

KitchenAid®

MICROWAVE OVEN WITH CONVECTION

Use & Care Guide

For questions about features, operation/performance, parts, accessories or service, call: **1-800-422-1230**,
or visit our website at www.kitchenaid.com/owners.

In Canada, for assistance, installation and service, call: **1-800-807-6777**, or visit our website at www.kitchenaid.ca/owners.

FOUR À MICRO-ONDES À CONVECTION

Guide d'utilisation et d'entretien

Pour des questions à propos des caractéristiques, du fonctionnement/rendement, des pièces, accessoires ou service,
composer le **1 800 422-1230**

ou visiter notre site Web au www.kitchenaid.com/owners.

Au Canada, pour assistance, installation ou service, composer le **1 800 807-6777**

ou visiter notre site Web au www.kitchenaid.ca/proprietaire.

HORNO MICROONDAS CON CONVECCIÓN

Manual de uso y cuidado

Si tiene preguntas sobre funciones, funcionamiento, rendimiento, piezas, accesorios o servicio técnico,
llame al: **1-800-422-1230**,

o bien, visite nuestro sitio web en www.kitchenaid.com/owners.

En Canadá, para obtener asistencia, instalación y servicio, llame al: **1-800-807-6777**,
o visite nuestro sitio web en www.kitchenaid.ca/owners.

TABLE OF CONTENTS

MICROWAVE OVEN SAFETY	4
INSTALLATION INSTRUCTIONS	6
Unpacking	6
Location Requirements	6
Electrical Requirements	6
PARTS AND FEATURES	7
Turntable.....	7
Grill Element	7
Convection Element and Fan.....	7
MICROWAVE OVEN CONTROL	8
Display	8
Standby mode.....	8
Start.....	8
Quick Start/Add 30 seconds.....	8
Stop/Unlock	8
To use Non-Sensor Menu	8
Clock	9
Tones ON/OFF.....	9
To use Sensor Menu	9
Timer.....	9
Cooking End.....	9
Keypad Instructions	10
MICROWAVE OVEN USE	14
Food Characteristics	14
Cooking Guidelines	14
Cookware and Dinnerware.....	15
Aluminum Foil and Metal	15
Cook	15
Popcorn.....	16
Reheat	16
Soften/Melt.....	16
Auto Defrost	17
Steam Clean.....	17
Keep Warm.....	17
Grill	17
Convection Bake/Roast	18
Air fryer	18
MICROWAVE OVEN CARE	19
General Cleaning.....	19
TROUBLESHOOTING	20
ASSISTANCE OR SERVICE	21
In the U.S.A.	21
In Canada	21
Replacement Parts.....	21
Built-In Kits	21

TABLE DES MATIÈRES

SÉCURITÉ DU FOUR À MICRO-ONDES	22
INSTRUCTIONS D'INSTALLATION	24
Déballage	24
Exigences d'emplacement.....	24
Spécifications électriques	24
PIÈCES ET CARACTÉRISTIQUES	25
Plateau rotatif	25
Élément du gril	25
Élément de cuisson par convection et ventilateur.....	25
COMMANDES DU FOUR À MICRO-ONDES	26
Affichage	26
Mode Veille.....	26
Start (Mise en marche)	26
Quick Start/Add 30 seconds.....	26
(Démarrage rapide/Ajouter 30 secondes).....	26
Stop/Unlock (Arrêt/Déverrouillage)	26
Utilisation du menu sans détection	26
Clock (Horloge).....	27
Tones ON/OFF (Signaux sonores de MARCHE/ARRÊT).....	27
Utilisation du menu avec détection	27
Timer (Minuterie).....	27
Fin de cuisson	27
Instructions du clavier	28
UTILISATION DU FOUR À MICRO-ONDES	32
Caractéristiques des aliments.....	32
Guide de cuisson	32
Ustensiles de cuisson et vaisselle	33
Papier d'aluminium et métal	33
Cook (Cuisson).....	33
Popcorn (Maïs à éclater)	34
Reheat (Réchauffage).....	34
Soften/Melt (Faire Ramollir/Fondre).....	34
Auto Defrost (Décongélation Automatique)	35
Steam Clean (Nettoyage à la Vapeur)	35
Keep Warm (Maintien au Chaud)	35
Grill (Gril).....	35
Cuisson au four/Rôtissage par convection	36
Air fryer (Friture à l'air)	36
ENTRETIEN DU FOUR À MICRO-ONDES	37
Nettoyage général	37
DÉPANNAGE	38
ASSISTANCE OU DÉPANNAGE	39
Aux É.-U.	39
Au Canada.....	39
Pièces de rechange.....	39
Trousses pour fours encastrés.....	39

ÍNDICE

SEGURIDAD DEL HORNO MICROONDAS	40
INSTRUCCIONES DE INSTALACIÓN	42
Desempaque	42
Requisitos de ubicación.....	42
Requisitos eléctricos.....	42
PIEZAS Y CARACTERÍSTICAS	43
Bandeja giratoria	43
Elemento de asado	43
Elemento de convección y ventilador.....	43
CONTROL DEL HORNO MICROONDAS	44
Pantalla.....	44
Modo Standby	44
Start (Inicio).....	44
Quick Start/ Add 30 seconds.....	44
(Inicio rápido/ Agregar 30 segundos).....	44
Stop/Unlock (Parar/Desbloquear).....	44
Para utilizar el menú sin sensor	44
Clock (Reloj)	45
Tones ON/OFF (ENCENDIDO/APAGADO de los tonos).....	45
Para utilizar el menú del sensor.....	45
Timer (Temporizador)	45
Fin de la cocción	45
Instrucciones del teclado	46
USO DEL HORNO MICROONDAS	50
Características de los alimentos.....	50
Pautas para cocinar	50
Utensilios de cocina y vajilla	51
Papel de aluminio y metal.....	51
Cook (Cocinar)	51
Popcorn (Palomitas de maíz).....	52
Reheat (Recalentar).....	52
Soften/Melt (Ablandar/Derretir).....	52
Descongelado Automático	53
Steam Clean (Limpieza con Vapor).....	53
Keep Warm (Mantener Caliente).....	53
Grill (Asar)	53
Hornear/Rostizar por convección.....	54
Air fryer (Freidora de aire).....	54
CUIDADO DEL HORNO MICROONDAS	55
Limpieza general	55
SOLUCIÓN DE PROBLEMAS	56
ASISTENCIA O SERVICIO TÉCNICO	57
En EE.UU.....	57
En Canadá.....	57
Piezas de repuesto.....	57
Juegos para empotrar.....	57

MICROWAVE OVEN SAFETY

Your safety and the safety of others are very important.

We have provided many important safety messages in this manual and on your appliance. Always read and obey all safety messages.



This is the safety alert symbol.

This symbol alerts you to potential hazards that can kill or hurt you and others.

All safety messages will follow the safety alert symbol and either the word "DANGER" or "WARNING."

These words mean:

⚠ DANGER

You can be killed or seriously injured if you don't immediately follow instructions.

⚠ WARNING

You can be killed or seriously injured if you don't follow instructions.

All safety messages will tell you what the potential hazard is, tell you how to reduce the chance of injury, and tell you what can happen if the instructions are not followed.

IMPORTANT SAFETY INSTRUCTIONS

When using electrical appliances basic safety precautions should be followed, including the following:

WARNING: To reduce the risk of burns, electric shock, fire, injury to persons, or exposure to excessive microwave energy:

- Read all instructions before using the microwave oven.
- Read and follow the specific "PRECAUTIONS TO AVOID POSSIBLE EXPOSURE TO EXCESSIVE MICROWAVE ENERGY" found in this section.
- The microwave oven must be grounded. Connect only to properly grounded outlet. See "GROUNDING INSTRUCTIONS" found in the "INSTALLATION INSTRUCTIONS" section.
- Install or locate the microwave oven only in accordance with the provided Installation Instructions.
- Some products such as whole eggs in the shell and sealed containers - for example, closed glass jars - are able to explode and should not be heated in the microwave oven.
- Use the microwave oven only for its intended use as described in the manual. Do not use corrosive chemicals or vapors in the microwave oven. This type of oven is specifically designed to heat, cook, or dry food. It is not designed for industrial or laboratory use.
- As with any appliance, close supervision is necessary when used by children.
- Do not operate the microwave oven if it has a damaged cord or plug, if it is not working properly, or if it has been damaged or dropped.
- The microwave oven should be serviced only by qualified service personnel. Call an authorized service company for examination, repair, or adjustment.
- Do not cover or block any openings on the microwave oven.
- Do not store this microwave oven outdoors. Do not use the microwave oven near water - for example, near a kitchen sink, in a wet basement, near a swimming pool, or similar locations.
- Do not immerse cord or plug in water.
- Keep cord away from heated surfaces.
- Do not let cord hang over edge of table or counter.
- See door surface cleaning instructions in the "Microwave Oven Care" section.
- To reduce the risk of fire in the oven cavity:
 - Do not overcook food. Carefully attend the microwave oven when paper, plastic, or other combustible materials are placed inside the oven to facilitate cooking.
 - Remove wire twist-ties from paper or plastic bags before placing bags in oven.
 - If materials inside the oven ignite, keep oven door closed, turn oven off, and disconnect the power cord, or shut off power at the fuse or circuit breaker panel.
 - Do not use the cavity for storage purposes. Do not leave paper products, cooking utensils, or food in the cavity when not in use.

SAVE THESE INSTRUCTIONS

IMPORTANT SAFETY INSTRUCTIONS

- Liquids, such as water, coffee, or tea are able to be overheated beyond the boiling point without appearing to be boiling. Visible bubbling or boiling when the container is removed from the microwave oven is not always present. THIS COULD RESULT IN VERY HOT LIQUIDS SUDDENLY BOILING OVER WHEN THE CONTAINER IS DISTURBED OR A SPOON OR OTHER UTENSIL IS INSERTED INTO THE LIQUID.

To reduce the risk of injury to persons:

- Do not overheat the liquid.
- Stir the liquid both before and halfway through heating it.
- Do not use straight-sided containers with narrow necks.
- After heating, allow the container to stand in the microwave oven for a short time before removing the container.
- Use extreme care when inserting a spoon or other utensil into the container.

SAVE THESE INSTRUCTIONS

PRECAUTIONS TO AVOID POSSIBLE EXPOSURE TO EXCESSIVE MICROWAVE ENERGY

- (a) Do not attempt to operate this oven with the door open since open-door operation can result in harmful exposure to microwave energy. It is important not to defeat or tamper with the safety interlocks.
- (b) Do not place any object between the oven front face and the door or allow soil or cleaner residue to accumulate on sealing surfaces.
- (c) Do not operate the oven if it is damaged. It is particularly important that the oven door close properly and that there is no damage to the:
 - (1) Door (bent),
 - (2) Hinges and latches (broken or loosened),
 - (3) Door seals and sealing surfaces.
- (d) The oven should not be adjusted or repaired by anyone except properly qualified service personnel.

This device complies with Part 18 of the FCC Rules.
This device complies with Industry Canada ICES-001.

INSTALLATION INSTRUCTIONS

Unpacking

1. Empty the microwave oven of any packing materials.
2. Clean the inside with a soft, damp cloth.
3. Check for damage, such as:
 - A door that is not lined up correctly,
 - Damage around the door, or
 - Dents on the interior or exterior of the microwave oven.If there is any damage, do not operate the microwave oven until a designated service technician has checked it and made any needed repairs.

NOTE: To avoid damage to the microwave oven, do not remove microwave inlet cover. See the "Parts and Features" section.

Location Requirements

⚠ WARNING

Excessive Weight Hazard

Use two or more people to move and install microwave oven.

Failure to do so can result in back or other injury.

IMPORTANT: The control side of the microwave oven is the heavy side. Handle the microwave oven gently. The weight of the microwave oven is over 35 lbs (15.9 kg).

- Place the microwave oven on a cart, counter, table, or shelf that is strong enough to hold the microwave oven and the food and utensils you place inside it.
- The microwave oven should be at a temperature above 50°F (10°C) for proper operation.

NOTE: Some models can be built into a wall or cabinet by using one of the trim kits listed in the "Assistance or Service" section.

- Install the microwave at a height of minimum 36" (91.4 cm) from floor.
- Do not block the exhaust vents or air intake openings. Allow a few inches of space at the back and side of the microwave oven where the exhaust vents are located. Blocking the exhaust vents could cause damage to the microwave oven as well as poor cooking results.
- Make sure the microwave oven legs are in place to ensure proper airflow. If vents are blocked, a sensitive thermal device may automatically turn the microwave oven off. The microwave oven should work properly once it has cooled.

Electrical Requirements

⚠ WARNING



Electrical Shock Hazard

Plug into a grounded 3 prong outlet.

Do not remove ground prong.

Do not use an adapter.

Do not use an extension cord.

Failure to follow these instructions can result in death, fire, or electrical shock.

Observe all governing codes and ordinances.

Required:

- A 120 V, 60 Hz, AC only, 15 A or 20 A electrical supply with a fuse or circuit breaker.

Recommended:

- A time-delay fuse or time-delay circuit breaker.
- A separate circuit serving only this microwave oven.

GROUNDING INSTRUCTIONS

■ For all cord connected appliances:

The microwave oven must be grounded. In the event of an electrical short circuit, grounding reduces the risk of electric shock by providing an escape wire for the electric current. The microwave oven is equipped with a cord having a grounding wire with a grounding plug. The plug must be plugged into an outlet that is properly installed and grounded.

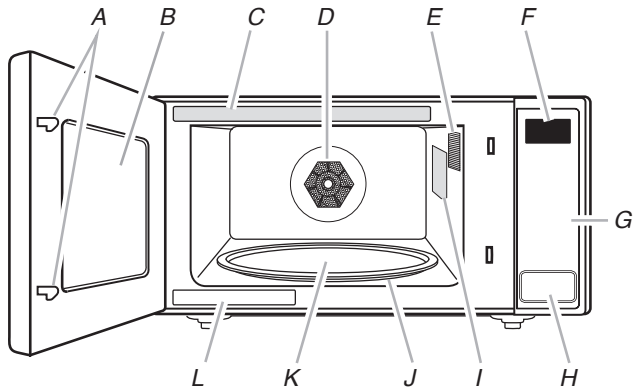
WARNING: Improper use of the grounding plug can result in a risk of electric shock. Consult a qualified electrician or serviceman if the grounding instructions are not completely understood, or if doubt exists as to whether the microwave oven is properly grounded.

Do not use an extension cord. If the power supply cord is too short, have a qualified electrician or serviceman install an outlet near the microwave oven. A short power supply cord is provided to reduce the risks resulting from becoming entangled in or tripping over a longer cord.

SAVE THESE INSTRUCTIONS

PARTS AND FEATURES

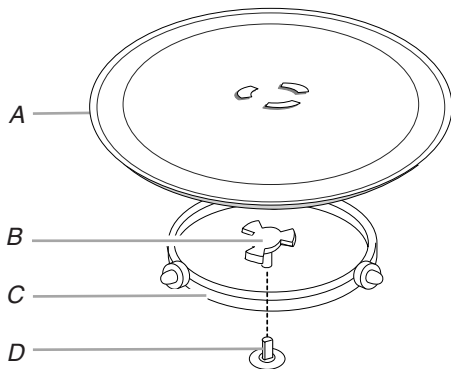
This manual may cover several different models. The model you have purchased may have some or all of the features shown here. The appearance of your particular model may differ slightly from the illustrations in this manual.



- | | |
|-------------------------------|----------------------------------|
| A. Door lock system | H. Door open door release button |
| B. Window | I. Microwave inlet cover* |
| C. Cooking guide label | J. Removable turntable support |
| D. Convection element and fan | K. Glass turntable |
| E. Microwave oven light | L. Model and serial number plate |
| F. Display | |
| G. Control panel | |
- Parts and Features
Not Shown: Grill element (on cavity ceiling)*

***NOTE:** To avoid damage to the microwave oven, do not remove microwave inlet cover. See the “Parts and Features” section.

Turntable



- A. Turntable
B. Hub
C. Support
D. Shaft

The turntable can rotate in either direction to help cook food more evenly. For best cooking results, do not operate the microwave oven without having the turntable in place. See the “Assistance or Service” section to reorder any of the parts.

To Install:

1. Place the support on the microwave oven cavity bottom.
2. Place the turntable on the support.

Fit the raised, curved wedges in the center of the turntable bottom between the three spokes of the hub. The rollers on the support should fit inside the turntable bottom ridge.

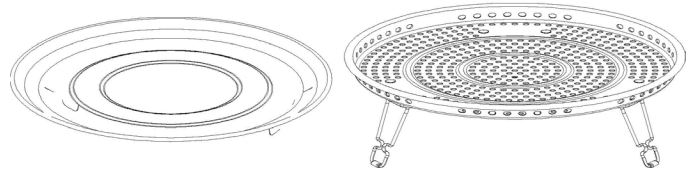
Grill Element

The microwave oven uses a cal rod thermal element for grilling. The microwave oven cavity and door will become hot. The use of oven mitts is recommended.

Convection Element and Fan

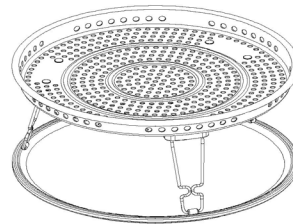
The microwave oven’s convection system is composed of a convection element which heats in conjunction with the convection fan for true convection cooking. The convection system is embedded in the wall of the microwave oven cavity, behind the screen. See the “Parts and Features” section. The microwave oven cavity and door will become hot. The use of oven mitts is recommended.

Grill and Convection Accessories

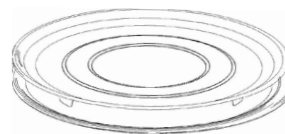


Accessory Configurations

Grilling

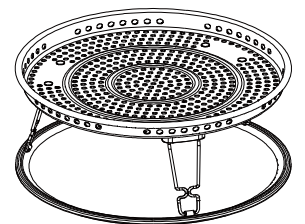


Baking

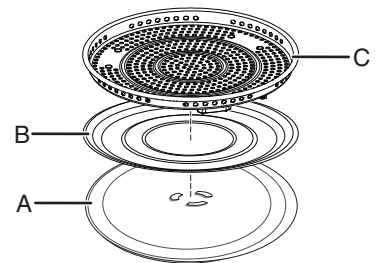


Baking Tray

Air Frying



Roasting



- A. Turntable
B. Baking Tray
C. Air Fryer Basket (without flipping out the legs) and put it on the top of the baking tray.

MICROWAVE OVEN CONTROL



Display

When power is first supplied to the microwave oven, “12 Hr” will appear in the display. User can press Timer/Clock button or “+/-” button to toggle between 12 Hr or 24 Hr within 10 seconds. Press Start button to confirm. If the “12:00” appears in the display at any other time, a power failure has occurred. Reset the clock if needed. See the “Clock” section.

Standby mode

When no functions are being used, the microwave oven will switch to Standby mode. After function selection, press the Stop/Unlock button to exit the function selection. If you again press the Stop/Unlock button it will be a invalid, as cooking mode is not activated. When cooking mode is activated and the user presses the Stop button, the Stop/Unlock functions will be triggered at the same time. Press the Stop/Unlock button again to cancel the function and return to Standby mode.

Start

The Start button begins any function. If non-sensor cooking is interrupted by opening the door, pressing Start button will resume the cycle.

NOTE: To avoid unintentional operation of the microwave oven, a cooking function cannot be started if the microwave oven door has been closed for about 1 minute. The word “door” will appear in the display until the door is opened and closed.

Quick Start/Add 30 seconds

In standby mode, pressing Start automatically starts the microwave oven at 100% power for 30 seconds and adds 30 seconds of cook time, with each additional touch of the control. Time may be added to any manual cooking cycle in 30 second increments, at the moment power level, by pressing Start button during cooking.

Stop/Unlock

The Stop/Unlock button clears any incorrect command and cancels any program during cooking. Press the Stop/Unlock button to stop the cycle. It will not erase the time of day.

The microwave oven will also turn off when the door is opened. Close the door and press Start to resume the cycle.

To use Non-Sensor Menu (Popcorn, Potato)

1. Place food on the turntable and close the door.
2. Touch desired menu control. The first programmed amount will appear in the display. Touch control keypad repeatedly or touch number keypads to change quantity.
3. Touch Start. When the cycle ends, “END” will appear in the display and the end-of-cycle tone will sound.
4. Touch Stop/Unlock or open the door to clear the display.

Clock

To Set:

The microwave oven must be in standby.

1. Press Timer/Clock button for 3 seconds to enter clock setting. It will also appear every time the product is plugged into the power source, or power is back after a power fail.
2. Press “+/-” button to set the hour.
3. Press Start button to confirm.
4. Press “+/-” button to set the minute.
5. Press Start button to confirm the setting.

Tones ON/OFF

This function allows the user to activate/deactivate all the sounds played by the appliances, includes button press, warnings, alarm, even end audio feedback.

Press Steam Clean button and hold for 5 seconds to put into mute, hold the button again for 5 seconds to turn on the sound. “This function can operate at any time” in Tones on/off function.

To use Sensor Menu (Reheat, Cook Menu)

1. Place food on the turn table and close the door.
2. Touch the desired menu control.
3. Touch Start, the running segment animation will appear in the display. The microwave oven will start and sensor cooking will begin.
The running segment will remain in the display until the sensor has determined the remaining cook time.



4. When the cycle end, “END” will appear in the display and the end-of-cycle tones will sound.
5. Touch Stop/Unlock or open the door to clear the display.

(NOTE: Sauce, Soup and Beverage in Reheat Menu, Potato in Cook Menu without using Sensor cooking).

Timer

To Set:

1. Press Timer/Clock button.
2. Press “+/-” button to enter desired time.
3. Press Start button. When the set time ends, the end-of-timer.
4. When the Timer countdown is achieved in the display, tone will sound. Press Stop/Unlock to stop the timer.

NOTE: The Timer does not start or stop the microwave oven. The function can be set only in Standby mode.

Cooking End

When the cooking is finished, the display will show the text “END”. A reminder acoustic beep will signal.

NOTE: If the cooking time is more than 2 minutes, after cooking end, the cooling fan and Forced Convection fan are ON for 3 minutes, cavity lamp is OFF, which is helping to cool down the component to have better quality.



1. After the Cooking End, If you press the Stop/Unlock button, takes out the food and closes the door again, the interface will display the clock, it will switch to 1-step door opening.
2. If you will not remove the food within 30 minutes, it will consistently display “END” for 30 minutes, and automatically return to standby mode and unlock after 30 minutes and it will switch to 1-step door opening.

Keypad Instructions

Keypad	Feature	Instructions
Timer (Clock Hold 3 Sec)	Hold to Set the Clock	<p>To set the clock, follow the instructions below:</p> <ol style="list-style-type: none"> 1. Press Timer for 3 seconds to enter clock setting. 2. Press the “+/-” button to set the hour, press the Start button to confirm. 3. Press the “+/-” button to set the minute. 4. Press Start button. <p>NOTE: The microwave oven must be in standby. It will also appear every time the product is plugged in. The screen shows “12 Hr” (“12” flashing), use “+/-” to change 12 or 24 hour format, press Start to confirm; then the screen shows “12:00”.</p>
Timer (Clock Hold 3 Sec)	Set Kitchen Timer	<p>The kitchen timer functions like a stop watch. To set the kitchen timer, following the instructions below:</p> <ol style="list-style-type: none"> 1. Press Timer button. 2. Press “+/-” button to enter desired time. 3. Press Start button. <p>NOTE: While the Timer countdown is active in the display, touch Stop/Unlock to stop the Timer. The timer does not start or stop the microwave oven.</p>
Start (Add 30 sec)	Add 30 Seconds	<p>The button Start can be used in two ways:</p> <ol style="list-style-type: none"> 1. To start the microwave by cooking for 30 seconds with full power in standby mode. 2. To increase a cooking time using increments of 30 seconds. Each press adds 30 seconds.
Start (Add 30 sec)	Start Function	<p>Press the Start button to start any cooking function. If cooking is interrupted by opening the door, touch the Start button after the door is closed again to resume the cycle.</p>
Stop (Unlock)	Microwave Pause/Stop Function	<p>The Stop/Unlock button stops any microwave oven function except for the clock. The microwave oven will also turn off when the door is opened. When the door is opened, the element(s) will turn off, but the microwave oven light will remain on. Close the door and touch the Start button to resume the preset cycle.</p>
Stop (Unlock)	2-Step Door Opening	<p>This microwave comes with the added feature of a 2-step door opening functionality to avoid unintended access. The Stop/Unlock button can be used to pause/cancel the function during or after cook time.</p> <p>The Stop/Unlock button can be used for 2-step door opening:</p> <ol style="list-style-type: none"> 1. Once you set the cooking time and press the Start button, the Door Lock icon will appear on the display. 2. To open the microwave: <ul style="list-style-type: none"> ■ Press Stop (Unlock). ■ Press door release button. <p>NOTE: Once you press the Stop/Unlock button to stop/pause any function, the Door Lock icon will disappear for 10 seconds and you will be able to press the door release button to open the door. The Door Lock icon will reappear after 10 seconds and require you to repeat steps 1 and 2 to open the door.</p> <p>NOTE: When the machine is powered on after plug-in, the 2-Step Door function will not be triggered. If a cooking cycle starts after the door closes, then 2 steps are required to open the door. Once the 2 steps have been used to open the door, if the door closes and no cooking power is applied, then you can open the door by just pressing the door release button.</p>

Keypad	Feature	Instructions
		<p>NOTE: This microwave comes with the added feature of a 2-step door opening functionality to avoid unintended access. When children do not have access to the appliance, there is a disable function if the 2-step functionality is not needed.</p> <p>Disable/Enable 2-step door function operation on the display</p> <p>Steps to disable the 2-step door function operation:</p> <ol style="list-style-type: none"> 1. After pressing the Stop/Unlock button for 3 seconds, "DI:_0" will show on the display. 2. After pressing the "+" button, "DI:_1" will show on the display. 3. Press the Start button to confirm. <p>NOTE: DI (Disable)</p> <p>NOTE: If you unplug the microwave, it will remember the last operation. You will not need to disable or enable the 2 step door function again.</p> <p>Steps to enable the 2-step door function operation:</p> <ol style="list-style-type: none"> 1. After pressing the Stop/Unlock button for 3 seconds, "EA:_0" will show on the display. 2. After pressing the "+" button, "EA:_1" will show on the display. 3. Press the Start button to confirm. <p>NOTE: EA (Enable)</p> <p>IMPORTANT: Disabling this feature should only be done when the owner is certain and children are not present.</p>
1 min-6 min	Quick Start	<p>Default power is full in this function (P100).</p> <p>"Press 1 min, 2 min... or 6 min to start with the time mentioned on the button."</p>
Cook Time	Set Manual Cooking	<p>Press "Cook Time" button to set manual cooking time. The default power level is 100%. Press "+/-" button/1 min-6 min to set the cooking time, follow the instruction below:</p> <ol style="list-style-type: none"> 1. Press "Cook Time" button, "0:15" will show on the display. 2. Press "+/-" button/1 min-6 min to adjust the cooking time. 3. Press Start button to start. <p>NOTE: Press the "Power" button to increase/decrease power levels in cyclic way P10 P20 P30.....P100.</p>
Cook Power	Set Manual Cooking	<p>Press "Cook Power" button to set manual power. The default power level is 100%. Press the "Cook Power" button or "+/-" button to change power level.</p> <p>For example, to set the time to 2:30 in 90% power:</p> <ol style="list-style-type: none"> 1. Press "Cook Power" button, P100 will show on the display. 2. Press-button to decrease power level to 90% (P90 on display). 3. Press Start button to confirm and jump to cooking time setting, default "0:15" will show on the display. 4. Press "+/-" button to adjust the cooking time to "2:30". 5. Press Start button. <p>NOTE: During the cooking process, the display will show to Turn or Add Food (for some food only), press the Stop/Unlock button to trigger the unlock function and add or turn the food using door release button to open the door. By pressing the Stop/Unlock button again will stop the cooking function and microwave oven will switch to Standby mode</p>
Popcorn	Popcorn	<p>To use the popcorn preset, follow the instructions below:</p> <ol style="list-style-type: none"> 1. Press "Popcorn" button repeatedly to select the bag size (3.0 or 3.5 oz). 2. Press Start button.

Keypad	Feature	Instructions
Defrost	Defrost Menu	<p>The Defrost function helps that frozen food. To defrost, follow the instructions below:</p> <ol style="list-style-type: none"> 1. Press “Defrost” button, P1 will show on display. 2. Press “Defrost” button or “+/-” button to select Manual Defrost, or the desired food class. P1 ... P4. 3. Press Start button to confirm. <p>P1-Manual Defrost:</p> <ol style="list-style-type: none"> 4. Default time “0:30” will show on the display. 5. Press “+/-” button to adjust defrost cooking time. 6. Press Start button. <p>P2-P4 Auto Defrost (Poultry, Meat, Fish):</p> <ol style="list-style-type: none"> 4. Display will show the default weight. 5. Press “+/-” button to adjust desired weight. 6. Press Start button.
Cook	Auto Cook Menu	<p>To use the auto cook presets, follow the instructions below:</p> <ol style="list-style-type: none"> 1. Press “Cook Menu” button, the “P1” will show on the display. 2. Use “+/-” button or “Cook Menu” to select a food category. 3. Press Start button. <p>NOTE: See the Cook section in this guide for the food category or reference sticker on the front plate of the microwaves.</p> <ol style="list-style-type: none"> 4. Sensor Cooking: A sensor in the microwave oven detects humidity released from the food as it heats and adjusts the cook time accordingly. (For non-sensor cooking, the display will show the default weight. Press “+/-” button to adjust desired weight. Press the Start button.)
Soften/Melt	Soften/Melt Menu	<p>The Soften/Melt function is used to soften/melt food. To use:</p> <ol style="list-style-type: none"> 1. Press “Soften/Melt” button, the display will show “P1”. 2. Use “Soften Menu” button or “+/-” button to select a food category, see the Soften Menu section in this guide for the food category or reference the sticker on the door of the microwave. Press Start button to confirm. 3. Use “+/-” button to adjust the quantity. 4. Press Start button.
Reheat	Automatic Reheat	<p>To reheat using preset functions, follow the instructions below:</p> <ol style="list-style-type: none"> 1. Press the “Reheat” button, the “P1” will show on the display. 2. Use “+/-” button or “Reheat” to select a food category. See the REHEAT section in this guide for the food category or reference sticker on the front plate of the microwaves. 3. Press Start button. 4. Sensor Cooking (except Sauce, Soup and Beverage): a sensor in the microwave oven detects humidity released from the food as it heats and adjusts the cook time accordingly. (When selecting Sauce, Soup and Beverage the display will show the default weight. Press “+/-” button to adjust desired weight. Press the Start button.)

Keypad	Feature	Instructions
Keep Warm	Keep Warm	<p>The function allows to keep your dishes warm. To use:</p> <ol style="list-style-type: none"> 1. Press “Keep Warm” button, default time “30:00” will show on the display. 2. Press “Keep Warm” or “+/-” button to select 15 minutes, 30 minutes, 45 minutes, or 60 minutes. 3. Press Start button. <p>NOTE: The Keep Warm cycle last for a duration of 15 minutes (default 30 minutes), the maximum time is 60 minutes. Each 15 minutes cycle, microwave will be turned on 1.5 minutes, then cavity lamp and fan are off, only the countdown time is shown.</p>
Air Fry	Air Fry cooking (use Air Fry accessory)	<p>Using with the air fryer accessory, the function allows to have air fry cooking. To use:</p> <ol style="list-style-type: none"> 1. Press “Air Fry”, the display will show “P1”. 2. Use “Air Fry” button or “+/-” button to select a food category, see the Air Fry section in this guide for the food category or reference the sticker the door of the microwave. Press Start button to confirm. <p>P1-Manual Air Fry:</p> <ol style="list-style-type: none"> 3. Default temperature “400°F” will show on the display. 4. Press “+/-” button to adjust cooking temperature. 5. Press Start button to confirm, the display will show default time “00:30”. 6. Press “+/-” button to adjust cooking time. 7. Press Start button. <p>P2-P8 Auto Air Fry Menu:</p> <ol style="list-style-type: none"> 3. Display will show the default weight/quantity. 4. Press “+/-” button to adjust desired weight. 5. Press Start button.
Bake/Roast	Baking (use baking plate)/ Roasting (use Air Fry accessory without flipping legs and put on the baking plate)	<p>This function allows to have Bake/Roast cooking. To use:</p> <ol style="list-style-type: none"> 1. Press “Bake/Roast”, the display will show “P1”. 2. Use “Bake/Roast” button or “+/-” button to select a food category, see the Bake/Roast section in this guide for the food category or reference the sticker on the door of the microwave. Press Start button to confirm. <p>P1-Manual Bake, P-8 Manual Roast:</p> <ol style="list-style-type: none"> 3. Default temperature “400°F” will show on the display. 4. Press “+/-” button to adjust cooking temperature. Press Start button to confirm. “Pre-heat” will display and flash on screen, waiting for the customer to confirm Pre-heating by pressing Start. <p></p> <ol style="list-style-type: none"> 5. After pressing Start to confirm, the animation will show on the display to indicate it is under Pre-heating. <p></p> <p>(NOTE: Customers can skip Pre-heating by pressing “+/-” key when “Pre-Heat” is flashing on the display, it will go to Cooking Time setting mode.)</p> <p>After the temperature is reached, the display will show “Add Food” to remind customers, after putting in the food and closing the door, the display will show the Cooking time mode.</p> <ol style="list-style-type: none"> 6. Press Start button to confirm, the display will show default time “00:30”. 7. Press “+/-” button to adjust cooking time. 8. Press Start button. <p>P2-P7 Auto Bake Menu, P9-P12 Auto Roast Menu</p> <ol style="list-style-type: none"> 3. Display will show the default weight/quantity. 4. Press “+/-” button to adjust desired weight. 5. Press Start button. <p>Note: When ADD FOOD comes to display after preheating temperature is reached, if the door is not open, the machine will keep warm for 30 minutes before going back to IDLE state. If the door is open, the user has to put in the food within 1 minute or it will go to IDLE state.</p>

Keypad	Feature	Instructions
Grill	Grill cooking (use Air Fry accessory)	The function allows to grill cooking. To use: <ol style="list-style-type: none"> 1. Press “Grill” button, default time “00:30” will show on the display. 2. Press “+/-” button to adjust cooking time. 3. Press Start button.
Steam Clean	Auto cleaning cycle	The cleaning cycle will help to clean the microwave oven cavity. <ol style="list-style-type: none"> 1. Place 1 cup of water (~250mL) on the middle of the cavity. 2. Press “Steam Clean” button, default “13:00” time will show on display. 3. Press Start button to start the function. After finishing the heat-up water cycle (3 minutes), the cavity lamp and fan will be off and display will show the countdown time. <p>NOTE: Please follow Tips and Suggestions in Steam Clean section. After heating up the water, cavity lamp and fan will be off and display will show the countdown time</p>
Tone ON/OFF	Turn on or off beep sound	The function allows to turn on or off the beep sound: <ol style="list-style-type: none"> 1. Press Steam Clean button and hold for 5 seconds to put into mute, the Tone Off icon will be shown on display. 2. Hold the button again for 5 seconds to turn on the sound.

MICROWAVE OVEN USE

A magnetron in the microwave oven produces microwaves which reflect off the metal floor, walls, and ceiling and pass through the turntable and appropriate cookware to the food. Microwaves are attracted to and absorbed by fat, sugar, and water molecules in the food, causing them to move, producing friction and heat which cooks the food.

- To avoid damage to the microwave oven, do not lean on or allow children to swing on the microwave oven door.
- To avoid damage to the microwave oven, do not operate microwave oven when it is empty.
- Baby bottles and baby food jars should not be heated in microwave oven.
- Clothes, flowers, fruit, herbs, wood, gourds, and paper, including brown paper bags and newspaper, should not be dried in the microwave oven.
- Paraffin wax will not melt in the microwave oven because it does not absorb microwaves.
- Use oven mitts or pot holders when removing containers from microwave oven.
- Do not overcook potatoes. At the end of the recommended cook time, potatoes should be slightly firm. Let potatoes stand for 5 minutes. They will finish cooking while standing.
- Do not cook or reheat whole eggs inside the shell. Steam buildup in whole eggs may cause them to burst, requiring significant cleanup of microwave oven cavity. Cover poached eggs and allow a standing time.

Food Characteristics

When microwave cooking, the amount, size and shape, starting temperature, composition and density of the food affect cooking results.

Amount of Food

The more food heated at once, the longer the cook time needed. Check for doneness and add small increments of time if necessary.

Size and Shape

Smaller pieces of food will cook more quickly than larger pieces, and uniformly shaped foods cook more evenly than irregularly shaped food.

Starting Temperature

Room temperature foods will heat faster than refrigerated foods, and refrigerated foods will heat faster than frozen foods.

Composition and Density

Foods high in fat and sugar will reach a higher temperature and will heat faster than other foods. Heavy, dense foods, such as meat and potatoes, require a longer cook time than the same size of a light, porous food, such as cake.

Cooking Guidelines

Covering

Covering food helps retain moisture, shorten cook time, and reduce spattering. Use the lid supplied with cookware. If a lid is not available, wax paper, paper towels, or plastic wrap approved for microwave ovens may be used. Plastic wrap should be turned back at one corner to provide an opening to vent steam. Condensation on the door and cavity surfaces is normal during heavy cooking.

Stirring and Turning

Stirring and turning redistribute heat evenly to avoid overcooking the outer edges of food. Stir from outside to center. If possible, turn food over from bottom to top.

Arranging

If heating irregularly shaped or different-sized foods, arrange the thinner parts and smaller-sized items toward the center. If cooking several items of the same size and shape, place them in a ring pattern, leaving the center of the ring empty.

Piercing

Before heating, use a fork or small knife to pierce or prick foods that have a skin or membrane, such as potatoes, egg yolks, chicken livers, hot dogs, and sausage. Prick in several places to allow steam to vent.

Shielding

Use small, flat pieces of aluminum foil to shield the thin pieces of irregularly shaped foods, bones and foods such as chicken wings, leg tips, and fish tails. See the “Aluminum Foil and Metal” section first.

Standing Time

Food will continue to cook by the natural conduction of heat even after the microwave cooking cycle ends. The length of standing time depends on the volume and density of the food.

Cookware and Dinnerware

Cookware and dinnerware must fit on the turntable. Always use oven mitts or pot holders when handling because any dish may become hot from heat transferred from the food. Do not use cookware and dinnerware with gold or silver trim. Use the following chart as a guide, then test before using.

Material	Recommendations
Aluminum Foil, Metal	See the "Aluminum Foil and Metal" section.
Browning Dish	Bottom must be at least 3/16" (5 mm) above the turntable. Follow manufacturer's recommendations.
Ceramic Glass, Glass	Acceptable for use
China, Earthenware	Follow manufacturer's recommendations.
Melamine	Follow manufacturer's recommendations.
Paper: Towels, Dinnerware, Napkins	Use non-recycled and those approved by the manufacturer for microwave oven use.
Plastic: Wraps, Bags, Covers, Dinnerware, Containers	Use those approved by the manufacturer for microwave oven use.
Pottery and Clay	Follow manufacturer's recommendations.
Silicone Bakeware	Follow manufacturer's recommendations.
Straw, Wicker, Wooden Containers	Do not use in microwave oven.
Wax Paper	Acceptable for use

To Test Cookware or Dinnerware for Microwave Use:

1. Place cookware or dinnerware in microwave oven with 1 cup (250 mL) of water beside it.
2. Cook at 100% cooking power for 1 minute.

Do not use cookware or dinnerware if it becomes hot and the water stays cool.

Aluminum Foil and Metal

Always use oven mitts or pot holders when removing dishes from the microwave oven.

Aluminum foil and some metal can be used in the microwave oven. If not used properly, arcing (a blue flash of light) can occur and cause damage to the microwave oven.

OK for Use

Racks and bakeware supplied with the microwave oven (on some models), aluminum foil for shielding, and approved meat thermometers may be used with the following guidelines:

- To avoid damage to the microwave oven, do not allow aluminum foil or metal to touch the inside cavity walls, ceiling, or floor.
- Always use the turntable.
- To avoid damage to the microwave oven, do not allow contact with another metal object during microwave cooking.

Do Not Use

Metal cookware and bakeware, gold, silver, pewter, non-approved meat thermometers, skewers, twist ties, foil liners such as sandwich wrappers, staples, and objects with gold or silver trim or a metallic glaze should not be used in the microwave oven.

For Use with Grill Element

Use the provided tall grill rack with an oven proof pan to catch the drippings.

For Use with Convection System

Use the provided short convection rack and an oven proof baking dish for convection baking.

Use the provided short convection rack and a microwave-safe, oven proof baking dish for convection roasting.

Cook

The microwave oven has been programmed with common microwave foods, their quantities, cook powers, and cook times. Use the following chart as a guide for preset cooking.

Item	Food Category	Quantity
P1	Potato-Large Enter 1-4 pieces, 8-10 oz (227-283 g) each. Pierce each potato several times with a fork. Place on paper towel on turntable center. Let stand 5 minutes after cooking.	1-4 pieces/ 1 piece
P2	Potato-Small Enter 1-16 pieces, 3-5 oz (85-141 g) each. Pierce each potato several times with a fork. Place on paper towel on turntable center. Let stand 5 minutes after cooking.	1-16 pieces/ 1 piece
P3	Fresh Vegetables From room temperature. Put food into microwave safe dish. Add 2 tablespoons water to 1-2 cups, add 4 tablespoons water to 3-4 cups. Cover the dish, leaving an air ventilation. Stir and let stand 2-3 minutes after cooking.	1-4 cups (Sensor cooking)
P4	Frozen Vegetables Place in microwave-safe container and add 2-4 tbs water. Cover with plastic wrap and vent. Stir and let stand 2-3 minutes after cooking.	1-4 cups (Sensor cooking)
P5	Oatmeal Place in microwave-safe container and add water depends on package directions adds water cover with plastic wrap and fold back one edge about 1/4" (6 mm) to make a vent. Place container in the center of the oven. After cooking stir with spoon or whisk until uniform.	1-4 cups/ (Sensor cooking)

P6	Frozen Entrée Remove entrée from package and loosen film covering on 3 sides of the container leaving one of the short sides still attached. Loosely cover with film. Allow the 10.5 and 20 oz (297 and 567 g) entrees to stand 3 minutes. Allow the 38 and 60 oz (1.1 and 1.7 kg) entrees to stand 5 minutes.	10 oz, 20 oz, 40 oz, 60 oz (283 g, 567 g, 1.1 kg, 1.7 kg)
----	--	--

Popcorn

3.0 or 3.5 oz bags.

- Do not use regular paper bags or glassware
- Pop only one package of popcorn at a time.
- Follow manufacturer's instructions when using a microwave popcorn popper.
- Listen for popping to slow to one pop every 1 or 2 seconds, and then stop the cycle.
- Do not reppop unpopped kernels.
- For best results, use fresh bags of popcorn.
- Cooking results may vary by brand and fat content.

NOTE: Follow the instructions provided by the microwave popcorn manufacture.

Reheat

Times and cooking powers have been preset for reheating a number of food types. Use the following chart as a guide.

Item	Food Category	Quantity
P1	Dinner plate Place food on plate. Cover with plastic wrap and vent. Let stand 2-3 minutes after reheating.	10-15 oz (283-425 g) (Sensor Cooking)
P2	Sauce Place in microwave-safe container. Cover with plastic wrap and vent. Stir and let stand 2-3 minutes after reheating.	1-4 cups
P3	Soup Place in microwave-safe container. Cover with plastic wrap and vent. Stir and let stand 2-3 minutes after reheating.	1-4 cups
P4	Beverage Do not cover.	1, 2, 3, 4 cups
P5	Reheat Pizza Place on paper towel lined microwave-safe plate.	1-3 sliced, 4 oz (113 g) per slice (Sensor cooking)

Soften/Melt

Soften function may be used to soften your food. Times and cooking powers have been preset for a number of food types. Use the following chart as a guide.

Item	Food Category	Quantity
P1	Soften Butter Unwrap and place in microwave-safe container.	0.5-2.0 sticks/0.5 stick
P2	Melt Butter Unwrap and place in microwave-safe container.	0.5-2.0 sticks/0.5 stick
P3	Soft Ice-cream Place ice-cream container on turntable.	16-64 oz/16 oz (454 g-1.8 kg/454 g)
P4	Soft Cream Cheese Unwrap and place in microwave-safe container.	3 oz, 8 oz (85 g, 227 g)
P5	Soften Brown Sugar place in microwave-safe container.	3 oz, 8 oz (85 g, 227 g)
P6	Soften Frozen Juice Remove lid.	8 oz, 12 oz (227 g, 340 g)
P7	Soften Caramel Dip Remove lid from caramel dip and place in center of microwave oven.	8 oz, 16 oz (227 g, 454 g)
P8	Melt Chocolate Chips Place in microwave-safe container place in center of microwave oven.	4-12 oz/4oz (113-340 g/113 g)
P9	Melt Cream Cheese Unwrap and place in microwave-safe container.	8 oz, 16 oz (227 g, 454 g)
P10	Melt Caramel Dip place in microwave-safe container.	8 oz, 16 oz (227 g, 454 g)

Auto Defrost

- For optimal result, food should be 0°F (-18°C) or colder when defrosting.
- Unwrap foods and remove lids (from fruit juice) before defrosting.
- Shallow packages will defrost more quickly than deep blocks.
- Separate food pieces as soon as possible during or at the end of the cycle for more even defrosting.
- Foods left outside the freezer for more than 20 minutes or frozen ready-made food should not be defrosted using the Defrost feature but should be defrosted manually.
- Use small pieces of aluminum foil to shield parts of food such as chicken wings leg tips, and fish tails. See the “Aluminum Foil and Metal” section first.
- Times and cooking powers have been preset for defrosting a number of food types.

Item	Food Category	Weight
P1 (Manual Defrost)	-	-
P2	Poultry	0.5 lbs-6.6 lbs/0.1 lbs
P3	Meat	0.5 lbs-6.6 lbs/0.1 lbs
P4	Fish	0.5 lbs-6.6 lbs/0.1 lbs

DEFROST PREPARATION CHART

POULTRY

Chicken: whole and cut up Cornish hens Turkey: breast	Place in a microwave safe container, chicken breast side up. Remove giblets from whole chicken.
--	---

MEAT

Beef: ground, steaks, roast, stew Lamb: stew and chops Pork: chops, ribs, roasts, sausage	The narrow or fatty areas of irregular-shaped cuts should be shielded with foil before defrosting. Do not defrost less than 1/4 lb (113 g) or two 4 oz (113 g) patties. Place all meats in a microwave-safe container.
--	--

FISH

Fillet, Steaks, Whole, Shellfish	Place in a microwave-safe container.
----------------------------------	--------------------------------------

Steam Clean

This automatic cleaning cycle will help you to clean the microwave oven cavity and to remove unpleasant odors.

Before starting the cycle:

1. Put 250 mL water into a container (see our recommendations in the below section “Tips and suggestions”).
2. Place the container directly on the middle of the cavity.

To Start The Cycle:

1. Press the Steam Clean button, the cleaning cycle duration will be visible on the display.
2. Press the Start button to start the function.

When The Cycle Is Finished:

1. Press the Stop/Unlock button.
2. Remove the container.
3. Use a soft cloth or a paper towel with mild detergent to clean the interior surfaces.

Tips and suggestions:

For a better cleaning result, it is recommended to use a container with a diameter of 17-20 cm, and a height that is lower than 6.5 cm.

It is recommended to use a container of light plastic material that is suitable for the microwave.

As the container will be hot after the cleaning cycle is completed, it is recommended to use a heat resistant glove when removing the container from the microwave.

For a better cleaning effect and removal of unpleasant odors, add some lemon juice or vinegar to the water.

Keep Warm

This function allows you to keep your dishes warm.

1. Touch “Keep Warm” button.
2. Press “+/-” button to select suitable time, then press Start button to start.
Default time is 30 minutes, maximum time is 60 minutes.

Food	Weight Container	Temperature	Container
Tuna Noodle Casserole	4 cups (880 g)	165°F (73.8°C)	Microwave safe dish

Grill

The Grill function uses a cal rod thermal element that heats quickly to grill a variety of foods.

- Use the Air Fry accessory to place food closer to the grill element for faster grilling.
- Oven cavity and door will become very hot during grill element use. The use of oven mitts is recommended.
- Use an oven proof pan to catch drippings.
- The Air Fry accessory and pan will become very hot. Use oven mitts to grasp pan for removal. To avoid damage, do not place hot pan directly on heat-sensitive surfaces.
- The turntable must be in place when using the Air Fry accessory.
- For best results, apply light amount of cooking oil to Air Fry accessory.

Examples of Grill Times.

Food	Weight Container	Temperature
Toast		
Sirloin steak	4 cups (880 g)	165°F (73.8°C)

To use:

1. Place Air Fry accessory securely on pan and place both on the turntable. Then position food on rack and close the door.
2. Touch Grill.
“00:30” will appear in the display. Enter the length of time to grill in minutes and seconds.
3. Touch Start.
Grill time will count down in the display.
When the cycle ends, “End” will appear in the display and the End-of-cycle tones will sound.
4. Touch Stop/Unlock or open the door to clear the display.

Convection Bake/Roast

The convection system circulates hot air through the microwave oven cavity with a fan. The constantly moving air surrounds the food to heat the outer portion quickly.

- The microwave oven cavity and door will become hot during the Convection Roast cycle. The use of oven mitts is recommended.
- Use the provided convection (short) rack.
- Do not cover turntable or convection rack with aluminum foil as it interferes with the circulation of hot air.
- Do not use light plastic containers, plastic wrap, or paper products.
All oven proof cookware or metal utensils can be used with the Convection Bake function.
(Round pizza pans are excellent cooking utensils for many convection only items.) Metal utensils cannot be used with the Convection Roast function.
- No special techniques are needed to adapt standard oven recipes to convection cooking, although some temperatures might need to be reduced and some cooking times might need to be shortened. Using convection pan, Bake/Roast function may be used to have convection cooking. Times and cooking powers have been preset for a number of food types. Use the following chart as a guide.

Item	Food Category	Quantity
P1	Manual Bake (with preheat) Use baking tray for this function.	
P2	Thin Crust Frozen Pizza Remove frozen pizza from packaging, put the pizza into the center of baking tray.	12 inch
P3	Thick Crust Frozen Pizza Remove frozen pizza from packaging, put the pizza into the center of baking tray.	12 inch
P4	Sugar Cookies Put the cookies mix in the center of baking tray (6 pieces about 1 batch).	1 batch
P5	Muffins Put the muffin-mix in cups, put them in the center of baking tray (7 pieces about 1 batch).	1 batch
P6	Fruit Pie Remove fresh pie from packaging, put the pie into the center of baking tray.	1 batch
P7	Layer Cake Put the cake mix with the container in the center of baking tray.	1 batch
P8	Manual Roast (with preheat) Use your Air Fry basket (without flipping legs over) and having baking tray under it.	
P9	Roast Whole Chicken Use your Air Fry basket (without flipping legs over) and having baking tray under it. Put salt and pepper inside of the chicken, add the bunch of thyme, halves of lemon, and garlic. Brush the surface of the chicken with the butter, salt and pepper. Place your favor veggies, like onions, carrots, etc in the air fry basket. Add salt, pepper, thyme, and olive oil, then place the chicken on top.	2-5 lb/0.5 lb

Item	Food Category	Quantity
P10	Roast Pork Loin Rub salt, pepper, garlic powder, onion powder, rosemary, paprika and thyme all over the pork loin. Put the Pork Loin into the Air Fry basket (without flipping legs over) and having baking tray under it; add your favor sauce, like honey, mustard, garlic, soy sauce, and olive oil, add vegetables, pumpkin, onion, pepper all around it.	2-4 lb/0.5 lb
P11	Roast Pork Tenderloin Roll a pork tenderloin in some salt and spices, or to create a paste of garlic and ginger to rub all over it. Put the Pork Tenderloin into the Air Fry basket (without flipping legs over) and having baking tray under it.	1-2 lb/0.5 lb
P12	Beef Roast Use your favor seasoning and rub all over on the roll of beef. Cut onion and carrot and put on the Air Fry basket with a baking tray under it. Put the beef on top of the vegetables and go for cooking.	2-4 lb/0.5 lb

For Manual Bake, to use Preheat:

- After you select the temperature, the 'Pre-heat' on the display will start blinking, press Start to confirm, the machine will start Preheating, once the desired temperature is reached, the end-of-preheat tone will sound.
- Press "+/-" to set cooking time directly.
- Press Start, convection bake time will count down in the display. When the cycle ends, 'End' will appear in the display and the end-of-cycle tones will sound.

For Manual Bake, to use Preheat:

- After you select the temperature, the 'Pre-heat' on the display will start blinking, just press "+/-" will skip Pre-heat and go to set cooking time directly.
- Press Start, convection bake time will count down in the display. When the cycle ends, 'End' will appear in the display and the end-of-cycle tones will sound.

Air fryer

Using with the air fryer accessory, the function allows to have air fry cooking. Times and cooking powers have been preset for a number of food types. Use the following chart as a guide.

Item	Food Category	Weight
P1	Manual Air Fry	
P2	Roast Potatoes	1-4 servings/1 serving (5 oz)
P3	Broccoli	1-4 servings/1 serving (3.3 oz)
P4	Asparagus	1-4 servings/1 serving (4 oz)
P5	Brussels Sprouts	1-4 servings/1 serving (4 oz)
P6	Chicken Nuggets	6-18 oz/4 oz
P7	Chicken Wings	8-20 oz/4 oz
P8	French Fries	1-4 servings/1 serving (2.5 oz)

MICROWAVE OVEN CARE

General Cleaning

IMPORTANT: Before cleaning, make sure all controls are off and the microwave oven is cool. Always follow label instructions on cleaning products.

Soap, water, and a soft cloth or sponge are suggested unless otherwise noted.

MICROWAVE OVEN CAVITY

To avoid damage to the microwave oven cavity, do not use soap-filled scouring pads, abrasive cleaners, steel-wool pads, gritty washcloths, or some recycled paper towels.

To avoid damage to stainless steel models, rub in direction of grain.

The area where the microwave oven door and frame touch when closed should be kept clean.

Average soil

- Mild, nonabrasive soaps and detergents:
Rinse with clean water and dry with soft, lint-free cloth.

Heavy soil

- Mild, nonabrasive soaps and detergents:
Heat 1 cup (250 mL) of water for 2 to 5 minutes in microwave oven. Steam will soften soil. Rinse with clean water and dry with soft, lint-free cloth.

Odors

- Lemon juice or vinegar:
Heat 1 cup (250 mL) of water with 1 tbs (15 mL) of either lemon juice or vinegar for 2 to 5 minutes in microwave oven.

Microwave Inlet Cover

To avoid arcing and microwave oven damage, the microwave inlet cover (see the “Parts and Features” section) should be kept clean.

- Wipe with wet cloth.

MICROWAVE OVEN DOOR AND EXTERIOR

The area where the microwave oven door and frame touch when closed should be kept clean.

- Mild, nonabrasive soaps and detergents:
Rinse with clean water and dry with soft, lint-free cloth.
- Glass cleaner and paper towels or nonabrasive plastic scrubbing pad:
Apply glass cleaner to towel, not directly to surface.

Stainless Steel (on some models)

To avoid damage to microwave oven door and exterior, do not use soap-filled scouring pads, abrasive cleaners, steel-wool pads, gritty washcloths, or some paper towels. Rub in direction of grain.

- Stainless steel cleaner (not included):
See “Assistance or Service” section to order.
- All-purpose cleaner:
Rinse with clean water and dry with soft, lint-free cloth.
- Vinegar for hard water spots

CONTROL PANEL

- Sponge or soft cloth and water:
Dampen sponge with water and wipe panel. Dry with soft cloth.
- To avoid damage to the control panel, do not use chemical or abrasive cleansers.

TURNTABLE

Replace turntable immediately after cleaning. Do not operate the microwave oven without the turntable in place.

- Mild cleanser and scouring pad
- Dishwasher

AIR FRY ACCESSORY

Dishwasher cleaning is recommended. To avoid damage to the convection and grill racks, do not use abrasive cleansers or scrubbers.

- Mild soap, water, and washcloth.

TROUBLESHOOTING

First try the solutions suggested here. If you need further assistance or more recommendations that may help you avoid a service call, refer to the warranty, or visit www.kitchenaid.com/owners, or in Canada www.kitchenaid.ca/owners.

Contact us by mail with any questions or concerns at the address below:

In the U.S.A.:

KitchenAid Brand Home Appliances
Customer eXperience Centre
553 Benson Road
Benton Harbor, MI 49022-2692

In Canada:

KitchenAid Brand Home Appliances
Customer eXperience Centre
220-6750 Century Ave.
Mississauga, Ontario L5N 0B7

Please include a daytime phone number in your correspondence.

If you experience	Recommended Solutions
Nothing will operate	<p>Check the following:</p> <ul style="list-style-type: none">■ Household fuse or circuit breaker: If a household fuse has blown or a circuit breaker has tripped, replace the fuse or reset the circuit breaker. If the problem continues, call an electrician.
Microwave oven will not operate	<p>Check the following:</p> <ul style="list-style-type: none">■ Magnetron: Try to heat 1 cup (250 mL) of cold water for 2 minutes at 100% cooking power. If water does not heat, try the steps in the bullets below. If microwave oven still does not operate, call for service.■ Door: Firmly close door. On some models, if a packaging spacer is attached to the inside of the door, remove it, then firmly close door. If a message about the door appears in the display, the door has been closed for 5 minutes or more without the microwave oven being started. This occurs to avoid unintended starting of the microwave oven. Open and close the door, then start the cycle.■ Stop (Unlock): Make sure Stop/Unlock is OFF. Make sure Demo mode (on some models) is OFF.
Microwave oven makes humming noise	<ul style="list-style-type: none">■ This is normal and occurs when the power supply in the magnetron cycles on.
Microwave oven door looks wavy	<ul style="list-style-type: none">■ This is normal and will not affect performance.
Turntable will not operate	<p>Check the following:</p> <ul style="list-style-type: none">■ Turntable: Make sure turntable is correct side up and is sitting securely on the turntable support. See the “Turntable” section.■ Turntable support: Remove turntable. Remove and clean turntable hub, support, and rollers. Replace hub, support, and turntable. Place 1 cup (250 mL) of water on the turntable, then restart microwave oven. If it still is not working, call for service. For information on warranty, please visit www.kitchenaid.com/owners, or in Canada www.kitchenaid.ca/owner. Do not operate the microwave oven without turntable and turntable support working properly.
Turntable alternates rotation directions	<ul style="list-style-type: none">■ This is normal and depends on motor rotation at the beginning of the cycle.
Display shows messages	<ul style="list-style-type: none">■ A flashing “0:00” means there has been a power failure. Reset the clock.
Display shows time countdown, but the microwave oven is not operating	<p>Check the following:</p> <ul style="list-style-type: none">■ Timer: See the “Timer” section.
Tones are not sounding	<p>Check the following:</p> <ul style="list-style-type: none">■ Tones: See the “Tones” section.
Cooking times seem too long	<p>Check the following:</p> <ul style="list-style-type: none">■ Cooking power: See the “Microwave Cooking Power” section.■ Amount of food: Larger amounts of food need longer cooking times.■ Voltage: Have a qualified electrician check the electrical system in the home.
Odor coming from microwave oven during convection and/or grill cooking	<ul style="list-style-type: none">■ This is normal for the first few convection and/or grill cycles. The odor will dissipate with repeated use.

If you experience	Recommended Solutions
Radio, TV, or cordless phone interference	<p>Check the following:</p> <ul style="list-style-type: none"> ■ Proximity: Move the receiver away from the microwave oven or adjust the radio or TV antenna. If the microwave oven is plugged into the same outlet, try a different outlet for the electronic device. ■ Soil: Make sure the microwave oven door and sealing surfaces are clean. ■ Frequency: Some 2.4 GHz based cordless phones and home wireless networks may experience static or noise while microwave oven is ON. Use a corded phone, a different frequency cordless phone, or avoid using these items during microwave oven operation.

ASSISTANCE OR SERVICE

If you need service:

For information on warranty, please visit www.kitchenaid.com/owners, or in Canada www.kitchenaid.ca/owners.

If you need replacement parts:

If you need to order replacement parts, we recommend that you use only factory specified parts. These factory specified parts will fit right and work right because they are made with the same precision used to build every new KitchenAid appliance.

To locate factory specified parts in your area, call us or your nearest KitchenAid designated service center.

In the U.S.A.

Call the KitchenAid Customer eXperience Center toll-free: **1-800-422-1230** or visit our website at www.kitchenaid.com/owners.

Our consultants provide assistance with:

- Scheduling of service. KitchenAid appliances designated service technicians are trained to fulfill the product warranty and provide after-warranty service anywhere in the United States.
- Features and specifications on our full line of appliances.
- Referrals to local KitchenAid appliance dealers.
- Installation information.
- Use and maintenance procedures.
- Accessory and repair parts sales.
- Specialized customer assistance (Spanish speaking, hearing impaired, limited vision, etc.).

For further assistance:

If you need further assistance, you can write to KitchenAid with any questions or concerns at:

KitchenAid Brand Home Appliances
Customer eXperience Center
553 Benson Road
Benton Harbor, MI 49022-2692

Please include a daytime phone number in your correspondence.

In Canada

Call the KitchenAid Customer eXperience Center toll-free: **1-800-807-6777** or visit our website at www.kitchenaid.ca/owners.

Our consultants provide assistance with:

- Scheduling of service. KitchenAid appliances designated service technicians are trained to fulfill the product warranty and provide after-warranty service anywhere in Canada.
- Features and specifications on our full line of appliances.
- Referrals to local KitchenAid appliance dealers.
- Use and maintenance procedures.
- Accessory and repair parts sales.

For further assistance:

If you need further assistance, you can write to KitchenAid with any questions or concerns at:

KitchenAid Brand Home Appliances
Customer eXperience Centre
200-6750 Century Ave.
Mississauga, Ontario L5N 0B7

Please include a daytime phone number in your correspondence.

Replacement Parts

Glass Turntable Part Number W11664466	Baking Tray Part Number W11664469
Turntable Support and Rollers Part Number W11664467	Air Fry Part Number W11664470
Turntable Hub Part Number W11664468	

Built-In Kits

This counter top microwave oven can be built in by using one of the following trim kits*. These kits are available from the dealer or can be ordered by kit model number. See the "Assistance or Service" section for the toll-free number.

Kit Size	Kit Model Numbers/Color
27" (68.6 cm)	MTK1527PZ
30" (76.2 cm)	MTK1530PZ

*The built-in trim kits can be installed over any (electric or gas) built-in wall oven, up to 30" (76.2 cm).

SÉCURITÉ DU FOUR À MICRO-ONDES

Votre sécurité et celle des autres est très importante.

Nous donnons de nombreux messages de sécurité importants dans ce manuel et sur votre appareil ménager. Assurez-vous de toujours lire tous les messages de sécurité et de vous y conformer.



Voici le symbole d'alerte de sécurité.

Ce symbole d'alerte de sécurité vous signale les dangers potentiels de décès et de blessures graves à vous et à d'autres.

Tous les messages de sécurité suivront le symbole d'alerte de sécurité et le mot "DANGER" ou "AVERTISSEMENT". Ces mots signifient :

⚠ DANGER

Risque possible de décès ou de blessure grave si vous ne suivez pas immédiatement les instructions.

⚠ AVERTISSEMENT

Risque possible de décès ou de blessure grave si vous ne suivez pas les instructions.

Tous les messages de sécurité vous diront quel est le danger potentiel et vous disent comment réduire le risque de blessure et ce qui peut se produire en cas de non-respect des instructions.

IMPORTANTES INSTRUCTIONS DE SÉCURITÉ

Lors de l'utilisation de tout appareil ménager électrique on doit observer certaines précautions de sécurité fondamentales, dont les suivantes :

AVERTISSEMENT : Pour réduire le risque de brûlures, de choc électrique, d'incendie, de blessures et l'exposition excessive à l'énergie des micro-ondes :

- Lire la totalité des instructions avant d'utiliser le four à micro-ondes.
- Lire et observer les instructions spécifiques de "PRÉCAUTIONS CONTRE LE RISQUE D'EXPOSITION EXCESSIVE À L'ÉNERGIE DES MICRO-ONDES" dans cette section.
- Le four à micro-ondes doit être relié à la terre. Brancher l'appareil uniquement sur une prise de courant convenablement reliée à la terre. Voir les "INSTRUCTIONS DE LIAISON À LA TERRE" présentées dans la section "INSTRUCTIONS D'INSTALLATION".
- Installer ou placer le four à micro-ondes uniquement selon les instructions d'installation fournies.
- Certains produits, comme les œufs entiers dans leur coquille et les récipients fermés - par exemple les bocaux en verre fermés - peuvent exploser et on ne doit pas les faire chauffer dans le four à micro-ondes.
- Utiliser le four à micro-ondes uniquement pour les applications auxquelles il est destiné, telles qu'elles sont décrites dans ce manuel. Ne pas utiliser de vapeurs ou de produits chimiques corrosifs dans le four à micro-ondes. Ce type de four est spécifiquement conçu pour chauffer, cuire ou sécher des aliments. Il n'est pas conçu pour des applications industrielles ou de laboratoire.
- Comme pour tout appareil ménager, les enfants ne devraient utiliser ce four que sous une supervision adéquate.
- Ne pas faire fonctionner le four à micro-ondes si le cordon d'alimentation ou la fiche de branchement est endommagé, s'il ne fonctionne pas correctement, s'il a subi des dommages ou s'il est tombé.
- Tous les travaux de service doivent être exécutés exclusivement par un personnel d'entretien qualifié. Contacter un centre de service autorisé pour les opérations d'inspection, de réparation ou de réglage.
- Ne pas couvrir ni obstruer toute ouverture sur le four à micro-ondes.
- Ne pas remiser ce four à micro-ondes à l'extérieur. Ne pas utiliser le four à micro-ondes à proximité d'eau - par exemple, près d'un évier de cuisine, dans un sous-sol humide ou près d'une piscine ou à un emplacement similaire.
- Ne pas immerger le cordon ou la fiche de branchement dans l'eau.
- Garder le cordon d'alimentation loin des surfaces chauffées.
- Ne pas laisser le cordon d'alimentation pendre sur le bord d'une table ou d'un comptoir.
- Voir les instructions de nettoyage de la surface de la porte à la section "Entretien du four à micro-ondes".
- Pour réduire le risque d'incendie dans la cavité du four :
 - Ne pas faire cuire les aliments excessivement. Surveiller attentivement le four à micro-ondes après y avoir placé des produits en papier, en plastique ou autres matériaux combustibles pour faciliter la cuisson des aliments.
 - Enlever les attaches métalliques des sachets en papier ou en plastique avant de placer de tels sachets dans le four.
 - En cas d'inflammation de matériaux placés à l'intérieur du four, maintenir la porte du four fermée, arrêter le four, débrancher le four, ou interrompre l'alimentation électrique au niveau du tableau de distribution (fusible ou disjoncteur).
 - Ne pas utiliser la cavité du four comme espace de rangement. Ne pas laisser dans le four des produits en papier, ustensiles de cuisine ou produits alimentaires, lorsqu'il n'est pas utilisé.

CONSERVEZ CES INSTRUCTIONS

IMPORTANTES INSTRUCTIONS DE SÉCURITÉ

■ Les liquides tels que l'eau, le café ou le thé peuvent trop chauffer - au-delà du point d'ébullition - sans sembler bouillir. Il n'y a pas toujours des bulles ou une ébullition lorsqu'on retire le récipient du four à micro-ondes. À CAUSE DE CECI, DES LIQUIDES TRÈS CHAUDS POURRAIENT DÉBORDER LORSQU'ON BOUGE LE RÉCIPIENT OU QUE L'ON UTILISE UNE CUILLÈRE OU UN AUTRE USTENSILE POUR LE REMUER.

Pour réduire le risque de blessures corporelles :

- Ne pas trop faire chauffer le liquide.
- Remuer le liquide avant et pendant le chauffage.
- Ne pas utiliser de récipients à parois droites avec des ouvertures étroites.
- Une fois chaud, laisser le récipient dans le four à micro-ondes un moment avant de le retirer.
- Faire très attention lorsqu'on utilise une cuillère ou un autre ustensile dans le récipient.

CONSERVEZ CES INSTRUCTIONS

PRÉCAUTIONS CONTRE LE RISQUE D'EXPOSITION EXCESSIVE À L'ÉNERGIE DES MICRO-ONDES

(a) Ne pas tenter de faire fonctionner ce four lorsque la porte est ouverte, car ceci pourrait susciter une exposition dangereuse à l'énergie des micro-ondes. Il est important de ne pas entraver le fonctionnement correct du dispositif de verrouillage de sécurité.

(b) Ne pas placer d'objet entre la surface avant du four et la porte, et ne jamais laisser des souillures ou résidus de produits de nettoyage s'accumuler sur les surfaces d'étanchéité.

(c) Ne pas faire fonctionner le four lorsqu'il est endommagé. Il est particulièrement important que la porte du four ferme convenablement et que les composants suivants ne soient pas endommagés :

- (1) Porte (déformation),
- (2) Charnières et dispositif de verrouillage (brisés ou desserrés),
- (3) Joints de porte et surfaces d'étanchéité.

(d) Seul un personnel d'entretien qualifié est habilité à exécuter des réparations ou réglages sur cet appareil.

Cet appareil est conforme à la norme FCC, partie 18.

Cet appareil est conforme à la norme ICES-001(B)/NMB-001 (B) d'Industrie Canada.

INSTRUCTIONS D'INSTALLATION

Déballage

1. Ôter du four à micro-ondes tous les matériaux d'emballage divers.
2. Nettoyer l'intérieur du four avec un chiffon doux humide.
3. Vérifier l'absence de dommages tels que :
 - porte qui n'est pas alignée correctement,
 - dommages autour de la porte, ou
 - bosses à l'intérieur ou à l'extérieur du four à micro-ondes.

En cas de dommage quelconque, ne pas faire fonctionner le four à micro-ondes avant qu'un technicien de service désigné n'ait vérifié le four et ait effectué les réparations nécessaires.

REMARQUE : Pour éviter les dommages au four à micro-ondes, ne pas enlever le capot d'orifice du four à micro-ondes. Consulter la section « Pièces et caractéristiques ».

Exigences d'emplacement

AVERTISSEMENT

Risque du poids excessif

Utiliser deux ou plus de personnes pour déplacer et installer le four à micro-ondes.

Le non-respect de cette instruction peut causer une blessure au dos ou d'autre blessure.

IMPORTANT : Le côté de l'appareil où se trouve la commande est le plus lourd. Manipuler le four à micro-ondes délicatement. Le poids du four à micro-ondes est supérieur à 35 lbs (15,9 kg).

- Placer le four à micro-ondes sur un chariot, un plan de travail, une table ou une tablette suffisamment solide pour supporter le four à micro-ondes ainsi que les aliments et ustensiles placés à l'intérieur.
- Le four à micro-ondes doit se trouver à une température supérieure à 50 °F (10 °C) pour un fonctionnement correct.

REMARQUE : Certains modèles peuvent être encastrés dans un mur ou une armoire à l'aide d'un des ensembles de finition mentionnés dans la section « Assistance ou dépannage ».

- Installer le four à micro-ondes à une hauteur de minimum 36 po (91,4 cm) du sol.
- Ne pas obstruer les conduits d'évacuation ou les ouvertures de prise d'air. Laisser quelques centimètres à l'arrière du four et sur le côté du micro-ondes à l'emplacement des conduits d'évacuation. L'obstruction des conduits d'évacuation peut entraîner des dommages au four à micro-ondes, de même que de médiocres résultats de cuisson.
- Veiller à ce que les pieds du four à micro-ondes soient bien en place pour assurer un flux d'air approprié. Si les événements sont obstrués, un dispositif de sécurité thermique sensible peut commander l'extinction automatique du four à micro-ondes. Le four à micro-ondes devrait fonctionner correctement une fois refroidi.

Spécifications électriques

AVERTISSEMENT



Risque de choc électrique

Brancher sur une prise à 3 alvéoles reliée à la terre ou 4 alvéoles reliée à la terre.

Ne pas enlever la broche de liaison à la terre.

Ne pas utiliser un adaptateur.

Ne pas utiliser un câble de rallonge.

Le non-respect de ces instructions peut causer un décès, un incendie ou un choc électrique.

Observer les dispositions de tous les codes et règlements en vigueur.

Exigences :

- Alimentation de 120 V, 60 Hz, CA seulement, et protégée par un fusible ou un disjoncteur temporisé de 15 A ou 20 A.

Recommandation :

- Fusible ou disjoncteur temporisé.
- Circuit distinct exclusif au four à micro-ondes.

INSTRUCTIONS DE LIAISON À LA TERRE

■ Pour tout appareil ménager connecté par un cordon de courant électrique :

Il faut que le four à micro-ondes soit relié à la terre. En cas de court-circuit électrique, la liaison à la terre réduit le risque de choc électrique car le courant électrique dispose d'un itinéraire direct d'acheminement à la terre. Le four à micro-ondes est doté d'un cordon de courant électrique qui comporte un fil de liaison à la terre, avec broche de liaison à la terre. On doit brancher la fiche sur une prise de courant convenablement installée et reliée à la terre.

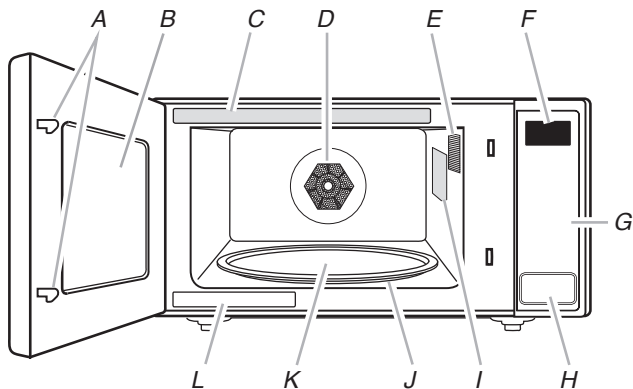
AVERTISSEMENT : L'utilisation incorrecte du dispositif de liaison à la terre peut susciter un risque de choc électrique. L'utilisateur qui ne comprend pas bien les instructions de liaison à la terre, ou qui n'est pas certain que le four à micro-ondes soit convenablement relié à la terre, devrait consulter un électricien ou un technicien qualifié.

Ne pas utiliser un câble de rallonge. Si le cordon de courant électrique est trop court, demander à un électricien ou un technicien qualifié d'installer une prise de courant à proximité du four à micro-ondes.

CONSERVEZ CES INSTRUCTIONS

PIÈCES ET CARACTÉRISTIQUES

Ce manuel peut couvrir plusieurs modèles différents. Le modèle acheté peut comporter certains (ou l'ensemble) des éléments présentés dans ce document. L'apparence de votre modèle peut différer légèrement des illustrations figurant dans ce manuel.

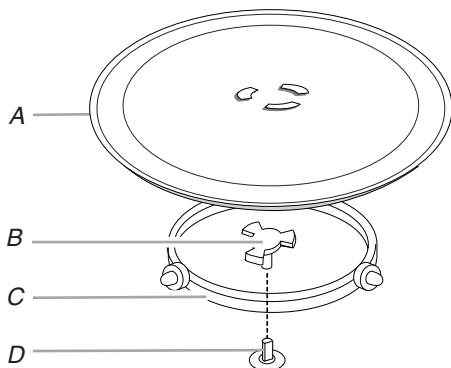


- | | |
|---|---|
| <p>A. Système de verrouillage de la porte</p> <p>B. Fenêtre</p> <p>C. Étiquette du guide de cuisson</p> <p>D. Élément de cuisson par convection et ventilateur</p> <p>E. Éclairage du four à micro-ondes</p> <p>F. Affichage</p> <p>G. Tableau de commande</p> <p>H. Bouton d'ouverture et de fermeture de la porte</p> | <p>I. Capot d'orifice du four à micro-ondes*</p> <p>J. Support du plateau rotatif amovible</p> <p>K. Plateau rotatif en verre</p> <p>L. Plaque signalétique des numéros de modèle et de série</p> |
|---|---|

Pièces et caractéristiques non illustrées : Élément de grill (au plafond de la cavité)

***REMARQUE :** Pour éviter les dommages au four à micro-ondes, ne pas enlever le capot d'orifice du four à micro-ondes. Consulter la section « Pièces et caractéristiques ».

Plateau rotatif



- A. Plateau rotatif
 B. Axe
 C. Support
 D. Tige

Le plateau rotatif peut tourner dans les deux sens pour permettre une cuisson plus uniforme. Pour de meilleurs résultats, ne pas faire fonctionner le four à micro-ondes lorsque le plateau rotatif est enlevé. Voir la section « Assistance ou service » pour commander de nouvelles pièces.

Installation :

1. Placer le support dans la cavité du bas du four à micro-ondes.
2. Placer le plateau rotatif sur le support.

Insérer les protubérances arrondies au centre du dessous du plateau rotatif entre les 3 rayons de l'axe. Les roulettes sur le support devraient se loger à l'intérieur du pourtour cranté du dessous du plateau rotatif.

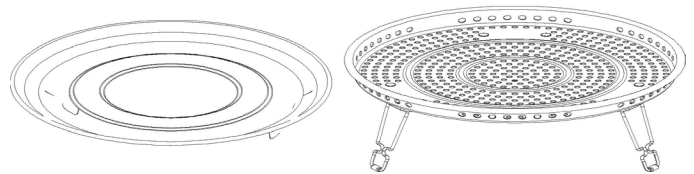
Élément du grill

Le four à micro-ondes utilise un élément de chauffage cal rod pour la cuisson au grill. La cavité du four à micro-ondes et la porte deviennent chaudes. L'utilisation de mitaines est recommandée.

Élément de cuisson par convection et ventilateur

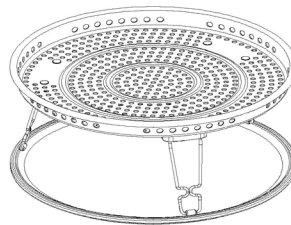
Le système de cuisson par convection du four à micro-ondes est composé d'un élément de convection, qui chauffe en conjonction avec le ventilateur de convection pour une véritable cuisson par convection. Le système de cuisson par convection est incrusté dans la paroi de la cavité du four à micro-ondes, derrière la grille. Consulter la section « Pièces et caractéristiques ». La cavité du four à micro-ondes et la porte deviennent chaudes. L'utilisation de mitaines est recommandée.

Accessoires de cuisson au grill et par convection

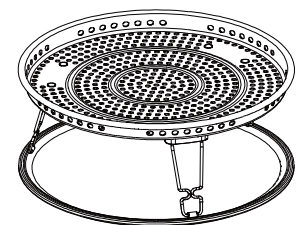


Configurations des accessoires

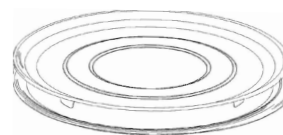
Cuisson au grill



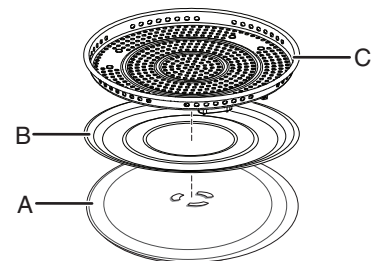
Friture à l'air



Cuisson au four



Rôtissage



Plaque de cuisson

- A. Plateau rotatif
 B. Plaque de cuisson
 C. Panier de friture à l'air (sans retourner les pattes) et le placer sur le dessus de la plaque de cuisson.

COMMANDES DU FOUR À MICRO-ONDES



Affichage

Lorsque l'alimentation électrique arrive au four à micro-ondes pour la première fois, « 12 Hr » clignote à l'affichage. L'utilisateur peut appuyer sur le bouton Timer/Clock (Minuterie/Horloge) ou sur le bouton « +/- » pour basculer entre 12 h ou 24 h dans les 10 secondes.

Appuyer sur le bouton Start (Mise en marche) pour confirmer. Si « 12:00 » apparaît à l'affichage en tout autre moment, cela signifie qu'il y a eu coupure de courant. Régler de nouveau l'horloge si nécessaire. Voir la section « Horloge ».

Mode Veille

Lorsqu'aucune fonction n'est utilisée, le four à micro-ondes passe en mode Veille.

Après la sélection de la fonction, appuyer sur le bouton Stop/Unlock (Arrêt/Déverrouillage) pour quitter la sélection de la fonction. Si on appuie de nouveau sur le bouton Stop/Unlock (Arrêt/Déverrouillage), le mode de cuisson n'est pas activé.

Lorsque le mode de cuisson est activé et que l'utilisateur appuie sur le bouton Stop (Arrêt), les fonctions Stop/Unlock (Arrêt/Déverrouillage) sont déclenchées en même temps. Appuyer de nouveau sur le bouton Stop/Unlock (Arrêt/Déverrouillage) pour annuler la fonction et revenir au mode veille.

Start (Mise en marche)

Le bouton Start (Mise en marche) met en marche n'importe quelle fonction. Si la cuisson sans détection est interrompue par l'ouverture de la porte, appuyer sur le bouton Start (Mise en marche) pour poursuivre le programme.

REMARQUE : Pour éviter l'utilisation involontaire du four à micro-ondes, il est impossible de lancer une fonction de cuisson si la porte du four à micro-ondes est restée fermée pendant 1 minute. Le mot « door » (porte) apparaît sur l'affichage jusqu'à ce que la porte soit ouverte, puis fermée.

Quick start/Add 30 seconds (Démarrage rapide/Ajouter 30 secondes)

En mode veille, appuyer sur Start (Mise en marche) allume le four à micro-ondes automatiquement à puissance maximale pendant 30 secondes, et ajoute 30 secondes de cuisson supplémentaire à chaque fois qu'on appuie à nouveau sur la commande. On peut prolonger la durée de cuisson d'un programme manuel par tranches de 30 secondes au niveau de puissance actuel en appuyant sur le bouton Start (Mise en marche) pendant la cuisson.

Stop/Unlock (Arrêt/Déverrouillage)

Le bouton Stop/Unlock (Arrêt/Déverrouillage) permet d'effacer toute commande invalide et d'annuler n'importe quel programme durant une cuisson. Appuyer sur le bouton Stop/Unlock (Arrêt/Déverrouillage) pour arrêter le programme. Cette fonction n'effacera pas l'heure.

Le four à micro-ondes s'arrête aussi lorsque la porte est ouverte. Fermer la porte et appuyer sur Start (Mise en marche) pour reprendre le programme.

Utilisation du menu sans détection (Popcorn, Potato [Maïs à éclater, pomme de terre])

1. Placer l'aliment sur le plateau rotatif et fermer la porte.
2. Appuyer sur la commande du menu souhaité. La première quantité programmée apparaît sur l'affichage. Appuyer à plusieurs reprises sur le bouton de commande ou appuyer sur les boutons numériques pour modifier la quantité.

3. Appuyer sur Start (Mise en marche). Lorsque le programme est terminé, « END » (FIN) apparaît sur l'afficheur, et les signaux de fin de programme retentissent.
4. Appuyer sur Stop/Unlock (Arrêt/Déverrouillage) ou ouvrir la porte pour effacer l'affichage.

Clock (Horloge)

Réglage :

Le four à micro-ondes doit être en mode de veille.

1. Appuyer sur le bouton Timer/Clock (Minuterie/Horloge) pendant 3 secondes pour accéder au réglage de l'horloge. Il apparaîtra également chaque fois que le produit est branché sur la source d'alimentation ou que l'alimentation est rétablie après une panne de courant.
2. Appuyer sur le bouton « +/- » pour régler l'heure.
3. Appuyer sur le bouton Start (Mise en marche) pour confirmer.
4. Appuyer sur le bouton « +/- » pour régler les minutes.
5. Appuyer sur le bouton Start (Mise en marche) pour confirmer le réglage.

Tones ON/OFF (Signaux sonores de MARCHÉ/ARRÊT)

Cette fonction permet à l'utilisateur d'activer/désactiver tous les sons joués par les appareils, y compris la pression de bouton, les avertissements, l'alarme et même la fin des signaux sonores.

Appuyer sur le bouton Steam Clean (Nettoyage à la Vapeur) pendant 5 secondes pour mettre en sourdine, l'appuyer à nouveau pendant 5 secondes pour activer le son.

« Cette fonction peut fonctionner à tout moment » dans la fonction d'activation/désactivation des signaux sonores.

Utilisation du menu avec détection

(Reheat, Cook Menu
[Menu Réchauffage, Cuisson])

1. Placer l'aliment sur le plateau rotatif et fermer la porte.
2. Appuyer sur la commande du menu souhaité.



3. Appuyer sur Start (Mise en marche), l'animation du segment en cours apparaîtra à l'écran. Le four à micro-ondes démarre et la cuisson par détection commence. Le segment en cours reste affiché jusqu'à ce que le capteur détermine la durée de cuisson restante.
4. Lorsque le programme est terminé, « END » (FIN) apparaît sur l'afficheur, et les signaux de fin de programme retentissent.
5. Appuyer sur Stop/Unlock (Arrêt/Déverrouillage) ou ouvrir la porte pour effacer l'affichage.

(REMARQUE : Sauce, soupe et boisson dans le menu Reheat [Réchauffage], pomme de terre dans le Menu Cook [Menu de Cuisson] sans utiliser la cuisson par détection).

Timer (Minuterie)

Réglage :

1. Appuyer sur le bouton Timer/Clock (Minuterie/Horloge).
2. Appuyer sur le bouton « +/- » pour entrer la durée désirée.
3. Appuyer sur le bouton Start (Mise en marche). Lorsque la durée réglée est écoulée, le signal sonore de fin de programme retentit.
4. Lorsque le compte à rebours de la minuterie est atteint sur l'afficheur, un signal sonore retentit. Appuyer sur Stop/Unlock (Arrêt/Déverrouillage) pour arrêter la minuterie.

REMARQUE : La minuterie ne se met pas en marche et n'arrête pas le four à micro-ondes. La fonction ne peut être définie qu'en mode veille.

Fin de cuisson

Une fois la cuisson terminée, « END » (FIN) s'affiche à l'écran. Un bip de rappel retentit.

REMARQUE : Si la durée de cuisson est supérieure à 2 minutes, après la fin de la cuisson, le ventilateur de refroidissement et le ventilateur de convection forcée sont allumés pendant 3 minutes, la lampe de la cavité est éteinte, ce qui aide à refroidir le composant pour obtenir une meilleure qualité.



1. Une fois la cuisson terminée, appuyer sur le bouton Stop/Unlock (Arrêt/Déverrouillage), sortir les aliments et refermer la porte pour que l'interface affiche l'horloge et que l'appareil passe à l'ouverture de la porte en une seule étape.
2. Si les aliments ne sont pas retirés dans les 30 minutes, l'appareil affichera en permanence « END » (FIN) pendant 30 minutes, reviendra automatiquement en mode veille, puis se déverrouillera au bout de 30 minutes et passera à l'ouverture de la porte en une seule étape.

Instructions du clavier

Bouton	Fonction	Instructions
Timer (Minuterie) (Clock Hold 3 Sec [Appuyer sur Horloge pendant 3 s])	Maintenir enfoncée pour régler l'horloge	Pour régler l'horloge, suivre les instructions suivantes : <ol style="list-style-type: none"> 1. Appuyer sur Timer (Minuterie) pendant 3 secondes pour accéder au réglage de l'horloge. 2. Appuyer sur le bouton « +/- » pour régler l'heure, appuyer sur le bouton Start (Mise en marche) pour confirmer. 3. Appuyer sur le bouton « +/- » pour régler les minutes. 4. Appuyer sur le bouton Start (Mise en marche). <p>REMARQUE : Le four à micro-ondes doit être en mode de veille. Il apparaîtra également chaque fois que le produit est branché. L'écran affiche « 12 h » (« 12 » clignotant), utiliser les boutons « +/- » pour changer le format 12 ou 24 heures, appuyer sur Start (Mise en marche) pour confirmer; puis l'écran affiche « 12:00 ».</p>
Timer (Minuterie) (Clock Hold 3 Sec [Appuyer sur Horloge pendant 3 s])	Réglage de la minuterie de cuisine	La minuterie fonctionne comme un chronomètre. Pour régler la minuterie de cuisine, suivre les instructions suivantes : <ol style="list-style-type: none"> 1. Appuyer sur le bouton Timer (Minuterie). 2. Appuyer sur le bouton « +/- » pour entrer la durée désirée. 3. Appuyer sur le bouton Start (Mise en marche). <p>REMARQUE : Si la minuterie est active sur l'affichage, appuyer sur Stop/Unlock (Arrêt/Déverrouillage) pour l'annuler. La minuterie ne se met pas en marche et n'arrête pas le four à micro-ondes.</p>
Start (Mise en marche) (Add 30 sec [Ajouter 30 s])	Ajouter 30 secondes	Le bouton Start (Mise en marche) peut être utilisé de deux façons : <ol style="list-style-type: none"> 1. Pour mettre en marche le four à micro-ondes en lançant une cuisson de 30 secondes à pleine puissance en mode veille. 2. Pour augmenter la durée de cuisson de 30 secondes. Chaque pression ajoute 30 secondes.
Start (Mise en marche) (Add 30 sec [Ajouter 30 s])	Fonction de mise en marche	Appuyer sur le bouton Start (Mise en marche) pour lancer une fonction de cuisson. Si la cuisson est interrompue en ouvrant la porte, appuyer sur le bouton Start (Mise en marche) une fois la porte refermée pour relancer le programme.
Stop (Arrêt) (Unlock [Déverrouillage])	Fonction pause/arrêt du four à micro-ondes	Le bouton Stop/Unlock (Arrêt/Déverrouillage) arrête toutes les fonctions du four à micro-ondes, sauf l'horloge. Le four à micro-ondes s'arrête aussi lorsque la porte est ouverte. Lorsque la porte est ouverte, l'élément ou les éléments s'arrêteront, mais l'ampoule du four à micro-ondes restera allumée. Fermer la porte et appuyer sur le bouton Start (Mise en marche) pour reprendre le programme pré-réglé.
Stop (Arrêt) (Unlock [Déverrouillage])	Ouverture de la porte en 2 étapes	Ce four à micro-ondes est doté d'une fonction supplémentaire d'ouverture de la porte en deux étapes afin d'éviter tout accès involontaire. Le bouton Stop/Unlock (Arrêt/Déverrouillage) peut être utilisé pour annuler la fonction pendant ou une fois la durée de cuisson terminée. <p>Le bouton Stop/Unlock (Arrêt/Déverrouillage) peut être utilisé pour l'ouverture de la porte en deux étapes :</p> <ol style="list-style-type: none"> 1. Une fois la durée de cuisson réglée et que le bouton Start (Mise en marche) a été enfoncé, l'icône Door Lock (Verrouillage de porte) apparaît à l'écran. 2. Pour ouvrir le micro-ondes : <ul style="list-style-type: none"> ■ Appuyer sur Stop (Arrêt) (Unlock [Déverrouillage]). ■ Appuyer sur le bouton d'ouverture de la porte. <p>REMARQUE : Après avoir appuyé sur le bouton Stop/Unlock (Arrêt/Déverrouillage) pour arrêter/mettre sur pause une fonction, l'icône de verrouillage de la porte disparaît pendant 10 secondes et il est possible d'appuyer sur le bouton d'ouverture de la porte pour l'ouvrir. L'icône de verrouillage de la porte réapparaît après 10 secondes et il est possible de répéter les étapes 1 et 2 pour ouvrir la porte.</p> <p>REMARQUE : Lorsque la machine est mise sous tension après avoir été branchée, la fonction de porte en deux étapes n'est pas déclenchée. Si un programme de cuisson démarre après la fermeture de la porte, deux étapes sont nécessaires pour ouvrir la porte. Une fois les deux étapes utilisées pour ouvrir la porte, si la porte se ferme et qu'aucune puissance de cuisson n'est appliquée, la porte pourra être ouverte en appuyant simplement sur le bouton d'ouverture de la porte.</p>

Bouton	Fonction	Instructions
		<p>REMARQUE : Ce four à micro-ondes est doté d'une fonction supplémentaire d'ouverture de la porte en deux étapes afin d'éviter tout accès involontaire. Si les enfants n'ont pas accès à l'appareil, il existe une fonction de désactivation si la fonctionnalité en deux étapes n'est pas nécessaire.</p> <p>Désactivation/activation de la fonction de porte en 2 étapes sur l'écran Étapes pour désactiver la fonction de porte en 2 étapes :</p> <ol style="list-style-type: none"> 1. Après avoir appuyé sur le bouton Stop/Unlock (Arrêt/Déverrouillage) pendant 3 secondes, l'écran affiche « DI:_0 ». 2. Après avoir appuyé sur le bouton « + », l'écran affiche « DI:_1 ». 3. Appuyer sur le bouton Start (Mise en marche) pour confirmer. <p>REMARQUE : DI (DÉSACTIVER)</p> <p>REMARQUE : Si le micro-ondes est débranché, il se souviendra de la dernière opération. Il ne sera pas nécessaire de désactiver ou d'activer à nouveau la fonction de porte en 2 étapes.</p> <p>Étapes pour activer la fonction de porte en 2 étapes :</p> <ol style="list-style-type: none"> 1. Après avoir appuyé sur le bouton Stop/Unlock (Arrêt/Déverrouillage) pendant 3 secondes, l'écran affiche « EA:_0 ». 2. Après avoir appuyé sur le bouton « + », l'écran affiche « EA:_1 ». 3. Appuyer sur le bouton Start (Mise en marche) pour confirmer. <p>REMARQUE : EA (ACTIVER)</p> <p>IMPORTANT : La désactivation de cette fonction ne doit être effectuée que lorsque le propriétaire est sûr de lui et qu'aucun enfant n'est présent.</p>
1 min-6 min	Démarrage rapide	<p>Pleine puissance par défaut dans cette fonction (P100). « Appuyer sur 1 min, 2 min... ou 6 min pour commencer avec la durée mentionnée sur le bouton ».</p>
Cook Time (Durée de Cuisson)	Réglage manuel de cuisson	<p>Appuyer sur le bouton « Cook Time » (Durée de Cuisson) pour régler la durée de cuisson manuel. Le niveau de puissance par défaut est de 100 %. Appuyer sur le bouton « +/- », 1 min-6 min pour régler la durée de cuisson, suivre les instructions suivantes :</p> <ol style="list-style-type: none"> 1. Appuyer sur le bouton « Cook Time » (Durée de Cuisson), « 0:15 » s'affiche à l'écran. 2. Appuyer sur le bouton « +/- », 1 min-6 min pour régler la durée de cuisson. 3. Appuyer sur le bouton Start (Mise en marche) pour commencer. <p>REMARQUE : Appuyer sur le bouton « Power » (Puissance) pour augmenter/diminuer les niveaux de puissance de manière cyclique P10, P20, P30.....P100.</p>
Cook Power (Puissance de Cuisson)	Réglage manuel de cuisson	<p>Appuyer sur le bouton « Cook Power » (Puissance de Cuisson) pour régler la puissance manuelle. Le niveau de puissance par défaut est de 100 %. Appuyer sur le bouton « Cook Power » (Puissance de Cuisson) ou sur le bouton « +/- » pour changer le niveau de puissance.</p> <p>Par exemple, pour régler la minuterie à 2:30 et la puissance à 90 %.</p> <ol style="list-style-type: none"> 1. Appuyer sur le bouton « Cook Power » (Puissance de Cuisson), P100 s'affiche à l'écran. 2. Appuyer sur le bouton pour réduire le niveau de puissance à 90 % (P90 à l'écran). 3. Appuyer sur le bouton Start (Mise en marche) pour confirmer et passer au réglage de la durée de cuisson, « 0:15 » par défaut s'affiche à l'écran. 4. Appuyer sur le bouton « +/- » pour régler la durée de cuisson sur « 2:30 ». 5. Appuyer sur le bouton Start (Mise en marche). <p>REMARQUE : Pendant la cuisson, l'écran indique lorsqu'il faut retourner ou ajouter des aliments (pour certains aliments seulement), appuyer sur le bouton Stop/Unlock (Arrêt/Déverrouillage) pour déclencher la fonction de déverrouillage et ajouter ou retourner les aliments en utilisant le bouton d'ouverture de la porte pour ouvrir la porte. En appuyant à nouveau sur le bouton Stop/Unlock (Arrêt/Déverrouillage), la fonction de cuisson s'arrête et le four à micro-ondes passe en mode veille.</p>
Popcorn (Maïs à éclater)	Maïs à éclater	<p>Pour utiliser le pré-réglage de maïs à éclater, suivre les instructions suivantes :</p> <ol style="list-style-type: none"> 1. Appuyer plusieurs fois sur le bouton « Popcorn » (Maïs à éclater) pour sélectionner la taille du sac (3,0 ou 3,5 oz). 2. Appuyer sur le bouton Start (Mise en marche).

Bouton	Fonction	Instructions
Defrost (Décongélation)	Menu de décongélation	<p>La fonction de décongélation aide avec les aliments surgelés. Pour décongeler, suivre les instructions ci-dessous :</p> <ol style="list-style-type: none"> Appuyer sur le bouton « Defrost » (Décongélation); P1 s'affiche à l'écran. Appuyer sur le bouton « Defrost » (Décongélation) ou sur le bouton « +/- » pour sélectionner la décongélation manuelle ou la catégorie d'aliments souhaitée. P1... P4. Appuyer sur le bouton Start (Mise en marche) pour confirmer. <p>P1 – Manual Defrost (Décongélation Manuelle) :</p> <ol style="list-style-type: none"> La durée par défaut « 0:30 » s'affiche à l'écran. Appuyer sur le bouton « +/- » pour régler la durée de décongélation. Appuyer sur le bouton Start (Mise en marche). <p>P2-P4 Décongélation Automatique (volaille, viande, poisson) :</p> <ol style="list-style-type: none"> Le poids par défaut s'affiche à l'écran. Appuyer sur le bouton « +/- » pour régler le poids souhaité. Appuyer sur le bouton Start (Mise en marche).
Cook (Cuisson)	Menu de cuisson automatique	<p>Pour utiliser les prééglages de cuisson automatique, suivre les instructions suivantes :</p> <ol style="list-style-type: none"> Appuyer sur le bouton « Cook Menu » (Menu de Cuisson), « P1 » s'affiche à l'écran. Utiliser le bouton « +/- » ou « Cook Menu » (Menu de Cuisson) pour sélectionner une catégorie d'aliments. Appuyer sur le bouton Start (Mise en marche). <p>REMARQUE : Consulter la section Cuisson de ce guide pour connaître la catégorie d'aliments ou l'autocollant de référence sur la plaque avant du four à micro-ondes.</p> <ol style="list-style-type: none"> Cuisson par détection : Un capteur dans le four à micro-ondes détecte l'humidité dégagée par l'aliment au fur et à mesure qu'il chauffe et règle automatiquement la durée de cuisson en conséquence. (Pour la cuisson sans détection, le poids par défaut à l'écran. Appuyer sur le bouton « +/- » pour régler le poids souhaité. Appuyer sur le bouton Start [Mise en marche].)
Soften/Melt (Faire Ramollir/Fondre)	Menu Faire Ramollir/Fondre	<p>La fonction Soften/Melt (Faire Ramollir/Fondre) est utilisée pour faire ramollir ou fondre des aliments. Utilisation :</p> <ol style="list-style-type: none"> Appuyer sur le bouton « Soften/Melt » (Faire Ramollir/Fondre), « P1 » s'affiche à l'écran. Utiliser le bouton « Soften Menu » (Menu pour Faire Ramollir) ou le bouton « +/- » pour sélectionner une catégorie d'aliments, consulter la section Menu pour faire ramollir de ce guide pour la catégorie d'aliments ou consulter l'autocollant sur la porte du four à micro-ondes. Appuyer sur le bouton Start (Mise en marche) pour confirmer. Utiliser le bouton « +/- » pour modifier la quantité. Appuyer sur le bouton Start (Mise en marche).
Reheat (Réchauffage)	Réchauffage automatique	<p>Pour réchauffer en utilisant les fonctions prééglées, suivre les instructions ci-dessous :</p> <ol style="list-style-type: none"> Appuyer sur le bouton « Reheat » (Réchauffage), « P1 » s'affiche à l'écran. Utiliser le bouton « +/- » ou « Reheat » (Réchauffage) pour sélectionner une catégorie d'aliments. Consulter la section RÉCHAUFFAGE de ce guide pour connaître la catégorie d'aliments ou l'autocollant de référence sur la plaque avant du four à micro-ondes. Appuyer sur le bouton Start (Mise en marche). <p>Cuisson par détection (sauf sauce, soupe et boisson) : un capteur dans le four à micro-ondes détecte l'humidité dégagée par l'aliment au fur et à mesure qu'il chauffe et règle automatiquement la durée de cuisson en conséquence. (Lors de la sélection de Sauce, Soupe et Boisson, l'écran affiche le poids par défaut. Appuyer sur le bouton « +/- » pour régler le poids souhaité. Appuyer sur le bouton Start [Mise en marche]).</p>

Bouton	Fonction	Instructions
Keep Warm (Maintien au Chaud)	Maintien au Chaud	<p>Cette fonction permet de garder les plats au chaud. Utilisation :</p> <ol style="list-style-type: none"> Appuyer sur le bouton « Keep Warm » (Maintien au Chaud), la durée par défaut « 30:00 » s'affiche à l'écran. Appuyer sur « Keep Warm » (Maintien au Chaud), ou sur le bouton « +/- » pour sélectionner 15 minutes, 30 minutes, 45 minutes ou 60 minutes. Appuyer sur le bouton Start (Mise en marche). <p>REMARQUE : Le programme de maintien au chaud dure 15 minutes (30 minutes par défaut), la durée maximale est de 60 minutes. Pour chaque programme de 15 minutes, le micro-ondes s'allume pendant 1,5 minute, puis la lampe de la cavité et le ventilateur s'éteignent; seul le compte à rebours s'affiche.</p>
Air Fry (Friture à l'air)	Cuisson de friture à l'air (utiliser l'accessoire de friture à l'air)	<p>En utilisant l'accessoire de friture à l'air, la fonction permet d'avoir une cuisson de type friture à l'air. Utilisation :</p> <ol style="list-style-type: none"> Appuyer sur « Air Fry » (Friture à l'air), « P1 » s'affiche à l'écran. Utiliser le bouton « Air Fry » (Friture à l'air) ou le bouton « +/- » pour sélectionner une catégorie d'aliments, consulter la section Friture à l'air de ce guide pour la catégorie d'aliments ou consulter l'autocollant sur la porte du four à micro-ondes. Appuyer sur le bouton Start (Mise en marche) pour confirmer. <p>P1- Friture à l'air manuelle :</p> <ol style="list-style-type: none"> La température par défaut « 400 °F » s'affiche à l'écran. Appuyer sur le bouton « +/- » pour régler la température de cuisson. Appuyer sur le bouton Start (Mise en marche) pour confirmer; la durée « 00:30 » s'affiche à l'écran. Appuyer sur le bouton « +/- » pour régler la durée de cuisson. Appuyer sur le bouton Start (Mise en marche). <p>P2-P8 Menu de friture à l'air :</p> <ol style="list-style-type: none"> Le poids/la quantité par défaut s'affiche à l'écran. Appuyer sur le bouton « +/- » pour régler le poids souhaité. Appuyer sur le bouton Start (Mise en marche). <p>Cette fonction permet d'avoir une cuisson au four/rôtissage. Utilisation :</p> <ol style="list-style-type: none"> Appuyer sur « Bake/Roast » (Cuisson au Four/Rôtissage); « P1 » s'affiche à l'écran. Utiliser le bouton « Bake/Roast » (Cuisson au Four/Rôtissage) ou le bouton « +/- » pour sélectionner une catégorie d'aliments, consulter la section Cuisson au four/rôtissage de ce guide pour la catégorie d'aliments ou consulter l'autocollant sur la porte du four à micro-ondes. Appuyer sur le bouton Start (Mise en marche) pour confirmer. <p>P1- Cuisson au four manuelle, P-8 Rôtissage manuel :</p> <ol style="list-style-type: none"> La température par défaut « 400 °F » s'affiche à l'écran. Appuyer sur le bouton « +/- » pour régler la température de cuisson. Appuyer sur le bouton Start (Mise en marche) pour confirmer. « Pre-heat » (Préchauffage) s'affiche et clignote à l'écran, attendant que le client confirme le préchauffage en appuyant sur Start (Mise en marche). <p></p> <ol style="list-style-type: none"> Après avoir appuyé sur Start (Mise en marche) pour confirmer, l'animation s'affiche à l'écran pour indiquer qu'il est en mode de préchauffage. <p></p> <p>(REMARQUE : Les clients peuvent ignorer le préchauffage en appuyant sur le bouton « +/- » lorsque « Pre-Heat » (Préchauffage) clignote à l'écran, il passera en mode de réglage de la durée de cuisson.) Une fois la température atteinte, « Add Food » (Ajouter des aliments) s'affiche à l'écran pour rappeler aux clients et après avoir mis les aliments et fermé la porte, le mode de la durée de cuisson s'affiche à l'écran.</p> <ol style="list-style-type: none"> Appuyer sur le bouton Start (Mise en marche) pour confirmer; la durée « 00:30 » s'affiche à l'écran. Appuyer sur le bouton « +/- » pour régler la durée de cuisson. Appuyer sur le bouton Start (Mise en marche). <p>P2-P7 Menu de cuisson automatique, P9-P12 Menu de rôtissage automatique</p> <ol style="list-style-type: none"> Le poids/la quantité par défaut s'affiche à l'écran. Appuyer sur le bouton « +/- » pour régler le poids souhaité. Appuyer sur le bouton Start (Mise en marche). <p>Remarque : Lorsque ADD FOOD (AJOUTER LES ALIMENTS) s'affiche après que la température de préchauffage est atteinte, si la porte n'est pas ouverte, le four reste chaud pendant 30 minutes avant de revenir à l'état VEILLE. Si la porte est ouverte, l'utilisateur doit mettre la nourriture dans le four dans 1 minute ou le four passera à l'état VEILLE.</p>
Bake/Roast (Cuisson au Four/Rôtissage)	Cuisson (utiliser une plaque de cuisson)/Rôtissage (utiliser l'accessoire de friture à l'air sans retourner les pattes et les placer sur la plaque de cuisson)	

Bouton	Fonction	Instructions
Grill (Gril)	Cuisson au gril (utiliser l'accessoire de friture à l'air)	La fonction permet la cuisson au gril. Utilisation : <ol style="list-style-type: none"> 1. Appuyer sur le bouton « Grill » (Gril), la durée par défaut « 00:30 » s'affiche à l'écran. 2. Appuyer sur le bouton « +/- » pour régler la durée de cuisson. 3. Appuyer sur le bouton Start (Mise en marche).
Steam Clean (Nettoyage à la Vapeur)	Programme de nettoyage automatique	Le programme de nettoyage permet de décoller les saletés dans la cavité du four à micro-ondes. <ol style="list-style-type: none"> 1. Placer 1 tasse d'eau (~ 250 ml) au milieu de la cavité. 2. Appuyer sur le bouton « Steam Clean » (Nettoyage à la Vapeur); la durée par défaut « 13:00 » s'affiche à l'écran. 3. Appuyer sur le bouton Start (Mise en marche) pour démarrer la fonction. Après avoir terminé le programme de chauffage de l'eau (3 minutes); la lampe de la cavité et le ventilateur s'éteignent et le compte à rebours s'affiche à l'écran. <p>REMARQUE : Suivre les conseils et suggestions de la section Steam Clean (Nettoyage à la Vapeur). Après avoir chauffé l'eau, la lampe de la cavité et le ventilateur s'éteignent et le compte à rebours s'affiche à l'écran.</p>
Tone ON/OFF (Signaux sonores de MARCHÉ/ARRÊT)	Pour mettre en marche ou éteindre les bips	La fonction permet d'activer ou de désactiver le bip : <ol style="list-style-type: none"> 1. Appuyer sur le bouton Steam Clean (Nettoyage à la Vapeur) pendant 5 secondes pour mettre en sourdine; l'icône des signaux sonores s'affiche à l'écran. 2. Appuyer sur le bouton de nouveau pendant 5 secondes pour désactiver le son.

UTILISATION DU FOUR À MICRO-ONDES

Un magnétron dans le four produit des micro-ondes qui rebondissent sur le plancher, les parois et la voûte en métal et passent à travers le plateau rotatif et les ustensiles de cuisson appropriés pour atteindre l'aliment. Les micro-ondes sont attirées et absorbées par le gras, le sucre et les molécules d'eau des aliments, elles font bouger ces molécules, ce qui produit la friction et la chaleur qui fait cuire les aliments.

- Afin d'éviter d'endommager le four à micro-ondes, ne pas laisser les enfants s'appuyer sur la porte du four à micro-ondes ou s'y balancer.
- Afin d'éviter d'endommager le four à micro-ondes, ne pas le faire fonctionner lorsqu'il est vide.
- Les biberons et les petits pots d'aliments pour bébé ne doivent pas être chauffés dans le four à micro-ondes.
- Les vêtements, fleurs, fruits, herbes, bois, gourdes, papiers, y compris les sacs en papier d'emballage et les journaux ne doivent pas être séchés dans le four à micro-ondes.
- La paraffine ne fondra pas dans le four, car elle n'absorbe pas les micro-ondes.
- Utiliser des mitaines de four ou des maniques pour enlever les contenants du four.
- Ne pas faire cuire les pommes de terre excessivement. À la fin de la durée de cuisson recommandée, les pommes de terre devraient être légèrement fermes. Laisser les pommes de terre reposer pendant 5 minutes. Elles achèveront de cuire pendant cette période.
- Ne pas faire cuire ou réchauffer des œufs entiers avec leur coquille. L'accumulation de vapeur dans les œufs entiers peut les faire éclater et obliger à nettoyer en profondeur la cavité du four à micro-ondes. Recouvrir les œufs pochés et les laisser reposer.

Caractéristiques des aliments

Lors de la cuisson au tiroir à micro-ondes, la quantité, la taille, la forme, la température de mise en marche, la composition et la densité de l'aliment affectent les résultats de cuisson.

Quantité d'aliments

La quantité d'aliments chauffés à la fois a une incidence sur la durée de cuisson. Vérifier le degré de cuisson et rallonger légèrement la durée si nécessaire.

Taille et forme

Des aliments de petite taille cuiront plus vite que de gros morceaux, et des aliments uniformes cuiront de façon plus également que des aliments de forme irrégulière.

Température à la mise en marche

Les aliments à température ambiante chaufferont plus vite que les aliments réfrigérés, et les aliments réfrigérés chaufferont plus vite que les aliments surgelés.

Composition et densité

Les aliments à haute teneur en gras et en sucre atteindront une température plus élevée et chaufferont plus vite que les autres. Les aliments lourds et denses, comme la viande et les pommes de terre, demandent une durée de cuisson plus longue que les aliments de même taille, mais plus légers et poreux, comme les gâteaux.

Guide de cuisson

Recouvrement

Recouvrir les aliments aide à retenir l'humidité, réduire la durée de cuisson et limiter les éclaboussures. Utiliser le couvercle fourni avec l'ustensile de cuisson. S'il n'y a pas de couvercle, du papier paraffiné, un essuie-tout ou un emballage en plastique approuvé pour les micro-ondes peut être utilisé. L'emballage en plastique doit être replié à un coin pour laisser échapper la vapeur. La condensation sur les surfaces de la porte et de la cavité est normale pendant une cuisson intense.

Remuer et tourner

Remuer et tourner les aliments redistribue la chaleur de manière uniforme pour éviter la cuisson excessive du bord des aliments. Mélanger de l'extérieur vers le centre. Si possible, retourner les aliments.

Disposition

S'il s'agit d'aliments de formes irrégulières ou de dimensions différentes, les parties plus minces et les morceaux plus petits doivent être disposés près du centre. Si l'on cuit plusieurs aliments de même taille et de même forme, les placer en cercle, en laissant le centre du cercle vide.

Perforation

Avant le chauffage, utiliser une fourchette ou un petit couteau pour percer les aliments qui ont une peau ou une membrane, comme les pommes de terre, jaunes d'œufs, foies de poulet, hot dogs et saucisses. Percer plusieurs endroits pour laisser échapper la vapeur.

Protection

Utiliser du papier d'aluminium en petits morceaux pour protéger les parties minces d'aliments de forme irrégulière, les os et les aliments comme les ailes et pilons de poulet et les queues de poisson. Voir d'abord la section « Papier d'aluminium et métal ».

Temps de repos

Les aliments continuent à cuire par conduction naturelle de la chaleur même lorsque le programme du micro-ondes est terminé. La durée du repos dépend du volume et de la densité de l'aliment.

Ustensiles de cuisson et vaisselle

La vaisselle et les ustensiles de cuisson doivent pouvoir être placés sur le plateau rotatif. Toujours utiliser des mitaines de four ou des poignées lors de la manipulation, car les plats peuvent devenir chauds puisqu'ils sont en contact avec des aliments. Ne pas utiliser des ustensiles de cuisson ou de la vaisselle avec garniture en or ou en argent. Utiliser le tableau suivant comme guide, ensuite faire un test avant utilisation.

Matériau	Recommandations
Papier d'aluminium, métal	Voir la section « Papier d'aluminium et métal ».
Plat brunisseur	La partie inférieure doit se trouver au moins à 3/16 po (5 mm) au-dessus du plateau tournant. Suivre les recommandations du fabricant.
Vitrocéramique, verre	Peut être utilisé
Porcelaine, terre cuite	Suivre les recommandations du fabricant.
Mélamine	Suivre les recommandations du fabricant.
Papier : Chiffons, vaisselle, serviettes de table	Utiliser des produits non recyclés et ceux qui sont approuvés par le fabricant pour l'utilisation dans un four à micro-ondes.
Plastique : Emballages, sacs, couvercles, vaisselle, contenants	Utiliser des produits approuvés par le fabricant pour l'utilisation dans un four à micro-ondes.
Poterie et argile	Suivre les recommandations du fabricant.
Ustensiles de cuisson en silicone	Suivre les recommandations du fabricant.
Paille, osier, contenants en bois	Ne pas utiliser au four à micro-ondes.
Papier paraffiné	Peut être utilisé

Pour vérifier si la vaisselle ou l'ustensile de cuisson peut être utilisé dans un four à micro-ondes :

1. Placer l'ustensile de cuisson ou la vaisselle dans le four à micro-ondes avec une tasse (250 ml) d'eau à côté de l'article.
 2. Faire cuire à la puissance de cuisson maximale pendant 1 minute.
- Ne pas utiliser cet ustensile de cuisson ou cet article de vaisselle s'il devient chaud alors que l'eau demeure froide.

Papier d'aluminium et métal

Toujours utiliser des mitaines de four ou des poignées pour enlever un contenant du four à micro-ondes.

Le papier d'aluminium et certains métaux peuvent être utilisés dans le four à micro-ondes. Si ces articles ne sont pas correctement utilisés, des arcs (éclairs bleus) peuvent se produire et causer des dommages au four à micro-ondes.

Peut être utilisé

Les grilles et les ustensiles de cuisson fournis avec le four à micro-ondes (sur certains modèles), la feuille d'aluminium pour protection et les thermomètres à viande approuvés peuvent être utilisés en respectant les précautions suivantes :

- Afin d'éviter d'endommager le four à micro-ondes, ne pas laisser les grilles en contact avec les parois internes, la voûte ou le fond du four.
- Toujours utiliser le plateau rotatif.
- Pour éviter d'endommager le four à micro-ondes, ne pas laisser un autre objet métallique entrer en contact avec le four à micro-ondes pendant la cuisson.

Ne pas utiliser

Les ustensiles de cuisson en métal, or, argent ou étain, les thermomètres à viande non approuvés, les brochettes, les attaches, les doublures de papier d'aluminium comme les emballages de sandwich, les agrafes et autres objets avec garniture en or, en argent ou avec un enduit métallique.

Pour utilisation avec l'élément du gril

Utiliser la grande grille de cuisson au gril fournie avec un plat de cuisson au four pour récupérer les débordements.

Pour utilisation avec le système de cuisson par convection

Utiliser la petite grille de cuisson par convection fournie et un plat de cuisson au four pour la cuisson par convection.

Utiliser la petite grille de cuisson par convection fournie et un plat de cuisson au four résistant au four à micro-ondes pour le rôtissage par convection.

Cook (Cuisson)

Le four à micro-ondes a été programmé avec des aliments communs allant au four à micro-ondes, leurs quantités, leurs puissances de cuisson et leurs durées de cuisson.

Utiliser le tableau suivant comme guide pour la cuisson pré-réglée.

Article	Catégories d'aliment	Quantité
P1	Pomme de terre – Grosse Entrer 1 à 4 pommes de terre, 8 à 10 oz (227 à 283 g) chacune. Percer plusieurs fois chaque pomme de terre avec une fourchette. Placer sur de l'essuie-tout ou le centre du plateau rotatif. Laisser reposer 5 minutes après la cuisson.	1-4 morceaux/ 1 morceau
P2	Pomme de terre – Petite Entrer 1 à 16 pommes de terre, 3 à 5 oz (85 à 141 g) chacune. Percer plusieurs fois chaque pomme de terre avec une fourchette. Placer sur de l'essuie-tout ou le centre du plateau rotatif. Laisser reposer 5 minutes après la cuisson.	1-16 morceaux/ 1 morceau
P3	Légumes frais À partir de la température ambiante mettre l'aliment dans un plat allant au four à micro-ondes. Ajouter 2 cuillères à soupe d'eau à 1-2 tasses, ajouter 4 cuillères à soupe d'eau à 3-4 tasses. Couvrir le plat en laissant une ouverture pour l'aération. Remuer et laisser reposer 2 à 3 minutes après la cuisson.	1 à 4 tasses (cuisson par détection)
P4	Légumes surgelés Les placer dans un contenant pour micro-ondes et ajouter 2 à 4 c. à thé d'eau. Recouvrir d'une pellicule de plastique et laisser une ouverture pour laisser l'air s'échapper. Remuer et laisser reposer 2 à 3 minutes après la cuisson.	1 à 4 tasses (cuisson par détection)
P5	Gruau Placer dans un récipient allant au micro-ondes et ajouter de l'eau selon les instructions de l'emballage. Ajouter de l'eau, couvrir d'un film plastique et replier un bord d'environ 1/4 po (6 mm) pour faire une ouverture. Placer le plat au centre du four. Après la cuisson, remuer avec une cuillère ou un fouet jusqu'à consistance homogène.	1-4 tasses/ (cuisson avec détection)

P6	Plat surgelé Retirer le plat surgelé de l'emballage et desserrer la pellicule qui recouvre les 3 côtés du récipient en laissant l'un des petits côtés encore attaché. Couvrir lâchement de pellicule. Laisser les plats de 10,5 et 20 oz (297 et 567 g) reposer pendant 3 minutes. Laisser reposer les plats de 38 et 60 oz (1,1 et 1,7 kg) pendant 5 minutes.	10 oz, 20 oz, 40 oz, 60 oz (283 g, 567 g, 1,1 kg, 1,7 kg)
----	--	--

Popcorn (Maïs à éclater)

Sacs de 3,0 ou 3,5 oz.

- Ne pas utiliser de sachets de papier ordinaire ou d'articles en verre.
- Ne préparer qu'un sac de maïs à éclater à la fois.
- Suivre les instructions du fabricant lors de l'utilisation d'un éclateur de maïs pour four à micro-ondes.
- Attendre que l'éclatement ralentisse à 1 éclatement toutes les 1 ou 2 secondes, puis mettre fin au programme.
- Ne pas essayer de faire éclater les grains qui n'ont pas éclaté la première fois.
- Pour de meilleurs résultats, utiliser des sachets de maïs à éclater frais.
- Les résultats de cuisson peuvent varier en fonction de la marque et de la teneur en matières grasses.

REMARQUE : Suivre les instructions par le fabricant de maïs à éclater pour four à micro-ondes.

Reheat (Réchauffage)

Les durées et puissances de cuisson ont été pré-réglées pour réchauffer plusieurs types d'aliments. Utiliser le tableau suivant comme guide.

Article	Catégories d'aliment	Quantité
P1	Assiette Placer les aliments sur l'assiette. Recouvrir d'une pellicule de plastique et laisser une ouverture pour laisser l'air s'échapper. Laisser reposer 2 à 3 minutes après le réchauffage.	10 à 15 oz (283 à 425 g) (cuisson par détection)
P2	Sauce Placer dans un plat allant au four à micro-ondes. Recouvrir d'une pellicule de plastique et laisser une ouverture pour laisser l'air s'échapper. Remuer et laisser reposer 2 à 3 minutes après le réchauffage.	1 à 4 tasses
P3	Soupe Placer dans un plat allant au four à micro-ondes. Recouvrir d'une pellicule de plastique et laisser une ouverture pour laisser l'air s'échapper. Remuer et laisser reposer 2 à 3 minutes après le réchauffage.	1 à 4 tasses
P4	Boisson Ne pas couvrir.	1, 2, 3, 4 tasses
P5	Réchauffer la pizza Placer sur une assiette résistante aux micro-ondes avec un essuie-tout posé par-dessus.	1-3 ointes, 4 oz (113 g) par pointe (cuisson par détection)

Soften/Melt (Faire Ramollir/Fondre)

La fonction pour ramollir peut être utilisée pour ramollir vos aliments. Les durées et puissances de cuisson ont été pré-réglées pour plusieurs types d'aliments. Utiliser le tableau suivant comme guide.

Article	Catégories d'aliment	Quantité
P1	Soften Butter (Faire ramollir le beurre) Déballer et placer dans un récipient résistant aux micro-ondes.	0,5-2,0 bâtons/0,5 bâton
P2	Melt Butter (Faire fondre le beurre) Déballer et placer dans un récipient résistant aux micro-ondes	0,5-2,0 bâtons/0,5 bâton
P3	Soft Ice-cream (Faire ramollir la crème glacée) Placer le pot de crème glacée sur le plateau rotatif.	16-64 oz/16 oz (454 g-1,8 kg/454 g)
P4	Soft Cream Cheese (Faire ramollir le fromage à la crème) Déballer et placer dans un récipient résistant aux micro-ondes.	3 oz, 8 oz (85 g, 227 g)
P5	Soften Brown Sugar (Faire ramollir la cassonade) Placer dans un récipient résistant aux micro-ondes.	3 oz, 8 oz (85 g, 227 g)
P6	Soften Frozen Juice (Faire ramollir le jus surgelé) Retirer le couvercle.	8 oz, 12 oz (227 g, 340 g)
P7	Soften Caramel Dip (Faire ramollir une trempette au caramel) Retirer le couvercle de la trempette au caramel et placer au centre du four à micro-ondes.	8 oz, 16 oz (227 g, 454 g)
P8	Melt Chocolate Chips (Faire fondre des pépites de chocolat) Placer dans un récipient allant au micro-ondes au centre du four à micro-ondes.	4-12 oz/4 oz (113-340 g/113 g)
P9	Melt Cream Cheese (Faire fondre du fromage à la crème) Déballer et placer dans un récipient résistant aux micro-ondes.	8 oz, 16 oz (227 g, 454 g)
P10	Melt Caramel Dip (Faire fondre une trempette au caramel) Placer dans un récipient résistant aux micro-ondes.	8 oz, 16 oz (227 g, 454 g)

Auto Defrost (Décongélation Automatique)

- Pour des résultats optimaux, la température de l'aliment doit être inférieure ou égale à 0 °F (-18 °C) lors de la décongélation.
- Déballez les aliments et enlevez les couvercles (des jus de fruits) avant la décongélation.
- Les paquets peu épais décongèlent plus rapidement que les morceaux épais.
- Séparer les morceaux d'aliments le plus tôt possible durant ou à la fin du programme pour une décongélation plus uniforme.
- Les aliments laissés hors du congélateur pendant plus de 20 minutes ou les plats préparés surgelés ne doivent pas être décongelés en utilisant la caractéristique Defrost (Décongélation), mais doivent être décongelés manuellement.
- Utiliser de petits morceaux de papier d'aluminium pour protéger les aliments comme les ailes et pilons de poulet ainsi que les queues de poisson. Voir d'abord la section « Papier d'aluminium et métal ».
- Les durées et puissances de cuisson ont été préréglées pour décongeler plusieurs types d'aliments.

Article	Catégories d'aliment	Poids
P1 Décongélation Manuelle	–	–
P2	Poultry (volaille)	0,5 lb à 6,6 lb/0,1 lb
P3	Meat (Viande)	0,5 lb à 6,6 lb/0,1 lb
P4	Fish (poisson)	0,5 lb à 6,6 lb/0,1 lb

TABLEAU DE PRÉPARATION DE DÉCONGÉLATION

VOLAILLE

Poulet : entier et en morceaux	Placer dans un contenant allant au micro-ondes, la poitrine de poulet vers le haut. Enlever les abats du poulet entier.
Poulets de Cornouailles	
Dinde : poitrine	

VIANDE

Bœuf : haché, bifteck, rôti, ragoût	Les sections étroites ou grasses des morceaux de forme irrégulière doivent être recouvertes de papier d'aluminium avant la décongélation. Ne pas décongeler moins de 1/4 lb (113 g) ou deux galettes de 4 oz (113 g). Placer toutes les viandes dans un contenant allant au micro-ondes.
Agneau : ragoût et côtelettes	
Porc : côtelettes, côtes, rôtis, saucisse	

POISSON

Filets, dardes, entier, crustacés	Placer dans un contenant allant au four à micro-ondes.
-----------------------------------	--

Steam Clean (Nettoyage à la Vapeur)

Ce programme de nettoyage automatique vous aidera à nettoyer la cavité du four à micro-ondes et à éliminer les odeurs désagréables.

Avant de démarrer le programme :

1. Verser 250 ml d'eau dans un récipient (voir nos recommandations dans la section ci-dessous « Conseils et suggestions »).
2. Placer le récipient directement au milieu de la cavité.

Pour démarrer le programme :

1. Appuyer sur le bouton Steam Clean (Nettoyage à la Vapeur), la durée du programme de nettoyage sera visible sur l'afficheur.
2. Appuyer sur le bouton Start (Mise en marche) pour démarrer la fonction.

Une fois le programme terminé :

1. Appuyer sur le bouton Stop/Unlock (Arrêt/Déverrouillage).
2. Retirer le récipient.
3. Utiliser un chiffon doux ou une serviette en papier avec du détergent doux pour nettoyer les surfaces intérieures.

Conseils et suggestions :

Pour un meilleur résultat de nettoyage, il est recommandé d'utiliser un récipient d'un diamètre de 17-20 cm et d'une hauteur inférieure à 6,5 cm.

Il est recommandé d'utiliser un récipient en matière plastique légère qui convient au micro-ondes.

Étant donné que le récipient sera chaud une fois le programme de nettoyage terminé, il est recommandé d'utiliser un gant résistant à la chaleur pour retirer le récipient du four à micro-ondes.

Pour un meilleur effet nettoyant et une élimination des odeurs désagréables, ajouter du jus de citron ou du vinaigre à l'eau.

Keep Warm (Maintien au Chaud)

Cette fonction permet de garder les plats au chaud.

1. Appuyer sur le bouton Keep Warm (Maintien au Chaud).
2. Appuyer sur le bouton « +/- » pour sélectionner la durée appropriée, puis appuyer sur le bouton "Start" (Mise en marche) pour démarrer.
La durée par défaut est de 30 minutes, la durée maximale est de 60 minutes.

Aliment	Poids du récipient	Température	Plat
Thon	4 tasses (880 g)	165 °F (73,8 °C)	Plat allant au micro-ondes
Nouille			
Casserole			

Grill (Gril)

La fonction de cuisson au gril utilise un élément de chauffage Calrod à chauffage rapide pour griller de nombreux types d'aliments.

- Utiliser l'accessoire de friture à l'air pour placer l'aliment plus près de l'élément de cuisson au gril pour une cuisson plus rapide.
- L'utilisation de l'élément de cuisson au gril rend la cavité du four à micro-ondes et la porte très chaudes. L'utilisation de mitaines est recommandée.
- Utiliser un plat de cuisson au four pour récupérer les renversements.
- L'accessoire de friture à l'air et le plat deviennent très chauds. Utiliser des mitaines de four pour retirer les plats. Afin d'éviter tout dommage, ne pas placer le plat brûlant directement sur des surfaces non-résistantes à la chaleur.
- Le plateau rotatif doit être en place lors de l'utilisation de l'accessoire de friture à l'air.
- Pour de meilleurs résultats, appliquer une mince couche d'huile de cuisson sur l'accessoire de friture à l'air.

Exemples de durées de cuisson au gril.

Aliment	Poids du récipient	Température
Grille-pain		
Bifteck de surlonge	4 tasses (880 g)	165 °F (73,8 °C)

Utilisation :

1. Placer l'accessoire de friture à l'air solidement sur le plat, puis placer la grille et le plat sur le plateau rotatif. Placer ensuite les aliments sur la grille et fermer la porte.
2. Appuyer sur Grill (Gril).
« 00:30 » apparaît sur l'affichage. Entrer la durée de cuisson au gril en minutes et en secondes.
3. Appuyer sur Start (Mise en marche).
L'affichage présente le compte à rebours de la durée de cuisson au gril.
Lorsque le programme est terminé, « End » (Fin) apparaît sur l'afficheur, et les signaux de fin de programme retentissent.
4. Appuyer sur Stop/Unlock (Arrêt/Déverrouillage) ou ouvrir la porte pour effacer l'affichage.

Cuisson au four/Rôtissage par convection

Le système de cuisson par convection fait circuler de l'air chaud à travers la cavité du four à micro-ondes à l'aide d'un ventilateur. L'air constamment en mouvement entoure l'aliment pour chauffer rapidement la portion extérieure.

- La cavité du four à micro-ondes et la porte deviennent chaudes durant le programme de rôtissage par convection. L'utilisation de mitaines est recommandée.
- Utiliser la petite grille de cuisson par convection fournie.
- Ne pas couvrir le plateau rotatif ou la grille de cuisson par convection avec du papier d'aluminium, car cela interfère avec la circulation de l'air chaud.
- Ne pas utiliser des récipients en plastique léger, des enveloppes en plastique ou des produits de papier.
Tous les ustensiles de cuisine résistants au four ou les ustensiles en métal peuvent être utilisés lors de la cuisson au four par convection.
(Les plats à pizza circulaires sont d'excellents ustensiles de cuisson pour de nombreux articles de convection.) Les ustensiles métalliques ne peuvent pas être utilisés avec la fonction de rôtissage par convection.
- Aucune technique spéciale n'est requise pour adapter les recettes de four standard à la cuisson par convection, bien que certaines températures puissent avoir besoin d'être abaissées et certaines durées de cuisson réduites. En utilisant un plat à convection, la fonction Bake/Roast (Cuisson au Four/Rôtissage) peut être utilisée pour avoir une cuisson par convection. Les durées et puissances de cuisson ont été préétablies pour plusieurs types d'aliments. Utiliser le tableau suivant comme guide.

Article	Catégories d'aliment	Quantité
P1	Cuisson manuelle (avec préchauffage) Utiliser une plaque de cuisson pour cette fonction.	
P2	Pizza croûte mince congelée Retirer la pizza congelée de l'emballage, placer la pizza au centre de la plaque de cuisson.	12 po
P3	Pizza croûte épaisse congelée Retirer la pizza congelée de l'emballage, placer la pizza au centre de la plaque de cuisson.	12 po
P4	Biscuits au sucre Mettre le mélange de biscuits au centre de la plaque de cuisson (6 morceaux, environ 1 fournée).	1 fournée
P5	Muffins Mettre la préparation à muffins dans des coupelles, les placer au centre de la plaque de cuisson (7 morceaux, environ 1 fournée).	1 fournée
P6	Tarte aux fruits Retirer la tarte fraîche de l'emballage, placer la tarte au centre de la plaque de cuisson.	1 fournée
P7	Gâteau en couches Mettre la préparation à gâteau avec le récipient au centre de la plaque de cuisson.	1 fournée
P8	Rôtissage manuel (avec préchauffage) Utiliser votre panier à friture à l'air (sans retourner les pattes) et placer une plaque de cuisson en dessous.	
P9	Poulet entier rôti Utiliser votre panier à friture à l'air (sans retourner les pattes) et placer une plaque de cuisson en dessous. Saler et poivrer l'intérieur du poulet, ajouter le bouquet de thym, les moitiés de citron et l'ail. Badigeonner la surface du poulet avec le beurre, le sel et le poivre. Placer les légumes préférés, comme les oignons, les carottes, etc., dans le panier à friture. Ajouter le sel, le poivre, le thym et l'huile d'olive, puis placer le poulet dessus.	2-5 lb/ 0,5 lb

Article	Catégories d'aliment	Quantité
P10	Longe de porc rôtie Frotter le sel, le poivre, la poudre d'ail, la poudre d'oignon, le romarin, le paprika et le thym sur toute la longe de porc. Mettre la longe de porc dans le panier à friture à l'air (sans retourner les pattes) et placer une plaque de cuisson en dessous; ajouter une sauce préférée, comme le miel, la moutarde, l'ail, la sauce soja et l'huile d'olive, ajouter des légumes, de la citrouille, de l'oignon, du poivre tout autour.	2-4 lb/ 0,5 lb
P11	Filet de porc rôti Rouler un filet de porc dans du sel et des épices, ou créer une pâte d'ail et de gingembre à frotter dessus. Mettre le filet de porc dans le panier de la friteuse à l'air (sans retourner les pattes) et placer une plaque de cuisson en dessous.	1-2 lb/ 0,5 lb
P12	Rôti de bœuf Utiliser votre assaisonnement préféré et frotter partout sur le rouleau de bœuf. Couper un oignon et une carotte et les placer dans le panier à friture à l'air avec une plaque à cuisson en dessous. Mettre le bœuf sur les légumes et lancer la cuisson.	2-4 lb/ 0,5 lb

Pour la cuisson manuelle, pour utiliser le préchauffage :

- Après avoir sélectionné la température, le « Préchauffage » sur l'écran commence à clignoter; appuyer sur Start (mise en marche) pour confirmer; le four commence le préchauffage; une fois la température souhaitée atteinte, le signal sonore de fin de préchauffage retentit.
- Appuyer sur « +/- » pour régler la durée de cuisson.
- Appuyer sur Start (mise en marche); l'affichage présente le compte à rebours de la durée de cuisson au four par convection. Lorsque le programme est terminé, « End » (Fin) apparaît sur l'afficheur, et les signaux de fin de programme retentissent.

Pour la cuisson manuelle, pour utiliser le préchauffage :

- Après avoir sélectionné la température, le « préchauffage » sur l'écran commence à clignoter, appuyer simplement sur « +/- » pour sauter le préchauffage et passer directement au réglage de la durée de cuisson.
- Appuyer sur Start (Mise en marche); l'affichage présente le compte à rebours de la durée de cuisson au four par convection. Lorsque le programme est terminé, « End » (Fin) apparaît sur l'afficheur, et les signaux de fin de programme retentissent.

Air fryer (Friture à l'air)

En utilisant l'accessoire de friture à l'air, la fonction permet d'avoir une cuisson de type friture à l'air. Les durées et puissances de cuisson ont été préétablies pour plusieurs types d'aliments. Utiliser le tableau suivant comme guide.

Article	Catégories d'aliment	Poids
P1	Friture à l'air manuelle	
P2	Pommes de terre rôties	1-4 portions/1 portion (5 oz)
P3	Brocoli	1-4 portions/1 portion (3,3 oz)
P4	Asperges	1-4 portions/1 portion (4 oz)
P5	Choux de Bruxelles	1-4 portions/1 portion (4 oz)
P6	Pépites de poulet	6-18 oz/4 oz
P7	Ailes de poulet	8-20 oz/4 oz
P8	Frites	1-4 portions/1 portion (2,5 oz)

ENTRETIEN DU FOUR À MICRO-ONDES

Nettoyage général

IMPORTANT : Avant le nettoyage, s'assurer que toutes les commandes sont désactivées et que le four à micro-ondes est froid. Toujours suivre les instructions figurant sur les étiquettes des produits de nettoyage.

L'usage de savon, d'eau et d'un chiffon doux ou d'une éponge est suggéré, sauf indication contraire.

CAVITÉ DU FOUR À MICRO-ONDES

Afin d'éviter d'endommager la cavité du four à micro-ondes, ne pas utiliser de tampons à récurer savonneux, de nettoyeurs abrasifs, de tampons en laine d'acier, de chiffons de lavage rêches ou certains essuie-tout.

Pour éviter d'endommager les modèles en acier inoxydable, frotter dans le sens du grain.

La zone de contact entre la porte fermée et le cadre du four à micro-ondes doit être maintenue propre.

Saleté moyenne

- Savons et détergents doux, non abrasifs :
Rincer à l'eau propre et sécher avec un chiffon doux sans charpie.

Saleté tenace

- Savons et détergents doux, non abrasifs :
Faire chauffer une tasse (250 ml) d'eau pendant 2 à 5 minutes dans le four à micro-ondes. La vapeur amollira la saleté. Rincer à l'eau propre et sécher avec un chiffon doux sans charpie.

Odeurs

- Jus de citron ou vinaigre :
Faire chauffer une tasse (250 ml) d'eau avec 1 c. à soupe (15 ml) de jus de citron ou de vinaigre pendant 2 à 5 minutes dans le four à micro-ondes.

Capot d'orifice du tiroir à micro-ondes

Pour éviter de créer des arcs ou d'endommager le four à micro-ondes, le capot d'orifice (vois la section « Pièces et caractéristiques ») devrait toujours être propre.

- L'essuyer à l'aide d'un chiffon humide.

EXTÉRIEUR ET PORTE DU FOUR À MICRO-ONDES

La zone de contact entre la porte fermée et le cadre du four à micro-ondes doit être maintenue propre.

- Savons et détergents doux, non abrasifs :
Rincer à l'eau propre et sécher avec un chiffon doux sans charpie.
- Nettoyeur à vitre et serviette de papier ou tampon à récurer non abrasif en plastique :
Vaporiser du nettoyeur à vitre sur la serviette, pas directement sur la surface.

Acier inoxydable (sur certains modèles)

Afin d'éviter d'endommager l'extérieur et la porte du four à micro-ondes, ne pas utiliser de tampons à récurer savonneux, de nettoyeurs abrasifs, de tampons en laine d'acier, de chiffons de lavage rêches ou certains essuie-tout. Frotter dans le sens du grain.

- Nettoyeur pour acier inoxydable (vendu séparément) :
Voir la section « Assistance ou service » pour commander.
- Nettoyeur tout-usage :
Rincer à l'eau propre et sécher avec un chiffon doux sans charpie.
- Vinaigre pour les taches d'eau dure

TABLEAU DE COMMANDE

- Éponge ou chiffon doux et eau :
Mouiller l'éponge et essuyer le panneau. Sécher avec un chiffon doux.
- Afin d'éviter d'endommager le tableau de commande, ne pas utiliser de nettoyeurs chimiques ou abrasifs.

PLATEAU ROTATIF

Remettre le plateau rotatif en place immédiatement après le nettoyage. Ne pas faire fonctionner le four à micro-ondes lorsque le plateau rotatif est enlevé.

- Nettoyeur doux et tampon à récurer
- Lave-vaisselle

ACCESSOIRE DE FRITURE À L'AIR

Le nettoyage au lave-vaisselle est recommandé. Afin d'éviter d'endommager les grilles de convection et de cuisson au gril, ne pas utiliser de nettoyeurs abrasifs ou de tampons à récurer.

- Savon doux, eau et chiffon.

DÉPANNAGE

Essayer d'abord les solutions suggérées ici. Pour obtenir de l'aide ou des recommandations supplémentaires pour éviter un appel de service, consulter la garantie ou visiter le www.kitchenaid.com/owners ou au Canada, le www.kitchenaid.ca/proprietaire.

Il est possible d'adresser ses commentaires ou questions par courrier à l'adresse suivante :

Aux États-Unis :

KitchenAid Brand Home Appliances
Customer eXperience Centre
553 Benson Road
Benton Harbor, MI 49022-2692

Au Canada :

KitchenAid Brand Home Appliances
Customer eXperience Centre
220-6750 Century Ave.
Mississauga, Ontario L5N 0B7

Indiquer dans votre correspondance un numéro de téléphone où l'on peut vous joindre dans la journée.

Si les problèmes suivants surviennent	Solutions recommandées
Rien ne fonctionne	Vérifier ce qui suit : <ul style="list-style-type: none">■ Fusible ou disjoncteur : Si le fusible est grillé ou que le disjoncteur s'est déclenché, remplacer le fusible ou réenclencher le disjoncteur. Si le problème persiste, appeler un électricien.
Le four à micro-ondes ne fonctionne pas	Vérifier ce qui suit : <ul style="list-style-type: none">■ Magnétron : Faire chauffer 1 tasse (250 ml) d'eau froide pendant 2 minutes à puissance de cuisson maximale. Si l'eau ne chauffe pas, essayer les étapes ci-dessous. Si le four à micro-ondes ne fonctionne toujours pas, faire un appel de service.■ Porte : Bien fermer la porte. Sur certains modèles, si une cale d'espacement est fixée à l'intérieur de la porte, la retirer puis bien fermer la porte. Si un message concernant la porte s'affiche, la porte a été fermée depuis au moins 5 minutes sans que le four à micro-ondes ait été mis en marche. Le but du message est d'éviter une mise en marche accidentelle du four à micro-ondes. Ouvrir et fermer la porte, puis démarrer le programme.■ Stop (Arrêt) (Unlock [Déverrouillage]) : Vérifier que Stop/Unlock (Arrêt/Déverrouillage) est désactivé. Vérifier que le mode Demo (Démonstration) (sur certains modèles) est éteint.
Le four à micro-ondes bourdonne	■ Ce bruit est normal et se produit lorsque le bloc d'alimentation dans le magnétron se met en marche.
La porte du four à micro-ondes semble gondolée	■ Ceci est normal et n'affecte pas la performance.
Le plateau rotatif ne fonctionne pas	Vérifier ce qui suit : <ul style="list-style-type: none">■ Plateau rotatif : S'assurer que le plateau rotatif est à l'endroit et repose bien sur son support. Voir la section « Plateau rotatif ».■ Support du plateau rotatif : Retirer le plateau rotatif. Retirer et nettoyer l'axe, les roulettes et le support du plateau rotatif. Replacer l'axe, le support et le plateau rotatif. Placer une tasse (250 ml) d'eau sur le plateau rotatif, puis remettre le four à micro-ondes en marche. S'il ne fonctionne toujours pas, faire un appel de service. Pour plus d'informations sur la garantie, visiter le www.kitchenaid.com/owners, ou au Canada, visiter le www.kitchenaid.ca/proprietaire. Ne pas faire fonctionner le four à micro-ondes si le plateau rotatif et son support ne fonctionnent pas correctement.
Le plateau rotatif tourne dans les deux sens	■ Ceci est normal et dépend de la rotation du moteur au début du programme.
Des messages s'affichent	■ L'affichage clignotant « 0:00 » signifie qu'il y a eu une panne de courant. Régler à nouveau l'horloge.
L'afficheur indique le compte à rebours, mais le four à micro-ondes ne fonctionne pas	Vérifier ce qui suit : <ul style="list-style-type: none">■ Timer (Minuterie) : Consulter la section « Minuterie ».
Les signaux sonores ne retentissent pas	Vérifier ce qui suit : <ul style="list-style-type: none">■ Signaux sonores : Voir la section « Signaux sonores ».
Les durées de cuisson semblent trop longues	Vérifier ce qui suit : <ul style="list-style-type: none">■ La puissance de cuisson : Consulter le « Tableau de puissance de cuisson du four à micro-ondes ».■ Quantité d'aliments : Les quantités plus grandes d'aliments nécessitent des durées de cuisson plus longues.■ Tension : Faire vérifier le système électrique du domicile par un électricien qualifié.
Odeur provenant du four à micro-ondes pendant la cuisson par convection et/ou au gril	■ Ceci est normal pour les quelques premiers programmes de cuisson par convection ou au gril. L'odeur disparaîtra après quelques utilisations.

Si les problèmes suivants surviennent

Solutions recommandées

Interférence des signaux radio, de télévision et de téléphones sans fil

Vérifier ce qui suit :

- **Proximité** : Déplacer le récepteur pour l'éloigner du four à micro-ondes ou régler l'antenne de la radio ou du téléviseur. Si le four à micro-ondes est branché sur la même prise, essayer une autre prise pour l'appareil électronique.
- **Saleté** : Vérifier que la porte du four à micro-ondes et les surfaces d'étanchéité sont propres.
- **Fréquence** : Certains téléphones sans fil et réseaux domestiques sans fil à 2,4 GHz peuvent être parasités lorsque le four à micro-ondes est en marche. Utiliser un téléphone avec fil, un téléphone sans fil avec une fréquence différente ou éviter d'utiliser ces appareils pendant le fonctionnement du four à micro-ondes.

ASSISTANCE OU DÉPANNAGE

Pour obtenir un dépannage :

Pour plus d'informations sur la garantie, visiter le www.kitchenaid.com/owners ou au Canada, visiter le www.kitchenaid.ca/proprietaire.

Pour obtenir des pièces de rechange :

Pour commander des pièces de rechange, nous vous recommandons d'utiliser seulement des pièces spécifiées par l'usine. Les pièces de rechange spécifiées par l'usine fonctionneront bien parce qu'elles sont fabriquées selon la même précision que celle utilisée pour fabriquer chaque nouvel appareil KitchenAid.

Pour savoir où trouver des pièces spécifiées par l'usine dans votre région, nous appeler ou contacter le centre de service désigné par KitchenAid le plus proche.

Aux É.-U.

Appeler sans frais le KitchenAid Customer eXperience Center au : **1 800 422-1230** ou visiter notre site Web au www.kitchenaid.com/owners.

Nos conseillers peuvent vous aider sur les points suivants :

- Programmation d'une intervention de dépannage. Les techniciens de service désignés par la gamme des appareils électroménagers KitchenAid sont formés pour remplir la garantie des produits et fournir un service après garantie partout aux États-Unis.
- Caractéristiques et spécifications de notre gamme complète d'appareils ménagers.
- Consulter le revendeur local d'appareils KitchenAid.
- Renseignements sur l'installation.
- Procédures d'utilisation et d'entretien.
- Vente d'accessoires et de pièces de rechange.
- Assistance spécialisée au client (langue espagnole, malentendants, malvoyants, etc.).

Pour plus d'assistance :

Pour obtenir plus d'assistance, écrire à KitchenAid en soumettant tout question ou problème à :

KitchenAid Brand Home Appliances
Customer eXperience Center
553 Benson Road
Benton Harbor, MI 49022-2692

Indiquer dans votre correspondance un numéro de téléphone où l'on peut vous joindre dans la journée.

Au Canada

Appeler sans frais le KitchenAid Customer eXperience Center au : **1 800 807-6777** ou visiter notre site Web au www.kitchenaid.ca/proprietaire.

Nos conseillers peuvent vous aider sur les points suivants :

- Programmation d'une intervention de dépannage. Les techniciens de service désignés par la gamme d'appareils électroménagers KitchenAid sont formés pour remplir la garantie des produits et fournir un service après la garantie partout au Canada.
- Caractéristiques et spécifications de notre gamme complète d'appareils ménagers.
- Consulter le revendeur local d'appareils KitchenAid.
- Procédures d'utilisation et d'entretien.
- Vente d'accessoires et de pièces de rechange.

Pour plus d'assistance :

Pour obtenir plus d'assistance, écrire à KitchenAid en soumettant tout question ou problème à :

KitchenAid Brand Home Appliances
Customer eXperience Centre
200-6750 Century Ave.
Mississauga, Ontario L5N 0B7

Indiquer dans votre correspondance un numéro de téléphone où l'on peut vous joindre dans la journée.

Pièces de rechange

Plateau rotatif en verre Numéro de pièce W11664466	Plaque de cuisson Numéro de pièce W11664469
Support et roulettes du plateau rotatif Numéro de pièce W11664467	Friture à l'air Numéro de pièce W11664470
Axe du plateau rotatif Numéro de pièce W11664468	

Trousses pour fours encastrés

Ce four à micro-ondes de comptoir peut être encastré à l'aide de l'une des troussees suivantes*. Ces troussees sont disponibles auprès du marchand ou peuvent être commandées en indiquant le numéro de modèle de la trousse. Voir la section « Assistance ou dépannage » pour le numéro sans frais.

Taille de la trousse	Numéros de modèles de la trousse/ couleur
27 po (68,6 cm)	MTK1527PZ
30 po (76,2 cm)	MTK1530PZ

*Les garnitures intégrées (troussees de garniture) peuvent être installées par-dessus n'importe quel four (électrique ou à gaz) encastré dans le mur, jusqu'à 30 po (76,2 cm).

SEGURIDAD DEL HORNO MICROONDAS

Su seguridad y la seguridad de los demás es muy importante.

Hemos incluido muchos mensajes importantes de seguridad en este manual y en su electrodoméstico. Lea y obedezca siempre todos los mensajes de seguridad.



Este es el símbolo de alerta de seguridad.

Este símbolo le llama la atención sobre peligros potenciales que pueden ocasionar la muerte o una lesión a usted y a los demás.

Todos los mensajes de seguridad irán a continuación del símbolo de advertencia de seguridad y de la palabra "PELIGRO" o "ADVERTENCIA". Estas palabras significan:

 **PELIGRO**

Si no sigue las instrucciones de inmediato, usted puede morir o sufrir una lesión grave.

 **ADVERTENCIA**

Si no sigue las instrucciones, usted puede morir o sufrir una lesión grave.

Todos los mensajes de seguridad le dirán el peligro potencial, le dirán cómo reducir las posibilidades de sufrir una lesión y lo que puede suceder si no se siguen las instrucciones.

INSTRUCCIONES IMPORTANTES DE SEGURIDAD

Al utilizar aparatos eléctricos, se deben seguir las precauciones básicas de seguridad, entre las que se incluyen las siguientes:

ADVERTENCIA: Para minimizar el riesgo de quemaduras, choque eléctrico, incendio, lesiones a las personas o exposición a energía de microondas excesiva:

- Lea todas las instrucciones antes de usar el horno microondas.
- Lea y siga las "PRECAUCIONES PARA EVITAR LA POSIBLE EXPOSICIÓN A ENERGÍA DE MICROONDAS EXCESIVA" específicas que se muestran en esta sección.
- El horno de microondas deberá estar conectado a tierra. Conéctelo solamente a un contacto debidamente conectado a tierra. Consulte las "INSTRUCCIONES DE CONEXIÓN A TIERRA" en esta sección y en las "INSTRUCCIONES DE INSTALACIÓN".
- Instale o ubique el horno microondas únicamente según las instrucciones de instalación proporcionadas.
- Algunos productos, como los huevos enteros con cáscara y los contenedores cerrados (por ejemplo, los frascos de vidrio cerrados) pueden explotar y, por ese motivo, no se deben calentar en el horno microondas.
- Utilice el horno microondas solo para su uso previsto como se indica en este manual. No utilice químicos corrosivos o vapores en el horno microondas. Este tipo de horno se encuentra diseñado específicamente para calentar, cocinar o secar alimentos.
- Como con cualquier aparato, si lo utilizan niños se necesita una estrecha supervisión.
- No use el horno microondas si el cable o enchufe se encuentran dañados, no está funcionando adecuadamente o ha sufrido daños o caídas.
- Solo personal calificado debe realizar el mantenimiento del horno microondas. Comuníquese con alguna empresa de servicio autorizada para su examen, reparación o ajuste.
- No cubra ni bloquee ninguna abertura del horno microondas.
- No use el horno de microondas cerca del agua – por ejemplo, cerca de un fregadero, en un sótano húmedo, o cerca de una piscina o lugares similares.
- No sumerja el cable ni el enchufe en agua.
- Mantenga el cable lejos de las superficies calientes.
- No deje que el cable cuelgue del borde de la mesa o del mostrador.
- Vea las instrucciones de limpieza de la superficie de la puerta en la sección "Cuidado del horno microondas".
- Para reducir el riesgo de incendio en la cavidad del horno:
 - No recueza los alimentos. Vigile el horno microondas si utiliza papel, plástico u otros materiales combustibles dentro de este para facilitar la cocción.
 - Retire las amarras de alambre de las bolsas de papel o plástico antes de introducir las en el horno.
 - Si algún material se prende fuego dentro del horno, mantenga la puerta cerrada, apague el horno y desenchúfelo o corte la corriente en el panel de fusibles o del disyuntor.
 - No deje productos de papel, utensilios de cocina o alimentos en la cavidad cuando no se encuentren en uso.

GUARDE ESTAS INSTRUCCIONES

INSTRUCCIONES IMPORTANTES DE SEGURIDAD

- Los líquidos, como el agua, café o té, se pueden sobrepasar del punto de ebullición sin que parezca que están hirviendo. La ebullición o las burbujas visibles no se encuentran siempre presentes al retirar el contenedor del horno microondas. **ESTO PUEDE TENER COMO RESULTADO LÍQUIDOS MUY CALIENTES QUE HIERVEN REPENTINAMENTE AL MOVER EL CONTENEDOR O INSERTAR UNA CUCHARA U OTRO UTENSILIO EN EL LÍQUIDO.**

A fin de reducir el riesgo de lesiones personales:

- No caliente el líquido más de lo necesario.
- Revuelva el líquido antes y mientras se calienta.
- No utilice contenedores de una pieza con cuello delgado.
- Después de calentarlo, deje reposar el contenedor en el horno de microondas por unos momentos antes de retirarlo.
- Tenga extremo cuidado al insertar una cuchara u otro utensilio en el contenedor.

GUARDE ESTAS INSTRUCCIONES

PRECAUCIONES PARA EVITAR LA POSIBLE EXPOSICIÓN A ENERGÍA EXCESIVA DE MICROONDAS

- (a) No intente operar este horno con la puerta abierta ya que esto puede resultar en exposición nociva a energía de microondas. Es importante no forzar o impedir la operación de las trabas de seguridad.
- (b) No ponga ningún objeto entre la cara frontal del horno y la puerta y no permita que se acumule polvo o residuos de limpiadores en las superficies de sellado.
- (c) No opere el horno si éste está dañado. Es particularmente importante que la puerta del horno cierre correctamente y que no haya daño en:
 - (1) La puerta (torcida),
 - (2) Bisagras y seguros (rotos o flojos),
 - (3) Sellos de la puerta y superficies de sellado.
- (d) El horno no debe ser ajustado o reparado por nadie, excepto personal de servicio calificado.

“Este dispositivo cumple con la parte 18 de las reglas de la FCC.
Este dispositivo cumple con la norma ICES-001 de Industry Canada.”

INSTRUCCIONES DE INSTALACIÓN

Desempaque

1. Retire todo el material de empaque del interior del horno microondas.
2. Limpie el interior con un paño suave húmedo.
3. Revise si hay daños, como:
 - Una puerta que no esté alineada correctamente,
 - Daños alrededor de la puerta, o
 - Abolladuras en el interior o el exterior del horno microondas.

Si hay algún daño, no use el horno microondas hasta que un técnico de servicio designado lo haya revisado y hecho cualquier reparación necesaria.

NOTA: Para evitar daños al horno microondas, no retire la cubierta de la entrada. Consulte la sección "Piezas y funciones".

Requisitos de ubicación

⚠ ADVERTENCIA

Peligro de Peso Excesivo

Use dos o más personas para mover e instalar el horno de microondas.

No seguir esta instrucción puede ocasionar una lesión en la espalda u otro tipo de lesiones.

IMPORTANTE: El lado de los controles del horno microondas es el lado pesado. Manipule el horno microondas con delicadeza. El peso del horno microondas supera las 35 libras (15,9 kg).

- Coloque el horno microondas en un carro, mostrador, mesa o estante lo suficiente fuerte como para sostener el horno microondas y la comida y los utensilios que se coloquen en el interior.
- El horno microondas deberá estar a una temperatura de más de 50 °F (10 °C) para que funcione adecuadamente.

NOTA: Algunos modelos pueden empotrarse en la pared o en un gabinete utilizando uno de los juegos de adorno que figuran en la sección "Asistencia o servicio técnico".

- Instale el microondas a una altura mínima de 36" (91,4 cm) del piso.
- No bloquee los ductos de escape ni los orificios de entrada de aire. Deje algunas pulgadas de espacio en la parte posterior y a los lados del horno microondas en donde se encuentran los ductos de escape. Si los ductos de escape se bloquean, se podrían producir daños en el horno microondas, así como resultados de cocción deficientes.
- Asegúrese de que las patas niveladoras estén en su lugar para garantizar el flujo de aire adecuado. Si los ductos se bloquean, un mecanismo térmico sensible podría apagar el horno microondas automáticamente. El horno microondas deberá funcionar correctamente una vez que se haya enfriado.

Requisitos eléctricos

⚠ ADVERTENCIA



Peligro de Choque Eléctrico

Conecte a un contacto de pared de conexión a tierra de 3 terminales.

No quite la terminal de conexión a tierra.

No use un adaptador.

No use un cable eléctrico de extensión.

No seguir estas instrucciones puede ocasionar la muerte, incendio o choque eléctrico.

Respete todas las normativas y reglamentos vigentes.

Se necesita:

- Un suministro eléctrico de 120 V, 60 Hz, CA solamente, de 15 A o 20 A con fusible o disyuntor.

Se recomienda:

- Un fusible o un disyuntor retardador.
- Un circuito separado que preste servicio solamente a este horno microondas.

INSTRUCCIONES PARA LA CONEXIÓN A TIERRA

- **Para todos los aparatos electrodomésticos de conexión con cable:**

El horno de microondas debe estar conectado a tierra. En caso de que se produzca un cortocircuito, la conexión a tierra reduce el riesgo de electrocución por medio de un alambre de escape para la corriente eléctrica. El horno de microondas está equipado con un cable que tiene un alambre de conexión a tierra con un enchufe para conexión a tierra. El enchufe debe estar conectado a un tomacorriente que está correctamente instalado y conectado a tierra.

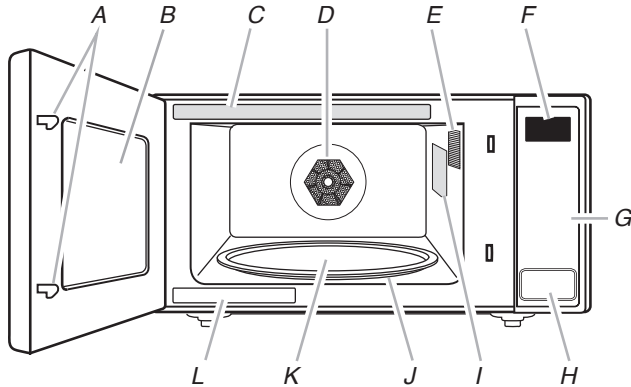
ADVERTENCIA: El uso incorrecto del enchufe para la conexión a tierra puede resultar en riesgo de electrocución. Consulte con un electricista o técnico calificado si las instrucciones para conexión a tierra no se entienden bien o si hay alguna duda con respecto a la correcta conexión a tierra del horno de microondas.

No use un cable de extensión. Si el cable de suministro eléctrico es muy corto, haga que un electricista o técnico calificado instale un tomacorriente cerca del horno de microondas.

GUARDE ESTAS INSTRUCCIONES

PIEZAS Y CARACTERÍSTICAS

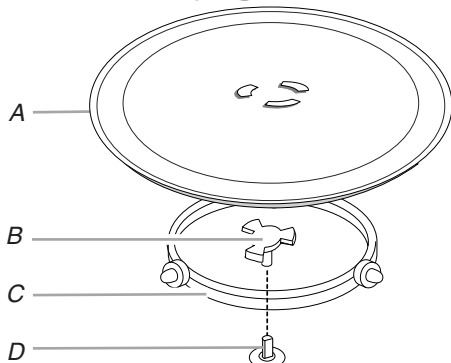
Este manual puede cubrir varios modelos diferentes. El modelo que adquirió puede tener algunas o todas las funciones que aparecen a continuación. La apariencia de su modelo en particular puede ser ligeramente diferente de las ilustraciones en este manual.



- | | | |
|--|---|--|
| A. Sistema de bloqueo de la puerta | I. Cubierta de entrada del microondas* | |
| B. Ventana | J. Soporte desmontable de bandeja giratoria | |
| C. Etiqueta con guía de cocción | K. Bandeja giratoria de vidrio | |
| D. Elemento de convección y ventilador | L. Placa de número de modelo y de serie | |
| E. Luz del horno microondas | <i>Piezas y funciones no mostradas: Elemento de asado (en el techo de la cavidad)</i> | |
| F. Pantalla | | |
| G. Panel de control | | |
| H. Botón de apertura de puerta | | |

***NOTA:** Para evitar daños en el horno microondas, no retire la cubierta de la entrada del microondas. Consulte la sección "Piezas y funciones".

Bandeja giratoria



- A. Bandeja giratoria
- B. Eje
- C. Soporte
- D. Eje

La bandeja giratoria puede rotar en ambas direcciones para ayudar a cocinar los alimentos de manera más pareja. Para obtener resultados de cocción óptimos, no utilice el horno microondas sin la bandeja giratoria en su lugar. Consulte la sección "Asistencia o servicio técnico" para volver a pedir alguna de las piezas.

Para instalar:

1. Coloque el soporte en la base de la cavidad del horno microondas.
2. Coloque la bandeja giratoria sobre el soporte.

Las líneas curvas elevadas del centro de la parte inferior de la bandeja giratoria deben encajarse entre los tres rayos del eje. Los rodillos del soporte deben encajar dentro del canal debajo de la bandeja giratoria.

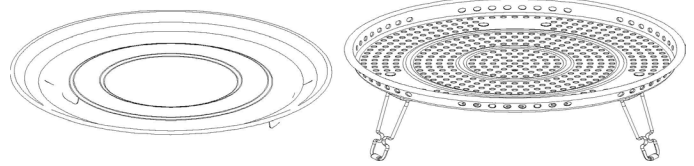
Elemento de asado

El horno microondas utiliza un elemento térmico de varilla para asar. La cavidad del horno microondas y la puerta se calentarán. Se recomienda el uso de guantes de cocina.

Elemento de convección y ventilador

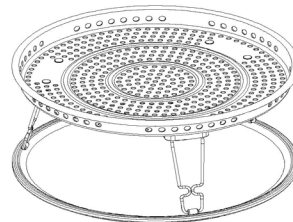
El sistema de convección del horno microondas está compuesto por un elemento de convección que se calienta en conjunto con el ventilador de convección para una cocción verdaderamente por convección. El sistema de convección está empotrado en la pared de la cavidad del horno microondas, detrás de la pantalla. Consulte la sección "Piezas y funciones". La cavidad del horno microondas y la puerta se calentarán. Se recomienda el uso de guantes de cocina.

Accesorios para asar y convección



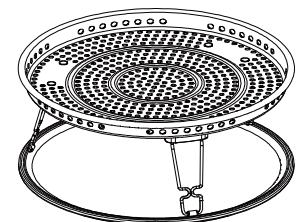
Configuraciones de los accesorios

Asar

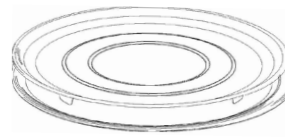


Hornear

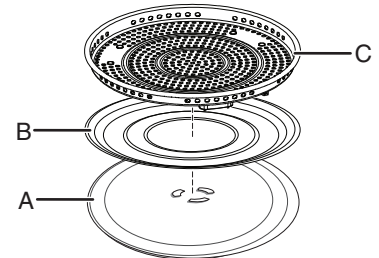
Freír con Aire



Rostizar



Bandeja para hornear



- A. Bandeja giratoria
- B. Bandeja para hornear
- C. Cesta para freír con aire (sin levantar las patas) y colóquela en la parte superior de la bandeja para hornear.

CONTROL DEL HORNO MICROONDAS



Pantalla

Cuando se suministre energía eléctrica al horno microondas por primera vez, aparecerá en la pantalla “12 Hr”. El usuario puede presionar el botón Timer/Clock (Temporizador/Reloj) o el botón “+/-” para alternar entre 12 o 24 horas en 10 segundos.

Presione el botón Start (Inicio) para confirmar. Si aparece en la pantalla “12:00” en cualquier otro momento, se ha producido un corte de corriente. Vuelva a configurar el reloj si es necesario. Consulte la sección “Reloj”.

Modo Standby

Cuando no se esté utilizando ninguna función, el horno microondas pasará al modo de espera.

Después de seleccionar la función, presione el botón STOP/Unlock (PARAR/Desbloquear) para salir de la selección de funciones. Si vuelve a presionar el botón STOP/Unlock (PARAR/Desbloquear) será inválido, ya que el modo de cocción no está activado.

Cuando el modo de cocción está activado y el usuario presione el botón Stop (Parar), el botón Stop/Unlock (Parar/Desbloquear), iniciarán al mismo tiempo. Presione el botón STOP/Unlock (PARAR/Desbloquear) de nuevo para cancelar la función y regresar al modo de espera.

Start (Inicio)

El botón Start (Inicio) iniciará cualquier función. Si se interrumpe la cocción sin sensor al abrir la puerta, al presionar el botón Start (Inicio) se reanudará el ciclo.

NOTA: Para evitar el funcionamiento no intencional del horno microondas, una función de cocción no se puede poner en marcha si la puerta del horno microondas ha estado cerrada por aproximadamente 1 minuto. La palabra “door” (puerta) aparecerá en la pantalla hasta que la puerta se abra y se cierre.

Quick Start/Add 30 seconds (Inicio rápido/Agregar 30 segundos)

En el modo de espera, al presionar Start (Inicio) el horno microondas arranca automáticamente al 100 % de potencia durante 30 segundos y añade 30 segundos de tiempo de cocción, con cada pulsación adicional del control. Se puede añadir tiempo a cualquier ciclo de cocción manual en incrementos de 30 segundos, en el nivel de potencia del momento, presionando el botón Start (Inicio) durante la cocción.

Stop/Unlock (Parar/Desbloquear)

El botón Stop/Unlock (Parar/Desbloquear) borrará cualquier comando incorrecto y anulará cualquier programa durante la cocción. Presione el botón Stop/Unlock (Parar/Desbloquear) para parar el ciclo. No se borrará la hora del día.

El horno microondas también se apagará cuando la puerta se abra. Cierre la puerta y presione Start (Inicio) para reanudar el ciclo.

Para utilizar el menú sin sensor (Popcorn, Potato [Palomitas de maíz, Papas])

1. Ponga la comida en la bandeja giratoria y cierre la puerta.
2. Toque el control de menú deseado. Aparecerá en la pantalla la primera cantidad programada. Toque el teclado de control repetidamente o toque los teclados numéricos para cambiar la cantidad.
3. Toque Start (Inicio). Cuando termine el ciclo, “END” (FIN) en la pantalla y sonará el tono de fin de ciclo.
4. Toque Stop/Unlock (Parar/Desbloquear) o abra la puerta para despejar la pantalla.

Clock (Reloj)

Para ajustar:

El horno microondas debe estar en modo de espera.

1. Presione el botón Timer/Clock (Temporizador/Reloj) durante 3 segundos para entrar en la configuración del reloj. También aparecerá cada vez que el producto se conecte a la fuente de energía, o cuando esta regrese después de una falla.
2. Presione el botón "+/-" para ajustar la hora.
3. Presione el botón Start (Inicio) para confirmar.
4. Presione el botón "+/-" para ajustar los minutos.
5. Presione el botón Start (Inicio) para confirmar el ajuste.

Tones ON/OFF (ENCENDIDO/APAGADO de los tonos)

Esta función le permite al usuario activar o desactivar todos los sonidos que reproducen los electrodomésticos, incluye pulsación de botón, advertencias, alarma e incluso retroalimentación de audio final.

Mantenga presionado el botón Steam Clean (Limpieza con Vapor) por 5 segundos para ponerlo en silencio, vuelva a mantenerlo presionado por 5 segundos para volver a encender el sonido.

"Esta función puede funcionar en cualquier momento" en la función de encendido/apagado de tonos.

Para utilizar el menú del sensor (Menú Reheat, Cook [Recalentar, Cocinar])

1. Coloque la comida en la bandeja giratoria y cierre la puerta.
2. Toque el control de menú deseado.
3. Toque Start (Inicio), la animación del segmento en marcha aparecerá en la pantalla. El horno microondas se pondrá en marcha y comenzará la cocción por sensor. El segmento en marcha permanecerá en la pantalla hasta que el sensor haya determinado el tiempo de cocción restante.



4. Cuando termine el ciclo, aparecerá "END" (FIN) en la pantalla y sonará el tono de fin de ciclo.
5. Toque Stop/Unlock (Parar/Desbloquear) o abra la puerta para despejar la pantalla.

(NOTA: Salsa [Salsa], Soup [Sopa] y Beverage [Bebida] en Reheat Menu [Menú para Recalentar], Potato [Papa] en Cook Menu [Menú de Cocción] sin utilizar la cocción por sensor).

Timer (Temporizador)

Para ajustar:

1. Presione el botón Timer/Clock (Temporizador/Reloj).
2. Presione el botón "+/-" para introducir la hora deseada.
3. Presione el botón Start (Inicio). Cuando finaliza el tiempo programado, el fin de temporizador.
4. Cuando la cuenta atrás del temporizador se alcance en la pantalla, sonará un tono. Presione el botón Stop/Unlock (Parar/Desbloquear) para parar el temporizador.

NOTA: El temporizador no pone en marcha ni detiene el horno microondas. La función se puede configurar solo en el modo de espera.

Fin de la cocción

Cuando termine la cocción, la pantalla mostrará el texto "End" (Fin). Se emitirá un pitido acústico recordatorio.

NOTA: Si el tiempo de cocción es superior a 2 minutos, después de finalizar la cocción, el ventilador de enfriamiento y el ventilador de convección forzada están ON (ENCENDIDO) durante 3 minutos, la lámpara de la cavidad está OFF (APAGADA), lo que está ayudando a enfriar el componente para tener una mejor calidad.



1. Después de terminada la cocción, si presiona el botón Stop/Unlock (Parar/Desbloquear), saca la comida y vuelve a cerrar la puerta, la interfaz mostrará el reloj, cambiará a la apertura de puerta de un paso.
2. Si no saca la comida en 30 minutos, mostrará consistentemente "END" (FIN) por 30 minutos y regresará automáticamente al modo en espera y se desbloqueará después de 30 minutos y cambiará a la apertura de puerta de un paso.

Instrucciones del teclado

Teclado	Función	Instrucciones
Timer (Temporizador) (Clock Hold 3 sec [Mantener presionado Reloj 3 seg])	Mantenga presionado para configurar el reloj	Para ajustar el reloj, siga las instrucciones a continuación: <ol style="list-style-type: none"> 1. Presione Timer (Temporizador) por 3 segundos para ingresar a los ajustes del reloj. 2. Presione el botón “+/-” para ajustar la hora, presione el botón Start (Inicio) para confirmar. 3. Presione el botón “+/-” para ajustar el minuto. 4. Presione el botón Start (Inicio). <p>NOTA: El horno microondas debe estar en modo de espera. También aparecerá cada vez que se conecte el producto. La pantalla muestra “12 Hr” (“12” parpadea), use “+/-” para cambiar el formato de 12 o 24 horas, presione Start (Inicio) para confirmar; luego la pantalla muestra “12:00”.</p>
Timer (Temporizador) (Clock Hold 3 sec [Mantener presionado Reloj 3 seg])	Configurar el temporizador de cocina	El temporizador de cocina funciona como un cronómetro. Para configurar el temporizador de cocina, siga las instrucciones a continuación: <ol style="list-style-type: none"> 1. Presione el botón de Timer (Temporizador). 2. Presione el botón “+/-” para introducir la hora deseada. 3. Presione el botón Start (Inicio). <p>NOTA: Cuando la cuenta regresiva del temporizador está activa en la pantalla, toque Stop/Unlock (Parar/Desbloquear) para parar el temporizador. El temporizador no pone en marcha ni detiene el horno microondas.</p>
Start (Inicio) (Add 30 sec [Agregar 30 seg])	Agregar 30 segundos	El botón Start (Inicio) puede utilizarse de dos maneras: <ol style="list-style-type: none"> 1. Para poner en marcha el microondas cocinando durante 30 segundos a plena potencia en modo de espera. 2. Para aumentar el tiempo de cocción con incrementos de 30 segundos. Cada pulsación añade 30 segundos.
Start (Inicio) (Add 30 sec [Agregar 30 seg])	Función de inicio	Presione el botón Start (Inicio) para iniciar cualquier función de cocción. Si se interrumpe la cocción al abrir la puerta, toque el botón Start (Inicio) después de cerrar la puerta nuevamente para reanudar el ciclo.
Stop/Unlock (Parar/Desbloquear)	Función pausar/parar del microondas	El botón Stop/Unlock (Parar/Desbloquear) detiene todas las funciones del horno microondas, con excepción del reloj. El horno microondas también se apagará cuando la puerta se abra. Cuando se abra la puerta, los elementos se apagarán pero la luz del horno microondas seguirá encendida. Cierre la puerta y toque el botón Start (Inicio) para reanudar el ciclo.
Stop/Unlock (Parar/Desbloquear)	Apertura de puerta de 2 pasos	Este microondas viene con la función añadida de una funcionalidad de apertura de puerta de 2 pasos para evitar el acceso no deseado. El botón Stop/Unlock (Parar/Desbloquear) puede usarse para pausar la función durante el tiempo de cocción o cuando este finalice. El botón Stop/Unlock (Parar/Desbloquear) puede usarse para la apertura de puerta de 2 pasos: <ol style="list-style-type: none"> 1. Una vez que establezca el tiempo de cocción y presione el botón Start (Inicio), aparecerá el ícono de puerta cerrada en la pantalla. 2. Para abrir el microondas: <ul style="list-style-type: none"> ■ Presione Stop/Unlock (Parar/Desbloquear). ■ Presione el botón para abrir la puerta. <p>NOTA: Una vez que presione el botón Stop/Unlock (Parar/Desbloquear) para parar/pausar cualquier función, desaparecerá el ícono de puerta cerrada por 10 segundos y podrá presionar el botón para abrir la puerta. Volverá aparecer el ícono de puerta cerrada después de 10 segundos y necesitará repetir los pasos 1 y 2 para volver a abrirla.</p> <p>NOTA: Cuando la máquina se enciende después de enchufarla, la función de puerta de 2 pasos no se activará. Si un ciclo de cocción comienza después de que se cierra la puerta, se requieren 2 pasos para abrir la puerta. Una vez que se hayan utilizado los 2 pasos para abrir la puerta, si ésta se cierra y no se aplica energía para cocinar, puede abrirla simplemente presionando el botón de apertura de la puerta.</p>

Teclado	Función	Instrucciones
		<p>NOTA: Este microondas viene con la función añadida de una funcionalidad de apertura de puerta de 2 pasos para evitar el acceso no deseado. Cuando los niños no tienen acceso al electrodoméstico, hay una función de desactivación si no se necesita la funcionalidad de 2 pasos.</p> <p>Deshabilitar/habilitar la operación de la función de puerta de 2 pasos en la pantalla</p> <p>Pasos para desactivar el funcionamiento de la función de puerta de 2 pasos:</p> <ol style="list-style-type: none"> 1. Después de presionar el botón Stop/Unlock (Parar/Desbloquear) durante 3 segundos, se mostrará "DI:_0" en la pantalla. 2. Después de presionar el botón "+", aparecerá "DI:_1" en la pantalla. 3. Presione el botón Start (Inicio) para confirmar. <p>NOTA: DI (DEACTIVAR)</p> <p>NOTA: Si desconecta el microondas, recordará la última operación. No necesitará desactivar o activar de nuevo la función de 2 pasos de la puerta.</p> <p>Pasos para activar el funcionamiento de la función de puerta de 2 pasos:</p> <ol style="list-style-type: none"> 1. Después de presionar el botón Stop/Unlock (Parar/Desbloquear) durante 3 segundos, se mostrará "EA:_0" en la pantalla. 2. Después de presionar el botón "+", aparecerá "EA:_1" en la pantalla. 3. Presione el botón Start (Inicio) para confirmar. <p>NOTA: EA (ACTIVAR)</p> <p>IMPORTANTE: La desactivación de esta función solo debe realizarse cuando el propietario esté seguro y los niños no estén presentes.</p>
1 min-6 min	Inicio rápido	<p>La potencia predeterminada es completa en esta función (P100). "Presione 1 min, 2 min... o 6 min para comenzar con el tiempo mencionado en el botón".</p>
Cook time (Tiempo de Cocción)	Configurar la cocción	<p>Presione el botón "Cook Time" (Tiempo de Cocción) para ajustar el tiempo de cocción manual. El nivel de potencia predeterminado es 100 %. Presione el botón "+/-"/1 min-6 min para ajustar el tiempo de cocción, siga las instrucciones siguientes:</p> <ol style="list-style-type: none"> 1. Presione el botón "Cook Time" (Tiempo de Cocción), en la pantalla aparecerá "0:15". 2. Presione el botón "+/-"/1 min-6 min para ajustar el tiempo de cocción. 3. Presione el botón Start (Inicio) para comenzar. <p>NOTA: Presione el botón "Power" (Potencia) para aumentar/disminuir los niveles de potencia de forma cíclica P10 P20 P30.....P100.</p>
Cook Power (Potencia de Cocción)	Configurar la cocción	<p>Presione el botón "Cook Power" (Potencia de Cocción) para ajustar el encendido manual. El nivel de potencia predeterminado es 100 %. Presione el botón Cook Power (Potencia de Cocción) o el botón "+/-" para cambiar el nivel de potencia.</p> <p>Por ejemplo, para configurar el tiempo a 2:30 con 90 % de potencia.</p> <ol style="list-style-type: none"> 1. Presione el botón Cook Power (Potencia de Cocción), en la pantalla aparecerá P100. 2. Presione el botón - para reducir el nivel de potencia al 90% (P90 en la pantalla). 3. Presione el botón Start (Inicio) para confirmar y pasar al ajuste del tiempo de cocción, por defecto aparecerá "0:15" en la pantalla. 4. Presione el botón "+/-" para ajustar el tiempo de cocción a "2:30". 5. Presione el botón Start (Inicio). <p>NOTA: Durante el proceso de cocción, la pantalla mostrará "Turn or Add Food" (Girar o Agregar alimentos) (solo para algunos alimentos), presione el botón Stop/Unlock (Parar/Desbloquear) para activar la función de desbloqueo y agregue o gire los alimentos usando el botón para abrir la puerta. Cuando presiona el botón Stop/Unlock (Parar/Desbloquear) de nuevo se detendrá la función de cocción y el horno microondas cambiará a modo de espera</p>
Popcorn (Palomitas de maíz)	Palomitas de maíz	<p>Para usar el preajuste Popcorn (Palomitas de maíz), siga las instrucciones a continuación:</p> <ol style="list-style-type: none"> 1. Presione repetidamente el botón "Popcorn" (Palomitas de maíz) para seleccionar el tamaño de la bolsa (3,0 o 3,5 oz). 2. Presione el botón Start (Inicio).

Teclado	Función	Instrucciones
Defrost (Descongelar)	Menú para descongelar	<p>La función Defrost (Descongelar) ayuda a descongelar los alimentos congelados. Para descongelar, siga las instrucciones a continuación:</p> <ol style="list-style-type: none"> 1. Presione el botón “Defrost” (Descongelar), en la pantalla aparecerá P1. 2. Presione el botón “Defrost” (Descongelar) o los botones “+ /-” para seleccionar Descongelado Manual, o la clase de alimento que desee. P1 ... P4. 3. Presione el botón Start (Inicio) para confirmar. <p>P1-Descongelado manual:</p> <ol style="list-style-type: none"> 4. El tiempo por defecto “0:30” aparecerá en la pantalla. 5. Presione el botón “+/-” para ajustar el tiempo de descongelación. 6. P2-P4 Presione el botón Start (Inicio). <p>P2-P4 Descongelado automático (Aves, Carne, Pescado):</p> <ol style="list-style-type: none"> 4. La pantalla mostrará el peso por defecto. 5. Presione el botón “+/-” para ajustar el peso deseado. 6. Presione el botón Start (Inicio).
Cook (Cocción)	Menú de cocción automática	<p>Para usar los preajustes de cocción automática, siga las instrucciones a continuación:</p> <ol style="list-style-type: none"> 1. Presione el botón “Cook Menu” (Menú de Cocción), en la pantalla aparecerá “P1”. 2. Utilice el botón “+/-” o “Cook Menu” (Menú de Cocción) para seleccionar una categoría de alimentos. 3. Presione el botón Start (Inicio). <p>NOTA: Consulte la sección Cocinar de esta guía para conocer la categoría de alimentos o el adhesivo de referencia en la placa frontal de los microondas.</p> <ol style="list-style-type: none"> 4. Cocción por sensor: Un sensor en el horno microondas detecta la humedad que se libera de los alimentos mientras se calientan y ajusta el tiempo de cocción en consecuencia. (Para la cocción sin sensor, la pantalla mostrará el peso por defecto. Presione el botón “+/-” para ajustar el peso deseado. Pulse el botón Start (Inicio).
Soften/Melt (Ablandar/Derretir)	Menú para Ablandar/Derretir	<p>La función Soften/Melt (Ablandar/Derretir) se utiliza para ablandar/derretir alimentos. Forma de uso:</p> <ol style="list-style-type: none"> 1. Presione el botón “Soften/Melt” (Ablandar/Derretir), la pantalla mostrará “P1”. 2. Utilice el botón “Soften Menu” (Menú para Ablandar) o el botón “+/-” para seleccionar una categoría de alimentos, consulte la sección Menú para ablandar de esta guía para conocer la categoría de alimentos o consulte el adhesivo en la puerta del microondas. Presione el botón Start (Inicio) para confirmar. 3. Utilice el botón “+/-” para ajustar la cantidad. 4. Presione el botón Start (Inicio).
Reheat (Recalentar)	Recalentar automáticamente	<p>Para recalentar con las funciones preestablecidas, siga las instrucciones a continuación:</p> <ol style="list-style-type: none"> 1. Presione el botón “Reheat” (Recalentar), en la pantalla aparecerá “P1”. 2. Utilice el botón “+/- o” “Reheat” (Recalentar) para seleccionar una categoría de alimentos. Consulte la sección RECALENTAR de esta guía para conocer la categoría de alimentos o el adhesivo de referencia en la placa frontal de los microondas. 3. Presione el botón Start (Iniciar). 4. Cocción por sensor (excepto Salsa, Sopa y Bebida): un sensor en el horno microondas detecta la humedad que desprenden los alimentos al calentarse y ajusta el tiempo de cocción en consecuencia. (Al seleccionar Salsa, Sopa y Bebida la pantalla mostrará el peso por defecto. Presione el botón “+/-” para ajustar el peso deseado. Pulse el botón Start (Inicio).

Teclado	Función	Instrucciones
Keep Warm (Mantener Caliente)	Mantener Caliente	<p>La función permite mantener calientes sus platos. Forma de uso:</p> <ol style="list-style-type: none"> 1. Presione el botón "Keep Warm" (Mantener Caliente), en la pantalla aparecerá la hora predeterminada "30:00". 2. Presione "Keep Warm" (Mantener Caliente) o el botón "+/-" para seleccionar 15 minutos, 30 minutos, 45 minutos o 60 minutos. 3. Presione el botón Start (Inicio). <p>NOTA: El ciclo Keep Warm (Mantener Caliente) tiene una duración de 15 minutos (por defecto 30 minutos), el tiempo máximo es de 60 minutos.</p> <p>Cada ciclo de 15 minutos, el microondas se encenderá 1,5 minutos, después la lámpara de la cavidad y el ventilador se apagarán, solo se mostrará el tiempo de la cuenta regresiva.</p>
Air Fry (Freír con Aire)	Freír con Aire (utilice el accesorio Air Fry)	<p>Cuando se utiliza el accesorio Air Fry, la función permite cocinar friendo con aire. Forma de uso:</p> <ol style="list-style-type: none"> 1. Presione "Air Fry" (Freír con Aire), la pantalla mostrará "P1". 2. Utilice el botón "Air Fry" (Freír con Aire) o el botón "+ /-" para seleccionar una categoría de alimentos, consulte la sección Freír con aire de esta guía para conocer la categoría de alimentos o consulte el adhesivo de la puerta del microondas. Presione el botón Start (Inicio) para confirmar. <p>P1-Freír con aire manualmente:</p> <ol style="list-style-type: none"> 3. La temperatura predeterminada "400° F" aparecerá en la pantalla. 4. Presione el botón "+ /-" para ajustar la temperatura de cocción. 5. Presione el botón Start (Inicio) para confirmar, la pantalla mostrará la hora por defecto "00:30". 6. Presione el botón "+/-" para ajustar el tiempo de cocción. 7. Presione el botón Start (Inicio). <p>P2-P8 Menú para freír con aire automático:</p> <ol style="list-style-type: none"> 3. La pantalla mostrará el peso/cantidad por defecto. 4. Presione el botón "+/-" para ajustar el peso deseado. 5. Presione el botón Start (Inicio).
Bake/Roast (Hornear/ Rostizar)	Hornear (usar bandeja para horno) / Rostizar (usar accesorio Air Fry sin las patas y poner en la bandeja para horno)	<p>Esta función permite la cocción Bake/Roast (Hornear/Rostizar). Forma de uso:</p> <ol style="list-style-type: none"> 1. Presione "Bake/Roast" (Hornear/Rostizar), la pantalla mostrará "P1". 2. Utilice el botón "Bake/Roast" (Hornear/Rostizar) o el botón "+/-" para seleccionar una categoría de alimentos, consulte la sección Hornear/Rostizar de esta guía para conocer la categoría de alimentos o consulte el adhesivo de la puerta del microondas. Presione el botón Start (Inicio) para confirmar. <p>P1- Hornear manual, P-8 Rostizar manual:</p> <ol style="list-style-type: none"> 3. La temperatura predeterminada "400° F" aparecerá en la pantalla. 4. Presione el botón "+ /-" para ajustar la temperatura de cocción. Presione el botón Start (Inicio) para confirmar. "Preheat" (Precalentar) aparecerá y parpadeará en la pantalla, esperando a que el cliente confirme el precalentamiento presionando Start (Inicio). <p></p> <ol style="list-style-type: none"> 5. Tras presionar Start (Inicio) para confirmar, la animación se mostrará en la pantalla para indicar que está en precalentamiento. <p></p> <p>(NOTA: Los clientes pueden omitir el precalentamiento presionando el botón "+/-" cuando "Pre-Heat" (Precalentar) parpadea en la pantalla, se pasará al modo de ajuste del tiempo de cocción.)</p> <p>Una vez alcanzada la temperatura, la pantalla mostrará "Add Food" (Añadir alimentos) para recordárselo a los clientes; después de introducir los alimentos y cerrar la puerta, la pantalla mostrará el modo de tiempo de cocción.</p> <ol style="list-style-type: none"> 6. Presione el botón Start (Inicio) para confirmar, la pantalla mostrará la hora por defecto "00:30". 7. Presione el botón "+/-" para ajustar el tiempo de cocción. 8. Presione el botón Start (Inicio). <p>P2-P7 Menú de horneado automático, P9-P12 Menú de rostizado automático</p> <ol style="list-style-type: none"> 3. La pantalla mostrará el peso/cantidad por defecto. 4. Presione el botón "+/-" para ajustar el peso deseado. 5. Presione el botón Start (Inicio). <p>Nota: Cuando aparezca en pantalla ADD FOOD (AÑADIR ALIMENTOS) tras alcanzar la temperatura de precalentamiento, si la puerta no está abierta, la máquina mantendrá el calor durante 30 minutos antes de volver al estado de reposo. Si la puerta está abierta, el usuario tiene que introducir los alimentos en el plazo de 1 minuto o pasará al estado de REPOSO.</p>

Teclado	Función	Instrucciones
Grill (Asar)	Cocinar a la parrilla (utilice el accesorio Air Fry)	La función permite cocinar a la parrilla. Forma de uso: <ol style="list-style-type: none"> 1. Presione el botón "Grill" (Asar), en la pantalla aparecerá la hora predeterminada "00:30". 2. Presione el botón "+/-" para ajustar el tiempo de cocción. 3. Presione el botón Start (Inicio).
Steam Clean (Limpieza con Vapor)	Ciclo de limpieza automática	El ciclo de limpieza ayudará a limpiar la cavidad del horno microondas. <ol style="list-style-type: none"> 1. Ponga 1 taza de agua (~250 ml) en el centro de la cavidad. 2. Presione el botón "Steam Clean" (Limpieza con Vapor), en la pantalla aparecerá la hora predeterminada "13:00". 3. Presione el botón Start (Inicio) para iniciar la función. Después de terminar el ciclo de calentamiento del agua (3 minutos) la lámpara de la cavidad y el ventilador se apagarán y la pantalla mostrará el tiempo de cuenta regresiva. <p>NOTA: Siga los consejos y sugerencias de la sección Limpieza con vapor. Después de calentar el agua, la lámpara de la cavidad y el ventilador se apagarán y la pantalla mostrará el tiempo de cuenta regresiva.</p>
Tone ON/OFF (ENCENDIDO/ APAGADO de los tonos)	Activar o desactivar el pitido	La función permite activar o desactivar el sonido del pitido: <ol style="list-style-type: none"> 1. Presione el botón Steam Clean (Limpieza con Vapor) y manténgalo presionado durante 5 segundos para silenciarlo, en la pantalla aparecerá el icono de tono apagado. 2. Mantenga presionado el botón de nuevo durante 5 segundos para activar el sonido.

USO DEL HORNO MICROONDAS

El magnetrón del horno microondas produce microondas que se reflejan del piso de metal, las paredes y el techo y atraviesan la bandeja giratoria y los utensilios adecuados hasta los alimentos. La grasa, el azúcar y las moléculas de agua de los alimentos atraen y absorben las microondas, que los hace mover y producir la fricción y el calor que cocinan los alimentos.

- Para evitar daños al horno microondas, no se apoye en la puerta ni permita que los niños jueguen con ella.
- Para evitar daños al horno microondas, no lo haga funcionar vacío.
- Los biberones y los tarros de comida para bebé no se deben calentar en el horno microondas.
- No se debe secar en el horno microondas ropa, flores, fruta, hierbas, madera, calabazas ni papel, incluidas las bolsas de papel marrón y el papel de periódico.
- La cera de parafina no se derretirá en el horno porque no absorbe las microondas.
- Use guantes para hornear o agarraderas para retirar recipientes del horno microondas.
- No recueza las papas. Al cabo del tiempo de cocción recomendado, las papas deberán estar ligeramente firmes. Déjelas reposar durante 5 minutos. Se terminarán de cocinar durante el reposo.
- No cocine ni recaliente huevos enteros dentro de la cáscara. La acumulación de vapor en los huevos enteros hacer que exploten y se requiera una limpieza importante de la cavidad del horno microondas. Cubra los huevos escalfados y déjelos reposar por cierto tiempo.

Características de los alimentos

Al cocinar con microondas, la cantidad, el tamaño y la forma, la temperatura de inicio, la composición y la densidad de los alimentos afectan los resultados de la cocción.

Cantidad de alimentos

Cuanto mayor sea la cantidad de alimentos que se caliente simultáneamente, más tiempo de cocción se necesitará. Verifique el grado de cocción y agregue breves incrementos de tiempo si fuera necesario.

Tamaño y forma

Los pedazos de alimentos más pequeños se cocinarán con mayor rapidez que los pedazos grandes y los alimentos de forma pareja se cocinarán con mayor uniformidad que los de forma irregular.

Temperatura inicial

Los alimentos que estén a temperatura ambiente se calentarán con mayor rapidez que los refrigerados y los alimentos refrigerados se calentarán con mayor rapidez que los congelados.

Composición y densidad

Los alimentos con alto contenido de grasa y de azúcar alcanzarán mayor temperatura y se calentarán con mayor rapidez que otros alimentos. Los alimentos pesados y densos, como la carne y papas necesitan un tiempo de cocción más prolongado que el mismo tamaño de alimentos con densidad ligera y porosa como los pasteles o tortas.

Pautas para cocinar

Cubrir

Cubrir los alimentos ayuda a retener la humedad, acortar el tiempo de cocción y producir menos salpicaduras. Use la tapa provista con los utensilios de cocina. Si no tiene una tapa, puede usar papel de cera, toallas de papel o envoltorios de plástico aptos para hornos microondas. Los envoltorios de plástico se deben doblar en una esquina para proporcionar una abertura para que salga el vapor. La condensación en la puerta y en las superficies de la cavidad es normal durante una cocción intensa.

Revolver y voltear los alimentos

Al revolver y voltear los alimentos, el calor se redistribuye uniformemente y se evita recocer los bordes exteriores de los alimentos. Revuelva de afuera hacia el centro. De ser posible, dé vuelta los alimentos de abajo hacia arriba.

Disponer los alimentos

Al calentar alimentos de tamaño irregular o de diversos tamaños, las partes más delgadas y los alimentos más pequeños deben disponerse hacia el centro. Al cocinar varios alimentos del mismo tamaño y forma, colóquelos en círculo, dejando vacío el centro del círculo.

Pinchar los alimentos

Antes de calentar, use un tenedor o un cuchillo pequeño para pinchar o hacer piquetes en los alimentos que tienen cáscara o piel, como las papas, yemas de huevo, hígados de pollo, perros calientes y salchichas. Perfore en varios lugares para dejar que salga el vapor.

Proteger los alimentos

Use pedazos pequeños y planos de papel de aluminio para proteger las partes delgadas de alimentos de forma irregular, huesos y alimentos como las alas de pollo, puntas de patas de pollo y colas de pescado. Consulte primero la sección "Papel de aluminio y metal".

Tiempo de reposo

Los alimentos continuarán cocinándose por la conducción natural del calor aún después de terminado el ciclo de cocción por microondas. La duración del tiempo de reposo depende del volumen y la densidad de los alimentos.

Utensilios de cocina y vajilla

Los utensilios de cocina y la vajilla deben caber en la bandeja giratoria. Siempre use guantes para hornear o agarraderas para manipular los utensilios, ya que cualquier plato puede calentarse por el calor transferido de los alimentos. No use utensilios ni vajilla con bordes dorados o plateados. Use el cuadro siguiente a modo de guía y luego pruebe los utensilios antes de utilizarlos.

Material	Recomendaciones
Papel de aluminio, metal	Consulte la sección "Papel de aluminio y metal".
Plato para dorar	El fondo debe estar al menos a 3/16" (5 mm) por encima de la bandeja giratoria. Siga las recomendaciones del fabricante.
Vidrio de cerámica, vidrio	Se puede usar
Porcelana, loza de barro	Siga las recomendaciones del fabricante.
Melamina	Siga las recomendaciones del fabricante.
Papel: Toallas, vajilla, servilletas	Use papel no reciclado y los que el fabricante apruebe como aptos para horno microondas.
Plástico: Envoltorios, bolsas, cubiertas, vajilla, recipientes	Use los que el fabricante apruebe como aptos para horno microondas.
Cerámica y arcilla	Siga las recomendaciones del fabricante.
Utensilios para hornear de silicona	Siga las recomendaciones del fabricante.
Recipientes de paja, de mimbre y de madera	No los use en el horno microondas.
Papel de cera	Se puede usar

Para probar los utensilios de cocina o la vajilla que se usarán en el microondas:

- Coloque los utensilios de cocina o vajilla en el horno microondas con 1 taza (250 ml) de agua al lado.
- Cocine a una potencia del 100 % durante un minuto. No use el utensilio de cocina ni la vajilla si se pone caliente y el agua permanece fría.

Papel de aluminio y metal

Siempre use guantes para hornear o agarraderas al retirar los recipientes del horno microondas.

El papel de aluminio y algunos tipos de metal pueden usarse en el horno microondas. Si no se usan debidamente, pueden producir chispas (ráfagas azules de luz) y causar daños al horno microondas.

Uso permitido

Las rejillas y los utensilios para hornear provistos con el horno microondas (en algunos modelos), el papel de aluminio para protección y los termómetros para carne aprobados se pueden utilizar teniendo en cuenta las siguientes pautas:

- Para evitar daños al horno microondas, no permita que el papel de aluminio o el metal toquen las paredes, el techo o el piso de la cavidad interior.
- Siempre use la bandeja giratoria.
- Para evitar daños al horno microondas, evite el contacto con otros objetos metálicos durante la cocción por microondas.

Uso no permitido

No se deben utilizar en el horno microondas utensilios de cocina y de hornear metálicos, oro, plata, peltre, termómetros para carne no aprobados, pinchos, precintos, forros de papel metálico como envoltorios para emparedados, grapas y objetos con bordes de oro o plata con glaseado metálico.

Para usar con el elemento de asar

Utilice la parrilla alta para asar suministrada con una bandeja apta para horno para recoger los goteos.

Para utilizar con el sistema de convección

Utilice la parrilla de convección corta suministrada y una fuente de horno para hornear por convección.

Utilice la parrilla de convección corta suministrada y una fuente de horno apta para microondas para rostizar por convección.

Cook (Cocinar)

El horno microondas ha sido programado con alimentos comunes que se pueden poner en microondas, sus cantidades, potencias y tiempos de cocción.

Use la siguiente tabla como guía para la cocción programada.

Elemento	Categoría de alimento	Cantidad
P1	Papa - Grande Ingrese de 1 a 4 piezas, 8-10 oz (227-283 g) cada una. Pinche cada papa varias veces con un tenedor. Coloque sobre una toalla de papel, sobre el centro de la bandeja giratoria. Deje reposar 5 minutos después de la cocción.	1-4 piezas/ 1 pieza
P2	Papa - Pequeña Ingrese de 1 a 16 piezas, 3-5 oz (85-141 g) cada una. Pinche cada papa varias veces con un tenedor. Coloque sobre una toalla de papel, sobre el centro de la bandeja giratoria. Deje reposar 5 minutos después de la cocción.	1-16 piezas/ 1 pieza
P3	Verduras frescas De temperatura ambiente. Ponga los alimentos en un plato apto para microondas. Añada 2 cucharadas de agua a 1-2 tazas, añada 4 cucharadas de agua a 3-4 tazas. Cubra el plato y deje ventilación de aire. Revuelva y deje reposar 2 o 3 minutos después de la cocción.	1-4 tazas (Cocción por sensor)
P4	Verduras congeladas Colóquelas en un recipiente apto para microondas y agregue 2 a 4 cucharadas de agua. Cubra con un envoltorio de plástico y perforo un orificio de ventilación. Revuelva y deje reposar 2 o 3 minutos después de la cocción.	1-4 tazas (Cocción por sensor)
P5	Avena Colóquelo en un recipiente apto para microondas y añada agua según las instrucciones del envase. Añada agua, cúbralo con envoltorio de plástico y doble un borde hacia atrás unas 1/4" (6 mm) para hacer un orificio de ventilación. Coloque el recipiente en el centro del horno. Tras la cocción, remueva con una cuchara o batidor hasta que quede uniforme.	1-4 tazas/ (Cocción por sensor)

P6	<p>Plato principal congelado</p> <p>Retire el entrante del envase y afloje el film que lo recubre en 3 de sus lados, dejando uno de los lados cortos aún pegado. Cubra sin apretar con film.</p> <p>Deje reposar los entrantes de 10,5 y 20 oz (297 y 567 g) durante 3 minutos.</p> <p>Deje reposar los entrantes de 38 y 60 oz (1,1 y 1,7 kg) durante 5 minutos.</p>	<p>10 oz, 20 oz, 40 oz, 60 oz (283 g, 567 g, 1,1 kg, 1,7 kg)</p>
----	--	--

Popcorn (Palomitas de maíz)

Bolsas de 3 o 3,5 oz.

- No use bolsas de papel común ni utensilios de vidrio.
- Haga reventar un solo paquete de palomitas de maíz a la vez.
- Cuando use un recipiente especial para preparar palomitas de maíz en microondas, siga las instrucciones del fabricante.
- Escuche hasta que se reduzca la velocidad del proceso de estallado a uno cada 1 o 2 segundos; después, detenga el ciclo.
- No trate de hacer estallar de nuevo los granos que no estallaron.
- Para obtener resultados óptimos, use bolsas de maíz para estallar frescas.
- Los resultados de la cocción pueden variar según la marca y el contenido de grasa.

NOTA: Siga las instrucciones que proporciona el fabricante de palomitas de maíz para microondas.

Reheat (Recalentar)

Se han ajustado previamente tiempos y potencias de cocción para recalentar varios tipos de alimentos. Utilice la siguiente tabla como guía.

Producto	Categoría de alimento	Cantidad
P1	<p>Plato principal</p> <p>Coloque el alimento en un plato. Cubra con un envoltorio de plástico y perfore un orificio de ventilación. Deje reposar por 2 a 3 minutos después de recalentar.</p>	10-15oz (283-425 g) (Cocción por sensor)
P2	<p>Salsa</p> <p>Coloque en un recipiente apto para microondas. Cubra con un envoltorio de plástico y perfore un orificio de ventilación. Revuelva y deje reposar 2 o 3 minutos después de recalentar.</p>	1-4 tazas
P3	<p>Sopa</p> <p>Coloque en un recipiente apto para microondas. Cubra con un envoltorio de plástico y perfore un orificio de ventilación. Revuelva y deje reposar 2 o 3 minutos después de recalentar.</p>	1-4 tazas
P4	<p>Beverage (Bebidas)</p> <p>No cubra.</p>	1, 2, 3, 4 tazas
P5	<p>Recalentar pizza</p> <p>Colóquela en un plato apto para microondas cubierto con una toalla de papel.</p>	1-3 rebanadas, 4 oz (113 g) por rebanada (cocción por sensor)

Soften/Melt (Ablandar/Derretir)

La función Soften (Ablandar) puede utilizarse para ablandar los alimentos. Se han ajustado previamente tiempos e intensidades de cocción para varios tipos de alimentos. Utilice la siguiente tabla como guía.

Producto	Categoría de alimento	Cantidad
P1	<p>Ablandar manteca</p> <p>Desenvuélvala y colóquela en un recipiente apto para microondas.</p>	0,5-2,0 barras/ 0,5 barras
P2	<p>Derretir manteca</p> <p>Desenvuélvala y colóquela en un recipiente apto para microondas</p>	0,5-2,0 barras/ 0,5 barras
P3	<p>Helado blando</p> <p>Coloque el recipiente de helado sobre la bandeja giratoria.</p>	16-64 oz/16 oz (454 g-1,8 kg/454 g)
P4	<p>Queso crema blando</p> <p>Desenvuélvalo y colóquelo en un recipiente apto para microondas.</p>	3 oz, 8 oz (85 g, 227 g)
P5	<p>Ablandar azúcar moreno</p> <p>Colóquela en un recipiente apto para microondas.</p>	3 oz, 8 oz (85 g, 227 g)
P6	<p>Ablandar zumo congelado</p> <p>Retire la tapa.</p>	8 oz, 12 oz (227 g, 340 g)
P7	<p>Ablandar salsa de caramelo</p> <p>Retire la tapa de la salsa de caramelo y colóquela en el centro del horno microondas.</p>	8 oz, 16 oz (227 g, 454 g)
P8	<p>Derretir chispas de chocolate</p> <p>Colóquelas en un recipiente apto para microondas en el centro del horno microondas.</p>	4-12 oz/4 oz (113-340 g/113 g)
P9	<p>Derretir queso crema</p> <p>Desenvuélvalo y colóquelo en un recipiente apto para microondas.</p>	8 oz, 16 oz (227 g, 454 g)
P10	<p>Derretir salsa de caramelo</p> <p>Colóquela en un recipiente apto para microondas.</p>	8 oz, 16 oz (227 g, 454 g)

Descongelado Automático

- Para un resultado óptimo, los alimentos deben estar a 0 °F (-18 °C) o más fríos cuando se descongelen.
- Quite el envoltorio de los alimentos y retire las tapas (de los jugos de fruta) antes de descongelar.
- Los paquetes poco profundos se descongelarán con más rapidez que los bloques profundos.
- Separe los trozos de alimentos lo antes posible, durante o al final del ciclo, para lograr un descongelado más uniforme.
- Los alimentos que quedan fuera del congelador más de 20 minutos o los alimentos listos para consumir congelados no se deben descongelar con la función Defrost (Descongelar) sino manualmente.
- Use pedazos pequeños de papel de aluminio para proteger partes de los alimentos como las alas y las puntas de las patas del pollo y las colas de los pescados. Consulte primero la sección “Papel de aluminio y metal”.
- Se han ajustado previamente tiempos y potencias de cocción para descongelar varios tipos de alimentos.

Producto	Categoría de alimento	Peso
P1 Descongelado Manual	-	-
P2	Aves	0,5 lb-6,6 lb/0,1 lb
P3	Carne	0,5 lb-6,6 lb/0,1 lb
P4	Pescado	0,5 lb-6,6 lb/0,1 lb

TABLA DE PREPARACIÓN PARA DESCONGELADO

AVES

Pollo: entero y en trozos	Coloque en un recipiente apto para microondas, con la pechuga mirando hacia arriba. Retire las menudencias del pollo entero.
Gallinas Cornish	
Pavo: pechuga	

CARNE

Carne de res: molida, bistecs, asados, estofados	Las zonas angostas o con grasa de los cortes de forma irregular deben protegerse con papel de aluminio antes de descongelar. No descongele menos de 1/4 lb (113 g) o dos hamburguesas de 4 oz (113 g). Coloque todas las carnes en un recipiente apto para microondas.
Cordero: estofado y chuletas	
Cerdo: chuletas, costillas, asados, salchichas	

PESCADO

Filetes, bistecs, enteros, mariscos	Coloque en un recipiente apto para microondas.
-------------------------------------	--

Steam Clean (Limpieza con Vapor)

Este ciclo de limpieza automático le ayudará a limpiar la cavidad del horno microondas y eliminar los olores desagradables.

Antes de iniciar el ciclo:

1. Ponga 250 ml de agua en un recipiente (consulte nuestras recomendaciones en la sección “Consejos y sugerencias” a continuación).
2. Coloque el recipiente directamente en el centro de la cavidad.

Para iniciar el ciclo:

1. Presione el botón Steam Clean (Limpieza con Vapor), la duración del ciclo de limpieza será visible en la pantalla.
2. Presione el botón Start (Inicio) para iniciar la función.

Cuando el ciclo termine:

1. Presione el botón Stop/Unlock (Parar/Desbloquear).
2. Retire el recipiente.
3. Utilice un paño suave o una toalla de papel con un detergente suave para limpiar las superficies interiores.

Consejos y sugerencias:

Para un mejor resultado de limpieza, se recomienda utilizar un recipiente con un diámetro de 17-20 cm y una altura inferior a 6,5 cm.

Se recomienda utilizar un recipiente de material plástico ligero apto para microondas.

Como el recipiente estará caliente después de que se complete el ciclo de limpieza, se recomienda usar un guante resistente al calor al sacar el recipiente del microondas.

Para un mejor efecto de limpieza y eliminación de olores desagradables, agregue un poco de jugo de limón o vinagre al agua.

Keep Warm (Mantener Caliente)

Esta función le permite mantener sus platos calientes.

1. Toque el botón “Keep Warm” (Mantener Caliente).
2. Presione el botón “+/-” para seleccionar la hora adecuada y, a continuación, presione el botón Start (Inicio) para comenzar.
El tiempo por defecto es de 30 minutos, el tiempo máximo es de 60 minutos.

Alimentos	Recipiente de peso	Temperatura	Recipiente
Atún	4 tazas (880 g)	165 °F (73,8 °C)	Plato apto para microondas
Fideos			
Cacerola			

Grill (Asar)

La función Grill (Asar) utiliza un elemento térmico de varilla que se calienta rápidamente para asar una gran variedad de alimentos.

- Utilice el accesorio Air Fry para colocar los alimentos más cerca del elemento de asar y asarlos más rápidamente.
- La cavidad del horno y la puerta se calentarán mucho durante el uso del elemento de asar. Se recomienda el uso de guantes de cocina.
- Utilice una bandeja apta para el horno para recoger el goteo.
- El accesorio Air Fry y la sartén se calentarán mucho. Utilice manoplas de horno para agarrar la bandeja y retirarla. Para evitar daños, no coloque la bandeja caliente directamente sobre superficies sensibles al calor.
- La bandeja giratoria debe estar colocada cuando utilice el accesorio Air Fry.
- Para obtener mejores resultados, aplique una ligera cantidad de aceite de cocina al accesorio Air Fry.

Ejemplos de tiempos de asado.

Alimentos	Recipiente de peso	Temperatura
Tostar		
Solomillo	4 tazas (880 g)	165 °F (73,8 °C)

Forma de uso:

1. Coloque el accesorio Air Fry firmemente sobre la sartén y ponga ambos sobre la bandeja giratoria. A continuación, coloque los alimentos en la parrilla y cierre la puerta.
2. Toque Grill (Asar). Aparecerá “00:30” en la pantalla. Introduzca el tiempo de asado en minutos y segundos.
3. Toque Start (Inicio). El tiempo de asado se mostrará en cuenta regresiva en la pantalla. Cuando termine el ciclo, aparecerá “End” (Fin) en la pantalla y sonarán los tonos de fin de ciclo.
4. Toque Stop/Unlock (Parar/Desbloquear) o abra la puerta para despejar la pantalla.

Hornear/Rostizar por convección

El sistema de convección hace circular aire caliente por la cavidad del horno microondas mediante un ventilador. El aire en movimiento constante rodea los alimentos para calentar la parte exterior rápidamente.

- La cavidad del horno microondas y la puerta se calentarán durante el ciclo Rostizar por convección. Se recomienda el uso de guantes de cocina.
- Utilice la parrilla de convección (corta) suministrada.
- No cubra la bandeja giratoria o la parrilla de convección con papel de aluminio, ya que este interfiere con la circulación del aire caliente.
- No use recipientes de plástico ligero, envoltorio plástico o productos de papel.
Todas las baterías de cocina aptas para horno o utensilios metálicos pueden utilizarse con la función de horneado por convección. (Los moldes para pizza redondos son utensilios de cocina excelentes para muchos artículos que son únicamente de cocción por convección.) Los utensilios de metal no pueden utilizarse con la función de rostizado por convección.
- No se necesita ninguna técnica especial para adaptar las recetas para hornos estándar a cocción por convección. Sin embargo, algunas temperaturas se tendrán que disminuir y tal vez será necesario acortar algunos tiempos de cocción. Si utiliza la olla de convección, puede utilizar la función de horneado/rostizado para obtener una cocción por convección. Se han ajustado previamente tiempos e intensidades de cocción para varios tipos de alimentos. Utilice la siguiente tabla como guía.

Producto	Categoría de alimento	Cantidad
P1	Horneado manual (con precalentamiento) Utilice la bandeja para hornear con esta función	
P2	Pizza congelada de masa fina Retire la pizza congelada del envase, colóquela en el centro de la bandeja para horno.	12 pul
P3	Pizza congelada de masa gruesa Retire la pizza congelada del envase, colóquela en el centro de la bandeja para horno.	12 pul
P4	Galletas azucaradas Ponga la mezcla de galletas en el centro de la bandeja para hornear (6 piezas aproximadamente 1 hornada).	1 lote
P5	Panecillos Ponga la mezcla para panecillos en moldes, póngalos en el centro de la bandeja para horno (7 piezas aproximadamente 1 hornada)	1 lote
P6	Tarta de fruta Retire la tarta fresca del envase, colóquela en el centro de la bandeja para horno.	1 lote
P7	Tarta de capas Ponga la mezcla para tartas con el recipiente en el centro de la bandeja para horno.	1 lote
P8	Rostizado manual (con precalentamiento) Utilice su canasta Air Fry (sin voltear las patas) y teniendo debajo la bandeja para horno.	
P9	Pollo entero asado Utilice su canasta Air Fry (sin voltear las patas) y teniendo debajo la bandeja para horno. Ponga sal y pimienta dentro del pollo, añada el manojo de tomillo, las mitades de limón y el ajo. Unte la superficie del pollo con la mantequilla, sal y pimienta. Coloque sus verduras favoritas, como cebollas, zanahorias, etc., en la canasta Air Fry. Añada sal, pimienta, tomillo y aceite de oliva, y coloque el pollo encima.	2-5 lb/ 0.5 lb

Producto	Categoría de alimento	Cantidad
P10	Lomo de cerdo asado Frote sal, pimienta, ajo en polvo, cebolla en polvo, romero, pimentón y tomillo por todo el lomo de cerdo. Ponga el lomo de cerdo en la canasta Air Fry (sin voltear las patas) y teniendo la bandeja para horno debajo; añada su salsa favorita, como miel, mostaza, ajo, salsa de soja, y aceite de oliva, añada las verduras, calabaza, cebolla, pimienta todo alrededor.	2-4 lb/ 0.5 lb
P11	Solomillo de cerdo asado Pase un solomillo de cerdo por un poco de sal y especias, o para crear una pasta de ajo y jengibre para frotarla por todas partes. Ponga el solomillo de cerdo en la canasta Air Fry (sin voltear las patas) y con la bandeja para horno debajo.	1-2 lb/ 0.5 lb
P12	Asado de carne de res Utilice el condimento que más le guste y úntelo por todo el rollo de carne de res. Corte la cebolla y la zanahoria y póngalas en la canasta Air Fry con una bandeja para horno debajo. Ponga la carne encima de las verduras y a cocinar.	2-4 lb/ 0.5 lb

Para el horneado manual, utilizar Preheat (Precalentar):

- Después de seleccionar la temperatura, el ‘Precalentamiento’ de la pantalla empezará a parpadear, presione Start (Inicio) para confirmar, la máquina empezará a precalentarse, una vez alcanzada la temperatura deseada, sonará el tono de fin de precalentamiento.
- Presione “+/-” para ajustar directamente el tiempo de cocción.
- Presione Start (Inicio), el tiempo de horneado por convección descenderá en la pantalla. Cuando termine el ciclo, aparecerá ‘End’ (Fin) en la pantalla y sonarán los tonos de fin de ciclo.

Para el horneado manual, utilizar Preheat (Precalentar):

- Después de seleccionar la temperatura, el “Pre-heat” (Precalentamiento) de la pantalla empezará a parpadear, con solo presionar “+/-” se omitirá y pasará a ajustar el tiempo de cocción directamente.
- Presione Start (Inicio), el tiempo de horneado por convección descenderá en la pantalla. Cuando termine el ciclo, aparecerá ‘End’ (Fin) en la pantalla y sonarán los tonos de fin de ciclo.

Air fryer (Freidora de aire)

Cuando se utiliza el accesorio Air Fry, la función permite cocinar friendo con aire. Se han ajustado previamente tiempos e intensidades de cocción para varios tipos de alimentos. Utilice la siguiente tabla como guía.

Producto	Categoría de alimento	Peso
P1	Freír con aire manualmente	
P2	Papas asadas	1-4 porciones/1 porción (5 oz)
P3	Brócoli	1-4 porciones/1 porción (3.3 oz)
P4	Espárragos	1-4 porciones/1 porción (4 oz)
P5	Coles de Bruselas	1-4 porciones/1 porción (4 oz)
P6	Croquetas de pollo	6-18 oz/4 oz
P7	Alitas de pollo	8-20 oz/4 oz
P8	Papas a la francesa	1-4 porciones/1 porción (2.5 oz)

CUIDADO DEL HORNO MICROONDAS

Limpeza general

IMPORTANTE: Antes de la limpieza, asegúrese de que todos los controles estén apagados y que el horno microondas esté frío. Siempre siga las instrucciones de las etiquetas de los productos de limpieza.

Se sugiere usar agua, jabón y un paño o una esponja suave, a menos que se indique otra cosa.

CAVIDAD DEL HORNO MICROONDAS

Para evitar daños en la cavidad del horno microondas, no use estropajos precargados con jabón, limpiadores abrasivos, estropajos de lana de acero, paños de lavar ásperos o algunas toallas de papel reciclado.

Para evitar daños en los modelos de acero inoxidable, frote en la dirección de la veta.

Se debe mantener limpia la zona donde la puerta del horno microondas hace contacto con el marco cuando está cerrada.

Suciedad promedio

- Jabones y detergentes suaves, no abrasivos: Enjuague con agua limpia y seque con un paño suave que no deje pelusa.

Suciedad profunda

- Jabones y detergentes suaves, no abrasivos: Caliente 1 taza (250 ml) de agua durante 2 a 5 minutos en el horno microondas. El vapor ablandará la suciedad. Enjuague con agua limpia y seque con un paño suave que no deje pelusa.

Olores

- Jugo de limón o vinagre: Caliente 1 taza (250 ml) de agua con 1 cucharada (15 ml) de jugo de limón o vinagre durante 2 a 5 minutos en el horno microondas.

Cubierta para la entrada microondas

Para evitar que se produzcan arcos y el horno microondas se dañe, la cubierta de la entrada microondas (vea "Piezas y funciones") debe mantenerse limpia.

- Limpie con un paño húmedo.

PUERTA Y EXTERIOR DEL HORNO MICROONDAS

Se debe mantener limpia la zona donde la puerta del horno microondas hace contacto con el marco cuando está cerrada.

- Jabones y detergentes suaves, no abrasivos: Enjuague con agua limpia y seque con un paño suave que no deje pelusa.
- Limpiavidrios y toallas de papel o un estropajo plástico no abrasivo: Aplique el limpiador de vidrios a la toalla, no lo haga directamente sobre la superficie.

Acero inoxidable (en algunos modelos)

Para evitar daños a la puerta y el exterior del horno microondas, no use estropajos que vienen precargados con jabón, productos de limpieza abrasivos, estropajos de metal, paños ásperos o ciertas toallas de papel. Frote en la dirección de la veta.

- Limpiador de acero inoxidable (no incluido): Vea la sección "Asistencia o servicio técnico" para hacer pedidos.
- Limpiador de uso general: Enjuague con agua limpia y seque con un paño suave que no deje pelusa.
- Vinagre para manchas de cal de agua.

PANEL DE CONTROL

- Esponja o paño suave y agua. Humedezca la esponja con agua y pásela por el panel. Seque con un paño suave.
- Para evitar daños en el panel de control, no use sustancias químicas ni limpiadores abrasivos.

BANDEJA GIRATORIA

Vuelva a colocar la bandeja giratoria de inmediato después de la limpieza. No ponga a funcionar el horno microondas sin la bandeja giratoria en su lugar.

- Producto de limpieza suave y estropajo
- Lavavajillas

ACCESORIO PARA FREÍR SIN ACEITE

Se recomienda la limpieza en lavavajillas. Para evitar daños en las parrillas de convección y de asar, no utilice limpiadores abrasivos ni estropajos.

- Jabón suave, agua y paño de lavar.

SOLUCIÓN DE PROBLEMAS

Pruebe primero las soluciones sugeridas aquí. Si necesita asistencia adicional o más recomendaciones que puedan ayudarle a evitar una llamada de servicio técnico, consulte la garantía o visite www.kitchenaid.com/owners, o en Canadá www.kitchenaid.ca/owners.

Si tiene preguntas o dudas, contáctenos por correo a la dirección que aparece a continuación:

En los EE.UU.:

KitchenAid Brand Home Appliances
Customer eXperience Centre
553 Benson Road
Benton Harbor, MI 49022-2692

En Canadá:

KitchenAid Brand Home Appliances
Customer eXperience Centre
220-6750 Century Ave.
Mississauga, Ontario L5N 0B7

Incluya en su correspondencia un número de teléfono en el que se le pueda localizar durante el día.

Si experimenta lo siguiente	Soluciones recomendadas
Nada funciona	Revise lo siguiente: <ul style="list-style-type: none">■ Fusible o disyuntor de la casa: Si hay un fusible de la casa fundido o se disparó el disyuntor, reemplace el fusible o restablezca el disyuntor. Si el problema continúa, llame a un electricista.
El horno microondas no funciona	Revise lo siguiente: <ul style="list-style-type: none">■ Magnetrón: Intente calentar una taza (250 ml) de agua fría durante 2 minutos al 100 % de potencia de cocción. Si el agua no se calienta, pruebe los pasos que se enumeran a continuación. Si el horno microondas aún no funciona, llame para solicitar servicio técnico.■ Puerta: Cierre la puerta con firmeza. En algunos modelos, si hay un separador de empaque sujeto al interior de la puerta, retírelo y, después, cierre la puerta con firmeza. Si aparece en la pantalla un mensaje acerca de la puerta, la puerta ha estado cerrada durante 5 minutos o más sin que se haya puesto a funcionar el horno. Esto sucede para evitar que el horno microondas se ponga en marcha accidentalmente. Abra y cierre la puerta; luego, inicie el ciclo.■ Stop/Unlock (Parar/Desbloquear): Asegúrese de que Stop/Unlock (Parar/Desbloquear) esté apagado. Asegúrese de que el Demo mode (Modo de Demostración) (en algunos modelos) esté desactivado.
El horno microondas emite zumbidos	<ul style="list-style-type: none">■ Esto es normal y ocurre cuando se activa el suministro eléctrico del magnetrón.
La puerta del horno microondas parece ondulada	<ul style="list-style-type: none">■ Esto es normal y no afecta el funcionamiento.
La bandeja giratoria no funciona	Revise lo siguiente: <ul style="list-style-type: none">■ Bandeja giratoria: Cerciórese de que la bandeja giratoria tenga el lado correcto hacia arriba y que esté debidamente asentada en su soporte. Consulte la sección “Bandeja giratoria”.■ Soporte de la bandeja giratoria: Quite la bandeja giratoria. Quite y limpie el eje, el soporte y los rodillos de la bandeja giratoria. Vuelva a colocar el eje, el soporte y la bandeja giratoria. Coloque 1 taza (250 ml) de agua en la bandeja giratoria; después, vuelva a poner a funcionar el horno microondas. Si todavía no funciona, solicite servicio. Para ver la información sobre la garantía, visite www.kitchenaid.com/owners, o en Canadá www.kitchenaid.ca/owner. No ponga a funcionar el horno microondas si la bandeja giratoria y su soporte no están funcionando bien.
La bandeja giratoria gira en ambas direcciones de manera alternada	<ul style="list-style-type: none">■ Esto es normal y depende de la rotación del motor al comienzo del ciclo.
La pantalla muestra mensajes	<ul style="list-style-type: none">■ Si aparece “0:00” de manera intermitente, significa que ha habido un corte de corriente. Restablezca el reloj.
La pantalla muestra la cuenta regresiva pero el horno microondas no está funcionando	Revise lo siguiente: <ul style="list-style-type: none">■ Timer (Temporizador): Consulte la sección “Temporizador”.
Las señales audibles no suenan	Revise lo siguiente: <ul style="list-style-type: none">■ Tonos: Consulte la sección “Tonos”.
Los tiempos de cocción parecen demasiado prolongados	Revise lo siguiente: <ul style="list-style-type: none">■ Potencia de cocción: Consulte la sección “Potencia de cocción del microondas”.■ Cantidad de alimentos: Las cantidades más grandes de alimentos requieren de tiempos de cocción más largos.■ Tensión: Solicite que un electricista calificado compruebe el sistema eléctrico de su casa.
Olor procedente del horno microondas durante la cocción y/o asado por convección	<ul style="list-style-type: none">■ Esto es normal durante los primeros ciclos de convección y/o asado. El olor desaparecerá con el uso repetido.

Si experimenta lo siguiente

Soluciones recomendadas

Interferencia de radio, TV o teléfono inalámbrico

Revise lo siguiente:

- **Proximidad:** Aleje su receptor del horno microondas o ajuste la antena de radio o televisión. Si el horno microondas está enchufado en el mismo tomacorriente, pruebe otro tomacorriente para el dispositivo electrónico.
- **Suciedad:** Asegúrese de la puerta del horno microondas y las superficies de sellado estén limpias.
- **Frecuencia:** Algunos teléfonos inalámbricos de 2,4 GHz y algunas redes inalámbricas del hogar pueden sufrir estática o ruidos mientras el horno microondas está encendido. Use un teléfono con cable o un teléfono inalámbrico de frecuencia diferente, o evite usar esos dispositivos mientras el horno está en funcionamiento.

ASISTENCIA O SERVICIO TÉCNICO

Si necesita servicio:

Para ver la información sobre la garantía, visite www.kitchenaid.com/owners, o en Canadá www.kitchenaid.ca/owners.

Si necesita piezas de repuesto:

Si necesita pedir piezas de repuesto, recomendamos que use únicamente piezas especificadas de fábrica. Las piezas especificadas de fábrica encajarán correctamente y funcionarán bien ya que están confeccionadas con la misma precisión empleada en la fabricación de todos los electrodomésticos KitchenAid nuevos.

Para encontrar piezas especificadas de fábrica en su zona, llámenos o llame al centro de servicio técnico designado por KitchenAid más cercano.

En EE.UU.

Llame al KitchenAid Customer eXperience Center sin costo alguno al: **1-800-422-1230**, o visite nuestro sitio web en www.kitchenaid.com/owners.

Nuestros consultores ofrecen ayuda con:

- Programación de servicio. Los técnicos de servicio designados de KitchenAid están capacitados para cumplir con la garantía del producto y proveer servicio una vez que la garantía caduque en cualquier lugar de los Estados Unidos.
- Características y especificaciones de nuestra línea completa de electrodomésticos.
- Referencias a distribuidores locales de electrodomésticos KitchenAid.
- Información sobre la instalación.
- Procedimientos de uso y mantenimiento.
- Venta de accesorios y repuestos.
- Asistencia al cliente especializada (idioma español, deficiencias de audición, visión limitada, etc.).

Para obtener más asistencia:

Si necesita asistencia adicional, puede escribir a KitchenAid con sus preguntas o dudas a:

KitchenAid Brand Home Appliances
Customer eXperience Center
553 Benson Road
Benton Harbor, MI 49022-2692

Incluya en su correspondencia un número de teléfono en el que se le pueda localizar durante el día.

En Canadá

Llame al KitchenAid Customer eXperience Center sin costo alguno al: **1-800-807-6777** o visite nuestro sitio web en www.kitchenaid.ca/owners.

Nuestros consultores ofrecen ayuda con:

- Programación de servicio. Los técnicos de servicio designados para electrodomésticos KitchenAid están capacitados para cumplir con la garantía del producto y proveer servicio una vez que la garantía caduque en cualquier lugar de Canadá.
- Características y especificaciones de nuestra línea completa de electrodomésticos.
- Referencias a distribuidores locales de electrodomésticos KitchenAid.
- Procedimientos de uso y mantenimiento.
- Venta de accesorios y repuestos.

Para obtener más asistencia:

Si necesita asistencia adicional, puede escribir a KitchenAid con sus preguntas o dudas a:

KitchenAid Brand Home Appliances
Customer eXperience Centre
200-6750 Century Ave.
Mississauga, Ontario L5N 0B7

Incluya en su correspondencia un número de teléfono en el que se le pueda localizar durante el día.

Piezas de repuesto

Bandeja giratoria de vidrio Pieza número W11664466	Bandeja para hornear Pieza número W11664469
Soporte y rodillos de la bandeja giratoria Pieza número W11664467	Freidora de aire Pieza número W11664470
Eje de bandeja giratoria Pieza número W11664468	

Juegos para empotrar

Este horno microondas para mostrador se puede empotrar usando uno de los siguientes juegos de adorno*. Estos juegos se pueden adquirir con el distribuidor o se pueden pedir por el número de modelo del juego. Consulte la sección "Asistencia o servicio técnico" para obtener el número gratuito.

Tamaño del juego	Números de modelo del juego/Color
27" (68,6 cm)	MTK1527PZ
30" (76,2 cm)	MTK1530PZ

*Los juegos de adorno para empotrar pueden instalarse sobre cualquier horno (eléctrico o a gas) empotrado en la pared de hasta 30" (76,2 cm).

NOTES

NOTES

NOTES

NOTES

NOTES

NOTES



W11695423A

®/™ ©2024 KitchenAid. All rights reserved. The design of the stand mixer is a trademark in the U.S. and elsewhere.
Used under license in Canada.

Tous droits réservés. La forme du batteur sur socle est une marque de commerce aux É.-U. et dans d'autres pays.
Utilisé sous licence au Canada.

Todos los derechos reservados. El diseño de la batidora es una marca comercial en EE. UU. y en otros países.
Usado bajo licencia en Canadá.