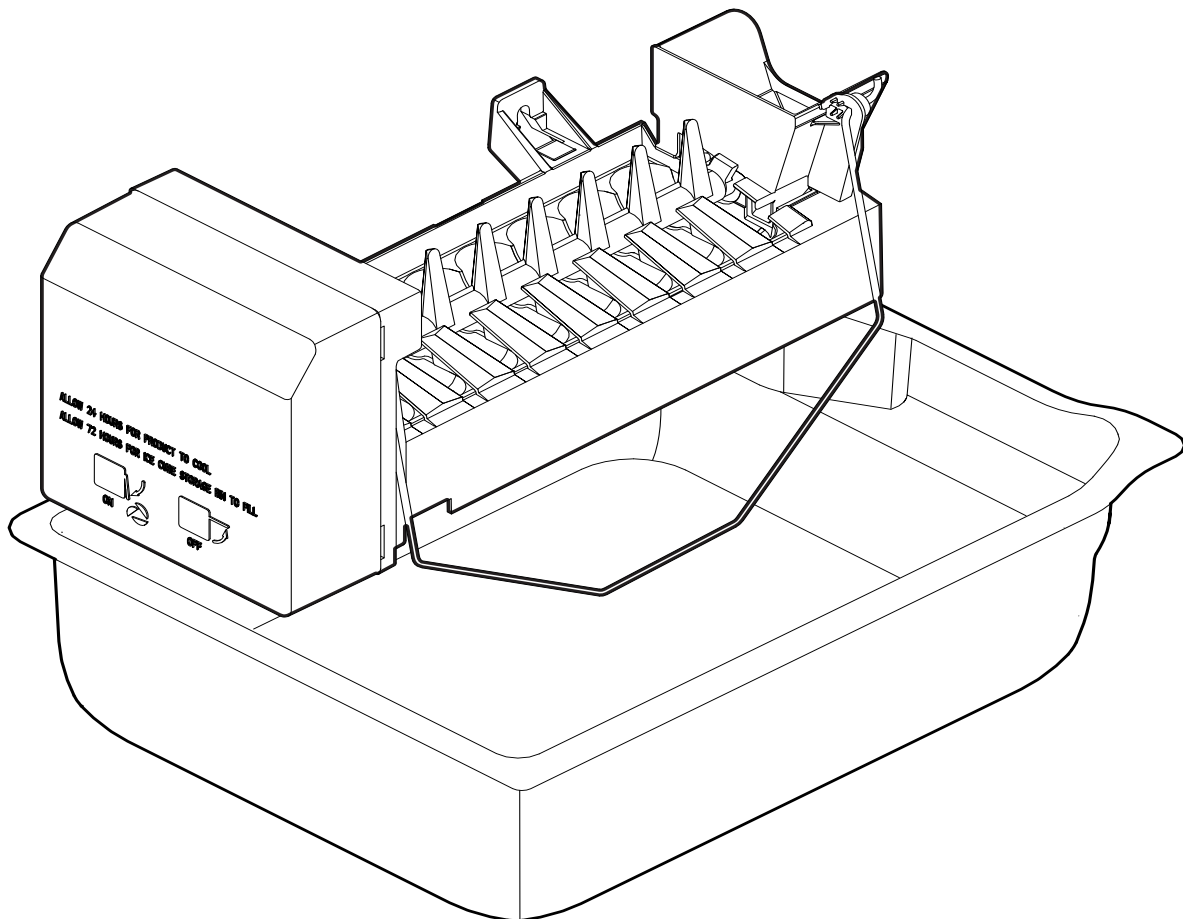


Whirlpool®

Installation

G U I D E



MODULAR ICE MAKER KIT
MACHINE À GLAÇONS MODULAIRE
JUEGO DE LA FABRICA DE HIELO MODULAR

Table of Contents

	Page		Page
Requesting Assistance or Service.....	2	Mounting the Water Valve.....	6
Important Information.....	3	Mounting the Ice Maker.....	8
Before you Begin.....	4	Connect the Water Supply	10
Tools.....	4	Connecting the power/leveling the unit.....	11
Installation notes.....	4	Starting the Ice Maker	12
Components.....	4	Troubleshooting	13
Installing the Ice Maker	5	Operational notes.....	13
Making preparations.....	5	Troubleshooting chart.....	13

Table des matières

	Page		Page
Demande d'assistance ou de dépannage	2	Montage de l'électrovanne d'admission d'eau ..	17
Informations importantes	14	Montage de la machine à glaçons.....	19
Avant de commencer	15	Raccordement à la conduite d'eau	21
Outils	15	Rétablissement de l'alimentation électrique/ réglage de l'aplomb de l'appareil.....	22
Composants	15	Mise en marche de la machine à glaçons	23
Remarques concernant l'installation.....	15	Dépannage	24
Installation de la machine à glaçons	16	Notes sur le fonctionnement de l'appareil	24
Opérations préparatoires.....	16	Tableau de diagnostic/dépannage.....	24

Tabla de contenidos

	Página		Página
Para solicitar ayuda o servicio técnico	2	Para montar la válvula de agua.....	28
Información importante	25	Montaje de la fábrica de hielo.....	30
Antes de comenzar	26	Conecte el suministro de agua	32
Herramientas.....	26	Conexión del suministro eléctrico/nivelación de la unidad.....	33
Componentes	26	Puesta en marcha de la fábrica de hielo	34
Notas sobre la instalación	26	Solución de problemas	35
Instalación de la fábrica de hielo	27	Notas sobre el funcionamiento.....	35
Pasos de preparación.....	27	Cuadro de solución de problemas.....	35

Requesting Assistance or Service

If you need assistance contact your dealer, or call the Whirlpool Experience centre toll-free, **1-800-253-1301**, 24 hours a day.

Demande d'assistance ou de dépannage

Pour tout besoin d'assistance, contacter le revendeur ou téléphoner sans frais au service à la clientèle de Whirlpool au **1 800 253-1301** (accessible 24 heures sur 24).

Para solicitar ayuda o servicio técnico

Si necesita ayuda, póngase en contacto con el distribuidor o llame sin cargo al Centro de Experiencia de Whirlpool, al **1-800-253-1301**, las 24 horas del día.

Important Information

The following information is used throughout this installation Guide. Read it carefully so you are familiar with it.

Your safety and the safety of others are very important.

We have provided many important safety messages in this manual and on your appliance. Always read and obey all safety messages.



This is the safety alert symbol.

This symbol alerts you to potential hazards that can kill or hurt you and others.

All safety messages will follow the safety alert symbol and either the word "DANGER" or "WARNING."

These words mean:

⚠ DANGER

You can be killed or seriously injured if you don't immediately follow instructions.

⚠ WARNING

You can be killed or seriously injured if you don't follow instructions.

All safety messages will tell you what the potential hazard is, tell you how to reduce the chance of injury, and tell you what can happen if the instructions are not followed.

- This Installation Guide gives you complete instructions on how to install the Ice Maker Kit in your refrigerator-freezer and connect a water line to it. Please read the guide thoroughly and follow the instructions exactly as described. Also, make sure that you observe all of the "safety" instructions.
- **IMPORTANT:** A qualified service technician must install the water line and ice maker.
- Before you start to install your Ice Maker Kit, you will have to purchase a copper tubing kit that contains a "Regular Valve and Clamp Assembly" (for refrigerators with an automatic ice maker, or self-filling trays). The kit contains all of the hardware necessary to connect your ice maker to the water supply. You can purchase one at most hardware or plumbing supply stores.

NOTE: Do not use piercing-type, or 3/16" shut-off valves. They reduce the flow of water to the ice maker, and are easily clogged. Do not use polyethylene tubing to connect the ice maker to the water line. Use only 1/4" (O.D.) copper tubing.

**CUSTOMER INSTALLATION IS NOT WARRANTED
BY THE REFRIGERATOR OR ICE MAKER
MANUFACTURER.**

Before You Begin

Tools

Gather required tools and parts before starting installation. Read and follow the instructions provided with any tools listed here.

1. Regular screwdriver
2. Phillips screwdriver
3. 7/16" and 1/2" open-end wrenches (or an adjustable wrench)
4. Pliers
5. 1/4" nut driver
6. Level
7. Ruler
8. Electric screwdriver

Components

Remove the contents from the shipping carton and set them on a table where they can be easily identified and located.

Do not discard any of the packing material until all required parts are identified.

QTY	DESCRIPTION
1	Ice Maker Assembly
2	Jumper Harness
1	Ice Pan
1	Fill Tube Assembly
1	Water Line Cover
5	5/8" screws
1	Water Line Clamp
1	Compression Nut & Sleeve
2	Water Valve
1	Adhesive Clip
1	Splash Guard
1	Tube Guide
1	Air Diverter
1	Installation Instructions
1	Shut-Off Arm Lift

Installation notes

For each set of steps shown, refer to the diagram immediately beside or below the text for clarification. Some illustrations may contain labels A, B, or C, which are referenced in associated steps. Some illustrations also contain "DETAILS." DETAILS are contained in bubbles alongside the larger illustration.


Install the parts as instructed in each step and corresponding illustration.

Installing the Ice Maker

Making preparations

1. Pull the refrigerator away from the wall so that you can easily access the rear panel.

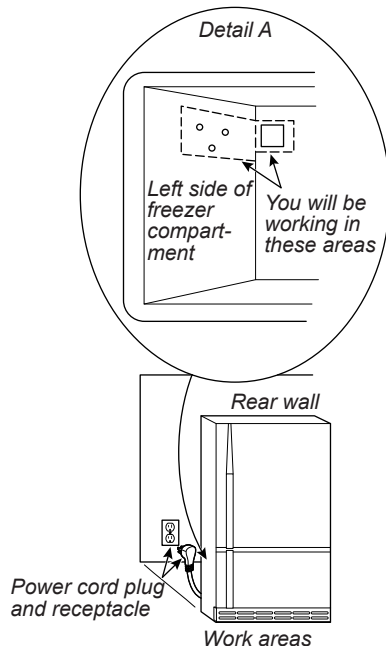
⚠ WARNING



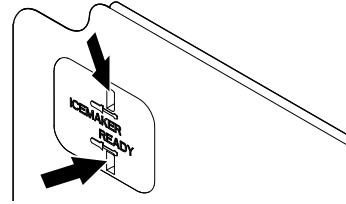
Electrical Shock Hazard
Disconnect power before installing ice maker.
Failure to do so can result in death or electrical shock.

2. Unplug Refrigerator or disconnect power.
3. Open the freezer door and remove all of the food items from inside the freezer compartment.
4. Remove all baskets, shelves, ice cube trays, and the ice cube tray holder (if necessary, refer to your User Guide for the procedure). Set these items aside.

NOTE: The work areas are shown below.

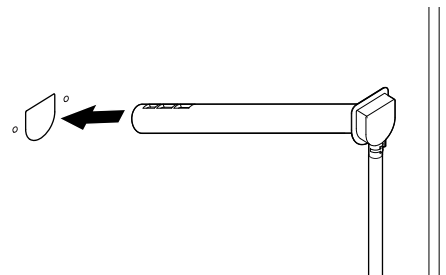


5. Remove the water connection cover from the back freezer wall by inserting a flat blade screwdriver into each of the slots on the face of the cover and prying off.



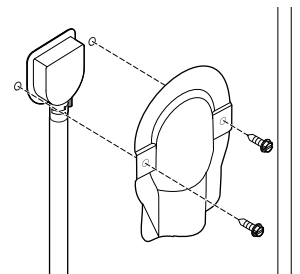
Water connection cover

6. If present, locate tube inlet sticker on the back of the unit and remove. Cut through any tape under the sticker.
7. Insert the fill tube through the hole in the back of the unit with the spout facing down.



Fill tube installation

8. Install water line cover over the fill tube using two of the 5/8" screws provided in the kit. An electric screwdriver may be used.

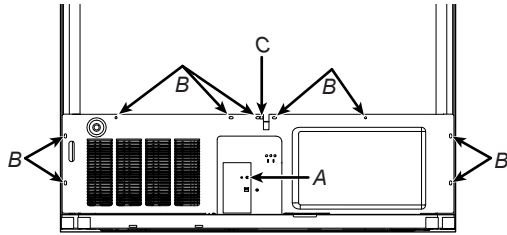


Water line cover

Mounting the Water Valve

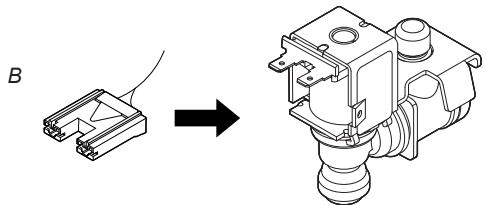
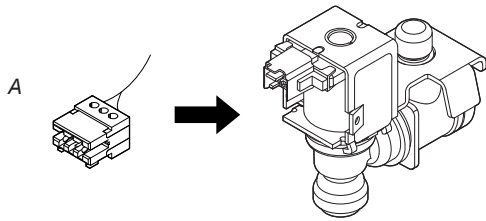
NOTE: When using this kit to replace an existing ice maker or valve, the new valve and the new ice maker from this kit must both be used.

1. Remove valve cover screw (A) using 1/4" nut driver. Retain screw. Detach harness from the inner side of cover by removing the clip. Discard cover.



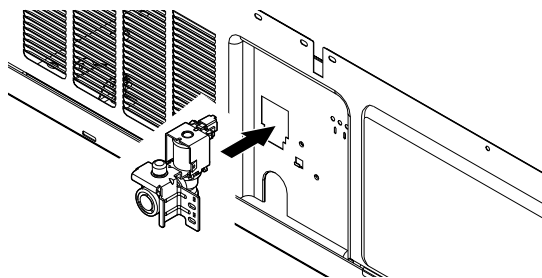
Valve cover and rear panel screws

2. Remove 6-9 screws (B) from rear panel. Remove strain relief from slot (C). Remove panel.
3. Locate the 2-pin water valve connector inside the machine compartment. Determine which of the two included water valves has the appropriate connection to mate with this connector. Discard the other water valve.



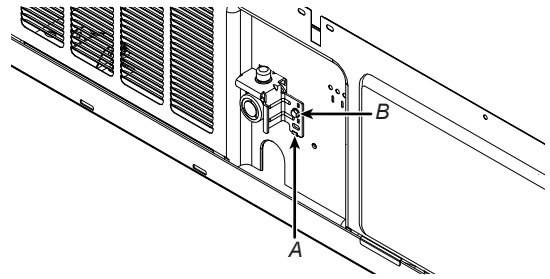
Matching harness connector to valve

4. Insert top of valve chosen in step (3) through slot in rear panel, then rotate so the bracket is flat against the panel.



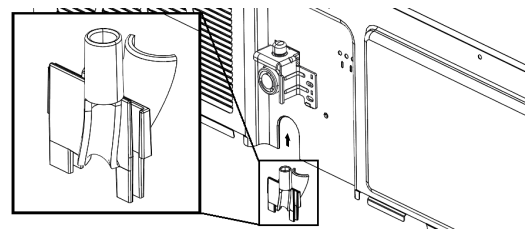
Inserting the valve

5. Assure water valve bracket is placed into retainer tab (A) and secure to panel with screw (B) removed in step 1.



Securing the valve

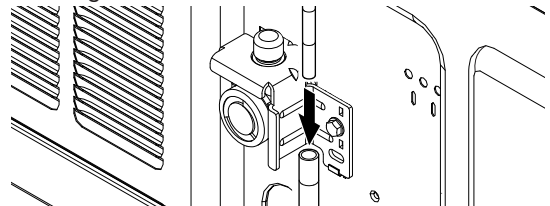
6. Slide water line guide into rear panel slot below valve, as shown in illustration.



Water line guide installation

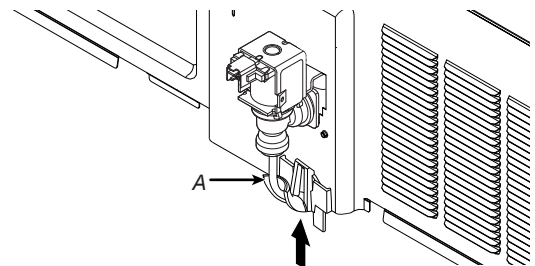
7. Insert water line from fill tube into water line guide opening. Loop tube under the bottom of rear panel and insert into water valve nozzle.

NOTE: Make sure tube is fully inserted into valve, past the first marking on the tube.



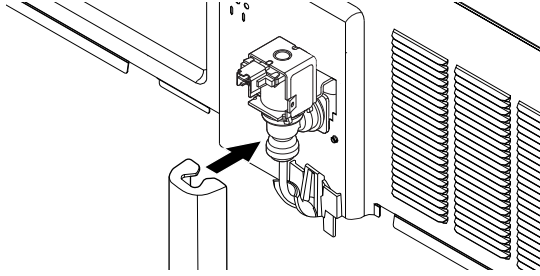
Inserting water line into guide

8. Pull excess water line tubing taut against the U-channel (A) in the water line guide.



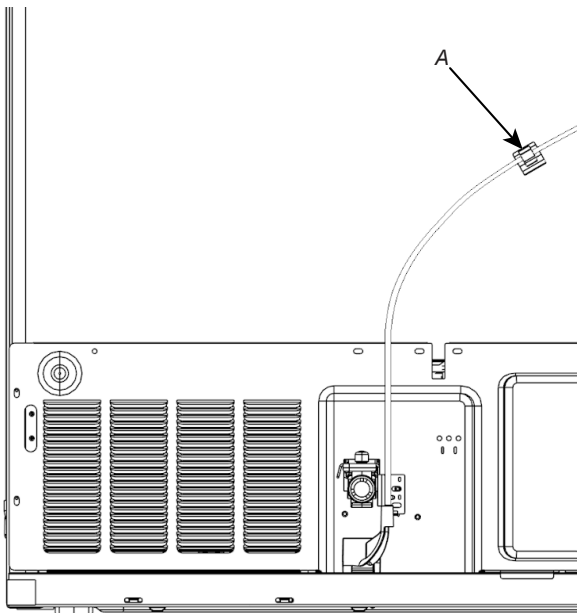
Inside view of rear panel

9. Snap plastic shield over water valve nozzle.



Water valve shield installation

10. Plug connector from the refrigerator machine compartment into connector/terminals on the water valve.
11. Insert strain relief clip on power cord back into slot in rear panel and reinstall panel using 6-9 screws removed in step 2 (refer to illustration in step 2 for screw locations B and strain relief location C).
12. Secure excess water line tubing to cabinet with small plastic adhesive clip included in ice maker kit. Position clip (A) approximately halfway between fill tube and valve.

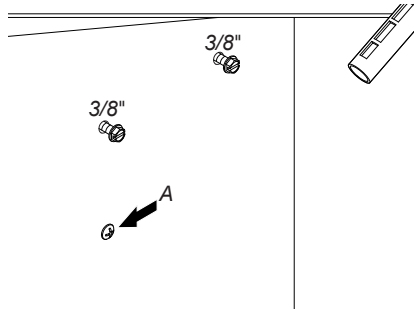


A Clip

Mounting the Ice Maker

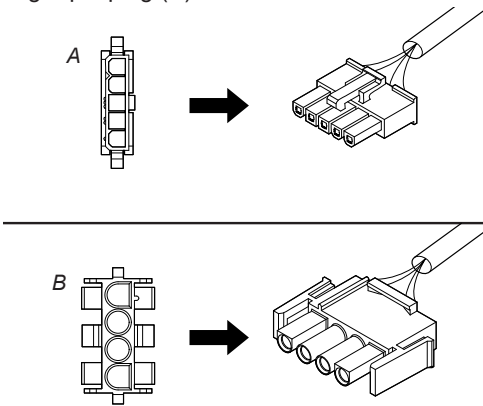
NOTE: When using this kit to replace an existing ice maker or valve, the new valve and the new ice maker from this kit must both be used.

1. Screw two 5/8" ice maker mounting screws into upper holes present in left wall of freezer section. Leave head out approximately 3/8" for the slot in the icemaker hanger to slip over the screws. Remove phillips screw (A) if present and discard.



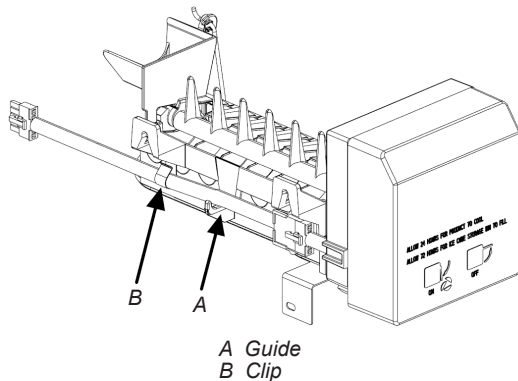
Screw locations

2. Determine which of the two provided jumper harnesses mates with the connector housing in the back of your freezer. A 5-pin housing requires the jumper with the matching 5-pin plug (A). A 4-pin housing requires the jumper with the matching 4-pin plug (B).



Determining the proper jumper

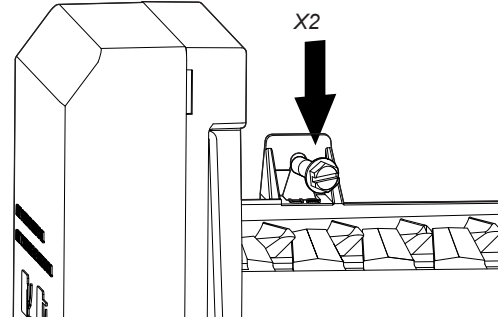
3. Connect the jumper chosen in step 2 to the harness on the ice maker. Confirm the locking fingers snap into place. Route jumper over the guide (A) and through the wire clip (B) on the side of the ice maker.



A Guide
B Clip

4. Connect the other end of the jumper to the housing in the back of your freezer, making sure the locking fingers snap in place.
5. Slide ice maker hangers over screws.

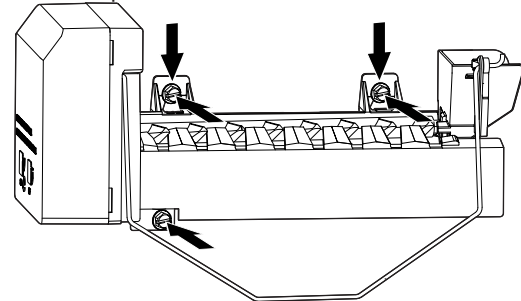
IMPORTANT: Make sure the top of each screw touches the bottom of the hanger on the ice maker (see illustration). This ensures the ice maker is oriented correctly.



Mounting ice maker on top screws

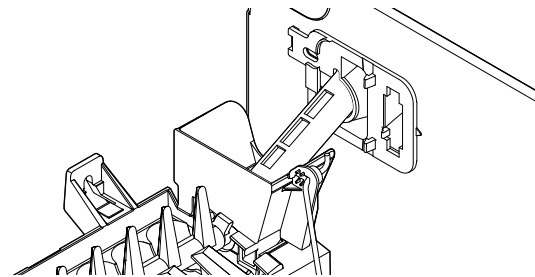
6. Tighten down top mounting screws, making sure the hangers remain flush against the screws as the screws are tightened. Insert remaining mounting screw into bottom of ice maker and tighten.

Note: The top front screw is slightly lower than the rear screw, so the ice maker should tilt slightly so that water flows from the fill cup.



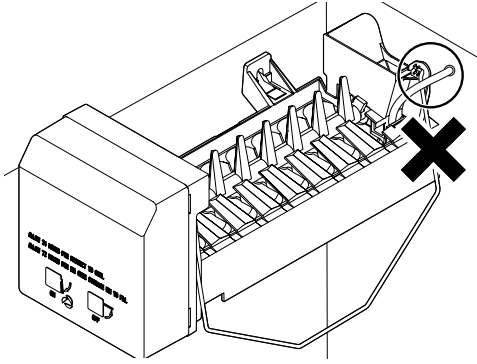
Keep hangers against screws while tightening

7. Confirm water fill tube is aligned with the fill cup on the ice maker. If needed, loosen mounting screws to correct alignment of ice maker with fill tube, then repeat steps 5-6.



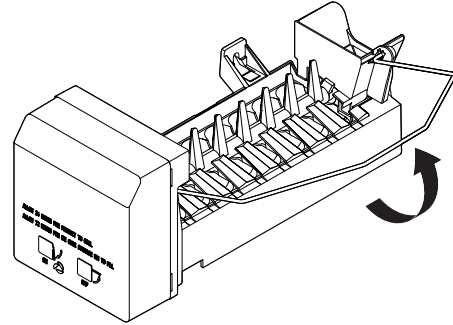
Align fill tube with cup

8. Route ice maker wire harness and jumper away from moving parts and fill tube. Confirm the bail arm can move freely between the lowered and horizontal positions.



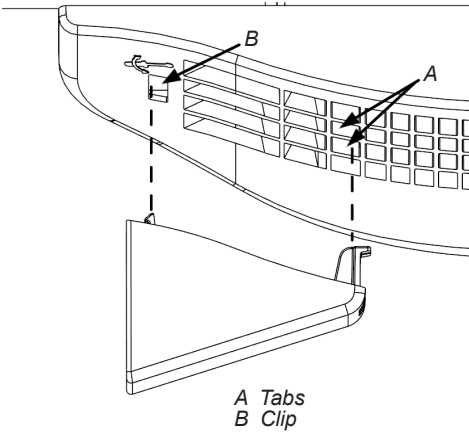
Incorrect harness position (restricting bail arm)

11. If your ice maker does not have a rocker switch, raise wire shut-off arm to the OFF (up) position until water connection is complete.

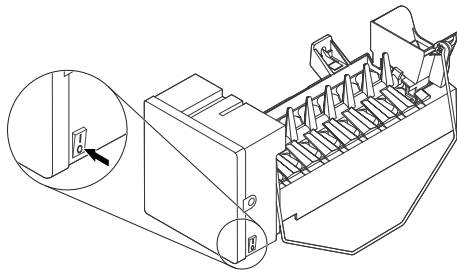


Turning the ice maker off (shut-off arm)

9. Install air diverter by inserting 2 tabs into openings (A) in freezer air grille then snapping the clip into slot (B).



10. If your ice maker has an ON / OFF rocker switch, flip the switch to the OFF (O) position until water connection is complete.



Turning the ice maker off (rocker switch)

Connect the Water Supply

Read all directions before you begin.

IMPORTANT:

- Connect to potable water supply only.

Do not use with water that is microbiologically unsafe or of unknown quality without adequate disinfection before or after the system. Systems certified for cyst reduction may be used on disinfected waters that may contain filterable cysts.

- Plumbing must be installed in accordance with the International Plumbing Code and any local codes and ordinances.
- Copper and PEX tubing connections from the household water line to the refrigerator are acceptable and will help avoid off-taste or odor in your ice or water. Check for leaks.
- If PEX tubing is used instead of copper, we recommend the following part numbers: W10505928RP (7 ft [2.14 m] jacketed PEX), 8212547RP (5 ft [1.52 m] PEX), or W10267701RP (25 ft [7.62 m] PEX).
- Install tubing only in areas where temperatures will remain above freezing.

Tools Needed:

Gather the required tools and parts before starting installation.

- Flat-blade screwdriver
- 7/16" and 1/2" open-end wrenches or 2 adjustable wrenches
- 1/4" nut driver

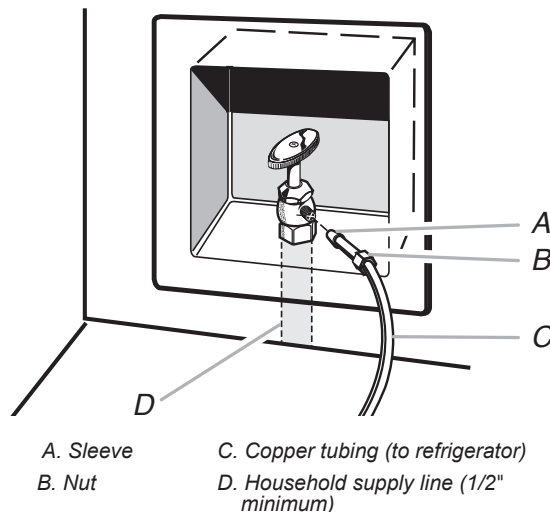
NOTE: Do not use a piercing-type or 3/16" (4.76 mm) saddle valve, which reduces water flow and clogs easier.

Connect to Water Line

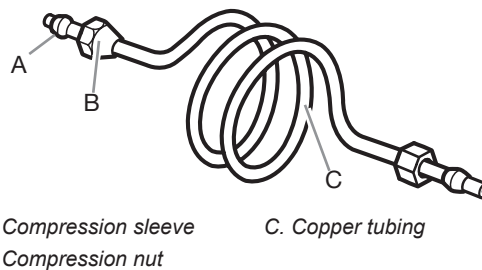
IMPORTANT: If you have turned the refrigerator on before the water was connected, turn off the ice maker.

1. Unplug refrigerator or disconnect power.
2. Turn off main water supply. Turn on nearest faucet long enough to reduce water pressure in the water line.
3. Use a quarter-turn shut-off valve or the equivalent, served by a 1/2" household supply line.

NOTE: To allow sufficient water flow to the refrigerator, a minimum 1/2" (12.7 mm) size household supply line is recommended.



4. Now you are ready to connect the copper tubing to the shut-off valve. Use 1/4" (6.35 mm) O.D. (outside diameter) soft copper tubing to connect the shut-off valve and the refrigerator.
5. Ensure that you have the proper length needed for the job. Be sure both ends of the copper tubing are cut square.
6. Slip compression sleeve and compression nut onto copper tubing as shown. Insert end of tubing into outlet end squarely as far as it will go. Screw compression nut onto outlet end with adjustable wrench. Do not overtighten.



7. Place the free end of the tubing into a container or sink and turn on main water supply to flush out tubing until water is clear. Turn off shut-off valve on the water pipe.

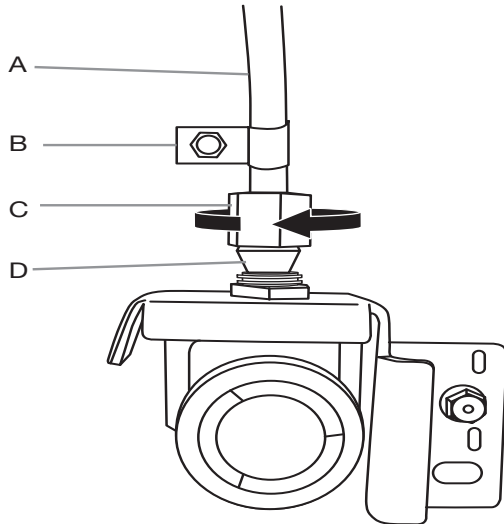
NOTE: Always drain the water line before making the final connection to the inlet of the water valve to avoid possible water valve malfunction.

- Bend the copper tubing to meet the water line inlet, located on the back of the refrigerator cabinet as shown. Leave a coil of copper tubing to allow the refrigerator to be pulled out of the cabinet or away from the wall for service.

Connect to Refrigerator

Follow the connection instructions specific to your model.

- Remove plastic cap from water valve inlet port. Attach the copper tubing to the valve inlet using a compression nut and sleeve as shown. Tighten the compression nut. Do not overtighten. Confirm copper tubing is secure by pulling on copper tubing.
- Create a service loop with the copper tubing. Avoid kinks when coiling the copper tubing. Secure copper tubing to the rear panel with a "P" clamp, using the original screw in the panel slot above the valve.



A. Copper tubing C. Compression nut
B. "P" clamp D. Compression sleeve

- Turn on water supply to refrigerator and check for leaks. Correct any leaks.

Connecting the power/ Leveling the unit

⚠ WARNING



Electrical Shock Hazard

Plug into a grounded 3 prong outlet.

Do not remove ground prong.

Do not use an adapter.

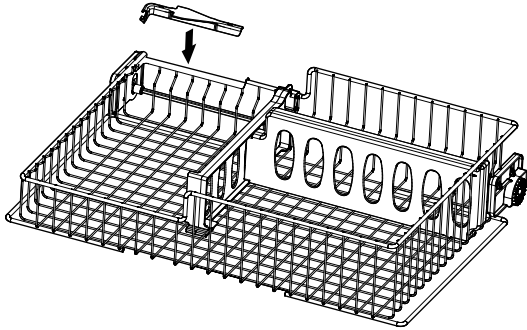
Do not use an extension cord.

Failure to follow these instructions can result in death, fire, or electrical shock.

- Plug the power cord into its AC outlet, and push the refrigerator back against the wall.
- Place a level on top of the refrigerator cabinet. If you need to relevel, follow the procedure outlined in your refrigerator's User Guide.

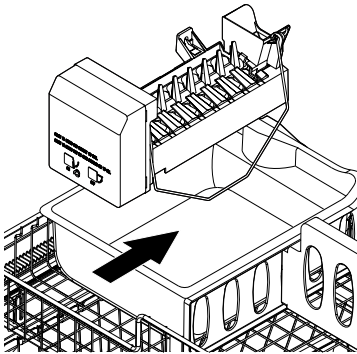
Starting the Ice Maker

1. If freezer basket does not already have a Shut-Off Arm Lift, install the one included with the kit to the back of the basket.



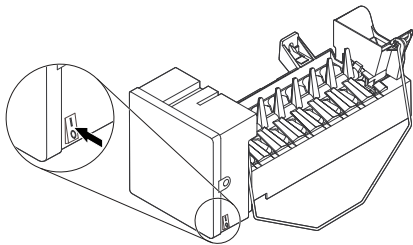
Installing shut-off arm lift

2. Reinstall the freezer baskets into the freezer compartment (if necessary, refer to your User Guide for the procedure).
3. Wash out the ice pan, then place in the upper basket, directly under the ice maker. Slide the pan as far back as it will go.



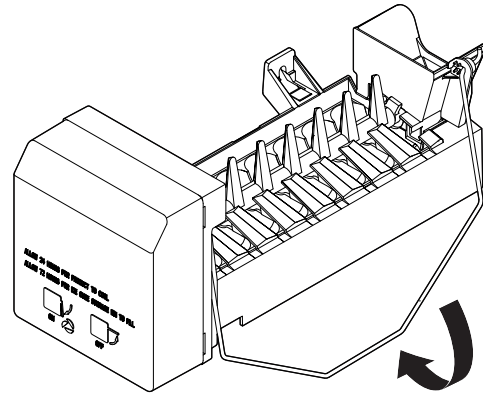
Ice pan location

4. If ice maker has an ON/OFF switch, move the rocker switch to the ON (I) position. Close the freezer door.



Turning the ice maker on (rocker switch)

5. If your ice maker does not have a rocker switch, lower wire shut-off arm to the ON (down) position and close the freezer door.



Turning the ice maker on (shut-off arm)

NOTE: Usually it takes approximately 24 hours for the ice maker to begin producing ice. Once ice is available, you may notice that it has an “off-taste”. If this happens, make two or three batches of ice and discard them. After that the “off-taste” should be gone. If you have any problem, refer to “Troubleshooting” section.

Troubleshooting

Operational notes

1. The Ice Maker valve contains a flow washer that acts like a pressure regulator to control the water flow. For the Ice Maker to work properly, the water pressure in your home must be between 20 pounds per-square-inch (psi) and 120 pounds per-square-inch (psi). If you encounter problems with your Ice Maker's ability to produce ice, call your water utility company and have the water pressure checked.

Troubleshooting chart

The following chart lists several common problems that could occur with your Ice Maker.

PROBLEM	CAUSE
One or more of the following sounds is heard: <ul style="list-style-type: none">■ Buzzing■ Trickling water■ Thud (clatter of ice)	The water valve is operating. Ice is being dumped into the ice bin.
Ice tastes stale.	The ice is old. Make a new batch.
Water in Ice Maker overflows.	Refrigerator or Ice Maker is not level. If the Ice Maker still overflows after leveling, turn off the Ice Maker's water supply at the shut-off valve and turn the switch "off"; then contact your local service center.
Not enough ice.	It will take 72 hours to fill the ice bucket. The ice maker will make ice every 2 hours to 3 hours. For more ice, adjust the freezer control for a colder setting.
Ice making has stopped.	Make sure that the water valve is Open. The water valve screen is clogged (contact your local service)
Not making ice	Make sure the rocker switch is ON (I) or the wire shut-off arm is in lowered (ON) position.

Informations importantes

Les informations suivantes sont utilisées tout au long de ce guide d'installation. Lire ce guide attentivement pour s'en familiariser.

Votre sécurité et celle des autres est très importante.

Nous donnons de nombreux messages de sécurité importants dans ce manuel et sur votre appareil ménager. Assurez-vous de toujours lire tous les messages de sécurité et de vous y conformer.



Voici le symbole d'alerte de sécurité.

Ce symbole d'alerte de sécurité vous signale les dangers potentiels de décès et de blessures graves à vous et à d'autres.

Tous les messages de sécurité suivront le symbole d'alerte de sécurité et le mot "DANGER" ou "AVERTISSEMENT". Ces mots signifient :

⚠ DANGER

Risque possible de décès ou de blessure grave si vous ne suivez pas immédiatement les instructions.

⚠ AVERTISSEMENT

Risque possible de décès ou de blessure grave si vous ne suivez pas les instructions.

Tous les messages de sécurité vous diront quel est le danger potentiel et vous disent comment réduire le risque de blessure et ce qui peut se produire en cas de non-respect des instructions.

- Ce Guide d'installation présente les instructions complètes d'installation de la machine à glaçons dans le congélateur du réfrigérateur, et les instructions de raccordement entre la conduite d'arrivée d'eau et la machine. Lire complètement le guide, et exécuter les instructions exactement comme elles sont présentées. S'assurer également de respecter toutes les instructions de « sécurité ».
- **IMPORTANT** : L'installation de la conduite d'eau et de la machine à glaçons doit être effectuée par un technicien de service qualifié.
- Avant d'entreprendre l'installation de la machine à glaçons, il est nécessaire d'acquérir un ensemble « Tube en cuivre malléable », contenant un ensemble robinet d'arrêt ordinaire/ bride de prise en charge (pour réfrigérateur avec machine à glaçons automatique ou casiers auto-remplissables). L'ensemble contient tout le matériel nécessaire pour le raccordement de la machine à glaçons à la source d'eau. On peut acheter l'ensemble nécessaire dans la plupart des magasins de quincaillerie ou de fournitures de plomberie.

REMARQUE : Ne pas utiliser de vanes d'arrêt de type perforant ou de 3/16 po. Ils réduisent le débit d'eau vers la machine à glaçons et sont facilement obstrués. Ne pas utiliser de tube en polyéthylène pour connecter la machine à glaçons à la conduite d'eau. Utiliser uniquement des tubes en cuivre de 1/4 po (DE).

L'INSTALLATION RÉALISÉE PAR LE CLIENT/UTILISATEUR N'EST PAS GARANTIE PAR LE FABRICANT DU RÉFRIGÉRATEUR OU DE LA MACHINE À GLAÇONS.

Avant de commencer

Outils

Rassembler les outils et composants nécessaires avant d'entreprendre le processus d'installation. Lire et observer les instructions fournies avec chacun des outils de la liste suivante.

1. Tournevis ordinaire
2. Tournevis à tête cruciforme
3. Clés plates de 7/16 po et 1/2 po (ou clé à molette)
4. Pince
5. Tourne-écrou de 1/4 po
6. Niveau
7. Règle
8. Tournevis électrique

Composants

Ôter les divers articles de l'emballage d'expédition, et placer ceux-ci sur une table pour pouvoir les identifier facilement.

Ne pas jeter les matériaux d'emballage avant que toutes les pièces requises soient identifiées.

QTÉ	DESCRIPTION
1	Ensemble de machine à glaçons
2	Faisceau de cavalier
1	Casier à glaçons
1	Tube de remplissage
1	Couvercle de la conduite d'eau
5	Vis de 5/8 po
1	Bride de la conduite d'eau
1	Écrou et manchon de compression
2	Électrovanne d'admission d'eau
1	Clip adhésif
1	Pare-éclaboussures
1	Guide de tube
1	Défecteur d'air
1	Instructions d'installation
1	Élévateur de bras d'arrêt

Remarques concernant l'installation

Pour chaque groupe d'étapes, étudier le schéma présenté juste à côté ou au-dessous du texte, pour tout besoin de clarification. Certaines illustrations peuvent contenir des étiquettes A, B ou C, qui sont référencées dans les étapes associées. Certaines illustrations contiennent également des « DÉTAILS ». Les DÉTAILS sont contenus dans des bulles à côté de l'illustration plus grande.


Installer les pièces comme indiqué à chaque étape et l'illustration correspondante.

Installation de la machine à glaçons

Opérations préparatoires

1. Écarter le réfrigérateur du mur pour pouvoir accéder facilement au panneau arrière.

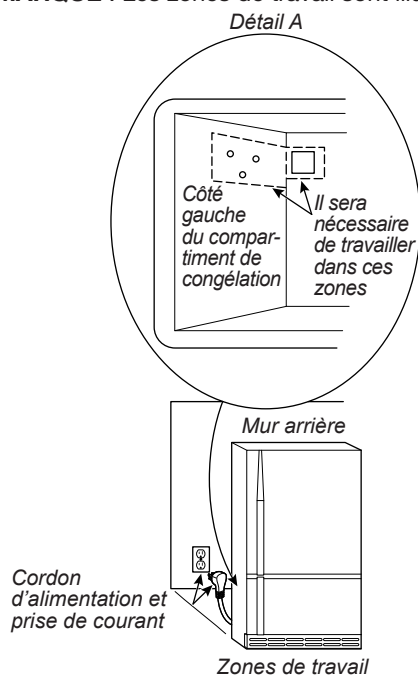
⚠ AVERTISSEMENT



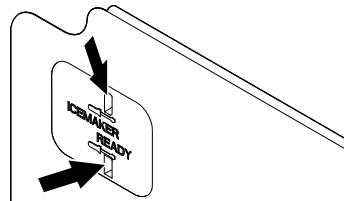
Risque de choc électrique
Déconnecter la source de courant électrique avant l'installation de la machine à glaçons.
Le non-respect de cette instruction peut causer un décès ou un choc électrique.

2. Débrancher le réfrigérateur ou déconnecter la source de courant électrique.
3. Ouvrir la porte du congélateur et retirer tous les aliments de l'intérieur du compartiment de congélation.
4. Retirer tous les paniers, clayettes, bacs à glaçons et le support du bac à glaçons (si nécessaire, se reporter au Guide d'utilisation pour se familiariser avec la procédure). Mettre ces articles de côté.

REMARQUE : Les zones de travail sont illustrées ci-dessous.

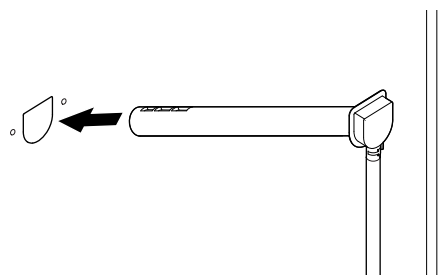


5. Retirer le couvercle d'accès au raccordement des conduites d'eau de la paroi arrière du congélateur en insérant un tournevis à tête plate dans chacune des fentes sur la face du couvercle et en faisant levier.



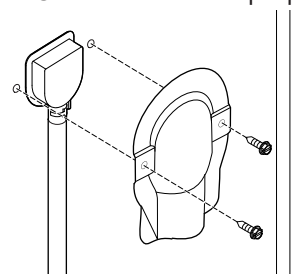
Couvercle d'accès au raccordement des conduites d'eau

6. S'il est présent, repérer l'autocollant d'entrée du tube à l'arrière de l'unité et le retirer. Couper le ruban adhésif sous l'autocollant.
7. Insérer le tube de remplissage dans le trou à l'arrière de l'appareil avec le bec vers le bas.



Élément chauffant du tube de remplissage

8. Installer le couvercle de conduite d'eau sur le tube de remplissage à l'aide de deux des vis 5/8 po fournies dans la trousse. Un tournevis électrique peut être utilisé.

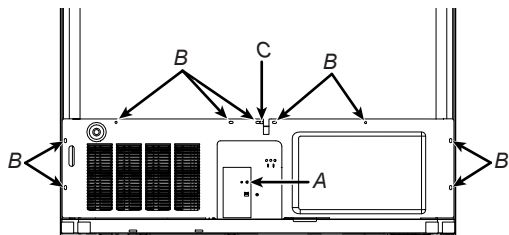


Couvercle de conduite d'eau

Montage de l'électrovanne d'admission d'eau

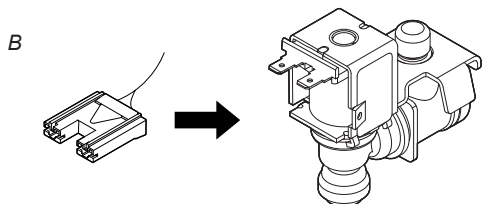
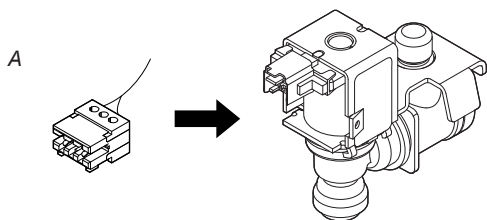
REMARQUE : Lors de l'utilisation de la trousse pour remplacer une machine à glaçons ou une électrovanne existante, la nouvelle électrovanne et la nouvelle machine à glaçons de cette trousse doivent être utilisées.

1. Retirer la vis du couvercle de l'électrovanne (A) à l'aide d'un tourne-écrou de 1/4 po. Conserver la vis. Détacher le faisceau du côté intérieur du couvercle en retirant le clip. Jeter le couvercle.



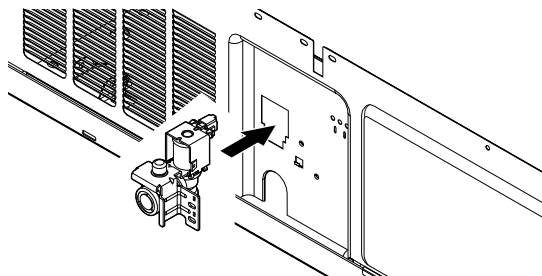
Couvercle de l'électrovanne et vis du panneau arrière

2. Retirer 6-9 vis (B) du panneau arrière. Retirer le serre-câble de la fente (C). Retirer le panneau.
3. Localiser le connecteur de l'électrovanne d'admission d'eau à 2 broches à l'intérieur du compartiment de la machine. Déterminer laquelle des deux électrovannes d'eau incluses a la connexion appropriée pour s'accoupler avec ce connecteur. Jetez l'autre électrovanne d'eau.



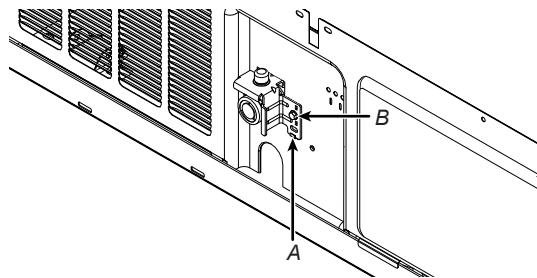
Raccorder le bon connecteur de faisceau à l'électrovanne

4. Insérez le haut de l'électrovanne choisie à l'étape (3) dans la fente du panneau arrière, puis faites-la tourner de sorte que le support soit à plat contre le panneau.



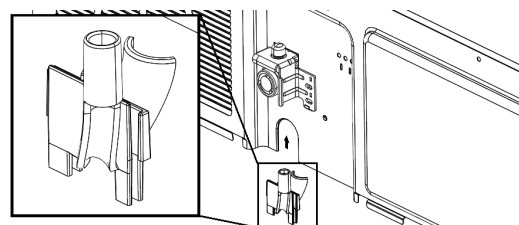
Insertion de l'électrovanne

5. S'assurer que le support de l'électrovanne d'eau est placé dans la languette de retenue (A) et le fixer au panneau avec la vis (B) retirée à l'étape 1.



Fixation de l'électrovanne

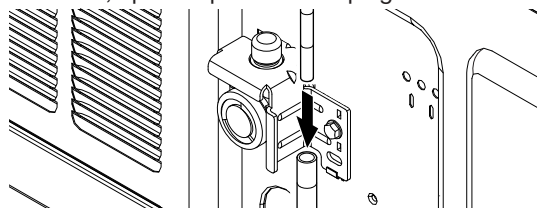
6. Faire glisser le guide de conduite d'eau dans la fente du panneau arrière sous l'électrovanne, comme indiqué sur l'illustration.



Installation du guide de la conduite d'eau

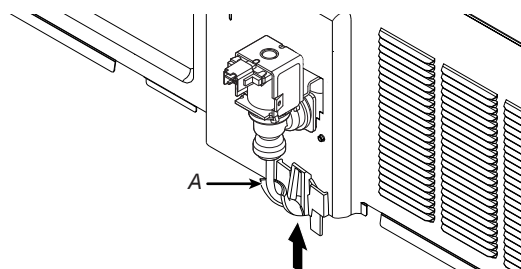
7. Insérer la conduite d'eau du tube de remplissage dans l'ouverture du guide de conduite d'eau. Boucler le tube sous le bas du panneau arrière et l'insérer dans la buse du robinet d'eau.

REMARQUE : S'assurer que le tube est complètement inséré dans la valve, après le premier marquage sur le tube.



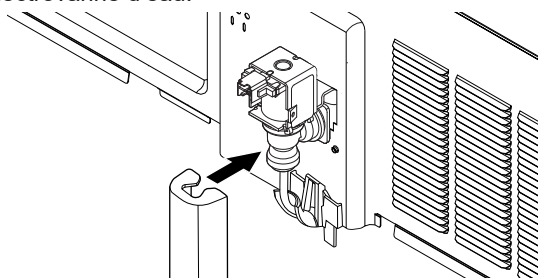
Insertion de la conduite d'eau dans le guide

8. Tirer l'excédent de tube de conduite d'eau contre le canal en U (A) dans le guide de conduite d'eau.



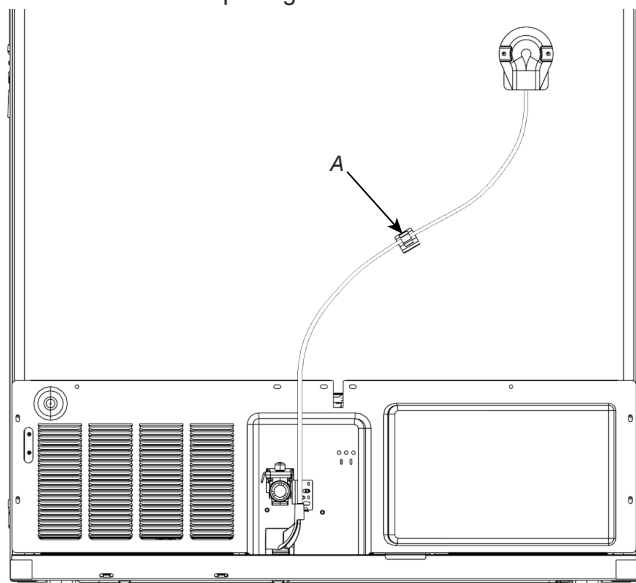
Vue intérieure du panneau arrière

9. Enclencher la protection en plastique sur la buse de l'électrovanne d'eau.



Installation du bouclier de l'électrovanne d'eau

10. Brancher le connecteur du compartiment de la machine du réfrigérateur dans le connecteur/les bornes de l'électrovanne d'eau.
11. Insérer le clip du serre-câble sur le cordon d'alimentation dans la fente du panneau arrière et réinstaller le panneau à l'aide de 6 à 9 vis retirées à l'étape 2 (se reporter à l'illustration de l'étape 2 pour les emplacements des vis B et l'emplacement du serre-câble C).
12. Fixer l'excédent de tube de conduite d'eau à la caisse avec un petit clip adhésif en plastique inclus dans la trousse de machine à glaçons. Positionner le clip (A) environ à mi-chemin entre le tube de remplissage et l'électrovanne.

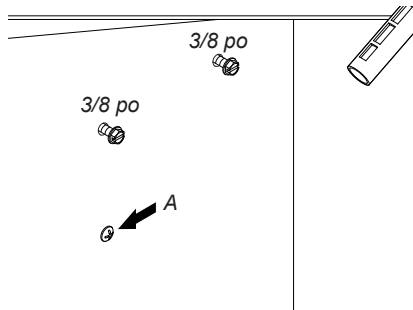


A Clip

Montage de la machine à glaçons

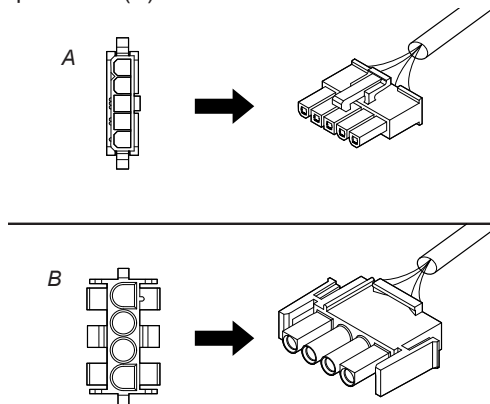
REMARQUE : Lors de l'utilisation de la trousse pour remplacer une machine à glaçons ou une électrovanne existante, la nouvelle électrovanne et la nouvelle machine à glaçons de cette trousse doivent être utilisées.

1. Visser deux vis de montage de la machine à glaçons de 5/8 po dans les trous supérieurs présents dans la paroi gauche de la section du congélateur. Laisser la tête en saillie de 3/8 po pour que la fente du support de la machine à glaçons glisse sur les vis. Retirer la vis cruciforme (A) si présente et la jeter.



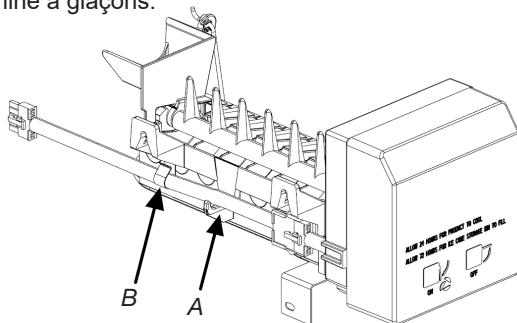
Emplacement des vis

2. Déterminer lequel des deux faisceaux de cavaliers fournis correspond au boîtier de connecteur à l'arrière de votre congélateur. Un boîtier à 5 broches nécessite le cavalier avec la fiche à 5 broches correspondante (A). Un boîtier à 4 broches nécessite le cavalier avec la fiche à 4 broches correspondante (B).



Déterminer le bon cavalier

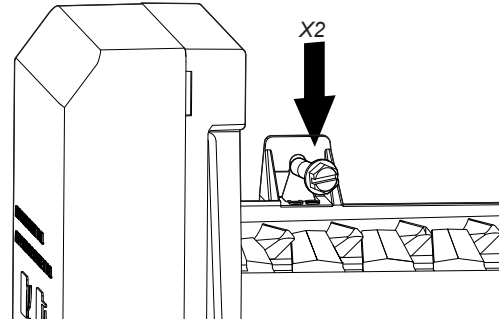
3. Connecter le cavalier choisi à l'étape 2 au faisceau de la machine à glaçons. Vérifier que les doigts de verrouillage s'enclenchent. Faire passer le cavalier par-dessus le guide (A) et à travers le clip métallique (B) sur le côté de la machine à glaçons.



A Guide
B Clip

4. Connecter l'autre extrémité du cavalier au boîtier à l'arrière de votre congélateur, en vous assurant que les doigts de verrouillage s'enclenchent.
5. Faire glisser les supports de la machine à glaçons sur les vis.

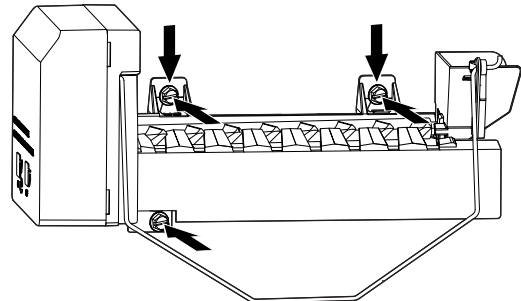
IMPORTANT : S'assurer que le haut de chaque vis touche le bas du support de la machine à glaçons (voir l'illustration). Cela garantit que la machine à glaçons est correctement orientée.



Montage de la machine à glaçons sur les vis supérieures

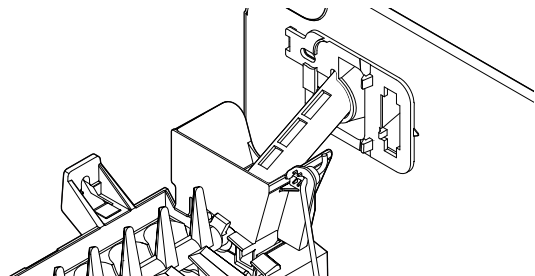
6. Serrer les vis de montage supérieures, en s'assurant que les crochets restent au même niveau que les vis lorsque les vis sont serrées. Insérer la vis de montage restante dans le bas de la machine à glaçons et la serrer.

Remarque : La vis supérieure avant est légèrement plus basse que la vis arrière, de sorte que la machine à glaçons doit s'incliner légèrement pour que l'eau s'écoule de la cuvette de remplissage.



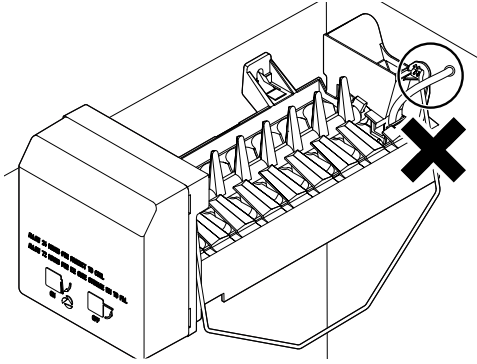
Maintenir les supports contre les vis pendant le serrage

7. Vérifier que le tube de remplissage d'eau est aligné avec la cuvette de remplissage de la machine à glaçons. Si nécessaire, desserrer les vis de montage pour corriger l'alignement de la machine à glaçons avec le tube de remplissage, puis répéter les étapes 5 à 6.



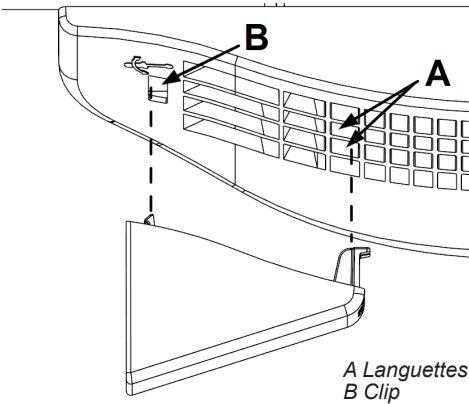
Alignez le tube de remplissage avec la coupelle

8. Faire passer le faisceau de câbles et le cavalier à l'écart de la machine à glaçons des pièces mobiles et remplir le tube. Confirmer que le bras de détection peut se déplacer librement entre les positions abaissée et horizontale.

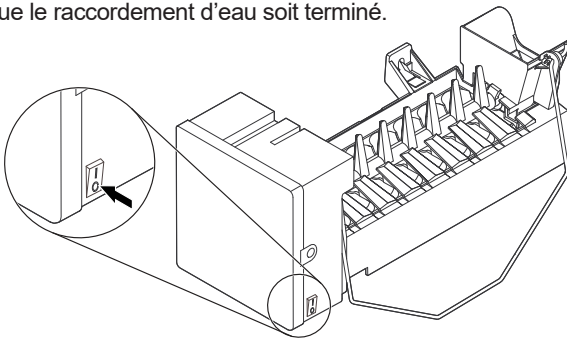


Mauvaise position du faisceau (restriction du bras de détection)

9. Installer le déflecteur d'air en insérant 2 languettes dans les ouvertures (A) de la grille d'air du congélateur, puis en enclenchant le clip dans la fente (B).

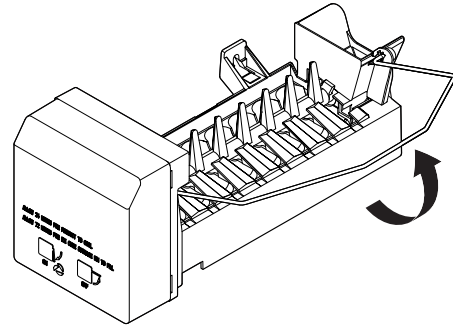


10. Si la machine à glaçons est équipée d'un interrupteur à bascule MARCHE/ARRÊT, le placer en position ARRÊT (O) jusqu'à ce que le raccordement d'eau soit terminé.



Éteindre la machine à glaçons (interrupteur à bascule)

11. Si la machine à glaçons n'a pas d'interrupteur à bascule, lever le bras d'arrêt en position ARRÊT (vers le haut) jusqu'à ce que le raccordement d'eau soit terminé.



Éteindre la machine à glaçons (bras d'arrêt)

Raccordement à la conduite d'eau

Lire toutes les instructions avant de commencer.

IMPORTANT :

- Brancher sur une alimentation en eau potable uniquement.

Ne pas utiliser pour le filtrage d'une eau microbiologiquement polluée ou de qualité inconnue en l'absence d'un dispositif de désinfection adéquat avant ou après le système. Les systèmes certifiés pour la réduction de kyste peuvent être utilisés pour l'eau désinfectée qui peut contenir des kystes filtrables.

- Réaliser l'installation de plomberie conformément aux prescriptions du International Plumbing Code et des normes et codes locaux en vigueur.
- Il est possible d'utiliser des raccords en cuivre ou en polyéthylène réticulé pour le raccordement de la conduite d'eau du domicile au réfrigérateur; ils contribuent à éviter que l'eau ait un goût ou une odeur désagréable. Vérifier qu'il n'y a pas de fuites.
- Si on utilise un tube en polyéthylène réticulé au lieu d'un tube en cuivre, nous recommandons les numéros de pièce suivants : W10505928RP (PEX chemisé de 7 pi [2,14 m]), 8212547RP (PEX de 5 pi [1,52 m]), ou W10267701RP (PEX de 25 pi [7,62 m]).
- Installer des tubes seulement là où les températures resteront au-dessus du point de congélation.

Outils requis :

Rassembler les outils et pièces nécessaires avant d'entreprendre l'installation.

- Tournevis à tête plate
- Clés plates de 7/16 po et 1/2 po ou 2 clés à molette
- Tourne-écrou de 1/4 po

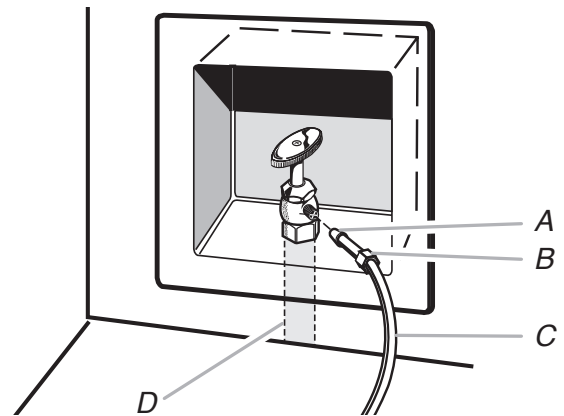
REMARQUE : Ne pas employer de robinet d'arrêt à étrier de 3/16 po (4,76 mm) ou de type à percer, car cela réduit le débit d'eau et augmente le risque d'obstruction.

Raccordement à la conduite d'eau

IMPORTANT : Si le réfrigérateur est mis en marche avant de raccorder la conduite d'eau, mettre la machine à glaçons à l'arrêt.

1. Débrancher le réfrigérateur ou déconnecter la source de courant électrique.
2. Couper l'alimentation principale en eau. Ouvrir le robinet le plus proche suffisamment longtemps pour réduire la pression de l'eau dans la conduite d'eau.
3. Utiliser un robinet d'arrêt quart de tour ou équivalent alimenté par une conduite d'alimentation domestique de 1/2 po.

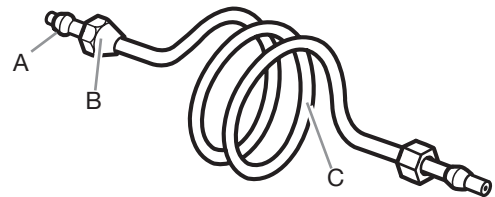
REMARQUE : Pour que le réfrigérateur reçoive un débit d'eau suffisant, on recommande l'emploi d'une conduite d'alimentation domestique en cuivre de 1/2 po (12,7 mm).



A. Manche
B. Écrou

C. Tube en cuivre (jusqu'au réfrigérateur)
D. Conduite d'alimentation du domicile (1/2 po minimum)

4. Il est maintenant possible de connecter le tube en cuivre au robinet d'arrêt. Utiliser un tube en cuivre de 1/4 po (6,35 mm) (diamètre externe) pour raccorder le robinet d'arrêt au réfrigérateur.
5. S'assurer d'avoir la longueur nécessaire pour une installation correcte. Il faut s'assurer que les deux extrémités du tube en cuivre sont bien coupées à angle droit.
6. Installer la bague et l'écrou à compression sur le tube en cuivre comme indiqué. Insérer l'extrémité du tube aussi profondément que possible dans l'extrémité de sortie et à l'équerre. Visser l'écrou de compression sur l'extrémité de sortie du raccord à l'aide d'une clé à molette. Ne pas serrer excessivement.



A. Bague de compression
B. Écrou de compression

C. Tube en cuivre

7. Placer l'extrémité libre du tube dans un contenant ou un évier et rétablir l'alimentation principale en eau pour nettoyer le tuyau jusqu'à ce que l'eau soit limpide. Fermer le robinet d'arrêt sur le tuyau d'alimentation en eau.

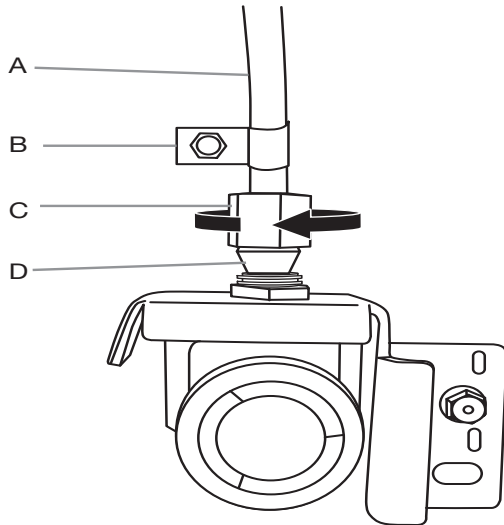
REMARQUE : Toujours vidanger la conduite d'alimentation en eau avant de faire le raccordement final sur l'entrée du robinet pour éviter tout mauvais fonctionnement éventuel du robinet.

8. Courber le tube en cuivre de façon à le raccorder à l'arrivée de la conduite d'eau située à l'arrière de la caisse du réfrigérateur, comme illustré. Laisser une partie du tube en cuivre enroulée pour permettre de dégager le réfrigérateur de la caisse ou du mur en cas de dépannage.

Raccordement au réfrigérateur

Suivre les instructions relatives au modèle utilisé pour le raccordement.

1. Ôter le bouchon de plastique de l'orifice d'entrée d'eau. Raccorder le tube en cuivre au robinet d'arrivée d'eau à l'aide d'un écrou et d'une bague de compression, comme illustré. Serrer l'écrou de compression. Ne pas serrer excessivement. Vérifier la solidité du raccordement en tirant sur le tube en cuivre.
2. Créer une boucle de service avec le tube en cuivre. Éviter de déformer le tube en cuivre en l'enroulant. Fixer le tube en cuivre au panneau arrière avec une pince en «P», en utilisant la vis d'origine dans la fente du panneau au-dessus de l'électrovanne.



A. Tube en cuivre

B. Bride en «P»

C. Écrou à compression

D. Bague de compression

3. Ouvrir l'arrivée d'eau alimentant le réfrigérateur et vérifier l'absence de fuites. Éliminer toute fuite détectée.

Rétablissement de l'alimentation électrique/ réglage de l'aplomb de l'appareil

⚠ AVERTISSEMENT



Risque de choc électrique

Brancher sur une prise à 3 alvéoles reliée à la terre.

Ne pas enlever la broche de liaison à la terre.

Ne pas utiliser un adaptateur.

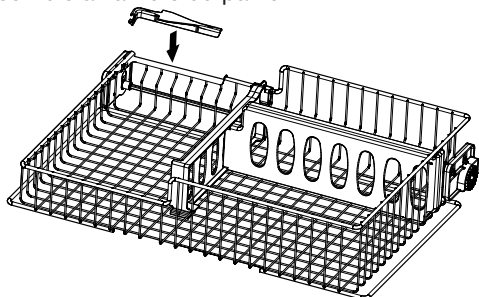
Ne pas utiliser un câble de rallonge.

Le non-respect de ces instructions peut causer un décès, un incendie ou un choc électrique.

1. Brancher le cordon d'alimentation sur la prise de courant CA et pousser le réfrigérateur contre le mur.
2. Placer un niveau au sommet de la caisse du réfrigérateur. S'il faut procéder à une nouvelle mise à niveau, suivre la procédure décrite dans le guide d'utilisation de ce réfrigérateur.

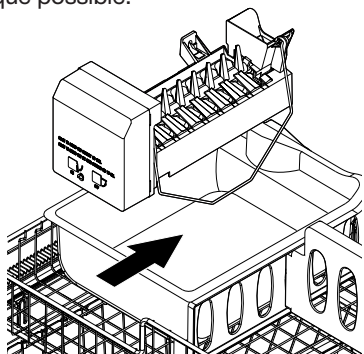
Mise en marche de la machine à glaçons

1. Si le panier du congélateur n'est pas déjà équipé d'un élévateur de bras d'arrêt, installer celui qui est fourni avec l'ensemble à l'arrière du panier.



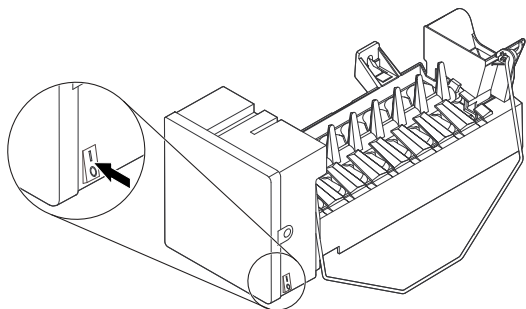
Installation du élévateur de bras d'arrêt

2. Réinstaller les paniers du congélateur dans le compartiment congélateur (si nécessaire, se reporter au Guide d'utilisation pour se familiariser avec la procédure).
3. Laver le bac à glaçons, puis le placer dans le panier supérieur, directement sous la machine à glaçons. Faire glisser le bac aussi loin que possible.



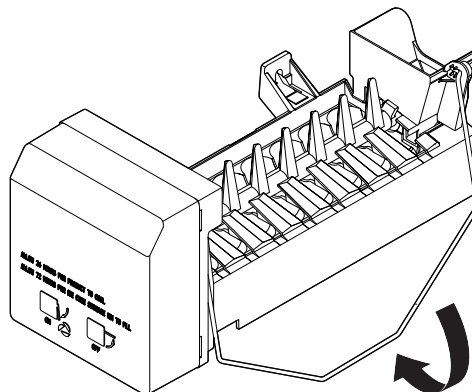
Emplacement du bac à glace

4. Si la machine à glaçons est équipée d'un interrupteur MARCHE/ARRÊT, placer l'interrupteur à bascule sur la position ON (marche) (I). Fermer la porte du congélateur.



Mise en marche de la machine à glaçons (interrupteur à bascule)

5. Si la machine à glaçons n'est pas équipée d'un interrupteur à bascule, abaisser le bras d'arrêt à la position ON (marche) (vers le bas) et fermer la porte du congélateur.



Mise en marche de la machine à glaçons (bras d'arrêt)

REMARQUE : Il faut généralement attendre environ 24 heures pour que la machine à glaçons commence à produire des glaçons. Lorsque de la glace est disponible, on remarquera peut-être une saveur inhabituelle; si c'est le cas, jeter les deux ou trois premiers lots de glaçons produits; après cela, la saveur inhabituelle observée devrait disparaître. En cas de problème, consulter la section « Dépannage ».

Dépannage

Notes sur le fonctionnement de l'appareil

1. L'électrovanne de la machine à glaçons comporte un dispositif qui tient lieu de régulateur de pression et contrôle ainsi le débit d'eau. Pour que la machine à glaçons fonctionne correctement, il faut que la pression de l'eau dans le circuit de la résidence soit d'environ 20 à 120 livres par pouce carré (lb/po²). En cas de problème affectant la capacité de la machine à glaçons à produire de la glace, contacter la compagnie locale de distribution d'eau pour demander un contrôle de la pression de distribution.

Tableau de diagnostic/dépannage

Le tableau qui suit décrit quelques problèmes usuels qui peuvent survenir et affecter la machine à glaçons.

PROBLÈME	CAUSE
Bruit perceptible (un ou plusieurs des bruits suivants) : <ul style="list-style-type: none">■ Bourdonnement■ Écoulement d'eau lent■ Claquement (émanant des glaçons)	Fonctionnement de l'électrovanne d'admission d'eau. Déversement des glaçons dans le tiroir à glaçons.
Saveur de « pas frais » des glaçons.	Les glaçons sont vieux. Préparer un nouveau lot de glaçons.
Débordement d'eau dans la machine à glaçons.	Défaut d'aplomb du réfrigérateur ou de la machine à glaçons. Si on observe encore un débordement dans la machine à glaçons après le réglage de l'aplomb, fermer l'arrivée d'eau de la machine à glaçons (au niveau du robinet d'arrêt), et mettre l'interrupteur en position d'arrêt; contacter ensuite le centre de dépannage local.
Quantité de glaçons insuffisante.	Le délai de remplissage du panier à glaçons est d'environ 72 heures. La machine à glaçons produit des glaçons à intervalles de 2 à 3 heures. Pour augmenter la production de glace, régler le thermostat du congélateur pour une plus basse température.
Arrêt de la production de glace.	Vérifier que le robinet de la conduite d'eau est ouvert. Le tamis de l'électrovanne d'admission d'eau est bouché (contactez votre service local)
Pas de production de glaçons	S'assurer que l'interrupteur à bascule est sur ON (marche) (I) ou que le bras d'arrêt est en position abaissée (ON) (marche).

Información importante

La siguiente información se aplica a lo largo de toda la Guía de instalación. Léala detenidamente para familiarizarse con ella.

Su seguridad y la seguridad de los demás es muy importante.

Hemos incluido muchos mensajes importantes de seguridad en este manual y en su electrodoméstico. Lea y obedezca siempre todos los mensajes de seguridad.



Este es el símbolo de alerta de seguridad.

Este símbolo le llama la atención sobre peligros potenciales que pueden ocasionar la muerte o una lesión a usted y a los demás.

Todos los mensajes de seguridad irán a continuación del símbolo de advertencia de seguridad y de la palabra "PELIGRO" o "ADVERTENCIA". Estas palabras significan:

 **PELIGRO**

Si no sigue las instrucciones de inmediato, usted puede morir o sufrir una lesión grave.

 **ADVERTENCIA**

Si no sigue las instrucciones, usted puede morir o sufrir una lesión grave.

Todos los mensajes de seguridad le dirán el peligro potencial, le dirán cómo reducir las posibilidades de sufrir una lesión y lo que puede suceder si no se siguen las instrucciones.

- Esta Guía de instalación le provee las instrucciones completas sobre cómo instalar el juego de la fábrica de hielo en su refrigerador-congelador con fábrica de hielo y sobre cómo conectar la línea de agua en esta. Lea minuciosamente la guía y siga las instrucciones al pie de la letra. También asegúrese de observar todas las instrucciones de seguridad.
- **IMPORTANTE:** La línea de agua y la fábrica de hielo deben ser instaladas por un técnico de servicio calificado.
- Antes de comenzar a instalar el juego de la fábrica de hielo, deberá comprar un juego de tubería de cobre que incluya un "Conjunto de válvula común y abrazadera" (para los refrigeradores que tengan una fábrica de hielo automática o bandejas de llenado automático). El juego incluye todas las piezas de ferretería necesarias para conectar su fábrica de hielo al suministro de agua. Lo puede adquirir en cualquier ferretería o tienda de artículos de plomería.

NOTA: No use una válvula perforadora ni una válvula de cierre de 3/16". Éstas reducen el flujo de agua a la fábrica de hielo y se obstruyen fácilmente. No use tubería de polietileno para conectar la fábrica de hielo a la línea de agua. Use solamente tubería de cobre de 1/4" de diámetro externo.

LA INSTALACIÓN POR PARTE DEL CLIENTE NO ESTÁ GARANTIZADA POR EL FABRICANTE DEL REFRIGERADOR NI EL DE LA FÁBRICA DE HIELO.

Antes de comenzar

Herramientas

Reúna las herramientas y piezas necesarias antes de comenzar la instalación. Lea y siga las instrucciones provistas con cualquiera de las herramientas detalladas aquí.

1. Destornillador común
2. Destornillador Phillips
3. Llaves de extremo abierto de 7/16" y 1/2" (o una llave ajustable)
4. Pinzas
5. Llave para tuercas de 1/4"
6. Nivel
7. Regla
8. Destornillador eléctrico

Componentes

Saque el contenido de la caja de envío y coloque los artículos sobre una mesa, en donde se puedan identificar y ubicar fácilmente.

No descarte ningún material de embalaje hasta que se hayan identificado todas las piezas necesarias.

CANT.	DESCRIPCIÓN
1	Conjunto de la fábrica de hielo
2	Arnés de puente
1	Bandeja de hielos
1	Conjunto del tubo de llenado
1	Cubierta de la línea de agua
5	Tornillos de 5/8"
1	Tenaza de la línea de agua
1	Tuerca y manguito de compresión
2	Válvula de agua
1	Clip adhesivo
1	Protector contra salpicaduras
1	Guía del tubo
1	Desviador de aire
1	Instrucciones de instalación
1	Elevador de brazo de cierre

Notas sobre la instalación

Consulte el diagrama que se muestra justo al lado o debajo del texto de cada uno de los pasos si requiere clarificación. Algunas ilustraciones pueden contener etiquetas A, B o C, a las que se hace referencia en los pasos asociados. Algunas ilustraciones también incluyen "DETALLES". Los DETALLES se incluyen en globos al lado de la ilustración más grande.

Instale las piezas como se indica en cada paso y en su ilustración correspondiente.

Instalación de la fábrica de hielo

Pasos de preparación

1. Aleje el refrigerador de la pared para que pueda acceder fácilmente al panel posterior.

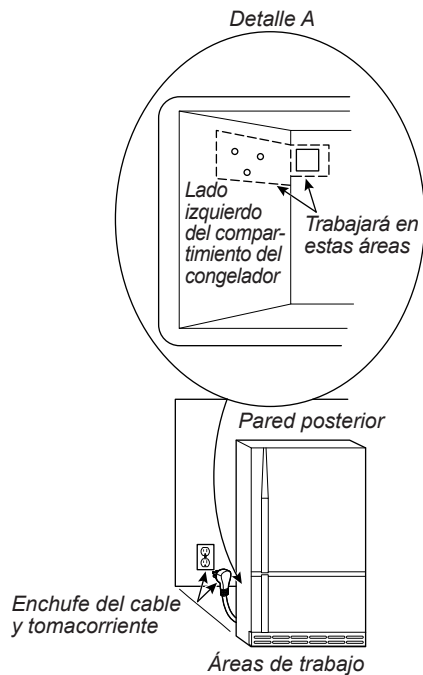
⚠ ADVERTENCIA



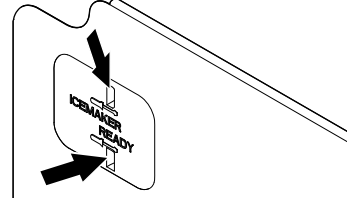
Peligro de Choque Eléctrico
Desconecte el suministro de energía antes de instalar la fábrica de hielo.
No seguir esta instrucción puede ocasionar la muerte o choque eléctrico.

2. Desenchufe el refrigerador o desconecte el suministro de energía.
3. Abra la puerta del congelador y saque todos los alimentos del compartimiento interior del congelador.
4. Retire todas las cestas, estantes, bandejas para cubitos de hielo y el soporte de la bandeja de cubitos de hielo (si es necesario, consulte la Guía del usuario para conocer el procedimiento). Ponga estos artículos a un lado.

NOTA: Las áreas de trabajo se muestran a continuación.

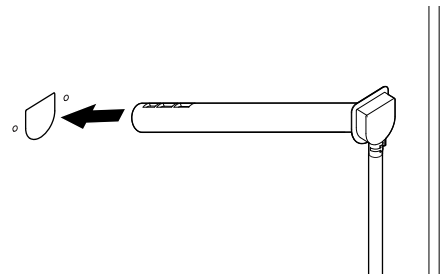


5. Retire la tapa de la conexión de agua de la pared trasera del congelador, para esto inserte un destornillador de cabeza plana en cada una de las ranuras en la cara de la tapa y haga palanca.



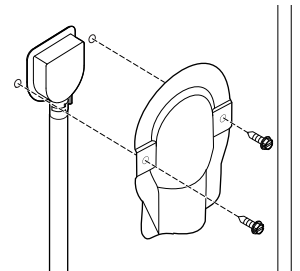
Cubierta de la conexión de agua

6. Si está presente, ubique la etiqueta de entrada del tubo en la parte posterior de la unidad y retírela. Corte cualquier cinta debajo de la calcomanía.
7. Inserte el tubo de llenado a través del orificio en la parte de atrás de la unidad con el pico hacia abajo.



Instalación del tubo de llenado

8. Instale la cubierta de la línea de agua sobre el tubo de llenado con dos de los tornillos de 5/8" incluidos en el juego. Puede utilizarse un destornillador eléctrico.

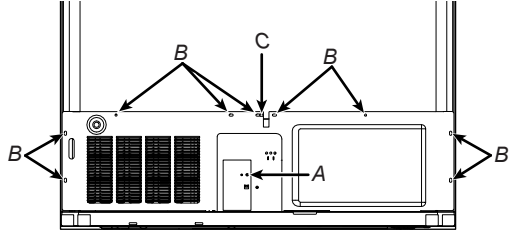


Cubierta de la línea de agua

Para montar la válvula de agua

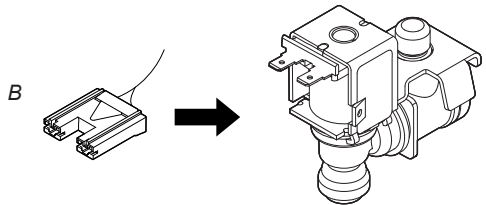
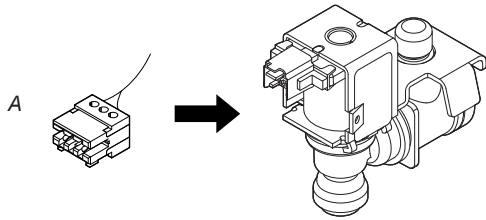
NOTA: Cuando utilice este juego para reemplazar una fábrica de hielo o una válvula existente, deben usarse la válvula y la fábrica de hielo nuevas de este kit.

1. Retire el tornillo de la tapa de la válvula (A) con una llave para tuercas de 1/4". Conserve el tornillo. Separe el arnés del lado interior de la funda quitando el clip. Deseche la tapa.



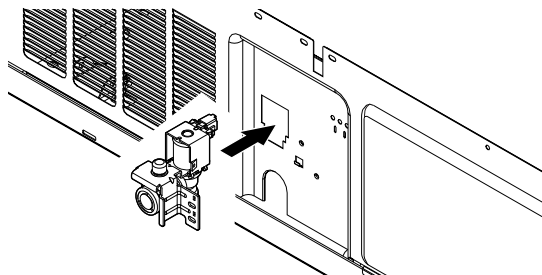
Tornillos de la cubierta de la válvula y del panel trasero

2. Quite 6-9 tornillos (B) del panel trasero. Retire el protector contra tirones de la ranura (C). Quite el panel.
3. Ubique el conector de la válvula de agua de 2 clavijas dentro del compartimiento de la máquina. Determine cuál de las dos válvulas de agua incluidas tiene la conexión adecuada para acoplarse con este conector. Deseche la otra válvula de agua.



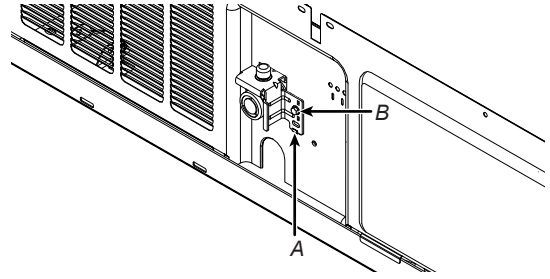
Adaptación del conector del mazo de cables a la válvula

4. Inserte la parte superior de la válvula elegida en el paso (3) a través de la ranura en el panel trasero, luego gire para que el soporte quede plano contra el panel.



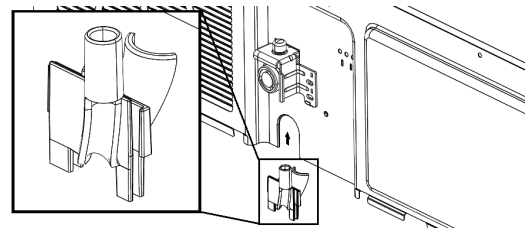
Insertado de la válvula

5. Asegúrese de que el soporte de la válvula de agua esté colocado en la lengüeta de retención (A) y asegúrelo al panel con el tornillo (B) que quitó en el paso 1.



Aseguramiento de la válvula

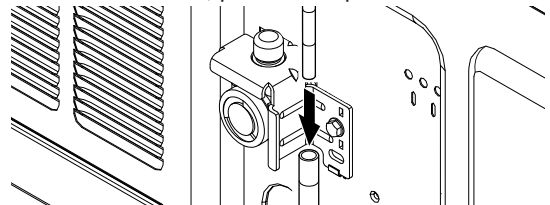
6. Deslice la guía de la línea de agua en la ranura del panel trasero debajo de la válvula, como se muestra en la ilustración.



Instalación de la guía de la línea de agua

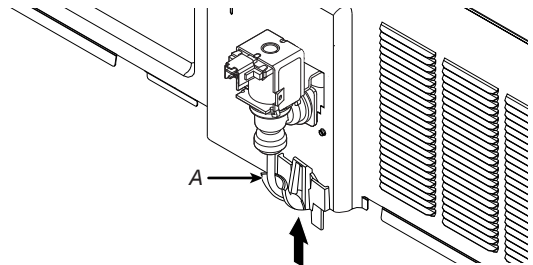
7. Inserte la línea de agua del tubo de llenado en la abertura de la guía de la línea de agua. Enrolle el tubo debajo de la parte inferior del panel trasero e insértelo en la boquilla de la válvula de agua.

NOTA: Asegúrese de que el tubo esté completamente insertado en la válvula, pasando la primera marca en el tubo.



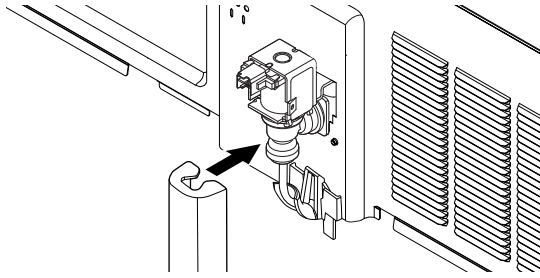
Insertado de la línea de agua en la guía

8. Estire el exceso de tubería de la línea de agua contra el canal en U (A) en la guía de la línea de agua.



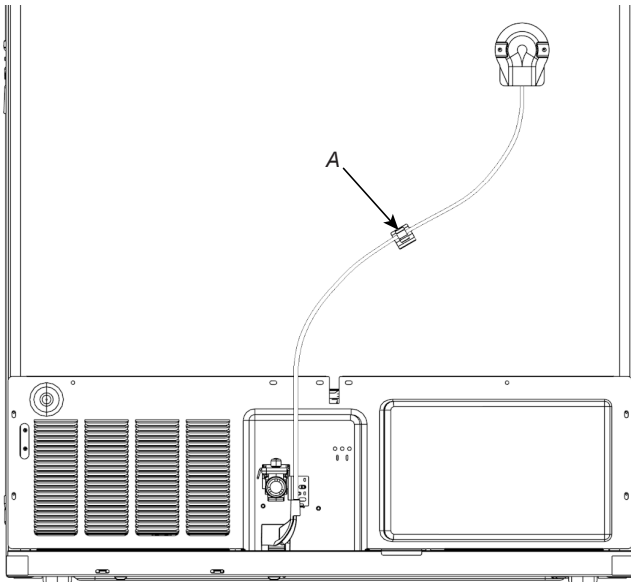
Vista interior del panel trasero

9. Coloque el protector de plástico sobre la boquilla de la válvula de agua.



Instalación del protector de la válvula de agua

10. Enchufe el conector del compartimento de la máquina del refrigerador en el conector/terminales de la válvula de agua.
11. Inserte el clip de alivio de tensión en el cable eléctrico de nuevo en la ranura del panel trasero y vuelva a instalar el panel con los 6-9 tornillos que quitó en el paso 2 (consulte la ilustración en el paso 2 para ver las ubicaciones de los tornillos B y la ubicación de alivio de tensión C).
12. Asegure el exceso de tubería de la línea de agua al gabinete con un pequeño clip adhesivo de plástico incluido en el juego de la máquina de hielo. Coloque el clip (A) aproximadamente a la mitad entre el tubo de llenado y la válvula.

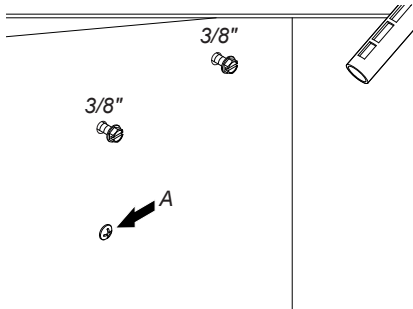


A Clip

Montaje de la fábrica de hielo

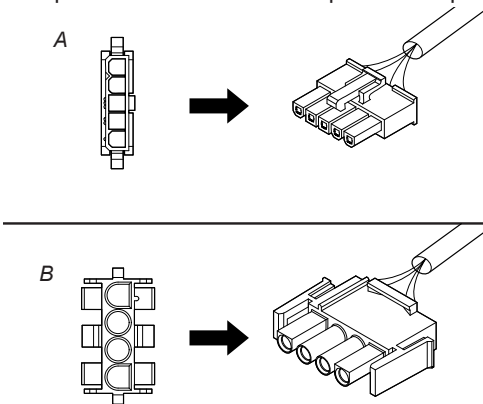
NOTA: Cuando utilice este juego para reemplazar una fábrica de hielo o una válvula existente, deben usarse la válvula y la fábrica de hielo nuevas de este kit.

1. Atornille dos tornillos de montaje de la máquina de hielo de 5/8" en los orificios superiores de la pared izquierda de la sección del congelador. Deje la cabeza hacia afuera aproximadamente 3/8" para que la ranura de la percha de la máquina de hielo se deslice sobre los tornillos. Quite el tornillo Phillips (A) si está presente y deséchelo.



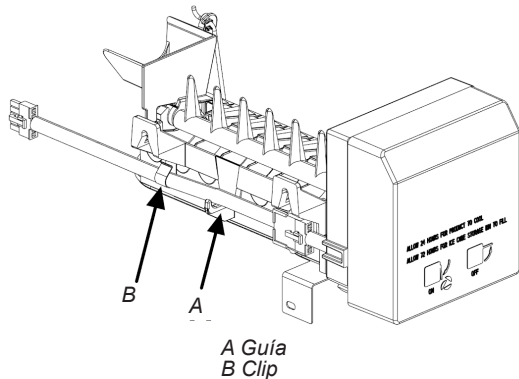
Ubicación de los tornillos

2. Determine cuál de los dos arneses de puente proporcionados se acopla con la carcasa del conector en la parte posterior de su congelador. Una carcasa de 5 pines requiere el puente con el enchufe de 5 pines correspondiente (A). Una carcasa de 4 pines requiere el puente con el enchufe de 4 pines correspondiente (B).



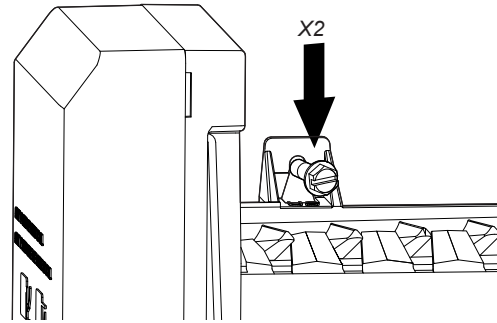
Determinación del puente adecuado

3. Conecte el puente elegido en el paso 2 al arnés de la fábrica de hielo. Confirme que los dedos de bloqueo encajen en su lugar. Pase el puente sobre la guía (A) y a través del clip de alambre (B) en el costado de la fábrica de hielo.



4. Conecte el otro extremo del puente a la carcasa en la parte posterior de su congelador, asegurándose de que los dedos de bloqueo encajen en su lugar.
5. Deslice los ganchos de la máquina de hielo sobre los tornillos.

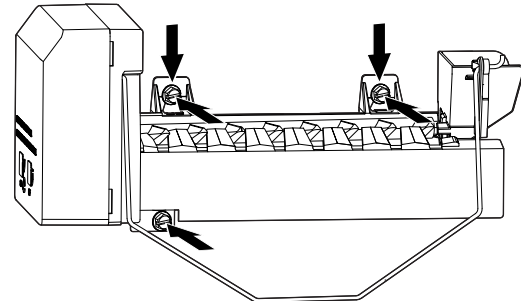
IMPORTANTE: Asegúrese de que la parte superior de cada tornillo toque la parte inferior de la percha de la fábrica de hielo (consulte la ilustración). Esto asegura que la máquina de hielo esté orientada correctamente.



Montaje de la fábrica de hielo en los tornillos superiores

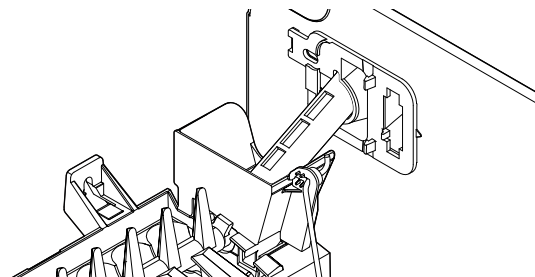
6. Apriete los tornillos de montaje superiores, asegurándose de que las perchas permanezcan alineadas con los tornillos a medida que se aprietan. Inserte el tornillo de montaje restante en la parte inferior de la fábrica de hielo y apriete.

Nota: El tornillo frontal superior está ligeramente más bajo que el tornillo trasero, por lo que la fábrica de hielo debe inclinarse ligeramente para que el agua fluya desde la taza de llenado.



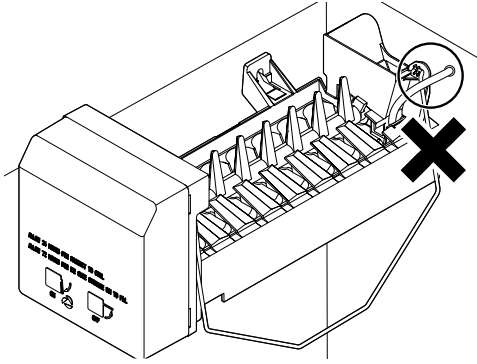
Mantenga las perchas contra los tornillos mientras aprieta

7. Confirme que el tubo de llenado de agua esté alineado con la taza de llenado de la fábrica de hielo. Si es necesario, afloje los tornillos de montaje para alinear correctamente la fábrica de hielo con el tubo de llenado, luego repita los pasos 5-6.



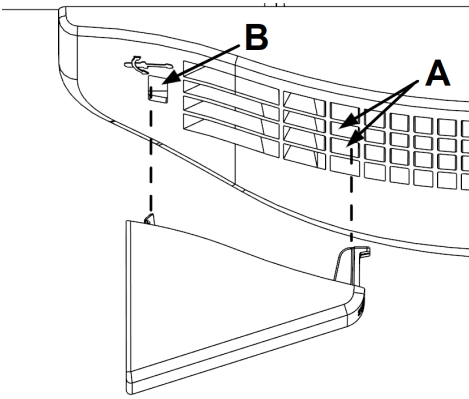
Alinee el tubo de llenado con la copa

8. Dirija el mazo de cables y el puente de la máquina de hielo lejos de las piezas móviles y el tubo de llenado. Confirme que el brazo de sujeción pueda moverse libremente entre las posiciones horizontal y baja.



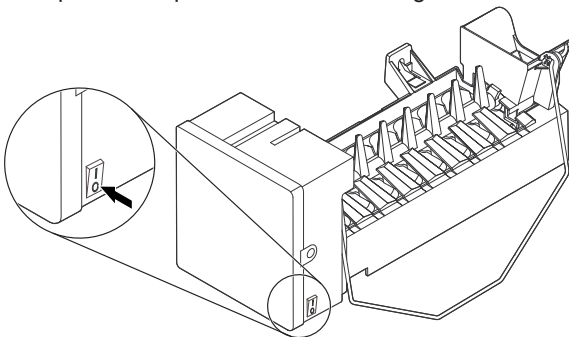
Posición incorrecta del mazo (restricción del brazo de sujeción)

9. Instale el desviador de aire insertando 2 lengüetas en las aberturas (A) de la rejilla de aire del congelador y luego coloque el clip en la ranura (B).



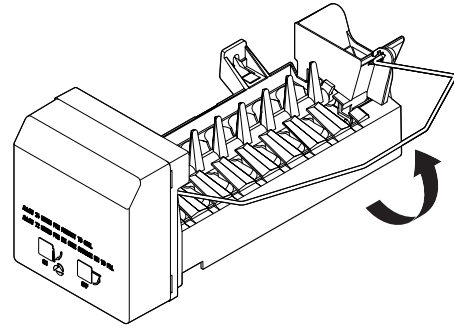
*A Lengüetas
B Clip*

10. Si su fábrica de hielo tiene un interruptor basculante de ON/OFF (ENCENDIDO/APAGADO), gírelo a la posición OFF (O) hasta que se complete la conexión del agua.



Apagado de la fábrica de hielo (interruptor basculante)

11. Si su fábrica de hielo no tiene un interruptor basculante, levante el brazo de corte del alambre a la posición de OFF (APAGADO) (arriba) hasta que se complete la conexión de agua.



Apagado de la fábrica de hielo (brazo de cierre)

Conecte el suministro de agua

Lea todas las instrucciones antes de comenzar.

IMPORTANTE:

- Conecte solamente al suministro de agua potable.

No use con agua que no sea microbiológicamente segura o que sea de calidad desconocida sin desinfectarla adecuadamente antes o después del sistema. Pueden usarse sistemas certificados para la reducción de quistes en aguas desinfectadas que puedan contener quistes filtrables.

- La plomería se debe instalar de acuerdo con el Código internacional de plomería y cualquier norma y ordenanza local.
- Las conexiones de tuberías de cobre y polietileno reticulado (PEX) de la línea de agua doméstica al refrigerador son aceptables y ayudarán a evitar el mal sabor o mal olor en el hielo o el agua. Revise si hay fugas.
- Si se usa tubería de PEX en lugar de cobre, recomendamos los siguientes números de pieza: W10505928RP (7 ft [2,14 m] de PEX revestido), 8212547RP (5 ft [1,52 m] de PEX) o W10267701RP (25 ft [7,62 m] de PEX).
- Instale la tubería solo en áreas donde la temperatura va a permanecer por encima del punto de congelación.

Herramientas necesarias:

Reúna las herramientas y las piezas necesarias antes de comenzar la instalación.

- Destornillador de cabeza plana
- Llaves de extremo abierto de 7/16" y 1/2" o 2 llaves ajustables
- Llave para tuercas de 1/4"

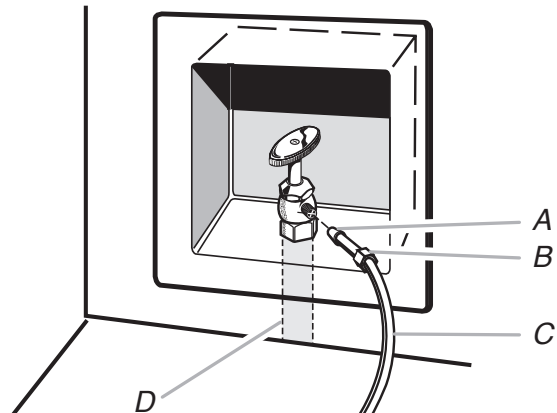
NOTA: No use una válvula perforadora o una válvula de montura de 3/16" (4,76 mm) que reduce el flujo de agua y se obstruye con mayor facilidad.

Cómo conectar a la línea de agua

IMPORTANTE: Si encendió el refrigerador antes de conectar el agua, apague la fábrica de hielo.

1. Desenchufe el refrigerador o desconecte el suministro de energía.
2. Cierre el suministro principal de agua. Encienda el grifo más cercano el tiempo suficiente para reducir la presión de agua en la línea de agua.
3. Use una válvula de cierre de un cuarto de vuelta o una equivalente, abastecida por una línea de suministro doméstica de 1/2".

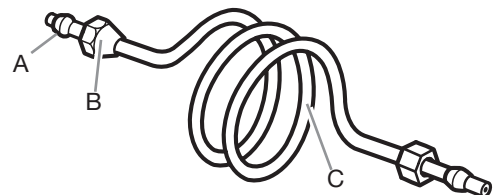
NOTA: Para que el flujo de agua al refrigerador sea suficiente, se recomienda una línea de suministro doméstica de 1/2" (12,7 mm) como mínimo.



A. Manguito
B. Tuerca

C. Tubería de cobre (al refrigerador)
D. Línea de suministro doméstica (1/2" como mínimo)

4. Ahora está listo para conectar la tubería de cobre a la válvula de cierre. Use tubos de cobre de 1/4" (6,35 mm) diámetro externo (DE) para conectar la válvula de cierre y el refrigerador.
5. Asegúrese de tener la longitud adecuada necesaria para el trabajo. Asegúrese de que ambos extremos de la tubería de cobre tengan un corte recto.
6. Deslice el manguito y la tuerca de compresión sobre la tubería de cobre como se muestra. Inserte el extremo de la tubería en el extremo de salida tan recto como sea posible. Atornille la tuerca de compresión al extremo de salida con una llave ajustable. No ajuste demasiado.



A. Manguito de compresión
B. Tuerca de compresión

C. Tubería de cobre

7. Coloque el extremo libre de la tubería en un recipiente o un fregadero, abra el suministro principal de agua y deje correr el agua por la tubería hasta que el agua salga limpia. Cierre la válvula de cierre del tubo de agua.

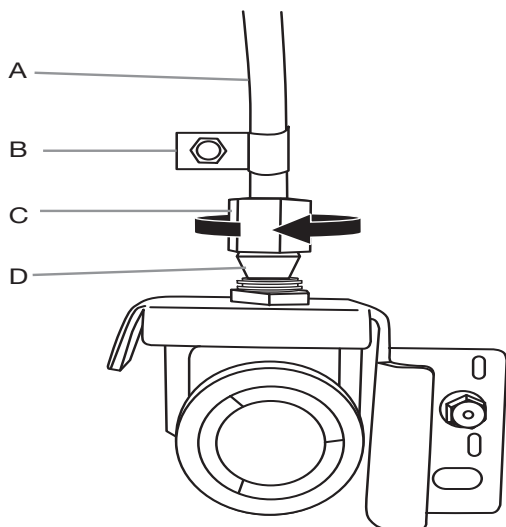
NOTA: Siempre desagüe la línea de agua antes de efectuar la conexión final al orificio de entrada de la válvula de agua para evitar un probable mal funcionamiento de la válvula de agua.

8. Doble la tubería de cobre para que alcance la entrada de la línea de agua, la cual está ubicada en la parte posterior del gabinete del refrigerador, como se muestra. Deje una sección de tubería de cobre enrollada para que el refrigerador se pueda extraer del gabinete o alejar de la pared para realizar trabajos de servicio.

Cómo conectar al refrigerador

Siga las instrucciones de conexión que sean específicas para su modelo.

1. Saque la tapa de plástico del puerto de entrada de la válvula de agua. Fije el tubo de cobre a la entrada de la válvula con una tuerca y un manguito de compresión, como se muestra. Ajuste la tuerca de compresión. No ajuste demasiado. Jale la tubería de cobre para comprobar que esté firme.
2. Haga un lazo de servicio con la tubería de cobre. Evite las torceduras cuando enrolle la tubería de cobre. Asegure la tubería de cobre al panel trasero con una abrazadera "P", con el tornillo original en la ranura del panel sobre la válvula.



A. Tubería de cobre
B. Abrazadera en "P"

C. Tuerca de compresión
D. Manguito de compresión

3. Abra el suministro de agua al refrigerador y revise si hay fugas de agua. Corrija cualquier fuga que encuentre.

Conexión del suministro eléctrico/nivelación de la unidad

⚠ ADVERTENCIA



Peligro de Choque Eléctrico

Conecte a un contacto de pared de conexión a tierra de 3 terminales.

No quite la terminal de conexión a tierra.

No use un adaptador.

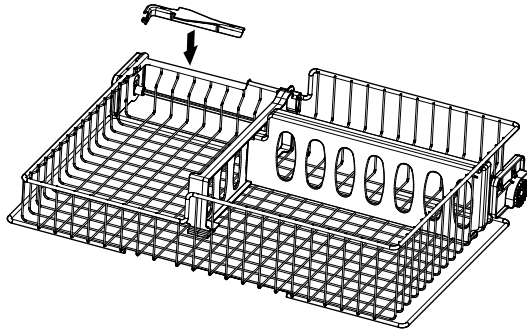
No use un cable eléctrico de extensión.

No seguir estas instrucciones puede ocasionar la muerte, incendio o choque eléctrico.

1. Enchufe el cable en el tomacorriente de CA y empuje el refrigerador hacia atrás, contra la pared.
2. Coloque un nivel encima del gabinete del refrigerador. Si necesita volver a nivelar, siga el procedimiento señalado en la guía del usuario de su refrigerador.

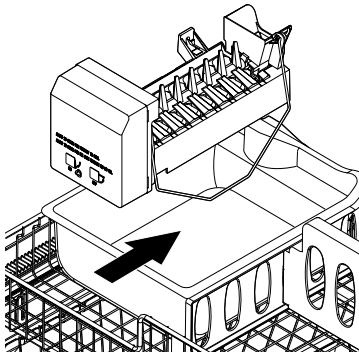
Puesta en marcha de la fábrica de hielo

1. Si la canasta del congelador no tiene ya un elevador del brazo de cierre, instale el que se incluye con el kit en la parte posterior de la canasta.



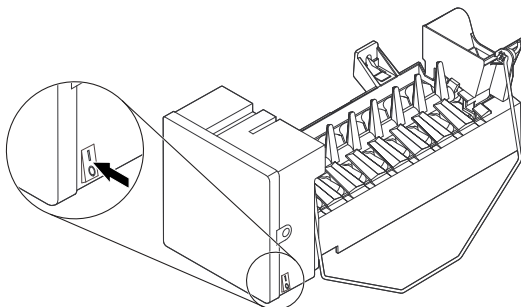
Instalación del elevador del brazo de cierre

2. Vuelva a instalar las cestas en el compartimento del congelador (si es necesario, consulte la Guía del usuario para conocer el procedimiento).
3. Lave la bandeja de hielo, luego colóquela en la canasta superior, directamente debajo de la fábrica de hielo. Deslice la bandeja hacia atrás tanto como sea posible.



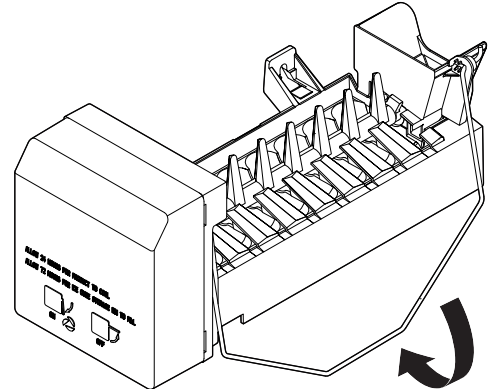
Ubicación de la bandeja de hielos

4. Si la fábrica de hielo tiene un interruptor ON/OFF, coloque el interruptor basculante en la posición ON (I). Cierre la puerta del congelador.



Encendido de la fábrica de hielo (interruptor basculante)

5. Si la fábrica de hielo no tiene un interruptor basculante, baje el brazo de cierre de alambre a la posición ON (hacia abajo) y cierre la puerta del congelador.



Encendido de la fábrica de hielo (brazo de cierre)

NOTA: Por lo general, la fábrica de hielo demora aproximadamente 24 horas para comenzar a producir hielo. Una vez que el hielo esté disponible, notará que no tiene buen sabor. Si esto ocurre, haga dos o tres lotes de hielo y deséchelos. Después de hacerlo, el hielo deberá tener un sabor normal. Si tiene algún problema, consulte la sección “Solución de problemas” en la sección.

Solución de problemas

Notas sobre el funcionamiento

1. La válvula de la fábrica de hielo incluye una arandela de flujo que funciona como regulador de presión para controlar el flujo de agua. Para que la fábrica de hielo funcione bien, la presión del agua de su hogar debe ser entre 20 y 120 libras por pulgada cuadrada (psi). Si la fábrica de hielo presenta problemas para producir hielo, llame a su compañía de agua y solicite que se revise la presión del agua.

Cuadro de solución de problemas

El siguiente cuadro muestra varios problemas comunes que podrían ocurrir con su fábrica de hielo.

PROBLEMA	CAUSA
Se escucha uno o más de los siguientes sonidos: <ul style="list-style-type: none">■ Zumbido■ Agua goteando■ Ruido sordo (traqueteo de hielo)	Está funcionando la válvula de agua. Se está descargando hielo dentro del depósito de hielo.
El hielo no sabe fresco.	El hielo es viejo. Haga un nuevo lote.
El agua en la fábrica de hielo se desborda.	El refrigerador o la fábrica de hielo no están nivelados. Si el agua en la fábrica de hielo sigue desbordándose, cierre el suministro de agua de la fábrica de hielo en la válvula de cierre y coloque el interruptor en la posición de apagado, luego comuníquese con su centro de servicio técnico local.
No hay suficiente hielo.	El balde para hielo demorará 72 horas en llenarse. La fábrica de hielo producirá hielo cada 2 a 3 horas. Para producir más hielo, regule el control del congelador a un ajuste más frío.
Se ha detenido la producción de hielo.	Asegúrese de que la válvula de agua esté abierta. El filtro de la válvula de agua está obstruido (comuníquese con su centro de servicio técnico local)
No fabrica hielo	Asegúrese de que el interruptor basculante esté en la posición ON (I) o que el brazo de cierre de alambre esté en la posición bajada (ON).

NOTES

NOTES

NOTES

NOTES

