



**Dual-Fuel Range w/Griddle  
KRD484GD  
Parts List**

**Hestan Commercial Corporation  
3375 E. La Palma Ave.  
Anaheim, CA 92806  
(888)905-7463**

**RETAIN THIS FOR FUTURE REFERENCE**

6

5

4

3

2

1

D

D

C

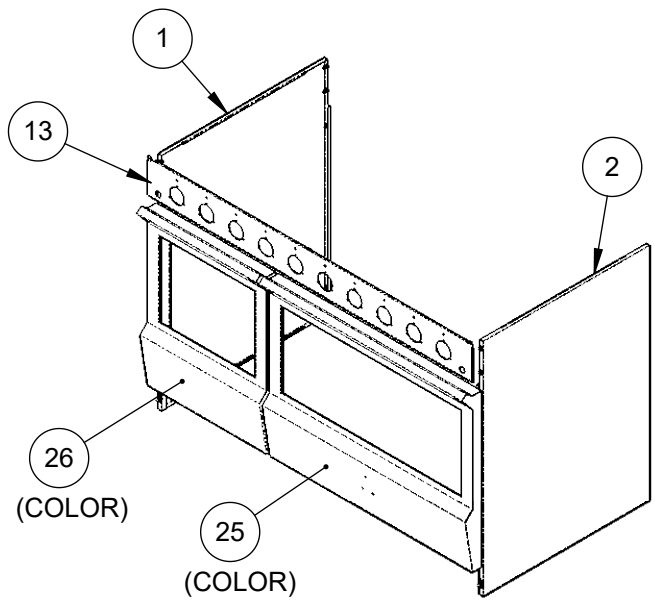
C

B

B

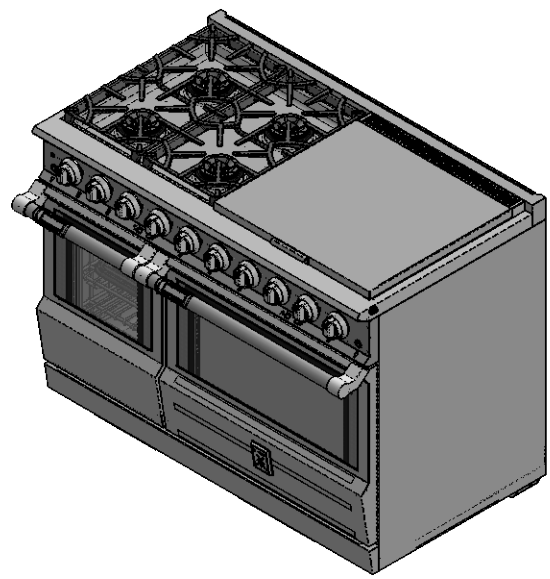
A

A



26  
(COLOR)

25  
(COLOR)



Color Extension (-XX)	Description
	Stainless Steel
-BK	Stealth - Black
-WH	Froth - White
-RD	Matador - Red
-YW	Sol - Yellow
-OR	Citra - Orange
-BG	Tin Roof - Burgundy
-PP	Lush - Purple
-BU	Prince - Blue
-GR	Grove - Green
-GG	Pacific Fog - Graphite Gray
-TQ	Bora Bora - Turquoise

SEE SHEET 3 FOR PARTS LIST



PROPRIETARY  
NO PART OF THIS DOCUMENT MAY BE REPRODUCED,  
STORED IN A RETRIEVAL SYSTEM, OR TRANSMITTED IN  
ANY FORM, WITHOUT THE WRITTEN PERMISSION OF  
Hestan Commercial Corporation. THIS DOCUMENT OR ANY  
COPIES SHALL BE RETURNED UPON WRITTEN REQUEST.

DESCRIPTION  
**SERVICE - RANGE, 4-BURNER, DUAL-FUEL,  
48"**

DRAWING NO  
**KRD484GD-SERVICE**

REVISION  
**F**  
SHEET NO.  
1 OF 18

6

5

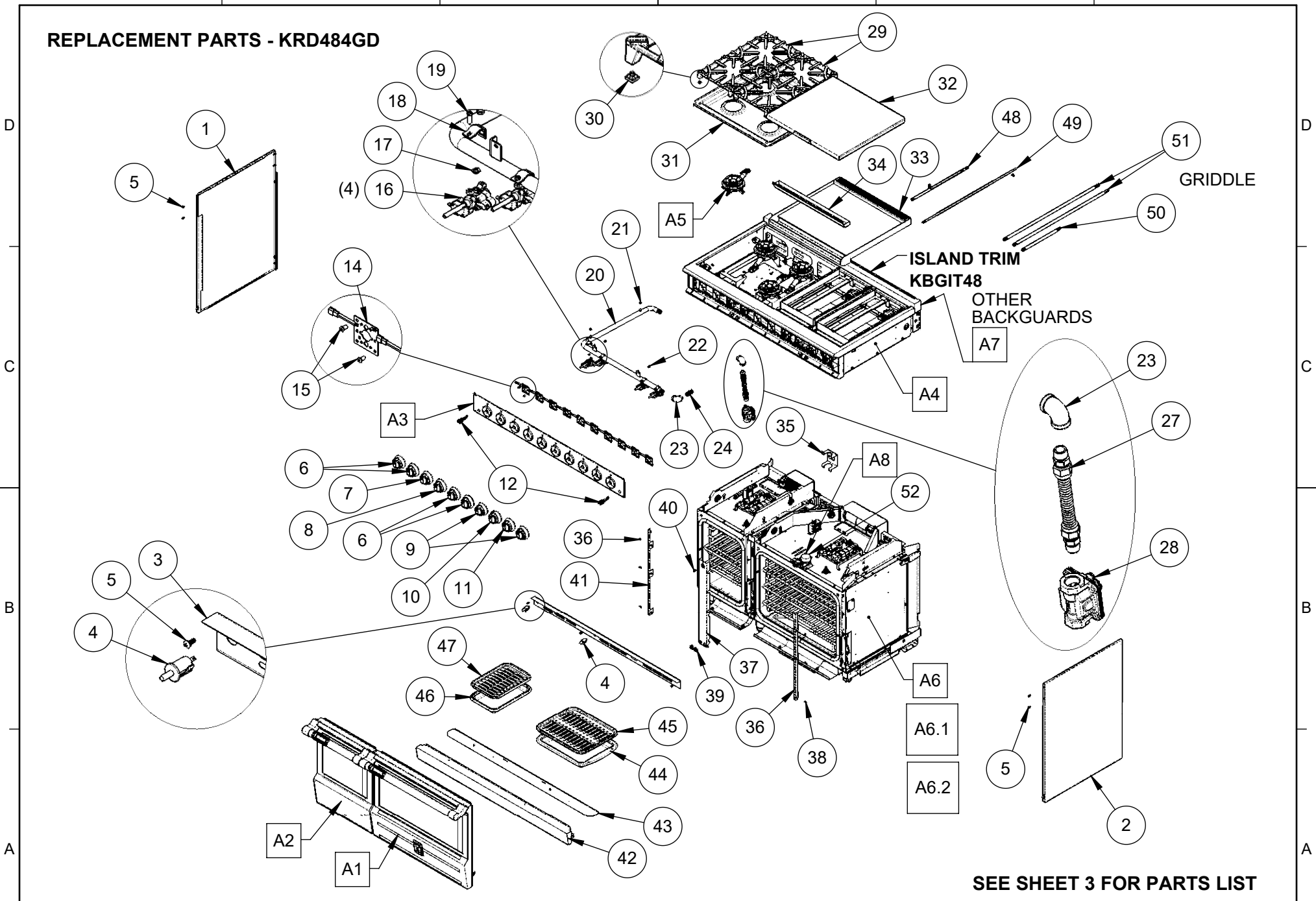
4

3

2

1

**REPLACEMENT PARTS - KRD484GD**



SEE SHEET 3 FOR PARTS LIST



PROPRIETARY  
NO PART OF THIS DOCUMENT MAY BE REPRODUCED,  
STORED IN A RETRIEVAL SYSTEM, OR TRANSMITTED IN  
ANY FORM, WITHOUT THE WRITTEN PERMISSION OF  
Hestan Commercial Corporation. THIS DOCUMENT OR ANY  
COPIES SHALL BE RETURNED UPON WRITTEN REQUEST.

DESCRIPTION  
**SERVICE - RANGE, 4-BURNER, DUAL-FUEL,  
48"**

DRAWING NO  
**KRD484GD-SERVICE**

REVISION  
**F**  
SHEET NO.  
2 OF 18

6

5

4

3

2

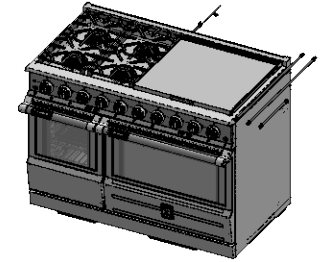
1

D

D


**HESTAN**

All warranty and non-warranty repairs should be performed by qualified service personnel. To locate an authorized service agent, contact your Hestan dealer, local representative, or the manufacturer. Before you call, please have the model number and serial number information ready.  
Hestan Commercial Corp.  
(888) 905-7463



C

C

B

B

A

A

ITEM	PART NUMBER	DESCRIPTION	QTY.
1	017663	ASSY, PANEL, SIDE, LEFT, 36" RANGE	1
2	017664	ASSY, PANEL, SIDE, RIGHT, 36" RANGE	1
3	024433	GRILL, FRONT, RANGETOP, 48"	1
4	018023	SWITCH, PLUNGER, N.O., OVEN DOOR	2
5	010242	SERVICE, SMS, #10-24 X 1/2, PH, PAN, TYPE F, SS, PKG 10	1
6	018170	KNOB ASSEMBLY, MAIN BURNER, RESIDENTIAL INDOOR	4
7	027428	KNOB ASSEMBLY, OVEN FUNCTION, 18, RESIDENTIAL INDOOR	1
8	027427	KNOB ASSEMBLY, OVEN TEMP, NON SC, RESIDENTIAL INDOOR	1
9	027474	KNOB ASSEMBLY, GRIDDLE TEMP, GAS, RESIDENTIAL INDOOR	1
10	018379	KNOB ASSEMBLY, OVEN FUNCTION, RESIDENTIAL INDOOR	1
11	018380	KNOB ASSEMBLY, OVEN TEMP, RESIDENTIAL INDOOR	1
12	020971	SWITCH, PUSHBUTTON, 19mm, SPST, 5A, 250VAC	2
13	034225	SERVICE, ASSY, CONTROL PANEL INSERT, 48" RANGE	1
14	017612	LED MODULE, KNOB LIGHTING	10
15	011857	SERVICE, MS, 8-32 X .375, PH, PAN, SS, PKG 6	1
16	031680	VALVE, DUAL FLOW, RESIDENTIAL INDOOR - NG	4
16	031681	VALVE, DUAL FLOW, RESIDENTIAL INDOOR - LP	4
17	024444	SERVICE, GASKET, VALVE, SADDLE MOUNT, PKG 6	1
18	018077	CLAMP, GAS VALVE, RESIDENTIAL INDOOR	4
19	024259	SERVICE, MS, M5 X 0.8 X 18, HEXHD, SS, PKG 5	1
20	026078	MANIFOLD, INDOOR, 484 RANGE	1
21	011715	SERVICE, NUT, KEPS, 1/4-20, ZN, PKG 4	1
22	024260	SERVICE, MS, 10-24 X 1/2, HEX HD W/ LOCK WASHER, ZN, PKG 10	1
23	009279	ELBOW, 1/2 NPT	2
24	002934	ADAPTER, STRAIGHT, 1/2 NPT X 3/8" CC	1
25	033666-XX	SERVICE, ASSY, DOOR SKIN, LARGE OVEN, 48" RANGE	1
26	034224-XX	SERVICE, ASSY, DOOR SKIN, SMALL OVEN, 48" GAS RANGE	1

27	024755	HOSE, FLEX, 5/8OD X 1/2MIP X 1/2MIP, 8"	1
28	018882	REGULATOR, STRAIGHT-THRU, 1/2"NPT, CONVERTIBLE, DD-RV48 (5"/10"w.c.)	1
	021649	REGULATOR, STRAIGHT-THRU, 1/2"NPT, CONVERTIBLE, DD-RV48, 5/10, CONVERTED TO LP	1
29	018251	GRATE ASSEMBLY, DUAL, RESIDENTIAL INDOOR	2
30	025945	SERVICE, GRATE, FOOTPAD, PKG 4	1
31	018180	DRIP PAN, 244 RANGETOP	1
32	027993	COVER, GRIDDLE, ASSY, RESIDENTIAL INDOOR - 24	1
33	018754	GRIDDLE PLATE, RESIDENTIAL INDOOR, WA - 24	1
34	027017-BK	GREASE TRAY, GRIDDLE, 24, RESIDENTIAL INDOOR, TEFLON COATED	1
35	029706	BRACKET, REGULATOR, RANGES	1
36	022772	TRIM, SIDE, RH, 48" RANGE	1
37	024413	JOINER, FRONT, 48" RANGE	1
38	024256	SERVICE, SMS, #8 X 1/2, PH, ROUND, BLK-OXIDE, SS, PKG 4	1
39	024484	SNAP BUSHING, .50 MAX ID, BLACK	2
40	024263	RECESS, TOP, SINK, ARAMARK	1
41	023369	TRIM, SIDE, LH, 48" RANGE	1
42	034205	SERVICE, PANEL, KICK, 48" RANGE	1
43	022803	BRACKET, SUPPORT, KICK PANEL, 48" RANGE	1
44	007648	PAN, DRIP, ACCESSORY, GRILL	1
45	019010	INSERT, BROILER PAN, INDOOR RANGE	1
46	026877	PAN, BROILER, SMALL, INDOOR	1
47	026879	INSERT, PAN, BROILER, SMALL, INDOOR	1
48	021578-1	HOSE KIT, DUAL FLOW, RESIDENTIAL INDOOR - FRONT	2
49	021578-2	HOSE KIT, DUAL FLOW, RESIDENTIAL INDOOR - REAR	2
50	035090-012	SERVICE, HOSE, FLEX, 3/8 OD, F-M, NUT/FERRULE TO LOXIT - 12"	1
51	035090-030	SERVICE, HOSE, FLEX, 3/8 OD, F-M, NUT/FERRULE TO LOXIT - 30"	2
52	048875	SERVICE, KIT, DOOR LATCH REPLACEMENT, INDOOR RANGE	1

**SEE SHEET 1 FOR ITEMS 13, 25 & 26**


**HESTAN**

PROPRIETARY  
NO PART OF THIS DOCUMENT MAY BE REPRODUCED,  
STORED IN A RETRIEVAL SYSTEM, OR TRANSMITTED IN  
ANY FORM, WITHOUT THE WRITTEN PERMISSION OF  
Hestan Commercial Corporation. THIS DOCUMENT OR ANY  
COPIES SHALL BE RETURNED UPON WRITTEN REQUEST.

DESCRIPTION

**SERVICE - RANGE, 4-BURNER, DUAL-FUEL,  
48"**

DRAWING NO

**KRD484GD-SERVICE**

REVISION

**F**

SHEET NO.

3 OF 18

6

5

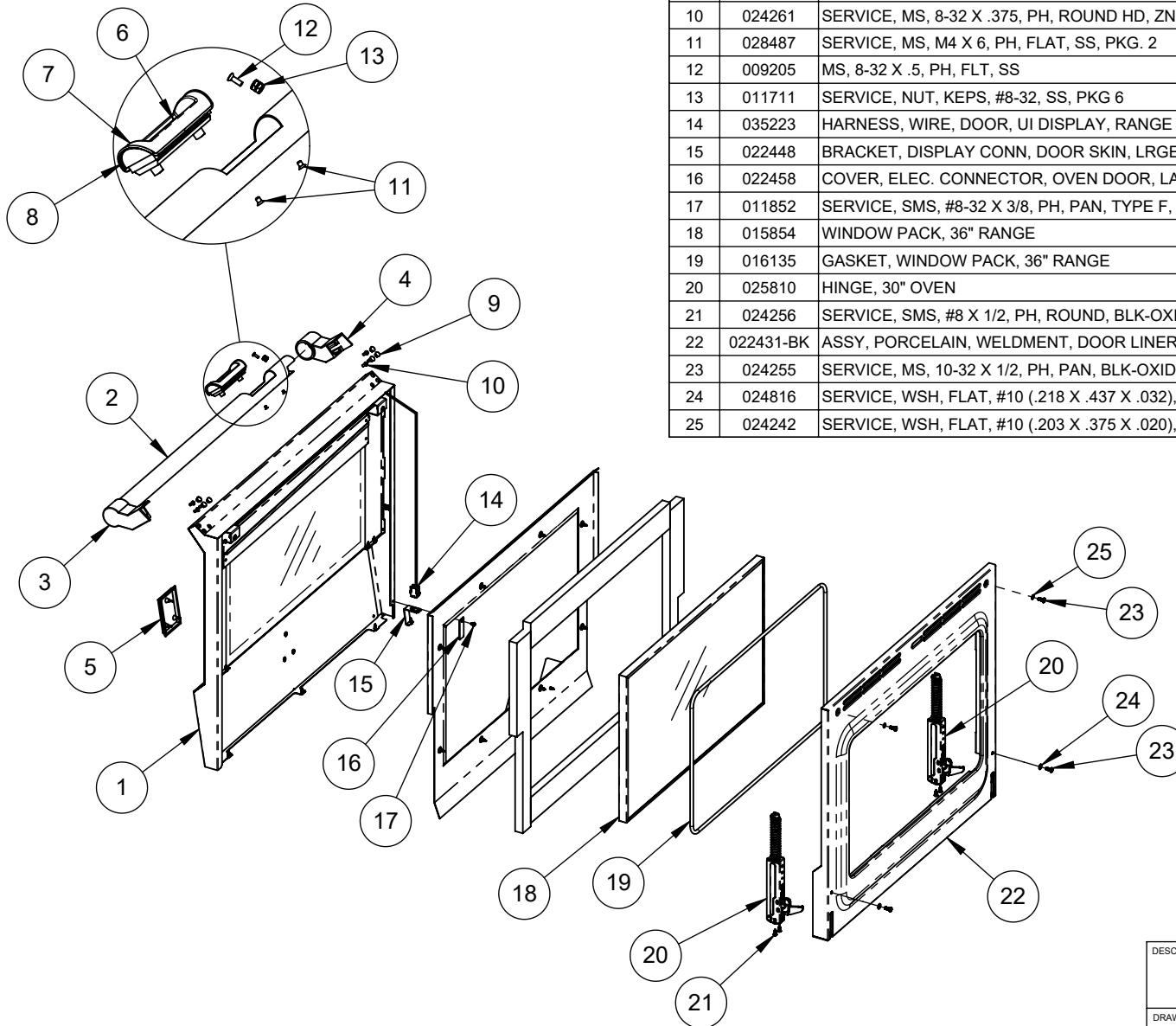
4

3

2

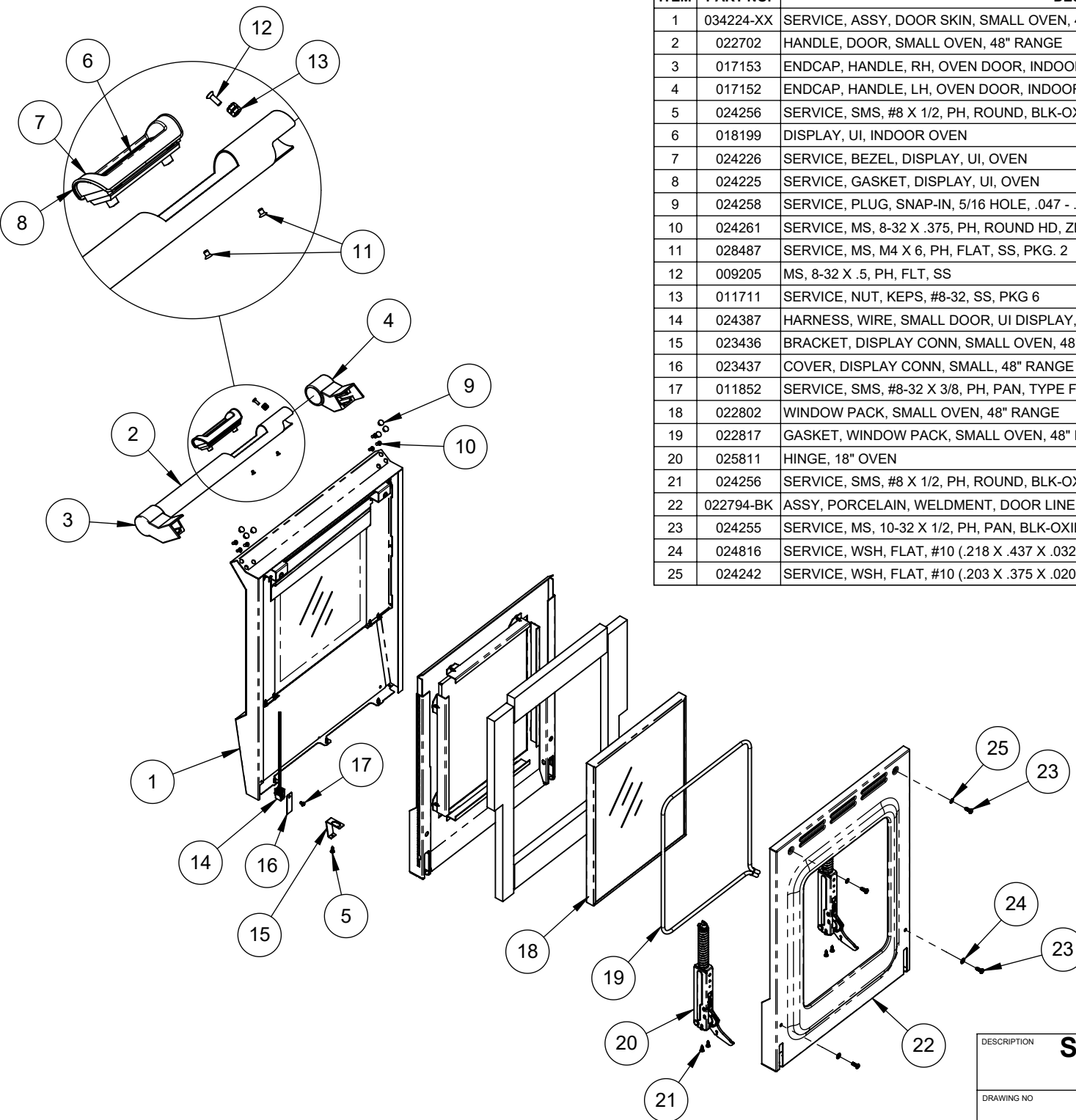
1

ITEM	PART NO.	DESCRIPTION	QTY.
1	033666-XX	SERVICE, ASSY, DOOR SKIN, LARGE OVEN, 48" RANGE	1
2	022450	HANDLE, DOOR, OVEN, LARGE, 48" RANGE	1
3	017153	ENDCAP, HANDLE, RH, OVEN DOOR, INDOOR	1
4	017152	ENDCAP, HANDLE, LH, OVEN DOOR, INDOOR	1
5	024252	SERVICE, LARGE HESTAN LOGO W/ RETAINING RINGS	1
6	018199	DISPLAY, UI, INDOOR OVEN	1
7	024226	SERVICE, BEZEL, DISPLAY, UI, OVEN	1
8	024225	SERVICE, GASKET, DISPLAY, UI, OVEN	1
9	024258	SERVICE, PLUG, SNAP-IN, 5/16 HOLE, .047 - .078 PANEL THK, STEEL, NICKEL PLATED, PKG 4	1
10	024261	SERVICE, MS, 8-32 X .375, PH, ROUND HD, ZN, PKG 6	1
11	028487	SERVICE, MS, M4 X 6, PH, FLAT, SS, PKG. 2	1
12	009205	MS, 8-32 X .5, PH, FLT, SS	1
13	011711	SERVICE, NUT, KEPS, #8-32, SS, PKG 6	1
14	035223	HARNES, WIRE, DOOR, UI DISPLAY, RANGE (VW-1/FT1)	1
15	022448	BRACKET, DISPLAY CONN, DOOR SKIN, LRGE OVEN, 48" RANGE	1
16	022458	COVER, ELEC. CONNECTOR, OVEN DOOR, LARGE, 48" RANGE	1
17	011852	SERVICE, SMS, #8-32 X 3/8, PH, PAN, TYPE F, SS, PKG 4	1
18	015854	WINDOW PACK, 36" RANGE	1
19	016135	GASKET, WINDOW PACK, 36" RANGE	1
20	025810	HINGE, 30" OVEN	2
21	024256	SERVICE, SMS, #8 X 1/2, PH, ROUND, BLK-OXIDE, SS, PKG 4	1
22	022431-BK	ASSY, PORCELAIN, WELDMNT, DOOR LINER, LARGE OVEN, 48" RANGE, BLACK	1
23	024255	SERVICE, MS, 10-32 X 1/2, PH, PAN, BLK-OXIDE, SS, PKG. 4	1
24	024816	SERVICE, WSH, FLAT, #10 (.218 X .437 X .032), BLK-OXIDE, 18-8 SS, PKG 2	1
25	024242	SERVICE, WSH, FLAT, #10 (.203 X .375 X .020), BLK-OXIDE, 18-8 SS, PKG 6	1



**HESTAN**

DESCRIPTION **SERVICE, DOOR ASSEMBLY, DF RANGE, 30"**  
DRAWING NO **A1**



ITEM	PART NO.	DESCRIPTION	QTY.
1	034224-XX	SERVICE, ASSY, DOOR SKIN, SMALL OVEN, 48" GAS RANGE	1
2	022702	HANDLE, DOOR, SMALL OVEN, 48" RANGE	1
3	017153	ENDCAP, HANDLE, RH, OVEN DOOR, INDOOR	1
4	017152	ENDCAP, HANDLE, LH, OVEN DOOR, INDOOR	1
5	024256	SERVICE, SMS, #8 X 1/2, PH, ROUND, BLK-OXIDE, SS, PKG 4	1
6	018199	DISPLAY, UI, INDOOR OVEN	1
7	024226	SERVICE, BEZEL, DISPLAY, UI, OVEN	1
8	024225	SERVICE, GASKET, DISPLAY, UI, OVEN	1
9	024258	SERVICE, PLUG, SNAP-IN, 5/16 HOLE, .047 - .078 PANEL THK, STEEL, NICKEL PLATED, PKG 4	1
10	024261	SERVICE, MS, 8-32 X .375, PH, ROUND HD, ZN, PKG 6	1
11	028487	SERVICE, MS, M4 X 6, PH, FLAT, SS, PKG. 2	1
12	009205	MS, 8-32 X .5, PH, FLT, SS	1
13	011711	SERVICE, NUT, KEPS, #8-32, SS, PKG 6	1
14	024387	HARNES, WIRE, SMALL DOOR, UI DISPLAY, 48" RANGE (VW-1/FT1)	1
15	023436	BRACKET, DISPLAY CONN, SMALL OVEN, 48" RANGE	1
16	023437	COVER, DISPLAY CONN, SMALL, 48" RANGE	1
17	011852	SERVICE, SMS, #8-32 X 3/8, PH, PAN, TYPE F, SS, PKG 4	1
18	022802	WINDOW PACK, SMALL OVEN, 48" RANGE	1
19	022817	GASKET, WINDOW PACK, SMALL OVEN, 48" RANGE	1
20	025811	HINGE, 18" OVEN	2
21	024256	SERVICE, SMS, #8 X 1/2, PH, ROUND, BLK-OXIDE, SS, PKG 4	1
22	022794-BK	ASSY, PORCELAIN, WELDMENT, DOOR LINER, SMALL OVEN, 48" RANGE, BLACK	1
23	024255	SERVICE, MS, 10-32 X 1/2, PH, PAN, BLK-OXIDE, SS, PKG. 4	1
24	024816	SERVICE, WSH, FLAT, #10 (.218 X .437 X .032), BLK-OXIDE, 18-8 SS, PKG 2	1
25	024242	SERVICE, WSH, FLAT, #10 (.203 X .375 X .020), BLK-OXIDE, 18-8 SS, PKG 6	1

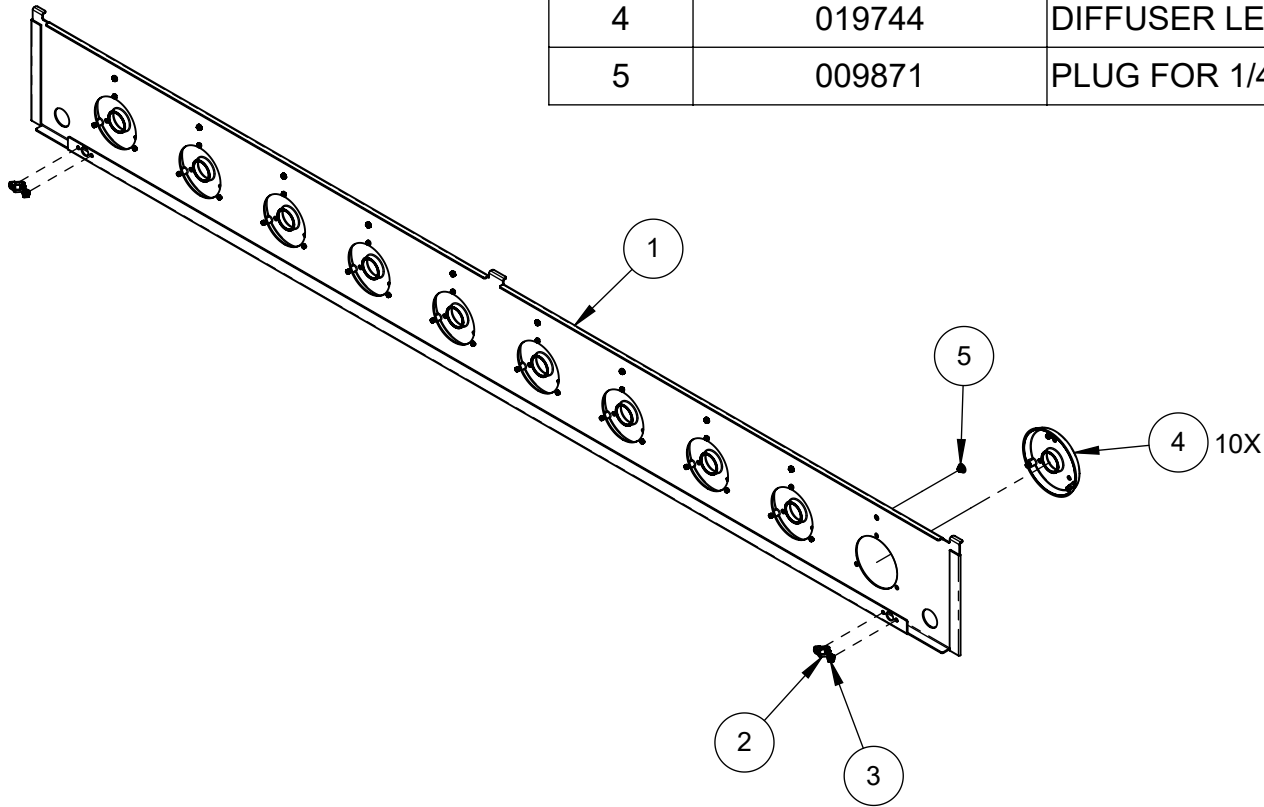


**SERVICE, DOOR ASSEMBLY,  
DF RANGE, 18"**

DESCRIPTION  
DRAWING NO

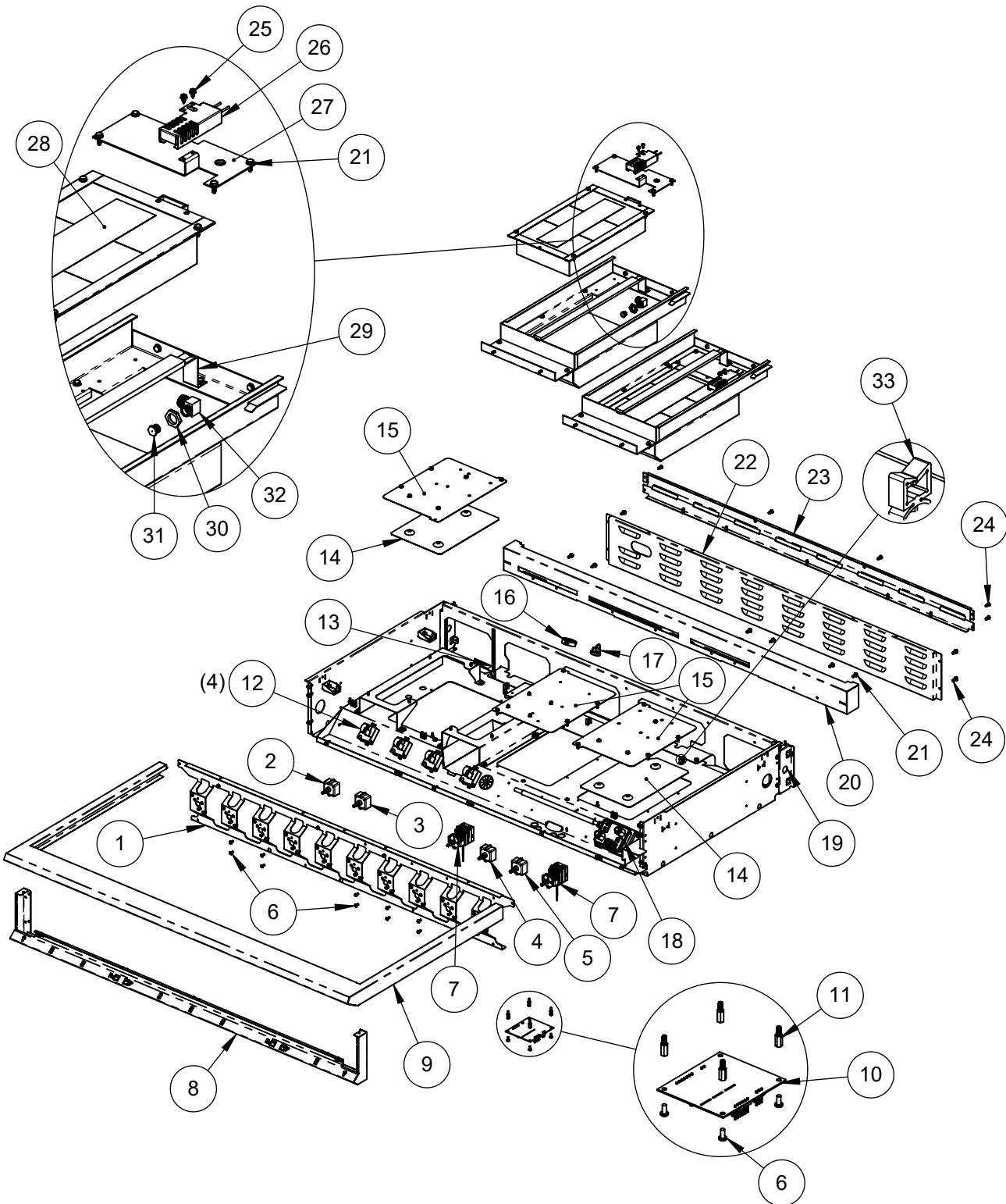
**A2**

ITEM NO.	PART NUMBER	DESCRIPTION	QTY
1	022935	INSERT, CONTROL PANEL, 48 RANGE	1
2	000852	RECEPTACLE, BALL STUD, 18LB PULL, ZN, C1663-028-3B	2
3	003110	POP RIVET, 1/8DIA X .275L, SS	4
4	019744	DIFFUSER LENS, PRESS FIT	10
5	009871	PLUG FOR 1/4-20 SHCS, CHROME	10



**HESTAN**

DESCRIPTION	<b>SERVICE, ASSY, CONTROL PANEL INSERT, 48" RANGE</b>
DRAWING NO	<b>A3</b>



ITEM	PART NO.	DESCRIPTION	QTY.
1	023359	CROSSMEMBER, FRONT, FRAME, RANGETOP - 48	1
2	024399	SELECTOR, 8 POSITION, RESIDENTIAL INDOOR	1
3	024398	SELECTOR, 2 POSITION, RESIDENTIAL INDOOR	1
4	018073	SELECTOR, 10 POSITION, RESIDENTIAL INDOOR	1
5	018072	SELECTOR, 3 POSITION, RESIDENTIAL INDOOR	1
6	011857	SERVICE, MS, 8-32 X .375, PH, PAN, SS, PKG 6	1
7	019530-S	SERVICE, THERMOSTAT ASSEMBLY, GRIDDLE, RESIDENTIAL INDOOR	2
8	019468-2	CONTROL PANEL, CHIN, ASSY - 485GD RANGE	1
9	019464	BULLNOSE, RANGETOP, WA - 48	1
10	019678	LED DRIVER / ISOLATOR BOARD	1
11	024507	SERVICE, STANDOFF, MALE-FEMALE, 1/2"L, #8-32, PKG. 4	1
12	032028	MODULE, RE-IGNITER, SINGLE POINT, RI 120F-1, 120V, 3mA	4
13	024522	HARNESS, WIRE, RANGETOP/RANGE, 484GD (VW-1/FT1)	1
14	020821	HEAT SHIELD, LEFT, INDOOR OVEN	2
15	019412	COVER, OVEN ACCESS, RANGETOP	3
16	018393	SNAP BUSHING, 1.06" MAX ID, BLACK	1
17	005862	STRAIN RELIEF, SNAP-IN, 3/4" KNOCKOUT	1
18	028057	GAS ASSY, GRIDDLE, 24	1
19	032936	BRACKET, MOUNTING, RISER, REAR ACCESS, RANGETOP	2
20	033019	RISER, ISLAND, INNER SIDE MOUNT, RESIDENTIAL INDOOR - 48	1
21	024263	SERVICE, SMS, #10-24 X .50, HEXWSH, TYPE F, SS, PKG 10	1
22	019734	REAR COVER, 48" RANGETOP	1
23	019728	COVER, RISER, ISLAND, RESIDENTIAL INDOOR - 48	1
24	010242	SERVICE, SMS, #10-24 X 1/2, PH, PAN, TYPE F, SS, PKG 10	1
25	032596	SERVICE, SMS, #8 X 3/8, SLOT, HEXWSH, SS, PKG 6	1
26	025100	IGNITER, HOT SURFACE, 3.2 TO 3.6 AMP	2
27	026849	COVER, TRAY, BURNER, INDOOR RESIDENTIAL	2
28	026719	BURNER, INFRARED, GRIDDLE, RESIDENTIAL INDOOR	2
29	027496	FRONT, FIREBOX, GRIDDLE, WA	2
30	008280	NUT, PANEL, 3/8" NPS	2
31	002865-050	ORIFICE, SPUD - #50 NG	2
	002865-056	ORIFICE, SPUD - #56 LP	2
32	002513	ELBOW, ORIFICE, IR BURNER	2
33	033830	SERVICE, CABLE HOLDER, PUSH IN, 3/8" DIAMETER, PKG. 6	1



DESCRIPTION **SERVICE, TOP ASSY, DUAL-FUEL RANGE, 484GD**

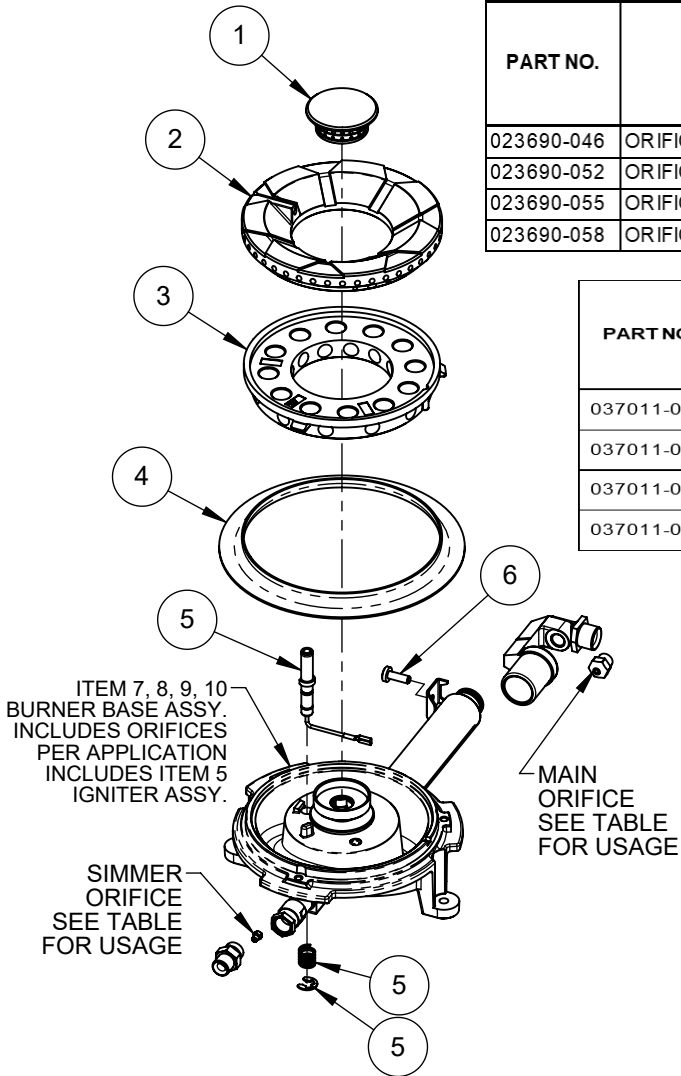
DRAWING NO **A4**



PART NO.	SIMMER ORIFICES	Z (IN)	Z (MM)	STAMP	COLOR CODE	15.5k Dual Flow BURNER		23k Dual Flow BURNER	
						NG	LP	NG	LP
023698-073	ORIFICE, SIMMER, DUAL FLOW BURNER, INDOOR, #73	0.024	0.61	V	BLACK	X		X	
023698-078	ORIFICE, SIMMER, DUAL FLOW BURNER, INDOOR, #78	0.016	0.41	T	RED		X		X

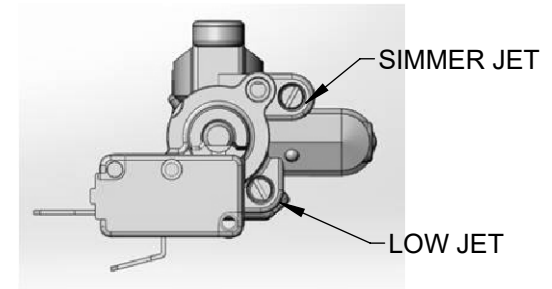
PART NO.	MAIN ORIFICES	Z (IN)	Z (MM)	STAMP	COLOR CODE	15.5k Dual Flow BURNER		23k Dual Flow BURNER	
						NG	LP	NG	LP
023690-046	ORIFICE, MAIN, DUAL FLOW BURNER, INDOOR, #46	0.081	2.05	-	YELLOW, BLACK			X	
023690-052	ORIFICE, MAIN, DUAL FLOW BURNER, INDOOR, #52	0.064	1.60	-	WHITE, BLACK	X			
023690-055	ORIFICE, MAIN, DUAL FLOW BURNER, INDOOR, #55	0.052	1.32	-	YELLOW, RED				X
023690-058	ORIFICE, MAIN, DUAL FLOW BURNER, INDOOR, #58	0.042	1.07	-	WHITE, RED		X		

PART NO.	VALVE ORIFICES (JETS)	Z (IN)	Z (MM)	COLOR CODE (COPRECI)	COLOR CODE (ISPHORDING)	Dual Flow VALVE Low Orifice		Dual Flow VALVE Simmer Orifice	
						NG	LP	NG	LP
037011-065	KIT, ORIFICE, VALVE, INDOOR, #65	0.035	0.88	-	BLACK	X			
037011-073	KIT, ORIFICE, VALVE, INDOOR, #73	0.024	0.61	-	RED		X		
037011-080	KIT, ORIFICE, VALVE, INDOOR, #80	0.0135	0.34	-	YELLOW			X	
037011-087	KIT, ORIFICE, VALVE, INDOOR, #87	0.010	0.25	-	WHITE				X



**DUAL BURNER ASSY.**

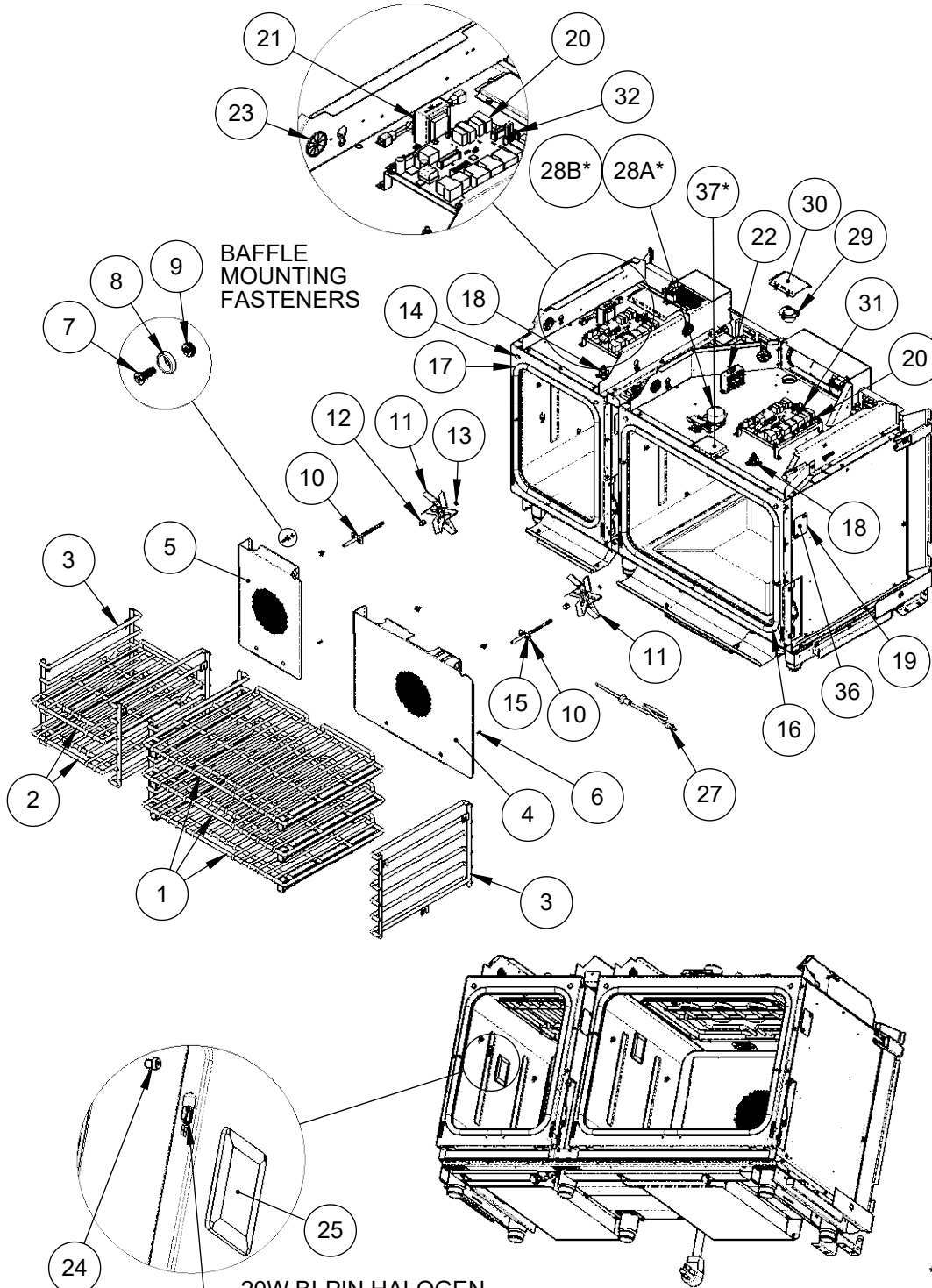
ITEM NO.	PART NO.	DESCRIPTION	QTY.
1	018436	D-INNER BURNER HEAD, DUAL FLOW, RESIDENTIAL INDOOR	1
2	018419	D-DUAL BURNER HEAD, DUAL FLOW, RESIDENTIAL INDOOR	1
3	018418	D-CROSS RING, DUAL FLOW, RESIDENTIAL INDOOR	1
4	018421	D-BEAUTY RING, DUAL FLOW, RESIDENTIAL INDOOR	1
5	024189	SERVICE, IGNITOR KIT, DUAL FLOW BURNER	1
6	024244	SERVICE, MS, M4 X 12, SEALED BURNER, PKG 4	1
7	020399	BURNER BASE ASSY, DUAL FLOW, 23K - NG	2
8	020401	BURNER BASE ASSY, DUAL FLOW, 23K - LP	2
9	020400	BURNER BASE ASSY, DUAL FLOW, 15.5K - NG	2
10	020402	BURNER BASE ASSY, DUAL FLOW, 15.5K - LP	2



 **HESTAN**  
**SERVICE, DUAL FLOW BURNER ASSY.**  
**A5**

DESCRIPTION

DRAWING NO



BAFFLE MOUNTING FASTENERS

20W BI-PIN HALOGEN BULB AVAILABLE AT LOCAL HOME CENTER OR HARDWARE STORE



ITEM	PART NO.	DESCRIPTION	QTY
1	023544	RACK, WITH SLIDES, INDOOR OVEN, 30"	3
2	023847	RACK, INDOOR OVEN, 18"	2
3	018230	RACK, LADDER, LH & RH, RANGE, W/A	4
4	023862-BK	BAFFLE, CONVECTION, PORCELAINED, LARGE OVEN, 48" RANGE	1
5	022565-BK	BAFFLE, CONVECTION, PORCELAINED, SMALL OVEN, 48" RANGE	1
6	011852	SERVICE, SMS, #8-32 X 3/8, PH, PAN, TYPE F, SS, PKG 4	1
7	021173	SMS, #8-32 X 1/2, FLT, PH, TYPE F, SS	4
8	021171	WSH, C'SUNK, #8, SS	4
9	021172	WSH, FLAT, #8 (.169 X .304 X .032), SS	16
10	018092	RTD PROBE, W/FLANGE, AMP CONNECTOR	2
11	017917	BLADE, CONV FAN, 152mm	2
12	017918	NUT, HEX, 1/4-28, CONV. FAN, RANGE	2
13	018860	WASHER, FLAT, M6	2
14	017444	SERVICE, BUMPER, RUBBER, .50 DIAM. X .156 H, PKG 4	1
15	024256	SERVICE, SMS, #8 X 1/2, PH, ROUND, BLK-OXIDE, SS, PKG 4	1
16	023845	GASKET ASSY, CELL, OVEN, LARGE OVEN, 48" RANGE	1
17	023332	GASKET ASSY, SMALL OVEN, 48" RANGE	1
18	018024	SWITCH, HI-LIMIT	2
19	018864	ACCESS PANEL, MEAT PROBE, 36" RANGE	2
20	016513	RELAY BOARD, ELAN, EOC-U	2
21	025777	TRANSFORMER, 20VA, 120V TO 12V, CLASS 2	1
22	032239	TRANSFORMER, 40VA, 120VAC TO 12/24V, CLASS 2	1
23	018393	SNAP BUSHING, 1.06" MAX ID, BLACK	4
24	017446	SERVICE, SB, #8-32 X 3/16 DIA X 1/4L, SS, PKG 2	1
25	024352	SERVICE, LENS, LAMP, HALOGEN, 12V 20W, 65 X 80 mm	1
26	018142	SERVICE, BULB, HALOGEN, G4 BI-PIN, 20W, PKG 2	1
27	018533	PROBE, MEAT	1
28A*	021174	LATCH, DOOR	1
28B*	044954	LATCH, DOOR, NEO	1
29	018854	DUCT, SMOKE ELIMINATOR, WA	1
30	018234	DUCT, SMOKE ELIMINATOR	1
31	020720-02	MODEL HEADER, EOCU BOARD, 30" OVEN	1
32	020720-03	MODEL HEADER, EOCU BOARD, 18" OVEN	1
33**	024515	HARNESS, WIRE, OVEN TO RANGETOP, 48 INCH RANGE	1
34**	024605	HARNESS, WIRE, MAIN, DF RANGE, 48X/484GD/485GD	1
35**	035224	HARNESS, WIRE, OVEN, UI DISPLAY, RANGE (VW-1/FT1)	2
36	018425	SOCKET, MEAT PROBE	1
37*	044956	BRACKET, NEO DOOR LATCH MOUNTING	1

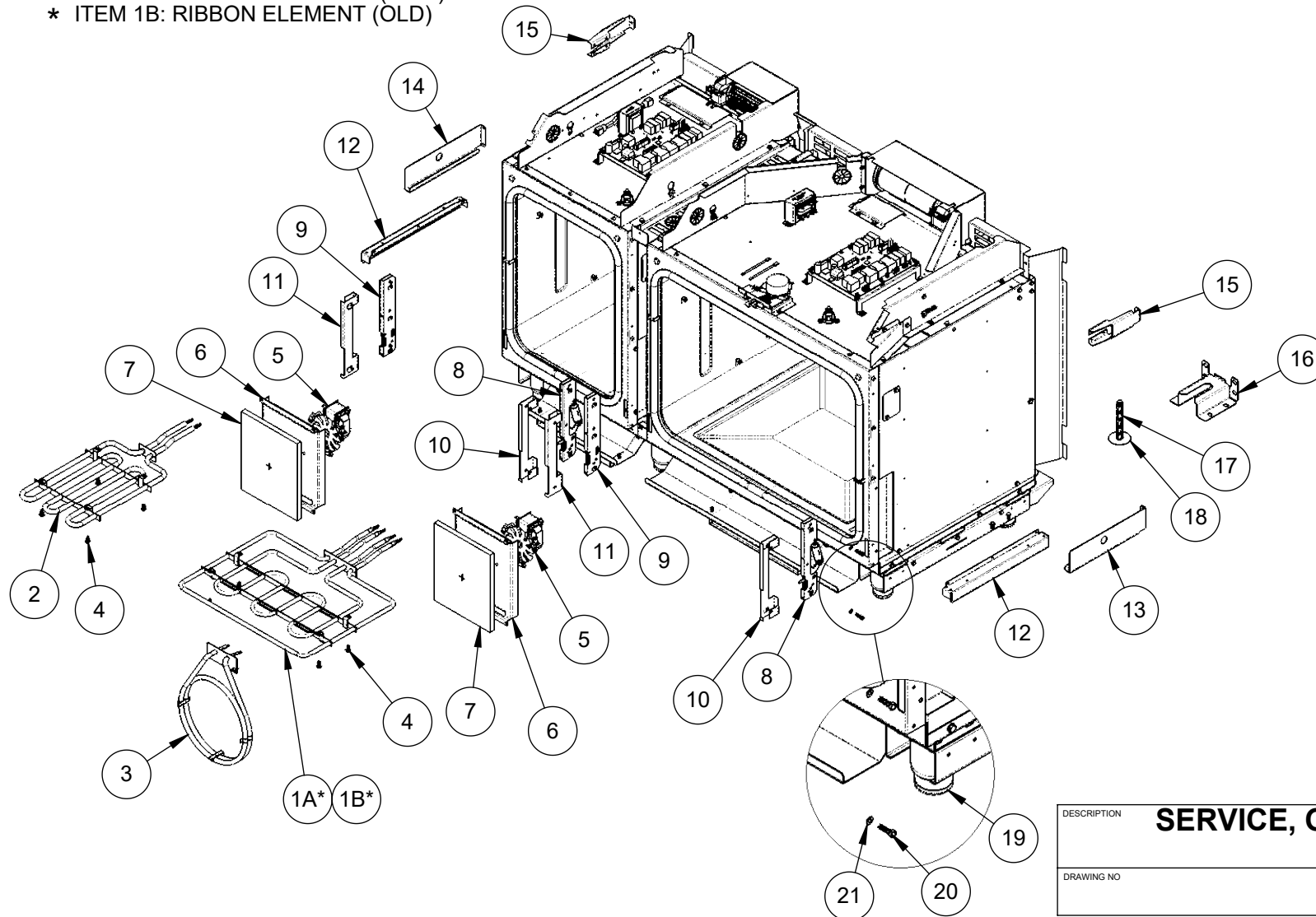
\*ITEM 28A: DOOR LATCH (OLD)  
 \*ITEM 28B: DOOR LATCH (NEW)  
 \*ITEM 37: FOR NEO LATCH ONLY  
 \*\* ITEMS NOT SHOWN

DESCRIPTION	<b>SERVICE, OVEN ASSEMBLY,          DF, 48"</b> <b>A6</b>
DRAWING NO	

ITEM	PART NO.	DESCRIPTION	QTY
1A*	032666	ELEMENT, BROIL, 240V, 3000W, 30" RANGE	1
1B*	023629	ELEMENT, BROIL, LARGE OVEN, 48" RANGE	1
2	023036	ELEMENT, BROIL, SMALL OVEN, 48" RANGE	1
3	017889	ELEMENT, CONVECTION, 240V 2600W, INDOOR RANGE	1
4	024263	SERVICE, SMS, #10-24 X .50, HEXWSH, TYPE F, SS, PKG 10	1
5	015530	FAN, CONVECTION, 36" RANGE	2
6	015529	PLATE, MOUNTING, CONVECTION FAN MOTOR, 36" RANGE	2
7	018337	INSULATION, REAR, CONV. FAN, 1/2" THK, 36" RANGE	2
8	015856-01	RECEIVER, DAMPED, 36" RANGE	2
9	015856-03	RECEIVER, STANDARD, 36" RANGE	2

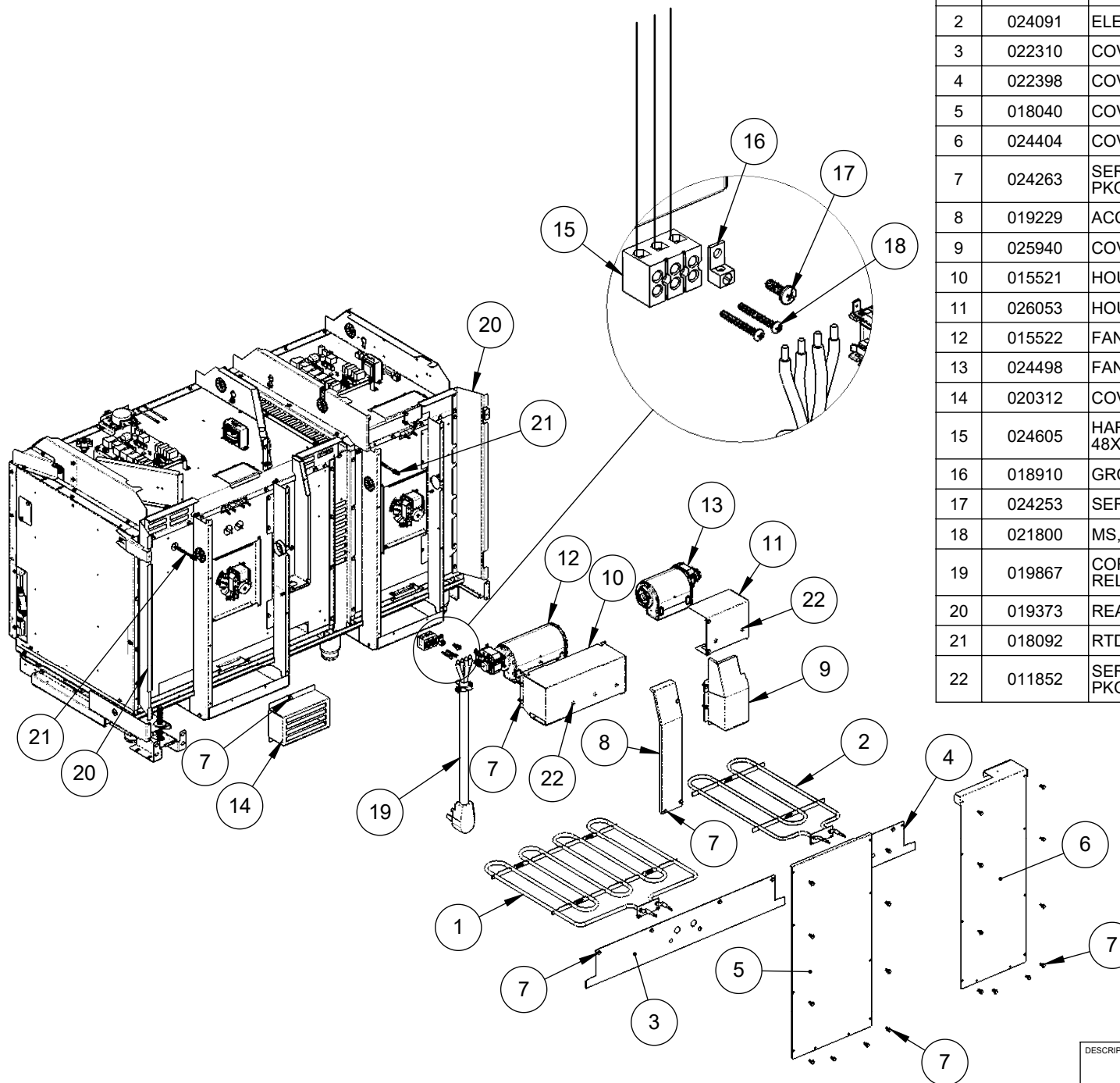
10	015588	ASSY, WELDMENT, HOLDER, HINGE, RIGHT, 36" RANGE	2
11	015591	ASSY, WELDMENT, HOLDER, HINGE, LEFT, 36" RANGE	2
12	022775	SPACER, BOTTOM, PANEL, SIDE, 48" RANGE	2
13	022776	SUPPORT, PANEL, SIDE, RIGHT, LOWER, 48" RANGE	1
14	022778	SUPPORT, PANEL, SIDE, LEFT, LOWER, 48" RANGE	1
15	024023	SUPPORT, PANEL, SIDE, UPPER, 48" RANGE	2
16	029078	ANTI-TIP BRACKET, SMALL, INDOOR RANGE	1
17	018907	HB, 1/2-13 X 4, ZN-PLATED STEEL	1
18	020268	WSH, FLAT, 1/2 (.531 X 2.00 X .051), ZN-PLATED STEEL	1
19	018695	LEG, ADJUSTABLE, 3.15 - 4.75" RANGE	6
20	024257	SERVICE, MS, 10-32 X 3/4", HEX, ZINC PLATED, STEEL, PKG 4	1
21	024242	SERVICE, WSH, FLAT, #10 (.203 X .375 X .020), BLK-OXIDE, 18-8 SS, PKG 6	1

- \* ITEM 1A: CALROD ELEMENT (NEW)
- \* ITEM 1B: RIBBON ELEMENT (OLD)



**HESTAN**

DESCRIPTION	<b>SERVICE, OVEN ASSEMBLY, DF, 48"</b>
DRAWING NO	<b>A6.1</b>

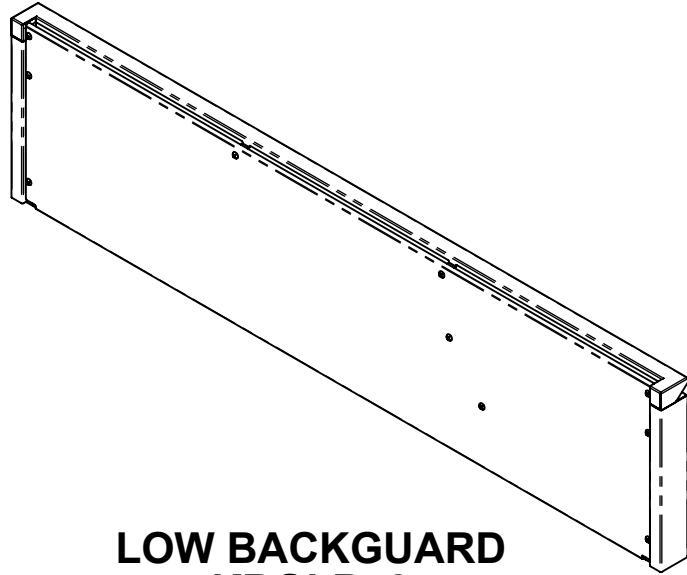


ITEM	PART NO.	DESCRIPTION	QTY
1	023564	ELEMENT, BAKE, 2500W, 240V, 48" RANGE	1
2	024091	ELEMENT, BAKE, 1500W, 240V, 48" RANGE	1
3	022310	COVER, ACCESS, BAKE, LARGE OVEN, 48" RANGE	1
4	022398	COVER, ACCESS, BAKE, SMALL OVEN, 48" RANGE	1
5	018040	COVER, REAR, DUCT, EXHAUST, 36" RANGE	1
6	024404	COVER, REAR, DUCT, EXHAUST, 48" RANGE, SMALL	1
7	024263	SERVICE, SMS, #10-24 X .50, HEXWSH, TYPE F, SS, PKG 10	1
8	019229	ACCESS PANEL, WIRE COVER, INDOOR RANGE	1
9	025940	COVER, WIRE, REAR, SMALL OVEN, 48" RANGE	1
10	015521	HOUSING, FAN, COOLING, 36" RANGE	1
11	026053	HOUSING, FAN, COOLING, SMALL, 48" RANGE	1
12	015522	FAN, COOLING, RANGE	1
13	024498	FAN, COOLING, RANGE, SMALL	1
14	020312	COVER, RTD PROBE	1
15	024605	HARNES, WIRE, MAIN, DF RANGE, 48X/484GD/485GD (VW-1/FT1)	1
16	018910	GROUNDING LUG, 1 WIRE, 14-4 AWG	1
17	024253	SERVICE, MS, 1/4-20 x 3/4", PH, PAN, ZN, PKG 4	1
18	021800	MS, 8-32 X 1.50, PH, ROUND HD, ZN	2
19	019867	CORD, POWER, 6 FT, NEMA 14-50P, 50A, W/ STRAIN RELIEF	1
20	019373	REAR COVER, LH, 36" RANGE	2
21	018092	RTD PROBE, W/FLANGE, AMP CONNECTOR	2
22	011852	SERVICE, SMS, #8-32 X 3/8, PH, PAN, TYPE F, SS, PKG 4	1

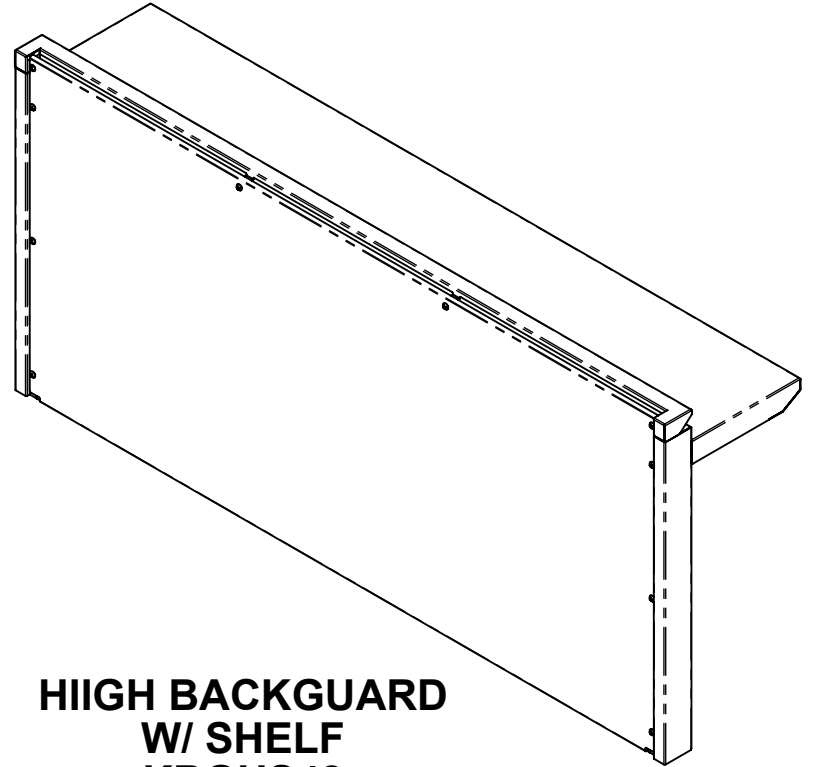
**HESTAN**

DESCRIPTION **SERVICE, OVEN ASSEMBLY, DF, 48"**  
DRAWING NO **A6.2**

REF 034873



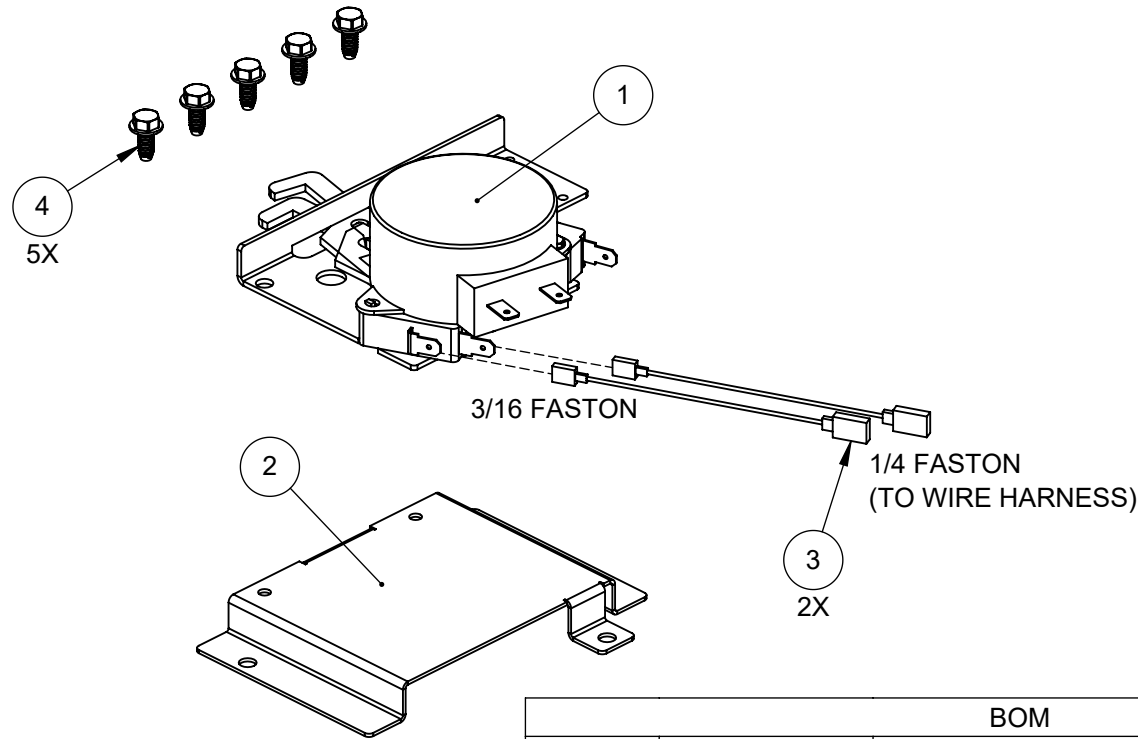
**LOW BACKGUARD  
KBGLB48**



**HIGH BACKGUARD  
W/ SHELF  
KBGHS48**

 **HESTAN**

DESCRIPTION	<b>SERVICE, OTHER BACKGUARDS - 48"</b>
DRAWING NO	<b>A7</b>



BOM			
ITEM NO.	PART NUMBER	DESCRIPTION	QTY.
1	044954	LATCH, DOOR, NEO	1
2	044956	BRACKET, NEO DOOR LATCH MOUNTING	1
3	037446	HARNESS, WIRE, ADAPTER, 1/4 TO 3/16 FASTON	2
4	028449	SMS, #8-32 X 3/8, HEXWSH, TYPE F, SS	5



DESCRIPTION	<b>SERVICE, KIT, DOOR LATCH REPLACEMENT, INDOOR RANGE</b>
DRAWING NO	

A8

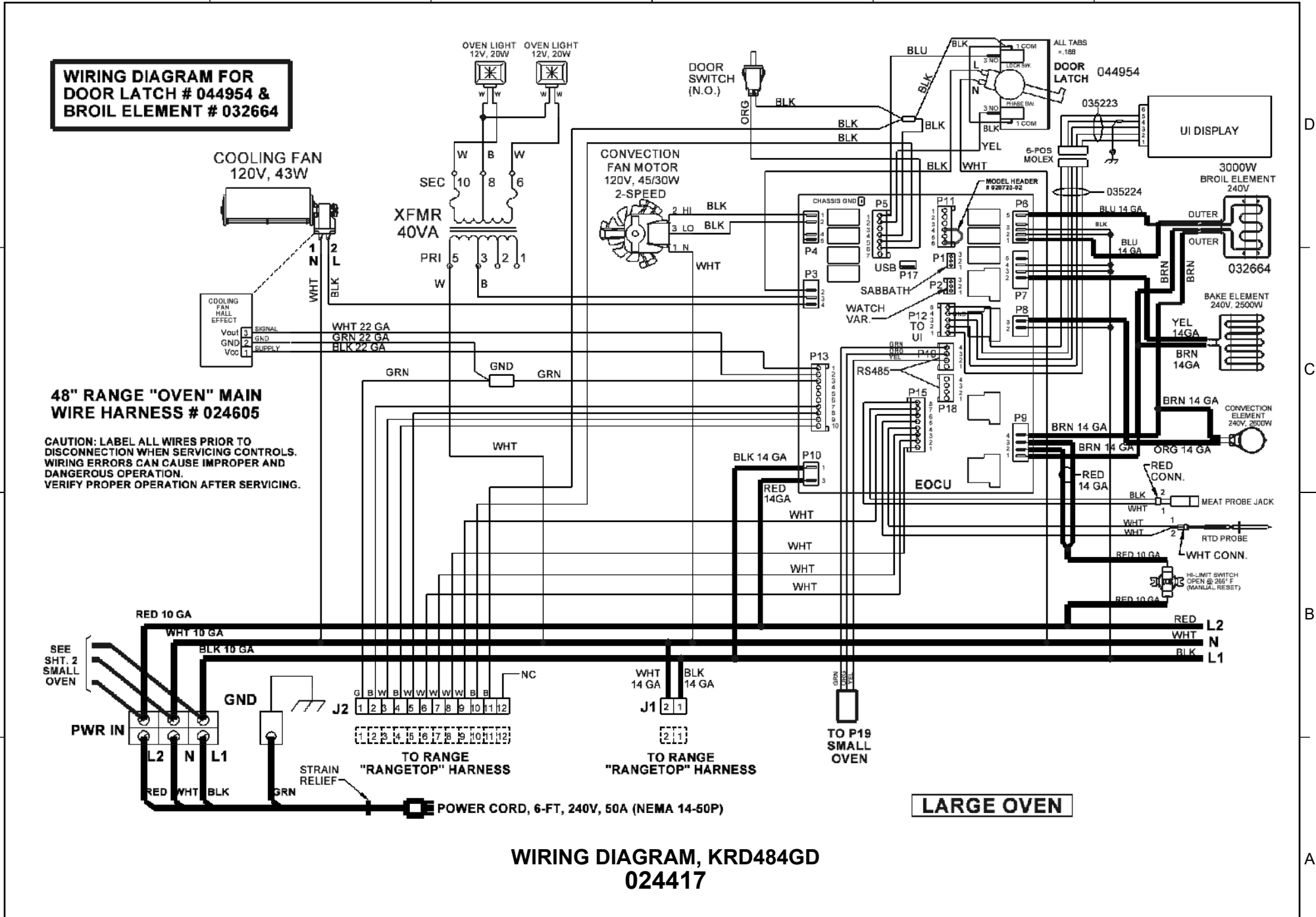
**WIRING DIAGRAM FOR  
DOOR LATCH # 044954 &  
BROIL ELEMENT # 032664**

**48" RANGE "OVEN" MAIN  
WIRE HARNESS # 024605**

CAUTION: LABEL ALL WIRES PRIOR TO  
DISCONNECTION WHEN SERVICING CONTROLS.  
WIRING ERRORS CAN CAUSE IMPROPER AND  
DANGEROUS OPERATION.  
VERIFY PROPER OPERATION AFTER SERVICING.

**LARGE OVEN**

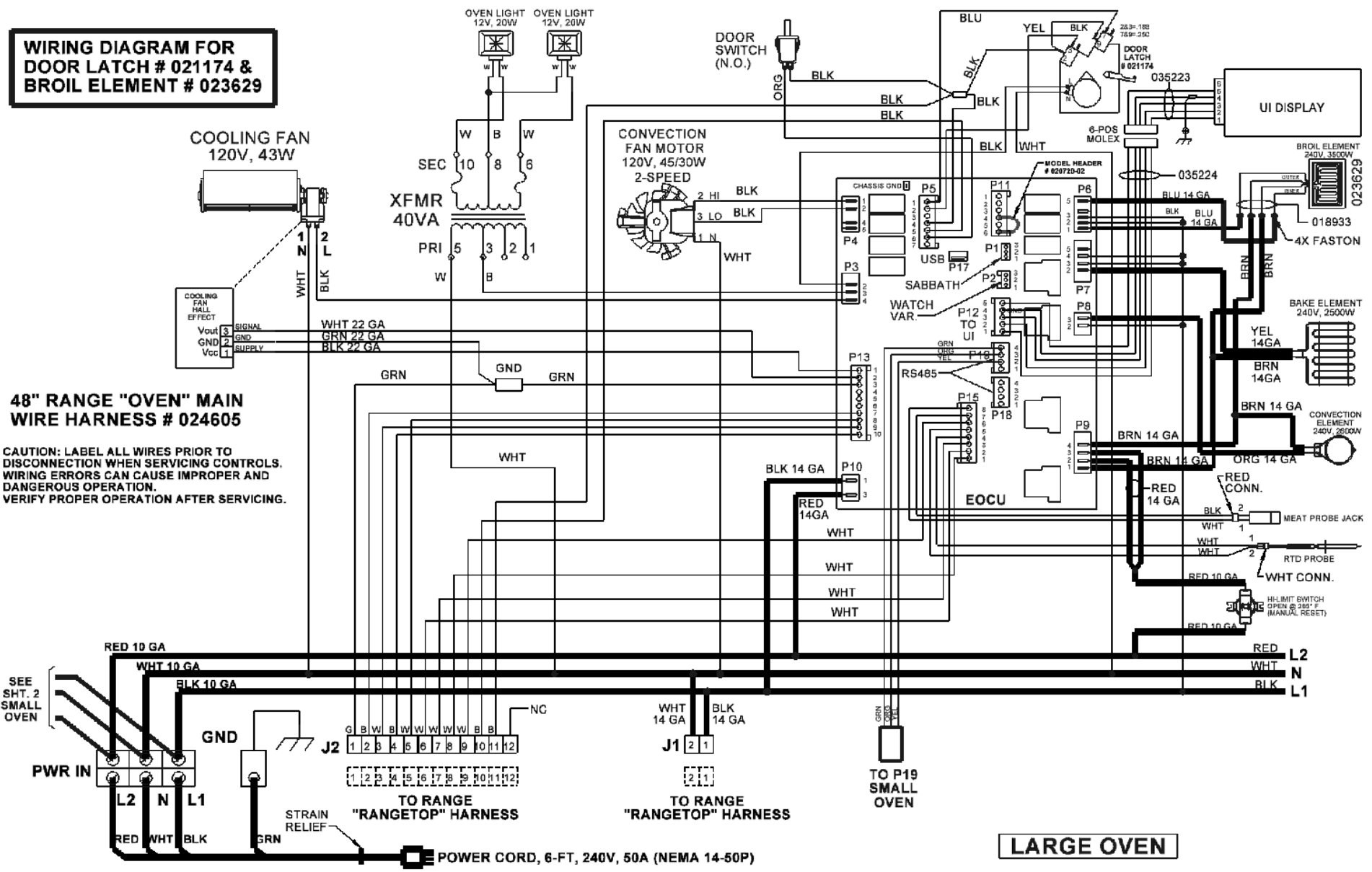
**WIRING DIAGRAM, KR484GD  
024417**



**WIRING DIAGRAM FOR  
DOOR LATCH # 021174 &  
BROIL ELEMENT # 023629**

**48" RANGE "OVEN" MAIN  
WIRE HARNESS # 024605**

CAUTION: LABEL ALL WIRES PRIOR TO  
DISCONNECTION WHEN SERVICING CONTROLS.  
WIRING ERRORS CAN CAUSE IMPROPER AND  
DANGEROUS OPERATION.  
VERIFY PROPER OPERATION AFTER SERVICING.



**WIRING DIAGRAM, KR484GD  
024417**

**LARGE OVEN**



PROPRIETARY  
NO PART OF THIS DOCUMENT MAY BE REPRODUCED,  
STORED IN A RETRIEVAL SYSTEM, OR TRANSMITTED IN  
ANY FORM, WITHOUT THE WRITTEN PERMISSION OF  
Hestan Commercial Corporation. THIS DOCUMENT OR ANY  
COPIES SHALL BE RETURNED UPON WRITTEN REQUEST.

DESCRIPTION  
**SERVICE - RANGE, 4-BURNER, DUAL-FUEL,  
48"**

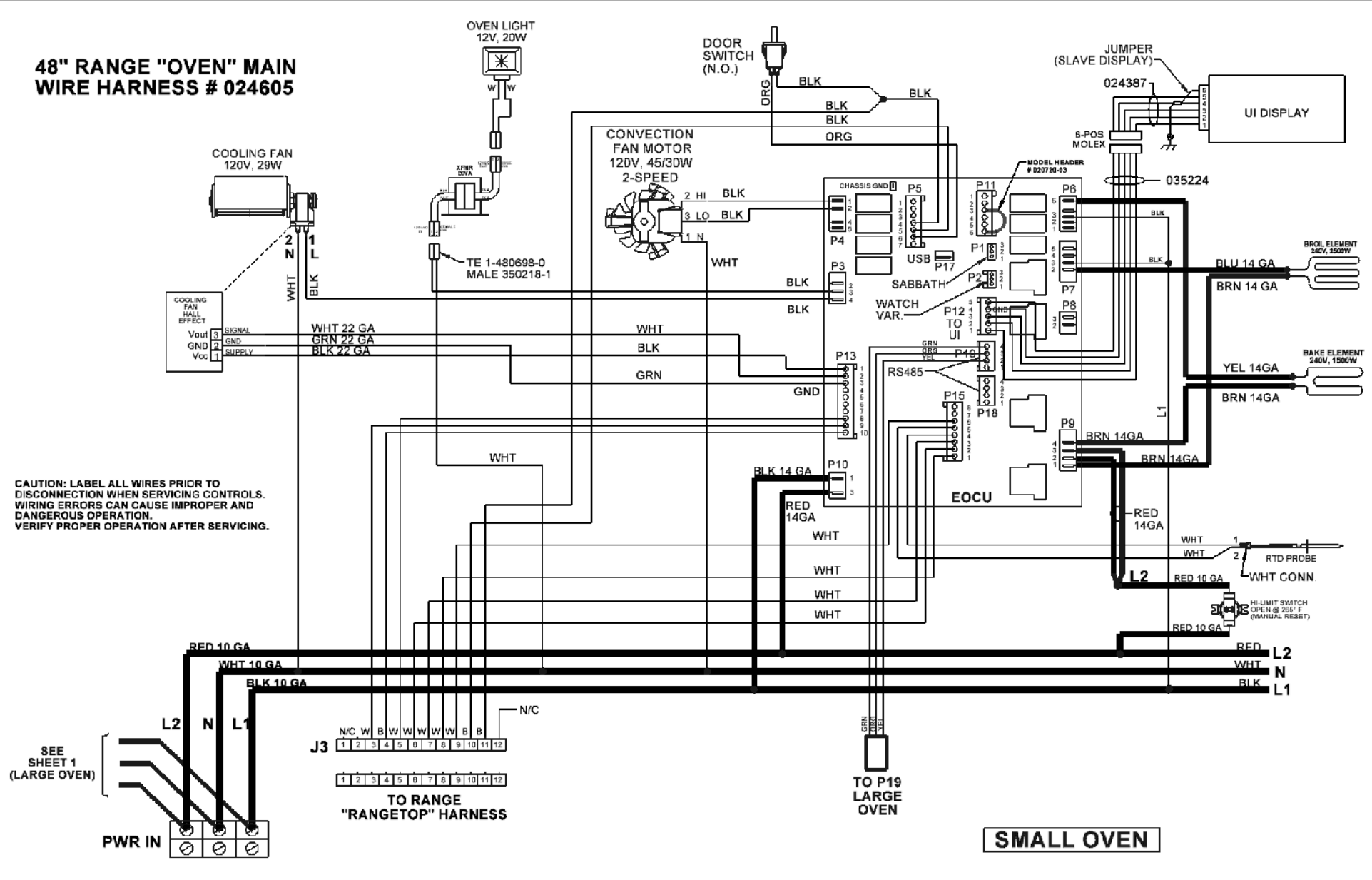
DRAWING NO  
**KRD484GD-SERVICE**

REVISION  
**F**  
SHEET NO.  
15 OF 18



**48" RANGE "OVEN" MAIN  
WIRE HARNESS # 024605**

D  
C  
B  
A



**WIRING DIAGRAM, KR484GD  
024417**



PROPRIETARY  
NO PART OF THIS DOCUMENT MAY BE REPRODUCED,  
STORED IN A RETRIEVAL SYSTEM, OR TRANSMITTED IN  
ANY FORM, WITHOUT THE WRITTEN PERMISSION OF  
Hestan Commercial Corporation. THIS DOCUMENT OR ANY  
COPIES SHALL BE RETURNED UPON WRITTEN REQUEST.

DESCRIPTION  
**SERVICE - RANGE, 4-BURNER, DUAL-FUEL,  
48"**

DRAWING NO  
**KRD484GD-SERVICE**

REVISION  
**F**  
SHEET NO.  
16 OF 18



				Range Error Codes			Ver 4 - updated 6/30/2020
EOCU (Control Board) Errors	Display	Priority	Error	Detection	Action	How to Clear	
	<b>ERROR 01</b>	A	Door Latch	Door lock is not at the unlocked position during a cook or a locked position during a clean.	If in clean cycle, cancel cycle and try to lock door. If door does not lock after 1 minute, then display error. If in a cooking cycle, try to cycle motor until it is in the unlocked state.	Turn oven knobs off. Power down and correct door lock issue.	
	<b>ERROR 02</b>	A	RTD	Open or Short.	Cancel any cook or clean cycle, EOCU will be inoperable.	Turn oven knobs off. Power down and replace or plug in RTD.	
	<b>ERROR 03</b>	A	Cooling Fan Hall Effect	EOCU is not receiving a square wave in the allowable frequency range.	Cancel bake or clean operation immediately.	Turn oven knobs off. Power down and correct cooling fan issue.	
(Determined in UI. EOCU sends UI a 0 for meat probe temp.)	<b>ERROR 04</b>	B	Meat probe - Shorted	Meat probe input is shorted.	Cancel any cook by probe operation.	Correct short, re-enter timed or delay function.	
	<b>ERROR 06</b>	A	Invalid Model Header	Model header is undefined.	This is read only at power up, EOCU will be inoperable.	Turn oven knobs off. Power down and insert correct model header. Possible Cause on 48" unit: 1. If both boards have no header, Main UI displays ERROR 06 and Companion UI displays ERROR 08. 2. If Main Oven has no header, Main UI displays ERROR 06 and	
	<b>ERROR 07</b>	A	Door Switch	The door is open during CLEAN (either the door latch has failed, the door sensor has failed or the user has opened the door immediately after selecting CLEAN before the latch can engage).		Turn oven knobs off. Power down and correct door lock issue.	
	<b>ERROR 08</b>	B	Communication Error	RS485 Serial Communication is lost or unable to establish connection between EOCU and any UI (if one is present).	The EOCU can still perform a cook if the UI is non-functioning and the user selected a cook cycle via the selector knobs. The EOCU will not however do a Clean cycle or Preheat since it doesn't know if the other unit is currently operating (for double ov	Turn oven knobs off. Power down and correct issue. Possible Cause: 1. P19 connection is disconnected. - Single-board system (30" & 36") - UI displays error. - Double-board system (48") - Both UIs display error. 2. P12 to UI connection using 024	
	<b>ERROR 09</b>	A	Temperature Run-Away	Control detects temperature greater than or equal to 610 degrees F in a non-Self Clean cycle.	Go into error mode and shut down oven.	Turn oven knobs off. Power down and replace the EOCU.	
UI (Touch Screen) Errors	Display	Priority	Error	Detection	Action	How to Clear	
	<b>ERROR 20</b>	B	Shorted Key	UI detects one or more keys are shorted for longer than 1 minute.	Cancel any timed cycle or delay start.	Replace UI.	
	<b>ERROR 08</b>	B	Communication Error	RS485 Serial Communication is lost or unable to establish connection to EOCU(s).	Cancel any timed cycle or delay start.	Replace UI or fix issue. Same as ERROR 08 above.	
Error Priority	Description						
A	Critical Error, Cancel current cycle, Turn off all elements.						
B	Non-Critical, Cancel only the feature that is affected, allow oven to still operate.						