

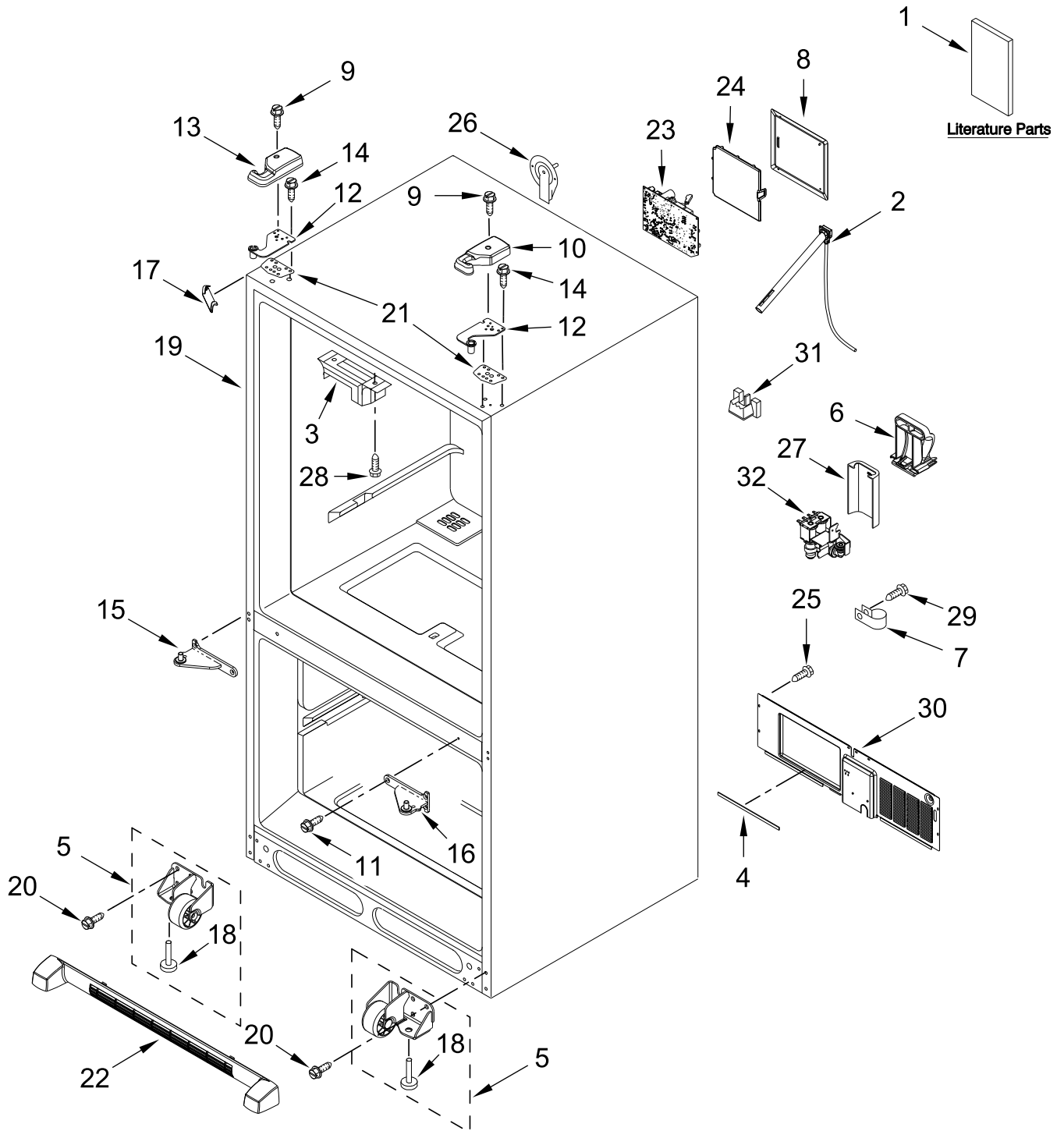
KitchenAid®

REFRIGERATOR

MODELS:

KRFC300ESS12 (Stainless Steel)

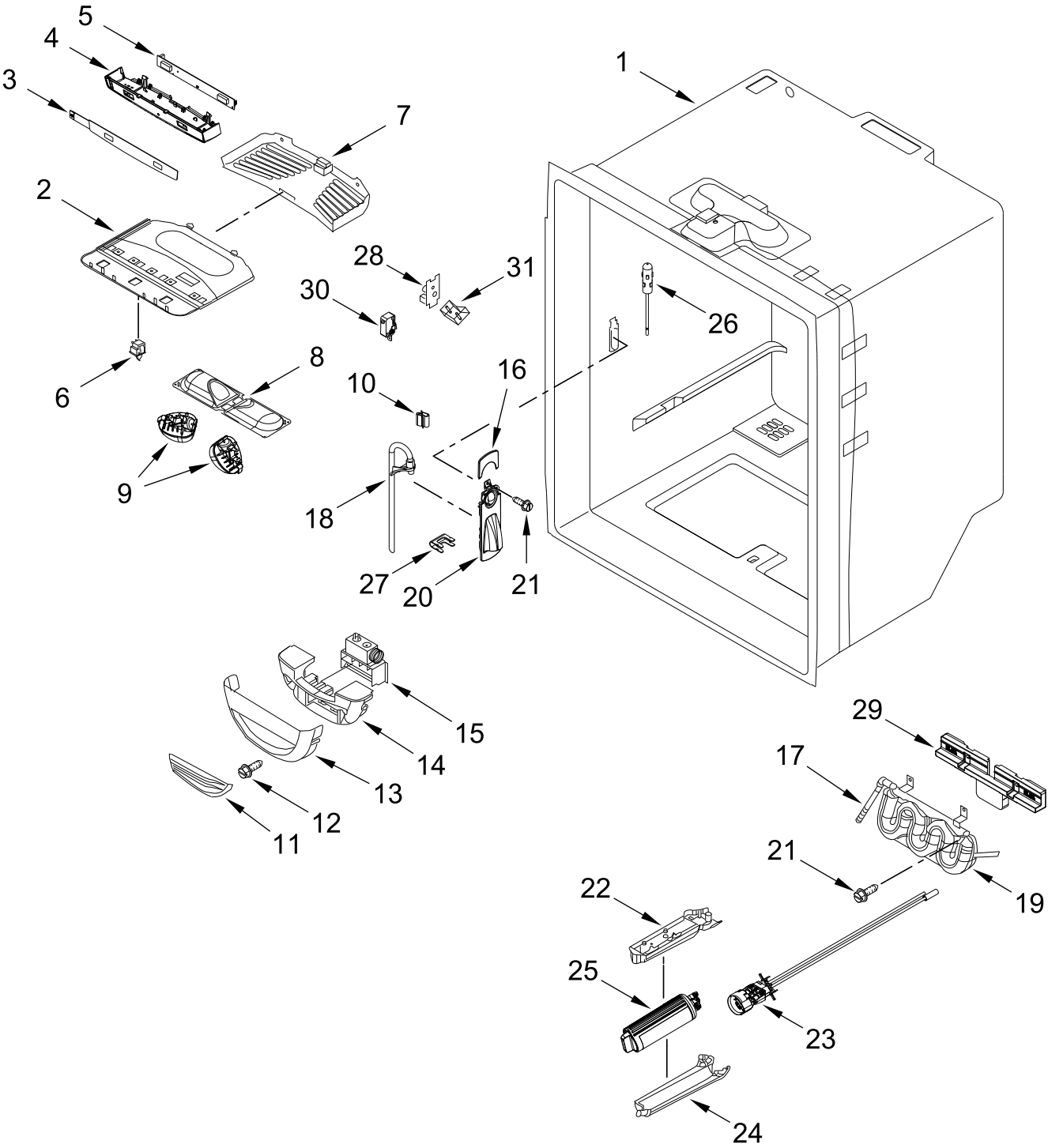
CABINET PARTS



CABINET PARTS

<u>Illus. No.</u>	<u>Part No.</u>	<u>Description</u>	<u>Illus. No.</u>	<u>Part No.</u>	<u>Description</u>	<u>Illus. No.</u>	<u>Part No.</u>	<u>Description</u>
1		Literature Parts	11	W10673840	Screw (Stainless)	21		Shim, Hinge
	W11580822	Owners Manual	12		Hinge, Top		12999501	Left Hand
	W11647515	Energy Guide		W11456626	Left Hand		12999502	Right Hand
	W11665552	Tech Sheet		W11456625	Right Hand	22		Assembly, Grille (Includes Clips)
2	W11046934	Assembly, Fill Tube (Includes Tubing, Fill Tube Elbow, Tube Insert and Clamp)	13		Cover, Hinge Left Hand (Includes Foil)		W10534155	Grey
3	12698403	Plate, Pivot		W10337648	Grey	23	W10317076	Board, HV Control
4	W11534848	Gasket	14	12992403	Screw	24	W10296541	Lid, HV Control Box
5		Assembly, Roller	15		Hinge, Center	25	12990702	Screw
	W10515763	Left Hand		W11610757	Left Hand	26	12726003	Cover, Water Line
	W10515762	Right Hand	16		Hinge, Center	27	W10208593	Guard, Dual Water Valve
6	W10528513	Sweep, Dual Tube		W11610758	Right Hand	28	688983	Screw
7	M0108107	Clamp, Tube	17		Cover, Corner	29	12990504	Screw
8	12961602	Cover, Control Box		12587703AP	Grey	30	W10211855	Cover, Unit
9	12992602	Screw	18	W10141622	Brake, Roller	31	W11651067	Block, Fill Tube
10		Cover, Hinge Right Hand	19		Cabinet (Not A Serviceable Part)	32	W11446816	Valve, Water Inlet
	12962302AP	Grey	20	W10709365	Screw			

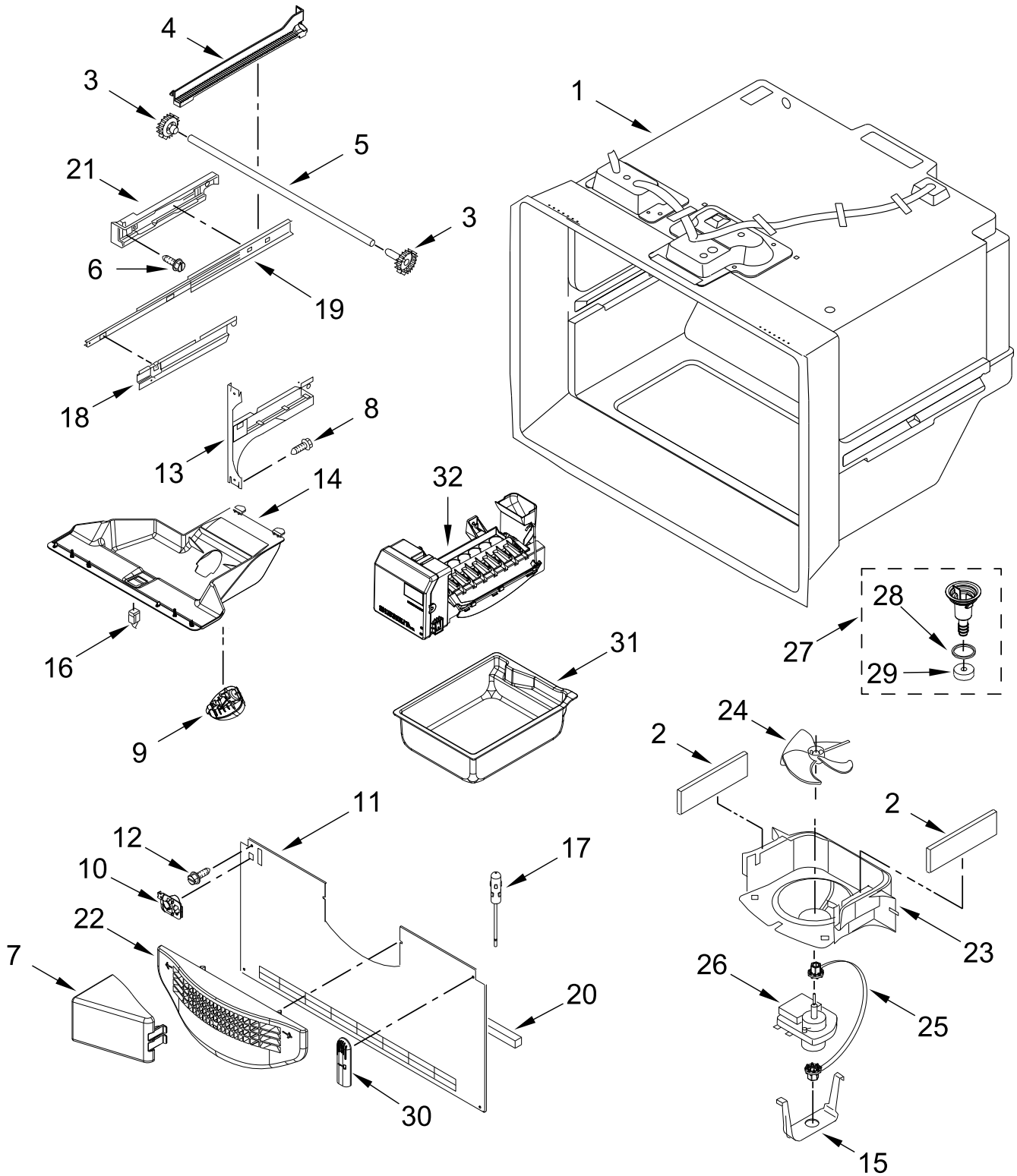
REFRIGERATOR LINER PARTS



REFRIGERATOR LINER PARTS

<u>Illus.</u> <u>No.</u>	<u>Part No.</u>	<u>Description</u>	<u>Illus.</u> <u>No.</u>	<u>Part No.</u>	<u>Description</u>	<u>Illus.</u> <u>No.</u>	<u>Part No.</u>	<u>Description</u>
1		Liner (Not A Serviceable Part)	14	W11657832	Insulation, Damper	26	12791416	Thermistor
2	W10464764	Module, Light	15	W10594329	Control, Damper	27	B8390302	Clip, Facade
3	W10746278	Overlay	16	W11437003	Facade, Dispenser (Top)	28	W11437528	Plate, Switch
4	W10464767	Module, Control	17	61006182	Union, Water	29	W11658768	Insulation, Tank
5	W11593757	Board, Control	18	W11031909	Guide, Waterline	30	W11495787	Switch, Limit
6	W10847853	Switch, Rocker	19	W11097710	Tank, Water	31	W11437004	Foam, Plate Switch
7	W11132917	Cover, Light	20	W11551461	Facade, Dispenser			FOLLOWING PARTS NOT ILLUSTRATED
8	W10443023	Housing, Light	21	12990302	Screw	W11609495		Harness, Fresh Food Control (Includes Thermistor)
9	W11468934	Light Module, LED	22	W11510657	Plate, Filter			
10	12251001	Clip, Water Tube	23	W11519957	Manifold, Water System			
11	12806801	Insert, Damper Cover	24	W11510654	Cover, Filter			
12	12990604	Screw	25	W11536439	Filter, Water			
13	12806701	Cover, Damper						

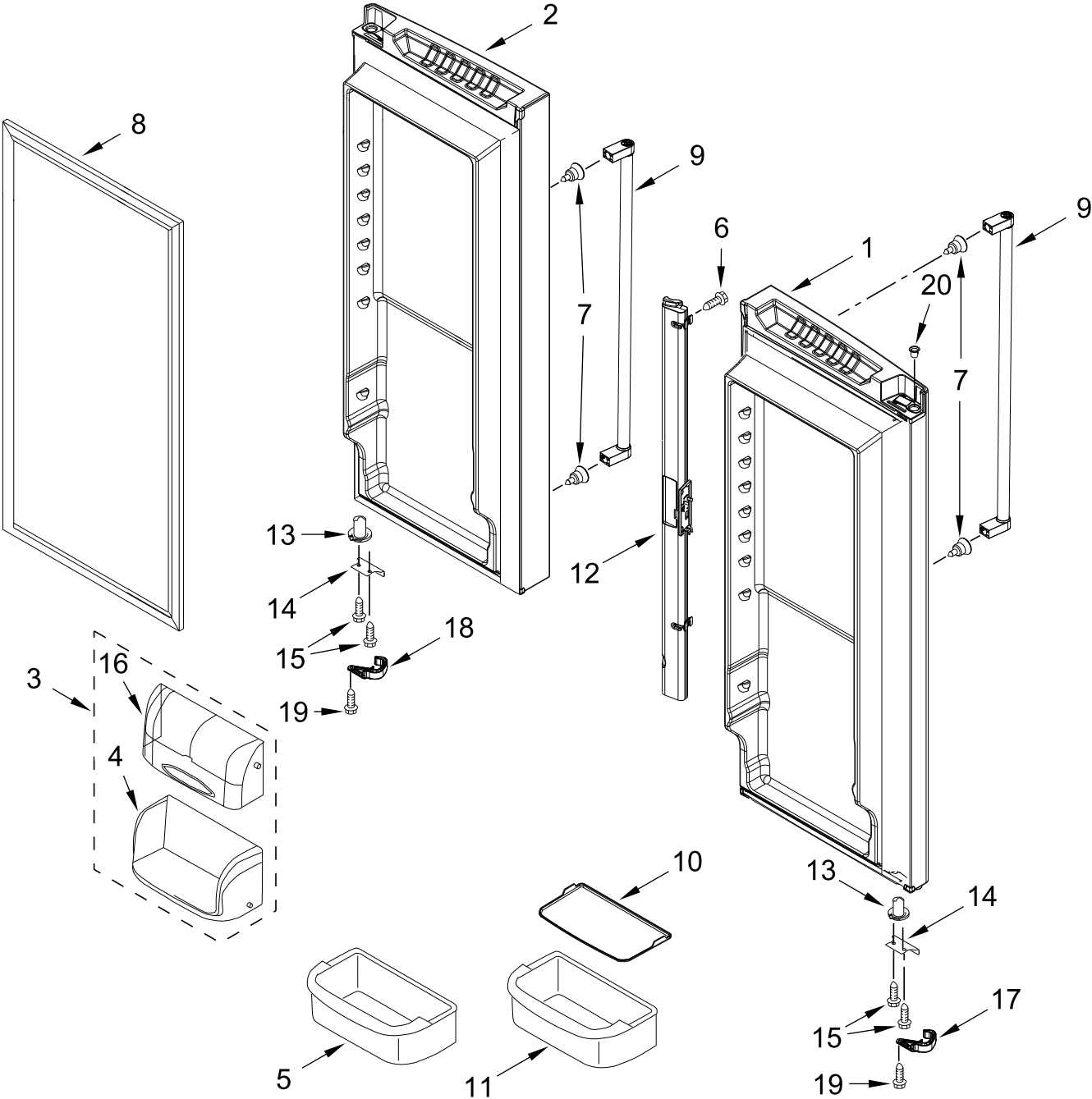
FREEZER LINER AND ICEMAKER PARTS



FREEZER LINER AND ICEMAKER PARTS

<u>Illus.</u> <u>No.</u>	<u>Part No.</u>	<u>Description</u>	<u>Illus.</u> <u>No.</u>	<u>Part No.</u>	<u>Description</u>	<u>Illus.</u> <u>No.</u>	<u>Part No.</u>	<u>Description</u>
1		Liner (Not A Serviceable Part)	13		Bracket, Door	23	13057901	Shroud, Evaporator Fan
2	A3189392	Gasket, Foam		W10330994	Left Hand	24	2169142	Blade, Fan
3	12002497	Gear	14	W10277025	Module, Light	25	W10150583	Grommet, Fan Motor
4		Rack, Side	15	13058002	Clip, Evaporator Motor	26	13062901	Motor, Evaporator
	W11310677	Left Hand	16	W10847849	Switch, Light	27	W10662407	Assembly, Drain Funnel
	W11310678	Right Hand	17	12791419SP	Thermistor	28	M0500703	Seal
5	W10802332	Shaft, Rack	18		Cradle, Basket	29	B8381501	Gasket, Drain
6	12990501	Screw		W10281115	Left Hand	30	12815301	Cover, Thermistor
7	W10157765	Diverter, Air		W10281116	Right Hand	31	W10171529N	Pan, Ice
8	12990521	Screw	19	W11643658	Slide, Door	32	W11525253	Assembly, Complete Ice maker
9	W11468934	Light Module, LED	20	A3189396	Gasket			
10	W11341630	Guide, Fill Tube	21		Adapter, Side			
11	W10308416	Cover, Evaporator		W10284692	Left Hand			
12	12990511	Screw		W10284693	Right Hand			
			22	13024803	Grille, Freezer Air			

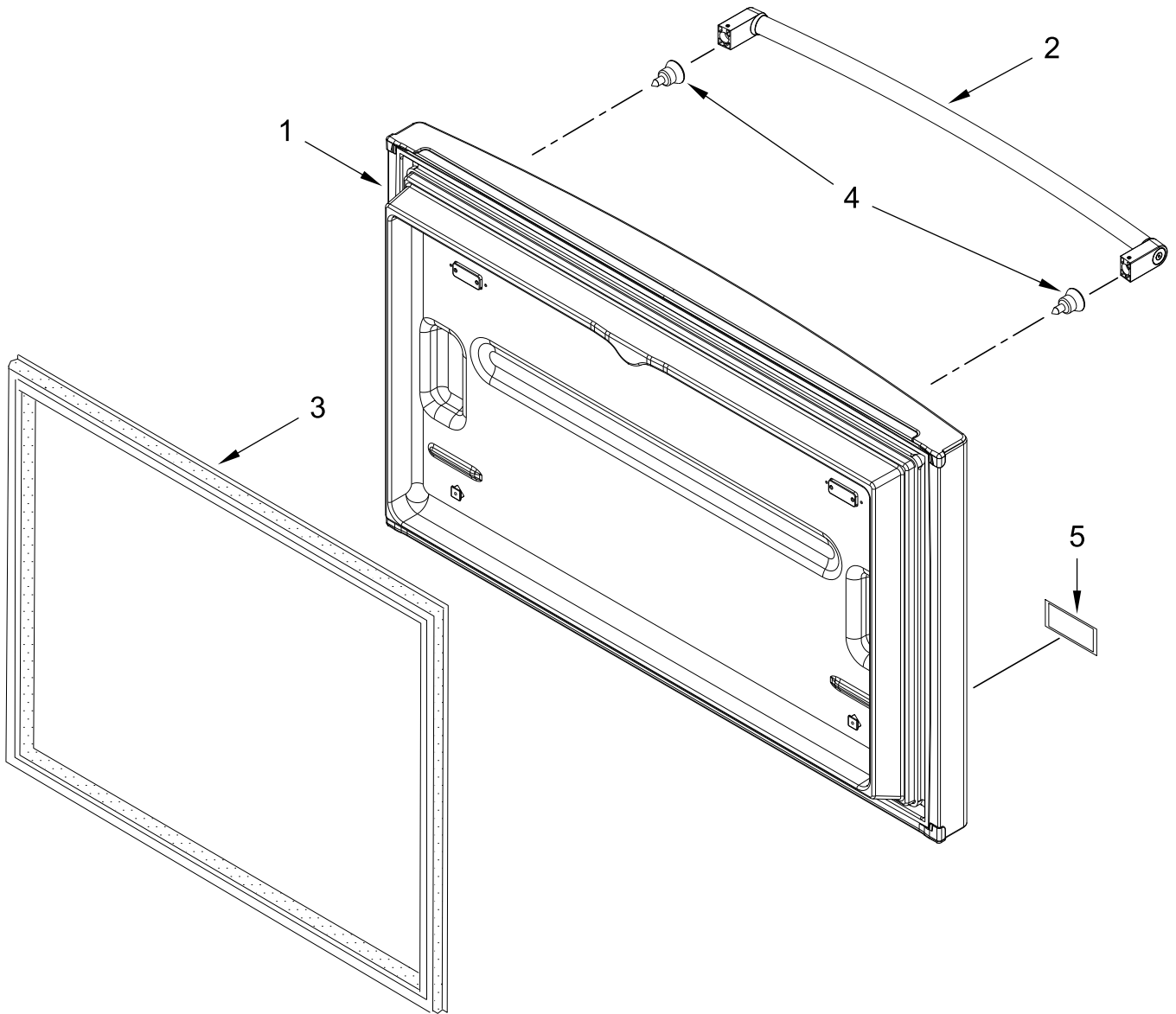
REFRIGERATOR DOOR PARTS



REFRIGERATOR DOOR PARTS

<u>Illus.</u> <u>No.</u>	<u>Part No.</u>	<u>Description</u>	<u>Illus.</u> <u>No.</u>	<u>Part No.</u>	<u>Description</u>	<u>Illus.</u> <u>No.</u>	<u>Part No.</u>	<u>Description</u>
1		Door, Left	10	W10449760	Gripper, Gallon	18		Latch, Door Closer
	W11622645	Stainless	11	W10289497	Bucket, Gallon			Right Hand
2		Door, Right	12		Mullion, Door		W10833739	Grey
	13107887S	Stainless		12722803APN	Grey	19	12990518	Screw
3	12744905	Assembly, Dairy	13		Closure, Door	20	12996601	Clip, Bushing
4	12369502SP	Tray, Dairy		12028505AP	Grey			
5	W10371194	Bucket, Medium	14		Stop, Door			
6	12990204	Screw		12968202AP	Grey			
7	W11328753	Screw	15	12990504	Screw			
8		Gasket, Door	16	12804701SP	Door, Dairy			
	W10830162	Grey	17		Latch, Door Closer			
9		Handle, Door			Left Hand			
	W11339136	Stainless		W10833741	Grey			

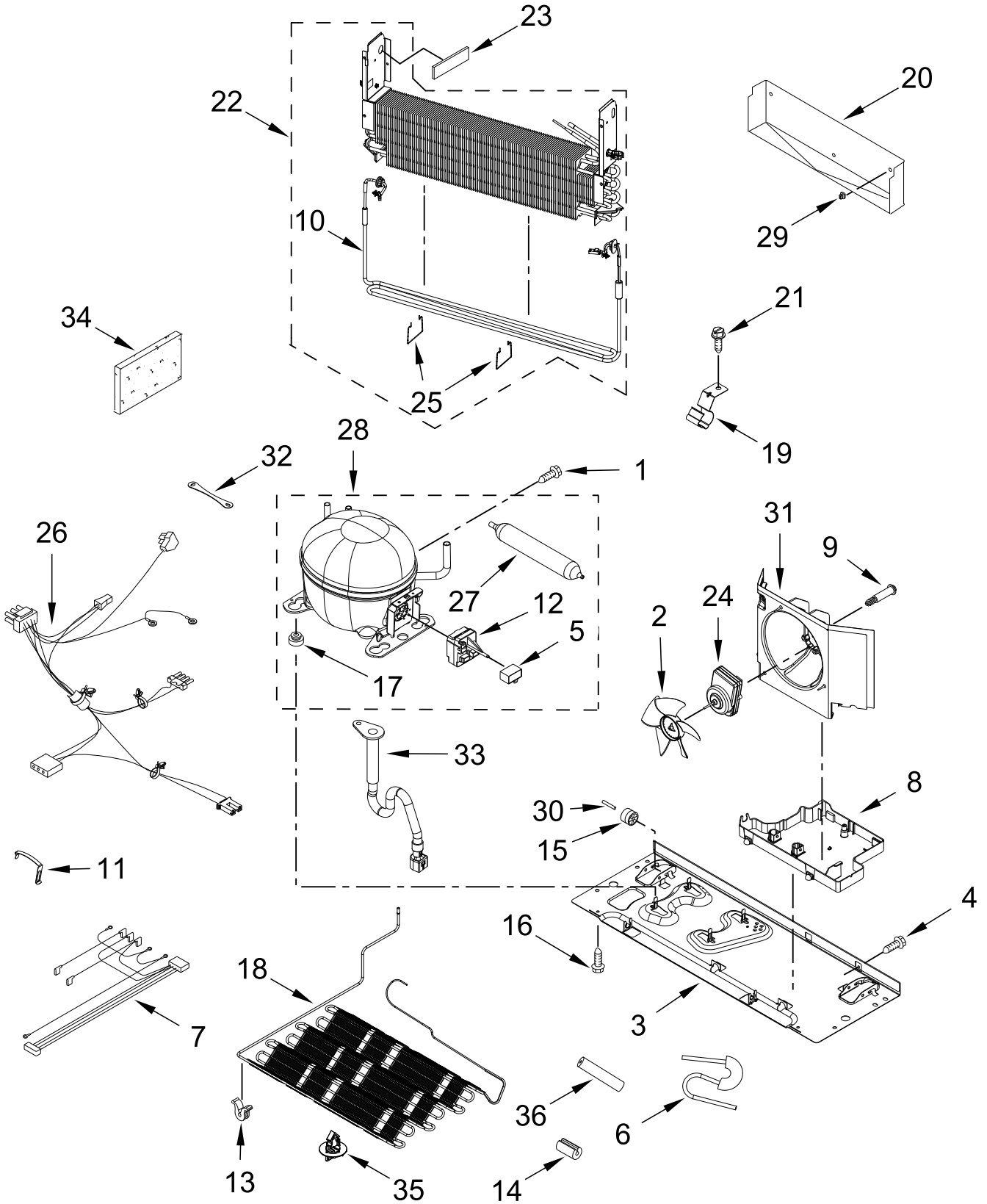
FREEZER DOOR PARTS



FREEZER DOOR PARTS

<u>Illus.</u> <u>No.</u>	<u>Part No.</u>	<u>Description</u>	<u>Illus.</u> <u>No.</u>	<u>Part No.</u>	<u>Description</u>	<u>Illus.</u> <u>No.</u>	<u>Part No.</u>	<u>Description</u>
1		Door, Freezer	3		Gasket, Door	5		Nameplate
	12977880S	Stainless		W10443320	Grey		W10765861	Grey
2		Handle, Door	4	W11328753	Screw			
	W11222206	Stainless						

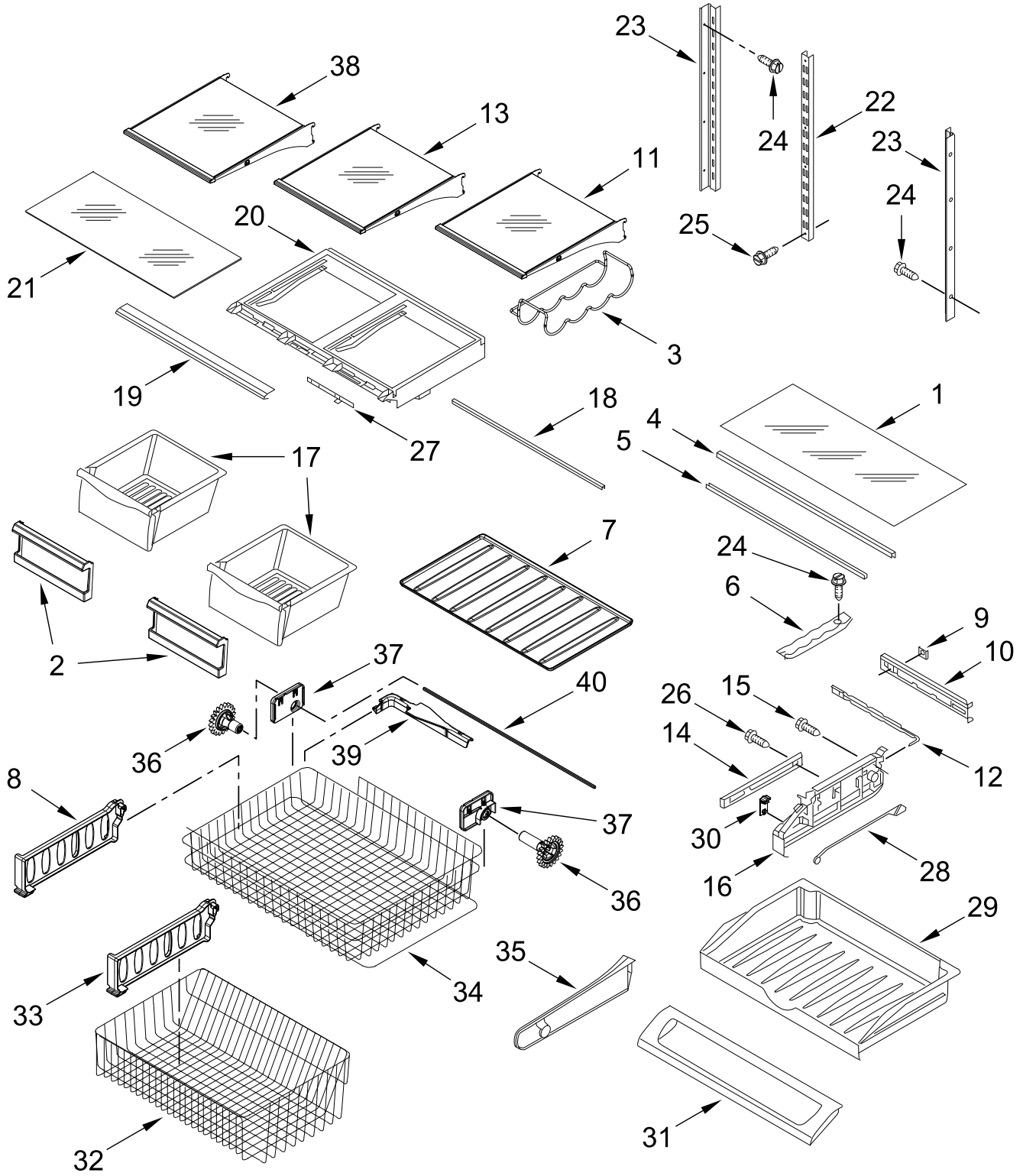
UNIT PARTS



UNIT PARTS

<u>Illus.</u> <u>No.</u>	<u>Part No.</u>	<u>Description</u>	<u>Illus.</u> <u>No.</u>	<u>Part No.</u>	<u>Description</u>	<u>Illus.</u> <u>No.</u>	<u>Part No.</u>	<u>Description</u>
1	12992301	Screw	19	W10281329	Clip, Drier	28	W11629397	Compressor (Also Order the Following Lokring Parts)
2	12825803	Blade, Fan	20	W11337767	Tray, Drip			
3	W11604794	Basepan	21	12990701	Screw			
4	12990511	Screw	22	W11515437	Assembly, Evaporator and Heater		W11504416	8.5/6 NR MS 00 (Suction Tube to Compressor)
5	W10350564	Capacitor			(Also Order the Following Lokring Parts)		W11504431	7/5 NR MS 00 (Discharge Tube to Compressor)
6	W11623085	Tube, Suction		W11504423	8/2 NR AL 00 (Capillary Tube to Evaporator)		W11506621	6 NK MS 00 (Charging Tube to Compressor)
7	W11305540	Harness, Evaporator Heater					W11506635	Tube, Charging (1/4 in w/ Schrader Valve)
8	W10655368	Pan, Drain						
9	W10622701	Screw						
10	W11287565	Heater, Defrost		W11504415	8.5/8 NR MS 00 (Suction Line to Evaporator)			
11	W11629200	Strap, Bale						
12	W11359985	Device, Start						
13	W10137529	Grommet, Condenser	23	W11244122	Gasket, Foam			
14	2319835	Grommet, Condenser	24	W11505534	Motor, Condenser Fan	29	10623002	Clip, Evaporator
15	12477102	Roller				30	12477202	Axle, Roller
16	12992101	Screw	25	W11380964	Clip, Heater	31	W11463236	Shroud, Condenser Fan
17	W11631702	Grommet	26	W11654036	Harness, Unit (Includes Power Cord)	32	W10236396	Strap, Compressor
18	W11597885	Condenser (Also Order the Following Lokring Parts)	27	W10805035	Drier (Service Drier Without Dye) (Also Order the Following Lokring Parts)	33	W10622099	Extension, Drain Tube
	W11506623	5 NK MS 00 (Discharge Tube to Condenser)				34	2169104	Insulation, Sound Deadening
	W11504432	6/5 NR MS 00 (Heat Loop to Condenser)		W11504445	5/4 NR MS 00 (Heat Loop to Drier)	35	W10815863	Clip, Condenser
				W11504447	5/1.8 NR MS 00 (Capillary Tube to Drier)	36	W10303521	Sleeve REFRIGERANT CHARGE 51 grams (R600a)

SHELF PARTS



SHELF PARTS

<u>Illus. No.</u>	<u>Part No.</u>	<u>Description</u>	<u>Illus. No.</u>	<u>Part No.</u>	<u>Description</u>	<u>Illus. No.</u>	<u>Part No.</u>	<u>Description</u>
1	W10893771	Glass, Pantry	16		Track, Pantry	31	12656813	Lid, Pantry
2	12802602SP	Front, Crisper Pan		12656105	Left Hand	32	W11115782	Basket, Lower
3	W10742811	Rack, Wine		12656018	Right Hand	33	W10150061	Divider, Basket (Lower)
4	W10528935	Support, Glass	17	12531105SP	Pan, Crisper	34	W11115548	Basket, Freezer (Upper)
5	12227305WH	Brace, Pantry	18	W10832723	Brace, Crisper Cover	35	12709301	Divider, Pantry
6	12531901	Track, Deli Drawer	19	W10231485N	Trim, Crisper	36		Gear
7	12727304	Tray, Lower Basket	20	12531202SP	Frame, Crisper		W10474716	Left Hand
8	W10241046	Divider, Basket (Upper)	21	12204821	Glass, Crisper		W10474715	Right Hand
9	12656901	Gasket, Pantry	22	W10273463	Ladder, Center	37		Mount, Gear
10	12656202	Housing, Control	23	W10569182	Ladder, Side		W10348259	Left Hand
11	W10878953	Assembly, Fixed Top Shelf	24	12990513	Screw		W10348260	Right Hand
12	12655402	Slide, Temperature Control	25	W10215666	Screw	38	W10905889	Assembly, Shelf
13	W10878945	Assembly, Shelf	26	12990512	Screw	39	W10149389N	Lift, Bail Arm
14	W10235370	Glide, Pantry	27	12530805SP	Slide, Humidity Control	40	W10802333	Shaft, Rack
15	12990504	Screw	28	12655303	Bar, Temperature Control			
			29	W11427806	Drawer, Pantry			
			30	12655204	Knob, Temperature Control			

OPTIONAL PARTS

<u>Illus.</u> <u>No.</u>	<u>Part No.</u>	<u>Description</u>
		TOUCH-UP PAINT
W10134625		Apollo Grey
W10917540		Midnight Grey
		MISCELLANEOUS
212643		Sealer, Gum (4 Feet)
479502		Tape, Vinyl (3/4 x 108")
876370		Insulation (2 Pieces, 3" x 24" x 48")
876305		Insulation Kit (14 Pieces, 3" x 24" x 48")
978941		Insulation, Fiberglass (63 1/2" x 35 1/2" x 2 5/8")
876029		Kit, Foam Slab (30" x 32 1/2" x 1 1/2")
505587		Sealer, Mastic (1 Qt)
503695		Cork, Sealer
542638		Grease, Silicone (1/2 Oz.)
542639		Cement, Alumilastic (1 1/4 Oz.)
833938		Kit, Terminal Connector
8003RP		Kit, Water Inlet
		TORX SCREW WRENCH
1117510		Torx Key