

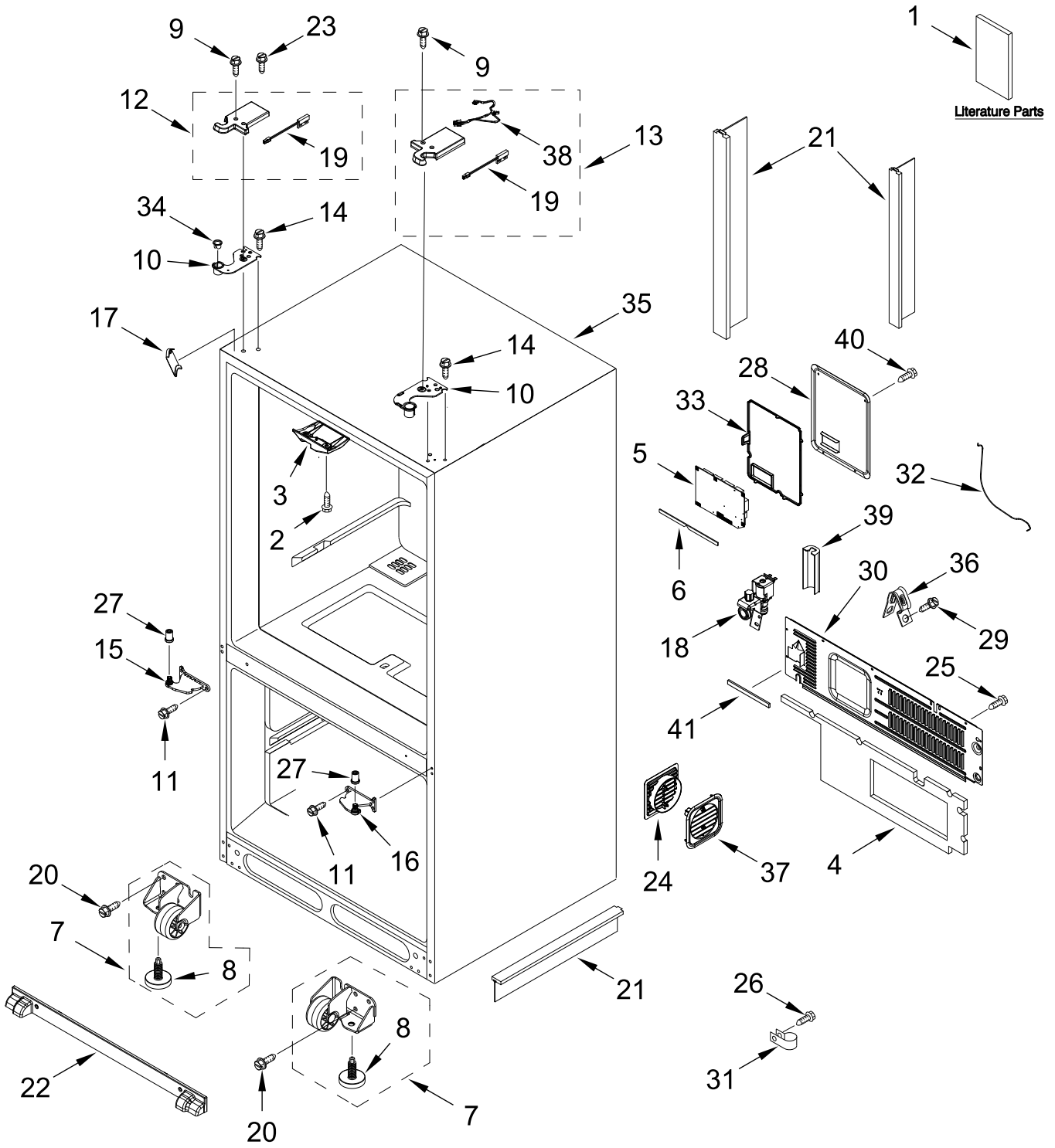
**KitchenAid®**

**REFRIGERATOR**

**MODELS:**

KRFC704FPS06 (Stainless Steel)

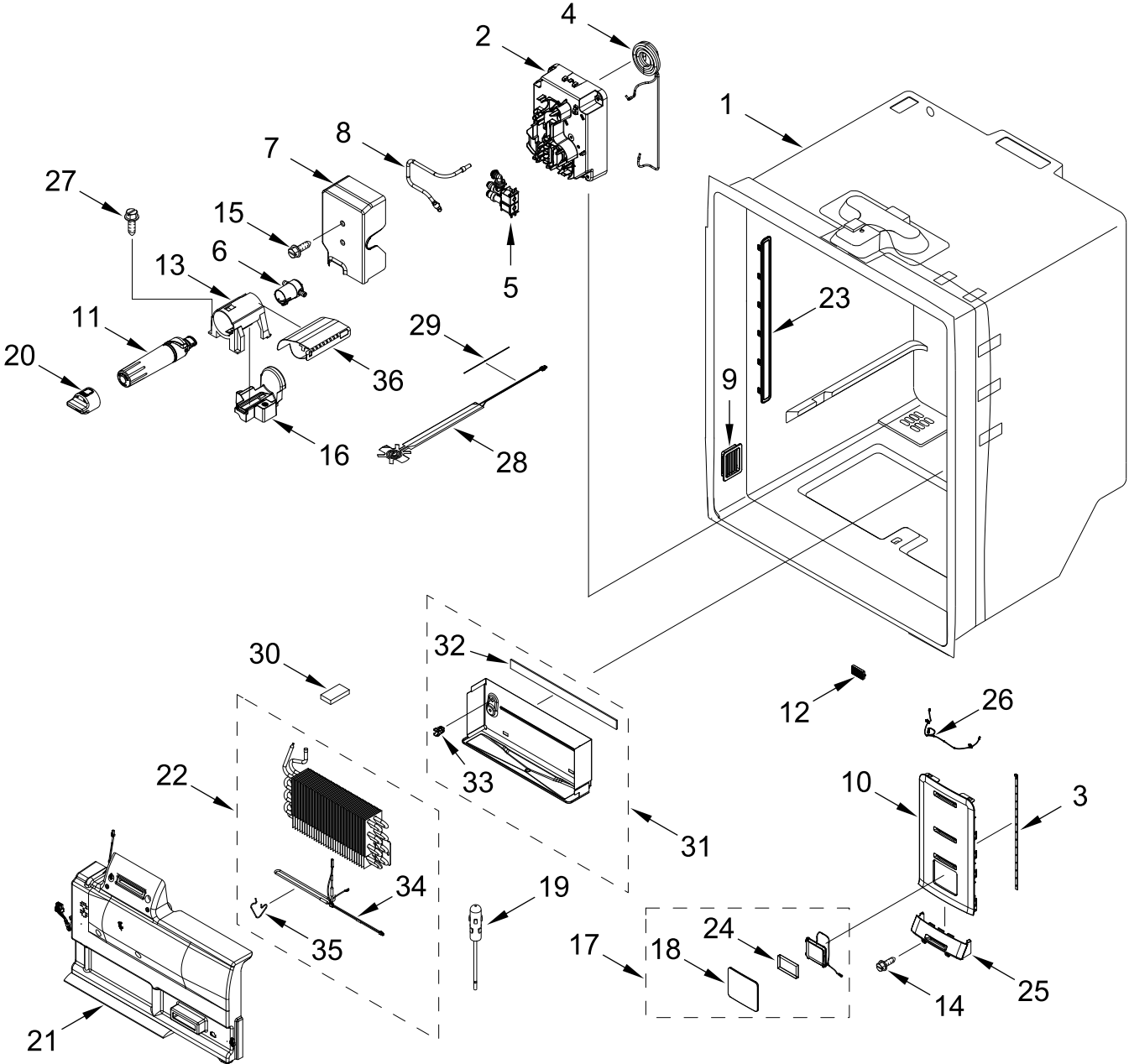
# CABINET PARTS



# CABINET PARTS

<u>Illus.</u> <u>No.</u>	<u>Part No.</u>	<u>Description</u>	<u>Illus.</u> <u>No.</u>	<u>Part No.</u>	<u>Description</u>	<u>Illus.</u> <u>No.</u>	<u>Part No.</u>	<u>Description</u>
1		Literature Parts	14	W10731474	Screw	30	W11502635	Cover, Unit
		Tech Sheet	15		Hinge, Center	31	M0108107	Clamp, Tube
	W11624280	English			Left Hand	32	W11518273	Tube, Icemaker Water (Includes Seal)
	W11624281	French		W10816322	Grey			
	W11509210	Owners Manual	16		Hinge, Center		W11391304	Tube, Dispenser Water (Includes Seal)
	W11112950	Energy Guide			Right Hand			
2	12990302	Screw		W10816323	Grey	33	W10768379	Lid, HV
3	W10840312	Block, Pivot	17		Cover, Corner	34	W10705239	Retainer, Door
4	W11503404	Pad, Sound		W10868482	Grey	35		Cabinet (Not a Servicable Part)
5	W11415098	Control, Electronic	18	W11422853	Valve, Water	36	549193	Clamp, Power Cord
6	W10415341	Gasket, HV Box	19	W11528491	Switch, Reed	37		Assembly, Inner Air Tunnel (Includes Gasket)
7		Assembly, Roller	20	W10709365	Screw			
	W11084045	Left Hand	21		Divider, Air			
	W11084046	Right Hand		W11466308	Rear		W10838745	Grey
8	W10846099	Brake, Roller		W10878920	Bottom	38	W11535396	Assembly, Hinge Wire
9	12990521	Screw		W11449545	Rear (Short)	39	W10208592	Cover, Valve
10		Hinge, Top	22		Grille, Toe	40	12990702	Screw
	W11032616	Left Hand		W10821309	Grey	41	W11243631	Gasket
	W11032620	Right Hand	23	12992601	Screw			
11	W10673840	Screw (Stainless)	24		Assembly, Outer Air Tunnel (Includes Gasket)			
12		Cover, Top Hinge		W10838744	Grey			
		Left Hand	25	W10141645	Screw			
		(Includes Foil)	26	12990511	Screw			
	W11528782	Grey	27	W10831587	Bushing			
13		Cover, Top Hinge	28	W10754144	Cover, Control Box			
		Right Hand	29	W10141645	Screw			
	W11535400	Grey						

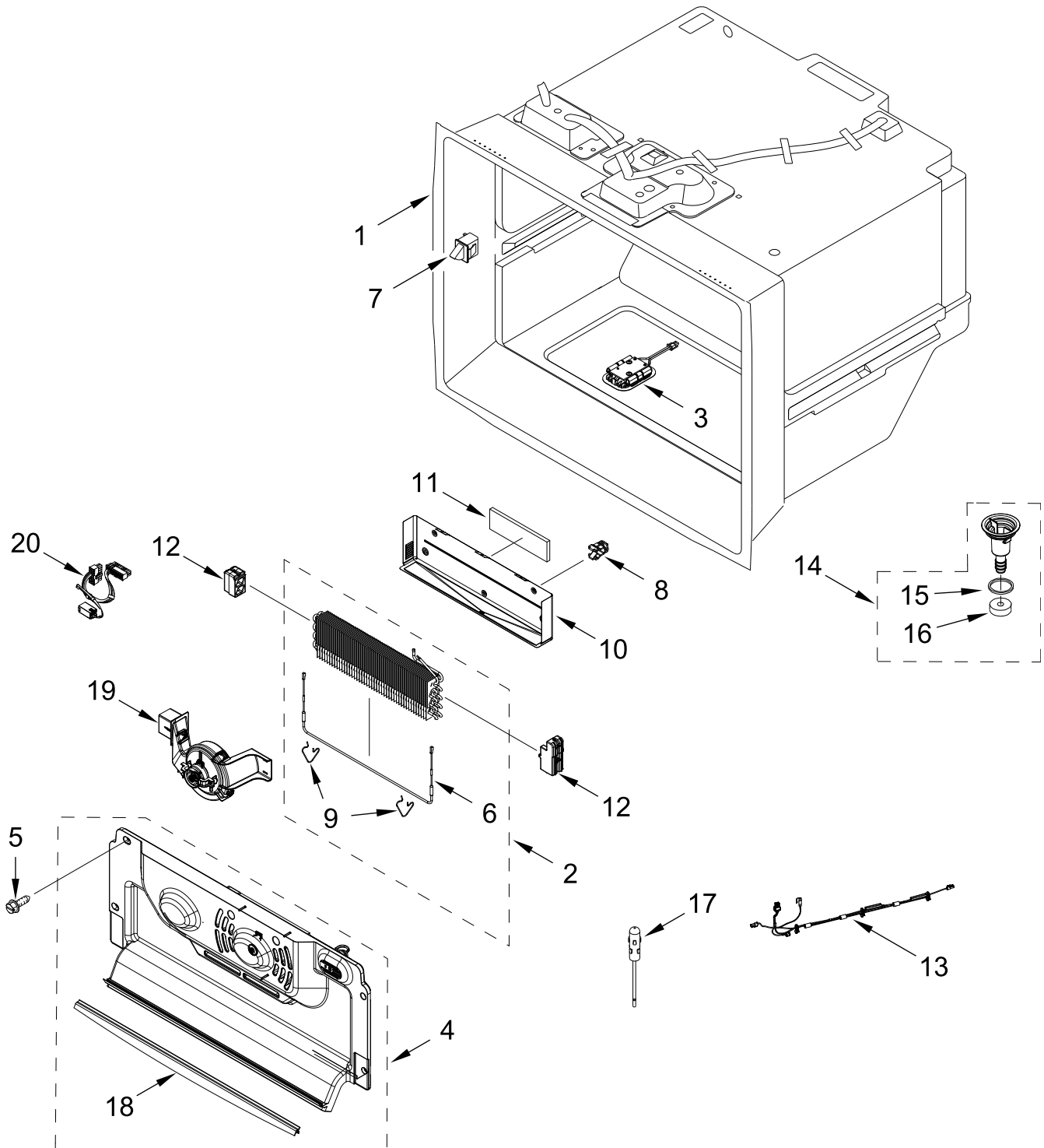
# REFRIGERATOR LINER PARTS



# REFRIGERATOR LINER PARTS

<u>Illus.</u> <u>No.</u>	<u>Part No.</u>	<u>Description</u>	<u>Illus.</u> <u>No.</u>	<u>Part No.</u>	<u>Description</u>	<u>Illus.</u> <u>No.</u>	<u>Part No.</u>	<u>Description</u>
1		Liner (Not A Serviceable Part)	18	W10856502	Cover, Air Filter	29	W10901792	Gasket, Sealing
2	W10708473	Housing, Water Tank	19	W10280385	Thermistor	30	W10818463	Gasket, Evaporator Air Dam
3	W10786645	Strip, LED	20	W10813883	Cap, Filter	31	W11090564	Assembly, Heat Shield
4	W11451365	Reservoir, Water (Includes Filter Heater, Wire Ties, and Sealing Gaskets)	21	W11475754	Assembly, Evaporator Cover (Includes Fan Motor, Wire Assembly and Thermistor)	32	W10921470	Gasket, Heat Shield
5	W11422857	Valve, Dual Water	22	W11337778	Assembly, Evaporator  (Also Order the Following Lokring Parts)	33	10623002	Clip, Evaporator
6	W11451366	Housing, Water Filter (Includes Filter Heater and Sealing Gaskets)		W11504450	4/1.8 NR MS 00 (Capillary Tube to Evaporator)	34	W11485746	Heater, Defrost
7	W10900011	Cover, Water Valve		W11506619	8 NK MS 00 (Suction Line to Evaporator)	35	W11493401	Clip, Evaporator Heater
8	W11517696	Tube, Water Filter				36	W11307147	Cover, Filter  FOLLOWING PARTS NOT ILLUSTRATED
9	W10815965	Cover, Cooling Duct					W11440889	Assembly, Valve Wire
10	W11259417	Cover, Tower						
11	W10680605	Filter, Water	23	W11443570	Strip, LED			
12	W10315189	Filter, Air	24	W10831305	Insulator, Foam			
13	W10708474	Bracket, Filter	25	W10815960	Base, Tower Cover			
14	W10119266	Screw	26	W10848895	Harness, Air Tower Jumper			
15	12990518	Screw	27	12990501	Screw			
16	W11348541	Insulation, Under Filter	28	W11503903	Heater, Filter			
17	W10817432	Assembly, Air Filter						

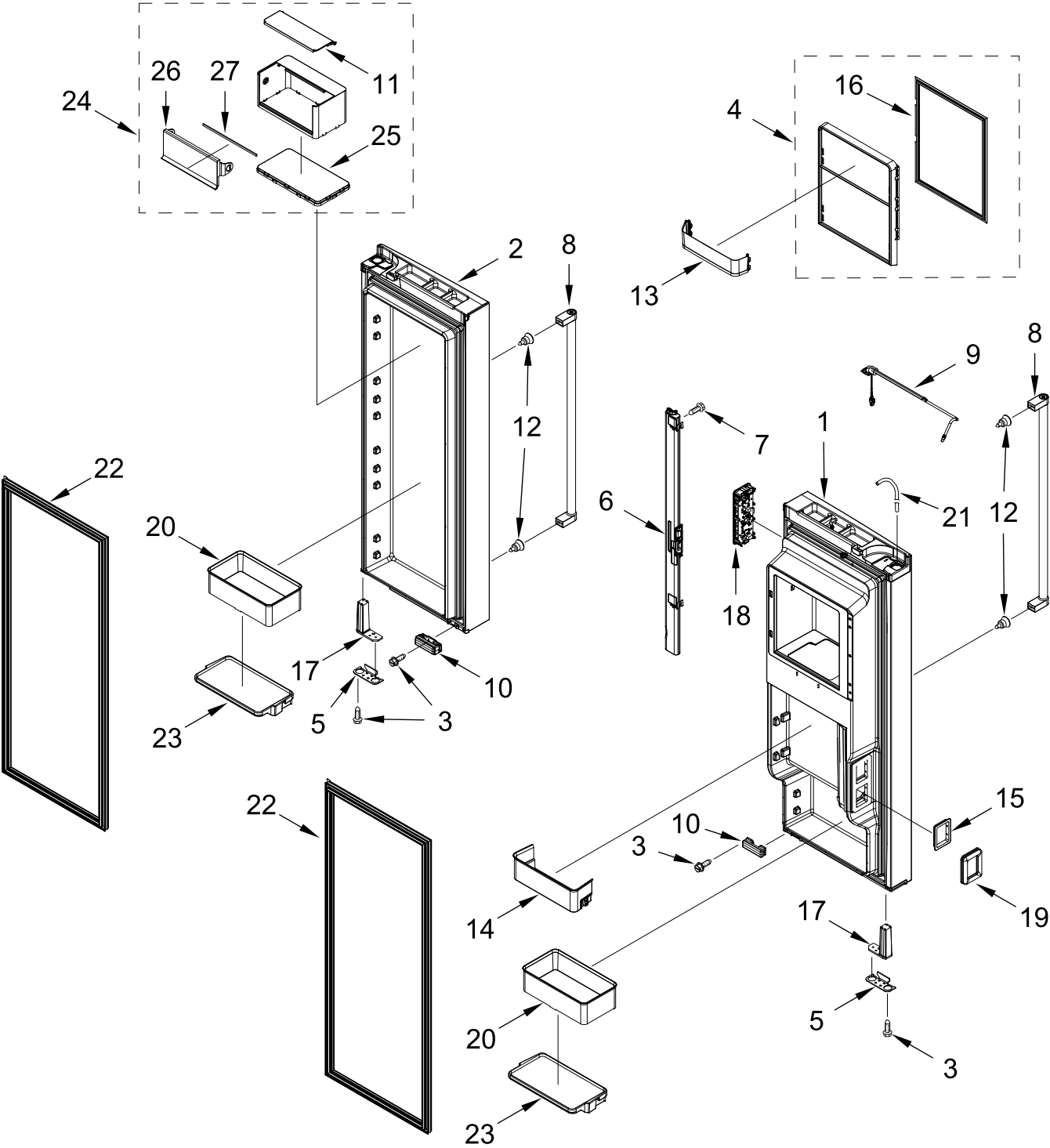
# FREEZER LINER PARTS



# FREEZER LINER PARTS

<u>Illus.</u> <u>No.</u>	<u>Part No.</u>	<u>Description</u>	<u>Illus.</u> <u>No.</u>	<u>Part No.</u>	<u>Description</u>	<u>Illus.</u> <u>No.</u>	<u>Part No.</u>	<u>Description</u>
1		Liner (Not A Serviceable Part)	4	W11209447	Assembly, Evaporator Cover (Includes Fan Motor and Wire Assembly)	13	W11410826	Assembly, Evaporator Heater Wire (Includes Thermistor)
2	W11394385	Assembly, Evaporator  (Also Order the Following Lokring Parts)	5	12990511	Screw	14	W10503218	Assembly, Drain Funnel
	W11506620	8 NK AL 00 (Capillary Tube to Evaporator - Cut/Splice on Aluminum portion of old Evaporator)	6	W11384694	Heater, Defrost	15	M0500703	Seal
			7	W10847855	Switch, Light	16	B8381501	Gasket, Drain
			8	10623002	Clip, Evaporator	17	W10797088	Thermistor
			9	W11459749	Clip, Defrost Heater	18	W10770923	Seal, Crisp Front
			10	W11483266	Shield, FC Heat	19	W11206828	Assembly, Icebox Fan
			11	W10683540	Gasket, Drip Tray Rear	20	W10911358	Assembly, Evaporator Jumper Wire
	W11506620	8 NK AL 00 (Suction Line to Evaporator)	12		Dam, Air			
				W11483265	Left Hand			
3	W11228040	Assembly, LED Light Module		W10668198	Right Hand			

# REFRIGERATOR DOOR PARTS

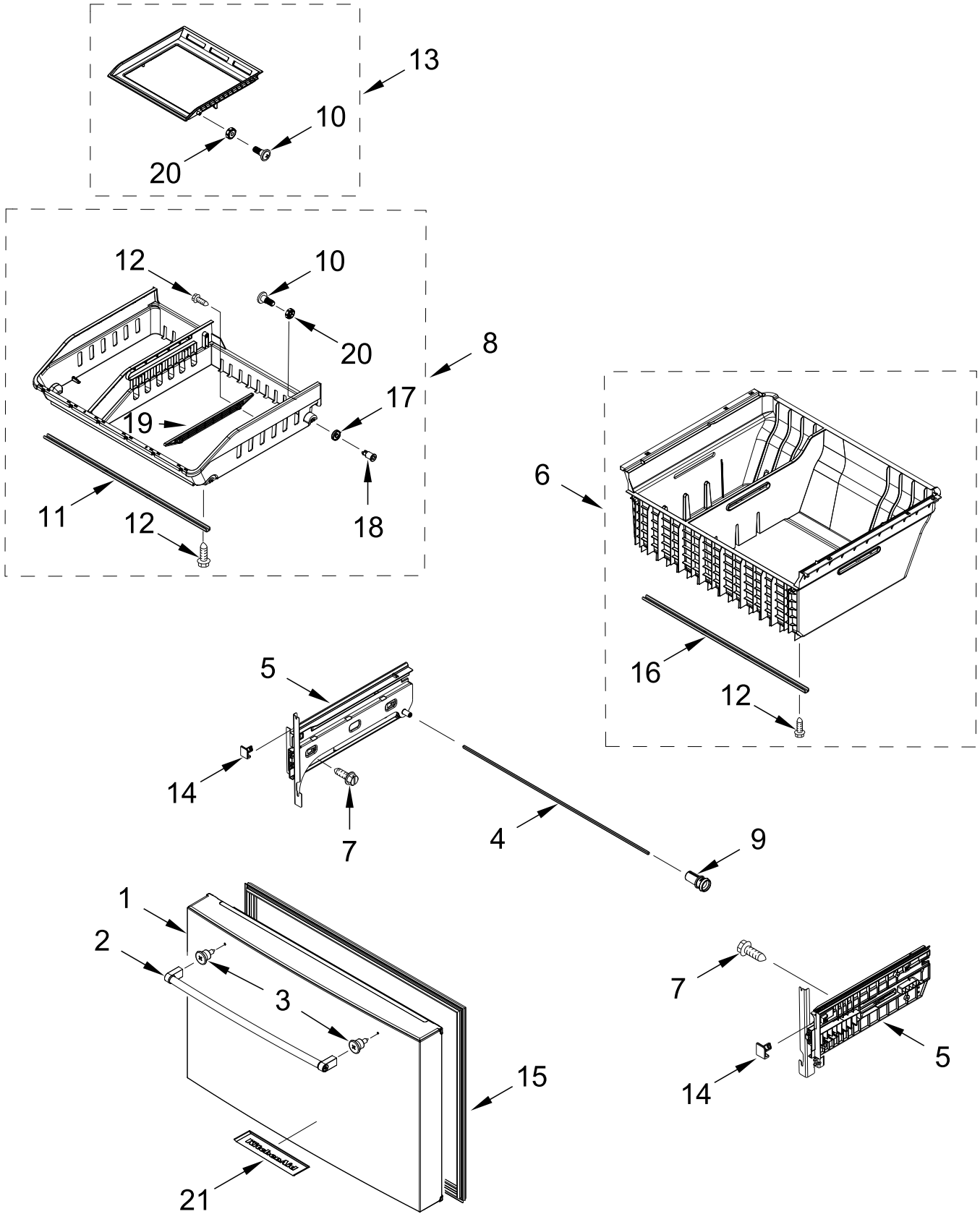




# REFRIGERATOR DOOR PARTS

<u>Illus. No.</u>	<u>Part No.</u>	<u>Description</u>	<u>Illus. No.</u>	<u>Part No.</u>	<u>Description</u>	<u>Illus. No.</u>	<u>Part No.</u>	<u>Description</u>
1		Door, Refrigerator Left Hand	9		Assembly, Fill Tube (Not Serviced, Included with LH Door)	18	W11423279	Assembly, Sparsh User Interface
	W11518053	Stainless (Also order item # 18)	10		Bumper, Door	19	W10828418	Gasket, Cooling Duct
				W10798308	Grey	20		Bin, Door
2		Door, Refrigerator Right Hand	11	W10795524	Lid, Utility Bin		W10776705	Gallon
	W11424492	Stainless	12	W11328753	Screw	21	W11518276	Tube, Dispenser Water
3	W10238319	Screw	13	W10795606	Trivet, Ice Compartment Door	22		Gasket, Door
4	W11554923	Assembly, Ice Door	14		Bin, Door		W10917313	Grey
5	W10763415	Bracket, Door Stop		W10806697	Medium	23	W10823512	Trim, Gallon
6		Mullion, Door	15	W10834282	Retainer, Door Duct	24	W10795526	Assembly, Utility Bin
	W11529693	Grey	16	W10853441	Gasket, Ice Door	25	W10795523	Base, Utility Bin
7	12990204	Screw	17		Closer, Door	26	W10803630	Door, Utility Bin (Includes Gasket)
8		Handle, Door		W10714907	Left Hand	27	W10795525	Gasket, Utility Bin
	W11339182	Stainless		W10714908	Right Hand			

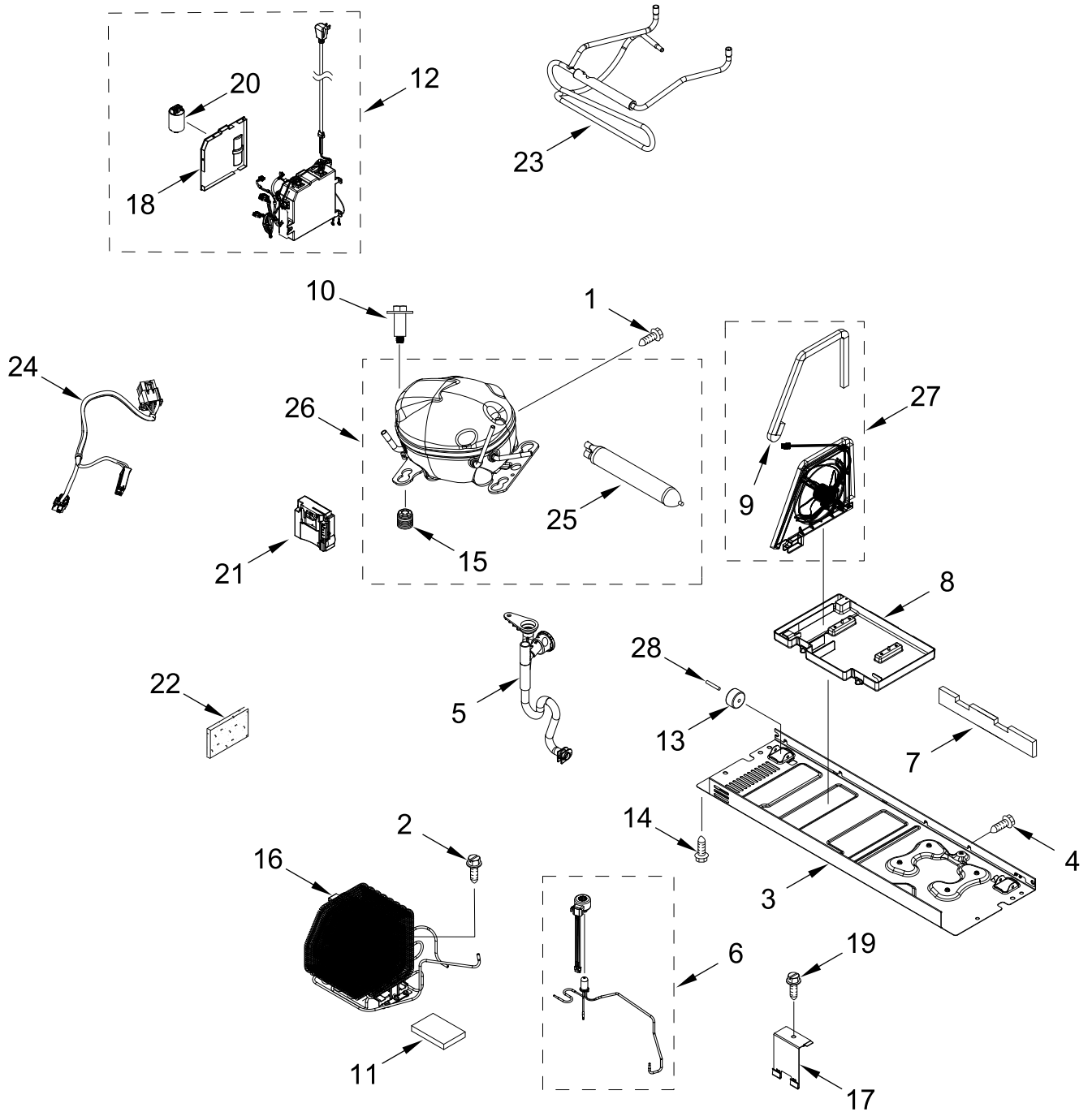
# FREEZER DOOR PARTS



# FREEZER DOOR PARTS

<u>Illus.</u> <u>No.</u>	<u>Part No.</u>	<u>Description</u>	<u>Illus.</u> <u>No.</u>	<u>Part No.</u>	<u>Description</u>	<u>Illus.</u> <u>No.</u>	<u>Part No.</u>	<u>Description</u>
1		Door, Freezer (Includes Door Gasket)	7	12990518	Screw	15		Gasket, Door
	W11424564	Stainless	8	W11102087	Assembly, Top Pan		W11563145	Grey
2		Handle, Door	9	W10277361	Collar, Gear	16	W10697812	Bar, Support
	W11357272	Stainless	10	12991401	Screw	17	W10874022	Roller
3	W11328753	Screw	11	W10469177	Support, Pan	18	W10839803	Axle, Roller
4	W10851956	Shaft, Rack	12	489443	Screw (Stainless)	19	W10830659	Rail, Guard
5		Assembly, Bracket	13	W10795835	Assembly, Upper Half Pan	20	W10837296	Roller
	W10795843	Left Hand	14		Stop, Pan	21	W10518672	Badge
	W10795847	Right Hand		W10795820	Left Hand			
6	W10795851	Assembly, Bottom Pan		W10795822	Right Hand			

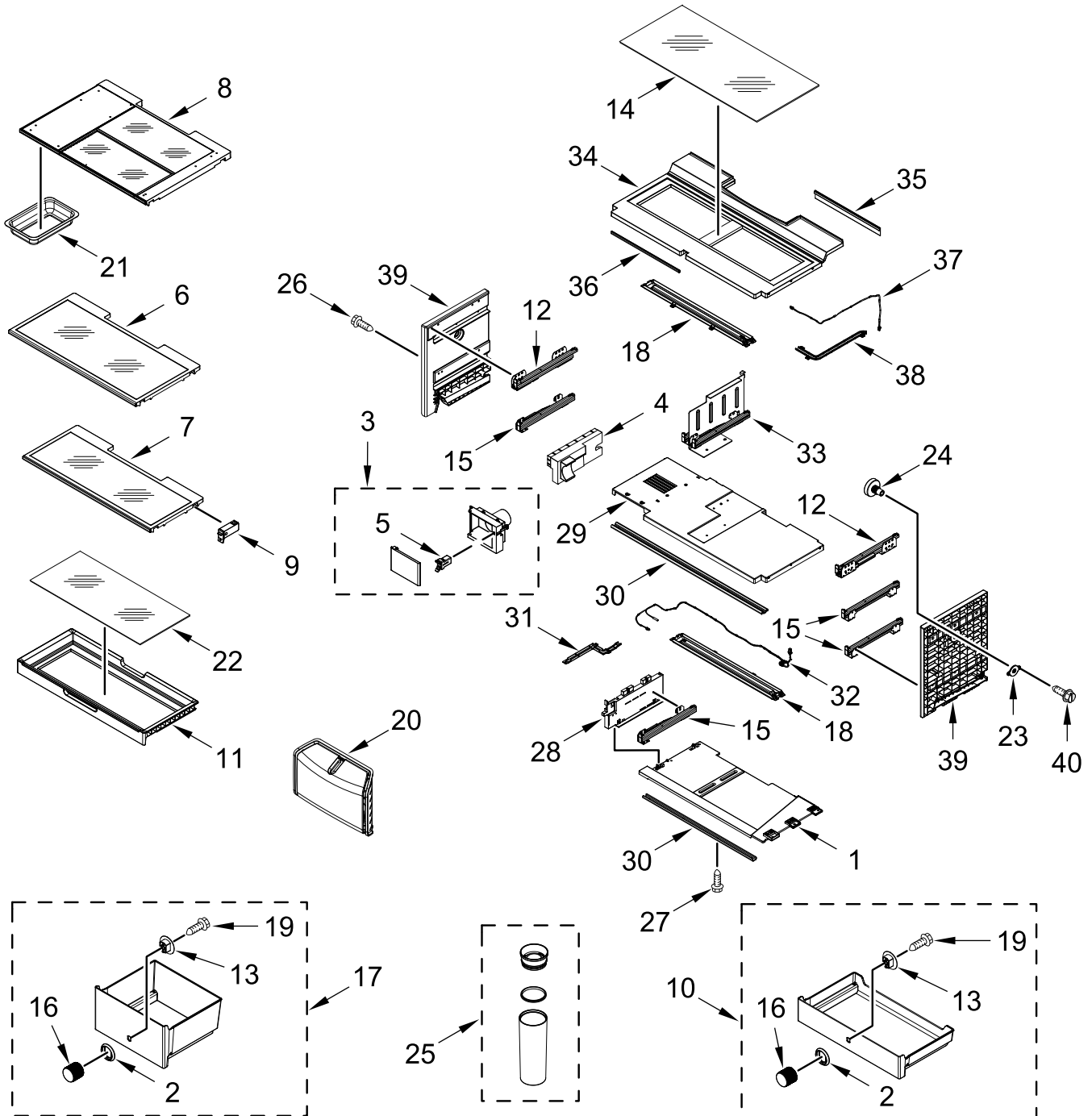
# UNIT PARTS



# UNIT PARTS

<u>Illus.</u> <u>No.</u>	<u>Part No.</u>	<u>Description</u>	<u>Illus.</u> <u>No.</u>	<u>Part No.</u>	<u>Description</u>	<u>Illus.</u> <u>No.</u>	<u>Part No.</u>	<u>Description</u>
1	W10141625	Screw	13	W10774846	Roller	25	W10805035	Drier (Service Drier Without Dye)
2	W10820084	Screw	14	12992101	Screw			
3	W11449163	Baseplate	15	10835903	Grommet			(Also Order the Following Lokring Parts)
4	12990511	Screw	16	W11485773	Condenser			
5	W10860180	Assembly, Drain Extension			(Also Order the Following Lokring Parts)		W11504445	5/4 NR MS 00 (Heat Loop to Drier)
6	W11507092	Assembly, 3 Way Valve		W11504445	5/4 NR MS 00 (Heat Loop to Condenser)		W11506623	5 NK MS 00 (3-Way Valve to Drier)
		(Also Order the Following Lokring Parts)		W11504431	7/5 NR MS 00 (Suction Line to Condenser)	26	W11515413	Compressor (Also Order the Following Lokring Parts)
	W11506625	3 NK MS 00 (3-Way Valve to RC Capillary Tube - Cut/Splice near old Valve body)	17	W10391376	Bracket, Valve		W11504431	7/5 NR MS 00 (Suction Tube to Compressor)
	W11506625	3 NK MS 00 (3-Way Valve to FC Capillary Tube - Cut/Splice near old Valve body)	18	W11198954	Cover, Housing		W11504415	8.5/8 NR MS 00 (High Pressure Side to Compressor)
	W11504445	5/4 NR MS 00 (3-Way Valve to Drier)	19	W10141645	Screw		W11506621	6 NK MS 00 (Charging Tube to Compressor)
7	W11492318	Pad, Sound	20	W10738041	Filter, EMI		W11506635	Tube, Charging (1/4" w/ Schrader Valve)
8	W11490557	Tray, Evaporator	21	W11515300	Assembly, Inverter Box	27	W11509191	Assembly, Condenser Fan
9	W10683708	Gasket, Condenser Fan	22	2169104	Insulation, Sound Deadening	28	12477202	Axle, Roller REFRIGERANT CHARGE 56 grams (R600a)
10	W11417341	Screw	23	W11599667	Assembly, Suction Tube			
11	2319835	Grommet, Condenser	24	W11440595	Harness, Unit (Condenser Fan)			
12	W11434429	Assembly, Orion Box(Include Wiring Harness for Compressor and Power Cord)						

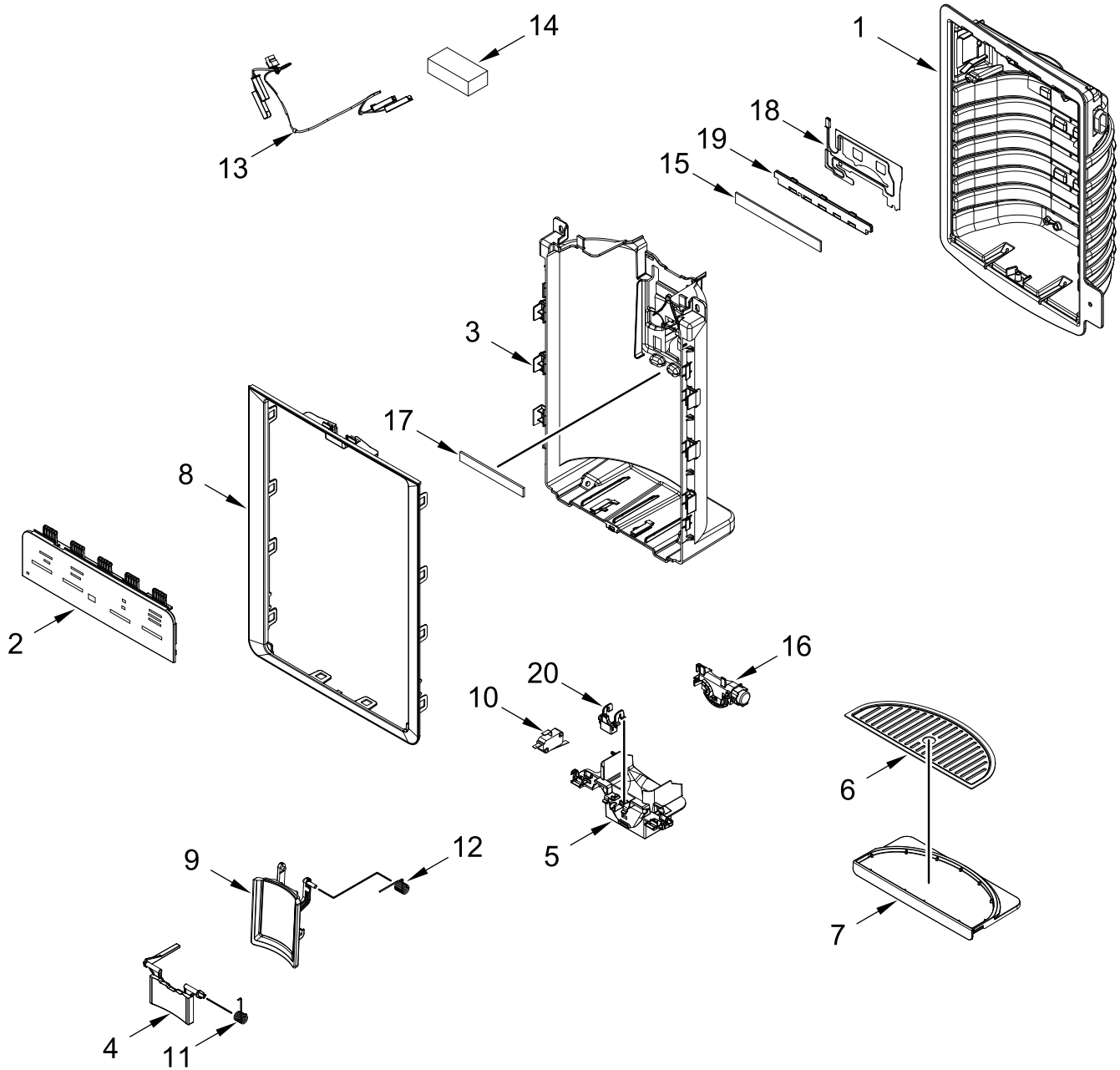
# SHELF PARTS



# SHELF PARTS

<u>Illus. No.</u>	<u>Part No.</u>	<u>Description</u>	<u>Illus. No.</u>	<u>Part No.</u>	<u>Description</u>	<u>Illus. No.</u>	<u>Part No.</u>	<u>Description</u>
1	W10794563	Base, Pantry	14	W10804533	Glass, Crisper Cover	30	W10794250	Bar, Support
2	W10696184	Ring, Handle	15		Glide, Crisper	31	W10834719	Cover, Wiring Harness
3	W11347069	Assembly, Filter Door		W10816001	Left Hand	32	W10779301	Assembly, Pantry Wire (Includes Thermistor)
4	W10792132	Insulation, Filter Housing		W10814857	Right Hand	33	W10794550	Assembly, Center Support
5	2223877	Latch, Push	16	W10903881	Handle	34	W10794547	Frame, Crisper Cover
6	W10793467	Assembly, 15" Full Shelf	17	W10918349	Assembly, Crisper Pan	35	W10794336	Gasket, Crisper Cover (Rear)
7	W11116719	Assembly, 12" Full Shelf	18	W10901221	Assembly, Light	36	W10794242	Gasket, Crisper Cover (Front)
8	W11367768	Assembly, Tuck Shelf	19	W10903879	Screw	37	W10835866	Jumper, Crisper LED
9		Assembly, Block	20	W10826105	Assembly, Produce Preserver	38	W10854845	Cover, Wiring Harness
	W10817922	Front Left/Back Right	21	W11444736	Pan, Under Shelf	39		Support, Side
	W10817921	Front Right/Back Left	22	W10794571	Glass, Platter		W10794553	Left Hand
10	W10898655	Pan, Pantry	23	W10840918	Flange, Side Support		W10794555	Right Hand
11	W11367790	Assembly, Platter Shelf	24	W10840920	Knob, Side Support	40	W10834285	Screw (Grey)
12		Glide, Platter	25	W10795580	Assembly, Herb Storage (Includes Lid and Gasket)			
	W10843722	Left Hand	26	W10847999	Screw			
	W10814862	Right Hand	27	W10804977	Screw			
13	W10663641	Spacer, Handle	28	W10794565	Support, Pantry			
			29	W10794557	Cover, Pantry			

# DISPENSER FRONT PARTS

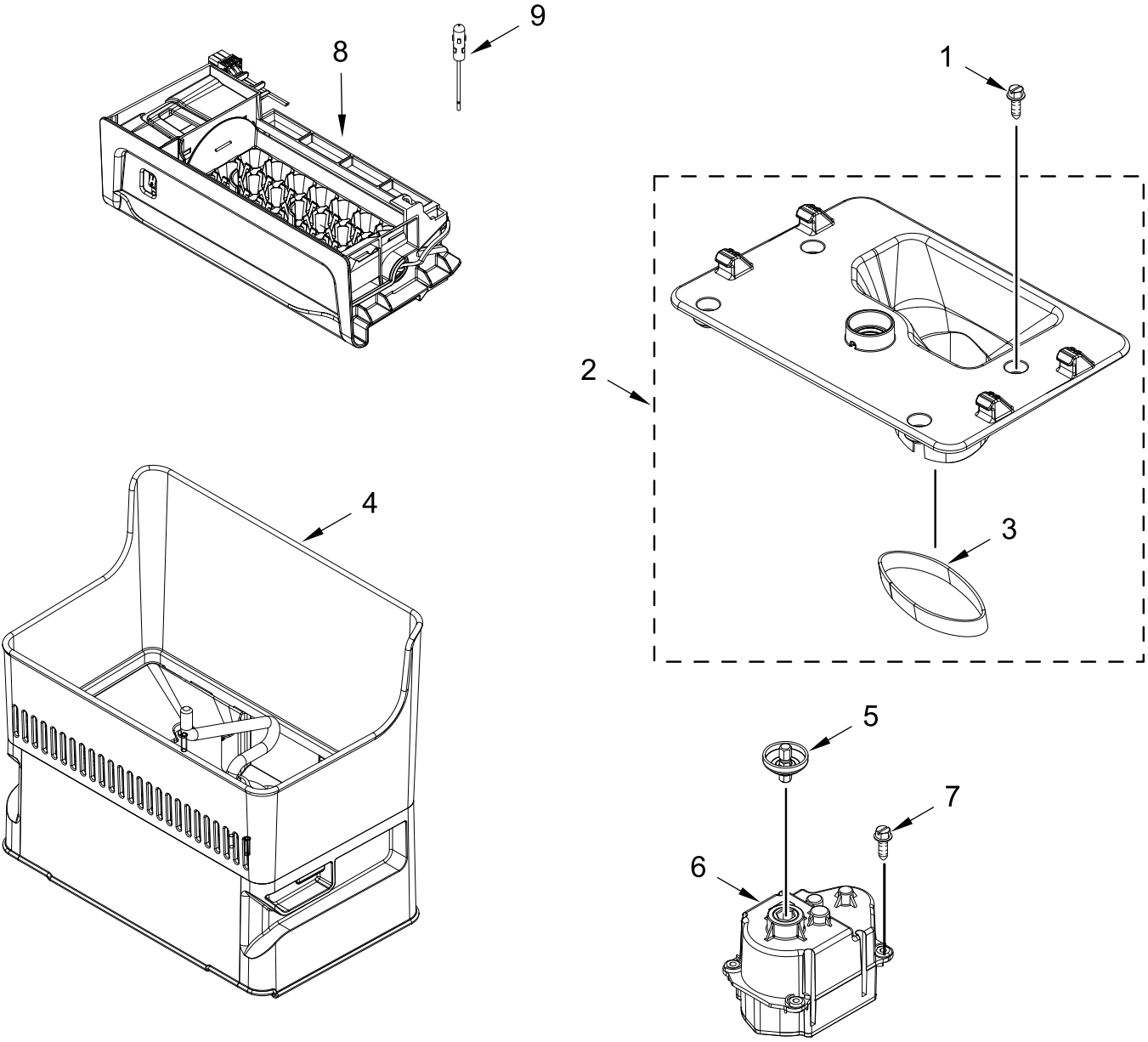




# DISPENSER FRONT PARTS

<u>Illus.</u> <u>No.</u>	<u>Part No.</u>	<u>Description</u>	<u>Illus.</u> <u>No.</u>	<u>Part No.</u>	<u>Description</u>	<u>Illus.</u> <u>No.</u>	<u>Part No.</u>	<u>Description</u>
1		Housing, Dispenser (Not Serviced)	7		Tray, Drip	15	W10696713	Gasket, User Interface Adapter
2	W11415168	Assembly, Triton User Interface	8	W10792138	Black	16	W10696704	Assembly, Ice Door Motor Bracket
3		Wall, Dispenser False	9	W10792136	Chrome	17	W10663699	Pad, Sound
	W10792135	Black		W10815345	Black	18	W10752689	Heater, Dispenser
4		Paddle, Water Dispenser	10	W10403752	Switch, Limit	19	W10757499	Bracket, User Interface Adapter
	W10889223	Chrome	11	W10672578	Spring, Torsion	20	W10809296	Guide, Light
5		Seperator	12	W10663682	Spring, Torsion			
	W10889235	Black	13	W10704135	Assembly, Paddle Jumper Wire			
6	W10837350	Grate, Drip	14	W10888235	Gasket			

# ICEMAKER AND ICE CONTAINER PARTS



# ICEMAKER AND ICE CONTAINER PARTS

<u>Illus.</u> <u>No.</u>	<u>Part No.</u>	<u>Description</u>	<u>Illus.</u> <u>No.</u>	<u>Part No.</u>	<u>Description</u>	<u>Illus.</u> <u>No.</u>	<u>Part No.</u>	<u>Description</u>
1	W10272364	Screw	5	W11363574	Shaft-Motor	8	W11391034	Icemaker Assembly
2	W10793257	Plate, Ice Chute	6	W11185741	Motor, Dispenser	9	W10280386	Thermistor
3	W10291905	Gasket	7	8281163	Screw (Stainless)			
4	W11476068	Ice Container Assembly						

# OPTIONAL PARTS

<u>Illus.</u> <u>No.</u>	<u>Part No.</u>	<u>Description</u>
		TOUCH-UP PAINT
W10134625		Apollo Grey
W10917540		Midnight Grey
		MISCELLANEOUS
212643		Sealer, Gum (4 Feet)
479502		Tape, Vinyl (3/4 x 108")
876370		Insulation (2 Pieces, 3" x 24" x 48")
876305		Insulation Kit (14 Pieces, 3" x 24" x 48")
978941		Insulation, Fiberglass (63 1/2" x 35 1/2" x 2 5/8")
876029		Kit, Foam Slab (30" x 32 1/2" x 1 1/2")
505587		Sealer, Mastic (1 Qt)
503695		Cork, Sealer
542638		Grease, Silicone (1/2 Oz.)
542639		Cement, Alumilastic (1 1/4 Oz.)
833938		Kit, Terminal Connector
8003RP		Kit, Water Inlet
		TORX SCREW WRENCH
1117510		Torx Key