



Stainless Steel  
KRFF302ESS

**Also available in:**

- White **KRFF302EWH**
- Black **KRFF302EBL**
- Black Stainless Steel with PrintShield™ Finish **KRFF302EBS**

**Capacity**

Total Capacity	22 cu. ft.
Refrigerator Capacity	16 cu. ft.
Freezer Capacity	6 cu. ft.

**General Features & Properties**

Produce Preserver
FreshChill™ Temperature-Controlled Full-Width Pantry
Humidity-Controlled Crispers
Slide-Away Split Shelf
Automatic Ice Maker
LED Lighting
Max Cool
ENERGY STAR® Certified
Metallic Accents on Shelf Trim

**Electrical Details**

Amps	15
Volts	120

**Certifications**

ENERGY STAR® Certified	Yes
------------------------	-----

**Technical Details**

Refrigerator Type	French Door
Number of Doors	3
Number of Interior Refrigerator Shelves	5
Number of Refrigerator Door Bins	2 Fixed, 3 Adjustable
Number of Interior Freezer Shelves	2 Wire
Lighting Type	LED
Ice Maker	Factory Installed
Ice Maker Location	Freezer
Dispenser Type	Interior Water

**Dimensions**

Product Dimensions (H x W x D)	70-1/8" x 32-7/8" x 34-1/2"
Depth with Door Open 90°	47-1/8"
Cutout Dimensions	Allow extra 1/2" on sides and top Allow extra 1" on rear

**Reference Material**

- [Dimension Guide](#)
- [Use & Care Guide](#)
- [Energy Guide](#)
- [Warranty](#)

**Key Features & Benefits**

**ExtendFresh™ Temperature Management System**

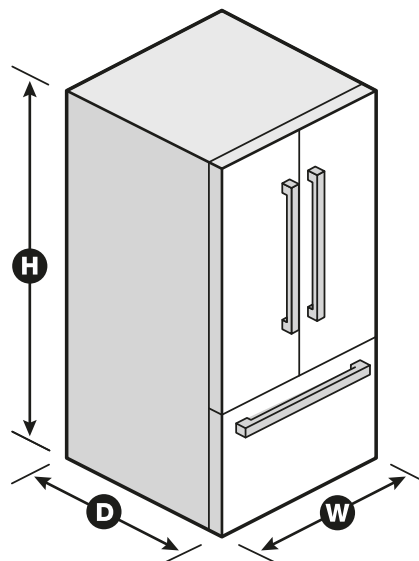
Separately monitors the temperatures in the refrigerator and freezer with sensors.

**Interior Water Dispenser**

Provides easy access to filtered water inside the refrigerator.

**Professionally-Inspired Design**

Features Satin Textured Handles with iconic KitchenAid Brand Medallions and a beautiful chrome frame.



NOTE: Dimensions are for planning purposes only. For complete details, see Installation Instructions packed with product. Specifications subject to change without notice.