



**All-Gas Range
KRG304
Parts List**

**Hestan Commercial Corporation
3375 E. La Palma Ave.
Anaheim, CA 92806
(888)905-7463**

RETAIN THIS FOR FUTURE REFERENCE

6

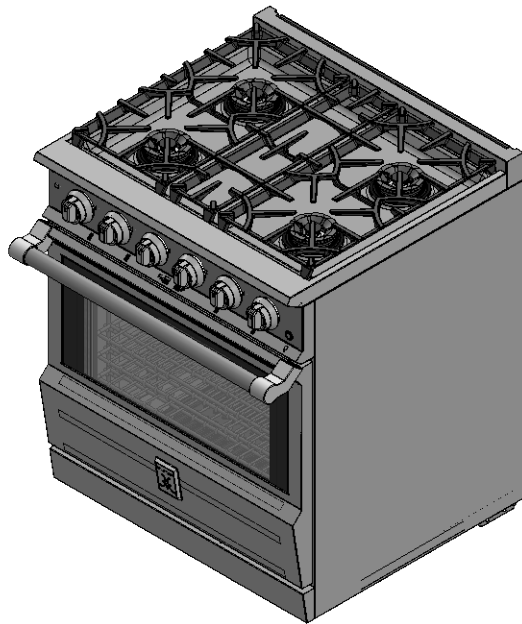
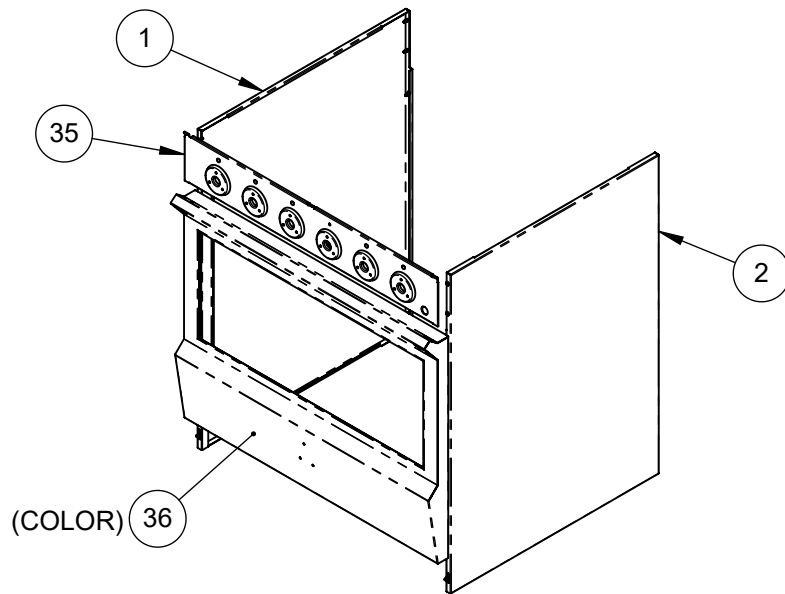
5

4

3

2

1



Color Extension (-XX)	Description
	Stainless Steel
-BK	Stealth - Black
-WH	Froth - White
-RD	Matador - Red
-YW	Sol - Yellow
-OR	Citra - Orange
-BG	Tin Roof - Burgundy
-PP	Lush - Purple
-BU	Prince - Blue
-GR	Grove - Green
-GG	Pacific Fog - Graphite Gray
-TQ	Bora Bora - Turquoise

SEE SHEET 12 FOR PARTS LIST

HESTAN

PROPRIETARY
NO PART OF THIS DOCUMENT MAY BE REPRODUCED,
STORED IN A RETRIEVAL SYSTEM, OR TRANSMITTED IN
ANY FORM, WITHOUT THE WRITTEN PERMISSION OF
Hestan Commercial Corporation. THIS DOCUMENT OR ANY
COPIES SHALL BE RETURNED UPON WRITTEN REQUEST.

DESCRIPTION

SERVICE - RANGE, 4 BURNER, ALL-GAS, 30"

DRAWING NO

KRG304-SERVICE

REVISION

E

SHEET NO.

1 OF 15

6

5

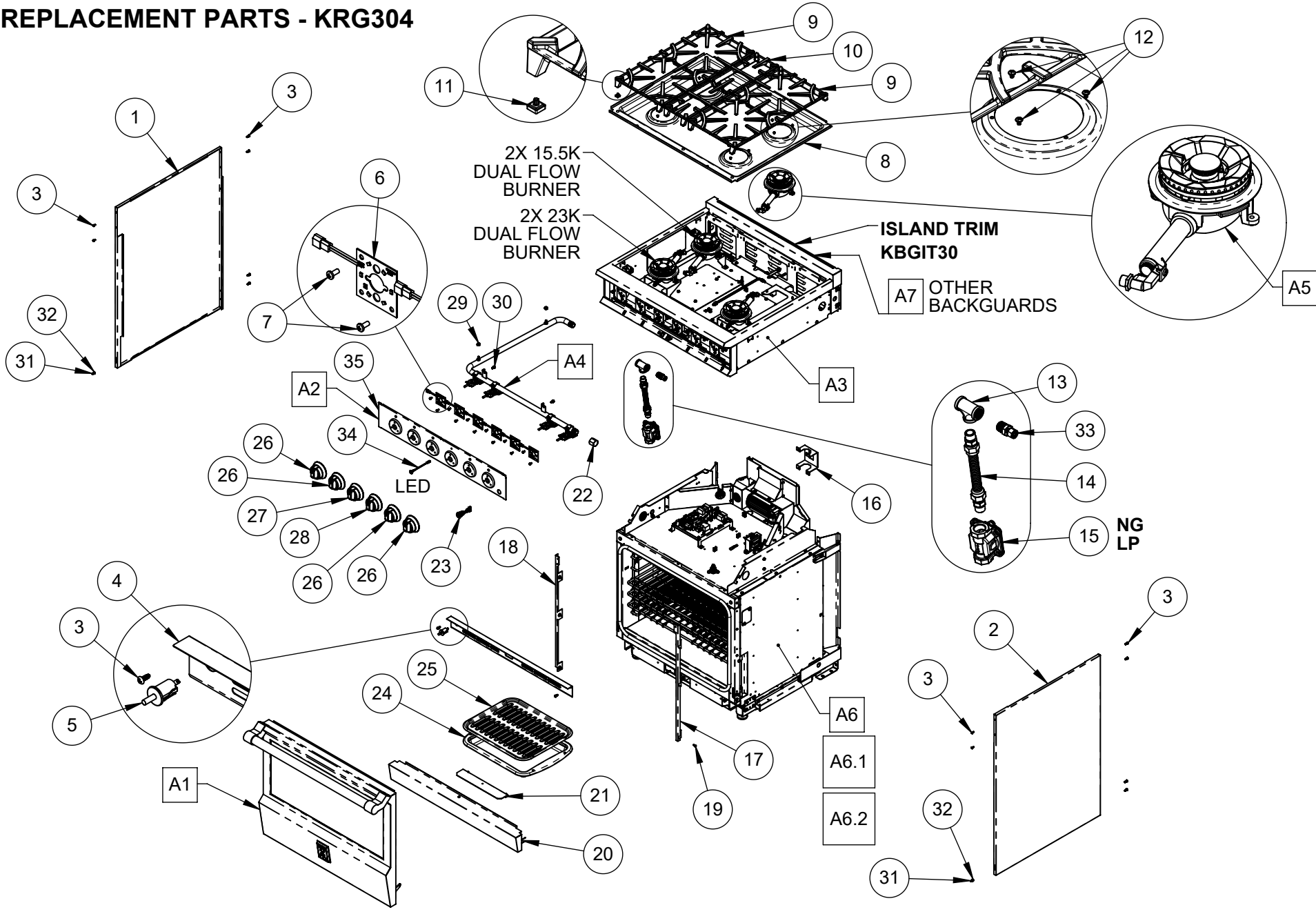
4

3

2

1

REPLACEMENT PARTS - KRG304



SEE SHEET 12 FOR PARTS LIST



PROPRIETARY
NO PART OF THIS DOCUMENT MAY BE REPRODUCED,
STORED IN A RETRIEVAL SYSTEM, OR TRANSMITTED IN
ANY FORM, WITHOUT THE WRITTEN PERMISSION OF
Hestan Commercial Corporation. THIS DOCUMENT OR ANY
COPIES SHALL BE RETURNED UPON WRITTEN REQUEST.

DESCRIPTION
SERVICE - RANGE, 4 BURNER, ALL-GAS, 30"

DRAWING NO

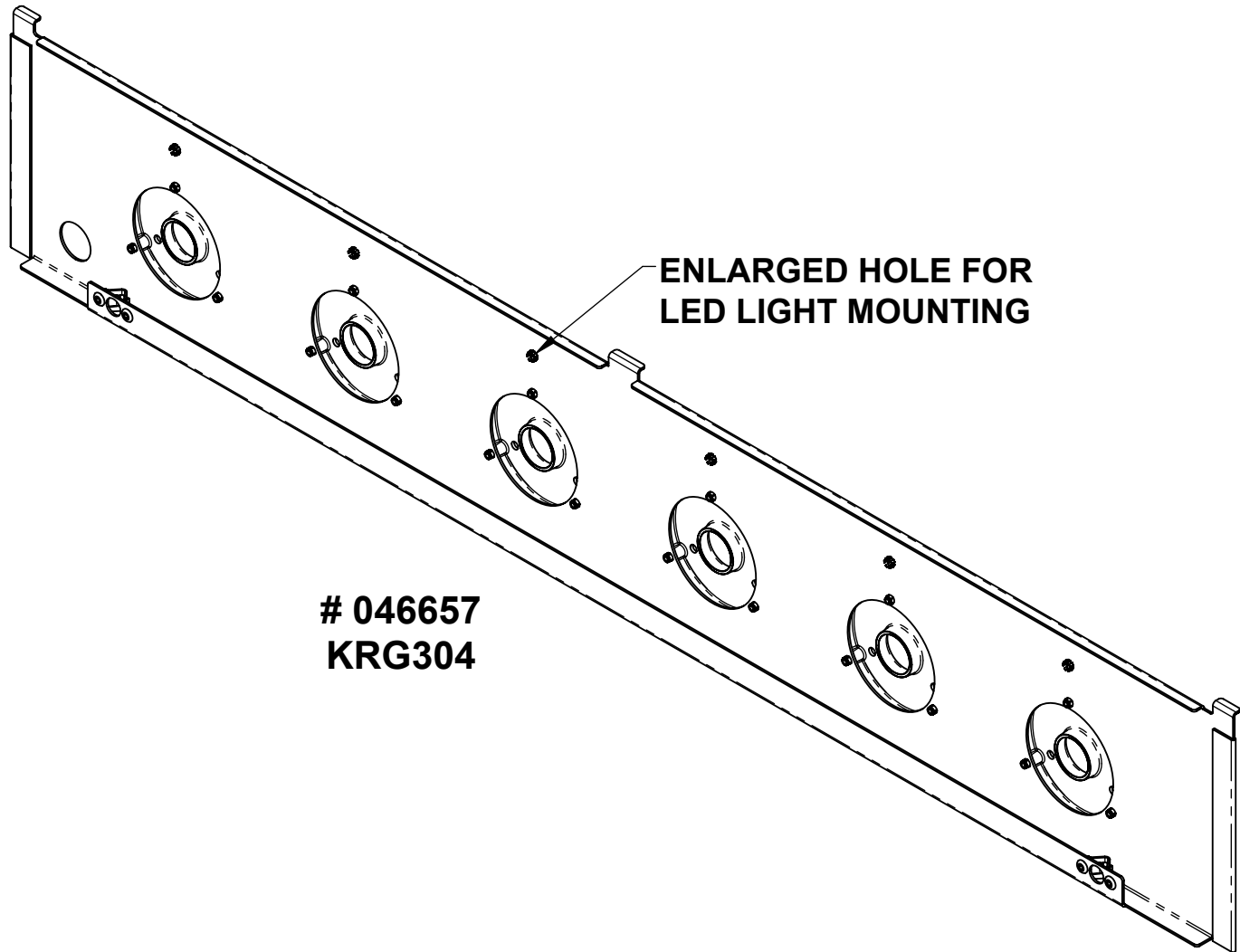
KRG304-SERVICE

REVISION

E

SHEET NO.

2 OF 15

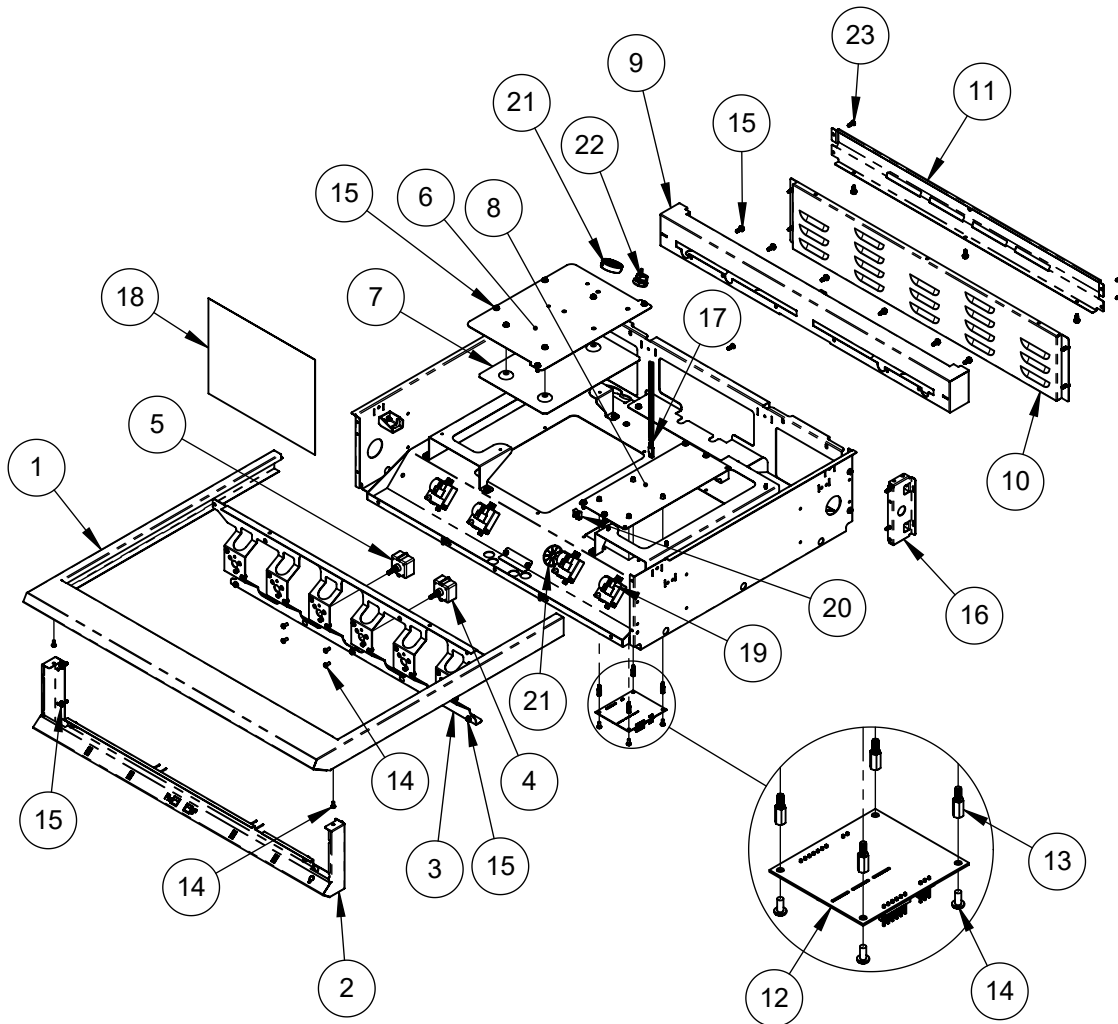


046657
KRG304

ENLARGED HOLE FOR
LED LIGHT MOUNTING

 HESTAN

DESCRIPTION	SERVICE, ASSY, CONTROL PANEL INSERT, 30" RANGE
DRAWING NO	A2

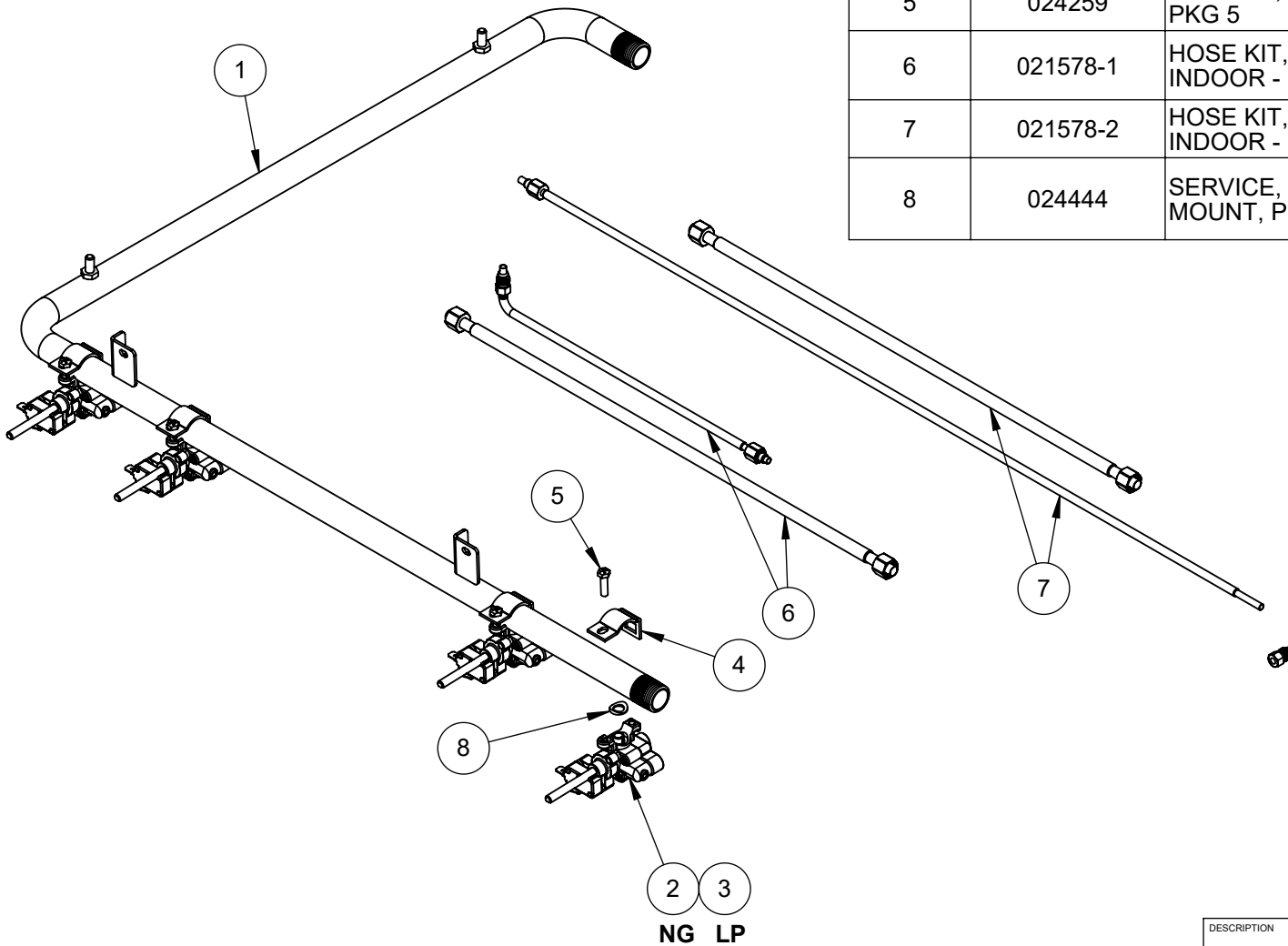


ITEM NO.	PART NO.	DESCRIPTION	QTY.
1	026433	BULLNOSE, RANGETOP, WA - 30	1
2	026442	CONTROL PANEL, CHIN, ASSY - 30	1
3	026478	CROSSMEMBER, FRONT, FRAME, RANGETOP - 30	1
4	024398	SELECTOR, 2 POSITION, RESIDENTIAL INDOOR	1
5	024399	SELECTOR, 8 POSITION, RESIDENTIAL INDOOR	1
6	019412	COVER, OVEN ACCESS, RANGETOP	1
7	020821	HEAT SHIELD, LEFT, INDOOR OVEN	1
8	020750	PLATE, MOUNTING, ISOLATOR BOARD	1
9	033013	RISER, ISLAND, INNER SIDE MOUNT, RESIDENTIAL INDOOR - 30	1
10	028253	REAR COVER, 30" RANGETOP	1
11	028252	COVER, RISER, ISLAND, RESIDENTIAL INDOOR - 30	1
12	019678	LED DRIVER / ISOLATOR BOARD	1
13	024507	SERVICE, STANDOFF, MALE-FEMALE, 1/2"L, #8-32, PKG. 4	1
14	011857	SERVICE, MS, 8-32 X .375, PH, PAN, SS, PKG 6	1
15	024263	SERVICE, SMS, #10-24 X .50, HEXWSH, TYPE F, SS, PKG 10	2
16	032936	BRACKET, MOUNTING, RISER, REAR ACCESS, RANGETOP	2
17	028308	HARNESS, WIRE, RANGETOP/RANGE, 304 (VW-1/FT1)	1
18	029579	WIRING DIAGRAM, 304 ALL GAS RANGE	1
19	032028	MODULE, RE-IGNITER, SINGLE POINT, RI 120F-1, 120V, 3mA	4
20	033830	SERVICE, CABLE HOLDER, PUSH IN, 3/8" DIAMETER, PKG. 6	1
21	018393	SNAP BUSHING, 1.06" MAX ID, BLACK	2
22	005862	STRAIN RELIEF, SNAP-IN, 3/4" KNOCKOUT	1
23	010242	SERVICE, SMS, #10-24 X 1/2, PH, PAN, TYPE F, SS, PKG 10	1

HESTAN

DESCRIPTION **SERVICE, RANGE TOP ASSY, ALL-GAS, 30"**
DRAWING NO **A3**

BOM			
ITEM NO.	PART NUMBER	DESCRIPTION	QTY.
1	026078	MANIFOLD, INDOOR, 484 RANGE	1
2	031680	VALVE, DUAL FLOW, RESIDENTIAL INDOOR - NG	4
3	031681	VALVE, DUAL FLOW, RESIDENTIAL INDOOR - LP	4
4	018077	CLAMP, GAS VALVE, RESIDENTIAL INDOOR	4
5	024259	SERVICE, MS, M5 X 0.8 X 18, HEXHD, SS, PKG 5	1
6	021578-1	HOSE KIT, DUAL FLOW, RESIDENTIAL INDOOR - FRONT	2
7	021578-2	HOSE KIT, DUAL FLOW, RESIDENTIAL INDOOR - REAR	2
8	024444	SERVICE, GASKET, VALVE, SADDLE MOUNT, PKG 6	1



HESTAN

**SERVICE, MANIFOLD
ASSEMBLY, 30"**

DESCRIPTION

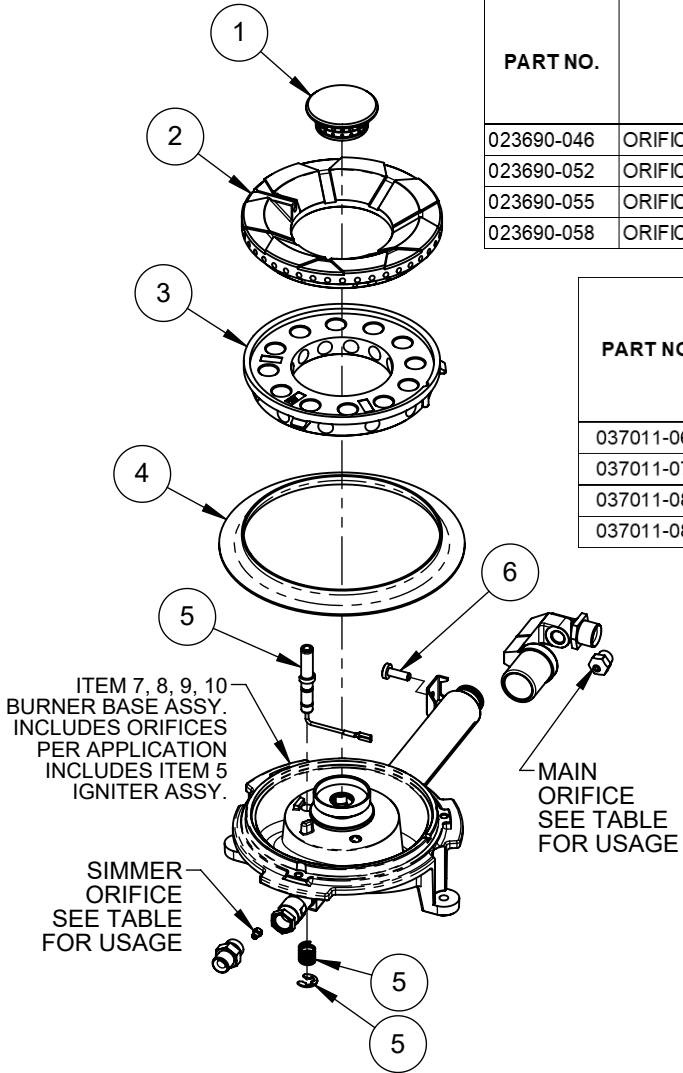
DRAWING NO

A4

PART NO.	SIMMER ORIFICES	Z (IN)	Z (MM)	STAMP	COLOR CODE	15.5k Dual Flow BURNER		23k Dual Flow BURNER	
						NG	LP	NG	LP
023698-073	ORIFICE, SIMMER, DUAL FLOW BURNER, INDOOR, #73	0.024	0.61	V	BLACK	X		X	
023698-078	ORIFICE, SIMMER, DUAL FLOW BURNER, INDOOR, #78	0.016	0.41	T	RED		X		X

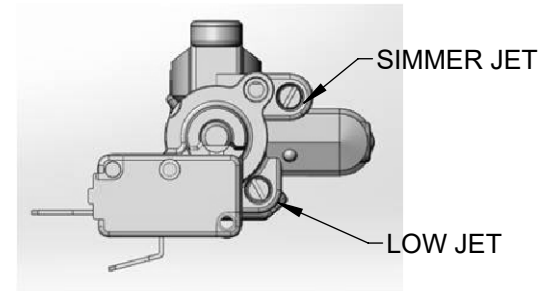
PART NO.	MAIN ORIFICES	Z (IN)	Z (MM)	STAMP	COLOR CODE	15.5k Dual Flow BURNER		23k Dual Flow BURNER	
						NG	LP	NG	LP
023690-046	ORIFICE, MAIN, DUAL FLOW BURNER, INDOOR, #46	0.081	2.05	-	YELLOW, BLACK			X	
023690-052	ORIFICE, MAIN, DUAL FLOW BURNER, INDOOR, #52	0.064	1.60	-	WHITE, BLACK	X			
023690-055	ORIFICE, MAIN, DUAL FLOW BURNER, INDOOR, #55	0.052	1.32	-	YELLOW, RED				X
023690-058	ORIFICE, MAIN, DUAL FLOW BURNER, INDOOR, #58	0.042	1.07	-	WHITE, RED		X		

PART NO.	VALVE ORIFICES (JETS)	Z (IN)	Z (MM)	COLOR CODE (COPRECI)	COLOR CODE (ISPHORDING)	Dual Flow VALVE Low Orifice		Dual Flow VALVE Simmer Orifice	
						NG	LP	NG	LP
037011-065	KIT, ORIFICE, VALVE, INDOOR, #65	0.035	0.88	-	BLACK	X			
037011-073	KIT, ORIFICE, VALVE, INDOOR, #73	0.024	0.61	-	RED		X		
037011-080	KIT, ORIFICE, VALVE, INDOOR, #80	0.0135	0.34	-	YELLOW			X	
037011-087	KIT, ORIFICE, VALVE, INDOOR, #87	0.010	0.25	-	WHITE				X



DUAL BURNER ASSY.

ITEM NO.	PART NO.	DESCRIPTION	QTY.
1	018436	D-INNER BURNER HEAD, DUAL FLOW, RESIDENTIAL INDOOR	1
2	018419	D-DUAL BURNER HEAD, DUAL FLOW, RESIDENTIAL INDOOR	1
3	018418	D-CROSS RING, DUAL FLOW, RESIDENTIAL INDOOR	1
4	018421	D-BEAUTY RING, DUAL FLOW, RESIDENTIAL INDOOR	1
5	024189	SERVICE, IGNITOR KIT, DUAL FLOW BURNER	1
6	024244	SERVICE, MS, M4 X 12, SEALED BURNER, PKG 4	1
7	020399	BURNER BASE ASSY, DUAL FLOW, 23K - NG	2
8	020401	BURNER BASE ASSY, DUAL FLOW, 23K - LP	2
9	020400	BURNER BASE ASSY, DUAL FLOW, 15.5K - NG	2
10	020402	BURNER BASE ASSY, DUAL FLOW, 15.5K - LP	2

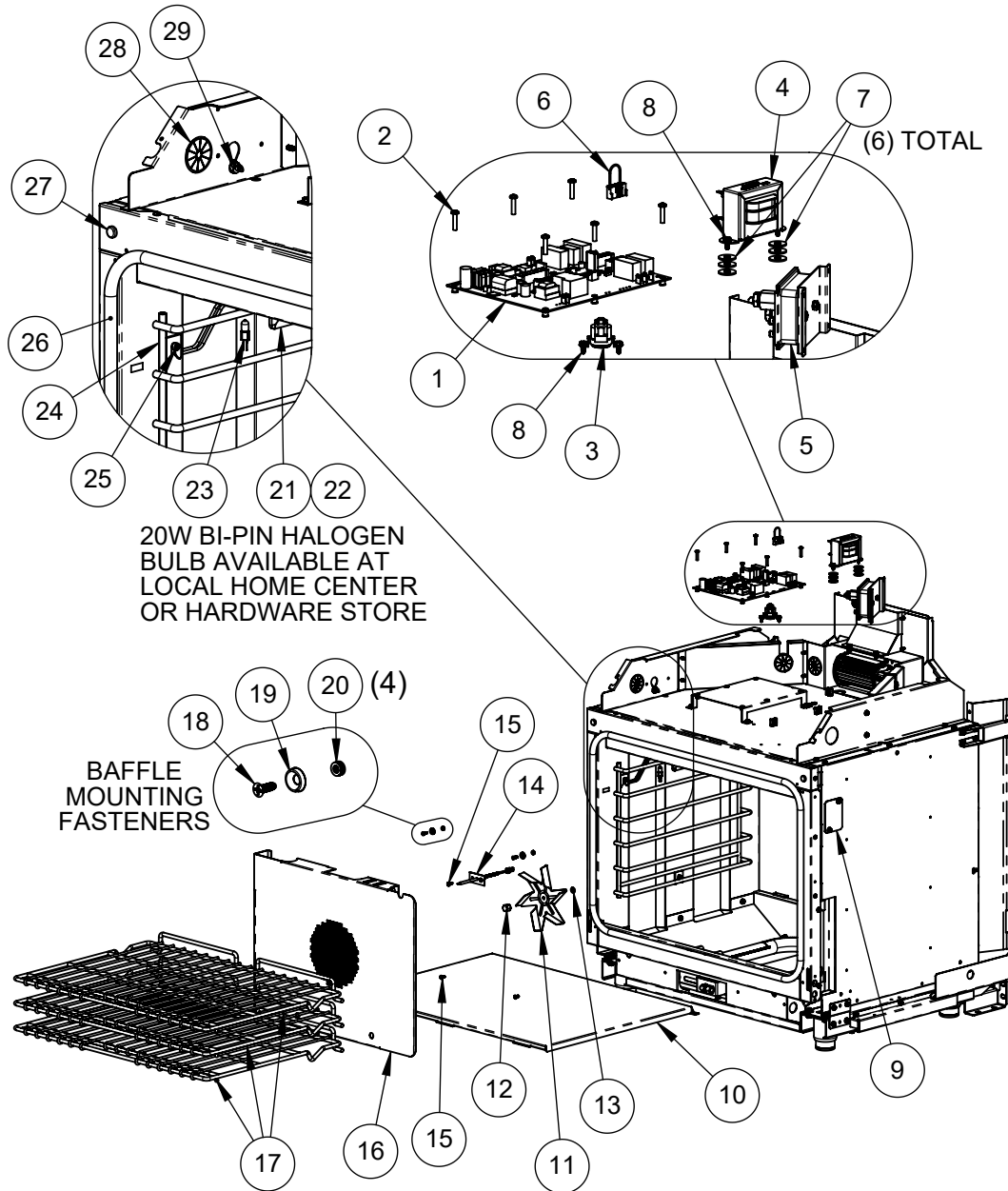


 **HESTAN**
SERVICE, DUAL FLOW BURNER ASSY.
A5

DESCRIPTION

DRAWING NO

REPLACEMENT PARTS - KRG304



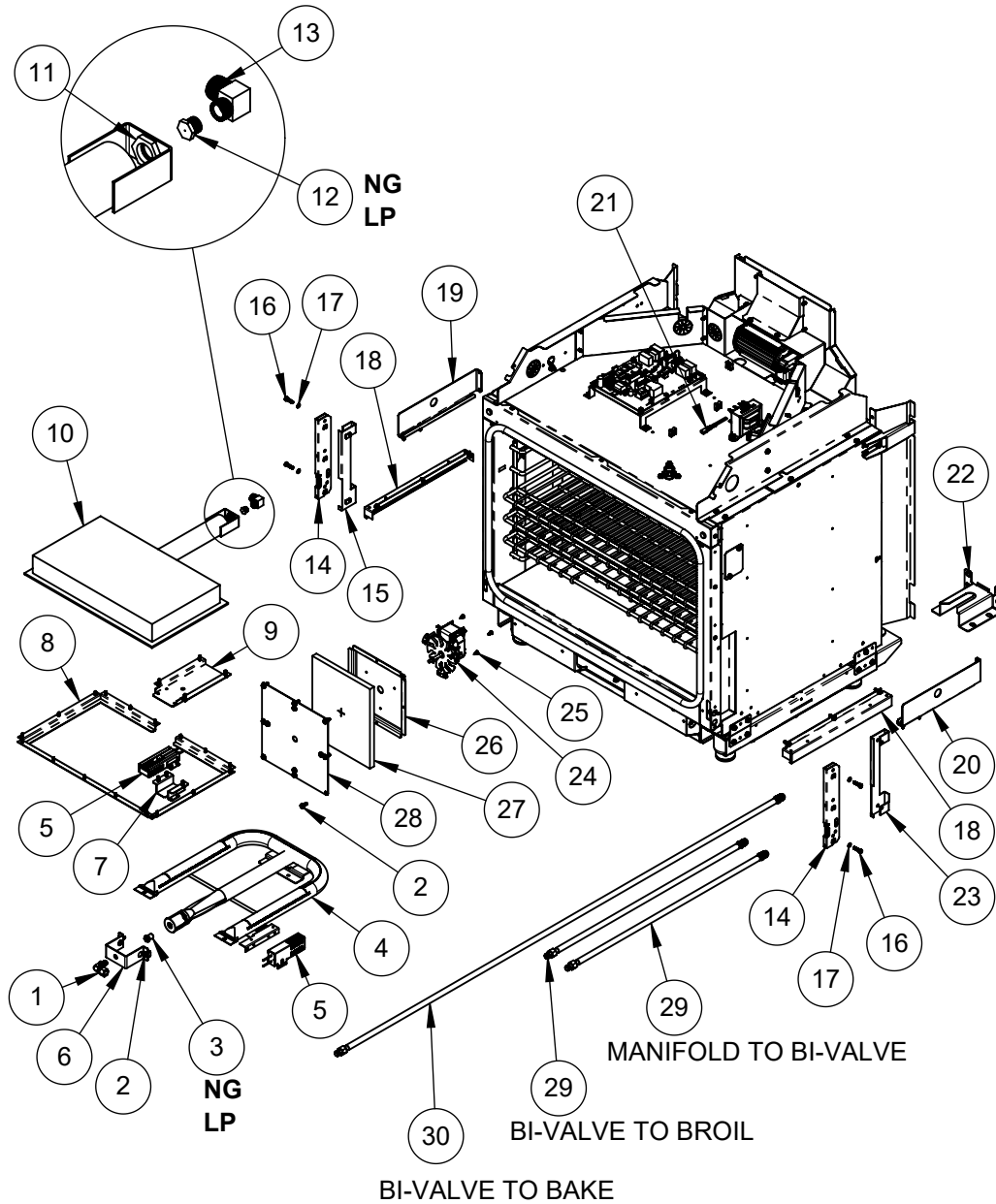
ITEM NO.	PART NO.	DESCRIPTION	QTY.
1	027007	RELAY BOARD, ELAN, EOC-U DEPOP	1
2	014457	SERVICE, MS, 8-32 X .75, PH, PAN, SS, PKG 4	1
3	018024	SWITCH, HI-LIMIT	1
4	032239	TRANSFORMER, 40VA, 120VAC TO 12/24V, CLASS 2	1
5	036354	GAS ASSY, DOUBLE, ALL-GAS OVEN	1
6	020720-04	MODEL HEADER, EOCU BOARD	1
7	010201	SERVICE, WSH, FLAT, 9/32 (.281 X .750 X .060), FIBER, PKG 8	1
8	011852	SERVICE, SMS, #8-32 X 3/8, PH, PAN, TYPE F, SS, PKG 4	1
9	018864	ACCESS PANEL, MEAT PROBE, 36" RANGE	2
10	028695-BK	BOTTOM, COVER, FLAME SPREADER, 30 GAS OVEN - BLACK	1
11	017917	BLADE, CONV FAN, 152mm	1
12	017918	NUT, HEX, 1/4-28, CONV. FAN, RANGE	1
13	018860	WASHER, FLAT, M6	1
14	018092	RTD PROBE, W/FLANGE, AMP CONNECTOR	1
15	024256	SERVICE, SMS, #8 X 1/2, PH, ROUND, BLK-OXIDE, SS, PKG 4	1
16	023862-BK	BAFFLE, CONVECTION, PORCELAINED, LARGE OVEN, 48" RANGE	1
17	028687	RACK, NO SLIDES, INDOOR OVEN, 30"	3
18	021173	SMS, #8-32 X 1/2, FLT, PH, TYPE F, SS	2
19	021171	WSH, C'SUNK, #8, SS	2
20	021172	WSH, FLAT, #8 (.169 X .304 X .032), SS	8
21	024352	SERVICE, LENS, LAMP, HALOGEN, 12V 20W, 65 X 80 mm	1
22	017916	ASSY, LAMP, HALOGEN, 12V 20W, 65 X 80 mm	2
23	018142	SERVICE, BULB, HALOGEN, G4 BI-PIN, 20W, PKG 2	1
24	018230	RACK, LADDER, LH & RH, RANGE, W/A	2
25	017446	SB, #8-32 X 3/16 DIA X 1/4L, SS, PKG 2	1
26	023845	GASKET ASSY, CELL, OVEN, LARGE OVEN, 48" RANGE	1
27	010197	SERVICE, BUMPER, RUBBER, .50 DIAM. X .250 H, PKG 4	1
28	018393	SNAP BUSHING, 1.06" MAX ID, BLACK	1
29	018555	STRAIN RELIEF, SNAP-IN, 1/2" KNOCKOUT	1



DESCRIPTION	SERVICE, OVEN ASSEMBLY, ALL-GAS, 30"
DRAWING NO	

A6

REPLACEMENT PARTS - KRG304



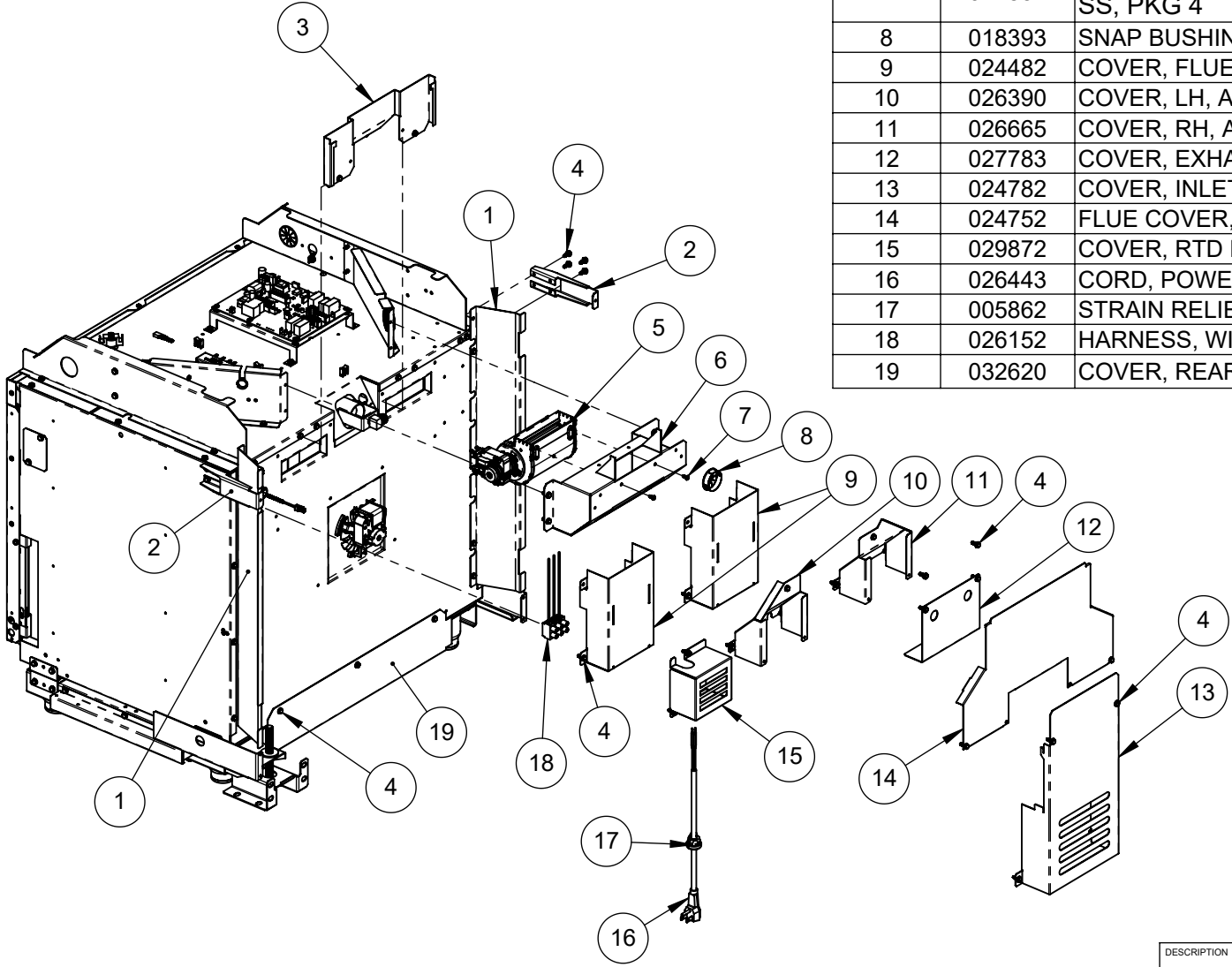
ITEM NO.	PART NO.	DESCRIPTION	QTY.
1	000917	HOLDER, ORIFICE, BULKHEAD, SMALL	1
2	024263	SERVICE, SMS, #10-24 X .50, HEXWSH, TYPE F, SS, PKG 10	1
3	000293-037	ORIFICE, HOOD, #37, NG	1
	000293-052	ORIFICE, HOOD, #52, LP	1
4	024320	BURNER, U STYLE	1
5	025100	IGNITER, HOT SURFACE, 3.2 TO 3.6 AMP	2
6	000372	ORIFICE HOLDER, OVEN	1
7	032959	BRACKET, MOUNTING, HSI, BROIL	1
8	024376	BRACKET, MOUNTING, BROIL BURNER, 36 GAS OVEN	1
9	024389	COVER, BROILER TUBE, GAS RANGE	1
10	022795	BURNER, IR, BROILER, RESIDENTIAL INDOOR	1
11	008280	NUT, PANEL, 3/8" NPS	1
12	002865-047	ORIFICE, SPUD, #47, NG	1
	002865-055	ORIFICE, SPUD, #55, LP	1
13	002513	ELBOW, ORIFICE, IR BURNER	1
14	015856-03	RECEIVER, STANDARD, 36" RANGE	2
15	015591	ASSY, WELDMENT, HOLDER, HINGE, LEFT, 36" RANGE	1
16	024527	SERVICE, MS, 10-32 X 3/4", HEX, ZINC PLATED, STEEL, PKG 4	1
17	021602	WSH, FLAT, #10 (.203 X .375 X .020), BLK-OXIDE, 18-8 SS	4
18	022775	SPACER, BOTTOM, PANEL, SIDE, 48" RANGE	1
19	022778	SUPPORT, PANEL, SIDE, LEFT, LOWER, 48" RANGE	1
20	022776	SUPPORT, PANEL, SIDE, RIGHT, LOWER, 48" RANGE	1
21	035222	HARNES, WIRE, OVEN TO RANGETOP, RANGE, 30"/36" (VW-1/FT1)	1
22	029078	ANTI-TIP BRACKET, SMALL, INDOOR RANGE	1
23	015588	ASSY, WELDMENT, HOLDER, HINGE, RIGHT, 36" RANGE	1
24	015530	FAN, CONVECTION, 36" RANGE	1
25	015410	SERVICE, SMS, #8 X 3/8, PH, PAN, SS, PKG 10	1
26	024353	PLATE, MOUNTING, CONVECTION FAN MOTOR, 36 GAS RANGE	1
27	018337	INSULATION, REAR, CONV. FAN, 1/2" THK, 36" RANGE	1
28	024354-BK	PLATE, MOUNTING, CONVECTION FAN, RANGE, GAS - BLACK	1
29	035090-024	SERVICE, HOSE, FLEX, 3/8 OD, F-M, NUT/FERRULE TO LOXIT - 24"	2
30	035090-054	SERVICE, HOSE, FLEX, 3/8 OD, F-M, NUT/FERRULE TO LOXIT - 54"	1

HESTAN

DESCRIPTION	SERVICE, OVEN ASSEMBLY, ALL-GAS, 30"
DRAWING NO.	A6.1

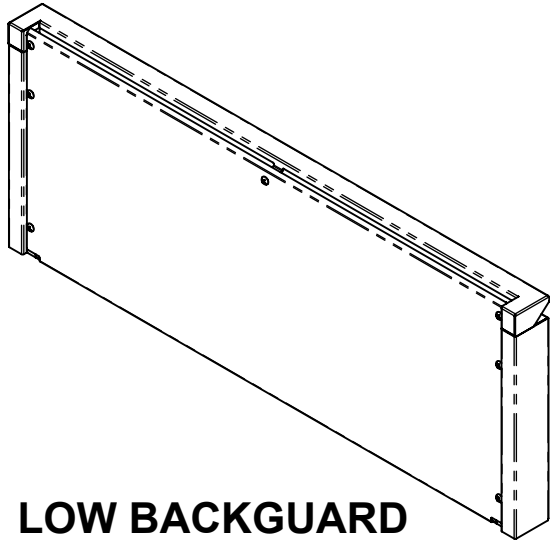
REPLACEMENT PARTS - KRG304

ITEM NO.	PART NO.	DESCRIPTION	QTY.
1	019373	REAR COVER, LH, 36" RANGE	2
2	024023	SUPPORT, PANEL, SIDE, UPPER, 48" RANGE	2
3	024761	SHIELD, EXHAUST, 36 GAS OVEN	1
4	024263	SERVICE, SMS, #10-24 X .50, HEXWSH, TYPE F, SS, PKG 10	1
5	024498	FAN, COOLING, RANGE, SMALL	1
6	026418	ENCLOSURE, COOLING FAN, GAS RANGE	1
7	011852	SERVICE, SMS, #8-32 X 3/8, PH, PAN, TYPE F, SS, PKG 4	1
8	018393	SNAP BUSHING, 1.06" MAX ID, BLACK	1
9	024482	COVER, FLUE, GAS RANGE, 36	2
10	026390	COVER, LH, ACCESS, COOLING FAN, GAS RANGE	1
11	026665	COVER, RH, ACCESS, COOLING FAN, GAS RANGE	1
12	027783	COVER, EXHAUST, COOLING FAN - GAS OVEN	1
13	024782	COVER, INLET, BROIL BURNER, 36 GAS RANGE	1
14	024752	FLUE COVER, COMBINED, 36 GAS OVEN	1
15	029872	COVER, RTD PROBE - 30" GAS	1
16	026443	CORD, POWER, 6 FT, 15A, 3/14 AWG, SJTW	1
17	005862	STRAIN RELIEF, SNAP-IN, 3/4" KNOCKOUT	1
18	026152	HARNESS, WIRE, MAIN, 36" ALL GAS RANGE	1
19	032620	COVER, REAR, CASE LOWER - 30" ALL GAS RANGE	1

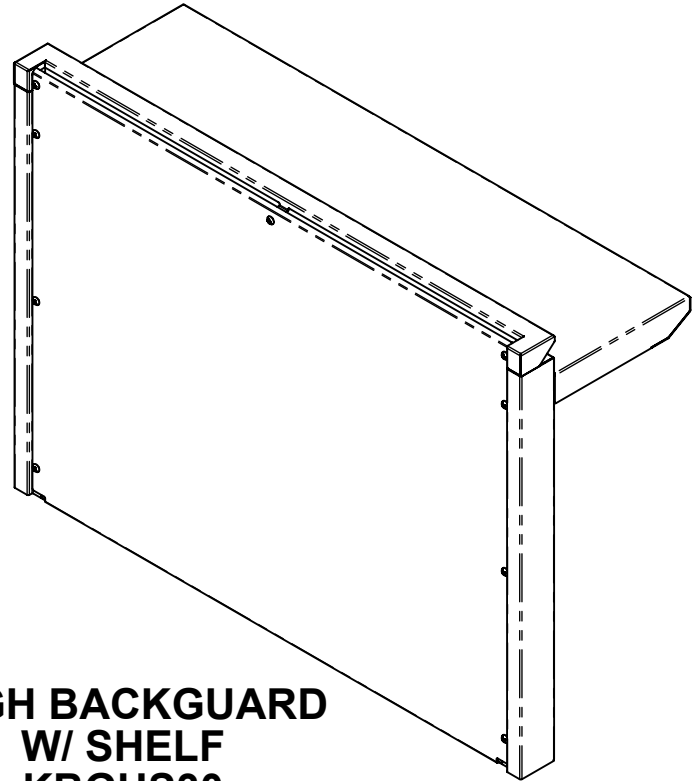


DESCRIPTION **SERVICE, OVEN ASSEMBLY, ALL-GAS, 30"**

DRAWING NO **A6.2**



**LOW BACKGUARD
KBGLB30**



**HIIGH BACKGUARD
W/ SHELF
KBGHS30**

 **HESTAN**

DESCRIPTION	SERVICE, OTHER BACKGUARDS - 30"
DRAWING NO	A7

ITEM	DESCRIPTION	NOTE
A1	SERVICE, DOOR ASSEMBLY, ALL-GAS, 30"	SEE SUB-ASSEMBLY FOR PARTS BREAKDOWN
A2	SERVICE, ASSY, CONTROL PANEL INSERT, 30" RANGE	SEE SUB-ASSEMBLY FOR PARTS BREAKDOWN
A3	SERVICE, RANGE TOP ASSY, ALL-GAS, 30"	SEE SUB-ASSEMBLY FOR PARTS BREAKDOWN
A4	SERVICE, MANIFOLD ASSEMBLY, 30"	SEE SUB-ASSEMBLY FOR PARTS BREAKDOWN
A5	SERVICE, DUAL FLOW BURNER ASSY.	SEE SUB-ASSEMBLY FOR PARTS BREAKDOWN
A6	SERVICE, OVEN ASSY, ALL-GAS, 30" - PART 1	SEE SUB-ASSEMBLY FOR PARTS BREAKDOWN
A6.1	SERVICE, OVEN ASSY, ALL-GAS, 30" - PART 2	SEE SUB-ASSEMBLY FOR PARTS BREAKDOWN
A6.2	SERVICE, OVEN ASSY, ALL-GAS, 30" - PART 3	SEE SUB-ASSEMBLY FOR PARTS BREAKDOWN
A7	SERVICE, OTHER BACKGUARDS - 30"	SEE SUB-ASSEMBLY FOR PARTS BREAKDOWN

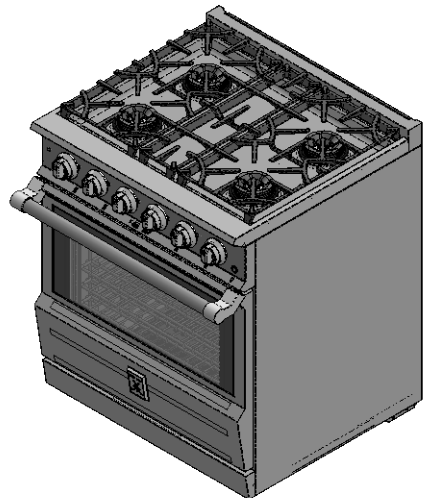


All warranty and non-warranty repairs should be performed by qualified service personnel. To locate an authorized service agent, contact your Hestan dealer, local representative, or the manufacturer. Before you call, please have the model number and serial number information ready.
Hestan Commercial Corp.
(888) 905-7463

ITEM	PART NUMBER	DESCRIPTION	QTY.
1	017663	ASSY, PANEL, SIDE, LEFT, 36" RANGE	1
2	017664	ASSY, PANEL, SIDE, RIGHT, 36" RANGE	1
3	010242	SERVICE, SMS, #10-24 X 1/2, PH, PAN, TYPE F, SS, PKG 10	1
4	026503	GRILL, FRONT, RANGETOP, 30"	1
5	018023	SWITCH, PLUNGER, N.O., OVEN DOOR	1
6	017612	LED MODULE, KNOB LIGHTING	6
7	011857	SERVICE, MS, 8-32 X .375, PH, PAN, SS, PKG 6	1
8	026430	DRIP PAN, 304 RANGETOP	1
9	018251	GRATE ASSEMBLY, DUAL, RESIDENTIAL INDOOR	2
10	026481	GRATE ASSEMBLY, TRIVET, RESIDENTIAL INDOOR	1
11	025945	SERVICE, GRATE, FOOTPAD, PKG 4	1
12	024305	SERVICE, MS, M4 X 5MM, PH, PAN, SS, PKG 6	1
13	009281	TEE, FEMALE, 1/2 X 1/2 X 1/2 NPT	1
14	024755	HOSE, FLEX, 5/8OD X 1/2MIP X 1/2MIP, 8"	1
15	018882	REGULATOR, STRAIGHT-THRU, 1/2"NPT, CONVERTIBLE, DD-RV48 (5"/10"w.c.)	1
	021649	REGULATOR, STRAIGHT-THRU, 1/2"NPT, CONVERTIBLE, DD-RV48, 5/10, CONVERTED TO LP	1
16	029706	BRACKET, REGULATOR, RANGES	1
17	022772	TRIM, SIDE, RH, 48" RANGE	1
18	028540	TRIM, SIDE, LH, 30" RANGE	1
19	024256	SERVICE, SMS, #8 X 1/2, PH, ROUND, BLK-OXIDE, SS, PKG 4	1
20	034204	SERVICE, PANEL, KICK, 30" RANGE	1
21	031629	BRACKET, SUPPORT, KICK PANEL, 30" GAS RANGE	1
22	026025	CAP, 1/2 NPT	1
23	020971	SWITCH, PUSHBUTTON, 19mm, SPST, 5A, 250VAC	1
24	007648	PAN, DRIP, ACCESSORY, GRILL	1
25	019010	INSERT, BROILER PAN, INDOOR RANGE	1

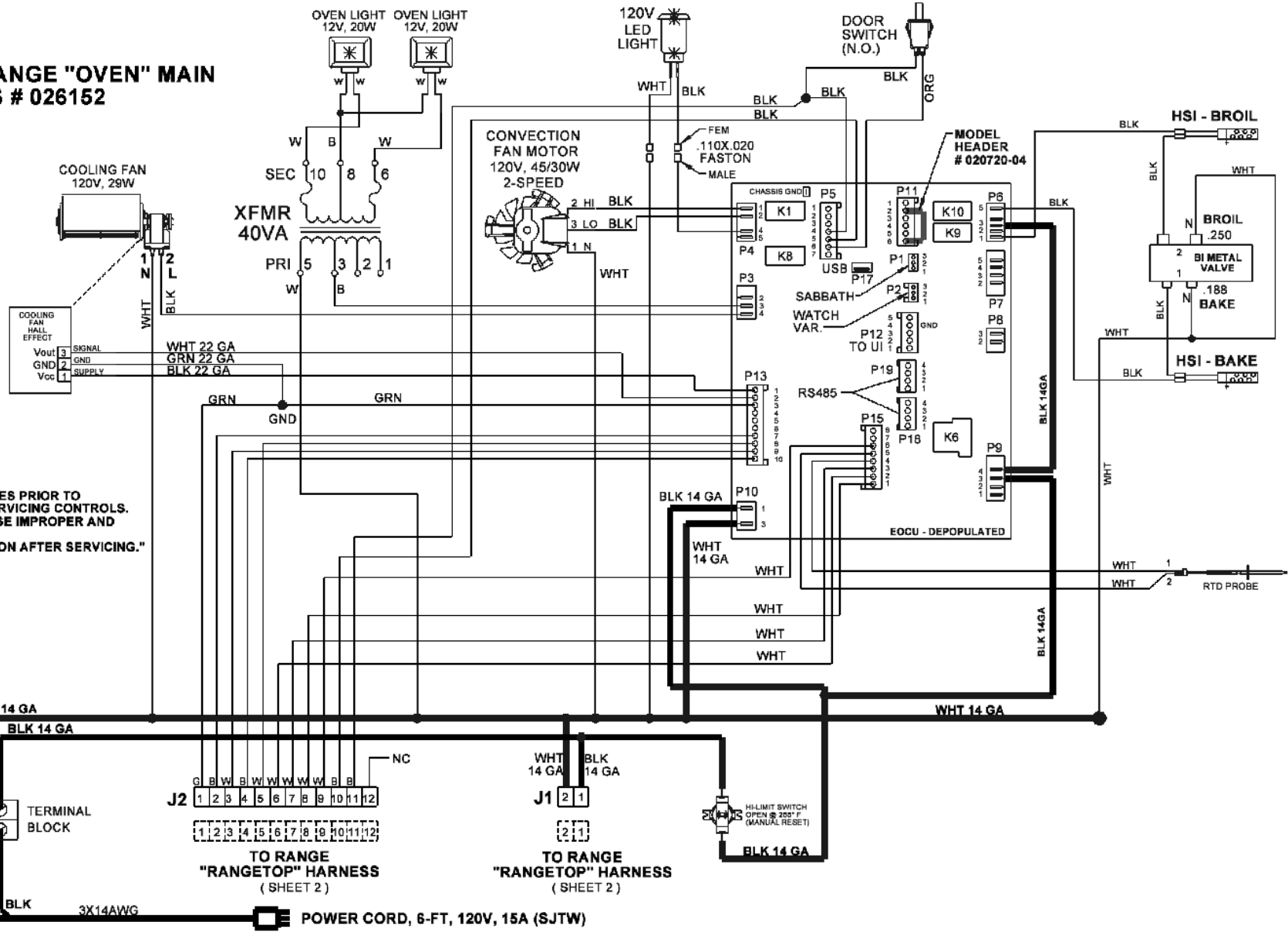
26	018170	KNOB ASSEMBLY, MAIN BURNER, RESIDENTIAL INDOOR	4
27	027429	KNOB ASSEMBLY, OVEN FUNCTION, GAS, RESIDENTIAL INDOOR	1
28	027427	KNOB ASSEMBLY, OVEN TEMP, NON SC, RESIDENTIAL INDOOR	1
29	011715	SERVICE, NUT, KEPS, 1/4-20, ZN, PKG 4	1
30	024260	SERVICE, MS, 10-24 X 1/2, HEX HD W/ LOCK WASHER, ZN, PKG 10	1
31	012687	SERVICE, BALL STUD, MALE, 6-32UNC, .052-.078 PNL THK, PKG 4	1
32	012688	SERVICE, NUT, KEPS, 6-32, SS, PKG 4	1
33	002934	ADAPTER, STRAIGHT, 1/2 NPT X 3/8" CC	1
34	028127	LED LIGHT, PANEL MOUNT, 120V, 8 mm	1
35	046657	SERVICE, ASSY, CONTROL PANEL INSERT, KRG304	1
36	033666-XX	SERVICE, ASSY, DOOR SKIN, LARGE OVEN, 48" RANGE	1

SEE SHEET 1 FOR ITEMS 35 & 36



	<small>PROPRIETARY</small> NO PART OF THIS DOCUMENT MAY BE REPRODUCED, STORED IN A RETRIEVAL SYSTEM, OR TRANSMITTED IN ANY FORM, WITHOUT THE WRITTEN PERMISSION OF Hestan Commercial Corporation. THIS DOCUMENT OR ANY COPIES SHALL BE RETURNED UPON WRITTEN REQUEST.	DESCRIPTION SERVICE - RANGE, 4 BURNER, ALL-GAS, 30"	DRAWING NO KRG304-SERVICE	REVISION E
				SHEET NO. 12 OF 15

36" ALL GAS RANGE "OVEN" MAIN WIRE HARNESS # 026152



"CAUTION: LABEL ALL WIRES PRIOR TO DISCONNECTION WHEN SERVICING CONTROLS. WIRING ERRORS CAN CAUSE IMPROPER AND DANGEROUS OPERATION."
"VERIFY PROPER OPERATION AFTER SERVICING."

WIRING DIAGRAM, KRG304 029579

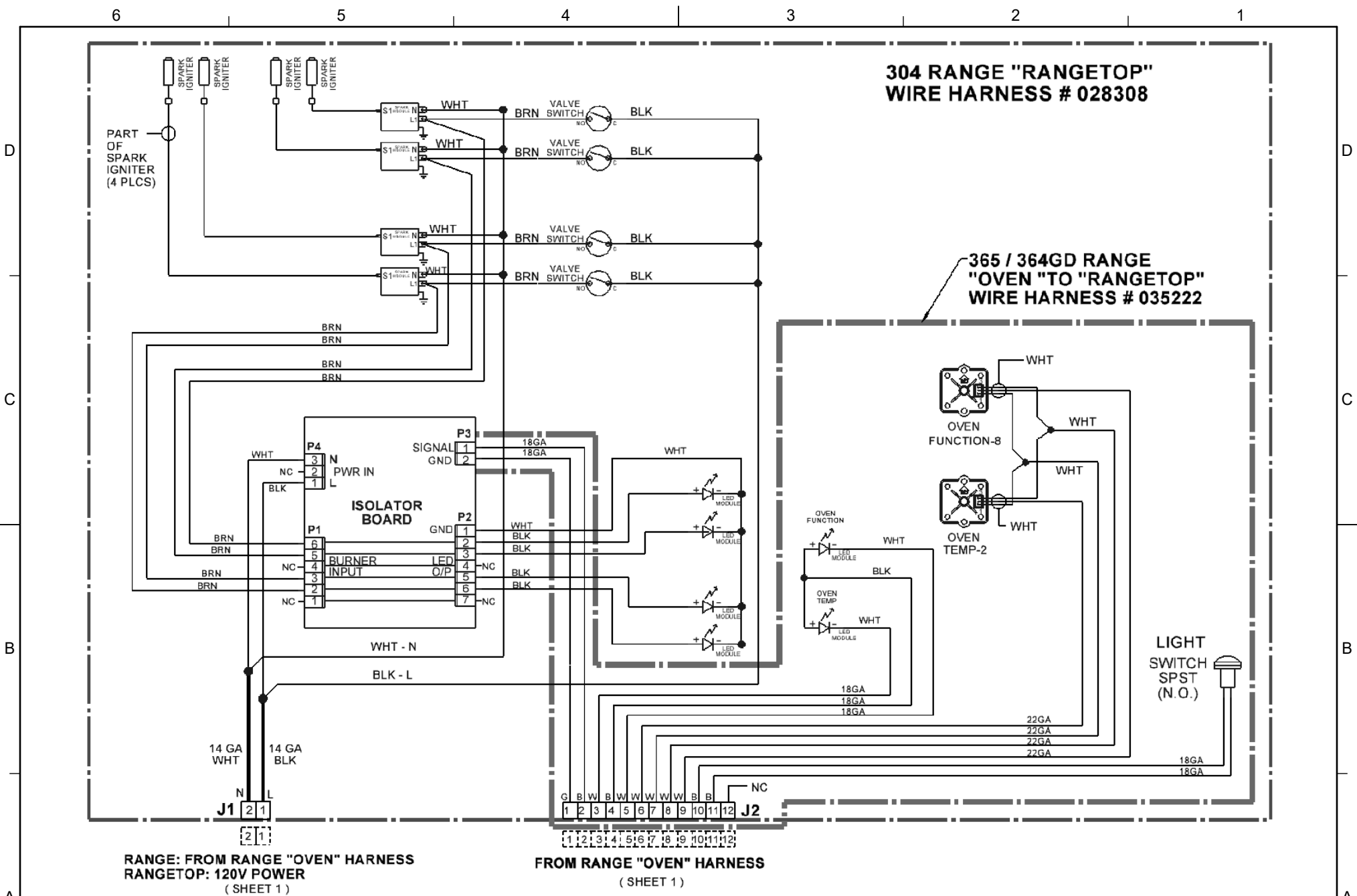


PROPRIETARY
NO PART OF THIS DOCUMENT MAY BE REPRODUCED, STORED IN A RETRIEVAL SYSTEM, OR TRANSMITTED IN ANY FORM, WITHOUT THE WRITTEN PERMISSION OF Hestan Commercial Corporation. THIS DOCUMENT OR ANY COPIES SHALL BE RETURNED UPON WRITTEN REQUEST.

DESCRIPTION
SERVICE - RANGE, 4 BURNER, ALL-GAS, 30"

DRAWING NO
KRG304-SERVICE

REVISION
E
SHEET NO.
13 OF 15



RANGE: FROM RANGE "OVEN" HARNESS
RANGETOP: 120V POWER
(SHEET 1)

FROM RANGE "OVEN" HARNESS
(SHEET 1)

**WIRING DIAGRAM, KRG304
029579**



PROPRIETARY
NO PART OF THIS DOCUMENT MAY BE REPRODUCED,
STORED IN A RETRIEVAL SYSTEM, OR TRANSMITTED IN
ANY FORM, WITHOUT THE WRITTEN PERMISSION OF
Hestan Commercial Corporation. THIS DOCUMENT OR ANY
COPIES SHALL BE RETURNED UPON WRITTEN REQUEST.

DESCRIPTION
SERVICE - RANGE, 4 BURNER, ALL-GAS, 30"

DRAWING NO
KRG304-SERVICE

REVISION
E
SHEET NO.
14 OF 15

ALL-GAS RANGE ERROR CODES

Selector LEDs	Error	Priority	Detection	Action	How to clear
TEMP KNOB: OFF MODE KNOB: 1 flash	RTD	A	Open or Short.	Cancel any cooking cycle, EOCU will be inoperable.	Power down and replace or plug in RTD.
TEMP KNOB: ON MODE KNOB: 2 flashes	Invalid Model Header	A	Model Header is undefined.	This is read only at power up, EOCU will be inoperable	Power down and insert correct model header.
TEMP KNOB: ON MODE KNOB: 3 flashes	Cooling Fan Hall Effect	A	EOCU is not receiving a square wave in the allowable frequency range.	Cancel cooking operation immediately.	Turn cycle OFF. Power down and correct cooling fan issue.
TEMP KNOB: ON MODE KNOB: 5 flashes	No Restart on Power Loss	A	Power loss occurred while a cycle was running.	Once power has been restored, do not restart any oven operations.	Turn selector knobs to the OFF position.
TEMP KNOB: ON MODE KNOB: 8 flashes	Communication Error	B	RS485 serial communication is lost or unable to establish communication between EOCU(s).	For double oven units, only the small oven knob will flash with the error code indication. Only the large oven can still perform a cooking cycle. SABBATH mode is disallowed on both ovens. Small oven cooling fan will stay on.	Turn unit OFF. Power down and check RS485 connection.
TEMP KNOB: ON MODE KNOB: 9 flashes	Temperature Run-Away	A	Control detects temperature greater than or equal to 610°F during a cooking cycle.	Go into error mode and shut down oven.	Turn unit OFF. Power down and replace the EOCU.

Error Priority	Condition
A	Critical Error, turn Mode and Temp knobs OFF.
B	Non-Critical, cancel only the feature that is affected, allow oven to still operate.

WIRING DIAGRAM, KRG304 029579



PROPRIETARY
NO PART OF THIS DOCUMENT MAY BE REPRODUCED, STORED IN A RETRIEVAL SYSTEM, OR TRANSMITTED IN ANY FORM, WITHOUT THE WRITTEN PERMISSION OF Hestan Commercial Corporation. THIS DOCUMENT OR ANY COPIES SHALL BE RETURNED UPON WRITTEN REQUEST.

DESCRIPTION

SERVICE - RANGE, 4 BURNER, ALL-GAS, 30"

DRAWING NO

KRG304-SERVICE

REVISION

E

SHEET NO.

15 OF 15