



**All-Gas Range w/Griddle
KRG485GD
Parts List**

**Hestan Commercial Corporation
3375 E. La Palma Ave.
Anaheim, CA 92806
(888)905-7463**

RETAIN THIS FOR FUTURE REFERENCE

6

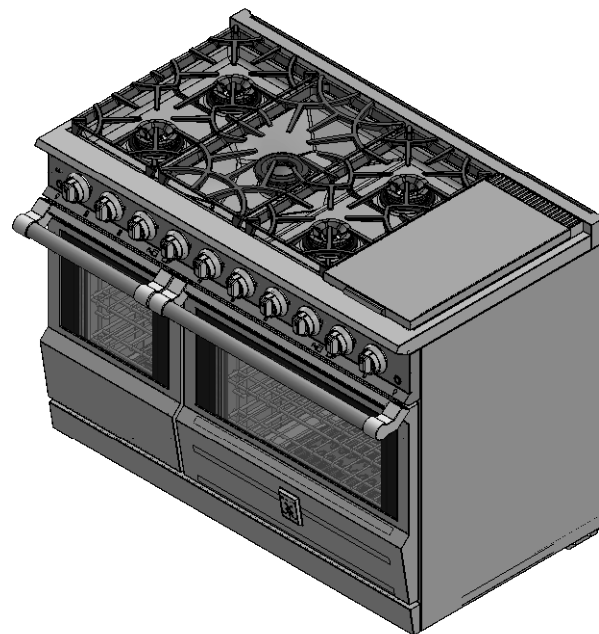
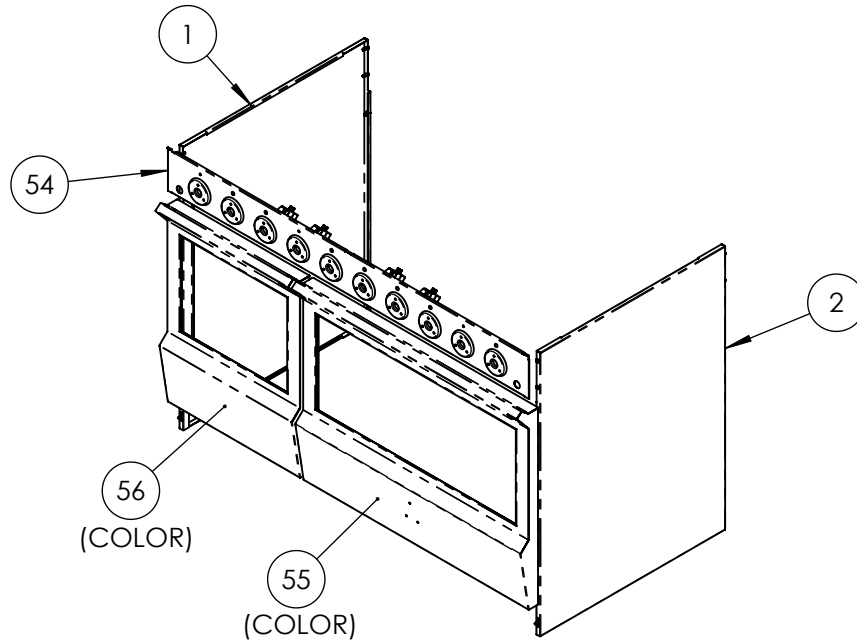
5

4

3

2

1



Color Extension (-XX)	Description
	Stainless Steel
-BK	Stealth - Black
-WH	Froth - White
-RD	Matador - Red
-YW	Sol - Yellow
-OR	Citra - Orange
-BG	Tin Roof - Burgundy
-PP	Lush - Purple
-BU	Prince - Blue
-GR	Grove - Green
-GG	Pacific Fog - Graphite Gray
-TQ	Bora Bora - Turquoise

SEE SHEET 13 FOR PARTS LIST

PROPRIETARY
NO PART OF THIS DOCUMENT MAY BE REPRODUCED,
STORED IN A RETRIEVAL SYSTEM, OR TRANSMITTED IN
ANY FORM, WITHOUT THE WRITTEN PERMISSION OF
Hestan Commercial Corporation. THIS DOCUMENT OR ANY
COPIES SHALL BE RETURNED UPON WRITTEN REQUEST.

DESCRIPTION

**SERVICE - RANGE, 5-BURNER WITH
GRIDDLE, ALL-GAS, 48**

DRAWING NO

KRG485GD-SERVICE

REVISION

F

SHEET NO.

1 OF 17

6

5

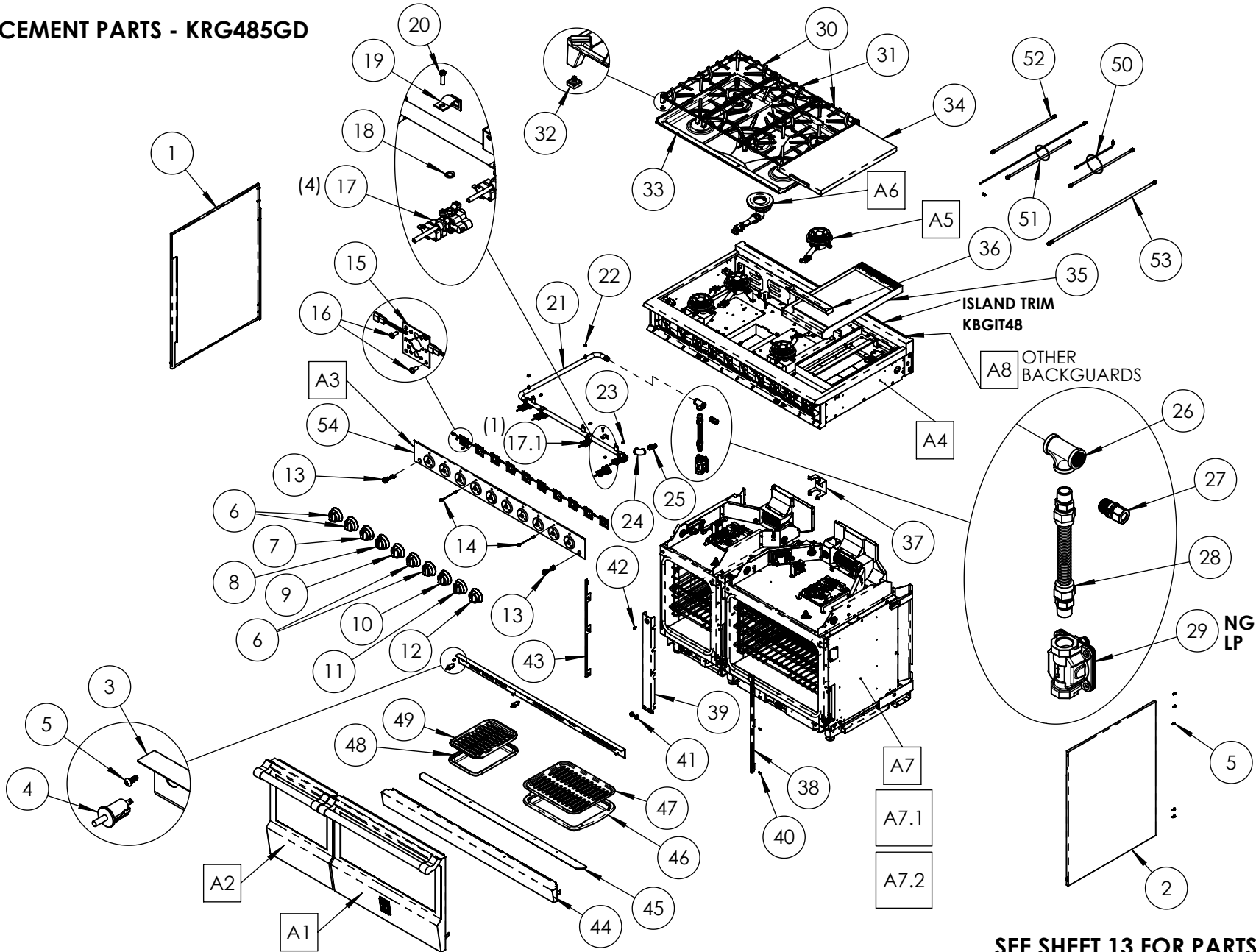
4

3

2

1

REPLACEMENT PARTS - KRG485GD



SEE SHEET 13 FOR PARTS LIST



PROPRIETARY
NO PART OF THIS DOCUMENT MAY BE REPRODUCED,
STORED IN A RETRIEVAL SYSTEM, OR TRANSMITTED IN
ANY FORM, WITHOUT THE WRITTEN PERMISSION OF
Hestan Commercial Corporation. THIS DOCUMENT OR ANY
COPIES SHALL BE RETURNED UPON WRITTEN REQUEST.

DESCRIPTION

**SERVICE - RANGE, 5-BURNER WITH
GRIDDLE, ALL-GAS, 48**

DRAWING NO

KRG485GD-SERVICE

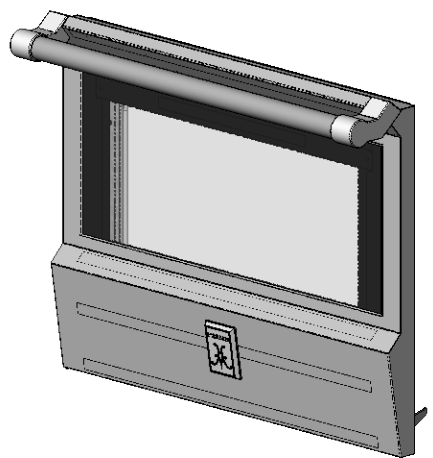
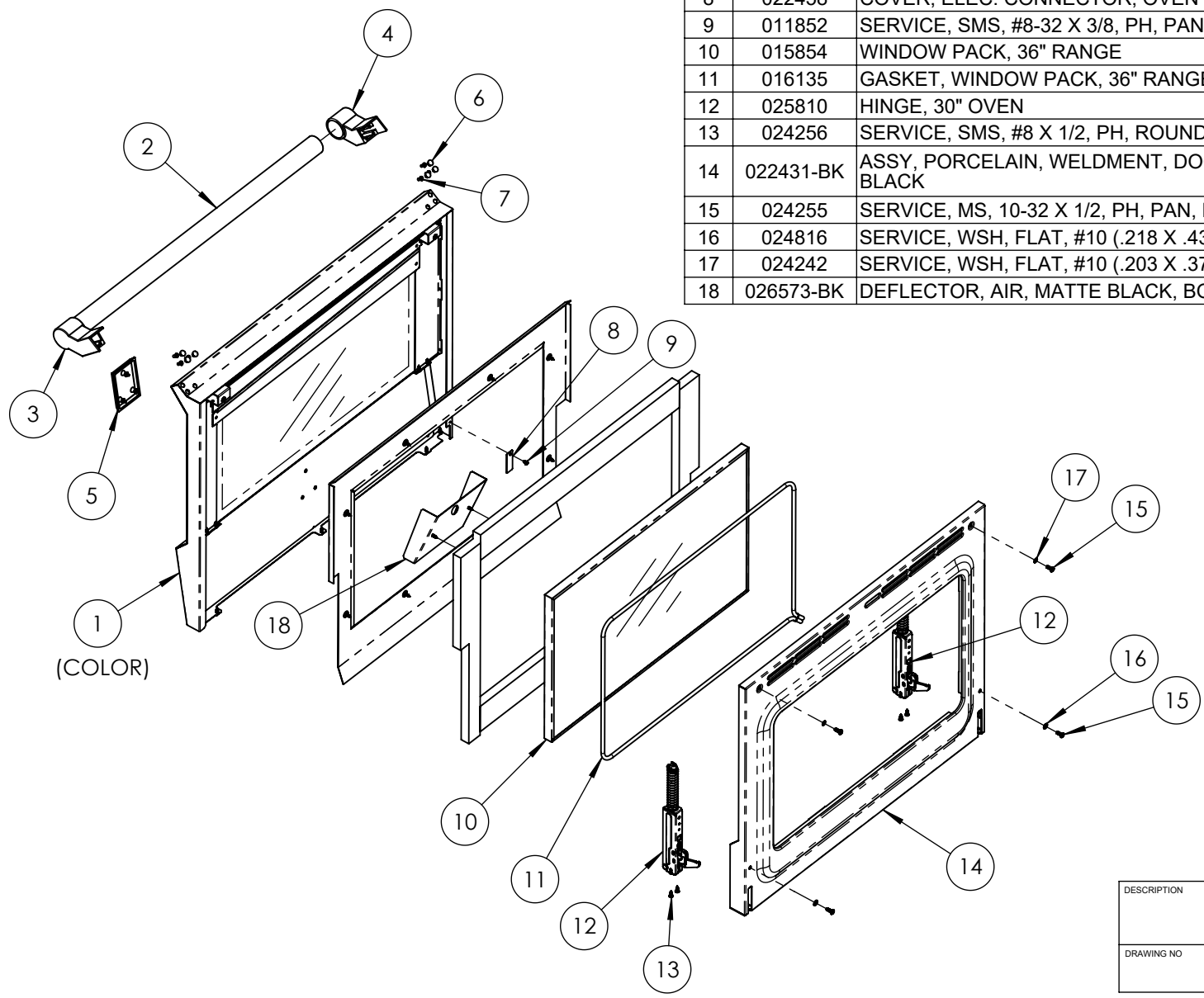
REVISION

F

SHEET NO.

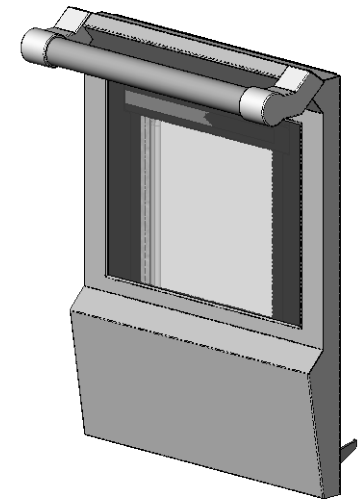
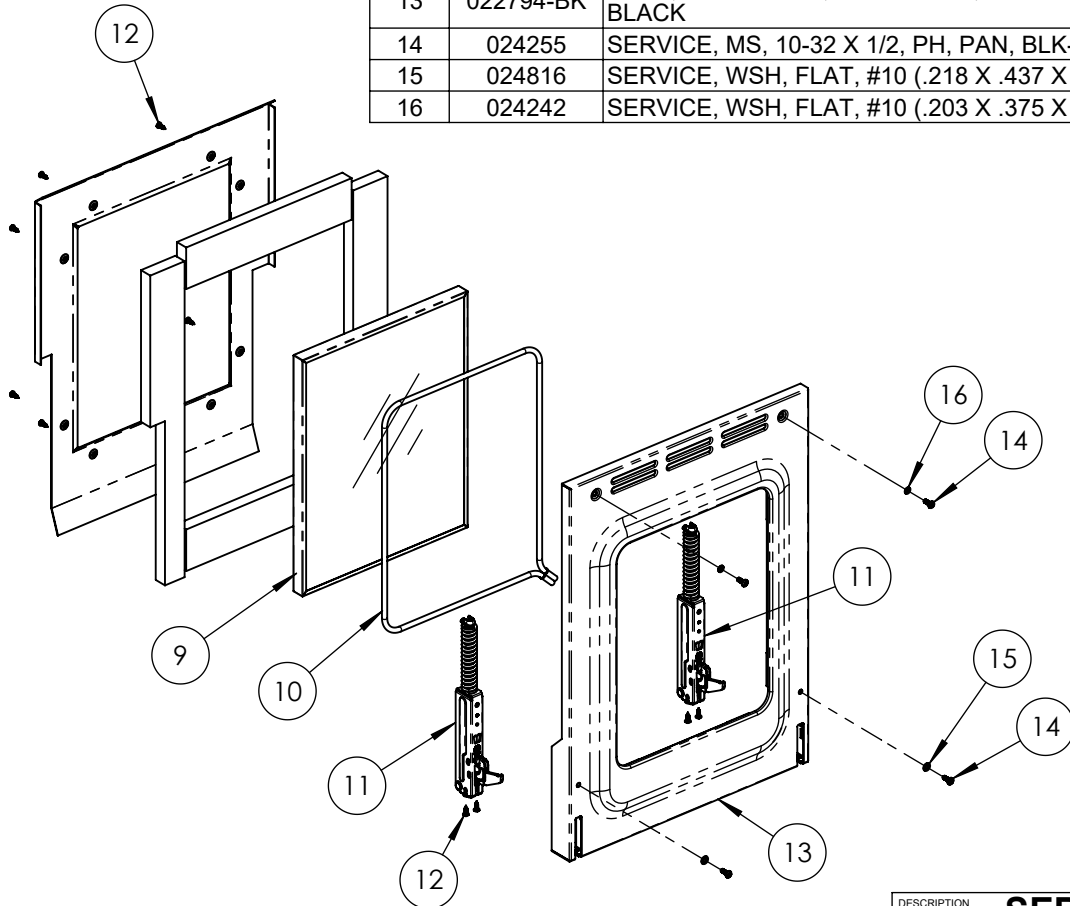
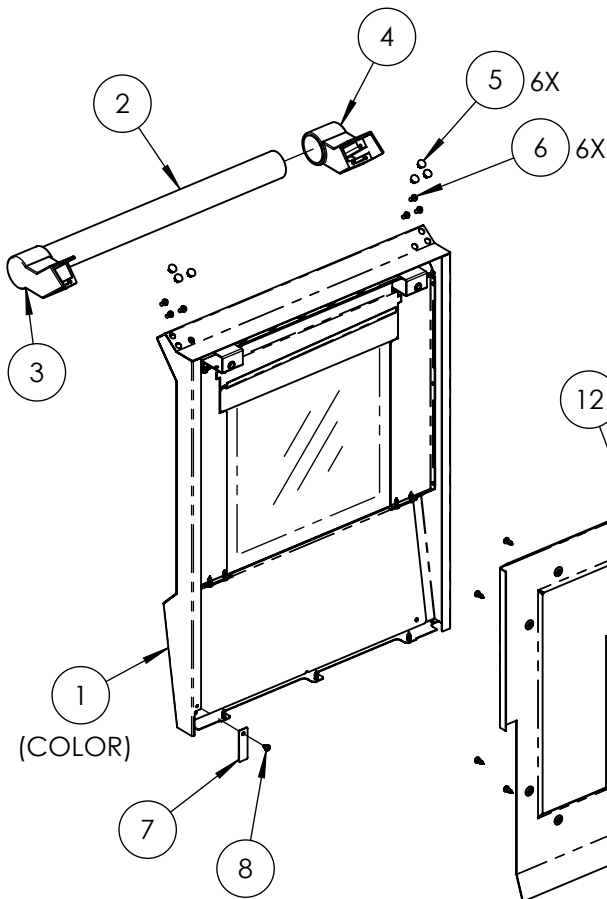
2 OF 17

ITEM	PART NO.	DESCRIPTION	QTY.
1	033666-XX	SERVICE, ASSY, DOOR SKIN, LARGE OVEN, 48" RANGE	1
2	028459	HANDLE, DOOR, OVEN, LARGE, 48" GAS RANGE	1
3	017153	ENDCAP, HANDLE, RH, OVEN DOOR, INDOOR	1
4	017152	ENDCAP, HANDLE, LH, OVEN DOOR, INDOOR	1
5	024252	SERVICE, LARGE HESTAN LOGO W/ RETAINING RINGS	1
6	024258	SERVICE, PLUG, SNAP-IN, 5/16 HOLE, .047 - .078 PANEL THK, STEEL, NICKEL PLATED, PKG 4	1
7	024261	SERVICE, MS, 8-32 X .375, PH, ROUND HD, ZN, PKG 6	1
8	022458	COVER, ELEC. CONNECTOR, OVEN DOOR, LARGE, 48" RANGE	1
9	011852	SERVICE, SMS, #8-32 X 3/8, PH, PAN, TYPE F, SS, PKG 4	1
10	015854	WINDOW PACK, 36" RANGE	1
11	016135	GASKET, WINDOW PACK, 36" RANGE	1
12	025810	HINGE, 30" OVEN	2
13	024256	SERVICE, SMS, #8 X 1/2, PH, ROUND, BLK-OXIDE, SS, PKG 4	1
14	022431-BK	ASSY, PORCELAIN, WELDMENT, DOOR LINER, LARGE OVEN, 48" RANGE, BLACK	1
15	024255	SERVICE, MS, 10-32 X 1/2, PH, PAN, BLK-OXIDE, SS, PKG. 4	1
16	024816	SERVICE, WSH, FLAT, #10 (.218 X .437 X .032), BLK-OXIDE, 18-8 SS, PKG 2	1
17	024242	SERVICE, WSH, FLAT, #10 (.203 X .375 X .020), BLK-OXIDE, 18-8 SS, PKG 6	1
18	026573-BK	DEFLECTOR, AIR, MATTE BLACK, BOTTOM, DOOR, LARGE, 48" RANGE	1



HESTAN

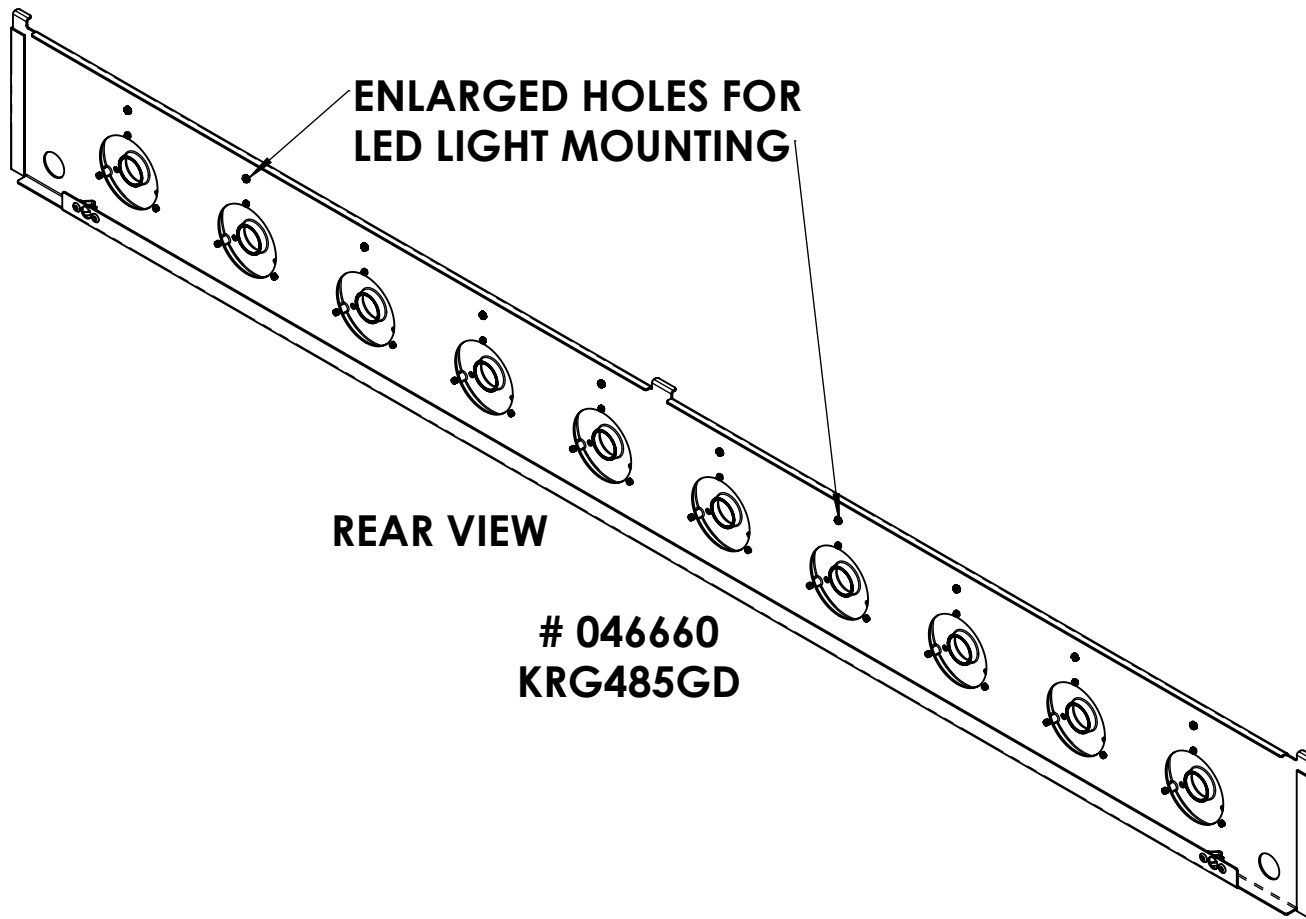
DESCRIPTION **SERVICE, DOOR ASSEMBLY, ALL-GAS, 30"**
DRAWING NO **A1**



ITEM	PART NO.	DESCRIPTION	QTY.
1	034224	SERVICE, ASSY, DOOR SKIN, SMALL OVEN, 48" GAS RANGE	1
2	029666	HANDLE, DOOR, SMALL OVEN, 48" GAS RANGE	1
3	017153	ENDCAP, HANDLE, RH, OVEN DOOR, INDOOR	1
4	017152	ENDCAP, HANDLE, LH, OVEN DOOR, INDOOR	1
5	024258	SERVICE, PLUG, SNAP-IN, 5/16 HOLE, .047 - .078 PANEL THK, STEEL, NICKEL PLATED, PKG 4	1
6	024261	SERVICE, MS, 8-32 X .375, PH, ROUND HD, ZN, PKG 6	1
7	023437	COVER, DISPLAY CONN, SMALL, 48" RANGE	1
8	011852	SERVICE, SMS, #8-32 X 3/8, PH, PAN, TYPE F, SS, PKG 4	1
9	022802	WINDOW PACK, SMALL OVEN, 48" RANGE	1
10	022817	GASKET, WINDOW PACK, SMALL OVEN, 48" RANGE	1
11	025811	HINGE, 18" OVEN	2
12	024256	SERVICE, SMS, #8 X 1/2, PH, ROUND, BLK-OXIDE, SS, PKG 4	1
13	022794-BK	ASSY, PORCELAIN, WELDMENT, DOOR LINER, SMALL OVEN, 48" RANGE, BLACK	1
14	024255	SERVICE, MS, 10-32 X 1/2, PH, PAN, BLK-OXIDE, SS, PKG. 4	1
15	024816	SERVICE, WSH, FLAT, #10 (.218 X .437 X .032), BLK-OXIDE, 18-8 SS, PKG 2	1
16	024242	SERVICE, WSH, FLAT, #10 (.203 X .375 X .020), BLK-OXIDE, 18-8 SS, PKG 6	1

HESTAN

DESCRIPTION **SERVICE, DOOR ASSEMBLY, ALL-GAS, 18"**
 DRAWING NO **A2**



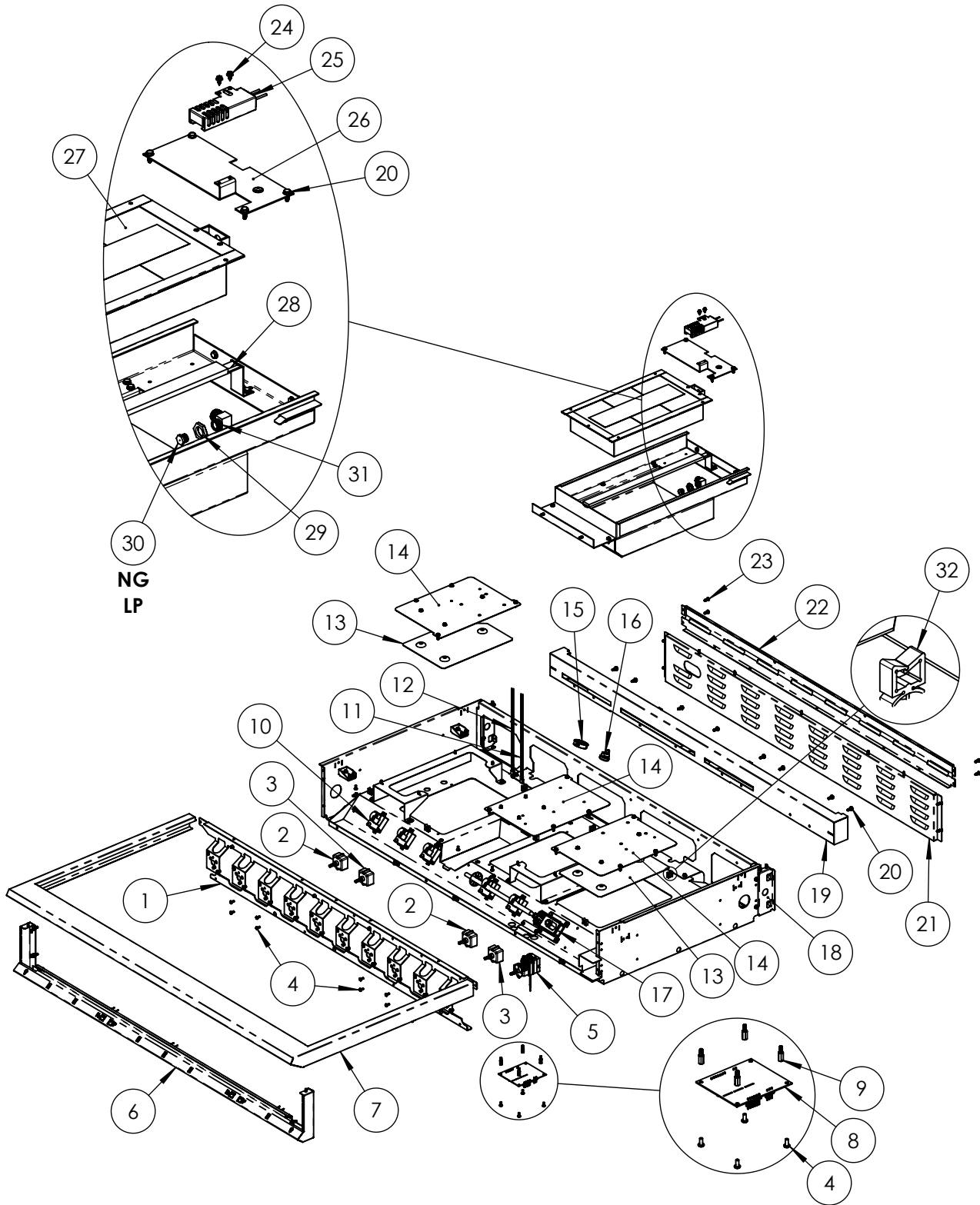
**ENLARGED HOLES FOR
LED LIGHT MOUNTING**

REAR VIEW

**# 046660
KRG485GD**

 **HESTAN**

DESCRIPTION	SERVICE, ASSY, CONTROL PANEL INSERT, 48" RANGE
DRAWING NO	A3



ITEM	PART NO.	DESCRIPTION	QTY.
1	023359	CROSSMEMBER, FRONT, FRAME, RANGETOP - 48	1
2	024399	SELECTOR, 8 POSITION, RESIDENTIAL INDOOR	2
3	024398	SELECTOR, 2 POSITION, RESIDENTIAL INDOOR	2
4	011857	SERVICE, MS, 8-32 X .375, PH, PAN, SS, PKG 6	1
5	019530-S	SERVICE, THERMOSTAT ASSEMBLY, GRIDDLE, RESIDENTIAL INDOOR	1
6	019468-2	CONTROL PANEL, CHIN, ASSY - 485GD RANGE	1
7	019464	BULLNOSE, RANGETOP, WA - 48	1
8	019678	LED DRIVER / ISOLATOR BOARD	1
9	024507	SERVICE, STANDOFF, MALE-FEMALE, 1/2"L, #8-32, PKG. 4	1
10	032028	MODULE, RE-IGNITER, SINGLE POINT, RI 120F-1, 120V, 3mA	5
11	024515	HARNESS, WIRE, OVEN TO RANGETOP, 48 INCH RANGE (VW-1/FT1)	1
12	026363	HARNESS, WIRE, RANGETOP/RANGE, 485GD (VW-1/FT1)	1
13	020821	HEAT SHIELD, LEFT, INDOOR OVEN	2
14	019412	COVER, OVEN ACCESS, RANGETOP	3
15	018393	SNAP BUSHING, 1.06" MAX ID, BLACK	1
16	005862	STRAIN RELIEF, SNAP-IN, 3/4" KNOCKOUT	1
17	028060	GAS ASSY, GRIDDLE, 12	1
18	032936	BRACKET, MOUNTING, RISER, REAR ACCESS, RANGETOP	2
19	033019	RISER, ISLAND, INNER SIDE MOUNT, RESIDENTIAL INDOOR - 48	1
20	024263	SERVICE, SMS, #10-24 X .50, HEXWSH, TYPE F, SS, PKG 10	1
21	019734	REAR COVER, 48" RANGETOP	1
22	019728	COVER, RISER, ISLAND, RESIDENTIAL INDOOR - 48	1
23	010242	SERVICE, SMS, #10-24 X 1/2, PH, PAN, TYPE F, SS, PKG 10	1
24	032596	SERVICE, SMS, #8 X 3/8, SLOT, HEXWSH, SS, PKG 6	1
25	025100	IGNITER, HOT SURFACE, 3.2 TO 3.6 AMP	1
26	026849	COVER, TRAY, BURNER, INDOOR RESIDENTIAL	1
27	026719	BURNER, INFRARED, GRIDDLE, RESIDENTIAL INDOOR	1
28	027496	FRONT, FIREBOX, GRIDDLE, WA	1
29	008280	NUT, PANEL, 3/8" NPS	1
30	002865-050	ORIFICE, SPUD - #50 NG	1
30	002865-056	ORIFICE, SPUD - #56 LP	1
31	002513	ELBOW, ORIFICE, IR BURNER	1
32	033830	SERVICE, CABLE HOLDER, PUSH IN, 3/8" DIAMETER, PKG. 6	1

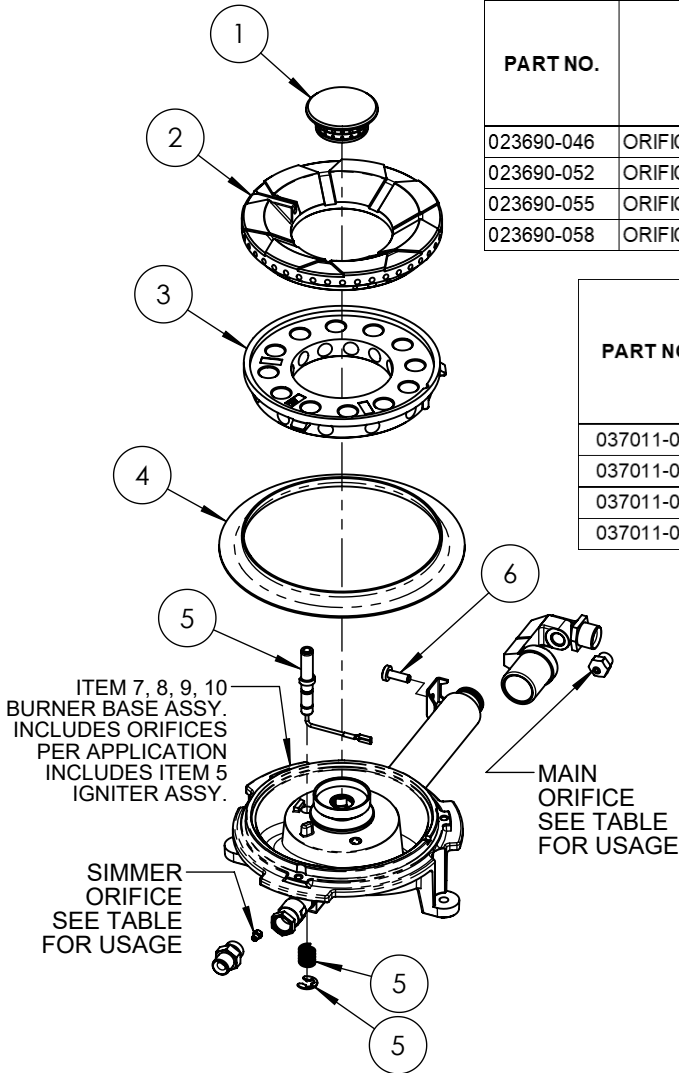
HESTAN

DESCRIPTION **SERVICE, TOP ASSY, ALL-GAS RANGE, 485GD**
DRAWING NO **A4**

PART NO.	SIMMER ORIFICES	Z (IN)	Z (MM)	STAMP	COLOR CODE	15.5k Dual Flow BURNER		23k Dual Flow BURNER	
						NG	LP	NG	LP
023698-073	ORIFICE, SIMMER, DUAL FLOW BURNER, INDOOR, #73	0.024	0.61	V	BLACK	X		X	
023698-078	ORIFICE, SIMMER, DUAL FLOW BURNER, INDOOR, #78	0.016	0.41	T	RED		X		X

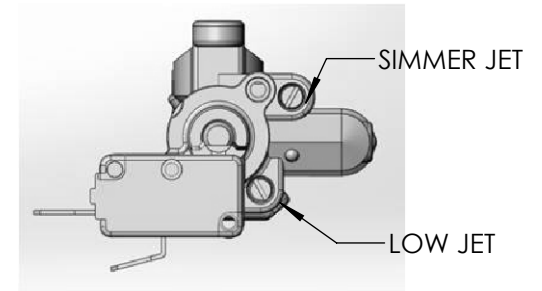
PART NO.	MAIN ORIFICES	Z (IN)	Z (MM)	STAMP	COLOR CODE	15.5k Dual Flow BURNER		23k Dual Flow BURNER	
						NG	LP	NG	LP
023690-046	ORIFICE, MAIN, DUAL FLOW BURNER, INDOOR, #46	0.081	2.05	-	YELLOW, BLACK			X	
023690-052	ORIFICE, MAIN, DUAL FLOW BURNER, INDOOR, #52	0.064	1.60	-	WHITE, BLACK	X			
023690-055	ORIFICE, MAIN, DUAL FLOW BURNER, INDOOR, #55	0.052	1.32	-	YELLOW, RED				X
023690-058	ORIFICE, MAIN, DUAL FLOW BURNER, INDOOR, #58	0.042	1.07	-	WHITE, RED		X		

PART NO.	VALVE ORIFICES (JETS)	Z (IN)	Z (MM)	COLOR CODE (COPRECI)	COLOR CODE (ISPHORDING)	Dual Flow VALVE Low Orifice		Dual Flow VALVE Simmer Orifice	
						NG	LP	NG	LP
037011-065	KIT, ORIFICE, VALVE, INDOOR, #65	0.035	0.88	-	BLACK	X			
037011-073	KIT, ORIFICE, VALVE, INDOOR, #73	0.024	0.61	-	RED		X		
037011-080	KIT, ORIFICE, VALVE, INDOOR, #80	0.0135	0.34	-	YELLOW			X	
037011-087	KIT, ORIFICE, VALVE, INDOOR, #87	0.010	0.25	-	WHITE				X



DUAL BURNER ASSY.

ITEM NO.	PART NO.	DESCRIPTION	QTY.
1	018436	D-INNER BURNER HEAD, DUAL FLOW, RESIDENTIAL INDOOR	1
2	018419	D-DUAL BURNER HEAD, DUAL FLOW, RESIDENTIAL INDOOR	1
3	018418	D-CROSS RING, DUAL FLOW, RESIDENTIAL INDOOR	1
4	018421	D-BEAUTY RING, DUAL FLOW, RESIDENTIAL INDOOR	1
5	024189	SERVICE, IGNITOR KIT, DUAL FLOW BURNER	1
6	024244	SERVICE, MS, M4 X 12, SEALED BURNER, PKG 4	1
7	020399	BURNER BASE ASSY, DUAL FLOW, 23K - NG	2
8	020401	BURNER BASE ASSY, DUAL FLOW, 23K - LP	2
9	020400	BURNER BASE ASSY, DUAL FLOW, 15.5K - NG	2
10	020402	BURNER BASE ASSY, DUAL FLOW, 15.5K - LP	2



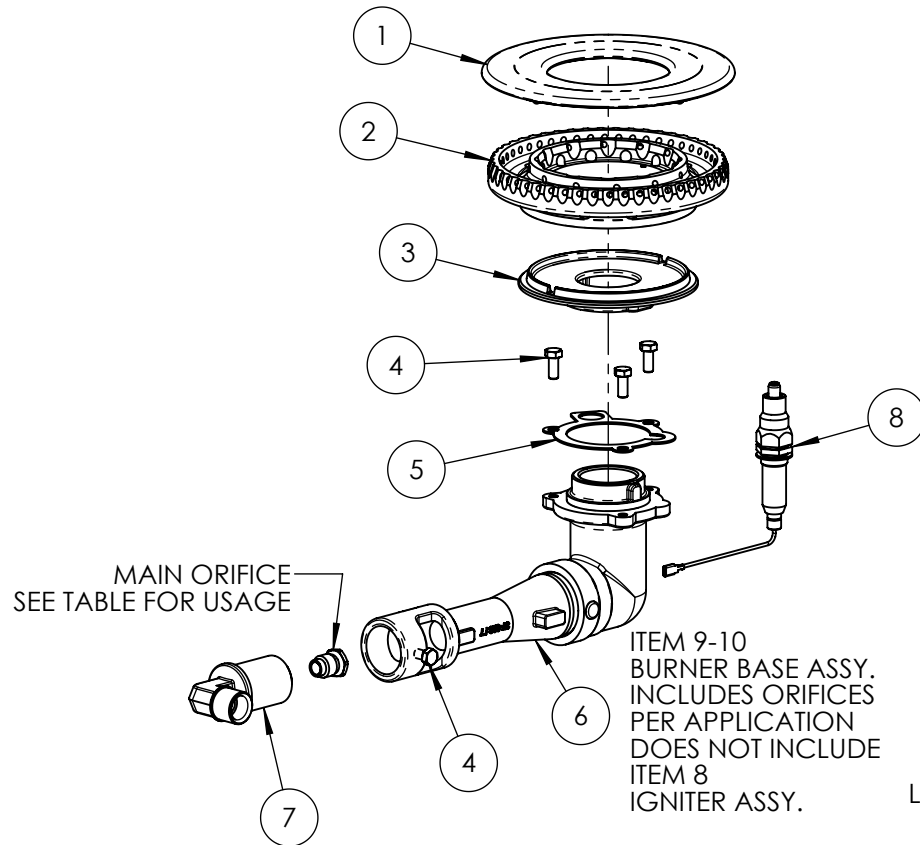
 **HESTAN**
SERVICE, DUAL FLOW BURNER ASSY.
A5

DESCRIPTION

DRAWING NO

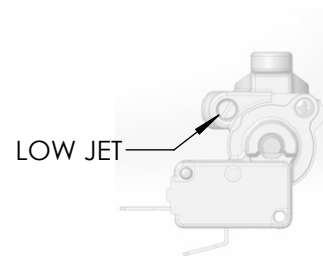
PART NO.	MAIN ORIFICES	Z (IN)	Z (MM)	STAMP	COLOR CODE	30k Single Flow BURNER	
						NG	LP
002039	ORIFICE, MAIN, SINGLE FLOW BURNER, #42, NG	0.0935	2.375	42	-	X	
004925	ORIFICE, MAIN, SINGLE FLOW BURNER, #54, LP	0.055	1.397	54	-		X

PART NO.	VALVE ORIFICES (JETS)	Z (IN)	Z (MM)	COLOR CODE (COPRECI)	COLOR CODE (ISPHORDING)	Single Flow VALVE Low Orifice	
						NG	LP
037011-062	KIT, ORIFICE, VALVE, INDOOR, #62	0.038	0.97	-	ORANGE	X	
037011-073	KIT, ORIFICE, VALVE, INDOOR, #73	0.024	0.61	-	RED		X



SINGLE-FLOW BURNER ASSY.

ITEM NO.	PART NO.	DESCRIPTION	QTY.
1	002058	BURNER RING, SEALED BURNER, SF	1
2	002055	HEAD, BURNER, SEALED BURNER, SF	1
3	002057	BURNER BASE, SEALED BURNER, SF	1
4	014390	SERVICE, SCREW, MOUNTING, M5X12, SEALED BURNER, PKG 4	1
5	002056	GASKET, MAIN, SEALED BURNER, SF	1
6	010662	ELBOW, SINGLE FLOW, FRONT, ASSY	1
7	002048	JET HOLDER, MAIN, SEALED BURNER, SF/DF	1
8	024190	SERVICE, IGNITER KIT, SEALED BURNER, SINGLE FLOW	1
9	028517	BURNER BASE ASSY, SINGLE FLOW, SEALED BURNER - NG	1
10	028518	BURNER BASE ASSY, SINGLE FLOW, SEALED BURNER - LP	1



SINGLE-FLOW VALVE

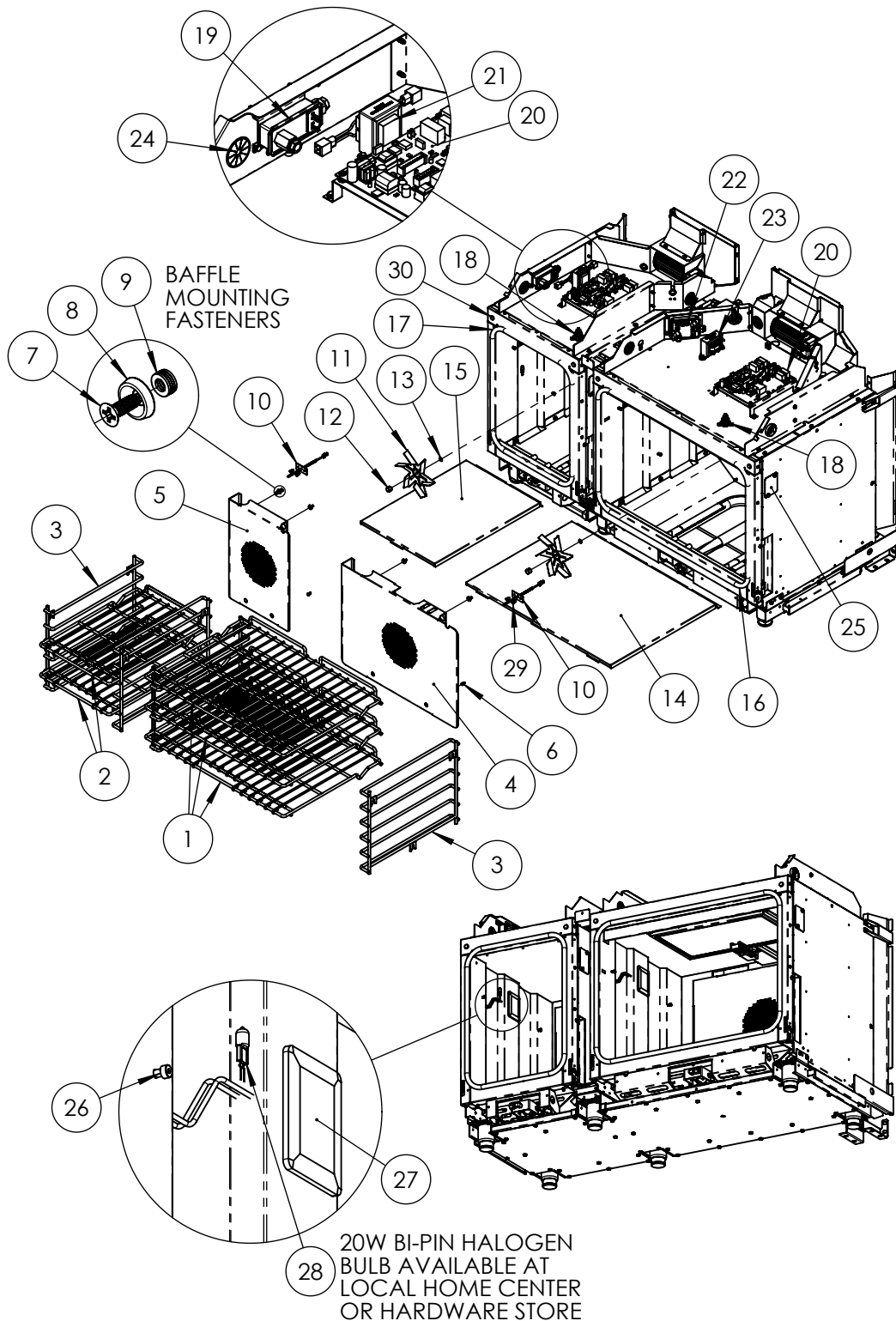


SERVICE, SINGLE FLOW BURNER ASSY.

DESCRIPTION

DRAWING NO

A6



ITEM	PART NO.	DESCRIPTION	QTY
1	028687	RACK, NO SLIDES, INDOOR OVEN, 30"	3
2	023847	RACK, INDOOR OVEN, 18"	2
3	018230	RACK, LADDER, LH & RH, RANGE, W/A	4
4	023862-BK	BAFFLE, CONVECTION, PORCELAINED, LARGE OVEN, 48" RANGE	1
5	022565-BK	BAFFLE, CONVECTION, PORCELAINED, SMALL OVEN, 48" RANGE	1
6	011852	SERVICE, SMS, #8-32 X 3/8, PH, PAN, TYPE F, SS, PKG 4	1
7	021173	SMS, #8-32 X 1/2, FLT, PH, TYPE F, SS	4
8	021171	WSH, C'SUNK, #8, SS	4
9	021172	WSH, FLAT, #8 (.169 X .304 X .032), SS	16
10	018092	RTD PROBE, W/FLANGE, AMP CONNECTOR	2
11	017917	BLADE, CONV FAN, 152mm	2
12	017918	NUT, HEX, 1/4-28, CONV. FAN, RANGE	2
13	018860	WASHER, FLAT, M6	2
14	028695-BK	BOTTOM, COVER, FLAME SPREADER, 30 GAS OVEN - BLACK	1
15	030265-BK	BOTTOM, COVER, FLAME SPREADER, 18" GAS OVEN - BLACK	1
16	023845	GASKET ASSY, CELL, OVEN, LARGE OVEN, 48" RANGE	1
17	023332	GASKET ASSY, SMALL OVEN, 48" RANGE	1
18	018024	SWITCH, HI-LIMIT	2
19	036352	GAS ASSY, SINGLE, ALL-GAS OVEN	1
20	027007	RELAY BOARD, ELAN, EOC-U DEPOP	2
21	025777	TRANSFORMER, 20VA, 120V TO 12V, CLASS 2	1
22	036354	GAS ASSY, DOUBLE, ALL-GAS OVEN	1
23	032239	TRANSFORMER, 40VA, 120VAC TO 12/24V, CLASS 2	1
24	018393	SNAP BUSHING, 1.06" MAX ID, BLACK	4
25	018864	ACCESS PANEL, MEAT PROBE, 36" RANGE	2
26	017446	SB, #8-32 X 3/16 DIA X 1/4L, SS, PKG 2	1
27	024352	SERVICE, LENS, LAMP, HALOGEN, 12V 20W, 65 X 80 mm	1
28	018142	SERVICE, BULB, HALOGEN, G4 BI-PIN, 20W, PKG 2	1
29	024256	SERVICE, SMS, #8 X 1/2, PH, ROUND, BLK-OXIDE, SS, PKG 4	1
30	017444	SERVICE, BUMPER, RUBBER, .50 DIAM. X .156 H, PKG 4	1

HESTAN

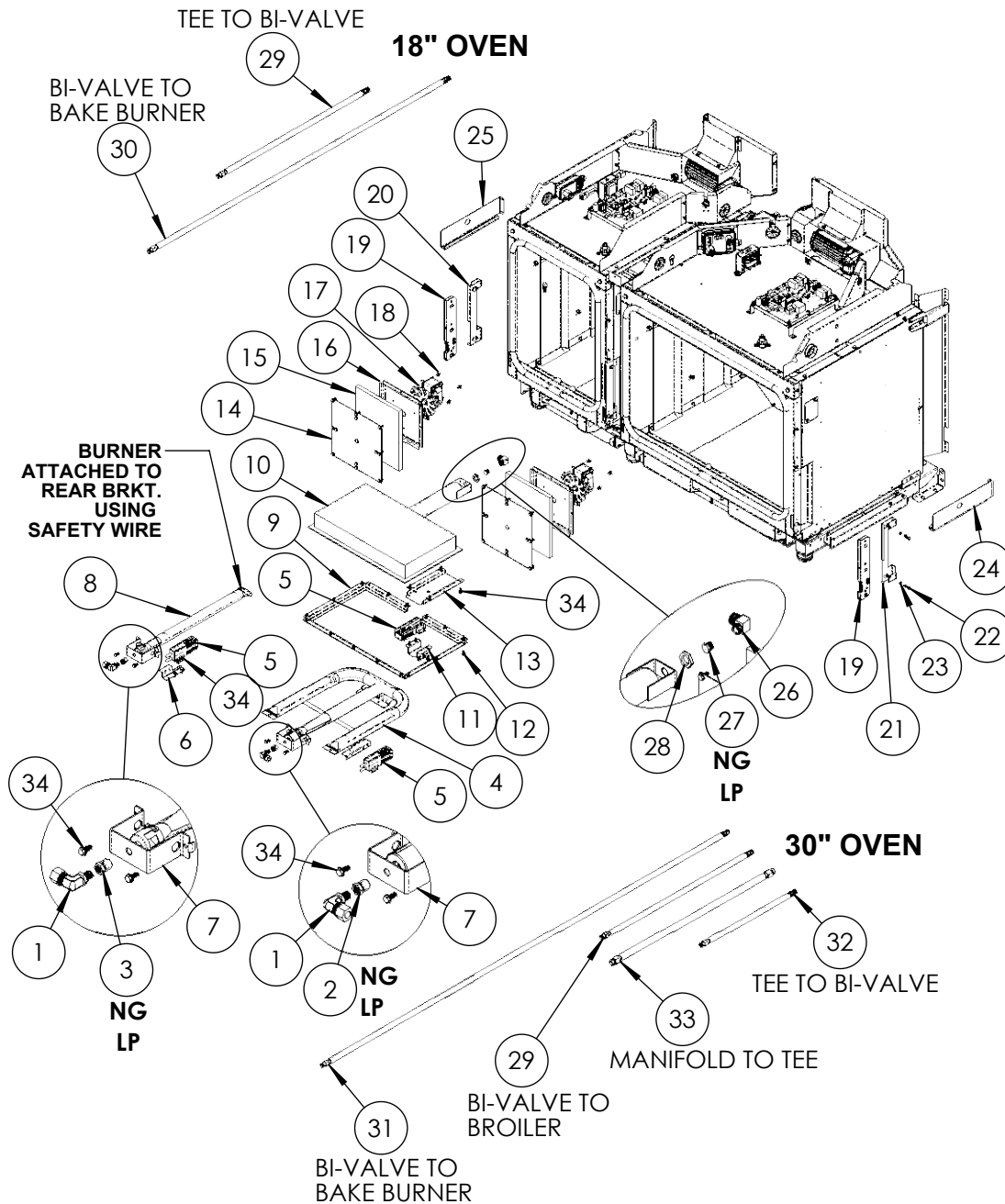
**SERVICE, OVEN ASSEMBLY,
ALL-GAS, 48"**

DESCRIPTION

DRAWING NO

A7

REF 034230



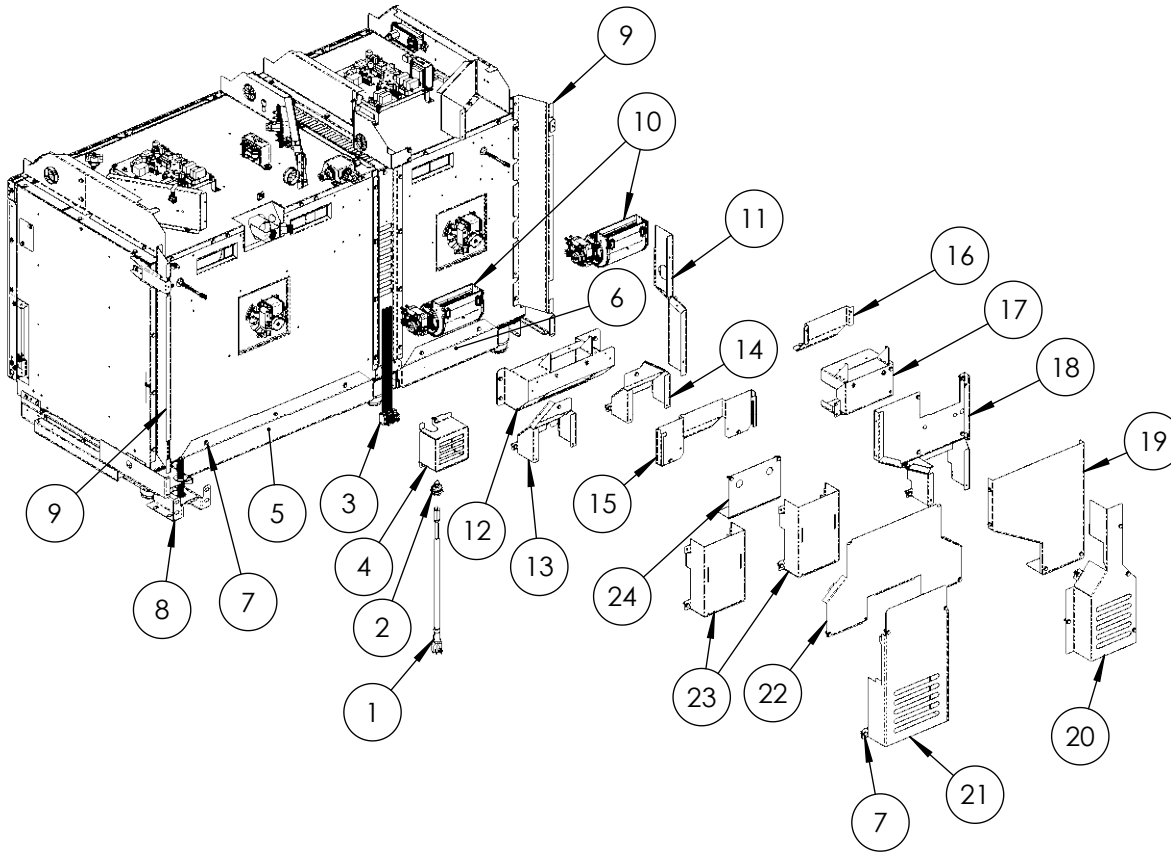
ITEM	PART NO.	DESCRIPTION	QTY
1	000917	HOLDER, ORIFICE, BULKHEAD, SMALL	1
2	000293-037	ORIFICE, HOOD, #37 - NG	1
	000293-052	ORIFICE, HOOD, #52 - LP	1
3	000293-048	ORIFICE, HOOD, #48 - NG	1
	000293-056	ORIFICE, HOOD, #56 - LP	1
4	024320	BURNER, U STYLE	1
5	025100	IGNITER, HOT SURFACE, 3.2 TO 3.6 AMP	3
6	030032	BRACKET, HSI, 18" OVEN, ALL GAS	1
7	000372	ORIFICE HOLDER, OVEN	2
8	029997	BURNER, TUBE, 18K BTU	1
9	024376	BRACKET, MOUNTING, BROIL BURNER, 36 GAS OVEN	1
10	022795	BURNER, IR, BROILER, RESIDENTIAL INDOOR	1
11	032959	BRACKET, MOUNTING, HSI, BROIL	1
12	011852	SERVICE, SMS, #8-32 X 3/8, PH, PAN, TYPE F, SS, PKG 4	1
13	024389	COVER, BROILER TUBE, GAS RANGE	1
14	024354-BK	PLATE, MOUNTING, CONVECTION FAN, RANGE, GAS - BLACK	2
15	018337	INSULATION, REAR, CONV. FAN, 1/2" THK, 36" RANGE	2
16	024353	PLATE, MOUNTING, CONVECTION FAN MOTOR, 36 GAS RANGE	2
17	015530	FAN, CONVECTION, 36" RANGE	2
18	015410	SERVICE, SMS, #8 X 3/8, PH, PAN, SS, PKG 10	1
19	015856-03	RECEIVER, STANDARD, 36" RANGE	2
20	015591	ASSY, WELDMENT, HOLDER, HINGE, LEFT, 36" RANGE	1
21	015588	ASSY, WELDMENT, HOLDER, HINGE, RIGHT, 36" RANGE	1
22	024257	SERVICE, MS, 10-32 X 3/4", HEX, ZINC PLATED, STEEL, PKG 4	1
23	024242	SERVICE, WSH, FLAT, #10 (.203 X .375 X .020), BLK-OXIDE, 18-8 SS, PKG 6	1
24	017779	SUPPORT, PANEL, SIDE, RIGHT, LOWER, 36" RANGE	1
25	017780	SUPPORT, PANEL, SIDE, LEFT, LOWER, 36" RANGE	1
26	002513	ELBOW, ORIFICE, IR BURNER	1
27	002865-047	ORIFICE, SPUD, #47 - NG	1
	002865-055	ORIFICE, SPUD, #55 - LP	1
28	008280	NUT, PANEL, 3/8" NPS	1
29	035090-024	SERVICE, HOSE, FLEX, 3/8 OD, F-M, NUT/FERRULE TO LOXIT - 24"	2
30	035090-048	SERVICE, HOSE, FLEX, 3/8 OD, F-M, NUT/FERRULE TO LOXIT - 48"	1
31	035090-065	SERVICE, HOSE, FLEX, 3/8 OD, F-M, NUT/FERRULE TO LOXIT - 65"	1
32	035090-015	SERVICE, HOSE, FLEX, 3/8 OD, F-M, NUT/FERRULE TO LOXIT - 15"	1
33	035089-024	SERVICE, HOSE, FLEX, 1/2 OD, F-F, NUT/FERRULE - 24"	1
34	024263	SERVICE, SMS, #10-24 X .50, HEXWSH, TYPE F, SS, PKG 10	1



**SERVICE, OVEN ASSEMBLY,
ALL-GAS, 48"**

DESCRIPTION
DRAWING NO

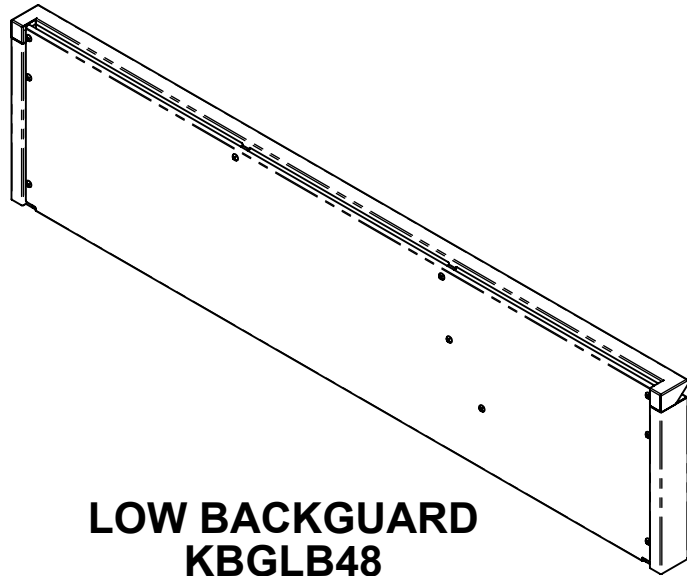
A7.1



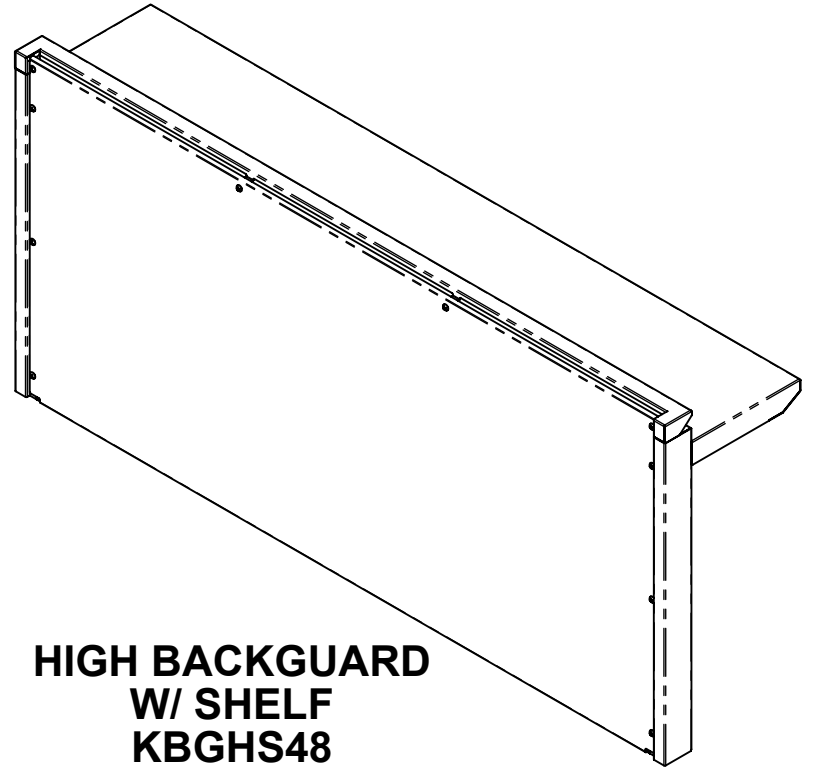
ITEM	PART NO.	DESCRIPTION	QTY
1	026443	CORD, POWER, 6 FT, 15A, 3/14 AWG, SJTW	1
2	005862	STRAIN RELIEF, SNAP-IN, 3/4" KNOCKOUT	1
3	030379	HARNES, WIRE, MAIN, 48" ALL GAS RANGE	1
4	029872	COVER, RTD PROBE - 30" GAS	1
5	032606	COVER, REAR, CASE LOWER, 30" OVEN - GAS	1
6	032609	COVER, REAR, CASE LOWER, 18" OVEN - GAS	1
7	024263	SERVICE, SMS, #10-24 X .50, HEXWSH, TYPE F, SS, PKG 10	1
8	029078	ANTI-TIP BRACKET, SMALL, INDOOR RANGE	1
9	019373	REAR COVER, LH, 36" RANGE	2
10	024498	FAN, COOLING, RANGE, SMALL	2
11	030213	COVER, SIDE, CONV FAN, 18" OVEN, GAS RANGE	1
12	026418	ENCLOSURE, COOLING FAN, GAS RANGE	1
13	026390	COVER, LH, ACCESS, COOLING FAN, GAS RANGE	1
14	026665	COVER, RH, ACCESS, COOLING FAN, GAS RANGE	1
15	024761	SHIELD, EXHAUST, 36 GAS OVEN	1
16	032680	SHIELD, EXHAUST, 18" GAS OVEN	1
17	030088	ENCLOSURE, COOLING FAN, 18" OVEN, GAS RANGE	1
18	032681	COVER, ACCESS, COOLING FAN, 18" OVEN, GAS RANGE	1
19	032682	FLUE COVER, 18" OVEN, GAS	1
20	030211	COVER, CONV FAN, 18" OVEN, GAS RANGE	1
21	024782	COVER, INLET, BROIL BURNER, 36 GAS RANGE	1
22	024752	FLUE COVER, COMBINED, 36 GAS OVEN	1
23	024482	COVER, FLUE, GAS RANGE, 36	2
24	027783	COVER, EXHAUST, COOLING FAN - GAS OVEN	1

HESTAN

DESCRIPTION	SERVICE, OVEN ASSEMBLY, ALL-GAS, 48"
DRAWING NO	A7.2



**LOW BACKGUARD
KBGLB48**



**HIGH BACKGUARD
W/ SHELF
KBGHS48**

 **HESTAN**

DESCRIPTION	SERVICE, OTHER BACKGUARDS - 48"
DRAWING NO	A8

6

5

4

3

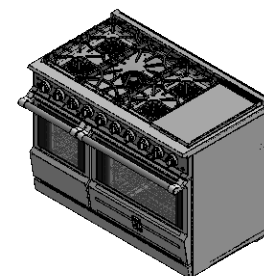
2

1

ITEM	DESCRIPTION	NOTE
A1	SERVICE, DOOR ASSEMBLY, ALL-GAS, 30"	SEE SUB-ASSEMBLY FOR PARTS BREAKDOWN
A2	SERVICE, DOOR ASSEMBLY, ALL-GAS, 18"	SEE SUB-ASSEMBLY FOR PARTS BREAKDOWN
A3	SERVICE, ASSY, CONTROL PANEL INSERT, 48" ALL-GAS RANGE	SEE SUB-ASSEMBLY FOR PARTS BREAKDOWN
A4	SERVICE, TOP ASSY, ALL-GAS RANGE, 485GD	SEE SUB-ASSEMBLY FOR PARTS BREAKDOWN
A5	SERVICE, DUAL FLOW BURNER ASSY.	SEE SUB-ASSEMBLY FOR PARTS BREAKDOWN
A6	SERVICE, SINGLE FLOW BURNER ASSY.	SEE SUB-ASSEMBLY FOR PARTS BREAKDOWN
A7	SERVICE, OVEN ASSEMBLY, ALL-GAS, 48" - PART 1	SEE SUB-ASSEMBLY FOR PARTS BREAKDOWN
A7.1	SERVICE, OVEN ASSEMBLY, ALL-GAS, 48" - PART 2	SEE SUB-ASSEMBLY FOR PARTS BREAKDOWN
A7.2	SERVICE, OVEN ASSEMBLY, ALL-GAS, 48" - PART 3	SEE SUB-ASSEMBLY FOR PARTS BREAKDOWN
A8	SERVICE, OTHER BACKGUARDS - 48"	SEE SUB-ASSEMBLY FOR PARTS BREAKDOWN



All warranty and non-warranty repairs should be performed by qualified service personnel. To locate an authorized service agent, contact your Hestan dealer, local representative, or the manufacturer. Before you call, please have the model number and serial number information ready.
Hestan Commercial Corp.
(888) 905-7463



ITEM	PART NUMBER	DESCRIPTION	QTY.
1	017663	ASSY, PANEL, SIDE, LEFT, 36" RANGE	1
2	017664	ASSY, PANEL, SIDE, RIGHT, 36" RANGE	1
3	024433	GRILL, FRONT, RANGETOP, 48"	4
4	018023	SWITCH, PLUNGER, N.O., OVEN DOOR	2
5	010242	SERVICE, SMS, #10-24 X 1/2, PH, PAN, TYPE F, SS, PKG 10	1
6	018170	KNOB ASSEMBLY, MAIN BURNER, RESIDENTIAL INDOOR	1
7	031564	KNOB ASSEMBLY, OVEN FUNCTION, 18, GAS, RESIDENTIAL INDOOR	1
8	031565	KNOB ASSEMBLY, OVEN TEMP, 18, GAS, RESIDENTIAL INDOOR	1
9	018378	KNOB ASSEMBLY, SINGLE FLOW, RESIDENTIAL INDOOR	1
10	027429	KNOB ASSEMBLY, OVEN FUNCTION, GAS, RESIDENTIAL INDOOR	1
11	027427	KNOB ASSEMBLY, OVEN TEMP, NON SC, RESIDENTIAL INDOOR	1
12	027474	KNOB ASSEMBLY, GRIDDLE TEMP, GAS, RESIDENTIAL INDOOR	1
13	020971	SWITCH, PUSHBUTTON, 19mm, SPST, 5A, 250VAC	2
14	028127	LED LIGHT, PANEL MOUNT, 120V, 8 mm	2
15	017612	LED MODULE, KNOB LIGHTING	10
16	011857	SERVICE, MS, 8-32 X .375, PH, PAN, SS, PKG 6	1
17	031680	VALVE, DUAL FLOW, RESIDENTIAL INDOOR - NG	4
	031681	VALVE, DUAL FLOW, RESIDENTIAL INDOOR - LP	4
17.1	031683	VALVE, SINGLE FLOW, RESIDENTIAL INDOOR - NG	1
	031685	VALVE, SINGLE FLOW, RESIDENTIAL INDOOR - LP	1
18	024444	SERVICE, GASKET, VALVE, SADDLE MOUNT, PKG 6	1
19	018077	CLAMP, GAS VALVE, RESIDENTIAL INDOOR	5
20	024259	SERVICE, MS, M5 X 0.8 X 18, HEXHD, SS, PKG 5	1
21	022924	MANIFOLD, INDOOR, 485 RANGE	1
22	011715	SERVICE, NUT, KEPS, 1/4-20, ZN, PKG 4	1
23	024260	SERVICE, MS, 10-24 X 1/2, HEX HD W/ LOCK WASHER, ZN, PKG 10	1
24	009279	ELBOW, 1/2 NPT	1
25	002934	ADAPTER, STRAIGHT, 1/2 NPT X 3/8" CC	1
26	009281	TEE, FEMALE, 1/2 X 1/2 X 1/2 NPT	1
27	006512	COMPRESSION TUBE FITTING, 1/2" CC X 1/2" MNPT	1
28	024755	HOSE, FLEX, 5/8OD X 1/2MIP X 1/2MIP, 8"	1

29	018882	REGULATOR, STRAIGHT-THRU, 1/2"NPT, CONVERTIBLE, DD-RV48 (5"/10"w.c.)	1
	021649	REGULATOR, STRAIGHT-THRU, 1/2"NPT, CONVERTIBLE, DD-RV48, 5/10, CONVERTED TO LP	1
30	018251	GRATE ASSEMBLY, DUAL, RESIDENTIAL INDOOR	2
31	018319	GRATE ASSEMBLY, SINGLE, RESIDENTIAL INDOOR	1
32	025945	SERVICE, GRATE, FOOTPAD, PKG 4	1
33	018064	DRIP PAN, 365 RANGETOP	1
34	028052	COVER, GRIDDLE, ASSY, RESIDENTIAL INDOOR - 12 GAS	1
35	027460	GRIDDLE PLATE, RESIDENTIAL INDOOR, WA - 12	1
36	018638-BK	GREASE TRAY, GRIDDLE, RESIDENTIAL INDOOR, TEFLON COATED	1
37	029706	BRACKET, REGULATOR, RANGES	1
38	022772	TRIM, SIDE, RH, 48" RANGE	1
39	024413	JOINER, FRONT, 48" RANGE	1
40	024256	SERVICE, SMS, #8 X 1/2, PH, ROUND, BLK-OXIDE, SS, PKG 4	1
41	024484	SNAP BUSHING, .50 MAX ID, BLACK	2
42	024263	SERVICE, SMS, #10-24 X .50, HEXWSH, TYPE F, SS, PKG 10	1
43	023369	TRIM, SIDE, LH, 48" RANGE	1
44	034205	SERVICE, PANEL, KICK, 48" RANGE	1
45	031617	BRACKET, SUPPORT, KICK PANEL, 48" RANGE GAS	1
46	007648	PAN, DRIP, ACCESSORY, GRILL	1
47	019010	INSERT, BROILER PAN, INDOOR RANGE	1
48	026877	PAN, BROILER, SMALL, INDOOR	1
49	026879	INSERT, PAN, BROILER, SMALL, INDOOR	1
50	021578-1	HOSE KIT, DUAL FLOW, RESIDENTIAL INDOOR - FRONT	1
51	021578-2	HOSE KIT, DUAL FLOW, RESIDENTIAL INDOOR - REAR	1
52	014913	HOSE, FLEX, 3/8 OD, 9", F-F, NUT/FERRULE	1
53	035090-030	SERVICE, HOSE, FLEX, 3/8 OD, F-M, NUT/FERRULE TO LOXIT - 30"	1
54	046660	SERVICE, ASSY, CONTROL PANEL INSERT, KRG484GD, KRG485GD	1
55	033666-XX	SERVICE, ASSY, DOOR SKIN, LARGE OVEN, 48" RANGE	1
56	034224-XX	SERVICE, ASSY, DOOR SKIN, SMALL OVEN, 48" GAS RANGE	1

SEE SHEET 1 FOR ITEMS 54, 55 & 56



PROPRIETARY
NO PART OF THIS DOCUMENT MAY BE REPRODUCED,
STORED IN A RETRIEVAL SYSTEM, OR TRANSMITTED IN
ANY FORM, WITHOUT THE WRITTEN PERMISSION OF
Hestan Commercial Corporation. THIS DOCUMENT OR ANY
COPIES SHALL BE RETURNED UPON WRITTEN REQUEST.

DESCRIPTION

**SERVICE - RANGE, 5-BURNER WITH
GRIDDLE, ALL-GAS, 48**

DRAWING NO

KRG485GD-SERVICE

REVISION

F

SHEET NO.

13 OF 17

6

5

4

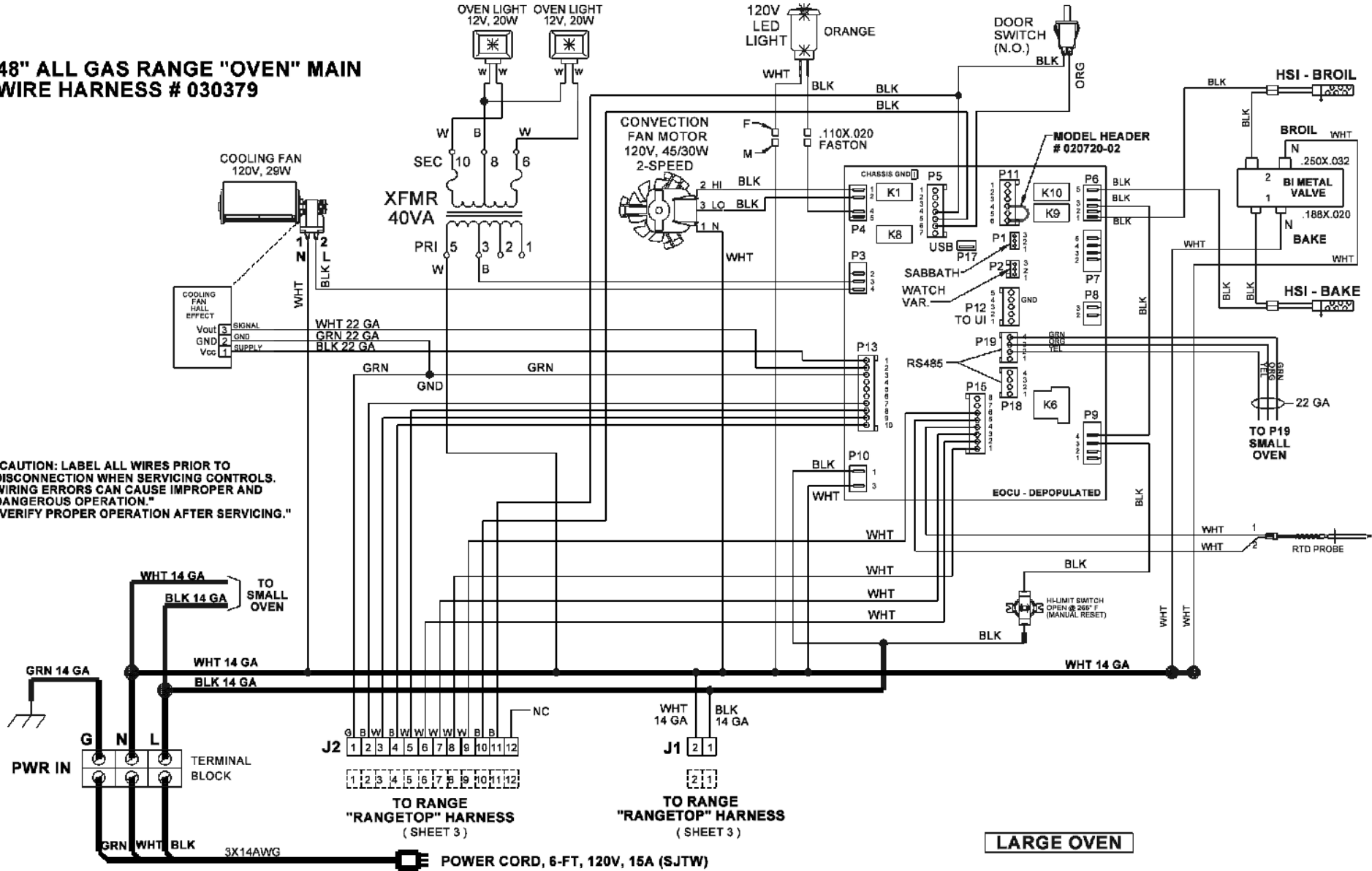
3

2

1

48" ALL GAS RANGE "OVEN" MAIN WIRE HARNESS # 030379

**"CAUTION: LABEL ALL WIRES PRIOR TO DISCONNECTION WHEN SERVICING CONTROLS. WIRING ERRORS CAN CAUSE IMPROPER AND DANGEROUS OPERATION."
"VERIFY PROPER OPERATION AFTER SERVICING."**



**WIRING DIAGRAM, KRG485GD
029720**



PROPRIETARY
NO PART OF THIS DOCUMENT MAY BE REPRODUCED,
STORED IN A RETRIEVAL SYSTEM, OR TRANSMITTED IN
ANY FORM, WITHOUT THE WRITTEN PERMISSION OF
Hestan Commercial Corporation. THIS DOCUMENT OR ANY
COPIES SHALL BE RETURNED UPON WRITTEN REQUEST.

DESCRIPTION

**SERVICE - RANGE, 5-BURNER WITH
GRIDDLE, ALL-GAS, 48**

DRAWING NO

KRG485GD-SERVICE

REVISION

F

SHEET NO.
14 OF 17

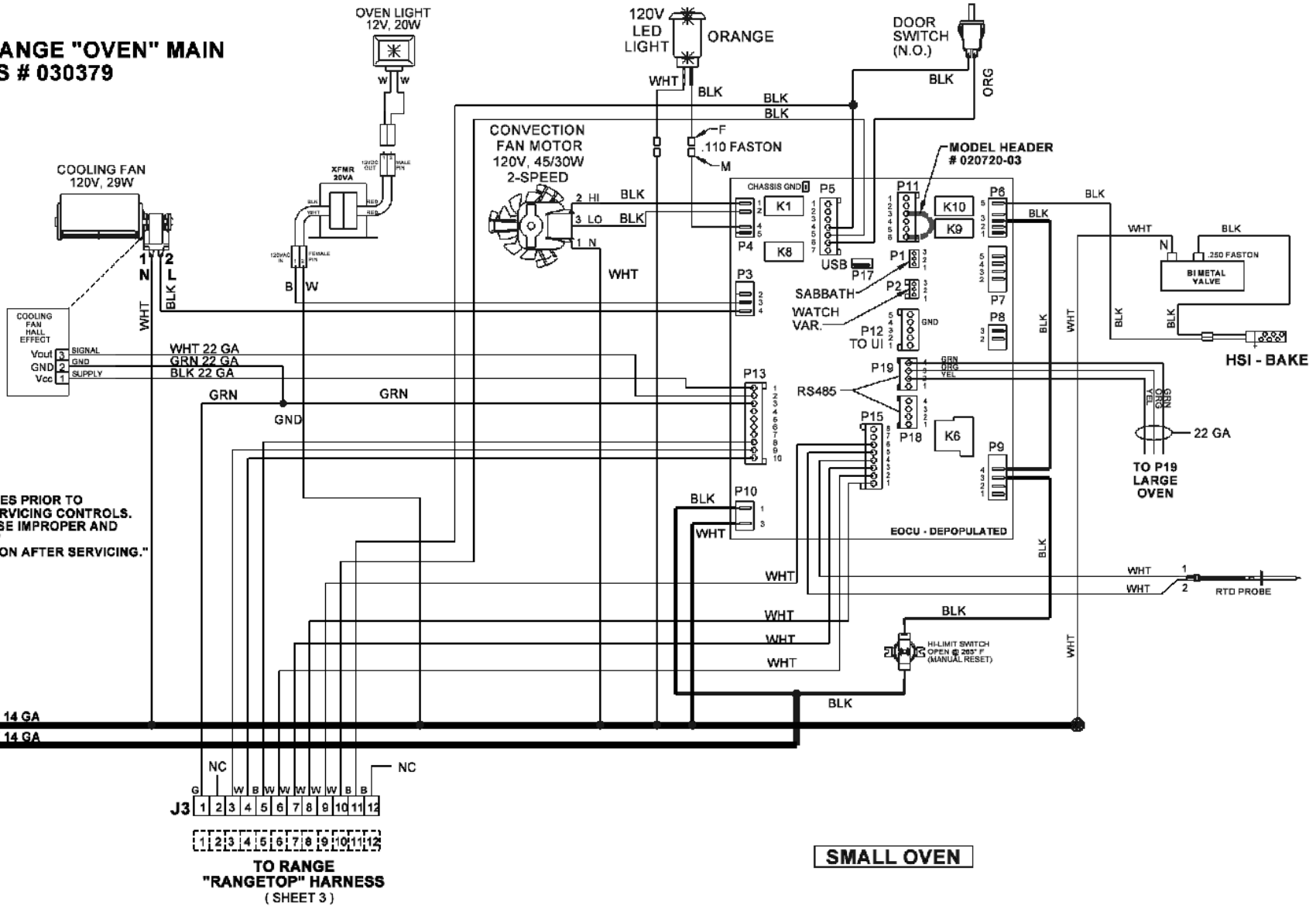
48" ALL GAS RANGE "OVEN" MAIN WIRE HARNESS # 030379

D
C
B
A

6 5 4 3 2 1

"CAUTION: LABEL ALL WIRES PRIOR TO DISCONNECTION WHEN SERVICING CONTROLS. WIRING ERRORS CAN CAUSE IMPROPER AND DANGEROUS OPERATION."
"VERIFY PROPER OPERATION AFTER SERVICING."

PWR IN FROM LARGE OVEN (Sheet 1)



SMALL OVEN

WIRING DIAGRAM, KRG485GD 029720



PROPRIETARY
NO PART OF THIS DOCUMENT MAY BE REPRODUCED, STORED IN A RETRIEVAL SYSTEM, OR TRANSMITTED IN ANY FORM, WITHOUT THE WRITTEN PERMISSION OF Hestan Commercial Corporation. THIS DOCUMENT OR ANY COPIES SHALL BE RETURNED UPON WRITTEN REQUEST.

DESCRIPTION

SERVICE - RANGE, 5-BURNER WITH GRIDDLE, ALL-GAS, 48

DRAWING NO

KRG485GD-SERVICE

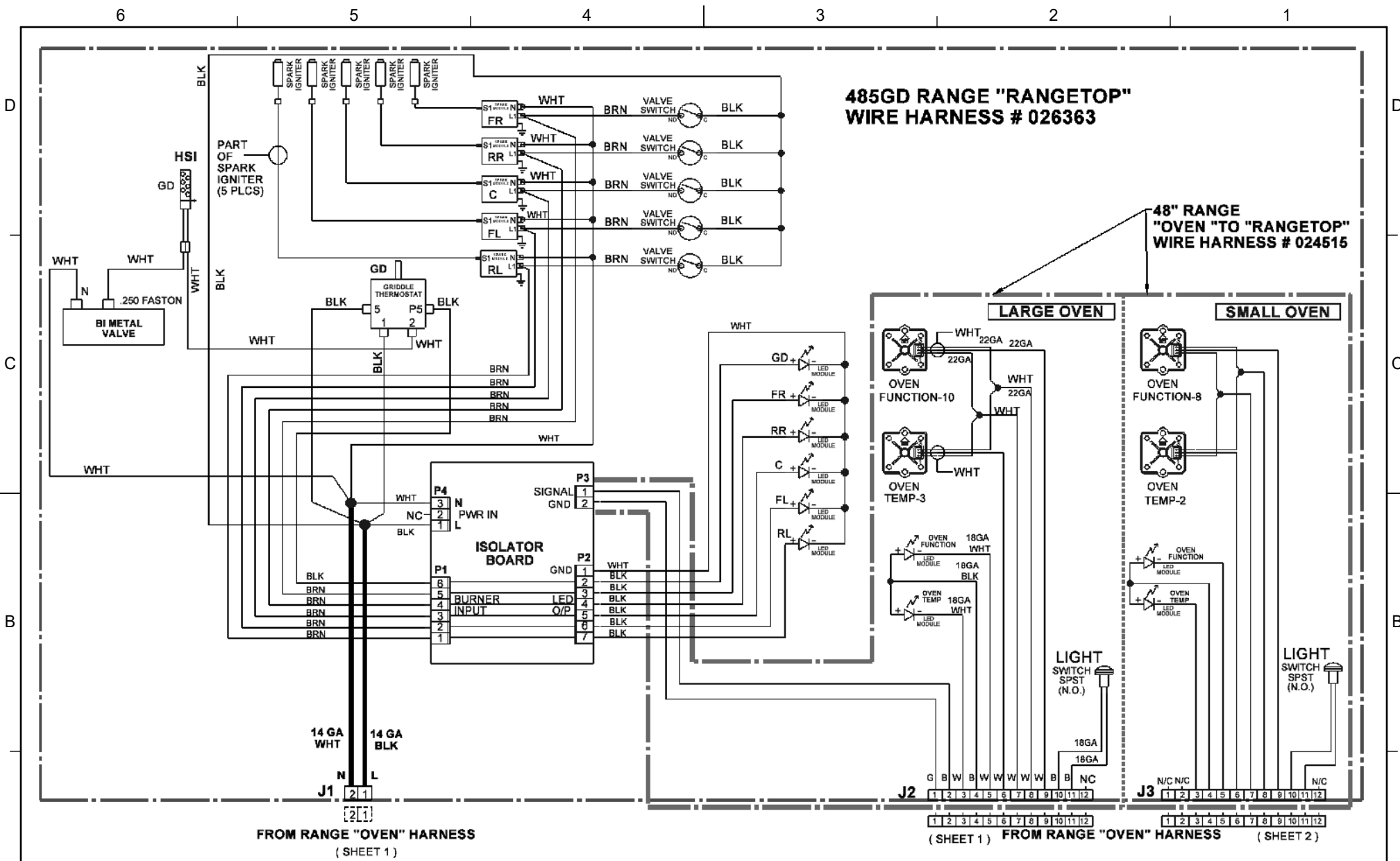
REVISION

F

SHEET NO.

15 OF 17

6 5 4 3 2 1



**WIRING DIAGRAM, KRG485GD
029720**



PROPRIETARY
NO PART OF THIS DOCUMENT MAY BE REPRODUCED,
STORED IN A RETRIEVAL SYSTEM, OR TRANSMITTED IN
ANY FORM, WITHOUT THE WRITTEN PERMISSION OF
Hestan Commercial Corporation. THIS DOCUMENT OR ANY
COPIES SHALL BE RETURNED UPON WRITTEN REQUEST.

DESCRIPTION
**SERVICE - RANGE, 5-BURNER WITH
GRIDDLE, ALL-GAS, 48**

DRAWING NO
KRG485GD-SERVICE

REVISION
F
SHEET NO.
16 OF 17

6

5

4

3

2

1

ALL-GAS RANGE ERROR CODES

Selector LEDs	Error	Priority	Detection	Action	How to clear
TEMP KNOB: OFF MODE KNOB: 1 flash	RTD	A	Open or Short.	Cancel any cooking cycle, EOCU will be inoperable.	Power down and replace or plug in RTD.
TEMP KNOB: ON MODE KNOB: 2 flashes	Invalid Model Header	A	Model Header is undefined.	This is read only at power up, EOCU will be inoperable	Power down and insert correct model header.
TEMP KNOB: ON MODE KNOB: 3 flashes	Cooling Fan Hall Effect	A	EOCU is not receiving a square wave in the allowable frequency range.	Cancel cooking operation immediately.	Turn cycle OFF. Power down and correct cooling fan issue.
TEMP KNOB: ON MODE KNOB: 5 flashes	No Restart on Power Loss	A	Power loss occurred while a cycle was running.	Once power has been restored, do not restart any oven operations.	Turn selector knobs to the OFF position.
TEMP KNOB: ON MODE KNOB: 8 flashes	Communication Error	B	RS485 serial communication is lost or unable to establish communication between EOCU(s).	For double oven units, only the small oven knob will flash with the error code indication. Only the large oven can still perform a cooking cycle. SABBATH mode is disallowed on both ovens. Small oven cooling fan will stay on.	Turn unit OFF. Power down and check RS485 connection.
TEMP KNOB: ON MODE KNOB: 9 flashes	Temperature Run-Away	A	Control detects temperature greater than or equal to 610°F during a cooking cycle.	Go into error mode and shut down oven.	Turn unit OFF. Power down and replace the EOCU.

Error Priority	Condition
A	Critical Error, turn Mode and Temp knobs OFF.
B	Non-Critical, cancel only the feature that is affected, allow oven to still operate.



PROPRIETARY
NO PART OF THIS DOCUMENT MAY BE REPRODUCED,
STORED IN A RETRIEVAL SYSTEM, OR TRANSMITTED IN
ANY FORM, WITHOUT THE WRITTEN PERMISSION OF
Hestan Commercial Corporation. THIS DOCUMENT OR ANY
COPIES SHALL BE RETURNED UPON WRITTEN REQUEST.

DESCRIPTION

**SERVICE - RANGE, 5-BURNER WITH
GRIDDLE, ALL-GAS, 48**

DRAWING NO

KRG485GD-SERVICE

REVISION

F

SHEET NO.
17 OF 17

6

5

4

3

2

1