



**Induction Range
KRI30
Parts List**

**Hestan Commercial Corporation
3375 E. La Palma Ave.
Anaheim, CA 92806
(888)905-7463**

RETAIN THIS FOR FUTURE REFERENCE

6

5

4

3

2

1

D

C

B

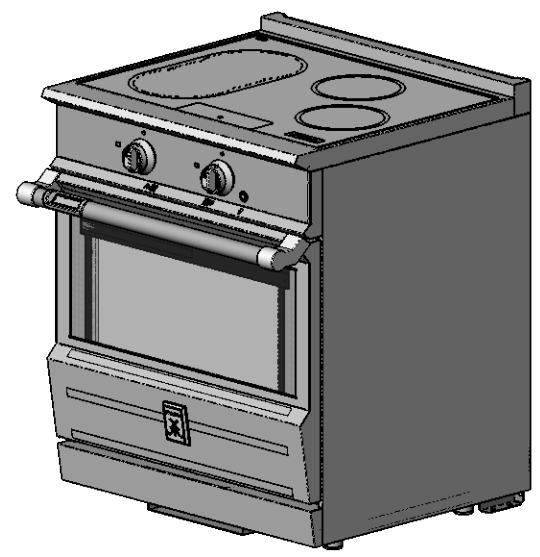
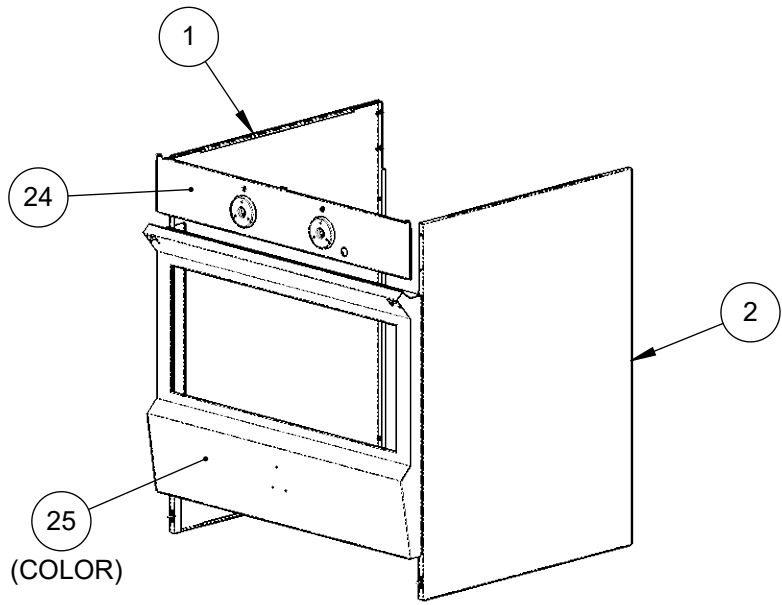
A

D

C

B

A



All warranty and non-warranty repairs should be performed by qualified service personnel. To locate an authorized service agent, contact your Hestan dealer, local representative, or the manufacturer. Before you call, please have the model number and serial number information ready.
 Hestan Commercial Corp.
 (888) 905-7463

Color Extension (-XX)	Description
	Stainless Steel
-BK	Stealth - Black
-WH	Froth - White
-RD	Matador - Red
-YW	Sol - Yellow
-OR	Citra - Orange
-BG	Tin Roof - Burgundy
-PP	Lush - Purple
-BU	Prince - Blue
-GR	Grove - Green
-GG	Pacific Fog - Graphite Gray
-TQ	Bora Bora - Turquoise

SEE SHEET 3 FOR PARTS LIST



PROPRIETARY
 NO PART OF THIS DOCUMENT MAY BE REPRODUCED,
 STORED IN A RETRIEVAL SYSTEM, OR TRANSMITTED IN
 ANY FORM, WITHOUT THE WRITTEN PERMISSION OF
 Hestan Commercial Corporation. THIS DOCUMENT OR ANY
 COPIES SHALL BE RETURNED UPON WRITTEN REQUEST.

DESCRIPTION
SERVICE - RANGE, INDUCTION, 30"

DRAWING NO
KRI30-SERVICE

REVISION
D
 SHEET NO.
1 OF 13

6

5

4

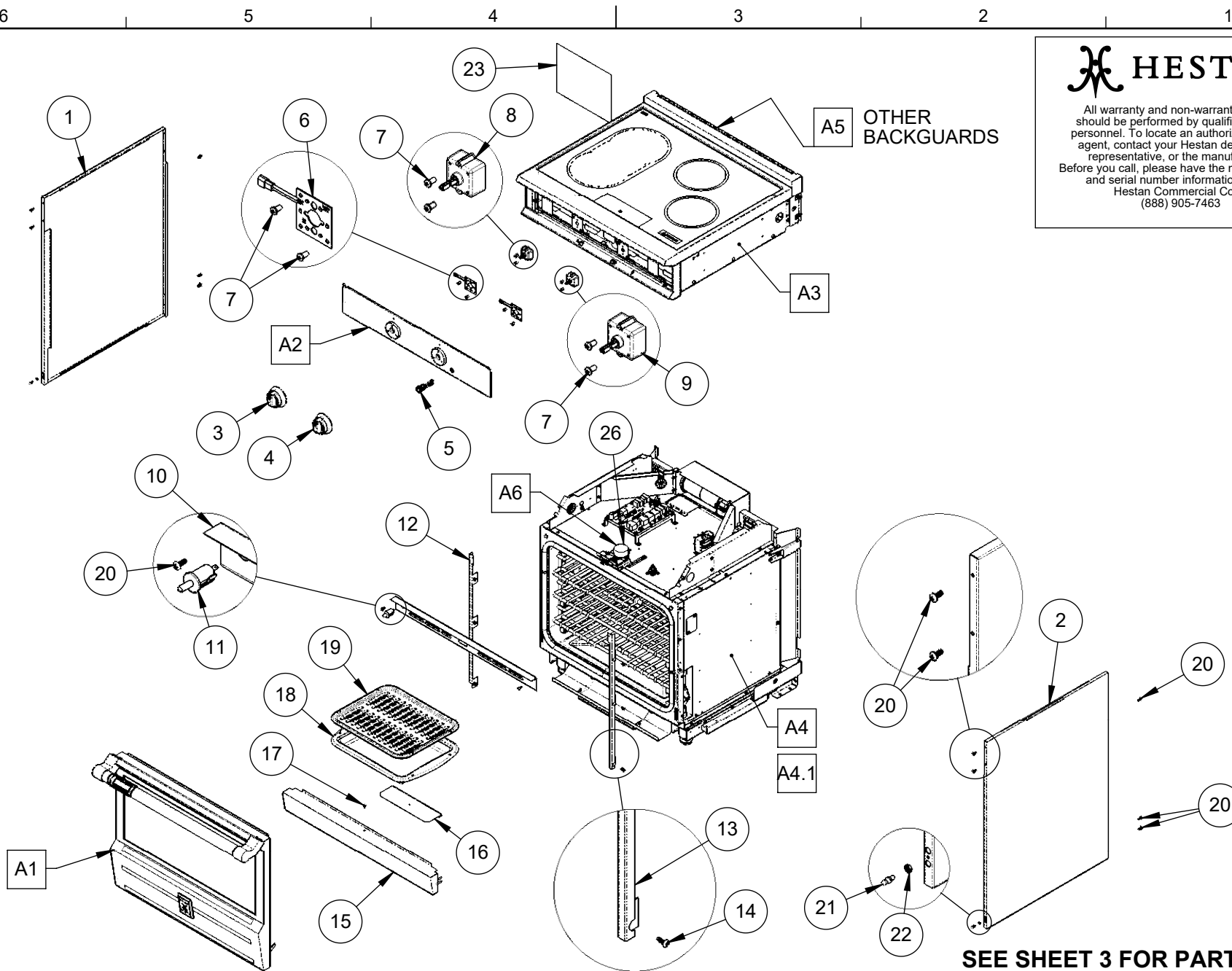
3

2

1



All warranty and non-warranty repairs should be performed by qualified service personnel. To locate an authorized service agent, contact your Hestan dealer, local representative, or the manufacturer. Before you call, please have the model number and serial number information ready.
 Hestan Commercial Corp.
 (888) 905-7463



SEE SHEET 3 FOR PARTS LIST



PROPRIETARY
 NO PART OF THIS DOCUMENT MAY BE REPRODUCED, STORED IN A RETRIEVAL SYSTEM, OR TRANSMITTED IN ANY FORM, WITHOUT THE WRITTEN PERMISSION OF Hestan Commercial Corporation. THIS DOCUMENT OR ANY COPIES SHALL BE RETURNED UPON WRITTEN REQUEST.

DESCRIPTION
SERVICE - RANGE, INDUCTION, 30"

DRAWING NO
KRI30-SERVICE

REVISION
D
 SHEET NO.
 2 OF 13



All warranty and non-warranty repairs should be performed by qualified service personnel. To locate an authorized service agent, contact your Hestan dealer, local representative, or the manufacturer. Before you call, please have the model number and serial number information ready.
 Hestan Commercial Corp.
 (888) 905-7463

ITEM	PART NUMBER	DESCRIPTION	QTY.
1	017663	ASSY, PANEL, SIDE, LEFT, 36" RANGE	1
2	017664	ASSY, PANEL, SIDE, RIGHT, 36" RANGE	1
3	018379	KNOB ASSEMBLY, OVEN FUNCTION, RESIDENTIAL INDOOR	1
4	018380	KNOB ASSEMBLY, OVEN TEMP, RESIDENTIAL INDOOR	1
5	020971	SWITCH, PUSHBUTTON, 19mm, SPST, 5A, 250VAC	1
6	017612	LED MODULE, KNOB LIGHTING	2
7	011857	SERVICE, MS, 8-32 X .375, PH, PAN, SS, PKG 6	1
8	018073	SELECTOR, 10 POSITION, RESIDENTIAL INDOOR	1
9	018072	SELECTOR, 3 POSITION, RESIDENTIAL INDOOR	1
10	026503	GRILL, FRONT, RANGETOP, 30"	1
11	018023	SWITCH, PLUNGER, N.O., OVEN DOOR	1
12	028540	TRIM, SIDE, LH, 30" RANGE	1
13	022772	TRIM, SIDE, RH, 48" RANGE	1
14	024256	SERVICE, SMS, #8 X 1/2, PH, ROUND, BLK-OXIDE, SS, PKG 4	1
15	034204	SERVICE, PANEL, KICK, 30" RANGE	1
16	026511	BRACKET, SUPPORT, KICK PANEL, 30" RANGE	1
17	011852	SERVICE, SMS, #8-32 X 3/8, PH, PAN, TYPE F, SS, PKG 4	1
18	007648	PAN, DRIP, ACCESSORY, GRILL	1
19	019010	INSERT, BROILER PAN, INDOOR RANGE	1
20	010242	SERVICE, SMS, #10-24 X 1/2, PH, PAN, TYPE F, SS, PKG 10	1
21	012687	SERVICE, BALL STUD, MALE, 6-32UNC, .052-.078 PNL THK, PKG 4	1
22	012688	SERVICE, NUT, KEPS, 6-32, SS, PKG 4	1
23	034556	WIRING DIAGRAM, 30 INDUCTION RANGE	1
24	035508	SERVICE, ASSY, CONTROL PANEL INDERT, 30" INDUCTION RANGE	1
25	033666-XX	SERVICE, ASSY, DOOR SKIN, LARGE OVEN, 48" RANGE	1
26	048875	SERVICE, KIT, DOOR LATCH REPLACEMENT, INDOOR RANGE	1

SEE SHEET 1 FOR ITEMS 24 & 25.



PROPRIETARY
 NO PART OF THIS DOCUMENT MAY BE REPRODUCED, STORED IN A RETRIEVAL SYSTEM, OR TRANSMITTED IN ANY FORM, WITHOUT THE WRITTEN PERMISSION OF Hestan Commercial Corporation. THIS DOCUMENT OR ANY COPIES SHALL BE RETURNED UPON WRITTEN REQUEST.

DESCRIPTION

SERVICE - RANGE, INDUCTION, 30"

DRAWING NO

KRI30-SERVICE

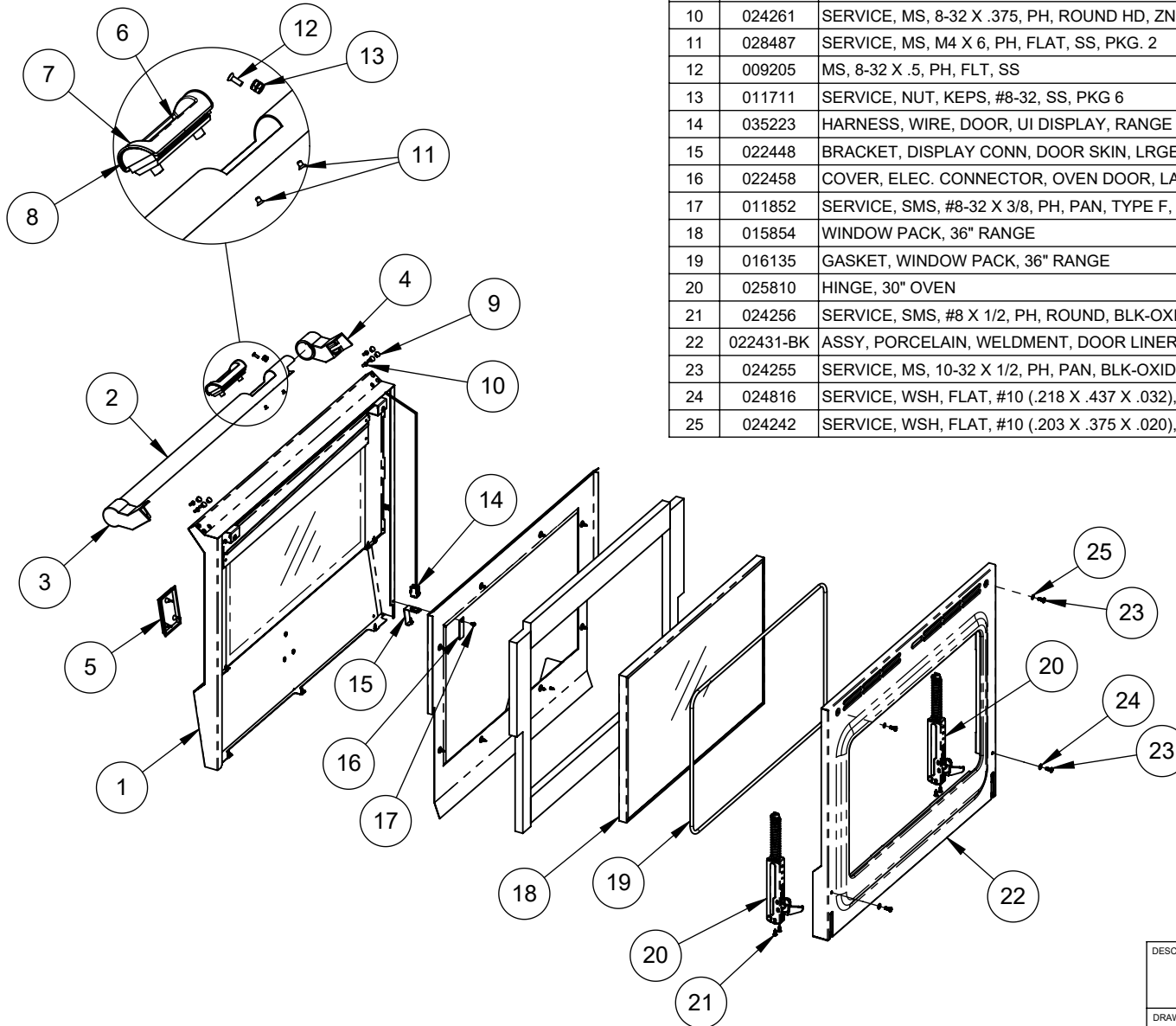
REVISION

D

SHEET NO.

3 OF 13

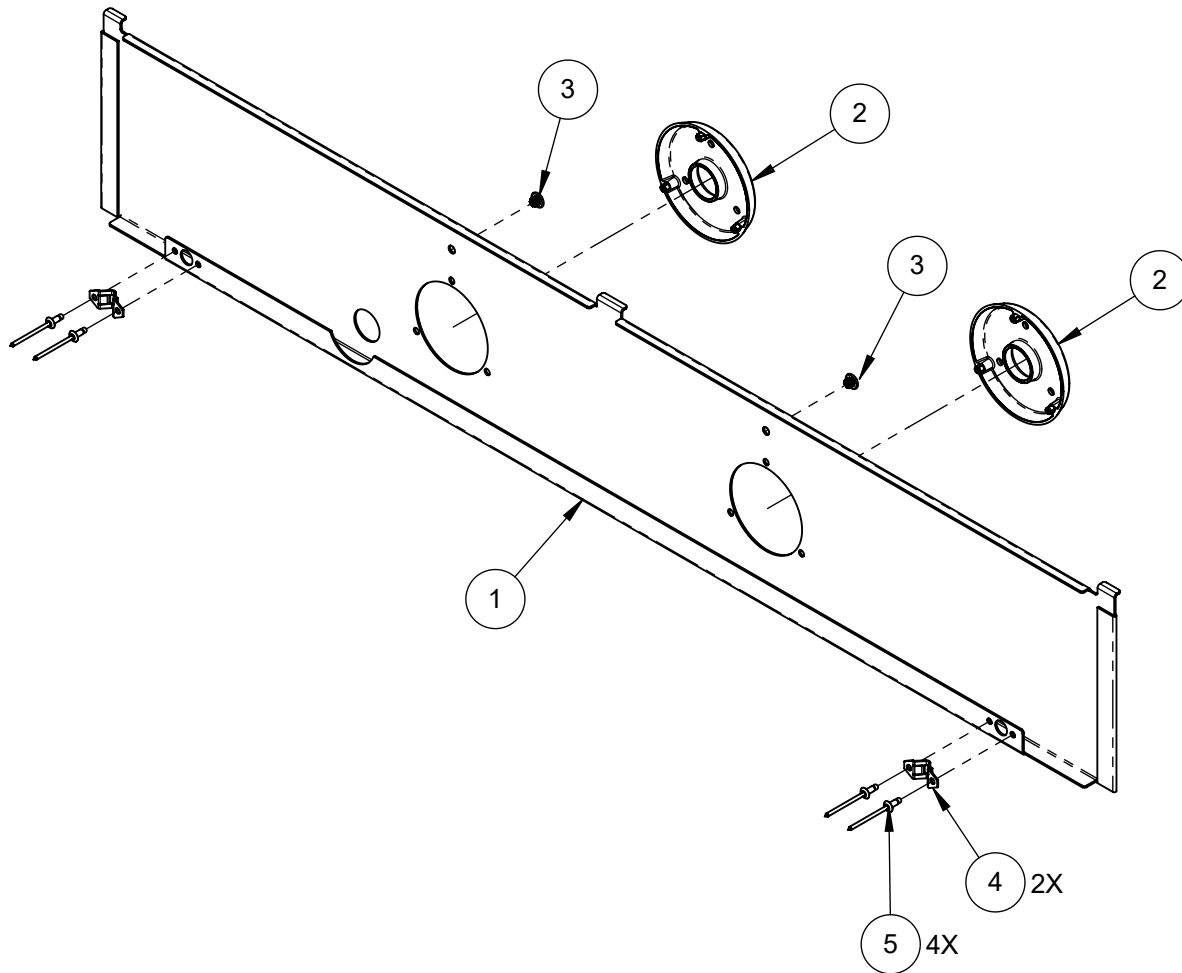
ITEM	PART NO.	DESCRIPTION	QTY.
1	033666-XX	SERVICE, ASSY, DOOR SKIN, LARGE OVEN, 48" RANGE	1
2	022450	HANDLE, DOOR, OVEN, LARGE, 48" RANGE	1
3	017153	ENDCAP, HANDLE, RH, OVEN DOOR, INDOOR	1
4	017152	ENDCAP, HANDLE, LH, OVEN DOOR, INDOOR	1
5	024252	SERVICE, LARGE HESTAN LOGO W/ RETAINING RINGS	1
6	018199	DISPLAY, UI, INDOOR OVEN	1
7	024226	SERVICE, BEZEL, DISPLAY, UI, OVEN	1
8	024225	SERVICE, GASKET, DISPLAY, UI, OVEN	1
9	024258	SERVICE, PLUG, SNAP-IN, 5/16 HOLE, .047 - .078 PANEL THK, STEEL, NICKEL PLATED, PKG 4	1
10	024261	SERVICE, MS, 8-32 X .375, PH, ROUND HD, ZN, PKG 6	1
11	028487	SERVICE, MS, M4 X 6, PH, FLAT, SS, PKG. 2	1
12	009205	MS, 8-32 X .5, PH, FLT, SS	1
13	011711	SERVICE, NUT, KEPS, #8-32, SS, PKG 6	1
14	035223	HARNES, WIRE, DOOR, UI DISPLAY, RANGE (VW-1/FT1)	1
15	022448	BRACKET, DISPLAY CONN, DOOR SKIN, LRGE OVEN, 48" RANGE	1
16	022458	COVER, ELEC. CONNECTOR, OVEN DOOR, LARGE, 48" RANGE	1
17	011852	SERVICE, SMS, #8-32 X 3/8, PH, PAN, TYPE F, SS, PKG 4	1
18	015854	WINDOW PACK, 36" RANGE	1
19	016135	GASKET, WINDOW PACK, 36" RANGE	1
20	025810	HINGE, 30" OVEN	2
21	024256	SERVICE, SMS, #8 X 1/2, PH, ROUND, BLK-OXIDE, SS, PKG 4	1
22	022431-BK	ASSY, PORCELAIN, WELDMENT, DOOR LINER, LARGE OVEN, 48" RANGE, BLACK	1
23	024255	SERVICE, MS, 10-32 X 1/2, PH, PAN, BLK-OXIDE, SS, PKG. 4	1
24	024816	SERVICE, WSH, FLAT, #10 (.218 X .437 X .032), BLK-OXIDE, 18-8 SS, PKG 2	1
25	024242	SERVICE, WSH, FLAT, #10 (.203 X .375 X .020), BLK-OXIDE, 18-8 SS, PKG 6	1



HESTAN

DESCRIPTION **SERVICE, DOOR ASSEMBLY, DF RANGE, 30"**
DRAWING NO **A1**

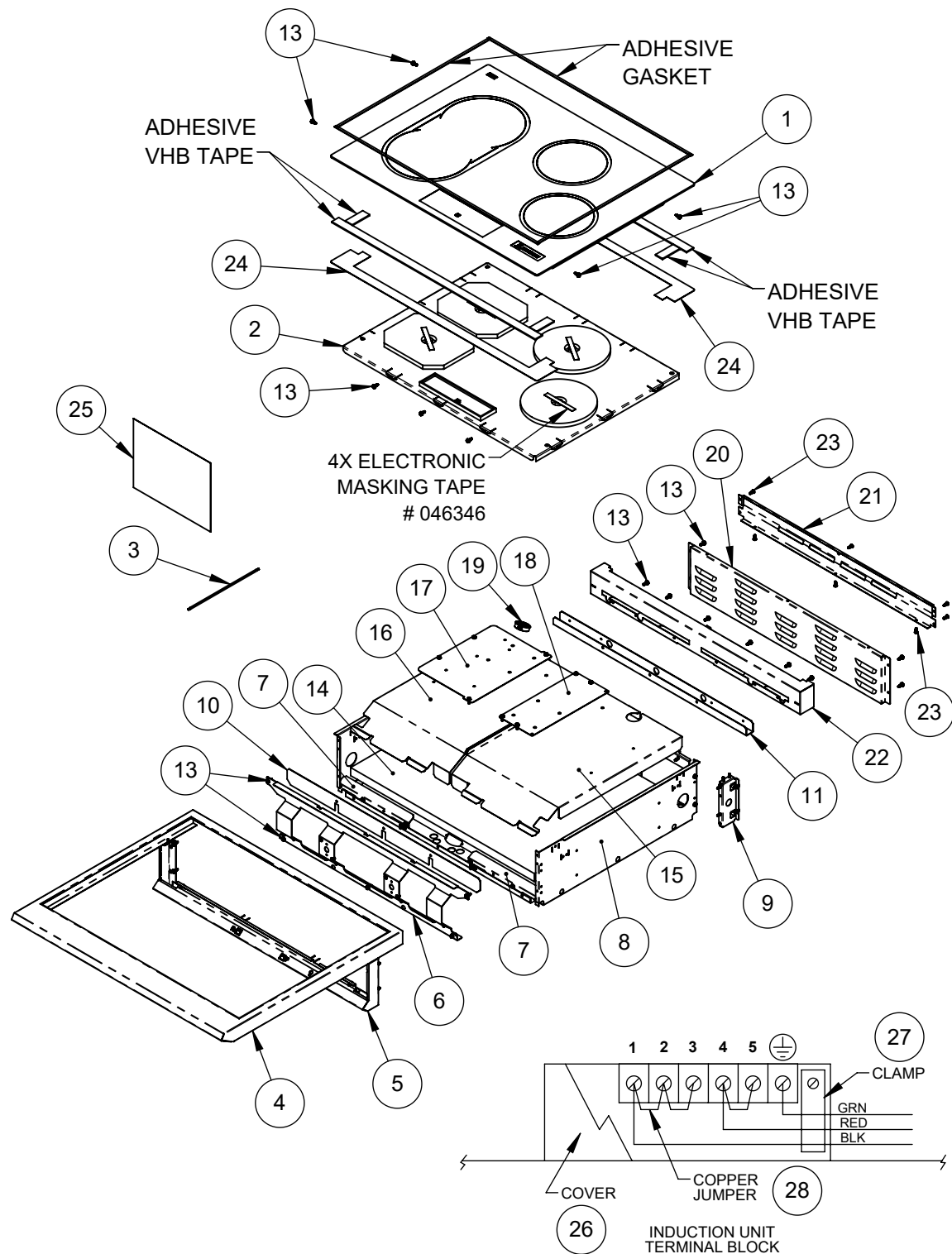
ITEM NO.	PART NUMBER	DESCRIPTION	QTY.
1	034154	INSERT, CONTROL PANEL, 30 INDUCTION RANGE	1
2	019744	DIFFUSER LENS, PRESS FIT	2
3	009871	PLUG FOR 1/4-20 SHCS, CHROME	2
4	000852	RECEPTACLE, BALL STUD, 18LB PULL, ZN, C1663-028-3B	2
5	003110	POP RIVET, 1/8DIA X .275L, SS	4



HESTAN

DESCRIPTION	SERVICE, ASSY, CONTROL PANEL INSERT, 30" INDUCTION RANGE
DRAWING NO	A2

REF. 035508

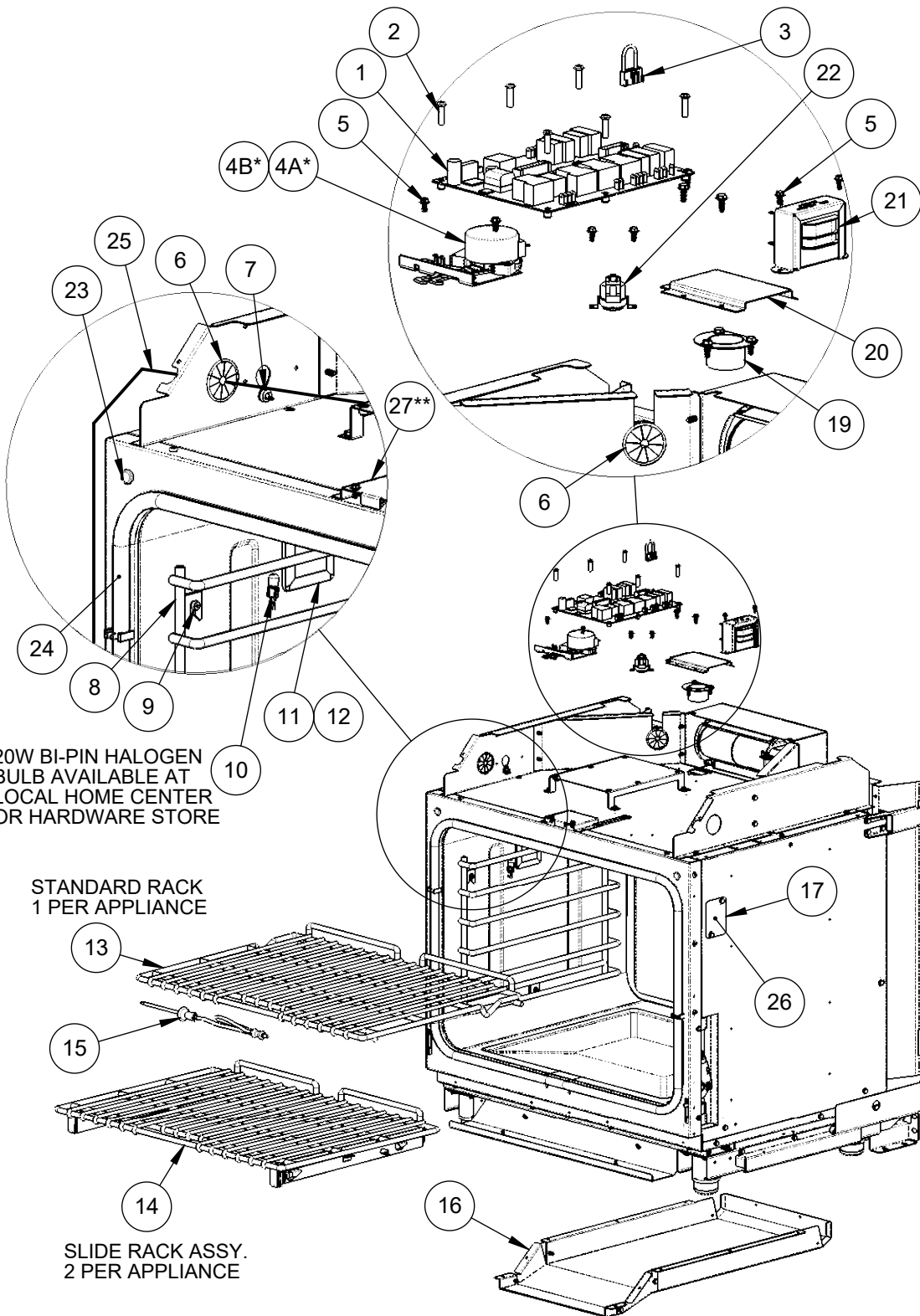


ITEM	PART NUMBER	DESCRIPTION	QTY.
1	034232-BK	GLASS ASSEMBLY, INDUCTION RANGE 30 - BLACK	1
2	034029	INDUCTION UNIT, 30"	1
3	034553	HARNESS, WIRE, INDUCTION RANGE (VW-1/FT1)	1
4	034156	BULLNOSE, INDUCTION RANGETOP, WA - 30	1
5	026442-3	CONTROL PANEL, CHIN ASSY - 304 INDUCTION	1
6	034482	CROSSMEMBER, FRONT, FRAME, INDUCTION RANGETOP - 30	1
7	035582	BRACKET, RETAINER, INSULATION	2
8	034186	FRAME, RANGETOP, RESIDENTIAL INDOOR - 30 INDUCTION	1
9	032936	BRACKET, MOUNTING, RISER, REAR ACCESS, RANGETOP	2
10	046371	BRACKET, INDUCTION, FRONT - 30	1
11	046374	BRACKET, INDUCTION, REAR - 30	1
13	024263	SERVICE, SMS, #10-24 X .50, HEXWSH, TYPE F, SS, PKG 10	1
14	024019	INSULATION, BOTTOM, 1" THK, LARGE OVEN, 48" RANGE	1
15	035615	COVER, INSULATION, INDUCTION	1
16	035622	COVER, INSULATION, INDUCTION - LH	1
17	019412	COVER, OVEN ACCESS, RANGETOP	1
18	020750	PLATE, MOUNTING, ISOLATOR BOARD	1
19	018393	SNAP BUSHING, 1.06" MAX ID, BLACK	1
20	028253	REAR COVER, 30" RANGETOP	1
21	028252	COVER, RISER, ISLAND, RESIDENTIAL INDOOR - 30	1
22	033013	RISER, ISLAND, INNER SIDE MOUNT, RESIDENTIAL INDOOR - 30	1
23	010242	SERVICE, SMS, #10-24 X 1/2, PH, PAN, TYPE F, SS, PKG 10	1
24	035390	BRACKET, BONDED, REAR, INDUCTION GLASS - 30	2
25	034556	WIRING DIAGRAM, 30 INDUCTION RANGE	1
26	035514	COVER, ELECTRICAL, INDUCTION	1
27	035513	CLAMP TERMINAL, WIRING, INDUCTION UNIT	1
28	035510	JUMPER, COPPER, INDUCTION	3

DESCRIPTION

DRAWING NO

HESTAN
SERVICE - RANGE,
INDUCTION, 30"
A3



ITEM NO.	PART NO.	DESCRIPTION	QTY.
1	016513	RELAY BOARD, ELAN, EOC-U	1
2	014557	SERVICE, MS, 8-32 X .75, PH, PAN, SS, PKG 4	1
3	020720-04	MODEL HEADER, EOCU BOARD	1
4A *	021174	LATCH, DOOR	1
4B *	044954	LATCH, DOOR, NEO	1
5	011852	SERVICE, SMS, #8-32 X 3/8, PH, PAN, TYPE F, SS, PKG 4	1
6	018393	SNAP BUSHING, 1.06" MAX ID, BLACK	2
7	018555	STRAIN RELIEF, SNAP-IN, 1/2" KNOCKOUT	1
8	018230	RACK, LADDER, LH & RH, RANGE, W/A	2
9	017446	SB, #8-32 X 3/16 DIA X 1/4L, SS, PKG 2	1
10	018142	SERVICE, BULB, HALOGEN, G4 BI-PIN, 20W, PKG 2	1
11	024352	SERVICE, LENS, LAMP, HALOGEN, 12V 20W, 65 X 80 mm	1
12	017916	ASSY, LAMP, HALOGEN, 12V 20W, 65 X 80 mm	2
13	028687	RACK, NO SLIDES, INDOOR OVEN, 30"	1
14	023544	RACK, WITH SLIDES, INDOOR OVEN, 30"	2
15	018533	PROBE, MEAT	1
16	028416	SERVICE, EXHAUST DUCT ASSY., 30/36 RANGE	1
17	018864	ACCESS PANEL, MEAT PROBE, 36" RANGE	2
18	016514	BRACKET, SUPPORT, RELAY BOARD	1
19	018854	DUCT, SMOKE ELIMINATOR, WA	1
20	018234	DUCT, SMOKE ELIMINATOR	1
21	016512	TRANSFORMER, 40VA, 120VAC TO 12/24V	1
22	018024	SWITCH, HI-LIMIT	1
23	010197	SERVICE, BUMPER, RUBBER, .50 DIAM. X .250 H, PKG 4	1
24	023845	GASKET ASSY, CELL, OVEN, LARGE OVEN, 48" RANGE	1
25	035224	HARNESS, WIRE, OVEN, UI DISPLAY, RANGE (VW-1/FT1)	1
26	018425	SOCKET, MEAT PROBE	1
27**	044956	BRACKET, NEO DOOR LATCH MOUNTING	1

* ITEM 4A: DOOR LATCH (OLD)

* ITEM 4B: DOOR LATCH (NEW)

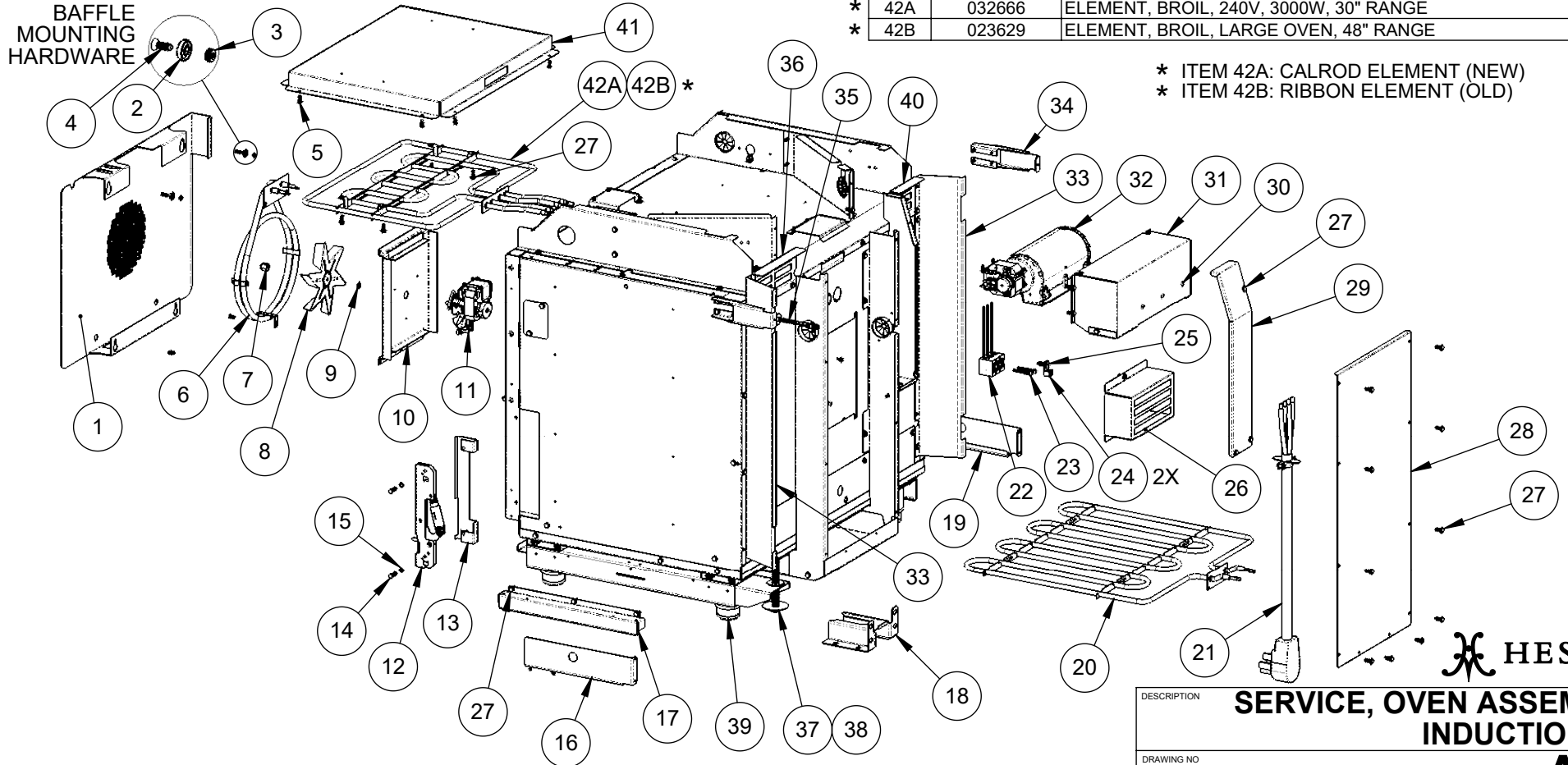
** ITEM 27: FOR NEO LATCH ONLY

HESTAN

DESCRIPTION	SERVICE, OVEN ASSEMBLY, INDUCTION. 30"
DRAWING NO	A4

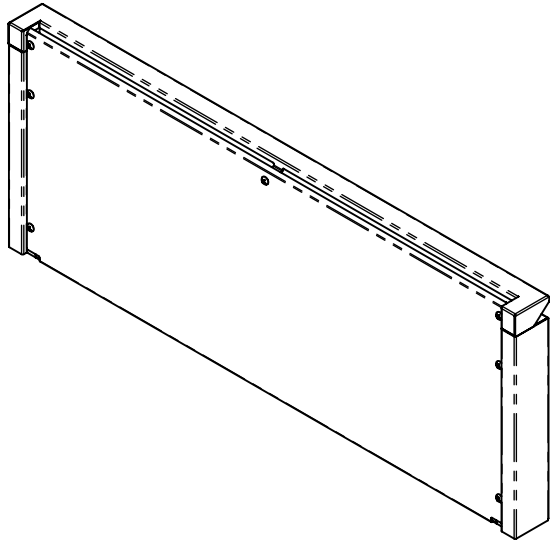
ITEM NO.	PART NO.	DESCRIPTION	QTY.
1	023862-BK	BAFFLE, CONVECTION, PORCELAINED, LARGE OVEN, 48" RANGE	1
2	021171	WSH, C'SUNK, #8, SS	2
3	021172	WSH, FLAT, #8 (.169 X .304 X .032), SS	8
4	021173	SMS, #8-32 X 1/2, FLT, PH, TYPE F, SS	2
5	024256	SERVICE, SMS, #8 X 1/2, PH, ROUND, BLK-OXIDE, SS, PKG 4	1
6	017889	ELEMENT, CONVECTION, 240V 2600W, INDOOR RANGE	1
7	017918	NUT, HEX, CONV FAN, 1/4-28	1
8	017917	BLADE, CONV FAN, 152mm	1
9	018860	WASHER, FLAT, M6	1
10	015529	PLATE, MOUNTING, CONVECTION FAN MOTOR, 36" RANGE	1
11	015530	FAN, CONVECTION, 36" RANGE	1
12	015856-01	RECEIVER, DAMPED, 36" RANGE	2
13	015588	ASSY, WELDMNT, HOLDER, HINGE, RIGHT, 36" RANGE	2
14	024257	SERVICE, MS, 10-32 X 3/4", HEX, ZINC PLATED, STEEL, PKG 4	1
15	024242	SERVICE, WSH, FLAT, #10 (.203 X .375 X .020), BLK-OXIDE, 18-8 SS, PKG 6	1
16	022776	SUPPORT, PANEL, SIDE, RIGHT, LOWER, 48" RANGE	1
17	022775	SPACER, BOTTOM, PANEL, SIDE, 48" RANGE	2
18	029078	ANTI-TIP BRACKET, SMALL, INDOOR RANGE	1

19	022778	SUPPORT, PANEL, SIDE, LEFT, LOWER, 48" RANGE	1
20	022307	ASSY, ELEMENT, BAKE, LARGE OVEN, 48" RANGE	1
21	024031	CORD, POWER, 6 FT, NEMA 14-50P, 40A, W/ STRAIN RELIEF	1
22	035221	HARNESS, WIRE, MAIN, RANGE, 30"/36" (VW-1/FT1)	1
23	021800	MS, 8-32 X 1.50, PH, ROUND HD, ZN	2
24	018910	GROUNDING LUG, 1 WIRE, 14-4 AWG	1
25	024253	SERVICE, MS, 1/4-20 x 3/4", PH, PAN, ZN, PKG 4	1
26	020312	COVER, RTD PROBE	1
27	024263	SERVICE, SMS, #10-24 X .50, HEXWSH, TYPE F, SS, PKG 10	1
28	018040	COVER, REAR, DUCT, EXHAUST, 36" RANGE	1
29	019229	ACCESS PANEL, WIRE COVER, INDOOR RANGE	1
30	011852	SERVICE, SMS, #8-32 X 3/8, PH, PAN, TYPE F, SS, PKG 4	1
31	015521	HOUSING, FAN, COOLING, 36" RANGE	1
32	015522	FAN, COOLING, RANGE	1
33	019373	REAR COVER, LH, 36" RANGE	2
34	024023	SUPPORT, PANEL, SIDE, UPPER, 48" RANGE	2
35	018092	RTD PROBE, W/FLANGE, AMP CONNECTOR	1
36	024435	REAR COVER, RH-TOP, 48" RANGE	1
37	020268	WSH, FLAT, 1/2 (.531 X 2.00 X .051), ZN-PLATED STEEL	1
38	018907	HB, 1/2-13 X 4, ZN-PLATED STEEL	1
39	018695	LEG, ADJUSTABLE, 3.15 - 4.75" RANGE	4
40	028535	REAR COVER, RH-TOP, 30" RANGE	1
41	032266	HEAT SHIELD, BROIL, 36" & 30" OVEN, 36" & 48" RANGE	1
* 42A	032666	ELEMENT, BROIL, 240V, 3000W, 30" RANGE	1
* 42B	023629	ELEMENT, BROIL, LARGE OVEN, 48" RANGE	1

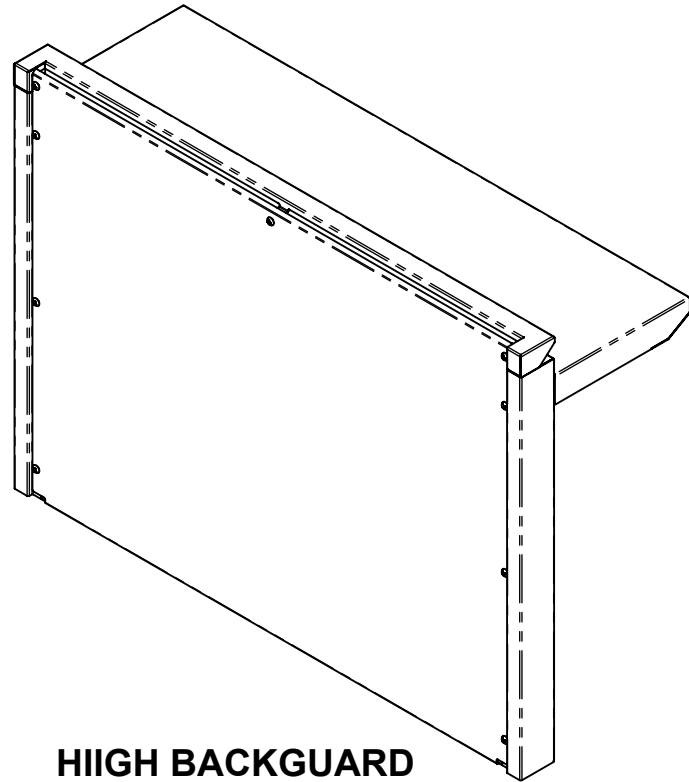


DESCRIPTION
**SERVICE, OVEN ASSEMBLY,
INDUCTION, 30"**

DRAWING NO
A4.1



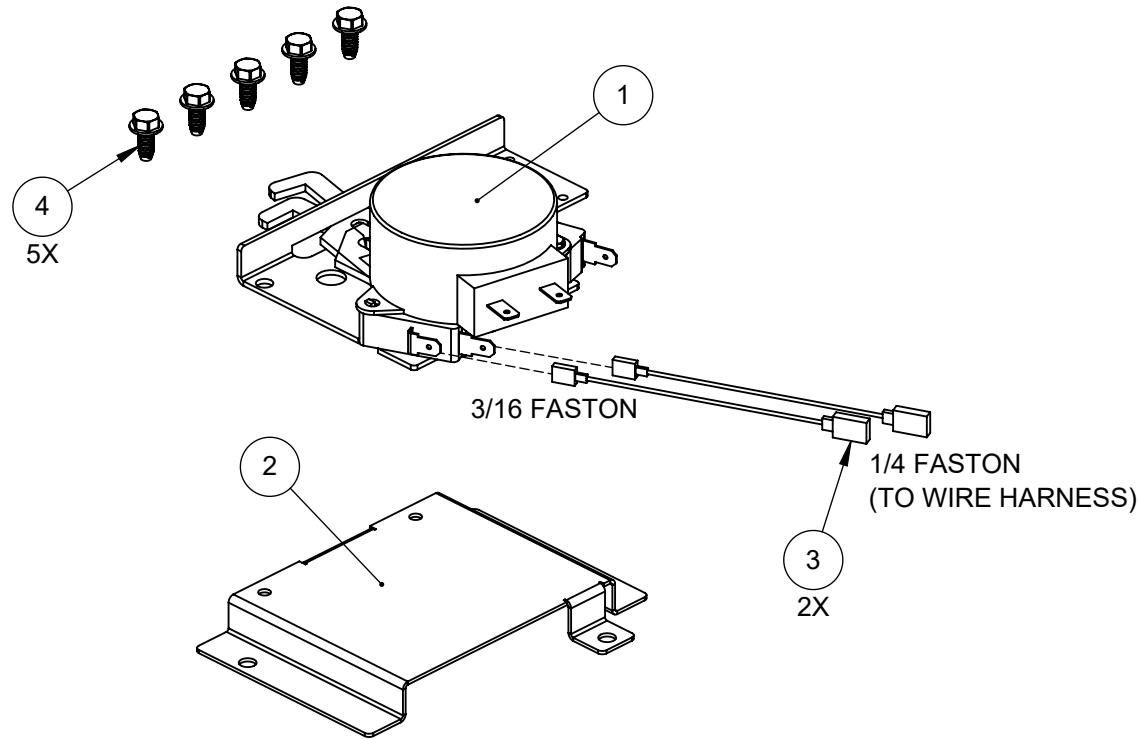
LOW BACKGUARD
SOLD AS COMPLETE ASSY - P/N 033024
(**KBGLB30**)



HIGH BACKGUARD
W/ SHELF
SOLD AS COMPLETE ASSY - P/N 033036
(**KBGHS30**)
OR SHELF ONLY - P/N 028600

 **HESTAN**

DESCRIPTION
SERVICE, OTHER BACKGUARDS - 30"
DRAWING NO
A5

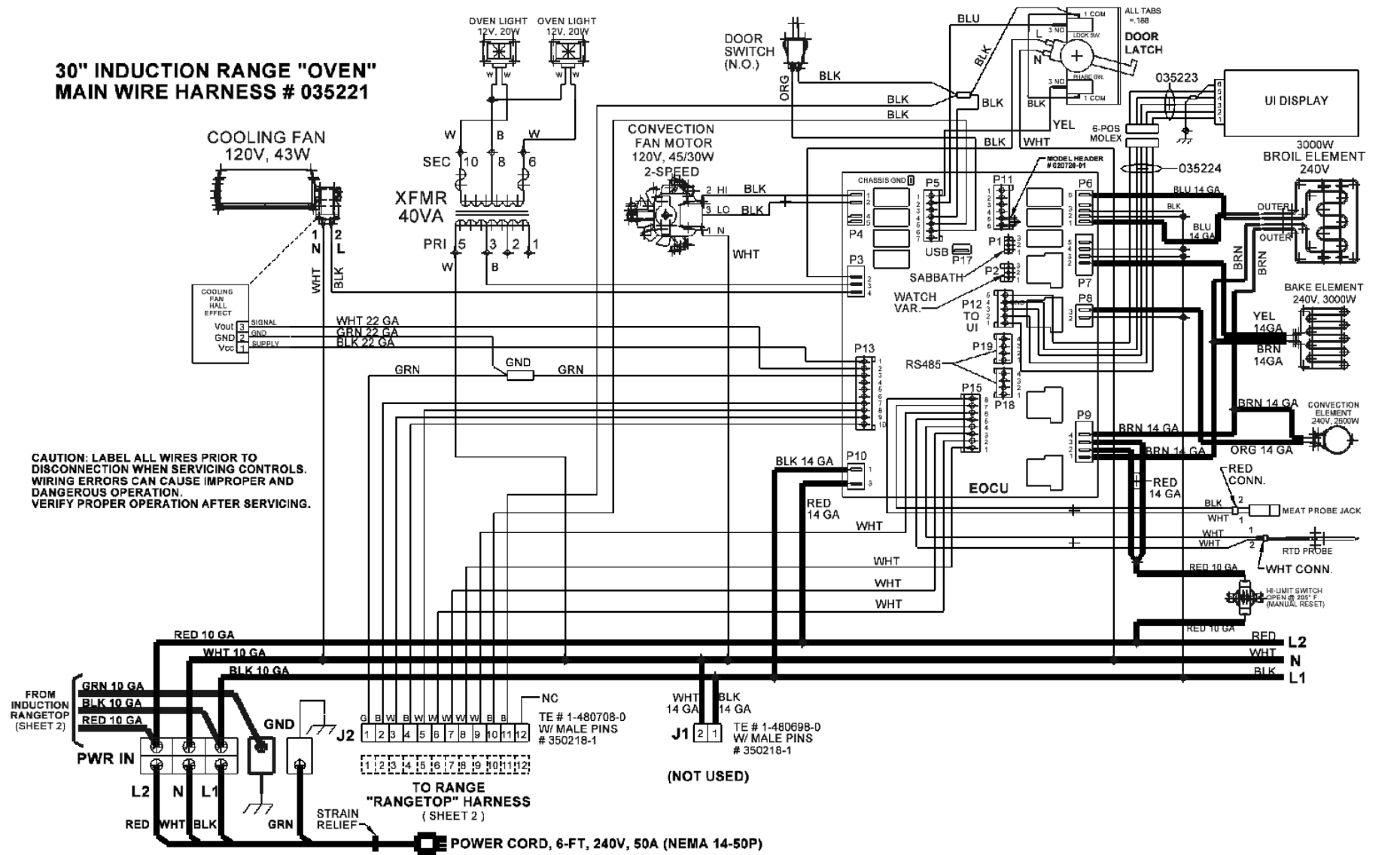


BOM			
ITEM NO.	PART NUMBER	DESCRIPTION	QTY.
1	044954	LATCH, DOOR, NEO	1
2	044956	BRACKET, NEO DOOR LATCH MOUNTING	1
3	037446	HARNESS, WIRE, ADAPTER, 1/4 TO 3/16 FASTON	2
4	028449	SMS, #8-32 X 3/8, HEXWSH, TYPE F, SS	5

 HESTAN

DESCRIPTION	SERVICE, KIT, DOOR LATCH REPLACEMENT, INDOOR RANGE
DRAWING NO	
A6	

**30" INDUCTION RANGE "OVEN"
MAIN WIRE HARNESS # 035221**



**WIRING DIAGRAM, 30 INDUCTION RANGE
034556**

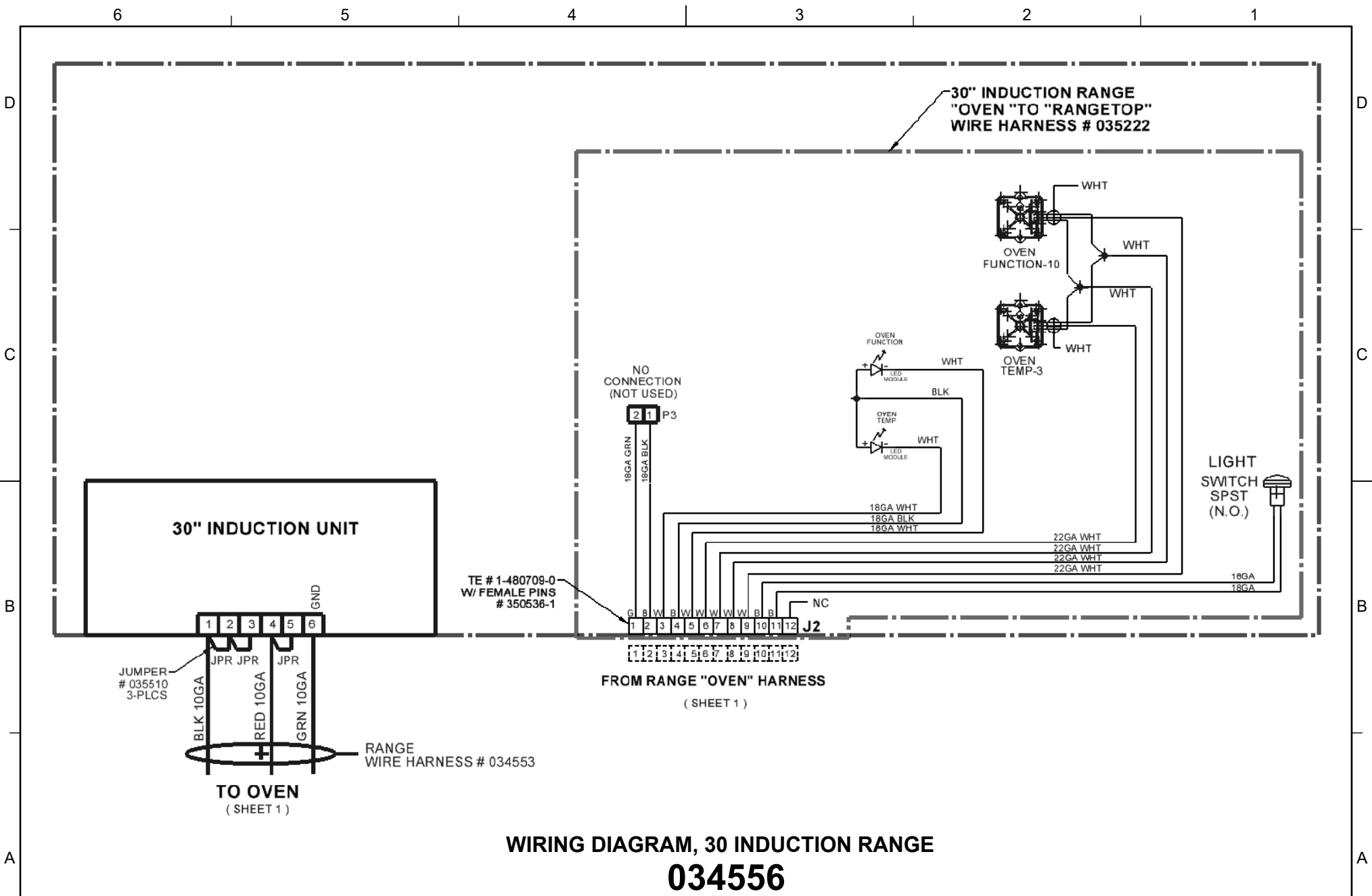


PROPRIETARY
NO PART OF THIS DOCUMENT MAY BE REPRODUCED,
STORED IN A RETRIEVAL SYSTEM, OR TRANSMITTED IN
ANY FORM, WITHOUT THE WRITTEN PERMISSION OF
Hestan Commercial Corporation. THIS DOCUMENT OR ANY
COPIES SHALL BE RETURNED UPON WRITTEN REQUEST.

DESCRIPTION
SERVICE - RANGE, INDUCTION, 30"

DRAWING NO
KRI30-SERVICE

REVISION
D
SHEET NO.
11 OF 13



**WIRING DIAGRAM, 30 INDUCTION RANGE
034556**



PROPRIETARY
NO PART OF THIS DOCUMENT MAY BE REPRODUCED,
STORED IN A RETRIEVAL SYSTEM, OR TRANSMITTED IN
ANY FORM, WITHOUT THE WRITTEN PERMISSION OF
Hestan Commercial Corporation. THIS DOCUMENT OR ANY
COPIES SHALL BE RETURNED UPON WRITTEN REQUEST.

DESCRIPTION
SERVICE - RANGE, INDUCTION, 30"

DRAWING NO
KRI30-SERVICE

REVISION
D
SHEET NO.
12 OF 13

6

5

4

3

2

1

Range Error Codes						
Ver 4 - updated 6/30/2020						
EOCU (Control Board) Errors	Display	Priority	Error	Detection	Action	How to Clear
	ERROR 01	A	Door Latch	Door lock is not at the unlocked position during a cook or a locked position during a clean.	If in clean cycle, cancel cycle and try to lock door. If door does not lock after 1 minute, then display error. If in a cooking cycle, try to cycle motor until it is in the unlocked state.	Turn oven knobs off. Power down and correct door lock issue.
	ERROR 02	A	RTD	Open or Short.	Cancel any cook or clean cycle, EOCU will be inoperable.	Turn oven knobs off. Power down and replace or plug in RTD.
	ERROR 03	A	Cooling Fan Hall Effect	EOCU is not receiving a square wave in the allowable frequency range.	Cancel bake or clean operation immediately.	Turn oven knobs off. Power down and correct cooling fan issue.
(Determined in UI. EOCU sends UI a 0 for meat probe temp.)	ERROR 04	B	Meat probe - Shorted	Meat probe input is shorted.	Cancel any cook by probe operation.	Correct short, re-enter timed or delay function.
	ERROR 06	A	Invalid Model Header	Model header is undefined.	This is read only at power up, EOCU will be inoperable.	Turn oven knobs off. Power down and insert correct model header. Possible Cause on 48" unit: 1. If both boards have no header, Main UI displays ERROR 06 and Companion UI displays ERROR 08. 2. If Main Oven has no header, Main UI displays ERROR 06 and
	ERROR 07	A	Door Switch	The door is open during CLEAN (either the door latch has failed, the door sensor has failed or the user has opened the door immediately after selecting CLEAN before the latch can engage).		Turn oven knobs off. Power down and correct door lock issue.
	ERROR 08	B	Communication Error	RS485 Serial Communication is lost or unable to establish connection between EOCU and any UI (if one is present).	The EOCU can still perform a cook if the UI is non-functioning and the user selected a cook cycle via the selector knobs. The EOCU will not however do a Clean cycle or Preheat since it doesn't know if the other unit is currently operating (for double ov	Turn oven knobs off. Power down and correct issue. Possible Cause: 1. P19 connection is disconnected. - Single-board system (30" & 36") - UI displays error. - Double-board system (48") - Both UIs display error. 2. P12 to UI connection using 024
	ERROR 09	A	Temperature Run-Away	Control detects temperature greater than or equal to 610 degrees F in a non-Self Clean cycle.	Go into error mode and shut down oven.	Turn oven knobs off. Power down and replace the EOCU.
UI (Touch Screen) Errors	Display	Priority	Error	Detection	Action	How to Clear
	ERROR 20	B	Shorted Key	UI detects one or more keys are shorted for longer than 1 minute.	Cancel any timed cycle or delay start.	Replace UI.
	ERROR 08	B	Communication Error	RS485 Serial Communication is lost or unable to establish connection to EOCU(s).	Cancel any timed cycle or delay start.	Replace UI or fix issue. Same as ERROR 08 above.
	Error Priority	Description				
	A	Critical Error, Cancel current cycle, Turn off all elements.				
	B	Non-Critical, Cancel only the feature that is affected, allow oven to still operate.				

WIRING DIAGRAM, 30 INDUCTION RANGE 034556



PROPRIETARY
NO PART OF THIS DOCUMENT MAY BE REPRODUCED, STORED IN A RETRIEVAL SYSTEM, OR TRANSMITTED IN ANY FORM, WITHOUT THE WRITTEN PERMISSION OF Hestan Commercial Corporation. THIS DOCUMENT OR ANY COPIES SHALL BE RETURNED UPON WRITTEN REQUEST.

DESCRIPTION

SERVICE - RANGE, INDUCTION, 30"

DRAWING NO

KRI30-SERVICE

REVISION

D

SHEET NO.

13 OF 13

6

5

4

3

2

1