



INDOOR COOKING

Induction Range
KRI

Installation Manual

 HESTAN

▲WARNING

IF THE INFORMATION IN THIS MANUAL IS NOT FOLLOWED EXACTLY, A FIRE OR EXPLOSION MAY RESULT CAUSING PROPERTY DAMAGE, PERSONAL INJURY, OR DEATH.

Do not store or use gasoline or other flammable vapors and liquids in the vicinity of this or any other appliance.

Installation and service must be performed by a qualified installer, service agency.

DO NOT REPAIR, REPLACE OR REMOVE ANY PART OF THE APPLIANCE UNLESS SPECIFICALLY RECOMMENDED IN THE MANUAL. IMPROPER INSTALLATION, SERVICE OR MAINTENANCE CAN CAUSE INJURY OR PROPERTY DAMAGE. REFER TO THIS MANUAL FOR GUIDANCE. ALL OTHER SERVICING SHOULD BE DONE BY A QUALIFIED TECHNICIAN.

READ THESE INSTRUCTIONS CAREFULLY AND COMPLETELY BEFORE INSTALLING OR USING YOUR APPLIANCE TO REDUCE THE RISK OF FIRE, BURN HAZARD, OR OTHER INJURY. KEEP THIS MANUAL FOR FUTURE REFERENCE.

SAFETY DEFINITIONS

▲WARNING THIS INDICATES THAT DEATH OR SERIOUS INJURY MAY OCCUR AS A RESULT OF NOT OBSERVING THIS WARNING.

▲CAUTION THIS INDICATES THAT MINOR OR MODERATE INJURY MAY OCCUR AS A RESULT OF NOT OBSERVING THIS WARNING.

NOTICE THIS INDICATES THAT DAMAGE TO THE APPLIANCE OR PROPERTY MAY OCCUR AS A RESULT OF NOT OBSERVING THIS WARNING.

INSTALLER: LEAVE THIS MANUAL WITH THE OWNER OF THE APPLIANCE.
HOMEOWNER: RETAIN THIS MANUAL FOR FUTURE REFERENCE.

▲WARNING

TIP OVER HAZARD

A child or adult can tip over a range and be killed.

Check installation of the anti-tip device per the Installation Manual.
Do not operate the range without this device in place.

Check engagement of anti-tip device if range is moved, such as when cleaning behind the unit.

To check engagement, carefully tip the range forward while pulling from the rear of the unit. The range should not move more than 1 inch [2.5cm].

Failure to follow these instructions can result in death or serious burns to children and adults.

To reduce the risk of burns, do not move this appliance while hot.



TABLE OF CONTENTS

1	SAFETY PRECAUTIONS - BEFORE YOU BEGIN
2	MODEL NUMBERS
2	RATING LABEL
3	REGULATORY / CODE REQUIREMENTS
3	LOCATION AND INSTALLATION / VENTILATION
9	BACKGUARD AND ACCESSORIES
10	INSTALLATION OF ANTI-TIP DEVICE
11	ELECTRICAL CONNECTIONS
13	FINAL SETUP
14	SERVICE
14	APPENDIX

SAFETY PRECAUTIONS - BEFORE YOU BEGIN

When properly cared for, your Hestan appliance will provide safe, reliable service for many years. When using this appliance, basic safety practices must be followed as outlined below.

IMPORTANT: Save these instructions for the local Utility Inspector's use.

INSTALLER: Please leave these Installation Instructions with the owner.

OWNER: Please retain these Installation Instructions for future reference.

This range is NOT designed for installation in manufactured (mobile) homes or recreational park trailers. Do NOT install this range outdoors.

⚠️ WARNING

ELECTRICAL SHOCK HAZARD

Disconnect power before installing or servicing appliance. Before turning power ON, be sure all controls are in the OFF position. Failure to do so can result in electrical shock or death.

ELECTRICAL GROUNDING

This appliance must be grounded. Grounding reduces the risk of electric shock in the event of a short circuit. Read the ELECTRICAL CONNECTIONS section of this manual for complete instructions.

This appliance is equipped with a 4-prong grounding plug for your protection against shock hazard and should be directly plugged into a properly grounded receptacle. Do not cut or remove the grounding prong from this plug.

- DO NOT ground to a gas pipe.
- DO NOT use an extension cord with this appliance.
- DO NOT have a fuse in the NEUTRAL or GROUNDING circuit. A fuse in the NEUTRAL or GROUNDING circuit could result in an electrical shock.

ELECTRICAL SUPPLY

The appliance must be on its own dedicated circuit - 240 VAC, Single Phase, 60 Hz, with a current rating as shown in the model number listing on pg. 2. Have the installer show you where the electric circuit breaker is located so you know how to shut off the power to this appliance. It is the responsibility of the user to have the appliance connected by a licensed electrician in accordance with all local codes, or in the absence of local codes, in accordance with the National Electrical Code. Read the ELECTRICAL CONNECTIONS section of this manual for complete details.



MODEL NUMBERS

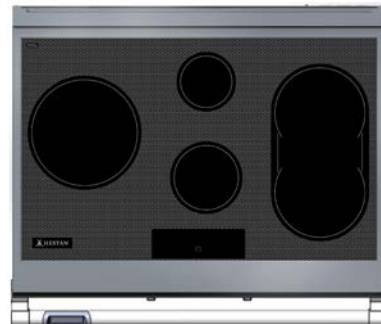
RANGE MODELS

EN

MODEL NO.	DESCRIPTION	CIRCUIT BREAKER REQUIRED
KRI30	30" INDUCTION RANGE WITH 4 ELEMENTS	50 Amp
KRI36	36" INDUCTION RANGE WITH 5 ELEMENTS	50 Amp



KRI30



KRI36

RATING LABEL

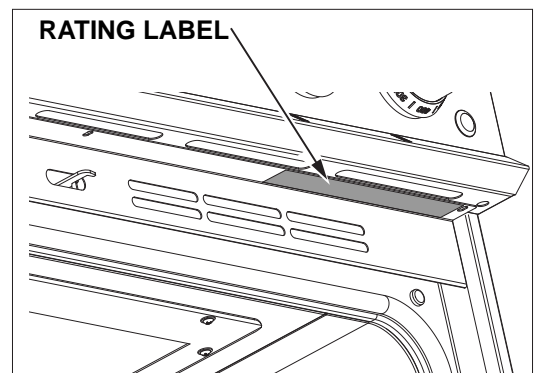
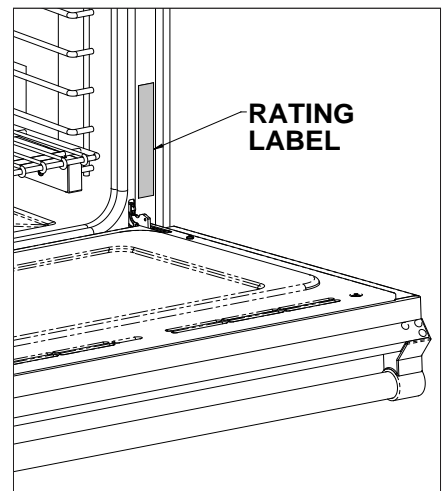
The rating label contains important information about your Hestan appliance such as the model and serial number, electrical rating, and the minimum installation clearances.

The rating label is located in one of two places, as shown in the figures on this page.

If service is necessary, contact Hestan Customer Care with the model and serial number information shown on the label.



KRI36 rating label shown



REGULATORY / CODE REQUIREMENTS

Installation of this cooking appliance must be made in accordance with local codes, or in the absence of local codes with the National Electrical Code.

This appliance must be electrically grounded in accordance with local codes or in the absence of local codes with the National Electrical Code *ANSI/NFPA 70*, or Canadian Electrical code *CSA C22.1*.

This appliance complies with part 18 of the FCC Rules. This equipment generates, uses and can radiate radio frequency energy and, if not installed and used in accordance with the instructions, may cause harmful interference to radio communications. However, there is no guarantee that interference will not occur in a particular installation. If this equipment does cause harmful interference to radio or television reception, which can be determined by turning the equipment off and on, the user is encouraged to try to correct the interference by one or more of the following measures:

- Reorient or relocate the receiving antennae.
- Increase the distance between the equipment and receiver.
- Connect the equipment into an outlet or a circuit different from that to which the receiver is connected.
- Consult the dealer or an experienced radio/TV technician for help.

Persons who have heart pacemakers or other electronic implants should discuss with their doctor or the manufacturer of the implant as to whether this device is sufficiently safe from interference.

LOCATION AND INSTALLATION / VENTILATION

UNPACKING AND PLACEMENT

Remove the outer carton and packing materials from the shipping pallet. Do not remove the plastic film covering the stainless-steel surfaces. This film protects the finish from scratches until the appliance is installed in its final position.

Use extra caution with the ceramic glass top. It can crack or shatter if not handled with care. Move the unit gently to avoid dropping or jarring the unit excessively which may damage the ceramic glass.

The unit is very heavy and should be handled with care. Use proper safety equipment, such as gloves, and at least 2 persons to move the appliance into position to avoid injury and to avoid damage to the floor or the appliance itself.

NOTICE DO NOT USE A HAND TRUCK OR DOLLY ON THE FRONT OR REAR OF THE RANGE. HANDLE AND MOVE FROM THE SIDES ONLY.

Do not lift or carry the appliance by the oven door or handle. This could damage the door hinges.

LOCATION AND INSTALLATION / VENTILATION (CONTINUED)

The range is held onto the pallet with 4 large shipping bolts on both sides. Remove these bolts and then move the range to the floor with the help of 2 persons.

PREPARATION

Before moving the range, protect any finished flooring and secure the oven door(s) closed to prevent damage.

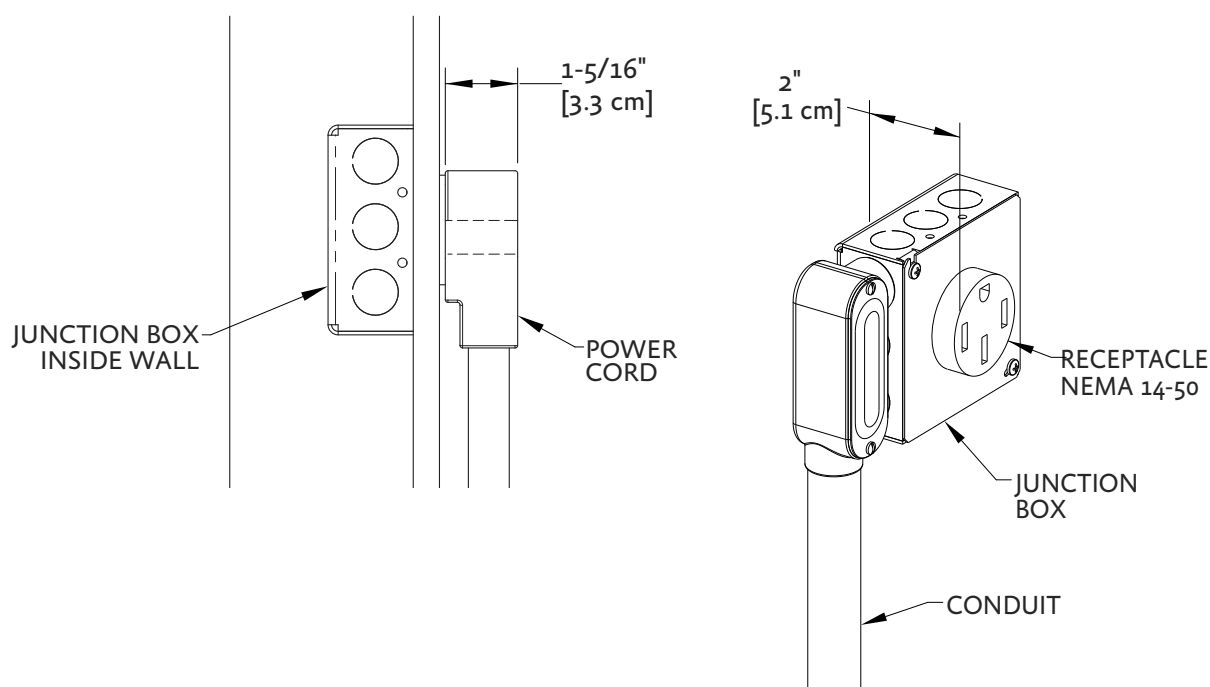
ELECTRICAL SUPPLY CLEARANCES

If not already in place, install the power receptacle / junction box as shown in the Installation Clearances on the following pages. Any openings in the wall or floor behind the appliance must be sealed.

The range is designed to be installed nearly flush to the rear wall*. It may be necessary to reposition the power receptacle / junction box in order to accommodate the range when pushed back against the wall.

Wall-mounted junction box may protrude no more than 2-3/8" [6.1 cm] from wall and still allow the back of the range to be nearly flush to rear wall.

* Unless installed in an island with no rear wall.



CABINETS

To eliminate the risk of burns or fire by reaching over heated surface units, cabinet storage space located above the surface units should be avoided. If cabinet storage is to be provided, the risk can be reduced by installing the required vent hood that projects horizontally a minimum of 5" [12.7 cm] beyond the bottom of the cabinets.

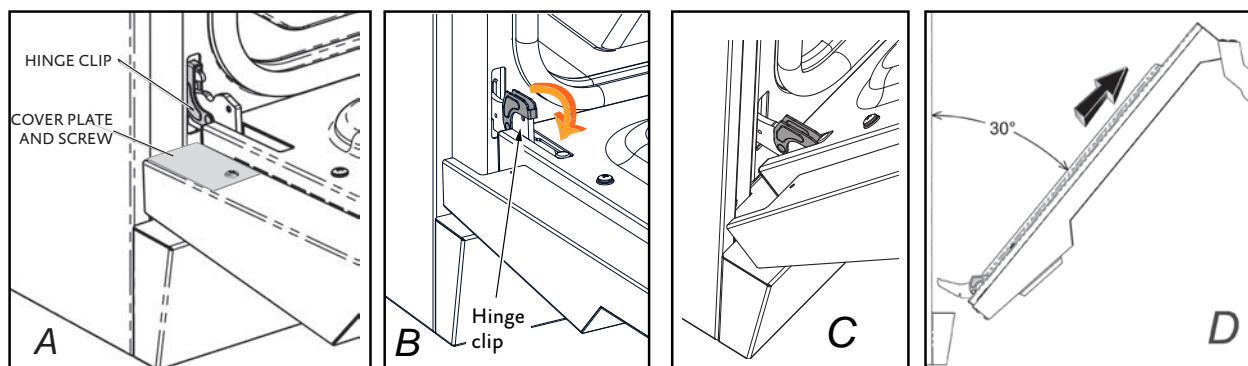
LOCATION AND INSTALLATION/VENTILATION (CONTINUED)

EN

OVEN DOOR REMOVAL

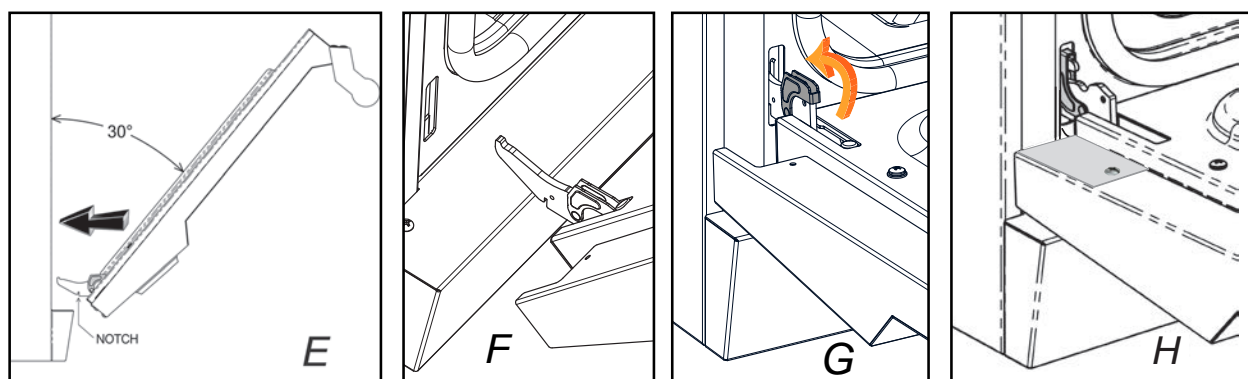
If you have a very narrow door opening to your kitchen, the oven door(s) can be removed. REMOVE ONLY IF ABSOLUTELY NECESSARY. Door removal should only be done by a certified installer or service technician. Be sure the oven has completely cooled and the electrical power is off. Failure to do so may result in electric shock or burn injury. Use caution when removing the door, it is very heavy. Be careful to disconnect the wire inside the door.

1. Open oven door completely.
2. Locate cover near hinge to access wire connector inside. Using small needle-nose pliers and a small flat-blade screwdriver, disconnect the wires inside the door. [A]
3. At each hinge location, swing the hinge clip forward until it stops. A screwdriver may be needed to do this. [B]
4. Gently close the oven door until it stops against the hinge clips, or approximately 30° from the closed position. Hold on firmly to both sides of the door (not the handle) and pull the door straight up off the hinges. Ask an assistant to help direct the wires out of the bottom of the door so it does not hang up on anything. Place the oven door in a safe location until needed. NEVER release the hinge clips and try to close the hinges. Doing so will snap the hinges closed with great force which could cause injury. [C & D]



RE-INSTALL OVEN DOOR

1. Hold the door firmly on both sides (NOT FROM THE HANDLE) at approximately 30° from the closed position and insert the hinges into the slots in the oven. The bottom edge of each hinge has a notch which must seat inside the slot opening. DO NOT FORCE OR BEND OR TWIST THE DOOR! [E & F]
2. Slowly open the door all the way. Swing the hinge clips away from you until completely inside the slot opening and fully seated. A screwdriver may help you do this. [G]
3. Re-attach the wire connector and assure it is securely inside the door. Re-install the cover. [H]
4. Gently close the oven door to check for smooth operation.



LOCATION AND INSTALLATION/VENTILATION (CONTINUED)

LEVELING

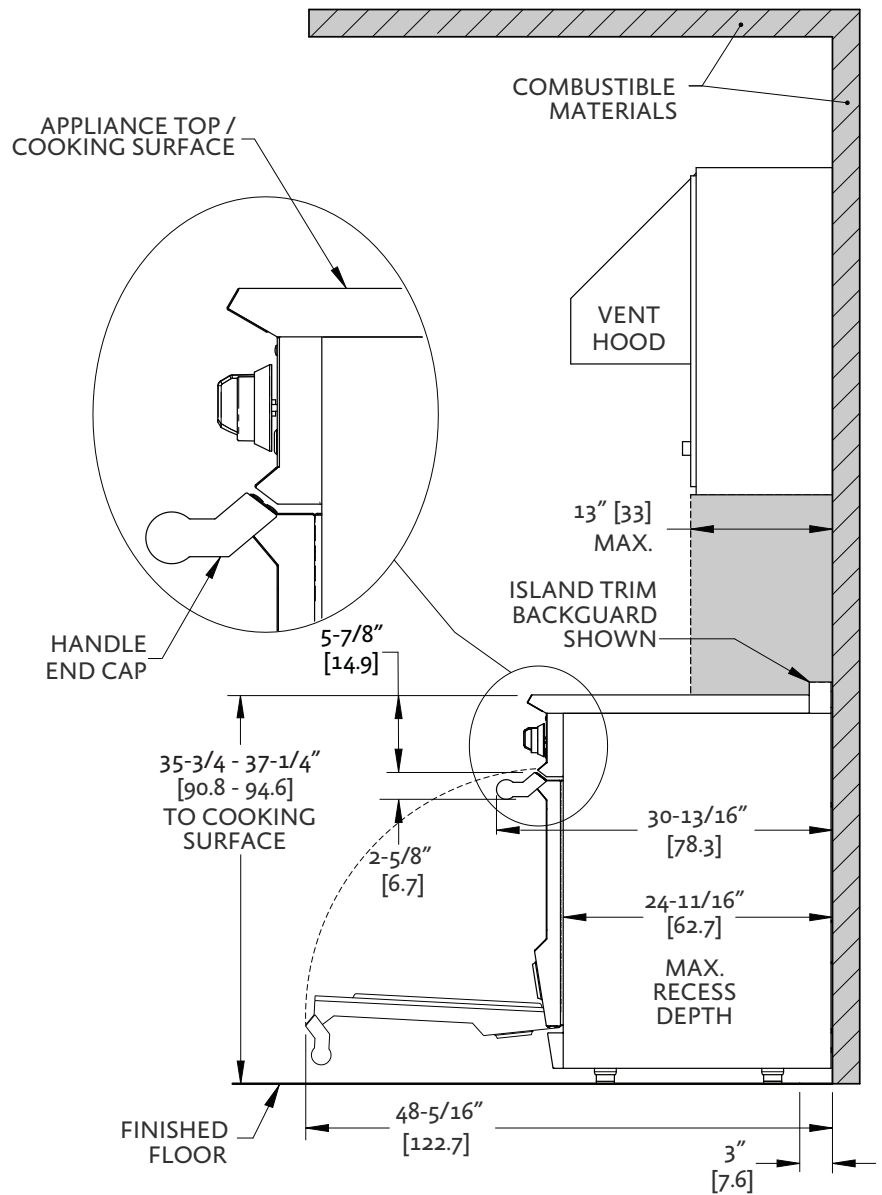
The range must be level. Raise or lower the range to the desired height by adjusting the leveling legs under the range. The legs can be turned by hand. It may be necessary to use a lever or other lifting device to assist in temporarily raising the unit to turn the legs. Do not lift or lever from the front or back, only from the sides.

EN

CAUTION

The appliance top must be level with or higher than the adjacent countertop surfaces. Failure to adjust the height may expose the adjacent cabinets to excessive heat which may damage the cabinets or countertop.

INSTALLATION CLEARANCES - ALL BACKGUARDS



DIMENSIONS IN BRACKETS [] ARE IN CM.

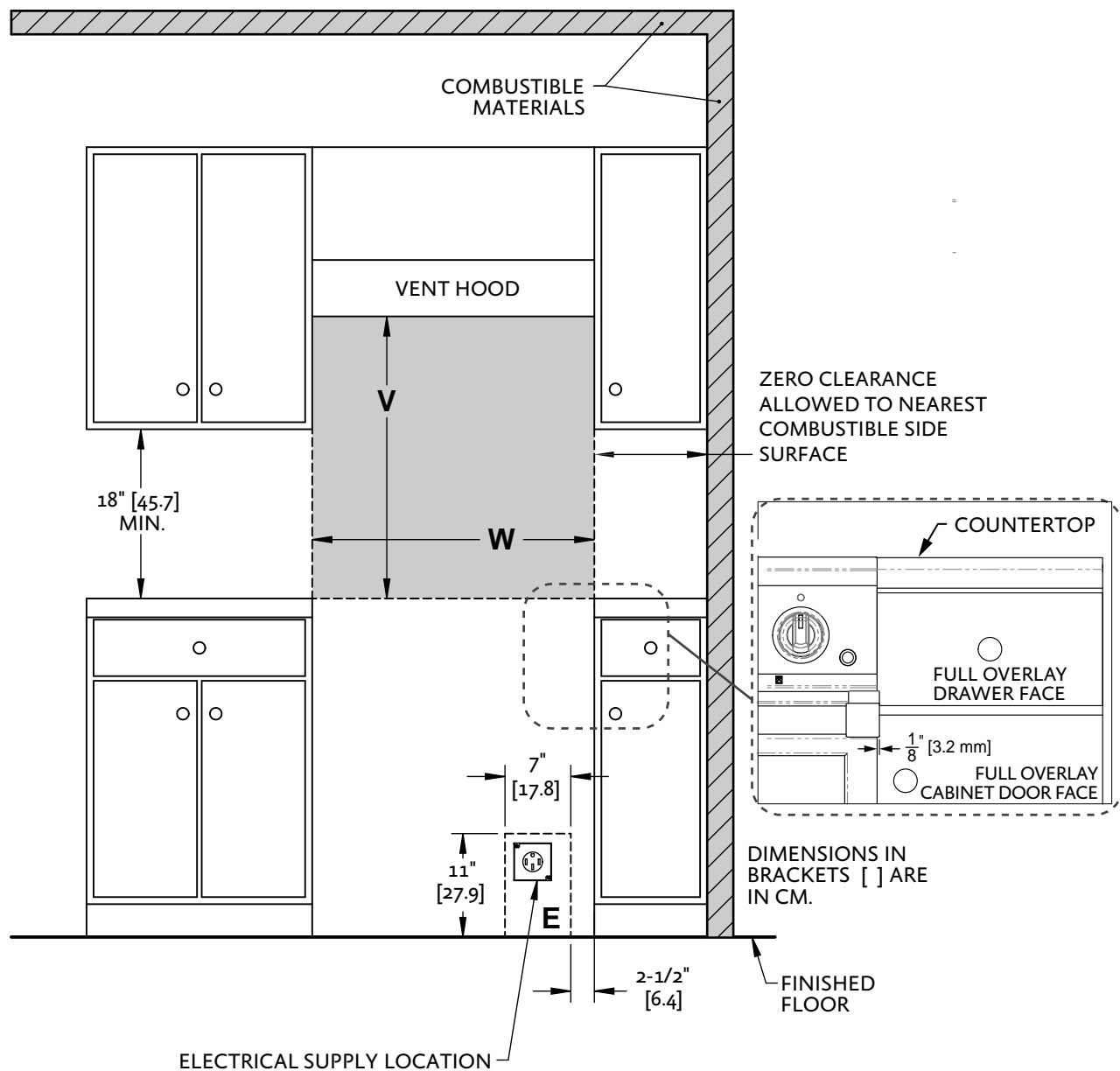
LOCATION OF GAS AND ELECTRICAL ON FLOOR

SIDE VIEW

LOCATION AND INSTALLATION/VENTILATION (CONTINUED)

EN

INSTALLATION CLEARANCES 30" - ALL BACKGUARDS



FRONT VIEW

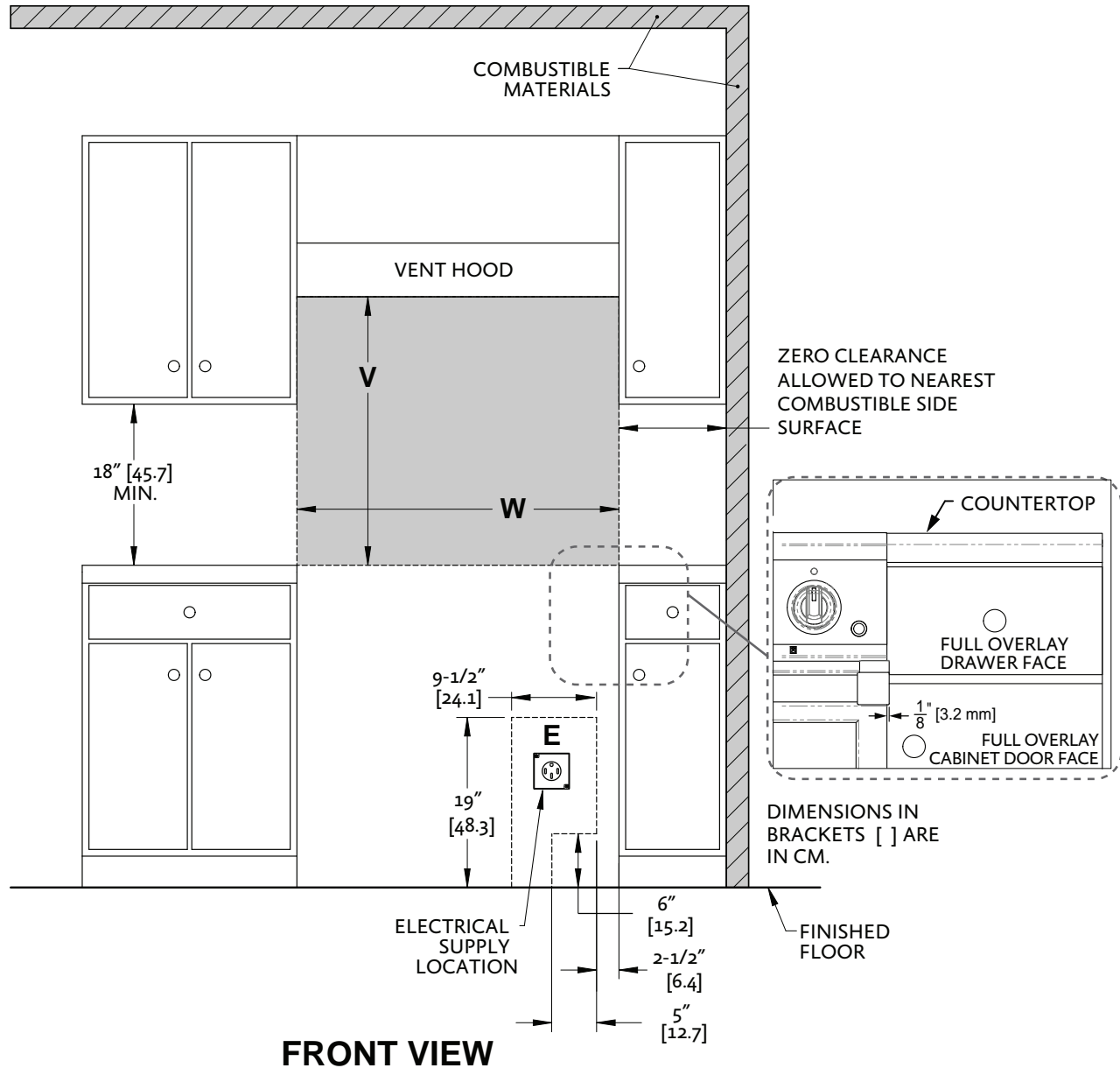
RANGE MODEL	W	V (MIN)
KRI30	30" [76.2]	30" [76.2]

NOTES:

- SHADED AREAS INDICATE WHERE COMBUSTIBLE MATERIALS ARE NOT ALLOWED.
- APPLIANCE TOP MUST BE LEVEL OR HIGHER THAN THE ADJACENT COUNTERTOP SURFACES.
- "E" IS ELECTRICAL SUPPLY ZONE.
- "W" IS APPLIANCE OPENING.
NOTE: HANDLE END CAPS PROTRUDE 1/8" BEYOND EACH SIDE OF THE RANGE. ALLOWANCE MAY BE NEEDED FOR ADJACENT DRAWERS OR CABINETRY.
- "V" IS MIN. CLEARANCE TO VENTILATION HOOD.

LOCATION AND INSTALLATION/VENTILATION (CONTINUED)

INSTALLATION CLEARANCES 36" - ALL BACKGUARDS



RANGE MODEL	W	V (MIN)
KR136	36" [91.4]	30" [76.2]

NOTES:

- SHADED AREAS INDICATE WHERE COMBUSTIBLE MATERIALS ARE NOT ALLOWED.
- APPLIANCE TOP MUST BE LEVEL OR HIGHER THAN THE ADJACENT COUNTERTOP SURFACES.
- "E" IS ELECTRICAL SUPPLY ZONE.
- "W" IS APPLIANCE OPENING.
NOTE: HANDLE END CAPS PROTRUDE 1/8" BEYOND EACH SIDE OF THE RANGE. ALLOWANCE MAY BE NEEDED FOR ADJACENT DRAWERS OR CABINTRY.
- "V" IS MIN. CLEARANCE TO VENTILATION HOOD.

LOCATION AND INSTALLATION/VENTILATION *(CONTINUED)*

VENTILATION

It is strongly recommended that this appliance be installed with a Hestan vent hood. While this unit does not have the high heat output of a traditional gas range, evacuation of steam, vapors, and cooking odors is still desirable. It is very important that the hood and ductwork installation meets local building codes and is installed by a qualified technician.

Do not use a down-draft style ventilation system.

Do not mount a microwave oven/ventilator combination above the range. These type of units do not typically have sufficient airflow and were not tested with this type of appliance.

For non-Hestan approved vent hoods, the vent hood and/or blower unit must be rated for at least 300 CFM for 30" and 36" induction range sizes.

For island applications, it is recommended to use a vent hood that is 6" [15.2 cm] wider than the appliance, to allow for 3" [7.6 cm] of overlap on the left and right of the appliance.

Keep duct runs as short and straight as possible. Elbows and transition fittings reduce airflow efficiency. Hestan recommends keeping the duct run under 50 ft. [15.2 m].

CONSULT WITH YOUR HESTAN DEALER ON SELECTING THE APPROPRIATE VENT HOOD FOR YOUR HESTAN APPLIANCE.

EN

BACKGUARD AND ACCESSORIES

▲ CAUTION

Sheetmetal accessories such as the backguard, and areas at the rear of the range may have sharp edges. Wear work gloves while handling and installing these items.

BACKGUARD

Your Hestan range is supplied at the factory with an Island Trim backguard. See Table 1 in the APPENDIX section of this manual for other backguard options available from your Hestan dealer. Selection of the appropriate backguard depends on the installation location and adjacent materials, and the type of vent hood to be used. Installation instructions are included with the backguard kit.

▲ CAUTION

The top of the backguard serves as an exhaust for the oven when in operation, and as an exhaust vent to remove heat from under the cooktop section of the range as well. **DO NOT BLOCK** or obstruct the top of the backguard. **DO NOT** touch the top of the backguard during appliance operation as it may get hot. Allow sufficient time to cool before touching or cleaning this area. **DO NOT** position plastic or other heat-sensitive items nearby which could melt or burn.

INSTALLATION OF ANTI-TIP DEVICE

⚠️ WARNING THE ANTI-TIP DEVICE PROVIDED WITH THIS RANGE MUST BE INSTALLED.

PREPARATION

NOTICE POSSIBLE PROPERTY DAMAGE - Use a qualified installer or contractor to determine the proper method of attaching the anti-tip bracket to the rear wall or floor behind your range. Special drills or tools may be needed to drill holes in the wall or floor (ceramic tile, hardwood flooring, etc.).

⚠️ WARNING ELECTRICAL SHOCK HAZARD - Use extreme caution when drilling holes into the wall or floor as there may be hidden wires. Identify the electrical circuits that could be affected by the installation of the anti-tip bracket. Shut off the power to these circuits. Failure to follow these instructions may result in death or electrical shock.

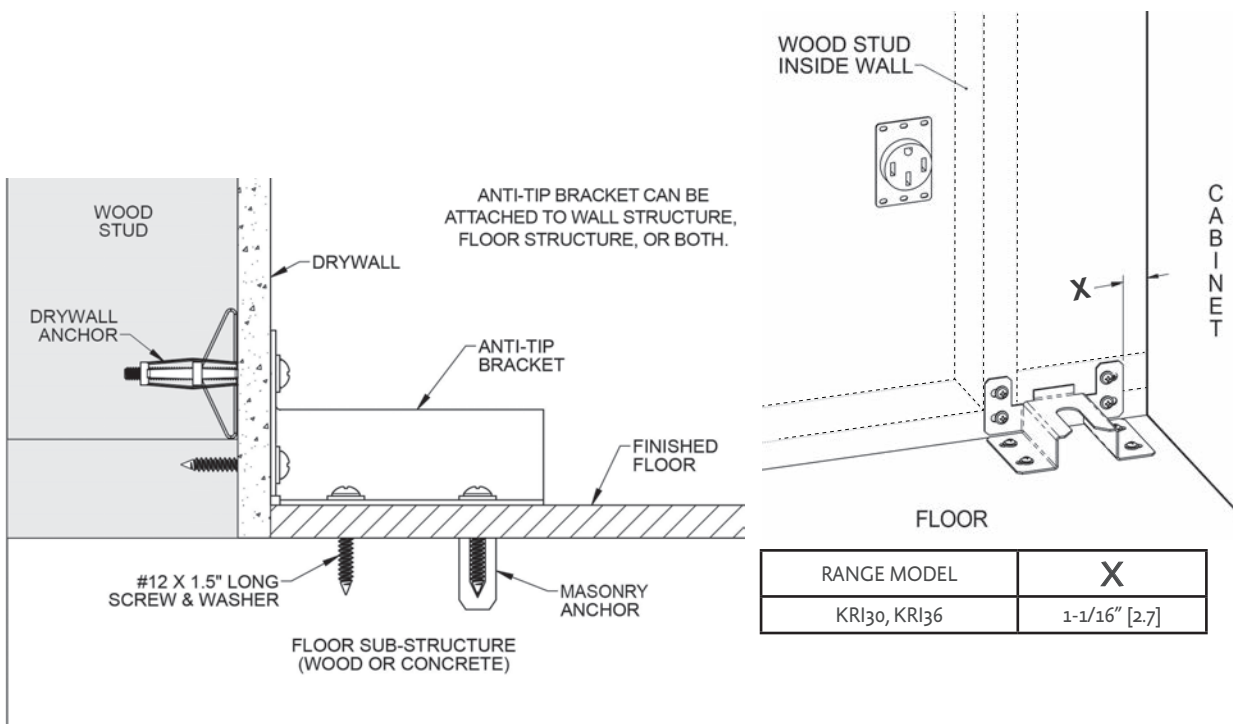
HOLE PREPARATION

The anti-tip bracket must be installed in sound materials, such as wood studs in the wall AND floor joists under the finished floor. They must be able to withstand the forces exerted on the bracket by the range should it tip-over. If wood studs or other suitable materials are not in the designated area behind the range, you must attach the bracket using appropriate drywall anchors or similar fasteners.

DRYWALL INSTALLATION: After positioning the bracket as per the diagram below, mark the holes and drill the appropriate holes as per the instructions supplied with the wall anchors. For hardboard or solid plaster walls, you may need different wall anchors, available at your local hardware store or home center.

WOOD FLOOR INSTALLATION: After positioning the bracket as per the diagram below, mark the holes and drill the appropriate holes for #12 or similar, large wood screws, at least 1.5" [3.8 cm] in length. Use washers as well. All hardware is available at your local hardware store or home center.

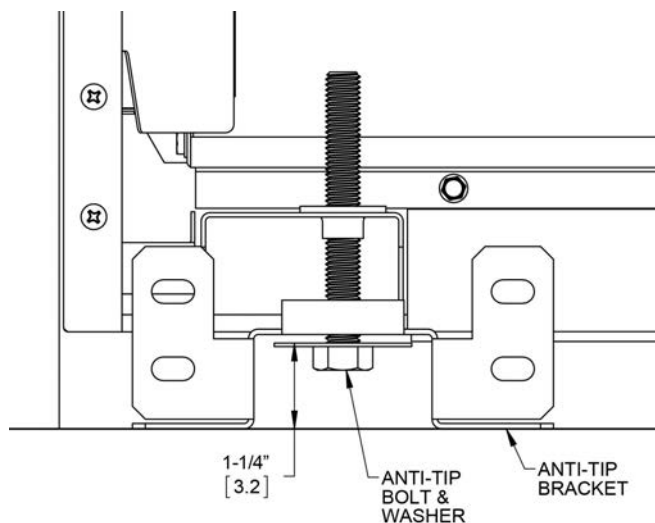
CONCRETE FLOOR INSTALLATION: After positioning the bracket as per the diagram below, mark the holes and drill the appropriate holes for #12 or similar large masonry anchors, at least 1.5" [3.8 cm] in length. Use washers as well. All hardware is available at your local hardware store or home center.



INSTALLATION OF ANTI-TIP DEVICE (CONTINUED)

ANTI-TIP BOLT ADJUSTMENT

After leveling the range, and after the bracket has been attached, adjust the anti-tip bolt and large washer under the range so the top of the washer is 1-1/4" [3.2 cm] maximum from the floor. Slide the range into the opening of the bracket and verify the bolt is engaged in the bracket as seen below. Carefully tip the range forward to check. The range should not move more than 1" [2.5 cm].



REAR VIEW

ELECTRICAL CONNECTIONS

⚠ WARNING

ELECTRICAL SHOCK HAZARD

Disconnect power before installing or servicing appliance. Before turning power ON, be sure all controls are in the OFF position. Failure to do so can result in electrical shock or death.

ELECTRICAL GROUNDING

This appliance must be grounded. Grounding reduces the risk of electric shock in the event of a short circuit. Grounding through the neutral conductor is prohibited for new branch circuit installations (1996 NEC), mobile homes, and recreational vehicles, or in an area where local codes prohibit it. This range has been setup at the factory for a 4-wire connection.

⚠ CAUTION

Improper grounding will cause malfunctions in the unit. This can damage the appliance and create a shock hazard condition.

ELECTRICAL CONNECTION

The appliance must be connected using the cordset provided. The appliance must be on its own dedicated circuit - 240 VAC, Single Phase, 60 Hz, with a current rating as shown in the model number listing on page 2. The installation must be done in accordance with local codes, or in the absence of local codes, it must be installed in accordance with the National Electrical Code, ANSI/NFPA 70.

⚠ WARNING

For both US and CANADA installations: This appliance is equipped with copper lead wires and must be connected to copper wires only. Improper connection of aluminum house wiring can result in a fire or shock hazard. Use only connectors designed and certified for connecting to aluminum wire, and installed by a qualified electrician.

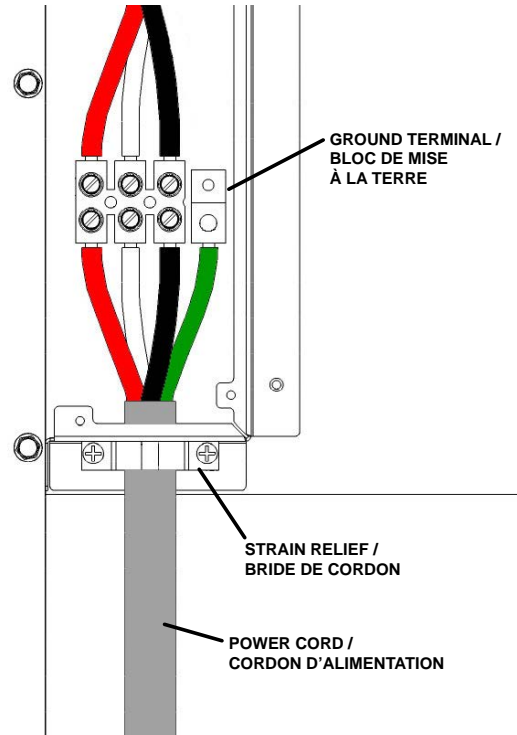


ELECTRICAL CONNECTIONS (CONTINUED)

4-WIRE CONNECTION

For installations where grounding through the neutral conductor is prohibited. Use only 4-conductor cord kits rated 125/250 Volts (min), 50 Amps, and labeled "For Use with Ranges". Your Hestan range is pre-wired at the factory for a 4-wire connection and includes this cordset.

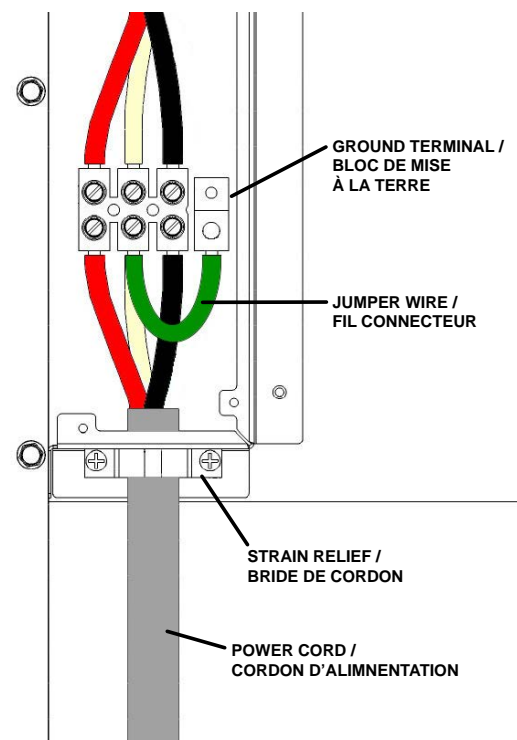
1. Make sure power is off at the supply panel / breaker.
2. Remove the narrow access panel at the rear of the range and locate the chassis ground terminal. Attach GREEN ground appliance wire of supply circuit or cord to chassis using ground screw.
3. Connect WHITE neutral appliance wire to WHITE neutral wire in electrical box.
4. Connect RED (L1) appliance wire to RED power wire in electrical box.
5. Connect BLACK (L2) appliance wire to BLACK power wire in electrical box.
6. Tighten all connections. Strain relief must be installed.



3-WIRE CONNECTION

For installations where grounding through the neutral conductor is allowed. Use only 3-conductor cord kits rated 125/250 Volts (min), 50 Amps, and labeled "For Use with Ranges". This cordset is available at hardware stores and home centers.

1. Make sure power is off at the supply panel / breaker off.
2. Attach WHITE neutral appliance wire to WHITE neutral wire in electrical box and use GREEN ground jumper wire to connect to neutral as shown here.
3. Connect RED (L1) appliance wire to RED power wire in electrical box.
4. Connect BLACK (L2) appliance wire to BLACK power wire in electrical box.
5. Tighten all connections. Strain relief must be installed.



FINAL SETUP

Remove any final packaging materials, and protective film from all exterior areas. Check inside oven for other packaging items, tape on oven racks, etc.

Before testing operation of the appliance, verify electrical power has been restored to the unit.

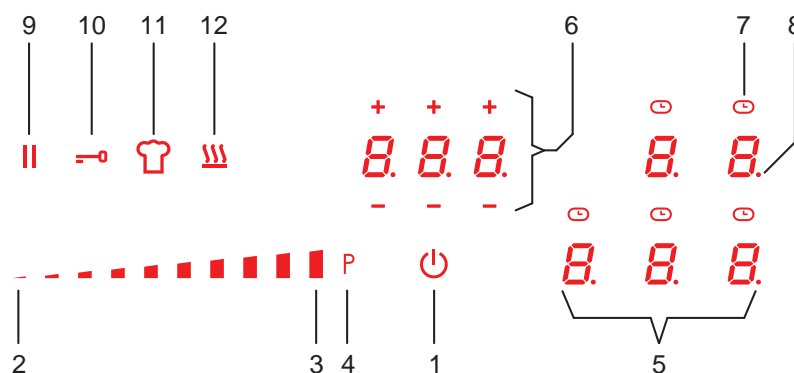
NOTICE

All the control knobs must be in the OFF position to prevent unintended operation at power up. To ensure customer safety in the event of a power failure, the range will display an error message when the power is restored unless all the knobs are in the OFF position. Set all the knobs to OFF, and reset the breaker to clear the error message.

DO NOT ATTEMPT TO USE THE RANGE DURING A PROLONGED POWER FAILURE.

FUNCTIONAL TEST

1. Fill an induction-capable cooking utensil with 1/2 - 1" [1.2-2.5 cm] of water and place it on one of the cooking zones.
2. Switch the control ON by touching the [ON OFF] key(1).
 - If the commands are locked, touch the lock key (10) for a few seconds. The lock is deactivated and the controls should respond.
3. Touch the zone select key (5) for the cook zone where the utensil is.
4. Touch the power slider and set it to a level between 3 and 9.
5. Observe that the display responds to the power setting, and observe that the cooking utensil begins to heat up.
6. Touch the selector key (5) for that zone to turn it off.
7. Touch the [ON OFF] key to turn the rangetop off.



USER INTERFACE			
1	ON/OFF	7	Timer clock indicator (for each zone)
2	Power slider - minimum power	8	Selection indicator dot
3	Power slider - maximum power	9	Pause / Recall Function
4	Power Booster (P)	10	Key Lock Function
5	Cooking Zone displays	11	Chef Cook Function
6	Timer display and + / - setting keys	12	Warming Function

CRITERIA

If the controls respond as described and the utensil heats up, then the test is successful.

SERVICE

Toutes les réparations sous garantie et hors garantie doivent être effectuées par un technicien qualifié. Pour trouver un réparateur agréé dans votre région, contactez votre concessionnaire Hestan, votre représentant local, ou Hestan. Avant d'appeler, veuillez avoir sous la main le numéro de modèle et le numéro de série.

Hestan Commercial Corporation
3375 E. La Palma Avenue
Anaheim, CA 92806
(888) 905-7463

APPENDIX

TABLE 1 - BACKGUARD OPTIONS		
RANGE MODEL	BACKGUARD MODEL	DESCRIPTION
KRI30	KBGIT30*	BACKGUARD, ISLAND TRIM, 30"
	KBGLB30	BACKGUARD, LOW BACK, 30"
	KBGHS30	BACKGUARD, HIGH SHELF, 30"
KRI36	KBGIT36*	BACKGUARD, ISLAND TRIM, 36"
	KBGLB36	BACKGUARD, LOW BACK, 36"
	KBGHS36	BACKGUARD, HIGH SHELF, 36"

* INCLUDED WITH RANGE

AVERTISSEMENT

LE NON-RESPECT À LA LETTRE DE CES INSTRUCTIONS PEUT CAUSER UN INCENDIE OU UNE EXPLOSION, QUI POURRAIT ENTRAÎNER DES DOMMAGES MATÉRIELS, DES BLESSURES OU LA MORT.

Ne pas entreposer ou utiliser d'essence ou tout autre liquide ou gaz inflammable à proximité de cet appareil ou de tout autre appareil.

L'installation et la réparation doivent être effectuées par un installateur ou une agence deréparation ayant les qualifications requises.

NE RÉPARER, REMPLACER OU ENLEVER AUCUNE PARTIE DE L'APPAREIL SAUF RECOMMANDATION SPÉCIFIQUE DANS LE MANUEL. UNE INSTALLATION, UN SERVICE OU UNE MAINTENANCE INCORRECTS PEUVENT CAUSER DES BLESSURES OU DES DOMMAGES MATÉRIELS. CONSULTEZ CE MANUEL POUR OBTENIR DES CONSEILS. TOUTE AUTRE RÉPARATION DOIT ÊTRE EFFECTUÉE PAR UN TECHNICIEN QUALIFIÉ.

LISEZ ATTENTIVEMENT ET COMPLÈTEMENT CES INSTRUCTIONS AVANT D'INSTALLER OU D'UTILISER VOTRE APPAREIL AFIN DE RÉDUIRE LES RISQUES D'INCENDIE, DE BRÛLURE OU D'AUTRES BLESSURES. CONSERVER CE MANUEL POUR RÉFÉRENCE FUTURE.

DÉFINITIONS DE SÉCURITÉ



AVERTISSEMENT CECI INDIQUE QUE L'INOBSERVATION DE CET AVERTISSEMENT PEUT ENTRAÎNER DES BLESSURES GRAVES VOIRE MORTELLES.



PRÉCAUTION CECI INDIQUE QUE L'INOBSERVATION DE CET AVERTISSEMENT PEUT ENTRAÎNER DES BLESSURES MINEURES OU MODÉRÉES.



AVIS CECI INDIQUE QUE L'INOBSERVATION DE CET AVERTISSEMENT PEUT ENTRAÎNER DES DOMMAGES DE L'APPAREIL OU DES DÉGÂTS MATÉRIELS.

INSTALLATEUR: LAISSER CE MANUEL AVEC LE PROPRIÉTAIRE DE L'APPAREIL.
PROPRIÉTAIRE: CONSERVEZ CE MANUEL POUR RÉFÉRENCE FUTURE.



DANGER DE BASCULEMENT

Une personne, enfant ou adulte, peut faire basculer la cuisinière et subir des blessures mortelles.

Vérifiez l'installation du dispositif anti-basculément conformément aux instructions d'installation.

Ne pas utiliser la cuisinière lorsque le dispositif n'est pas installé et engagé.

Vérifiez l'engagement du dispositif anti-basculément si la cuisinière est déplacée, par exemple quand vous nettoyez derrière elle.

Pour vérifier l'engagement, inclinez doucement la cuisinière vers l'avant tout en tirant de l'arrière de l'appareil. La cuisinière ne doit pas bouger de plus de 1 po [2,5 cm].

Le non-respect de ces instructions peut entraîner la mort ou des brûlures graves chez les enfants et les adultes.

Pour réduire le risque de brûlure, ne déplacez pas cet appareil lorsqu'il est chaud.



TABLE DES MATIÈRES

- 1 PRÉCAUTIONS DE SÉCURITÉ - AVANT DE COMMENCER
- 2 NUMÉROS DE MODÈLE
- 2 PLAQUE SIGNALÉTIQUE
- 3 RESPECT DE LA RÉGLEMENTATION ET DES CODES EN VIGUEUR
- 3 EMPLACEMENT ET INSTALLATION / VENTILATION
- 9 DOSSERET ET ACCESSOIRES
- 10 INSTALLATION DU DISPOSITIF ANTI-BASCULEMENT
- 11 BRANCHEMENTS ÉLECTRIQUES
- 13 PHASE FINALE DE L'INSTALLATION
- 14 SERVICE
- 14 APPENDICE

PRÉCAUTIONS DE SÉCURITÉ - AVANT DE COMMENCER

S'il est bien entretenu, cet appareil Hestan procurera un service sûr et fiable pendant de nombreuses années. Lorsqu'on se sert de cet appareil, les pratiques élémentaires suivantes en matière de sécurité doivent être adoptées.

IMPORTANT: Conservez ces instructions à l'intention de l'Inspecteur local des services de l'électricité.

INSTALLATEUR: Veuillez laisser ces instructions d'installation au propriétaire.

PROPRIÉTAIRE: Veuillez conserver ces instructions d'installation pour référence future.

Cette cuisinière N'EST PAS conçue pour être installée dans des maisons préfabriquées (mobiles) ou dans des véhicules récréatifs. N'installez PAS cette cuisinière à l'extérieur.

AVERTISSEMENT

RISQUE DE CHOC ÉLECTRIQUE

Débranchez l'alimentation avant d'installer ou d'entretenir l'appareil. Avant de le mettre sous tension, assurez-vous que toutes les commandes sont en position «OFF». Ne pas le faire peut entraîner un choc électrique ou la mort.

MISE À LA TERRE ÉLECTRIQUE

Cet appareil doit être mis à la terre. La mise à la terre réduit le risque de choc électrique en cas de court-circuit. Lisez la section BRANCHEMENTS ÉLECTRIQUES de ce manuel pour des instructions complètes.

Cet appareil est pourvu d'une fiche à quatre broches dont une mise à la terre assurant une protection contre les chocs électriques. La prise dans laquelle elle est branchée doit être correctement mise à la terre. Ne pas couper ni enlever la broche de mise à la terre de la fiche.

ALIMENTATION ÉLECTRIQUE

L'appareil doit avoir son propre circuit distinct - 240 VAC, monophasé, 60 Hz, avec une ampérage nominale telle qu'indiquée dans la liste des numéros de modèle à la page 2. Demandez à l'installateur de vous montrer où se trouve le disjoncteur électrique afin de savoir comment couper l'alimentation de cet appareil. Il incombe à l'utilisateur de faire raccorder l'appareil par un électricien agréé conformément à tous les codes locaux, ou en l'absence de ces codes, conformément au Code National de l'Électricité. Lisez la section BRANCHEMENTS ÉLECTRIQUES de ce manuel pour tous les détails.

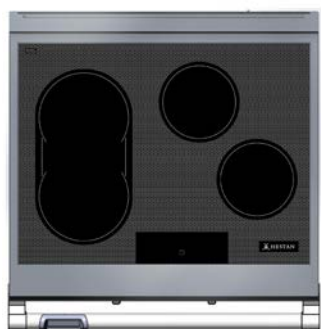


NUMÉROS DE MODÈLE

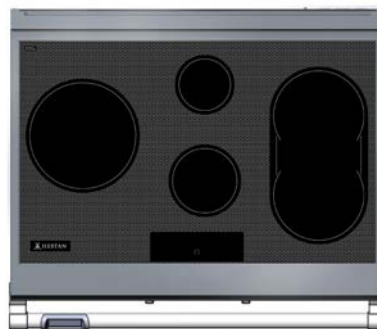
MODÈLES DE CUISINIÈRE

NO. MODÈLE	DESCRIPTION	DISJONCTEUR REQUIS
KRI30	CUISINIÈRE À INDUCTION AVEC 4 ÉLÉMENTS, 30 po	50 Ampères
KRI36	CUISINIÈRE À INDUCTION AVEC 5 ÉLÉMENTS, 36 po	50 Ampères

FR



KRI30



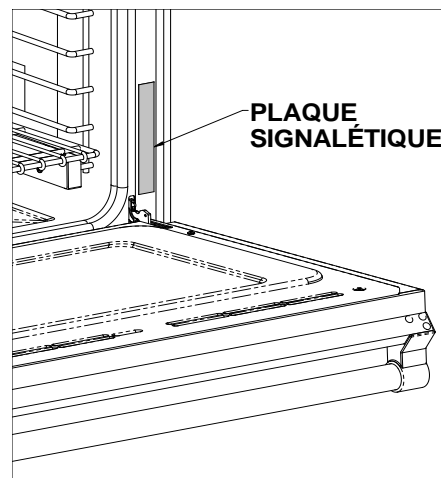
KRI36

PLAQUE SIGNALÉTIQUE

La plaque signalétique donne des informations importantes sur cet appareil Hestan telles que les numéros de série et de modèle, les caractéristiques électriques, et les dégagements minima d'installation.

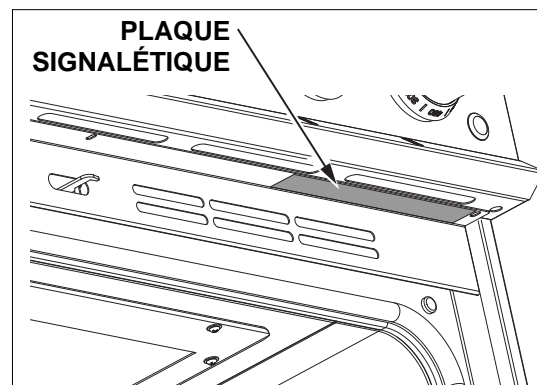
La plaque signalétique est située à l'un des deux endroits, comme indiqué dans les figures de cette page.

Si un entretien est nécessaire, contactez le service clientèle de Hestan avec les informations sur le modèle et le numéro de série figurant sur la plaque.



HESTAN COMMERCIAL CORP. ANAHEIM, CA - USA		MODEL / MODELE KRI36-BK-XX	SER. NO. / NO. SER. A1220XXXXXX	PATENTED: http://www.hestanhome.com/patents.pdf
VOLTS 240/208 Hz 60	MIN. CLEARANCES / DÉGAGEMENTS COMBUSTIBLE NON-COMBUSTIBLE BACK / ARRIÈRE 0" 0" SIDE / CÔTÉ 0" 0"	CONFORMS TO: UL 899-2014 Et 16-R-0434x2018 CSA C22.2 No. 207E-03-9 HOUSEHOLD COOKING APPLIANCE	CONFORME À LA NORME: UL 899-2014 Et 16-R-0434x2018 CSA C22.2 No. 207E-03-9 APPAREIL ÉLECTROMÉNAGER DE CUISSON	
PHASE 1 AMPS 50	VENTED UNIT - SEE INSTALLATION MANUAL UNITÉ VENTILÉE - VOIR LE MANUEL D'INSTALLATION			Intertek 5001516

Plaque signalétique KRI36 illustrée



RESPECT DE LA RÉGLEMENTATION ET DES CODES EN VIGUEUR

L'installation de cet appareil de cuisson doit être effectuée conformément aux codes locaux, ou en l'absence de tels codes, au National Electrical Code.

Tous les composants électriques doivent être mis à la terre conformément aux codes locaux ou, en l'absence de tels codes, au National Electrical Code ANSI/NFPA 70 ou au Code national de l'électricité du Canada CSA C22.1.

Cet équipement est conforme à la partie 18 des Règles de la FCC. Cet appareil génère, utilise et peut émettre de l'énergie sous la forme de fréquence radio et, s'il n'est pas installé et utilisé en conformité avec les instructions, il peut provoquer des interférences nocives sur les communications radio. Cependant, il n'existe aucune garantie que des interférences se produiront dans une installation particulière. Si cet appareil provoque des interférences nocives sur la réception radio ou télévision, ce qui peut être détecté en mettant l'appareil sous et hors tension, l'utilisateur est encouragé à essayer de corriger ces interférences en appliquant l'une ou plusieurs des mesures suivantes:

- Réorientez ou déplacez l'antenne réceptrice.
- Augmentez la distance entre l'appareil et le récepteur.
- Branchez l'appareil dans une prise ou un circuit différent de celui sur lequel est branché le récepteur.
- Consultez le revendeur ou un technicien radio / TV expérimenté pour obtenir de l'aide.

Les personnes qui ont un stimulateur cardiaque ou d'autres implants électroniques doivent discuter avec leur médecin ou le fabricant de l'implant pour savoir si cet appareil est suffisamment à l'abri des interférences.

EMPLACEMENT ET INSTALLATION / VENTILATION

DÉBALLAGE ET PLACEMENT

Retirez le carton extérieur et les matériaux d'emballage de la palette d'expédition. Ne retirez pas le film plastique recouvrant les surfaces en acier inoxydable. Ce film protège la finition contre les rayures jusqu'à ce que l'appareil soit installé dans sa position finale.

Soyez extrêmement prudent avec la surface en verre céramique. Il peut se fissurer ou se briser s'il n'est pas manipulé avec soin. Déplacez doucement l'unité pour éviter de la faire tomber ou de la secouer excessivement, ce qui pourrait endommager la verre céramique.

L'unité est très lourde et doit être manipulée avec soin. Utilisez un équipement de sécurité approprié, tel que des gants, et au moins 2 personnes pour mettre l'appareil en position pour éviter les blessures et éviter d'endommager le sol ou l'appareil lui-même.



N'UTILISEZ PAS DE CHARIOT À BRAS À L'AVANT OU À L'ARRIÈRE DE LA CUISINIÈRE. MANIPULER ET DÉPLACER DEPUIS LES CÔTÉS.

Ne soulevez ou ne portez pas l'appareil en le tenant par la porte ou la poignée du four. Cela pourrait endommager les charnières de la porte.

EMPLACEMENT ET INSTALLATION / VENTILATION (SUITE)

La cuisinière est maintenue sur la palette avec 4 grands boulons d'expédition des deux côtés. Retirez ces boulons, puis déplacez la cuisinière au sol avec l'aide de 2 personnes.

PRÉPARATION

Avant de déplacer la cuisinière, protégez tout revêtement de sol fini et fermez la(les) porte(s) du four afin qu'elle(s) ne soi(en)t pas endommagée(s).

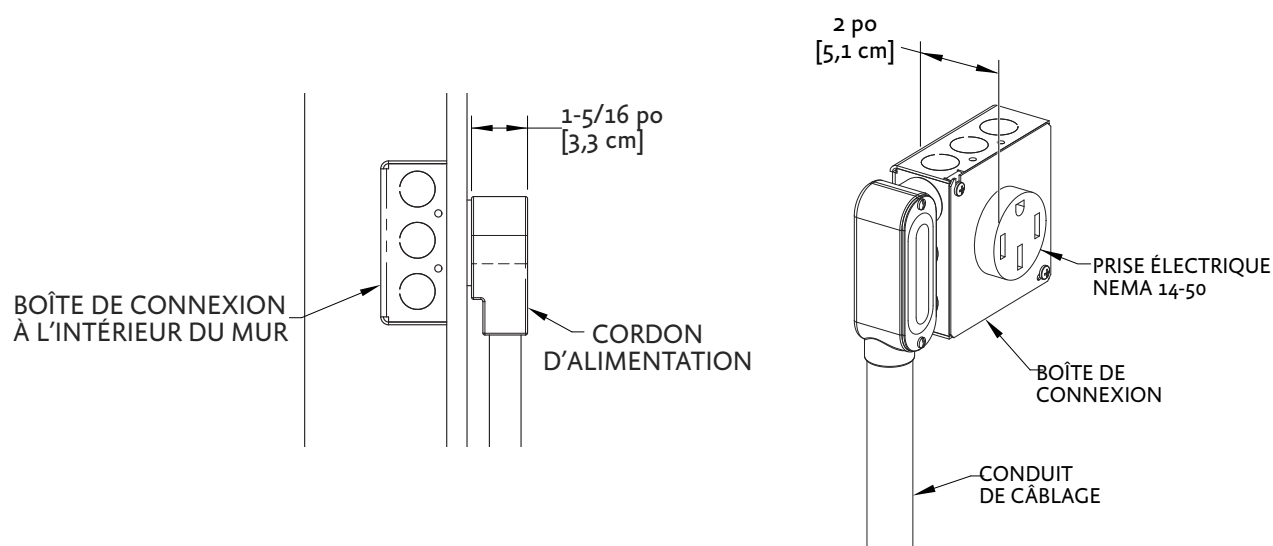
DÉGAGEMENTS ET D'APPROVISIONNEMENT ÉLECTRIQUE

S'il n'est pas déjà en place, installez la prise de courant / boîte de jonction comme indiqué dans les dégagements d'installation sur les pages suivantes. Toute ouverture dans le mur ou le sol derrière l'appareil doit être scellée.

La cuisinière est conçue pour être installée près du mur arrière*. Il peut être nécessaire de repositionner la réceptacle d'alimentation / boîte de connexion afin d'accommoder la cuisinière lorsqu'elle est repoussée contre le mur.

La boîte de connexion murale ne doit pas dépasser de plus de 2-3/8 po [6,1 cm] du mur et permettez toujours que l'arrière de la cuisinière soit presque au même niveau que le mur arrière.

* Sauf si installé dans une île sans mur arrière.



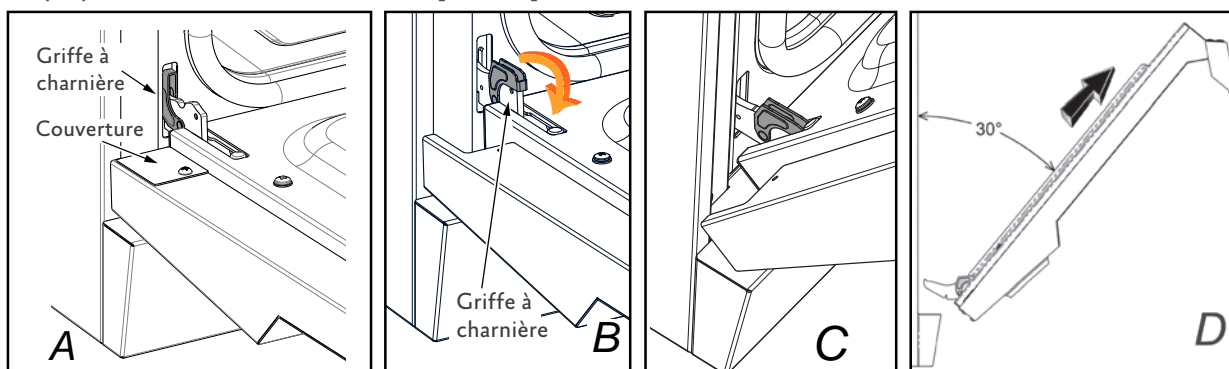
ARMOIRES

Pour éliminer le risque de brûlures ou d'incendie lorsqu'on se penche au-dessus des unités de surface chauffées, il convient d'éviter d'utiliser l'espace de rangement offert par les armoires situés au-dessus des unités de surface. Si on doit prévoir un espace de rangement, le risque peut être réduit en installant la hotte d'évacuation requise de façon à ce qu'elle dépasse horizontalement d'au moins 5 po [12,7 cm] du fond des armoires.

RETRAIT DE LA PORTE DU FOUR

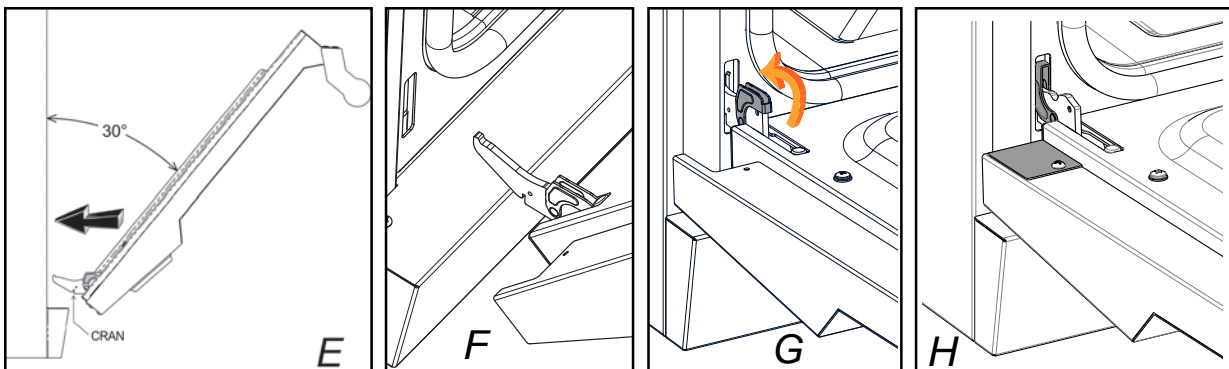
Si vous avez une porte très étroite s'ouvrant sur votre cuisine, la(les) porte(s) du four peu(ven)t être enlevée(s). **NE RETIRER QUE SI ABSOLUMENT NÉCESSAIRE.** Le retrait de la ou des portes ne doit être effectué que par un installateur ou un technicien de maintenance agréé. Assurez-vous que le four est complètement refroidi et que l'alimentation électrique est coupée. Ne pas le faire peut provoquer un choc électrique ou une brûlure. Faites attention en enlevant la porte, car elle est très lourde. Veillez à déconnecter le fil à l'intérieur de la porte.

1. Ouvrez la porte du four complètement.
2. Retirez le couvercle près de la charnière pour accéder au connecteur électrique à l'intérieur. À l'aide d'une petite pince à bec fin et d'un petit tournevis à lame plate, déconnectez les fils à l'intérieur de la porte. [A]
3. À chaque emplacement de charnière, faites pivoter le griffe de charnière vers l'avant jusqu'à ce qu'il s'arrête. Un tournevis peut être nécessaire pour ce faire. [B]
4. Fermez doucement la porte du four jusqu'à ce qu'elle s'arrête contre les griffes à charnières, ou à environ 30° de la position fermée. Tenez fermement les deux côtés de la porte (pas la poignée) et tirez la porte droit vers le haut pour la séparer des charnières. Demandez à un assistant de vous aider à diriger les fils hors du bas de la porte de façon à ce qu'elle ne soit suspendue à rien. Placez la porte du four dans un endroit sûr jusqu'à ce que vous en ayez besoin. **NE JAMAIS relâcher les griffes à charnières et essayer de fermer les charnières.** Cela fermera les charnières avec une grande force, ce qui pourrait causer des blessures. [C & D]



RÉINSTALLATION DE LA PORTE DU FOUR

1. Tenez fermement la porte des deux côtés (**PAS PAR LA POIGNÉE**) à environ 30° de la position fermée et insérez les charnières dans les fentes du four. Le bord inférieur de chaque charnière comporte une encoche qui doit se loger à l'intérieur de l'ouverture de la fente. **NE PAS FORCER, COURBER NI GAUCHIR LA PORTE!** [E & F]
2. Ouvrez lentement la porte complètement. Faites pivoter les griffes à charnières à l'opposé de vous jusqu'à ce qu'elles soient complètement à l'intérieur de l'ouverture de la fente et complètement insérées. Un tournevis peut vous aider à le faire. [G]
3. Rebranchez le connecteur électrique et assurez-vous qu'il est bien fixé à l'intérieur de la porte. Remettez le petit couvercle en plastique en place. [H]
4. Fermez doucement la porte du four pour vérifier son bon fonctionnement.



EMPLACEMENT ET INSTALLATION / VENTILATION (SUITE)

NIVELLEMENT

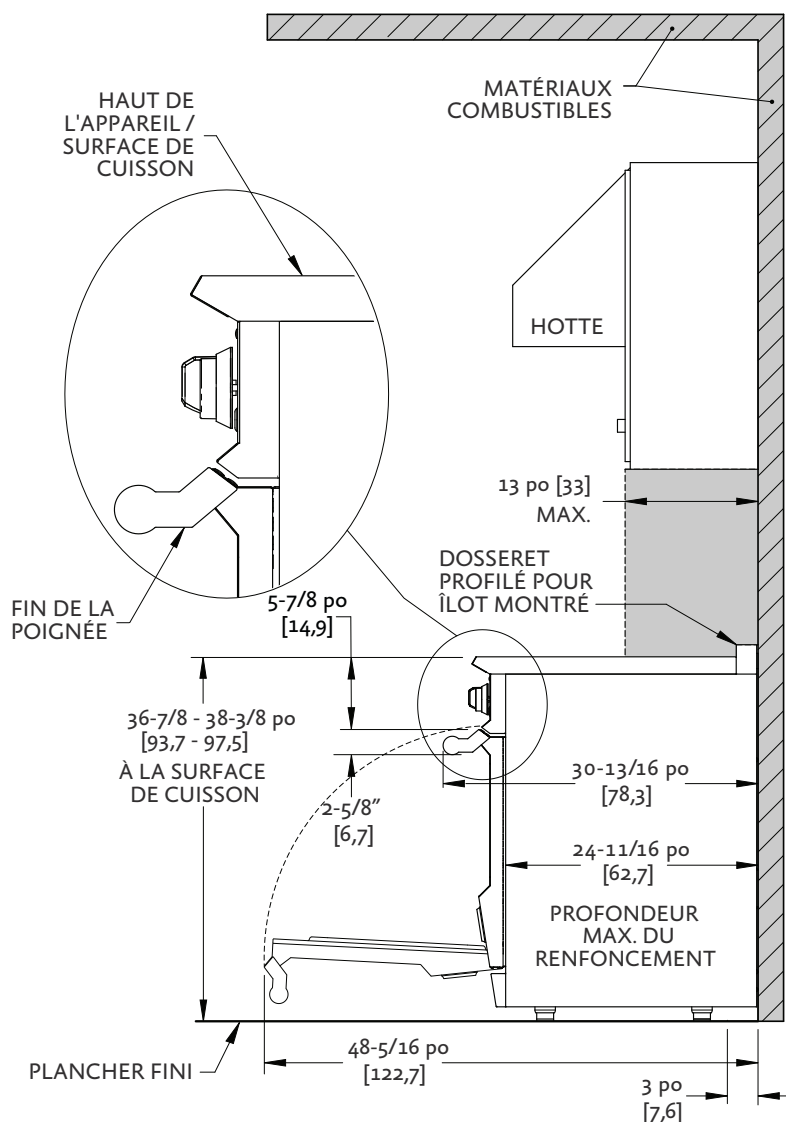
La cuisinière doit être de niveau. Soulevez ou abaissez la cuisinière à la hauteur désirée en ajustant les quatre pieds de mise de niveau sous la cuisinière. Les pieds peuvent être tournés à la main. Il peut être nécessaire d'utiliser un levier ou un autre dispositif de levage pour aider à soulever temporairement l'unité pour tourner les pieds. Ne pas soulever ou tirer le levier depuis l'avant ou l'arrière, uniquement depuis les côtés.

FR

▲ PRÉCAUTION

Le dessus de l'appareil doit être au même niveau ou plus haut que les surfaces des plans de travail contigus. Le fait de ne pas ajuster la hauteur peut exposer les armoires contigus à une chaleur excessive qui pourrait endommager les armoires ou le plan de travail.

DÉGAGEMENTS D'INSTALLATION - TOUS LES DOSSERETS

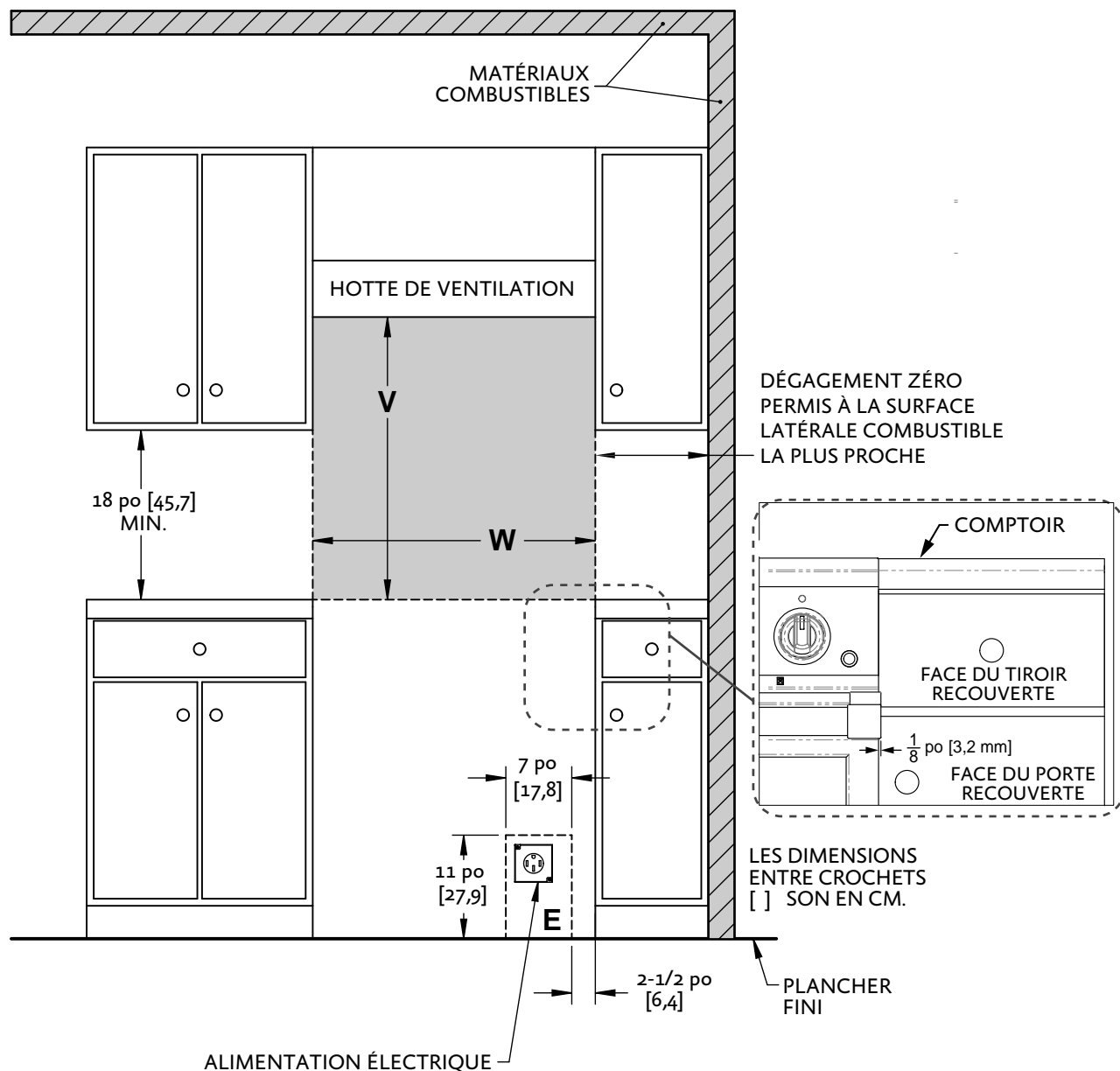


LES DIMENSIONS ENTRE CROCHETS []
SON EN CM.

EMPLACEMENT DE
L'ALIMENTATION
DE L'ÉLECTRICITÉ
SUR LE PLANCHER.

VUE DE CÔTÉ

DÉGAGEMENTS D'INSTALLATION 30 PO - TOUS LES DOSSERETS



VUE DE FACE

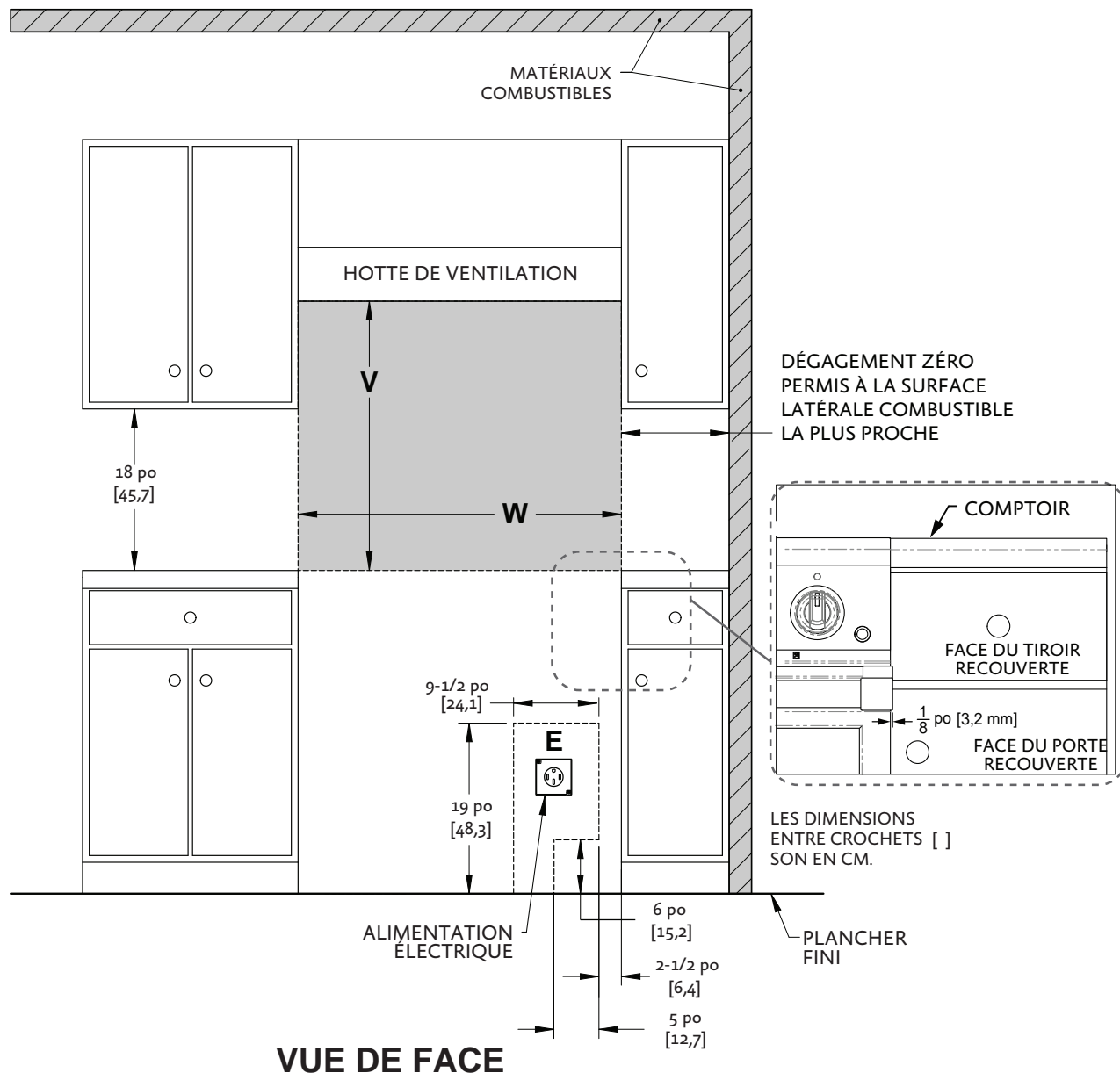
MODÈLE DE CUISINIÈRE	W	V (MIN)
KR130	30 po [76,2]	30 po [76,2]

REMARQUES:

- LES ZONES OMBRÉES INDIQUENT LES ENDROITS OÙ LES MATÉRIAUX COMBUSTIBLES SON PROHIBÉS.
- LE DESSUS DE L'APPAREIL DOIT ÊTRE AU MÊME NIVEAU OU PLUS HAUT QUE LES SURFACES DES PLANS DE TRAVAIL CONTIGUS.
- «E» EST LA ZONE D'ALIMENTATION ÉLECTRIQUE.
- «W» INDIQUE L'OUVERTURE DESTINÉE À L'APPAREIL.
REMARQUE: LA FIN DE LA POIGNÉE S'ÉTEND DE 1/8 PO [3,2 mm] AU-DELÀ DE CHAQUE CÔTÉ DE L'APPAREIL. IL PEUT ÊTRE NÉCESSAIRE DE FOURNIR UNE ADAPTATION À DES TIROIRS OU DES ARMOIRES ADJACENTS.
- «V» INDIQUE LE DÉGAGEMENT MIN. PAR RAPPORT À LA HOTTE DE VENTILATION.

EMPLACEMENT ET INSTALLATION / VENTILATION (SUITE)

DÉGAGEMENTS D'INSTALLATION 36 PO - TOUS LES DOSSERETS



MODÈLE DE CUISINIÈRE	W	V (MIN)
KR136	36 po [91,4]	30 po [76,2]

REMARQUES:

- LES ZONES OMBRÉES INDIQUENT LES ENDROITS OÙ LES MATÉRIAUX COMBUSTIBLES SON PROHIBÉS.
 - LE DESSUS DE L'APPAREIL DOIT ÊTRE AU MÊME NIVEAU OU PLUS HAUT QUE LES SURFACES DES PLANS DE TRAVAIL CONTIGUS.
 - «E» EST LA ZONE D'ALIMENTATION ÉLECTRIQUE.
 - «W» INDIQUE L'OUVERTURE DESTINÉE À L'APPAREIL.
- REMARQUE: LA FIN DE LA POIGNÉE S'ÉTEND DE 1/8 PO [3,2 mm] AU-DELÀ DE CHAQUE CÔTÉ DE L'APPAREIL. IL PEUT ÊTRE NÉCESSAIRE DE FOURNIR UNE ADAPTATION À DES TIROIRS OU DES ARMOIRES ADJACENTS.
- «V» INDIQUE LE DÉGAGEMENT MIN. PAR RAPPORT À LA HOTTE DE VENTILATION.

EMPLACEMENT ET INSTALLATION / VENTILATION (SUITE)

EXIGENCES DE VENTILATION

Il est fortement recommandé d'installer cet appareil avec une hotte Hestan. Bien que cet appareil n'ait pas la puissance thermique élevée d'une cuisinière à gaz traditionnelle, l'évacuation de la vapeur (d'eau), des vapeurs et des odeurs de cuisson est toujours souhaitable. Il est très important que l'installation de la hotte et des conduits réponde aux codes de construction locaux et soit réalisée par un technicien qualifié.

N'utilisez pas de système de ventilation à tirage descendant.

Ne montez pas un ensemble four à micro-ondes / ventilateur au-dessus de la cuisinière. Ces types d'unités n'offrent pas un débit d'air suffisant et n'ont pas été testés avec ce type d'appareil.

Pour les hottes de ventilation non approuvées par Hestan, la hotte de ventilation et /ou le souffleur doivent être évalués à au moins 300 CFM [510 m³/h] pour des tailles de cuisinière à induction de 30 et 36 po.

Pour les applications en îlot, il est recommandé d'utiliser une hotte d'évacuation plus large de 6 po [15,2 cm] que l'appareil, pour permettre un chevauchement de 3 po [7,6 cm] à gauche et à droite de l'appareil.

Gardez le conduit court aussi court et droit que possible. Les coudes et les raccords de transition réduisent l'efficacité du flux d'air. Hestan recommande de maintenir la longueur du conduit à moins de 50 pieds [15,2 m].

CONSULTEZ VOTRE CONCESSIONNAIRE HESTAN POUR CHOISIR LA HOTTE DE VENTILATION APPROPRIÉ POUR VOTRE APPAREIL HESTAN.

DOSSERET ET ACCESSOIRES

PRÉCAUTION

Les accessoires en tôle tels que le dossier et les zones à l'arrière de la cuisinière peuvent avoir des bords tranchants. Portez des gants de travail pendant la manipulation et l'installation de ces articles.

DOSSERET

Votre cuisinière Hestan est fournie en usine avec un dossier Island Trim (à Profilé pour Îlot). Voir le Tableau 1 de la section APPENDICE de ce manuel pour d'autres options de dossier disponibles chez votre concessionnaire Hestan. La sélection du dossier approprié dépend du lieu d'installation et des matériaux contigus, ainsi que du type de hotte à utiliser. Les instructions d'installation accompagnent le kit de dossier.

PRÉCAUTION

Le haut du dossier sert d'échappement pour le four pendant le fonctionnement et comme évent pour évacuer la chaleur de la partie supérieure de la cuisinière. **NE PAS BLOQUER** ou obstruer le haut du dossier. **NE PAS** touchez le haut du dossier pendant le fonctionnement de l'appareil, car il pourrait chauffer. Lui laisser suffisamment de temps pour refroidir avant de toucher ou de nettoyer cette zone. **NE PAS** placer à proximité d'objets en plastique ou d'autres objets sensibles à la chaleur qui pourraient fondre ou brûler.

INSTALLATION DU DISPOSITIF ANTI-BASCULEMENT



AVERTISSEMENT

LE DISPOSITIF ANTI-BASCULEMENT FOURNI AVEC CETTE CUISINIÈRE DOIT ÊTRE INSTALLÉ.

PRÉPARATION



AVIS

DÉGÂTS MATÉRIELS POSSIBLES - Faites appel à un installateur ou à un entrepreneur qualifié pour déterminer la méthode appropriée de fixation du support anti-basculé sur le mur arrière ou le plancher derrière votre cuisinière. Des perceuses ou des outils spéciaux peuvent être nécessaires pour percer des trous dans le mur ou le plancher (carreaux de céramique, planchers de bois dur, etc.).



AVERTISSEMENT

RISQUE DE CHOC ÉLECTRIQUE - Faites preuve d'une extrême prudence lorsque vous percez des trous dans le mur ou le plancher, car il pourrait y avoir des fils cachés. Identifier les circuits électriques qui pourraient être affectés par l'installation du support anti-basculé. Coupez l'alimentation de ces circuits. Le non-respect de ces instructions peut entraîner la mort ou un choc électrique.

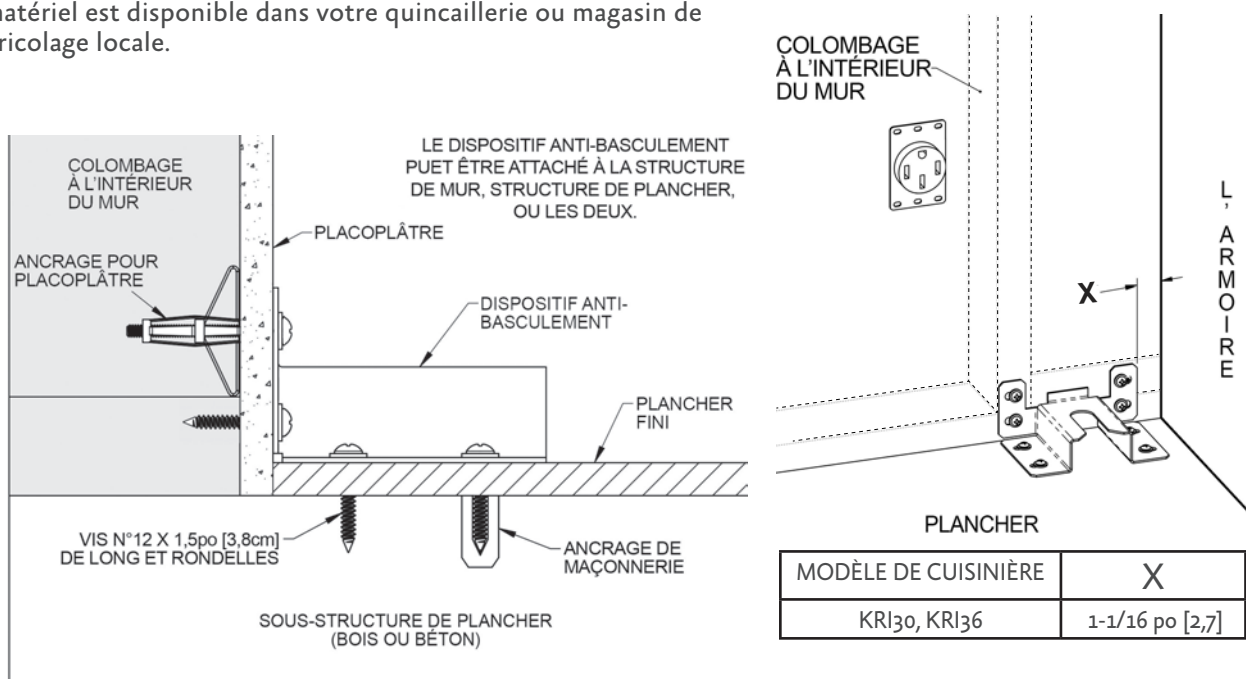
PRÉPARATION DES TROUS

Le support anti-basculé doit être installé dans des matériaux solides, tels que des colombage en bois dans le mur ET des solives de plancher sous le plancher fini. Ils doivent être capables de résister aux forces exercées sur le support par la cuisinière si celle-ci bascule. Si des colombage en bois ou d'autres matériaux appropriés ne se trouvent pas dans la zone désignée derrière la cuisinière, vous devez fixer le support à l'aide d'ancrages pour placoplâtre appropriés ou d'attaches similaires.

INSTALLATION DEVANT DU PLACOPLÂTRE: Après avoir positionné le support conformément au schéma ci-dessous, marquez les trous et percez les trous appropriés conformément aux instructions fournies avec les ancrages muraux. Pour le panneau isorel ou en plâtre massif, vous aurez peut-être besoin de différentes chevilles, disponibles dans votre quincaillerie ou magasin de bricolage locale.

INSTALLATION SUR PLANCHER DE BOIS: Après avoir positionné le support comme indiqué sur le schéma ci-dessous, marquer les trous et percer les trous appropriés pour les grandes vis à bois n°12 ou similaires, d'au moins 1,5 po [3,8 cm] de longueur. Utilisez également des rondelles. Tout le matériel est disponible dans votre quincaillerie ou magasin de bricolage locale.

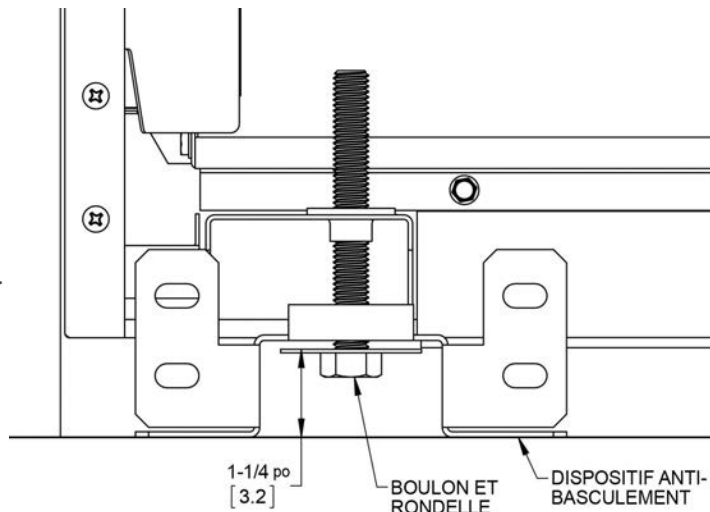
INSTALLATION SUR PLANCHER DE BÉTON: Après avoir positionné le support comme indiqué sur le schéma ci-dessous, marquer les trous et percer les trous appropriés pour les gros ancrages de maçonnerie n°12 ou similaires, d'au moins 1,5 po [3,8 cm] de longueur. Utilisez également des rondelles. Tout le matériel est disponible dans votre quincaillerie ou magasin de bricolage locale.



INSTALLATION DU DISPOSITIF ANTI-BASCULEMENT (SUITE)

AJUSTEMENT DU BOULON ANTI-BASCULEMENT

Après avoir mis à niveau la cuisinière, et après avoir fixé le support, réglez le boulon anti-basculement et la grosse rondelle sous la cuisinière de façon à ce que le dessus de la rondelle soit à 1-1/4 po [3,2 cm] au maximum du plancher. Faites glisser la cuisinière dans l'ouverture du support et vérifiez que le boulon est engagé dans le support comme indiqué ci-dessous. Faites délicatement basculer la cuisinière vers l'avant pour vérifier. La cuisinière ne doit pas bouger de plus de 1 po [2,5 cm].



VUE ARRIÈRE

BRANCHEMENTS ÉLECTRIQUES

AVERTISSEMENT

RISQUE DE CHOC ÉLECTRIQUE

Débranchez l'alimentation avant d'installer ou d'entretenir l'appareil. Avant de mettre l'appareil sous tension, assurez-vous que toutes les commandes sont en position «OFF». Ne pas le faire peut entraîner un choc électrique ou la mort.

MISE À LA TERRE ÉLECTRIQUE

Cet appareil doit être mis à la terre. La mise à la terre réduit le risque de choc électrique en cas de court-circuit. La mise à la terre par le conducteur neutre est interdite pour les nouvelles installations de circuit de dérivation (1996 NEC), ainsi dans les maisons mobiles et les véhicules récréatifs, ou dans une zone où les codes locaux l'interdisent. Cette cuisinière a été configurée à l'usine pour un branchement à 4 fils.

PRÉCAUTION

Une mise à la terre incorrecte entraînera des dysfonctionnements dans l'unité, tels que des étincelles continues des allumeurs. Cela peut endommager l'appareil et créer une situation d'électrocution.

BRANCHEMENT ÉLECTRIQUE

L'appareil peut être connecté à l'aide du cordon fourni ou par un câblage fixe. L'appareil doit avoir son propre circuit distinct - 240 VAC, monophasé, 60 Hz, avec un ampérage comme indiqué dans la liste des numéros de modèle à la page 2. L'installation doit être effectuée conformément aux codes locaux, ou en l'absence de codes locaux, elle doit être installée conformément au Code National de l'Électricité, ANSI / NFPA 70.

AVERTISSEMENT

Pour les installations aux États-Unis et au Canada: Cet appareil est équipé de fils de cuivre et il doit être connecté uniquement à des fils de cuivre. Une connexion inadéquate du câble électrique en aluminium peut entraîner un risque d'incendie ou d'électrocution. Utilisez uniquement des connecteurs conçus et certifiés pour la connexion au fil d'aluminium et installés par un électricien qualifié.

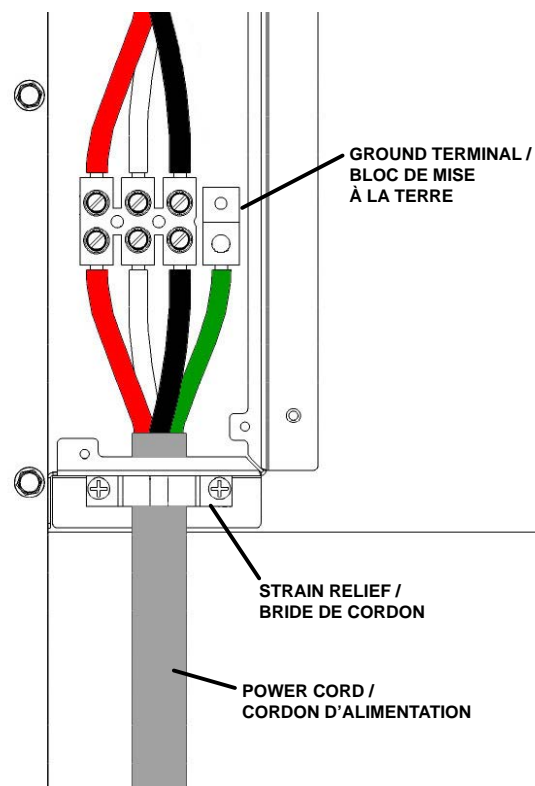


BRANCHEMENTS ÉLECTRIQUES (SUITE)

POUR UNE CONNEXION À 4 FILS

Pour les installations où de faire la mise à la terre via le conducteur neutre est prohibée. N'utilisez que des kits de cordon à 4 conducteurs pour 125/250 volts (min), 50 ampères et étiquetés «Conçue pour les Cuisinières». Votre cuisinière Hestan est pré-câblée à l'usine pour une connexion à 4 fils et est dotée de ce cordon.

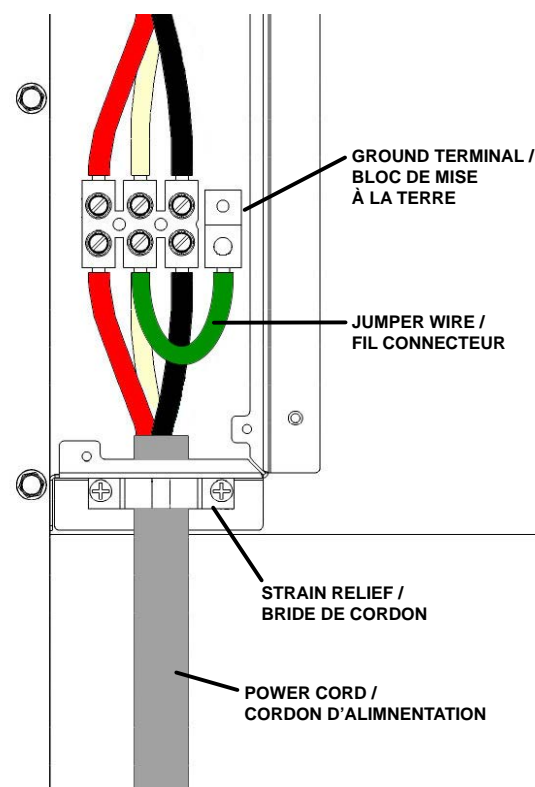
1. Assurez-vous que le panneau d'alimentation / disjoncteur est hors tension.
2. Retirez le panneau d'accès étroit à l'arrière de la cuisinière et repérez la borne du châssis. Raccorder le fil VERT de mise à la terre de l'appareil du circuit d'alimentation ou du cordon au châssis à l'aide de la vis de terre.
3. Raccorder le fil neutre BLANC de l'appareil au fil neutre BLANC du boîtier électrique.
4. Raccorder le fil ROUGE (L1) de l'appareil au fil d'alimentation ROUGE du boîtier électrique.
5. Raccorder le fil NOIR (L2) de l'appareil au fil d'alimentation NOIR du boîtier électrique.
6. Resserrer tous les raccords. Le bride de cordon doit être installée.



POUR UNE CONNEXION À 3 FILS

Pour les installations où de faire la mise à la terre via le conducteur neutre est autorisée. N'utilisez que des kits de cordon à 3 conducteurs de 125/250 volts (min), 50 ampères et étiquetés «Conçue pour les Cuisinières». Ce cordon est disponible dans les quincailleries et les magasins de bricolage.

1. Assurez-vous que le panneau d'alimentation / disjoncteur est hors tension.
2. Retirez le panneau d'accès étroit à l'arrière de la cuisinière et repérez la borne du châssis. Raccorder le fil VERT de mise à la terre de l'appareil de la terre de l'appareil et le fil neutre BLANC au fil neutre BLANC du boîtier électrique.
3. Raccorder le fil ROUGE (L1) de l'appareil au fil d'alimentation ROUGE du boîtier électrique.
4. Raccorder le fil NOIR (L2) de l'appareil au fil d'alimentation NOIR du boîtier électrique.
5. Resserrer tous les raccords. Le bride de cordon doit être installée.



PHASE FINALE DE L'INSTALLATION

Retirez tous les matériaux d'emballage final et le film protecteur de toutes les zones extérieures. Vérifiez l'intérieur du four pour d'autres articles d'emballage, du ruban adhésif sur les grilles du four, etc.

Avant de tester le fonctionnement de l'appareil, vérifiez que l'alimentation électrique a été rétablie dans l'unité.

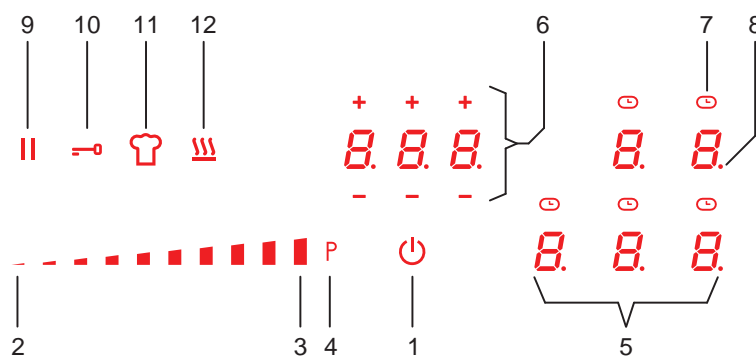
AVIS

Toutes les boutons de commande doivent être en position «OFF» pour éviter une mise en marche intempestive lors de la mise sous tension. Pour assurer la sécurité du client en cas de panne de courant, le cuisinière affichera un message d'erreur lorsque l'alimentation est rétablie, à moins que tous les boutons ne soient en position «OFF». Réglez tous les boutons sur «OFF» et réarmez le disjoncteur pour effacer le message d'erreur.

N'ESSAYEZ PAS D'UTILISER LA CUISINIÈRE PENDANT UNE PANNE DE COURANT PROLONGÉE.

ESSAI FONCTIONNEL

1. Remplir un ustensile de cuisson à induction avec 1/2 - 1 po [1.2-2.5 cm] d'eau et le placer sur l'une des zones de cuisson.
2. Allumez la commande en appuyant sur la touche [ON OFF] (1).
 - Si les commandes sont verrouillées, appuyez sur le bouton de verrouillage (10) pendant quelques secondes. Le verrou est désactivé et les commandes doivent répondre.
3. Appuyez sur la touche de sélection de zone (5) pour la zone de cuisson où se trouve l'ustensile de cuisson.
4. Appuyez sur le curseur d'alimentation de cette zone et réglez-le sur un niveau compris entre 3 et 9.
5. Observez que l'affichage répond au réglage de puissance et observez que la ustensile de cuisson commence à chauffer.
6. Appuyez sur la touche de sélection (5) de cette zone pour l'éteindre.
7. Appuyez sur la touche [ON OFF] pour éteindre la table de cuisson.



INTERFACE UTILISATEUR			
1	ON/OFF (Marche / Arrêt)	7	Indicateur de l'horloge de la minuterie (pour chaque zone)
2	Curseur d'alimentation - puissance minimale	8	Point indicateur de sélection
3	Curseur d'alimentation - puissance maximale	9	Fonction de pause / rappel
4	BOOSTER (amplificateur) de Puissance (P)	10	Fonction de verrouillage des touches
5	Affichages de la zone de cuisson	11	Fonction Chef Cook
6	Affichage de la minuterie et touches de réglage + / -	12	Fonction de Réchauffement

CRITERIA

Si les commandes répondent comme décrit et si l'ustensile chauffe, le test est réussi.

SERVICE

Toutes les réparations sous garantie et hors garantie doivent être effectuées par un technicien qualifié. Pour trouver un réparateur agréé dans votre région, contactez votre concessionnaire Hestan, votre représentant local, ou Hestan. Avant d'appeler, veuillez avoir sous la main le numéro de modèle et le numéro de série.

Hestan Commercial Corporation
3375 E. La Palma Avenue
Anaheim, CA 92806
(888) 905-7463

FR

APPENDICE

TABLEAU 1 - OPTIONS DU DOSSERET		
MODÈLE DE CUISINIÈRE	MODÈLE DE DOSSERET	DESCRIPTION
KRI30	KBGIT30*	DOSSERET, PROFILE POUR ÎLOT, 30 PO
	KBGLB30	DOSSERET, ARRIÈRE BAS, 30 PO
	KBGHS30	DOSSERET, ÉTAGÈRE HAUTE , 30 PO
KRI36	KBGIT36*	DOSSERET, PROFILE POUR ÎLOT, 36 PO
	KBGLB36	DOSSERET, ARRIÈRE BAS, 36 PO
	KBGHS36	DOSSERET, ÉTAGÈRE HAUTE , 36 PO

* INCLUS AVEC LA CUISINIÈRE

**RETAIN THIS MANUAL FOR FUTURE REFERENCE
CONSERVEZ CE MANUEL POUR UNE RÉFÉRENCE FUTURE**



Hestan Commercial Corporation

3375 E. La Palma Ave
Anaheim, CA 92806
(888) 905-7463