



**Induction Range  
KRI36  
Parts List**

**Hestan Commercial Corporation  
3375 E. La Palma Ave.  
Anaheim, CA 92806  
(888)905-7463**

**RETAIN THIS FOR FUTURE REFERENCE**

6

5

4

3

2

1

D

D

C

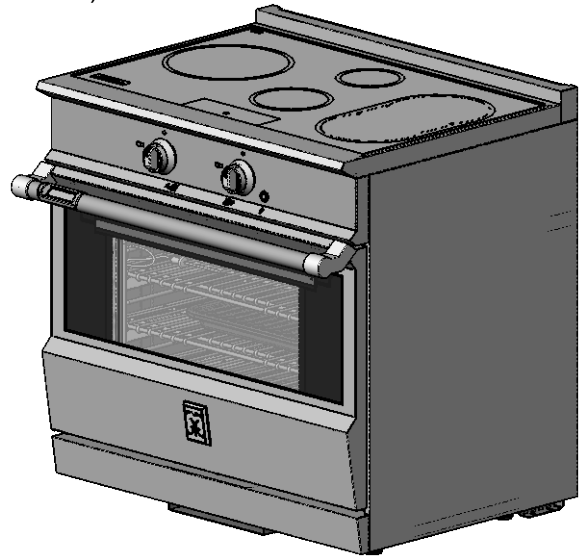
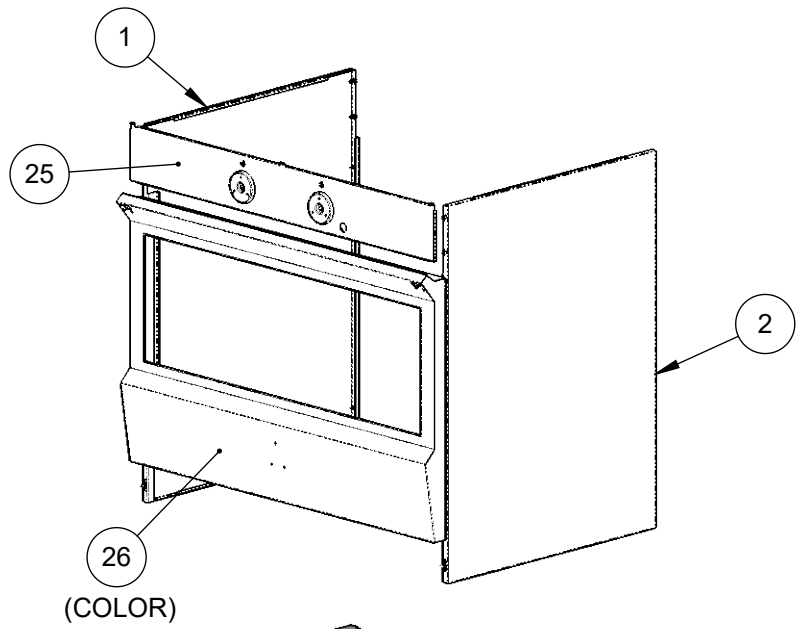
C

B

B

A

A



**HESTAN**

All warranty and non-warranty repairs should be performed by qualified service personnel. To locate an authorized service agent, contact your Hestan dealer, local representative, or the manufacturer. Before you call, please have the model number and serial number information ready.  
 Hestan Commercial Corp.  
 (888) 905-7463

Color Extension (-XX)	Description
	Stainless Steel
-BK	Stealth - Black
-WH	Froth - White
-RD	Matador - Red
-YW	Sol - Yellow
-OR	Citra - Orange
-BG	Tin Roof - Burgundy
-PP	Lush - Purple
-BU	Prince - Blue
-GR	Grove - Green
-GG	Pacific Fog - Graphite Gray
-TQ	Bora Bora - Turquoise

SEE SHEET 3 FOR PARTS LIST



PROPRIETARY  
 NO PART OF THIS DOCUMENT MAY BE REPRODUCED, STORED IN A RETRIEVAL SYSTEM, OR TRANSMITTED IN ANY FORM, WITHOUT THE WRITTEN PERMISSION OF Hestan Commercial Corporation. THIS DOCUMENT OR ANY COPIES SHALL BE RETURNED UPON WRITTEN REQUEST.

DESCRIPTION  
**SERVICE - RANGE, INDUCTION, 36"**

DRAWING NO  
**KRI36-SERVICE**

REVISION  
**D**  
 SHEET NO.  
 1 OF 13

6

5

4

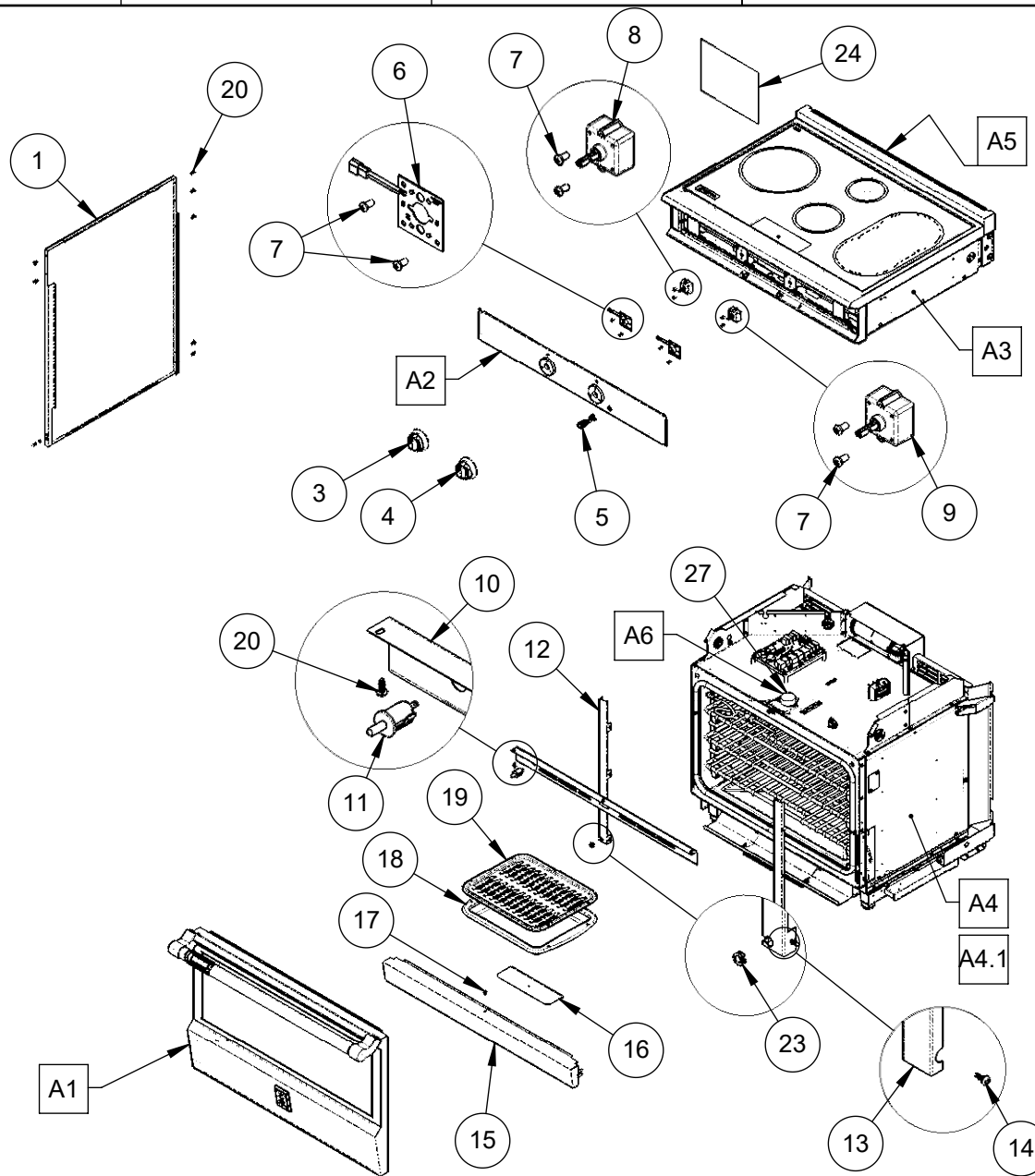
3

2

1

6 5 4 3 2 1

D C B A



OTHER BACKGUARDS

**HESTAN**

All warranty and non-warranty repairs should be performed by qualified service personnel. To locate an authorized service agent, contact your Hestan dealer, local representative, or the manufacturer. Before you call, please have the model number and serial number information ready. Hestan Commercial Corp. (888) 905-7463

SEE SHEET 3 FOR PARTS LIST



**PROPRIETARY**  
 NO PART OF THIS DOCUMENT MAY BE REPRODUCED, STORED IN A RETRIEVAL SYSTEM, OR TRANSMITTED IN ANY FORM, WITHOUT THE WRITTEN PERMISSION OF Hestan Commercial Corporation. THIS DOCUMENT OR ANY COPIES SHALL BE RETURNED UPON WRITTEN REQUEST.

DESCRIPTION  
**SERVICE - RANGE, INDUCTION, 36"**

DRAWING NO  
**KRI36-SERVICE**

REVISION  
**D**  
 SHEET NO.  
 2 OF 13

6 5 4 3 2 1

6

5

4

3

2

1



All warranty and non-warranty repairs should be performed by qualified service personnel. To locate an authorized service agent, contact your Hestan dealer, local representative, or the manufacturer. Before you call, please have the model number and serial number information ready.  
Hestan Commercial Corp.  
(888) 905-7463

ITEM	PART NUMBER	DESCRIPTION	QTY.
1	017663	ASSY, PANEL, SIDE, LEFT, 36" RANGE	1
2	017664	ASSY, PANEL, SIDE, RIGHT, 36" RANGE	1
3	018379	KNOB ASSEMBLY, OVEN FUNCTION, RESIDENTIAL INDOOR	1
4	018380	KNOB ASSEMBLY, OVEN TEMP, RESIDENTIAL INDOOR	1
5	020971	SWITCH, PUSHBUTTON, 19mm, SPST, 5A, 250VAC	1
6	017612	LED MODULE, KNOB LIGHTING	2
7	011857	SERVICE, MS, 8-32 X .375, PH, PAN, SS, PKG 6	1
8	018073	SELECTOR, 10 POSITION, RESIDENTIAL INDOOR	1
9	018072	SELECTOR, 3 POSITION, RESIDENTIAL INDOOR	1
10	018259	GRILL, FRONT, RANGETOP	1
11	018023	SWITCH, PLUNGER, N.O., OVEN DOOR	1
12	018556	TRIM, SIDE, LH, 36" RANGE	1
13	015535	TRIM, SIDE, RH, 36" RANGE	1
14	024256	SERVICE, SMS, #8 X 1/2, PH, ROUND, BLK-OXIDE, SS, PKG 4	1
15	033728	SERVICE, PANEL, KICK, 36" RANGE	1
16	026511	BRACKET, SUPPORT, KICK PANEL, 30" RANGE	1
17	011852	SERVICE, SMS, #8-32 X 3/8, PH, PAN, TYPE F, SS, PKG 4	1
18	007648	PAN, DRIP, ACCESSORY, GRILL	1
19	019010	INSERT, BROILER PAN, INDOOR RANGE	1
20	010242	SERVICE, SMS, #10-24 X 1/2, PH, PAN, TYPE F, SS, PKG 10	1
21	012687	SERVICE, BALL STUD, MALE, 6-32UNC, .052-.078 PNL THK, PKG 4	1
22	012688	SERVICE, NUT, KEPS, 6-32, SS, PKG 4	1
23	018557	GROMMET, SPLIT, .41 ID, .512 PANEL HOLE	1
24	034554	WIRING DIAGRAM, 36 INDUCTION RANGE	1
25	035509	SERVICE, ASSY, CONTROL PANEL INSERT, 36" INDUCTION RANGE	1
26	025809-XX	SERVICE, ASSY., DOOR SKIN, 36" RANGE	1
27	048875	SERVICE, KIT, DOOR LATCH REPLACEMENT, INDOOR RANGE	1

SEE SHEET 1 FOR ITEMS 25 & 26.



PROPRIETARY  
NO PART OF THIS DOCUMENT MAY BE REPRODUCED,  
STORED IN A RETRIEVAL SYSTEM, OR TRANSMITTED IN  
ANY FORM, WITHOUT THE WRITTEN PERMISSION OF  
Hestan Commercial Corporation. THIS DOCUMENT OR ANY  
COPIES SHALL BE RETURNED UPON WRITTEN REQUEST.

DESCRIPTION

**SERVICE - RANGE, INDUCTION, 36"**

DRAWING NO

**KRI36-SERVICE**

REVISION

**D**

SHEET NO.  
3 OF 13

6

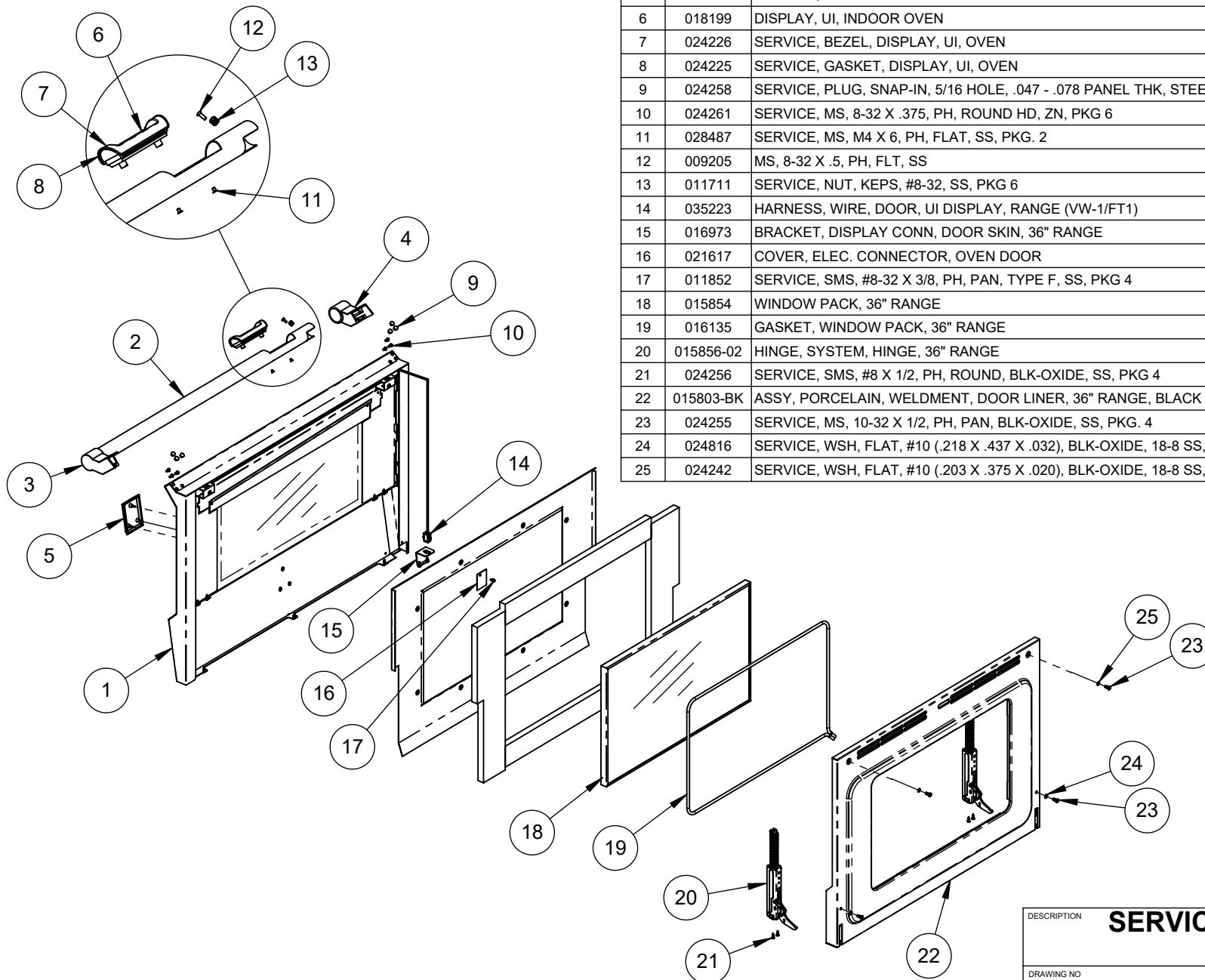
5

4

3

2

1



ITEM	PART NO.	DESCRIPTION	QTY.
1	025809-XX	SERVICE, ASSY., DOOR SKIN, 36" RANGE	1
2	018198	HANDLE, DOOR, INDOOR OVEN, 36" RANGE	1
3	017153	ENDCAP, HANDLE, RH, OVEN DOOR, INDOOR	1
4	017152	ENDCAP, HANDLE, LH, OVEN DOOR, INDOOR	1
5	024252	SERVICE, LARGE HESTAN LOGO W/ RETAINING RINGS	1
6	018199	DISPLAY, UI, INDOOR OVEN	1
7	024226	SERVICE, BEZEL, DISPLAY, UI, OVEN	1
8	024225	SERVICE, GASKET, DISPLAY, UI, OVEN	1
9	024258	SERVICE, PLUG, SNAP-IN, 5/16 HOLE, .047 - .078 PANEL THK, STEEL, NICKEL PLATED, PKG 4	1
10	024261	SERVICE, MS, 8-32 X .375, PH, ROUND HD, ZN, PKG 6	1
11	028487	SERVICE, MS, M4 X 6, PH, FLAT, SS, PKG. 2	1
12	009205	MS, 8-32 X .5, PH, FLT, SS	1
13	011711	SERVICE, NUT, KEPS, #8-32, SS, PKG 6	1
14	035223	HARNES, WIRE, DOOR, UI DISPLAY, RANGE (VW-1/FT1)	1
15	016973	BRACKET, DISPLAY CONN, DOOR SKIN, 36" RANGE	1
16	021617	COVER, ELEC. CONNECTOR, OVEN DOOR	1
17	011852	SERVICE, SMS, #8-32 X 3/8, PH, PAN, TYPE F, SS, PKG 4	1
18	015854	WINDOW PACK, 36" RANGE	1
19	016135	GASKET, WINDOW PACK, 36" RANGE	1
20	015856-02	HINGE, SYSTEM, HINGE, 36" RANGE	2
21	024256	SERVICE, SMS, #8 X 1/2, PH, ROUND, BLK-OXIDE, SS, PKG 4	1
22	015803-BK	ASSY, PORCELAIN, WELDMENT, DOOR LINER, 36" RANGE, BLACK	1
23	024255	SERVICE, MS, 10-32 X 1/2, PH, PAN, BLK-OXIDE, SS, PKG. 4	1
24	024816	SERVICE, WSH, FLAT, #10 (.218 X .437 X .032), BLK-OXIDE, 18-8 SS, PKG 2	1
25	024242	SERVICE, WSH, FLAT, #10 (.203 X .375 X .020), BLK-OXIDE, 18-8 SS, PKG 6	1

**HESTAN**

**SERVICE, DOOR ASSEMBLY,  
DF, 36"**

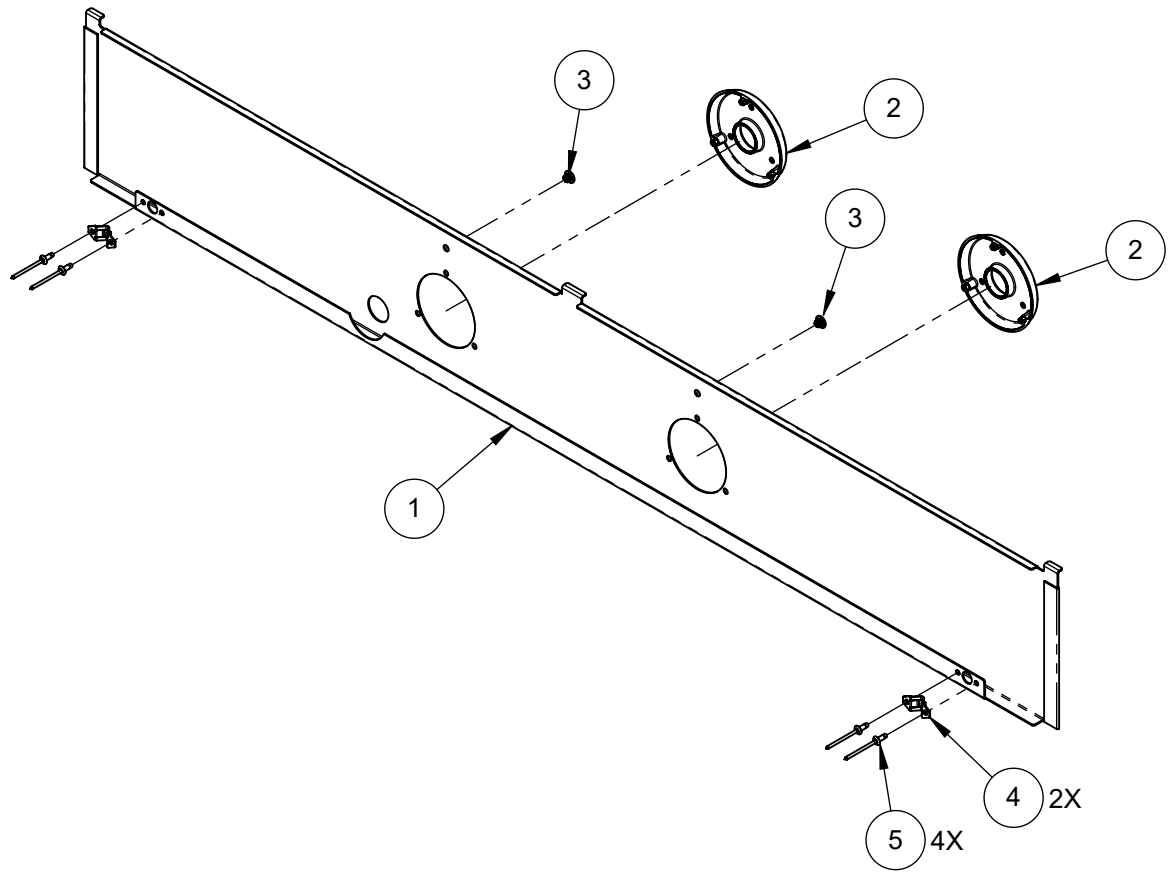
DESCRIPTION

DRAWING NO

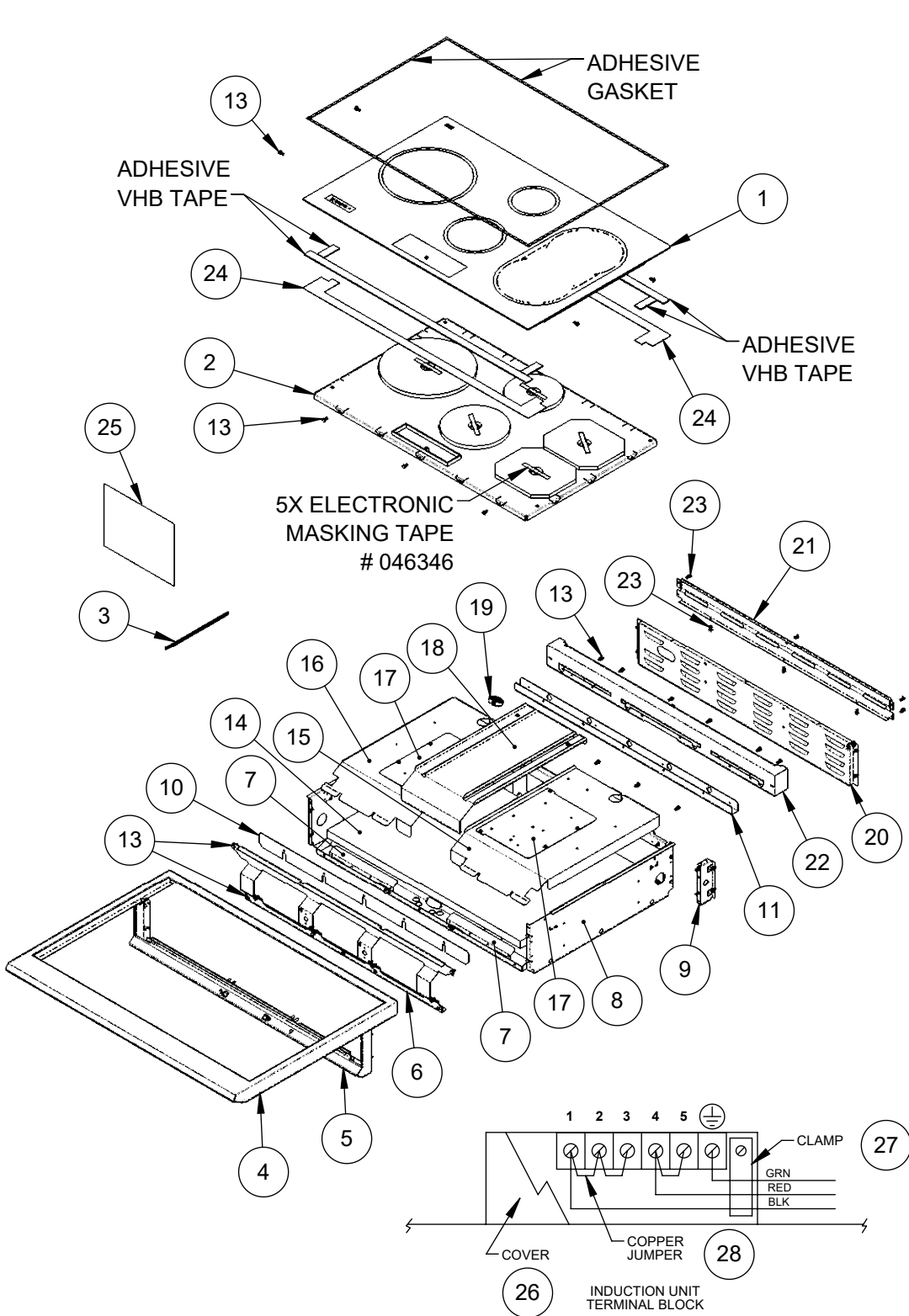
**A1**

REF 034177

ITEM NO.	PART NUMBER	DESCRIPTION	QTY.
1	032970	INSERT, CONTROL PANEL, 36 INDUCTION RANGE	1
2	019744	DIFFUSER LENS, PRESS FIT	2
3	009871	PLUG FOR 1/4-20 SHCS, CHROME	2
4	000852	RECEPTACLE, BALL STUD, 18LB PULL, ZN, C1663-028-3B	2
5	003110	POP RIVET, 1/8DIA X .275L, SS	4



DESCRIPTION	<b>SERVICE, ASSY, CONTROL PANEL INSERT, 36" INDUCTION RANGE</b>
DRAWING NO	<b>A2</b>



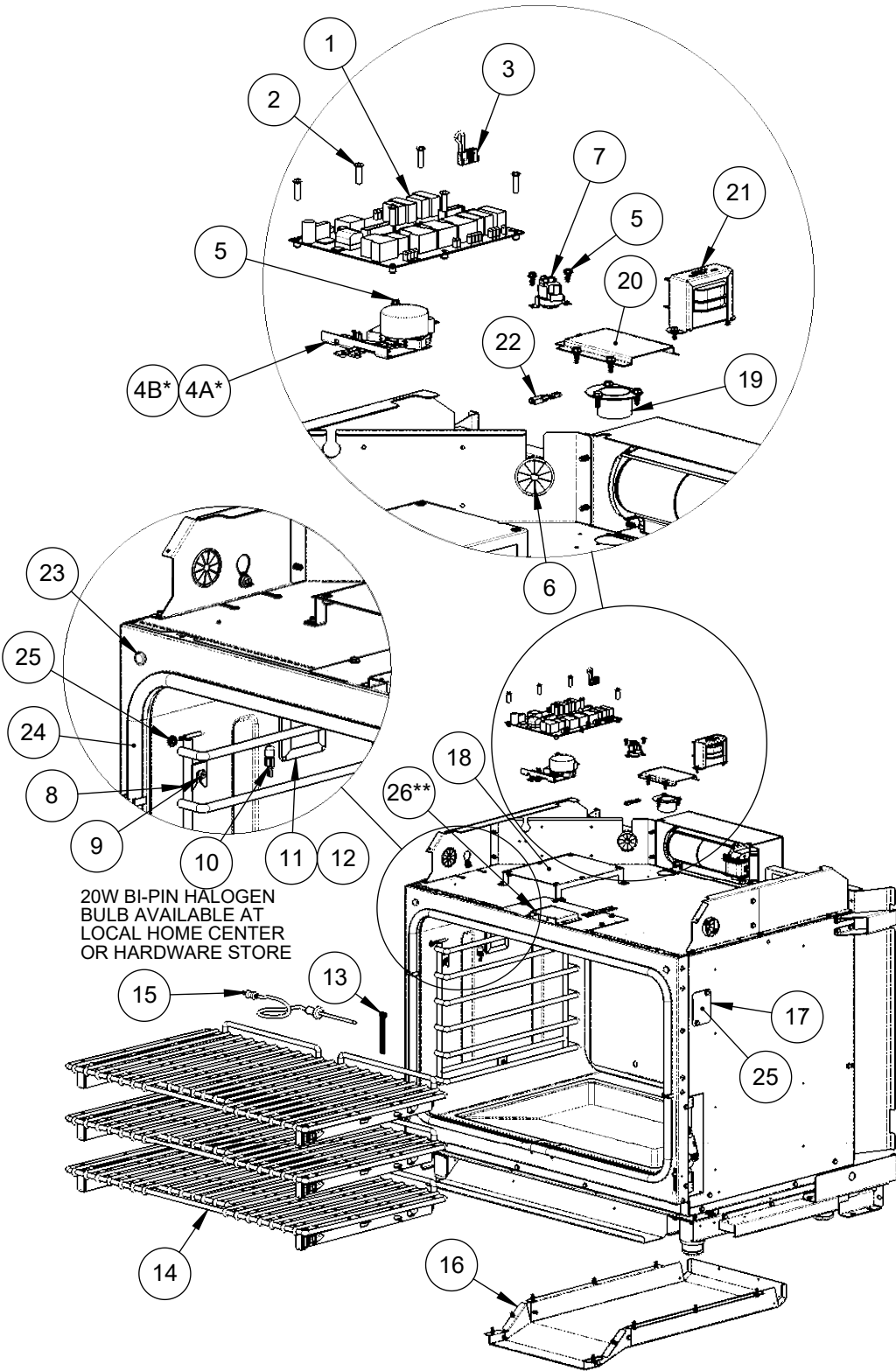
ITEM	PART NUMBER	DESCRIPTION	QTY.
1	034236-BK	GLASS ASSEMBLY, INDUCTION RANGE 36 - BLACK	1
2	034080	INDUCTION UNIT, 36	1
3	034553	HARNESS, WIRE, INDUCTION RANGE (VW-1/FT1)	1
4	034176	BULLNOSE, INDUCTION, WA - 36	1
5	017784-5	CONTROL PANEL, CHIN, ASSY - 36	1
6	034460	CROSSMEMBER, FRONT, FRAME, INDUCTION RANGETOP - 36	1
7	035582	BRACKET, RETAINER, INSULATION	2
8	034170	FRAME, RANGETOP, RESIDENTIAL INDOOR - 36 INDUCTION	1
9	032936	BRACKET, MOUNTING, RISER, REAR ACCESS, RANGETOP	2
10	046325	BRACKET, INDUCTION, FRONT - 36	1
11	046261	BRACKET, INDUCTION, REAR - 36	1
13	024263	SERVICE, SMS, #10-24 X .50, HEXWSH, TYPE F, SS, PKG 10	1
14	020782	INSULATION, BOTTOM, 1" THK, 36" RANGE	1
15	035615	COVER, INSULATION, INDUCTION	1
16	035622	COVER, INSULATION, INDUCTION - LH	1
17	019412	COVER, OVEN ACCESS, RANGETOP	2
18	035626	COVER, CENTER, INSULATION, INDUCTION	1
19	018393	SNAP BUSHING, 1.06" MAX ID, BLACK	1
20	019680	REAR COVER, 36" RANGETOP	1
21	019654	COVER, RISER, ISLAND, RESIDENTIAL INDOOR - 36	1
22	033015	RISER, ISLAND, INNER SIDE MOUNT, RESIDENTIAL INDOOR - 36	1
23	010242	SERVICE, SMS, #10-24 X 1/2, PH, PAN, TYPE F, SS, PKG 10	1
24	035374	BRACKET, BONDED, REAR, INDUCTION GLASS - 36	2
25	034554	WIRING DIAGRAM, 36 INDUCTION RANGE	1
26	035514	COVER, ELECTRICAL, INDUCTION	1
27	035513	CLAMP TERMINAL, WIRING, INDUCTION UNIT	1
28	035510	JUMPER, COPPER, INDUCTION	3

DESCRIPTION

DRAWING NO

**HESTAN**  
SERVICE - RANGE,  
INDUCTION, 36"

**A3**



ITEM NO.	PART NO.	DESCRIPTION	QTY.
1	016513	RELAY BOARD, ELAN, EOC-U	1
2	014557	SERVICE, MS, 8-32 X .75, PH, PAN, SS, PKG 4	1
3	020720-01	MODEL HEADER, EOCU BOARD	1
4A*	021174	LATCH, DOOR	1
4B*	044954	LATCH, DOOR, NEO	1
5	011852	SERVICE, SMS, #8-32 X 3/8, PH, PAN, TYPE F, SS, PKG 4	1
6	018393	SNAP BUSHING, 1.06" MAX ID, BLACK	2
7	018024	SWITCH, HI-LIMIT	1
8	018230	RACK, LADDER, LH & RH, RANGE, W/A	2
9	017446	SB, #8-32 X 3/16 DIA X 1/4L, SS, PKG 2	1
10	018142	SERVICE, BULB, HALOGEN, G4 BI-PIN, 20W, PKG 2	1
11	024352	SERVICE, LENS, LAMP, HALOGEN, 12V 20W, 65 X 80 mm	1
12	017916	ASSY, LAMP, HALOGEN, 12V 20W, 65 X 80 mm	2
13	035224	HARNESS, WIRE, OVEN, UI DISPLAY, RANGE (VW-1/FT1)	1
14	023554	RACK, WITH SLIDES, INDOOR OVEN, 30"	3
15	018533	PROBE, MEAT	1
16	028416	SERVICE, EXHAUST DUCT ASSY., 30/36 RANGE	1
17	018864	ACCESS PANEL, MEAT PROBE, 36" RANGE	2
18	016514	BRACKET, SUPPORT, RELAY BOARD	1
19	018854	DUCT, SMOKE ELIMINATOR, WA	1
20	018234	DUCT, SMOKE ELIMINATOR	1
21	016512	TRANSFORMER, 40VA, 120VAC TO 12/24V	1
22	035222	HARNESS, WIRE, OVEN TO RANGETOP, RANGE, 30"/36" (VW-1/FT1)	1
23	010197	SERVICE, BUMPER, RUBBER, .50 DIAM. X .250 H, PKG 4	1
24	015484	GASKET ASSY, CELL, OVEN, 36" RANGE	1
25	018425	SOCKET, MEAT PROBE	1
26**	044956	BRACKET, NEO DOOR LATCH MOUNTING	1

\* ITEM 4A: DOOR LATCH (OLD)  
 \* ITEM 4B: DOOR LATCH (NEW)  
 \*\* ITEM 26: FOR NEO LATCH ONLY



DESCRIPTION **SERVICE, OVEN ASSEMBLY, INDUCTION, 36"**

DRAWING NO. **A4**

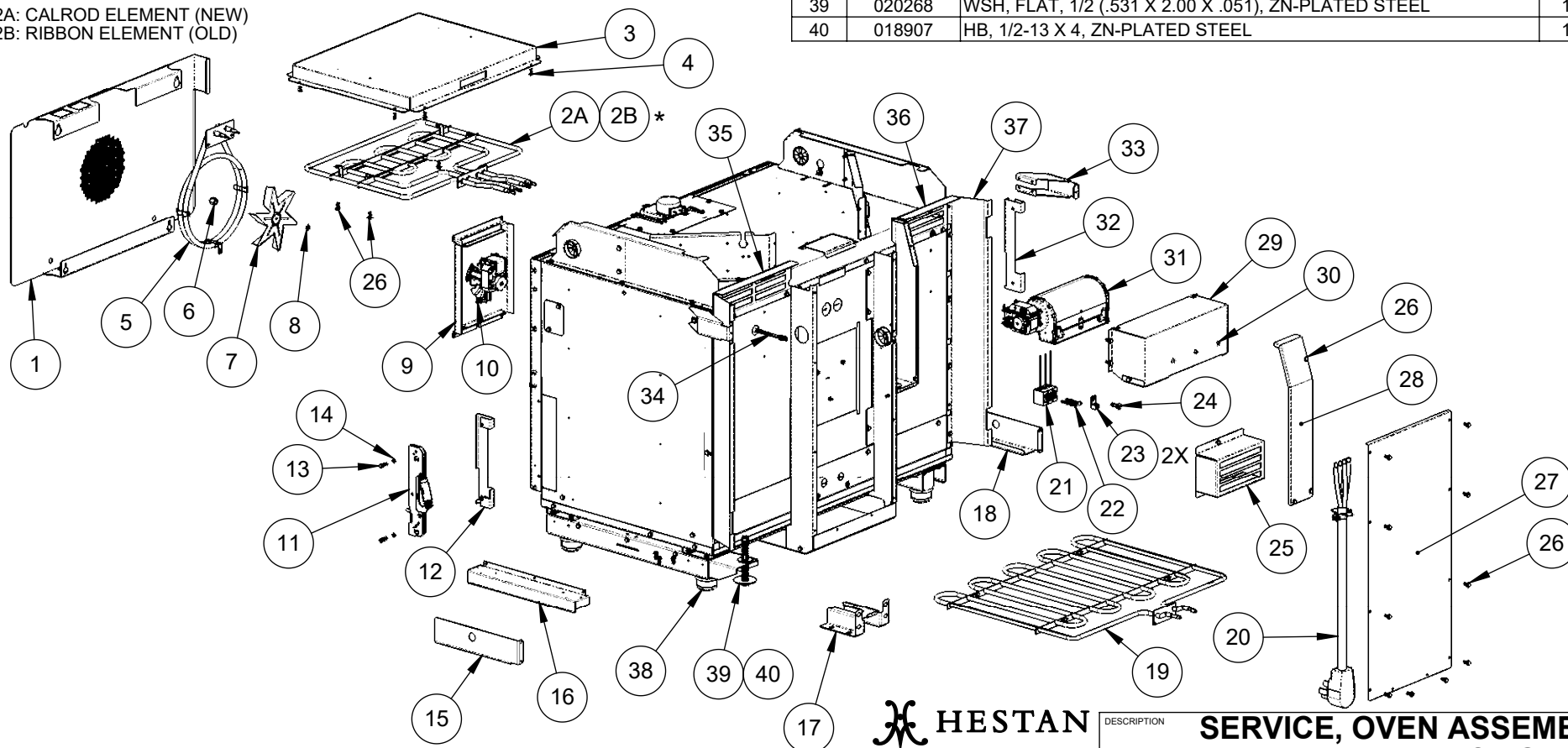


ITEM	PART NO.	DESCRIPTION	QTY.
1	017886-BK	BAFFLE, CONVECTION, PORCELAINED, 36" RANGE	1
2A	032664	ELEMENT, BROIL, 36" RANGE	1
2B	015527	ELEMENT, BROIL, 240V, 3500W, 36" RANGE	1
3	032266	HEAT SHIELD, BROIL, 36" & 30" OVEN, 36" & 48" RANGE	1
4	024256	SERVICE, SMS, #8 X 1/2, PH, ROUND, BLK-OXIDE, SS, PKG 4	1
5	017889	ELEMENT, CONVECTION, 240V 2600W, INDOOR RANGE	1
6	017918	NUT, HEX, 1/4-28, CONV. FAN, RANGE	1
7	017917	BLADE, CONV FAN, 152mm	1
8	018860	WASHER, FLAT, M6	1
9	015529	PLATE, MOUNTING, CONVECTION FAN MOTOR, 36" RANGE	1
10	015530	FAN, CONVECTION, 36" RANGE	1
11	015856-01	RECEIVER, DAMPED, 36" RANGE	2
12	015588	ASSY, WELDMENT, HOLDER, HINGE, RIGHT, 36" RANGE	1
13	024257	SERVICE, MS, 10-32 X 3/4", HEX, ZINC PLATED, STEEL, PKG 4	1
14	024242	SERVICE, WSH, FLAT, #10 (.203 X .375 X .020), BLK-OXIDE, 18-8 SS, PKG 6	1
15	017779	SUPPORT, PANEL, SIDE, RIGHT, LOWER, 36" RANGE	1
16	017778	SPACER, BOTTOM, PANEL, SIDE, 36" RANGE	2
17	029078	ANTI-TIP BRACKET, SMALL, INDOOR RANGE	1
18	017780	SUPPORT, PANEL, SIDE, LEFT, LOWER, 36" RANGE	1

\* ITEM 2A: CALROD ELEMENT (NEW)

\* ITEM 2B: RIBBON ELEMENT (OLD)

19	015493	ASSY, ELEMENT, BAKE, 36" RANGE	1
20	024031	CORD, POWER, 6 FT, NEMA 14-50P, 40A, W/ STRAIN RELIEF	1
21	035221	HARNESS, WIRE, MAIN, RANGE, 30"/36" (VW-1/FT1)	1
22	021800	MS, 8-32 X 1.50, PH, ROUND HD, ZN	1
23	018910	GROUNDING LUG, 1 WIRE, 14-4 AWG	1
24	024253	SERVICE, MS, 1/4-20 x 3/4", PH, PAN, ZN, PKG 4	1
25	020312	COVER, RTD PROBE	1
26	024263	SERVICE, SMS, #10-24 X .50, HEXWSH, TYPE F, SS, PKG 10	1
27	018040	COVER, REAR, DUCT, EXHAUST, 36" RANGE	1
28	019229	ACCESS PANEL, WIRE COVER, INDOOR RANGE	1
29	015521	HOUSING, FAN, COOLING, 36" RANGE	1
30	011852	SERVICE, SMS, #8-32 X 3/8, PH, PAN, TYPE F, SS, PKG 4	1
31	015522	FAN, COOLING, RANGE	1
32	015591	ASSY, WELDMENT, HOLDER, HINGE, LEFT, 36" RANGE	1
33	024023	SUPPORT, PANEL, SIDE, UPPER, 48" RANGE	2
34	018092	RTD PROBE, W/FLANGE, AMP CONNECTOR	1
35	020246	REAR COVER, RH-TOP, 36" RANGE	1
36	019374	REAR COVER, LH-TOP, 36" RANGE	1
37	019373	REAR COVER, LH, 36" RANGE	1
38	018695	LEG, ADJUSTABLE, 3.15 - 4.75" RANGE	4
39	020268	WSH, FLAT, 1/2 (.531 X 2.00 X .051), ZN-PLATED STEEL	1
40	018907	HB, 1/2-13 X 4, ZN-PLATED STEEL	1



**HESTAN**

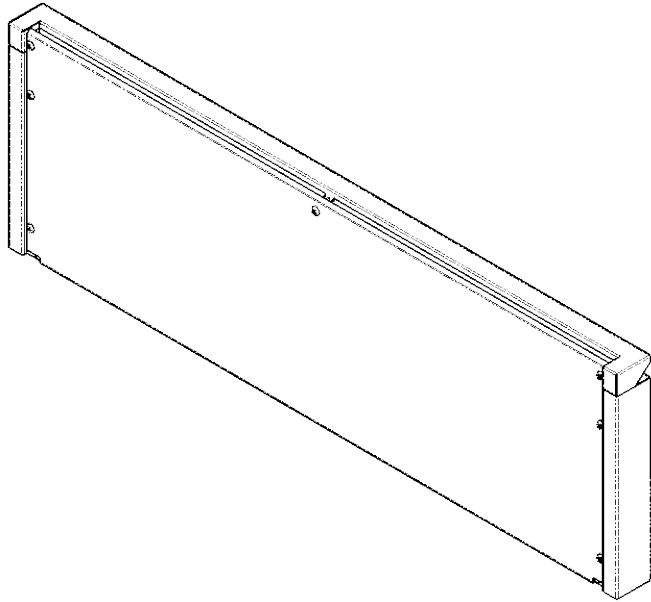
DESCRIPTION

**SERVICE, OVEN ASSEMBLY,  
INDUCTION, 36"**

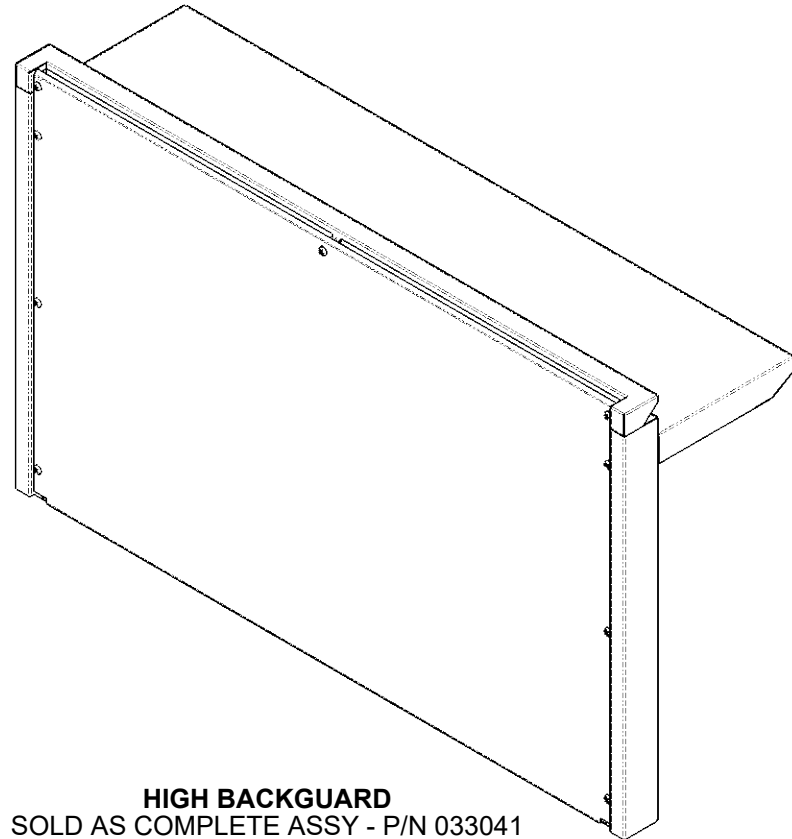
DRAWING NO

**A4.1**

REF 034196



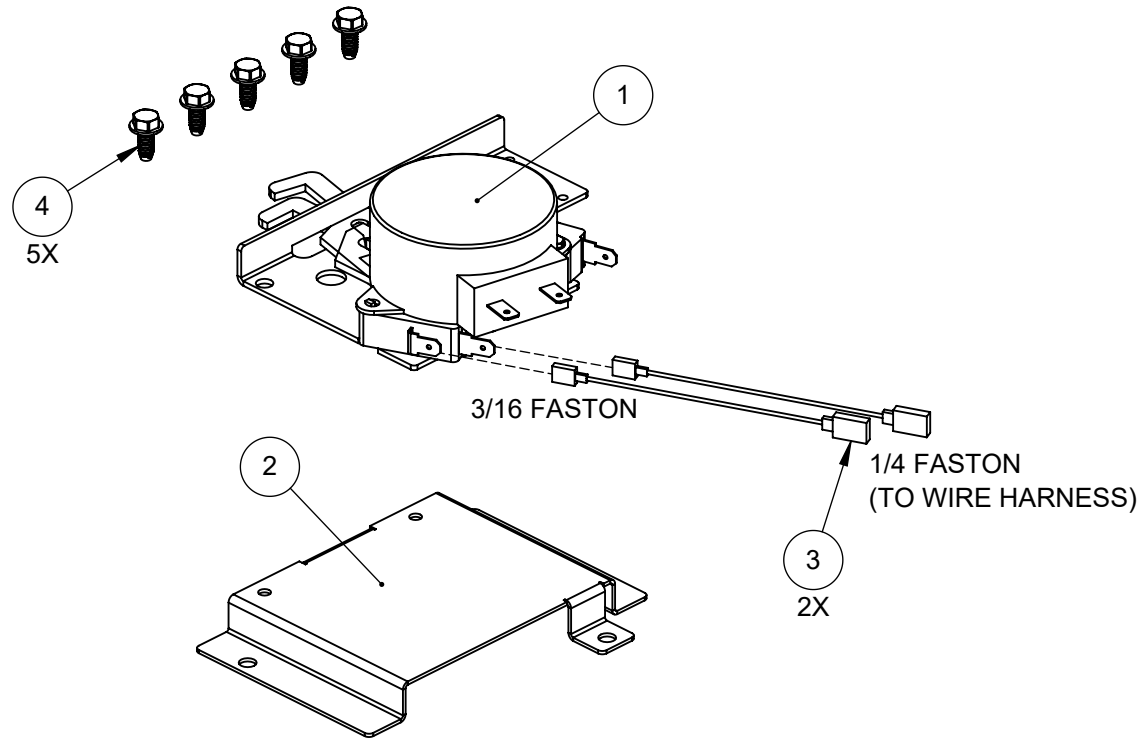
**LOW BACKGUARD**  
SOLD AS COMPLETE ASSY - P/N 033028  
(KBGLB36)



**HIGH BACKGUARD**  
SOLD AS COMPLETE ASSY - P/N 033041  
(KBGHS36)  
OR SHELF ONLY - P/N 020300



DESCRIPTION	<b>SERVICE, OTHER BACKGUARDS - 36"</b>
DRAWING NO	<b>A5</b>

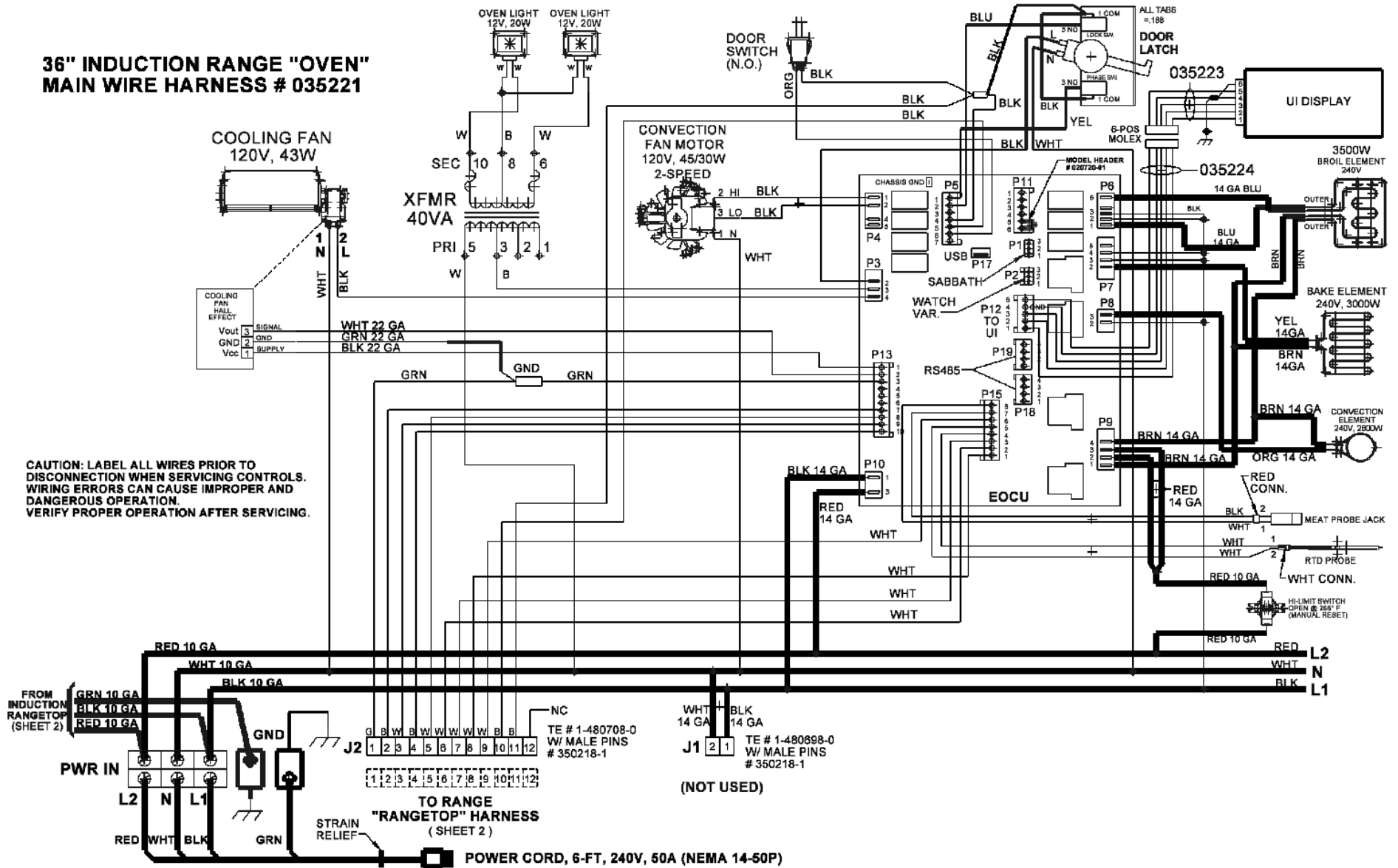


BOM			
ITEM NO.	PART NUMBER	DESCRIPTION	QTY.
1	044954	LATCH, DOOR, NEO	1
2	044956	BRACKET, NEO DOOR LATCH MOUNTING	1
3	037446	HARNESS, WIRE, ADAPTER, 1/4 TO 3/16 FASTON	2
4	028449	SMS, #8-32 X 3/8, HEXWSH, TYPE F, SS	5

 HESTAN

DESCRIPTION	<b>SERVICE, KIT, DOOR LATCH REPLACEMENT, INDOOR RANGE</b>
DRAWING NO	
<b>A6</b>	

**36" INDUCTION RANGE "OVEN"  
MAIN WIRE HARNESS # 035221**



**WIRING DIAGRAM, 36 INDUCTION RANGE  
034554**



PROPRIETARY  
NO PART OF THIS DOCUMENT MAY BE REPRODUCED,  
STORED IN A RETRIEVAL SYSTEM, OR TRANSMITTED IN  
ANY FORM, WITHOUT THE WRITTEN PERMISSION OF  
Hestan Commercial Corporation. THIS DOCUMENT OR ANY  
COPIES SHALL BE RETURNED UPON WRITTEN REQUEST.

DESCRIPTION

**SERVICE - RANGE, INDUCTION, 36"**

DRAWING NO

**KRI36-SERVICE**

REVISION

**D**

SHEET NO.

11 OF 13



Range Error Codes						
Ver 4 - updated 6/30/2020						
EOCU (Control Board) Errors	Display	Priority	Error	Detection	Action	How to Clear
	<b>ERROR 01</b>	A	Door Latch	Door lock is not at the unlocked position during a cook or a locked position during a clean.	If in clean cycle, cancel cycle and try to lock door. If door does not lock after 1 minute, then display error. If in a cooking cycle, try to cycle motor until it is in the unlocked state	Turn oven knobs off. Power down and correct door lock issue.
	<b>ERROR 02</b>	A	RTD	Open or Short.	Cancel any cook or clean cycle, EOCU will be inoperable.	Turn oven knobs off. Power down and replace or plug in RTD.
	<b>ERROR 03</b>	A	Cooling Fan Hall Effect	EOCU is not receiving a square wave in the allowable frequency range.	Cancel bake or clean operation immediately	Turn oven knobs off. Power down and correct cooling fan issue.
(Determined in UI. EOCU sends UI a 0 for meat probe temp.)	<b>ERROR 04</b>	B	Meat probe - Shorted	Meat probe input is shorted.	Cancel any cook by probe operation.	Correct short, re-enter timed or delay function.
	<b>ERROR 06</b>	A	Invalid Model Header	Model header is undefined.	This is read only at power up, EOCU will be inoperable.	Turn oven knobs off. Power down and insert correct model header. Possible Cause on 48" unit: 1. If both boards have no header, Main UI displays ERROR 06 and Companion UI displays ERROR 08. 2. If Main Oven has no header, Main UI displays ERROR 06 and
	<b>ERROR 07</b>	A	Door Switch	The door is open during CLEAN (either the door latch has failed, the door sensor has failed or the user has opened the door immediately after selecting CLEAN before the latch can engage).		Turn oven knobs off. Power down and correct door lock issue.
	<b>ERROR 08</b>	B	Communication Error	RS485 Serial Communication is lost or unable to establish connection between EOCU and any UI (if one is present).	The EOCU can still perform a cook if the UI is non-functioning and the user selected a cook cycle via the selector knobs. The EOCU will not however do a Clean cycle or Preheat since it doesn't know if the other unit is currently operating (for double ov	Turn oven knobs off. Power down and correct issue. Possible Cause: 1. P19 connection is disconnected. - Single-board system (30" & 36") - UI displays error. - Double-board system (48") - Both UIs display error. 2. P12 to UI connection using 024
	<b>ERROR 09</b>	A	Temperature Run-Away	Control detects temperature greater than or equal to 610 degrees F in a non-Self Clean cycle.	Go into error mode and shut down oven.	Turn oven knobs off. Power down and replace the EOCU.
UI (Touch Screen) Errors	Display	Priority	Error	Detection	Action	How to Clear
	<b>ERROR 20</b>	B	Shorted Key	UI detects one or more keys are shorted for longer than 1 minute.	Cancel any timed cycle or delay start.	Replace UI.
	<b>ERROR 08</b>	B	Communication Error	RS485 Serial Communication is lost or unable to establish connection to EOCU(s).	Cancel any timed cycle or delay start.	Replace UI or fix issue. Same as ERROR 08 above.
Error Priority	Description					
A	Critical Error, Cancel current cycle, Turn off all elements.					
B	Non-Critical, Cancel only the feature that is affected, allow oven to still operate.					

## WIRING DIAGRAM, 36 INDUCTION RANGE 034554



**PROPRIETARY**  
NO PART OF THIS DOCUMENT MAY BE REPRODUCED, STORED IN A RETRIEVAL SYSTEM, OR TRANSMITTED IN ANY FORM, WITHOUT THE WRITTEN PERMISSION OF Hestan Commercial Corporation. THIS DOCUMENT OR ANY COPIES SHALL BE RETURNED UPON WRITTEN REQUEST.

DESCRIPTION

**SERVICE - RANGE, INDUCTION, 36**

DRAWING NO

**KRI36-SERVICE**

REVISION

**D**

SHEET NO.

13 OF 13