

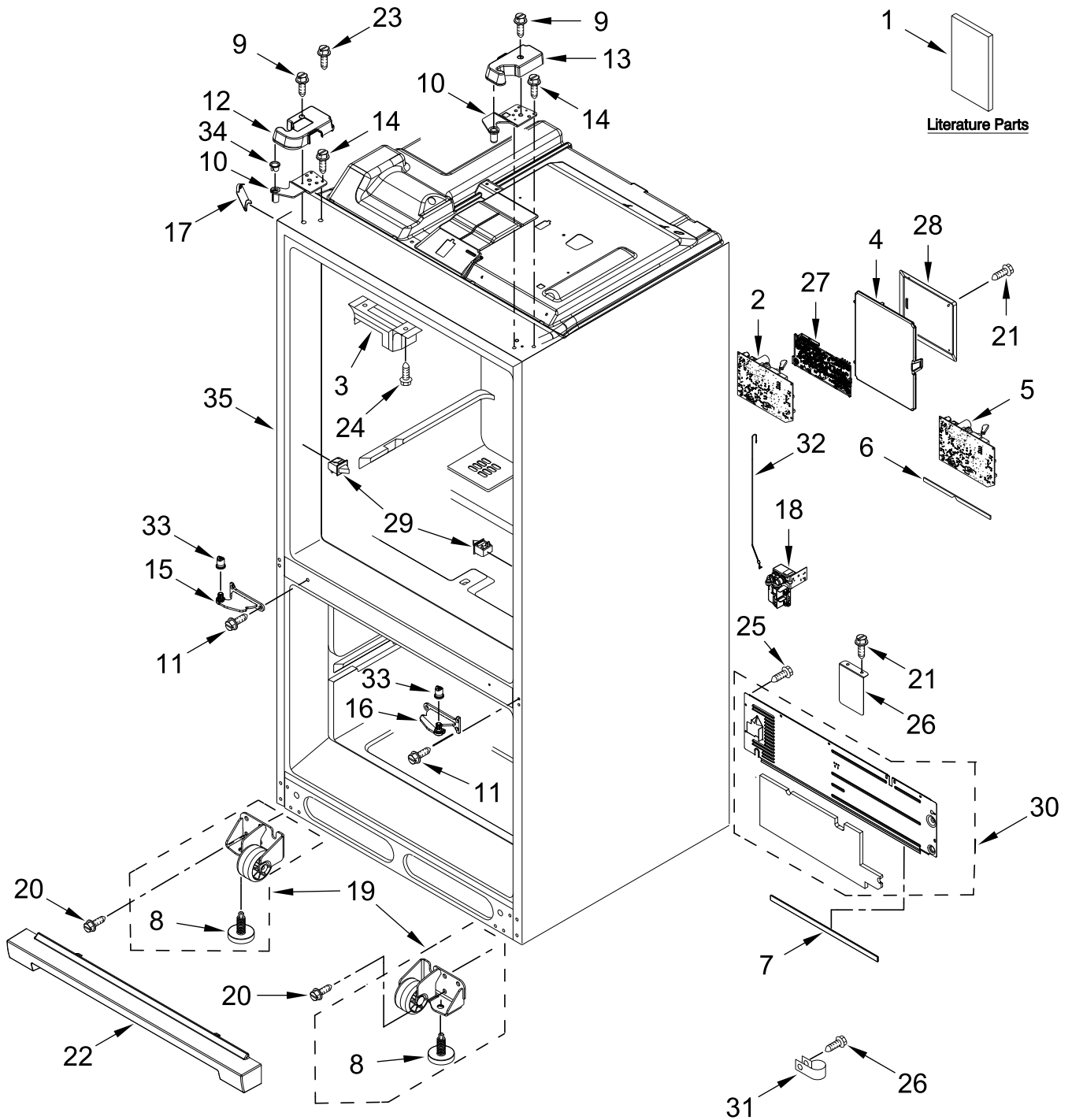
KitchenAid®

REFRIGERATOR

MODELS:

KRMF536RPS01 (Stainless Steel)

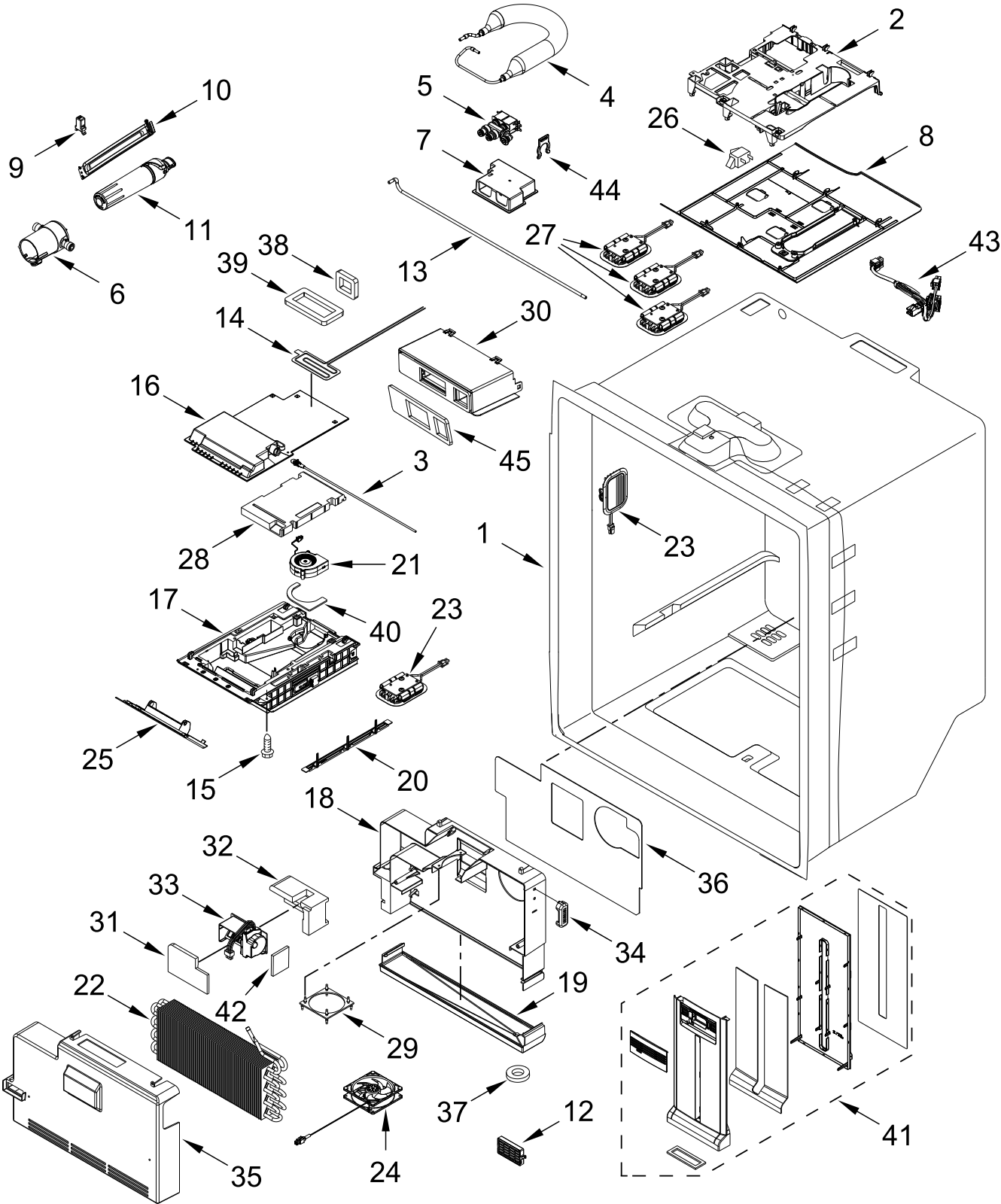
CABINET PARTS



CABINET PARTS

<u>Illus.</u> <u>No.</u>	<u>Part No.</u>	<u>Description</u>	<u>Illus.</u> <u>No.</u>	<u>Part No.</u>	<u>Description</u>	<u>Illus.</u> <u>No.</u>	<u>Part No.</u>	<u>Description</u>
1		Literature Parts	13		Cover, Top Hinge	24	12990302	Screw
	W11717560	Tech Sheet			Right Hand	25	W10141645	Screw
	W11502338	Owners Manual		W10407158	Grey	26	W11578005	Cover, Roller
	W11700351	Energy Guide	14	W10731474	Screw	27	W10790783	Supply, LED Power
2	W10665178	Supply, Power	15		Hinge, Center	28	W10754591	Cover, HV Control Box
3	W10734555	Block, Pivot			Left Hand	29	W10847850	Switch, Light
4	W10277839	Lid, HV		W10407280	Grey	30	W11364644	Assembly, Unit Cover
5	W11701692	Board, Control	16		Hinge, Center	31	M0108107	Clamp, Tube
6	W10415341	Gasket, HV Box			Right Hand	32	W11296599	Tube, Water
7	W11534848	Gasket		W10407276	Grey	33	W10505294	Coupler, Door
8	W10141622	Brake, Roller	17		Cover, Corner	34	W10212137	Retainer, Door
9	12992602	Screw		12587703AP	Grey	35		Cabinet (Not a Servicable Part)
10		Hinge, Top	18	W11460084	Valve, Water			
	W11456644	Left Hand	19		Assembly, Roller			
	W11456643	Right Hand		W10515763	Left Hand			
11	W10673840	Screw (Stainless)		W10515762	Right Hand			
12		Cover, Top Hinge	20	W10709365	Screw			
		Left Hand	21	12990702	Screw			
		(Includes Foil)	22		Grille, Toe			
	W10471618	Grey		W10637671	Grey			
			23	12992601	Screw			

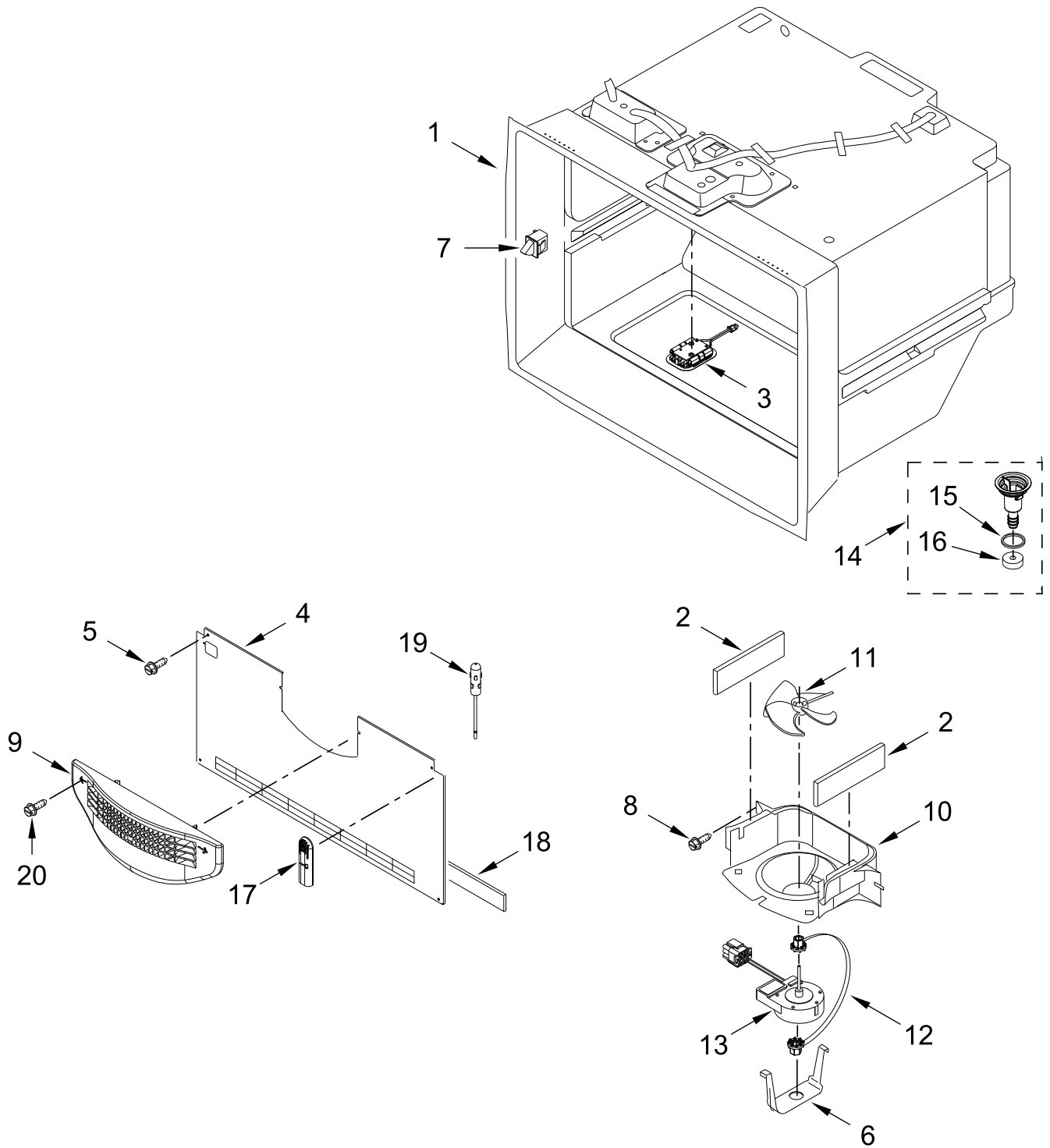
REFRIGERATOR LINER PARTS



REFRIGERATOR LINER PARTS

<u>Illus. No.</u>	<u>Part No.</u>	<u>Description</u>	<u>Illus. No.</u>	<u>Part No.</u>	<u>Description</u>	<u>Illus. No.</u>	<u>Part No.</u>	<u>Description</u>
1		Liner (Not A Serviceable Part)	20	W10785113	Trim, Icebox	32	W10503492	Support, Damper
2	W11281629	Housing, Water System	21	W10833801	Fan, Icebox	33	W10248595	Damper, Electronic Control
3	W11613057	Tube, Fill	22	W11395822	Assembly, RC Dual Evaporator	34	W10438957	Cover, Thermistor
4	W11296598	Reservoir, Water (Also Order Wire Tie Part 8567668)			(Also Order the Following Lokring™ Parts)	35	W10738349	Assembly, Evaporator Cover
5	W11255718	Valve, Dual Water		W11504450	4/1.8 NR MS 00 (Capillary Tube to Evaporator)	36	W10465948	Gasket, Evaporator Enclosure
6	W11293954	Housing, Water Filter		W11506619	8 NK MS 00 (Suction Line to Evaporator)	37	W10510863	Gasket, Drain Tube
7	W11391457	Enclosure, Water Valve	23	W11229041	Assembly, LED Module	38	W10320706	Gasket, Rear Return
8	W10754145	Cover, Waterbox	24	W10799016	Motor, Evaporator Fan (Includes Wire Harness)	39	W10280988	Gasket, Rear Supply
9	2223877	Latch, Push	25	W11504347	Assembly, Fascia (Includes Heater)	40	W10392172	Gasket, Fan
10	W10754143	Door, Filter Access	26	W10847853	Switch, Rocker	41	W10749499	Assembly, Air Tower
11	W10680605	Filter, Water	27	W11234022	Harness, LED Wire (Includes LED lights)	42	W10470981	Gasket, Damper
12	W10315189	Filter, Air	28	W10280983	Insulation	43	W11369503	Wire Assembly, Jumper
13	W11658811	Waterline, Valve to Hinge	29	W10389152	Support, Fan	44	W11175631	Locking Ring (5/16)
14	W10706850	Heater, Fill Tube	30	W10749701	Assembly, Icebox Adapter	45	W11672619	Gasket, Adapter
15	12990518	Screw	31	W10503491	Retainer, Damper			FOLLOWING PARTS NOT ILLUSTRATED
16	W10598013	Cover, Icebox				W11306925		Harness, Dual Valve
17	W11547437	Assembly, Icebox (Foamed)				W11298842		Wire Assembly, Ice Box
18	W10503486	Enclosure, Evaporator						
19	W10525237	Pan, Drain						

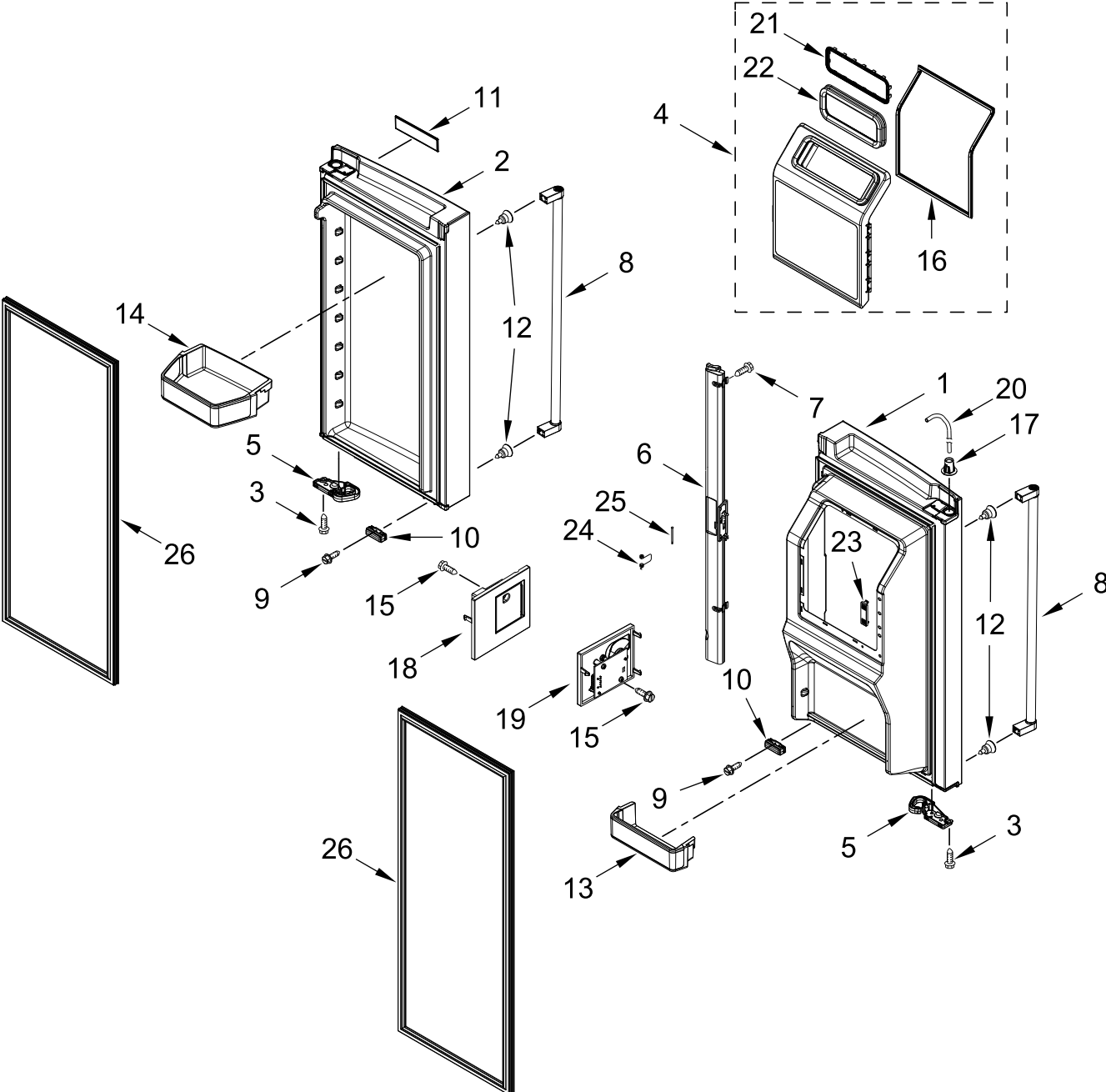
FREEZER LINER PARTS



FREEZER LINER PARTS

<u>Illus. No.</u>	<u>Part No.</u>	<u>Description</u>	<u>Illus. No.</u>	<u>Part No.</u>	<u>Description</u>	<u>Illus. No.</u>	<u>Part No.</u>	<u>Description</u>
1		Liner (Not A Serviceable Part)	8	12990504	Screw	14	W10503218	Assembly, Drain Funnel
2	A3189392	Gasket, Foam	9	W10496613	Grille, Air (Freezer)	15	M0500703	Seal
3	W11228040	Assembly, LED Light Module	10	W10363507	Shroud, Evaporator Fan	16	B8381501	Gasket, Drain
4	W11408170	Cover, Evaporator (Freezer)	11	12986101	Blade, Fan	17	W10405166	Cover, Thermistor
5	12990511	Screw	12	12951101	Grommet, Fan Motor	18	W10531268	Gasket, Dual Evaporator
6	12956601	Clip, Fan Motor	13	W11321600	Motor, Evaporator (Includes Harness, Thermistor, and Defrost Thermostat)	19	W10280385	Thermistor
7	W10847855	Switch, Light				20	8281136	Screw

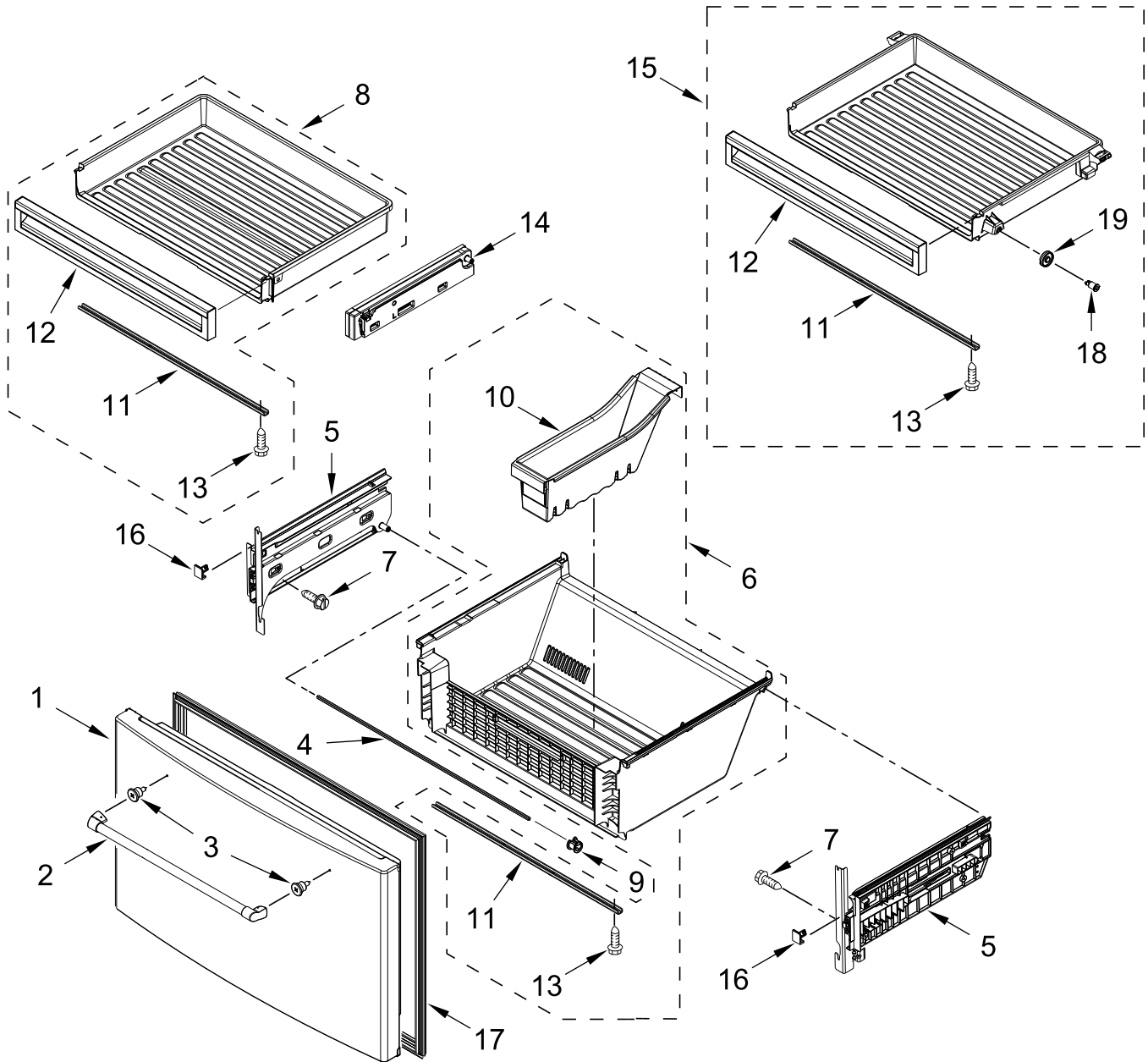
REFRIGERATOR DOOR PARTS



REFRIGERATOR DOOR PARTS

<u>Illus. No.</u>	<u>Part No.</u>	<u>Description</u>	<u>Illus. No.</u>	<u>Part No.</u>	<u>Description</u>	<u>Illus. No.</u>	<u>Part No.</u>	<u>Description</u>
1		Door, Refrigerator	6		Mullion, Door	16	W10567561	Gasket, Ice Door
		Left Hand		W11696581	Grey	17	W11315303	Clip, Tube
		(Includes Door Gasket)	7	12990204	Screw	18	W11554029	Board and Cover Assembly, Emitter
	W11699378	Stainless	8		Handle, Door			
2		Door, Refrigerator		W11339538	Stainless	19	W11554031	Board and Cover Assembly, Receiver
		Right Hand	9	12990504	Screw			
	W11699363	Stainless	10		Bumper, Door	20	W10499015	Tube, Water
3	W10238319	Screw		W10407188	Grey	21	W10562839	Retainer, Ice Chute
4	W11261138	Door, Ice	11		Nameplate	22	W11261135	Gasket, Ice Chute
5		Latch, Door		W10765861	Grey	23	W10646867	Vent, Thermistor
	W10712952	Left Hand	12	W11328753	Screw	24	2198635	Spring, Door
	W10712953	Right Hand	13	W11373152	Trivet, 2 Liter	25	W10331749	Pin, Door
			14	W11373151	Bucket, Gallon	26		Gasket, Door
			15	12993001	Screw		W10873941	Grey

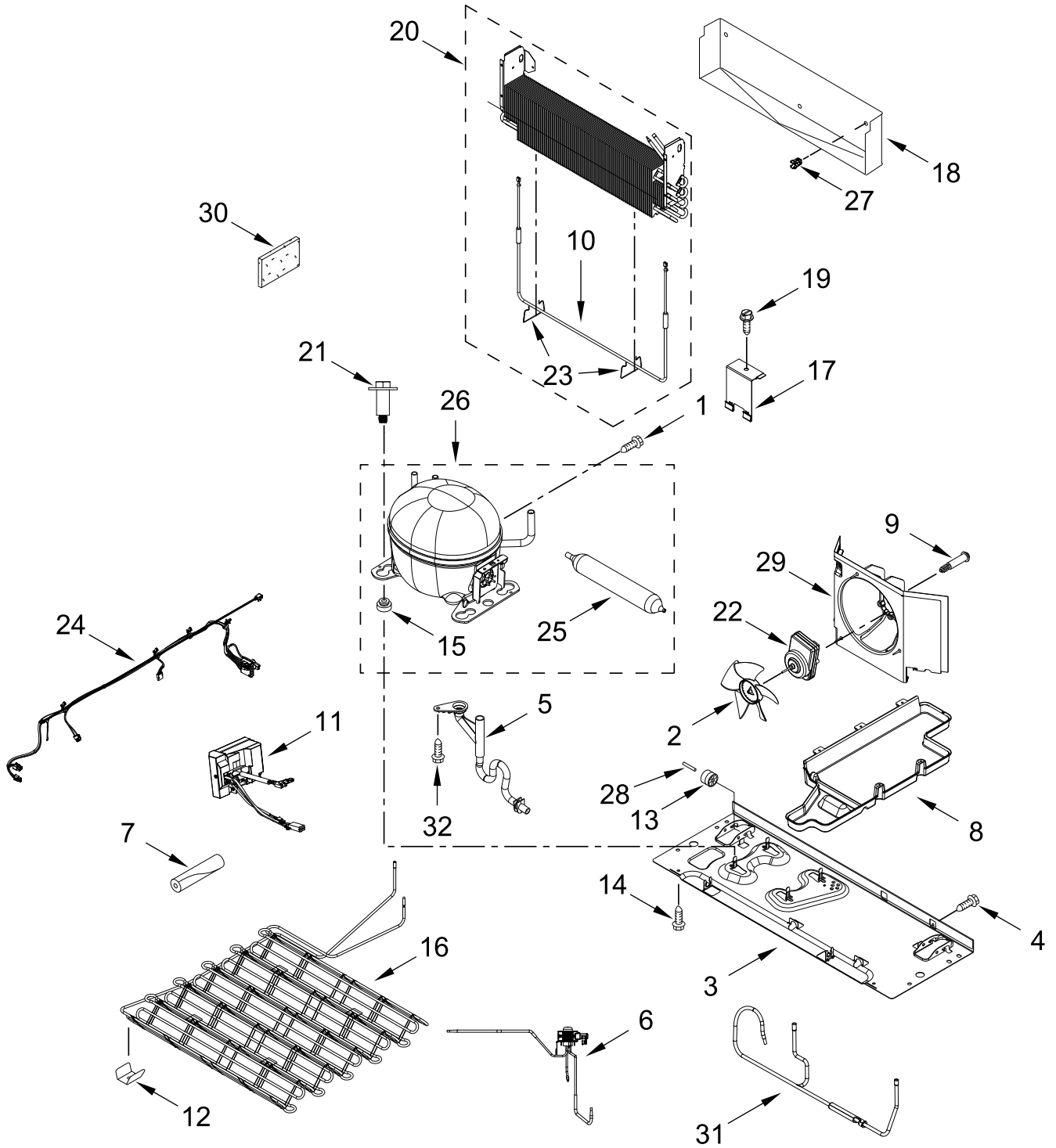
FREEZER DOOR PARTS



FREEZER DOOR PARTS

<u>Illus.</u> <u>No.</u>	<u>Part No.</u>	<u>Description</u>	<u>Illus.</u> <u>No.</u>	<u>Part No.</u>	<u>Description</u>	<u>Illus.</u> <u>No.</u>	<u>Part No.</u>	<u>Description</u>
1		Door, Freezer (Includes Door Gasket)	7	12990518	Screw	15	W11238188	Assembly, Center Pan (Freezer)
	W11381840	Stainless Steel	8	W11238210	Assembly, Upper Pan (Freezer)	16		Stop, Pan
2		Handle, Door	9	W10709748	Clip, Shaft		W10585151	Left Hand
	W11222205	Stainless	10	W10562492	Divider, Lower		W10585150	Right Hand
3	W11328753	Screw	11	W10469177	Support, Pan	17		Gasket, Door
4	W10503522	Shaft	12	W10564680	Assembly, Pan Front		W10248749	Grey
5		Assembly, Bracket	13	489443	Screw (Stainless)	18	W10643690	Axle, Roller
	W10795771	Left Hand	14		Adapter, Upper Pan	19	W10248555	Roller, Pan
	W10795769	Right Hand		W10619221	Left Hand			
6	W10634640	Assembly, Lower Pan (Freezer)		W10619220	Right Hand			

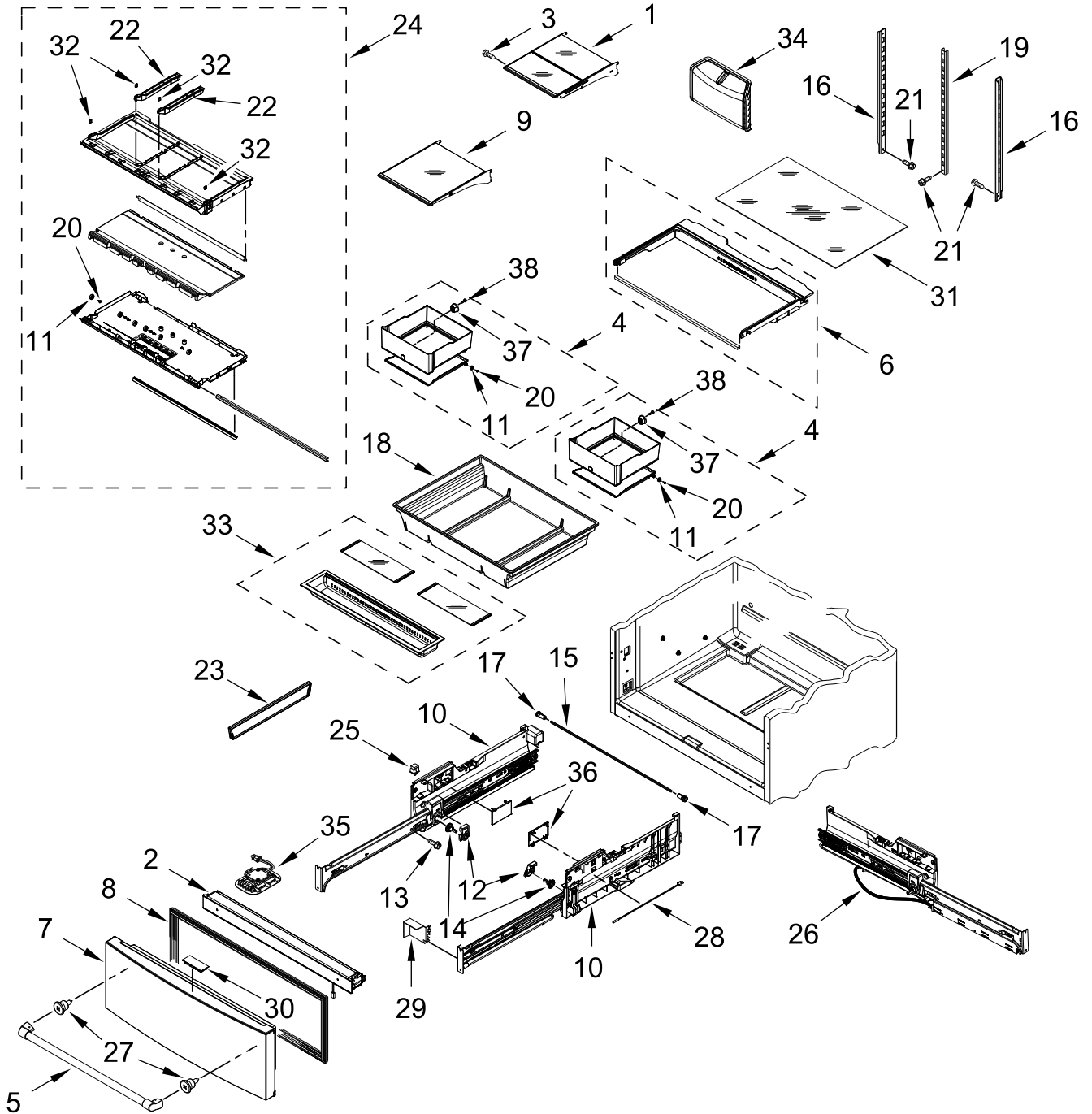
UNIT PARTS



UNIT PARTS

<u>Illus.</u> <u>No.</u>	<u>Part No.</u>	<u>Description</u>	<u>Illus.</u> <u>No.</u>	<u>Part No.</u>	<u>Description</u>	<u>Illus.</u> <u>No.</u>	<u>Part No.</u>	<u>Description</u>
1	W10141625	Screw	16	W11728996	Condenser (Also Order the Following Lokring™ Parts)	25	W10805035	Drier (Service Drier Without Dye) (Also Order the Following Lokring™ Parts)
2	2188935	Blade, Fan		W11504445	5/4 NR MS 00 (Heat Loop to Condenser)		W11504445	5/4 NR MS 00 (Heat Loop to Drier)
3	W11411853	Baseplate, Compressor		W11504431	7/5 NR MS 00 (Suction Line to Condenser)		W11506623	5 NK MS 00 (3-Way Valve to Drier)
4	12990511	Screw	17	W10391376	Bracket, Valve	26	W11602247	Compressor (Also Order the Following Lokring™ Parts)
5	W11541633	Extension, Drain	18	W11408656	Tray, Drip		W11504431	7/5 NR MS 00 (Suction Tube to Compressor)
6	W11596064	Assembly, 3 Way Valve (Also Order the Following Lokring™ Parts)	19	W10141645	Screw		W11504415	8.5/8 NR MS 00 (High Pressure Side to Compressor)
	W11506625	3 NK MS 00 (3-Way Valve to RC Capillary Tube - Cut/Splice near old Valve body)	20	W11394387	Assembly, Evaporator and Heater (Also Order the Following Lokring™ Parts)		W11506621	6 NK MS 00 (Charging Tube to Compressor)
	W11506625	3 NK MS 00 (3-Way Valve to FC Capillary Tube - Cut/Splice near old Valve body)		W11506620	8 NK AL 00 (Capillary Tube to Evaporator - Cut/Splice on Aluminum portion of old Evaporator)		W11506635	Tube, Charging (1/4 in w/ Schrader Valve)
	W11504445	5/4 NR MS 00 (3-Way Valve to Drier)		W11506620	8 NK AL 00 (Suction Line to Evaporator)	27	10623002	Clip, Evaporator
7	W10303521	Sleeve	21	W11417341	Screw	28	12477202	Axle, Roller
8	W10660727	Tray, Evaporator	22	W11505535	Motor, Condenser Fan	29	W10406719	Shroud
9	W10622701	Screw	23	W11380964	Clip, Heater	30	2169104	Insulation, Sound Deadening
10	W11553968	Heater, Defrost	24	W11306946	Harness, Unit (Includes Power Cord)	31	W11616171	Assembly, Suction Tube
11	W11602266	Assembly, Inverter Box				32	W10141518	Screw REFRIGERANT CHARGE 53 grams (R600a)
12	W10248621	Clip, Condenser						
13	12477102	Roller						
14	12992101	Screw						
15	10835903	Grommet						

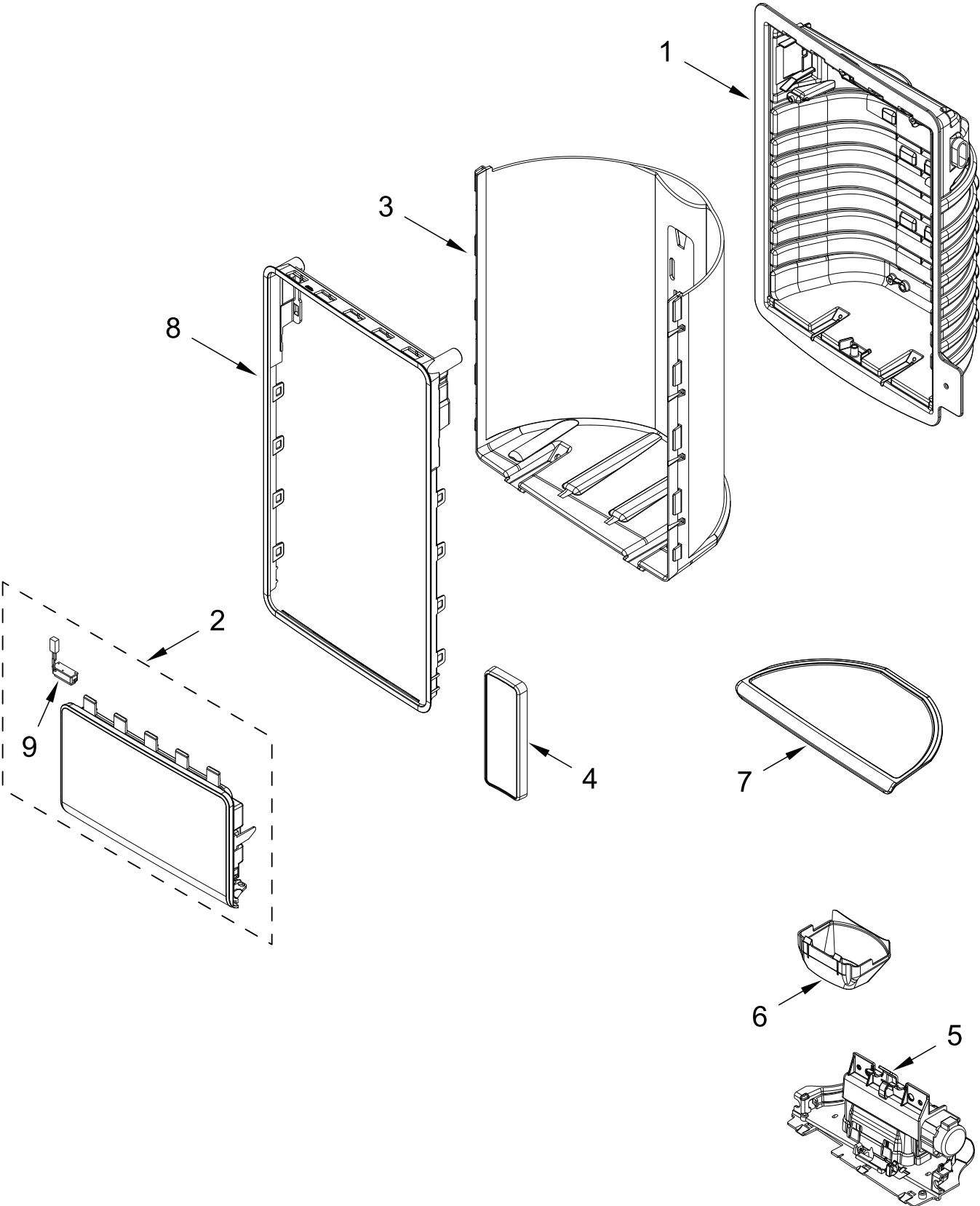
SHELF PARTS



SHELF PARTS

<u>Illus. No.</u>	<u>Part No.</u>	<u>Description</u>	<u>Illus. No.</u>	<u>Part No.</u>	<u>Description</u>	<u>Illus. No.</u>	<u>Part No.</u>	<u>Description</u>
1	W10737428	Assembly, Tuck Shelf	11	W10788795	Roller	28	W10549991	Thermistor
2	W11696539	Assembly, Secondary Mullion	12		Cover, Gear	29	W11695471	Cover, Connector
3	W10325002	Screw		W11698180	Left Hand	30		Assembly, User Interface
4	W11703349	Assembly, Crisper		W11698181	Right Hand		W11697799	Stainless
5		Handle, Door	13	12991702	Screw	31	W10893770	Glass, Crisper
	W11222205	Stainless	14	W10277360	Gear, Spur	32	12702901	Pad, Glide
6	W11696529	Assembly, Crisper Cover (Includes Front Support)	15	W11706355	Shaft, Rack	33	W10780178	Bin, Secondary Mullion
7		Door, Pantry (Includes Door Gasket)	16	W10467460	Ladder, Side	34	W10826105	Assembly, Produce Preserver
	W11699368	Stainless	17	W10447530	Collar, Gear	35	W11228040	Assembly, LED Light Module
8	W10518365	Grey Gasket, Pantry	18	W10530656	Pan, Pantry	36	W10731491	Cover, Side Adapter
9	W10756314	Assembly, Shelf	19	W10467461	Ladder, Center	37	W11694798	Spacer, Crisper Handle
10		Adapter, Pantry	20	12991401	Screw	38	W10001160	Screw (Stainless)
	W11695482	Left Hand	21	W10423561	Screw			
	W11695479	Right Hand	22	W10638123	Guide, Crisper			
			23	W10772797	Divider, Large Pantry			
			24	W11696535	Assembly, Floor (Includes Heater)			
			25	W10847853	Switch, Rocker			
			26	W10512203	Harness, Side Adapter			
			27	W11328753	Screw			

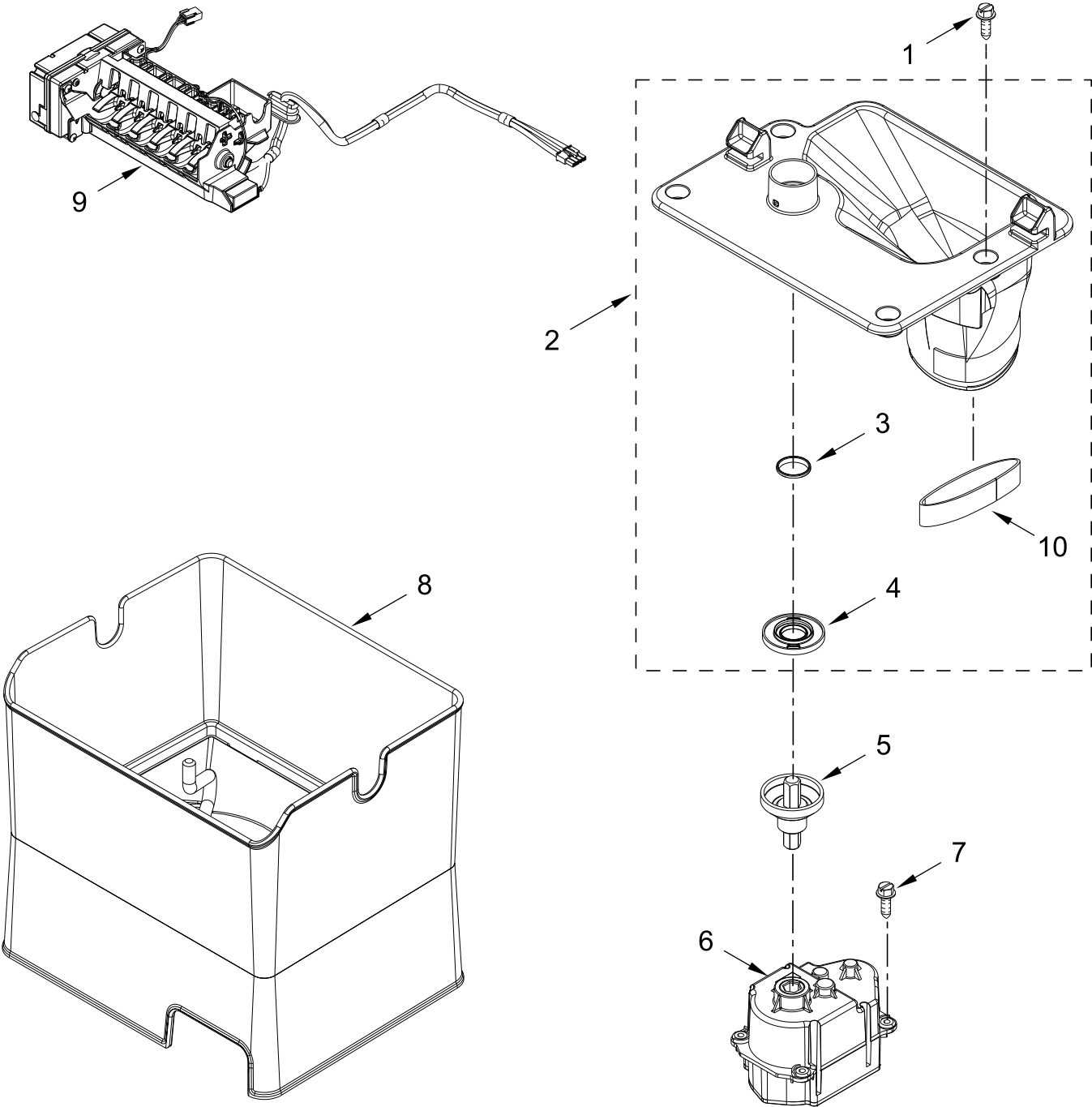
DISPENSER FRONT PARTS



DISPENSER FRONT PARTS

<u>Illus.</u> <u>No.</u>	<u>Part No.</u>	<u>Description</u>	<u>Illus.</u> <u>No.</u>	<u>Part No.</u>	<u>Description</u>	<u>Illus.</u> <u>No.</u>	<u>Part No.</u>	<u>Description</u>
1		Housing, Dispenser (Not Serviced)	4		Assembly, Pad	8		Ring, Trim
				W10473007	Grey		W10402180	Chrome
2		Assembly, User Interface	5	W10577864	Assembly, Seperator	9	W10470750	Assembly, LED
	W11710960	Black	6	W10435760	Guide, Ice			
3		Wall, Dispenser False	7		Tray, Drip			
	W10819058	Grey		W10819059	Grey			

ICEMAKER AND ICE CONTAINER PARTS



ICEMAKER AND ICE CONTAINER PARTS

<u>Illus.</u> <u>No.</u>	<u>Part No.</u>	<u>Description</u>
1	W10272364	Screw
2	W11705888	Plate, Ice Chute
3	2198628	Seal
4	W10347120	Clip, Retainer
5	W11363576	Shaft, Motor

<u>Illus.</u> <u>No.</u>	<u>Part No.</u>	<u>Description</u>
6	W11185741	Motor, Dispenser
7	8281163	Screw (Stainless)
8	W10564750	Assembly, Ice Container

<u>Illus.</u> <u>No.</u>	<u>Part No.</u>	<u>Description</u>
9	W11554919	Assembly, Icemaker
10	W10291905	Gasket

OPTIONAL PARTS

<u>Illus.</u> <u>No.</u>	<u>Part No.</u>	<u>Description</u>
		TOUCH-UP PAINT
W10134625		Apollo Grey
		MISCELLANEOUS
212643		Sealer, Gum (4 Feet)
876370		Insulation (2 Pieces, 3" x 24" x 48")
876305		Insulation Kit (14 Pieces, 3" x 24" x 48")
978941		Insulation, Fiberglass (63 1/2" x 35 1/2" x 2 5/8")
505587		Sealer, Mastic (1 Qt)
503695		Cork, Sealer
542638		Grease, Silicone (1/2 Oz.)
833938		Kit, Terminal Connector
8003RP		Kit, Water Inlet