

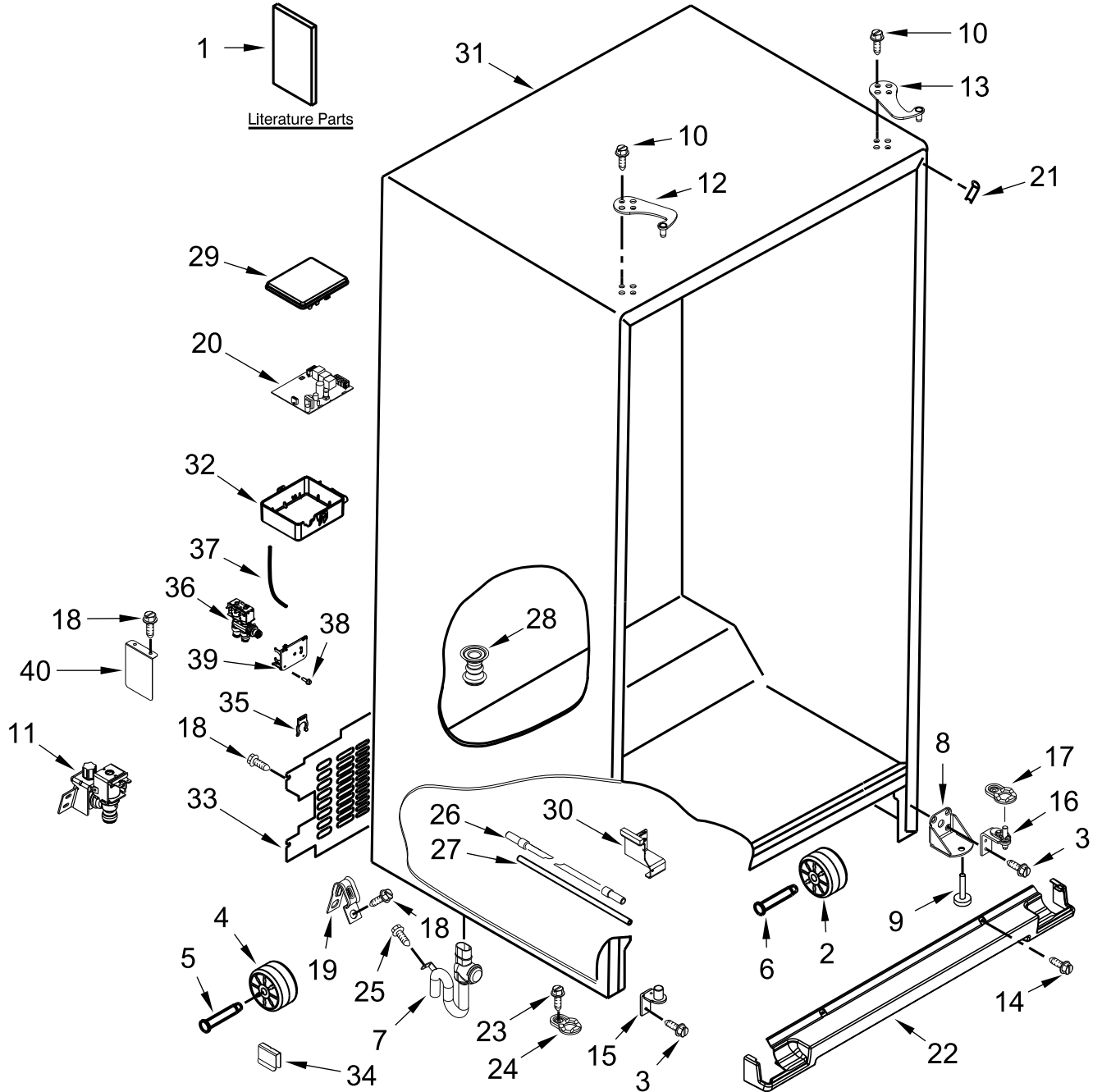
**KitchenAid®**

**REFRIGERATOR**

**MODELS:**

KRSC700HPS06 (Stainless)

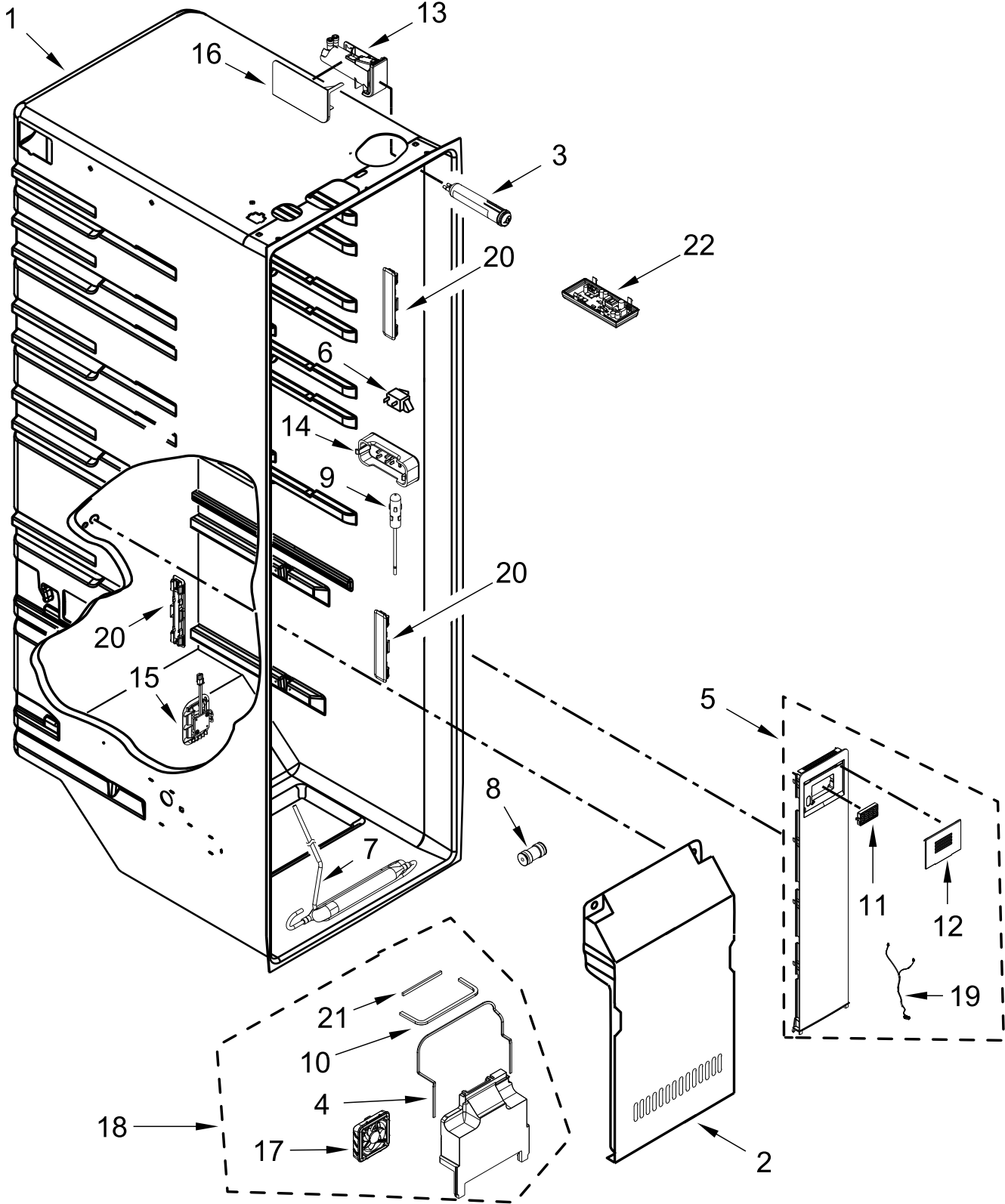
# CABINET PARTS



# CABINET PARTS

<u>Illus. No.</u>	<u>Part No.</u>	<u>Description</u>	<u>Illus. No.</u>	<u>Part No.</u>	<u>Description</u>	<u>Illus. No.</u>	<u>Part No.</u>	<u>Description</u>
1		Literature Parts	16		Hinge, Bottom (Refrigerator - Also includes Door Cam)	30	W10499011	Assembly, Bracket
	W11484052	Use & Care Guide				31		Cabinet (Not A Serviceable Part)
	W11575235	Tech Sheet		W11084346	Gray	32	W10247993	Box, Control
	W11647263	Energy Guide	17		Closer, Door (Refrigerator)	33	W11453073	Cover, Unit
2	2150304	Roller		W10877804	Gray	34	2223388	Clip, Axle Retainer
3	W10297485	Screw	18	W10141645	Screw	35	W11175631	Locking Ring (5/16)
4	12477102	Roller	19	W11234470	Clamp, Plastic		W11175632	Locking Ring (1/4)
5	12477202	Axle, Roller	20	W11440350	Electronic Control	36	W10341320	Assembly, Dual Water Valve
6	981125	Rivet, Roller	21		Filler, Wrapper			
7	W11293073	Tube, Drain		12587703AP	Gray	37	W10691732	Tube, Water
8	W10900758	Bracket, Foot	22		Grille	38	W10141625	Screw
9	W10141622	Brake, Roller		W10713153	Gray	39	W10237915	Bracket, Water Valve
10	W10290781	Screw, Hinge	23	W10142234	Screw	40	W10336736	Cover, Roller
11	W11451511	Valve, Inlet	24		Closer, Door (Freezer)			
12		Hinge, Top (Freezer)		W10770893	Gray			
	W10901054	Gray	25	W10001250	Screw			
13		Hinge, Top (Refrigerator)	26	W10279882	Tube, Filter Inlet			
	W10901049	Gray	27	W10279885	Tube, Filter Outlet			
14	W10308489	Screw (Grey)	28	W10247979	Fitting, Drain			
15		Hinge, Bottom (Freezer)	29	12957702	Lid, HV Box			
	W11126848	Gray						

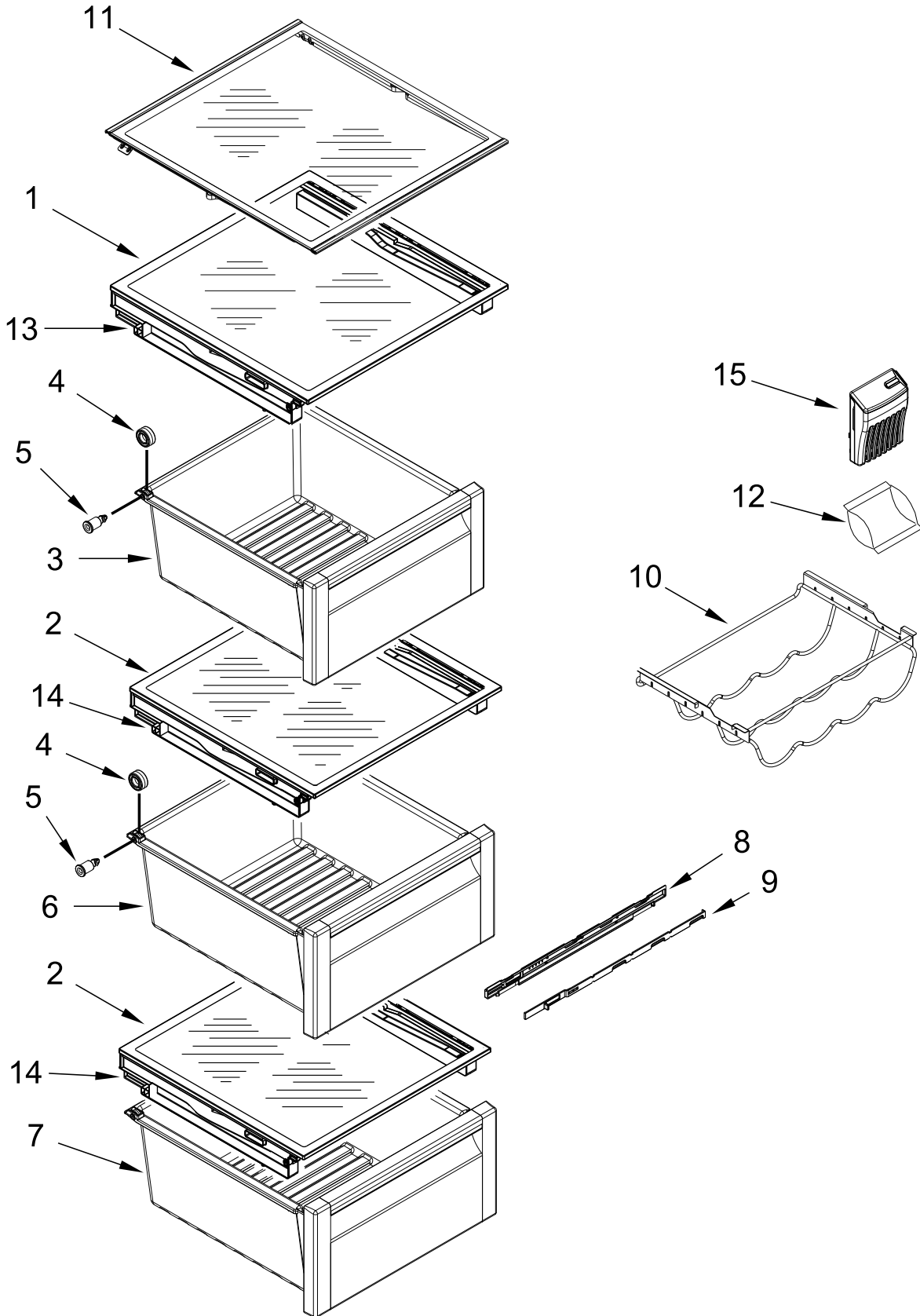
# REFRIGERATOR LINER PARTS



# REFRIGERATOR LINER PARTS

<u>Illus. No.</u>	<u>Part No.</u>	<u>Description</u>	<u>Illus. No.</u>	<u>Part No.</u>	<u>Description</u>	<u>Illus. No.</u>	<u>Part No.</u>	<u>Description</u>
1		Liner (Not A Serviceable Part)	10	W10387387	Gasket, Upper	17	W10862076	Fan Assembly, Evaporator
2	W10387382	Cover, Evaporator	11	W10315189	Filter, Air	18	W11512827	Evaporator Insulation, With Fan Assembly
3	W10735398	Filter, Water	12	W10341548	Cover, Air Filter	19	W10777986	Wire Assembly , Tower
4	W10260462	Gasket, Rear	13	W10394053	Housing, Water Filter	20	W10826780	Lighting, LED-Strip
5	W11565238	Tower, Air	14	W10425252	Cover, Thermistor	21	W10394945	Gasket, Rear
6	W10847853	Switch, Rocker	15	W11234011	Assembly, LED Light Module	22	W10724473	Assembly, LED
7	W10538994	Reservoir	16	W11389740	Cover, Water Filter			
8	W10271541	Connector, Union						
9	W10280385	Thermistor						

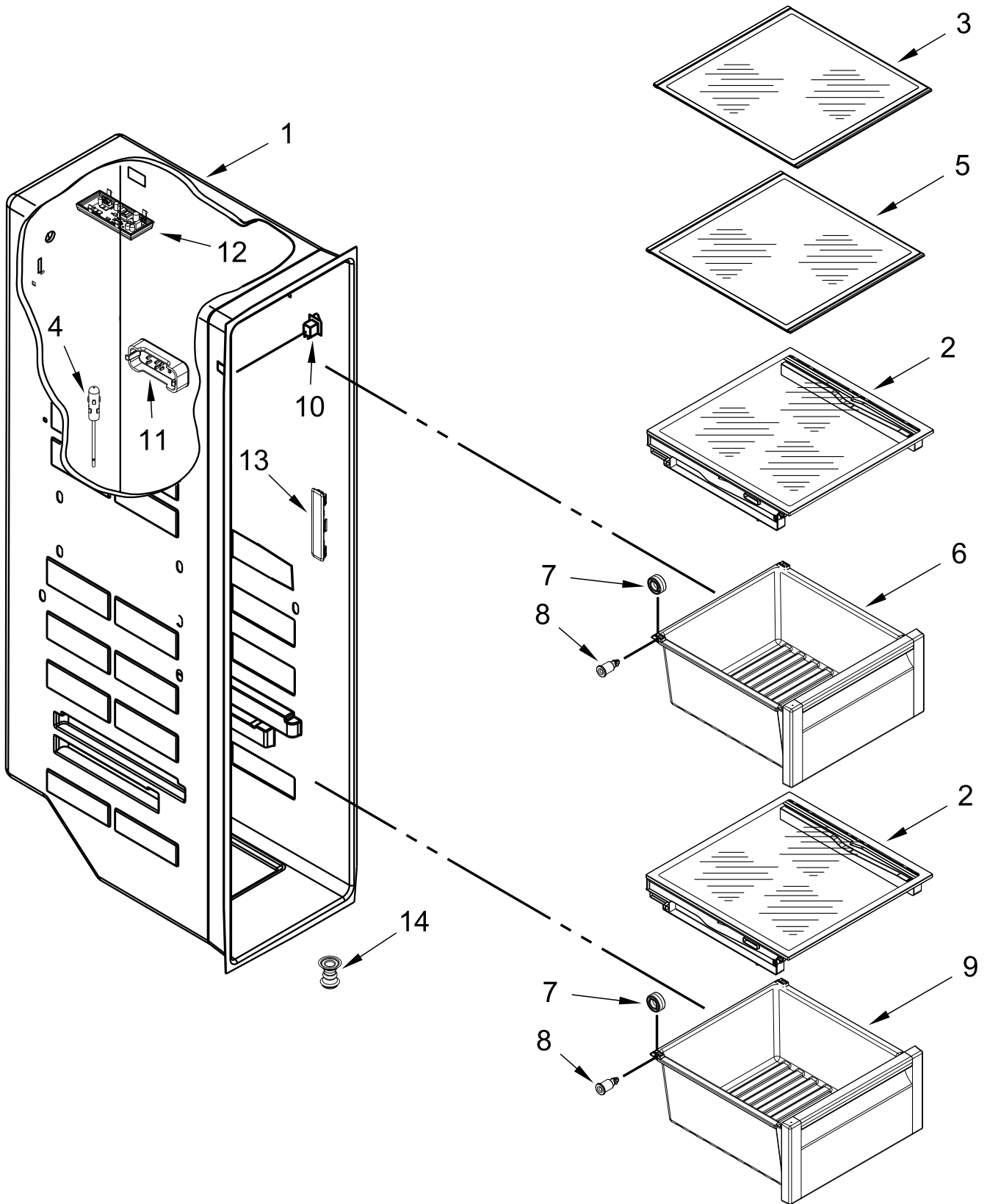
# REFRIGERATOR SHELF PARTS



# REFRIGERATOR SHELF PARTS

<u>Illus.</u> <u>No.</u>	<u>Part No.</u>	<u>Description</u>	<u>Illus.</u> <u>No.</u>	<u>Part No.</u>	<u>Description</u>	<u>Illus.</u> <u>No.</u>	<u>Part No.</u>	<u>Description</u>
1	W10440265	Assembly, Snack Pan Cover	9	W10257334	Slide, Humidity	14		Rail, Track
2	W10440266	Cover, Assembly	10	W10395554	Wine Rack		W10805083	Left Side
3	W10542037	Pan, Snack	11	W11180785	Assembly, Shelf		W10805082	Right Side
4	W10628713	Roller, Pan	12	W10346771	Filter, Produce Preserver	15	W10408747	Holder, Filter
5	W10628712	Axle, Roller	13		Rail, Track			
6	W10531081	Pan, Crisper		W11427425	Left Side			
7	W10531082	Pan, Meat		W11427426	Right Side			
8	W10316452	Housing, Humidity						

# FREEZER LINER PARTS

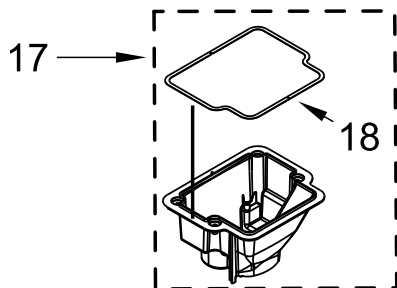
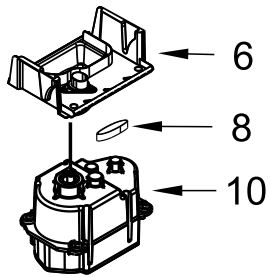
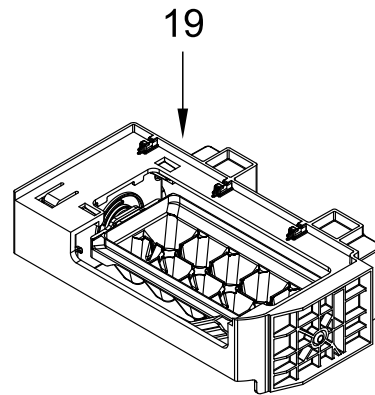
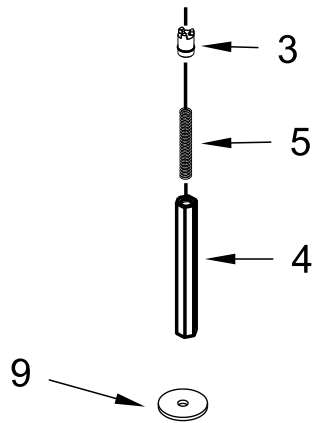
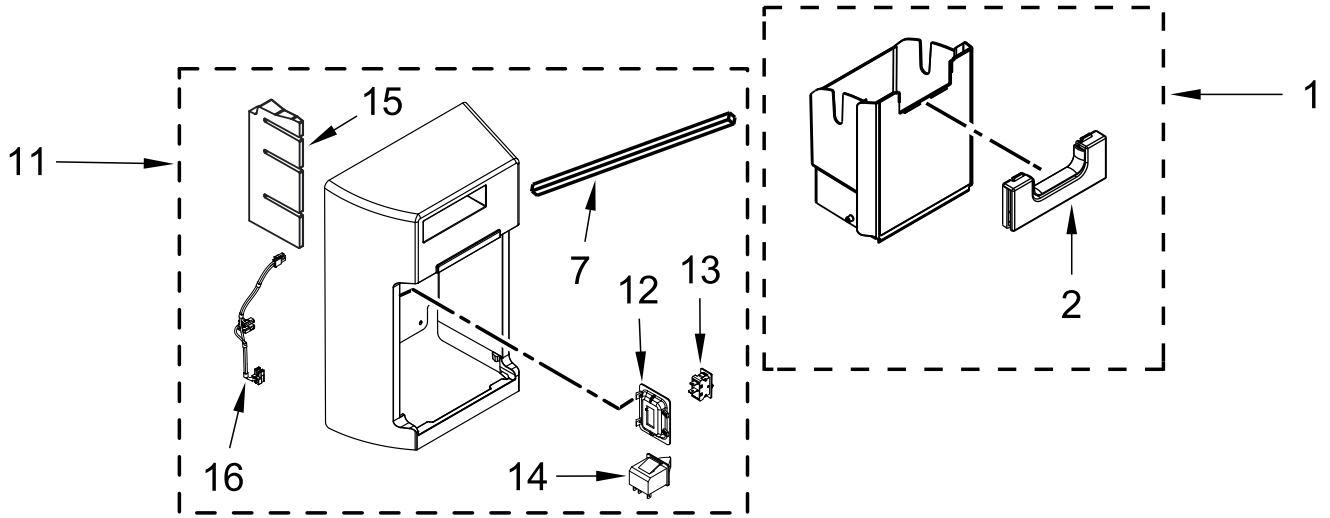




# FREEZER LINER PARTS

<u>Illus.</u> <u>No.</u>	<u>Part No.</u>	<u>Description</u>	<u>Illus.</u> <u>No.</u>	<u>Part No.</u>	<u>Description</u>	<u>Illus.</u> <u>No.</u>	<u>Part No.</u>	<u>Description</u>
1		Liner (Not A Serviceable Part)	5	W11180790	Shelf Assembly, Lower	10	W10847849	Switch, Light
2	W10644644	Cover Assembly	6	W10725170	Freezer Pan, Middle	11	W10425252	Cover, Thermistor
3	W11180789	Shelf Assembly, Upper	7	W10628713	Roller, Pan	12	W10724473	Assembly, LED
4	W10438761	Thermistor	8	W10628712	Axle, Roller	13	W10826780	Lighting, LED-Strip
			9	W10726001	Freezer Pan, Lower	14	W10370680	Fitting, Drain

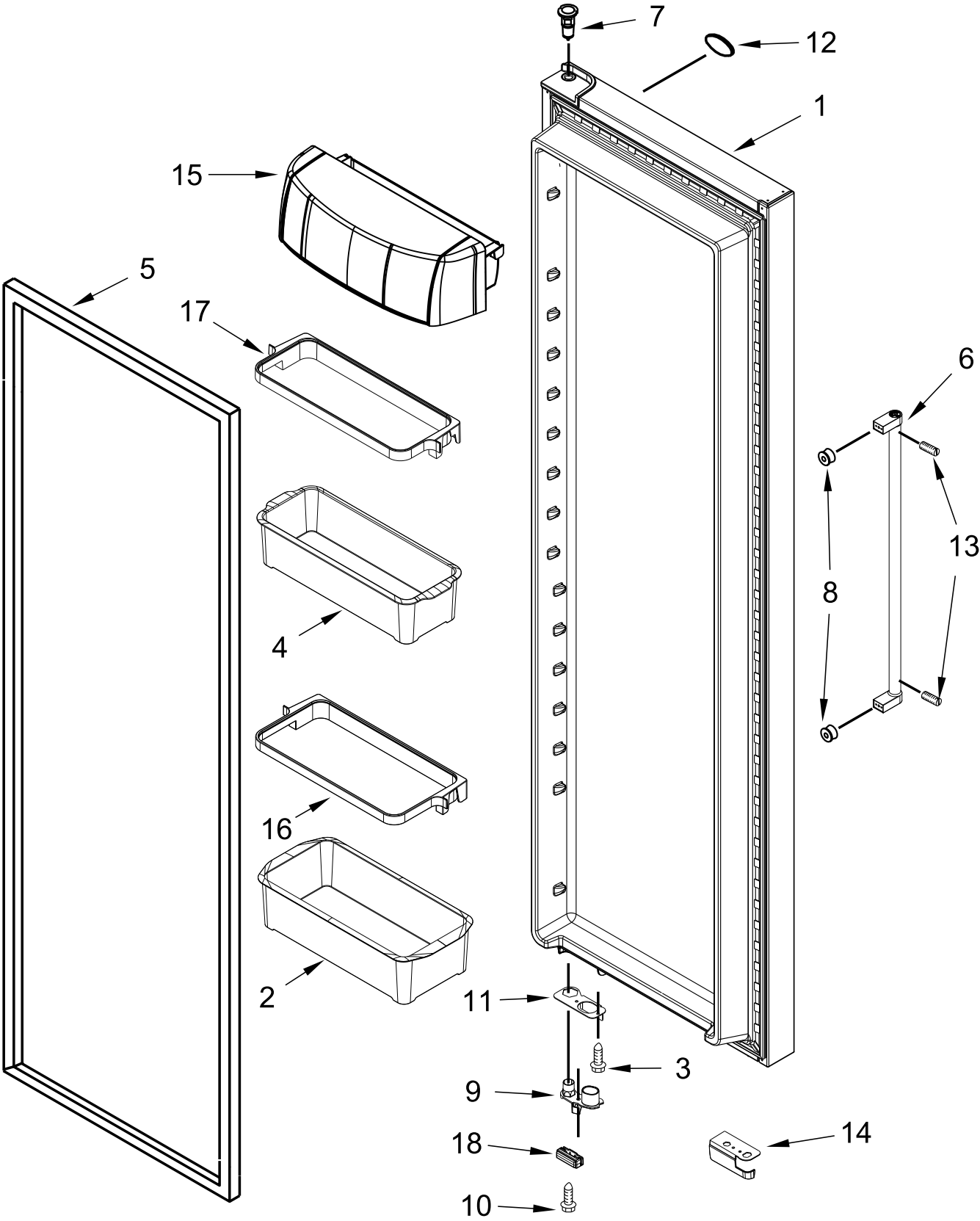
# ICEMAKER AND ICE CONTAINER PARTS



# ICEMAKER AND ICE CONTAINER PARTS

<u>Illus.</u> <u>No.</u>	<u>Part No.</u>	<u>Description</u>	<u>Illus.</u> <u>No.</u>	<u>Part No.</u>	<u>Description</u>	<u>Illus.</u> <u>No.</u>	<u>Part No.</u>	<u>Description</u>
1	W11251049	Container, Ice (Complete)	8	W10291905	Gasket	16	W10646076	Assembly, Wire Jumper Switch
2	W10693542	Assembly, Latch	9	2305382	Boot, Rubber	17	W10765378	Assembly, Motor Box
3	2220458	Coupling, Bottom	10	W11117906	Motor, Dispenser	18	W10166854	Gasket
4	W10258544	Shaft, Drive	11	W11466849	Cover, Container	19	W11130444	Assembly, Ice Maker
5	W10754509	Spring, Coupling	12	W11341247	Plate, Switch			
6	W11240062	Assembly, Mounting Plate	13	W11311953	Switch, Energy Saver			
7	W10400435	Gasket, Foam	14	W11032814	Switch, Rocker Arm			
			15	W10749467	Filler, EPS Icemaker Cover			

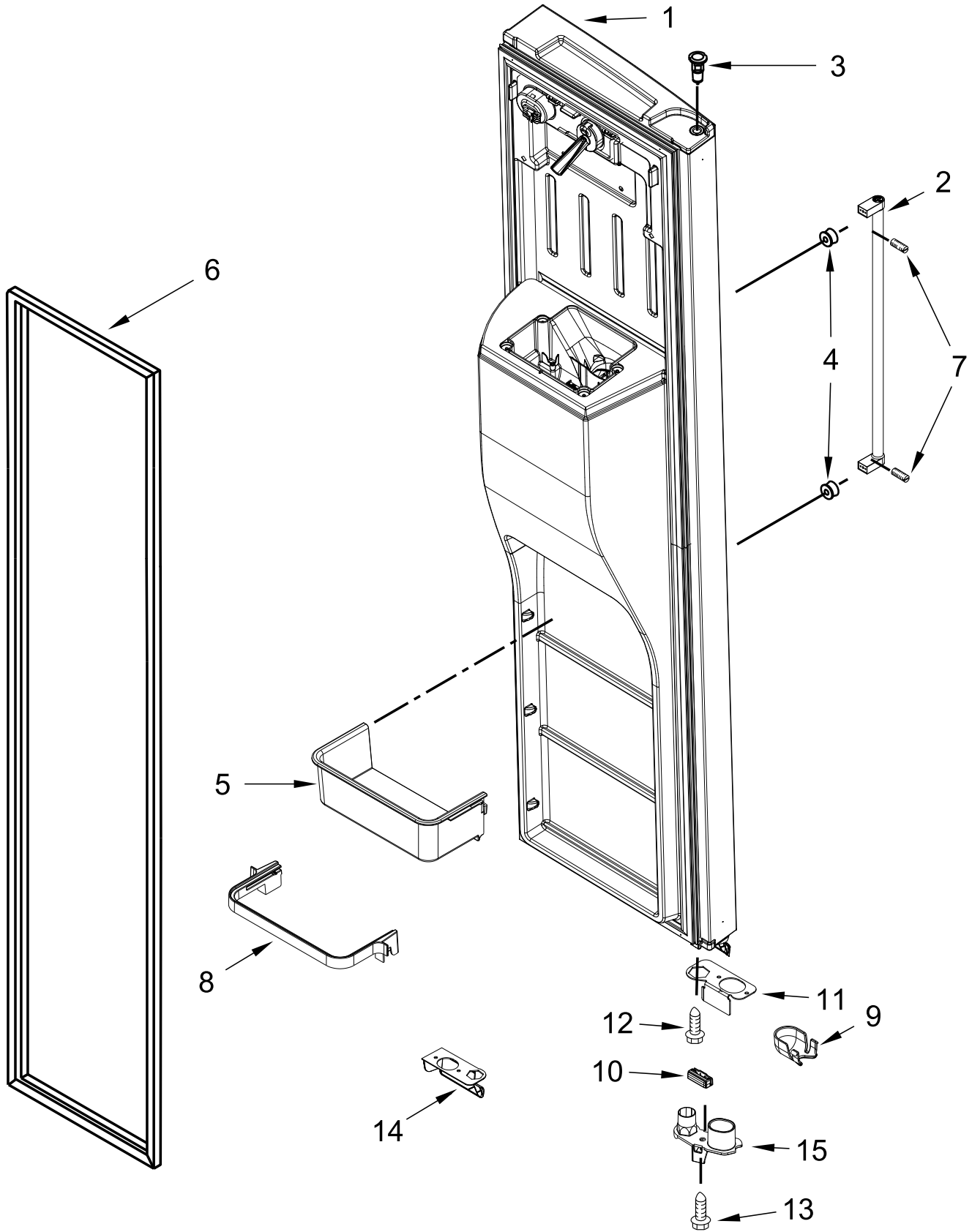
# REFRIGERATOR DOOR PARTS



# REFRIGERATOR DOOR PARTS

<u>Illus. No.</u>	<u>Part No.</u>	<u>Description</u>	<u>Illus. No.</u>	<u>Part No.</u>	<u>Description</u>	<u>Illus. No.</u>	<u>Part No.</u>	<u>Description</u>
1		Door, Refrigerator (Includes Item 5)	8	W10460893	Screw	15	W10324760	Assembly, Utility Compartment
	W11245920	Stainless	9		Closer, Upper Cam Door	16	W10494334	Frame, Gallon Door Bin
2	W10316457	Bin, Gallon Door		W10257203	Grey	17	W10494333	Frame, Shallow Door Bin
3	W10296816	Screw	10	W11204458	Screw	18		Bumper, Door
4	W10316461	Bin, Shallow Door	11	W10888898	Bracket, Door Stop		W10407188	Grey
5		Gasket, Door	12	W10518672	Badge			
	W10249916	Grey	13	W10010140	Set Screw (Silver)			
6		Handle	14		Cover, Door Stop			
	W11252159	Stainless		W10789147	Grey			
7	2200086	Thimble, Top						

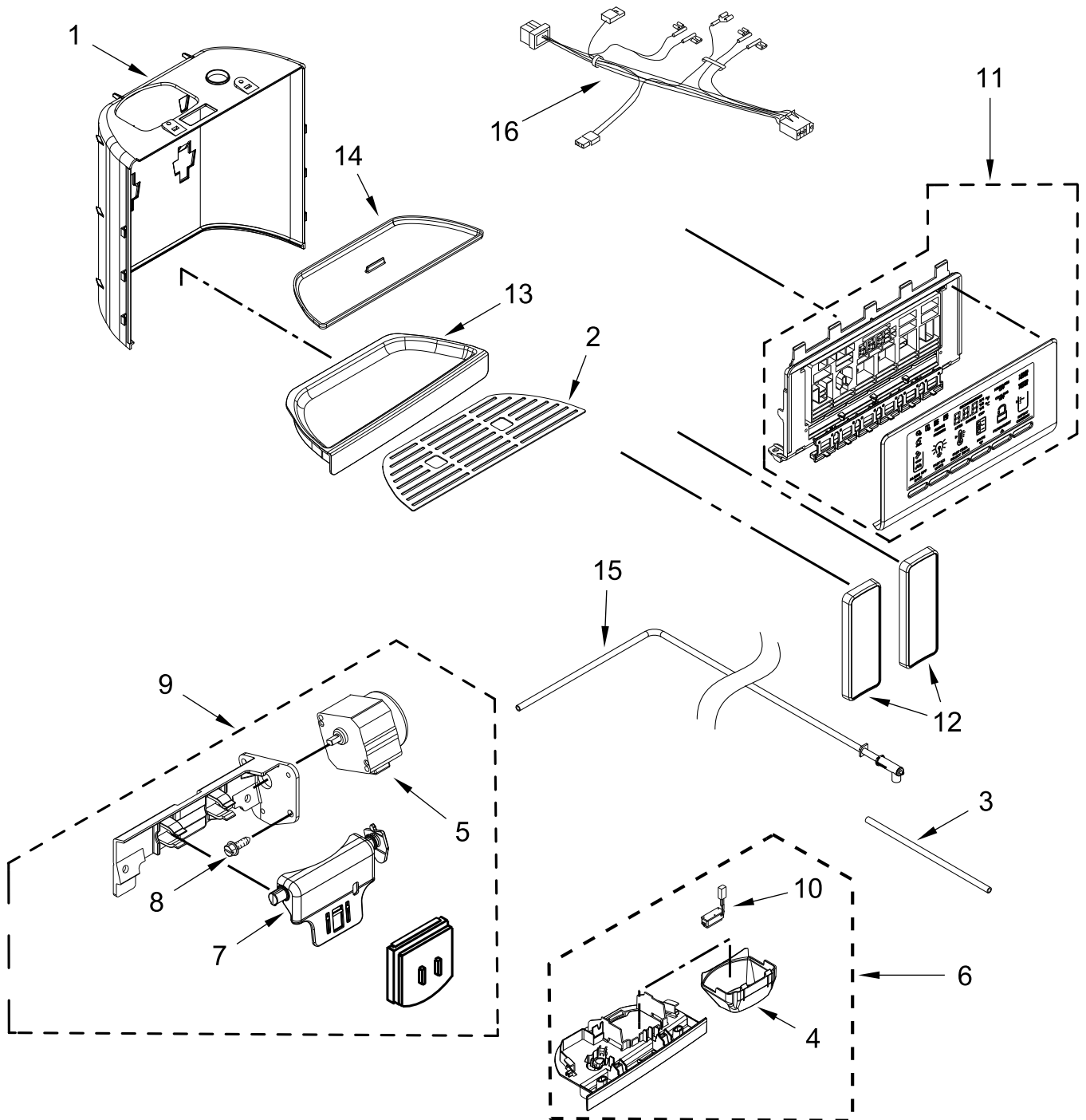
# FREEZER DOOR PARTS



# FREEZER DOOR PARTS

<u>Illus.</u> <u>No.</u>	<u>Part No.</u>	<u>Description</u>	<u>Illus.</u> <u>No.</u>	<u>Part No.</u>	<u>Description</u>	<u>Illus.</u> <u>No.</u>	<u>Part No.</u>	<u>Description</u>
1		Door, Freezer (Includes Item 6 And Dispenser Front Parts)	5	W10434529	Bin, Door	11	W10910405	Bracket, Door Stop
	W11536864	Stainless	6		Gasket, Door	12	W10296816	Screw
				W10249917	Grey	13	W11204458	Screw
2		Handle	7	W10010140	Set Screw (Silver)	14		Cover, Door Stop
	W11252159	Stainless	8	W10494336	Frame, Door Bin		W10632062	Grey
3	2200086	Thimble, Top	9	W10323148	Cover, Wire	15		Closer, Upper Cam Door
4	W10460893	Screw	10		Bumper, Door		W10257206	Grey
				W10407188	Grey			

# DISPENSER PARTS

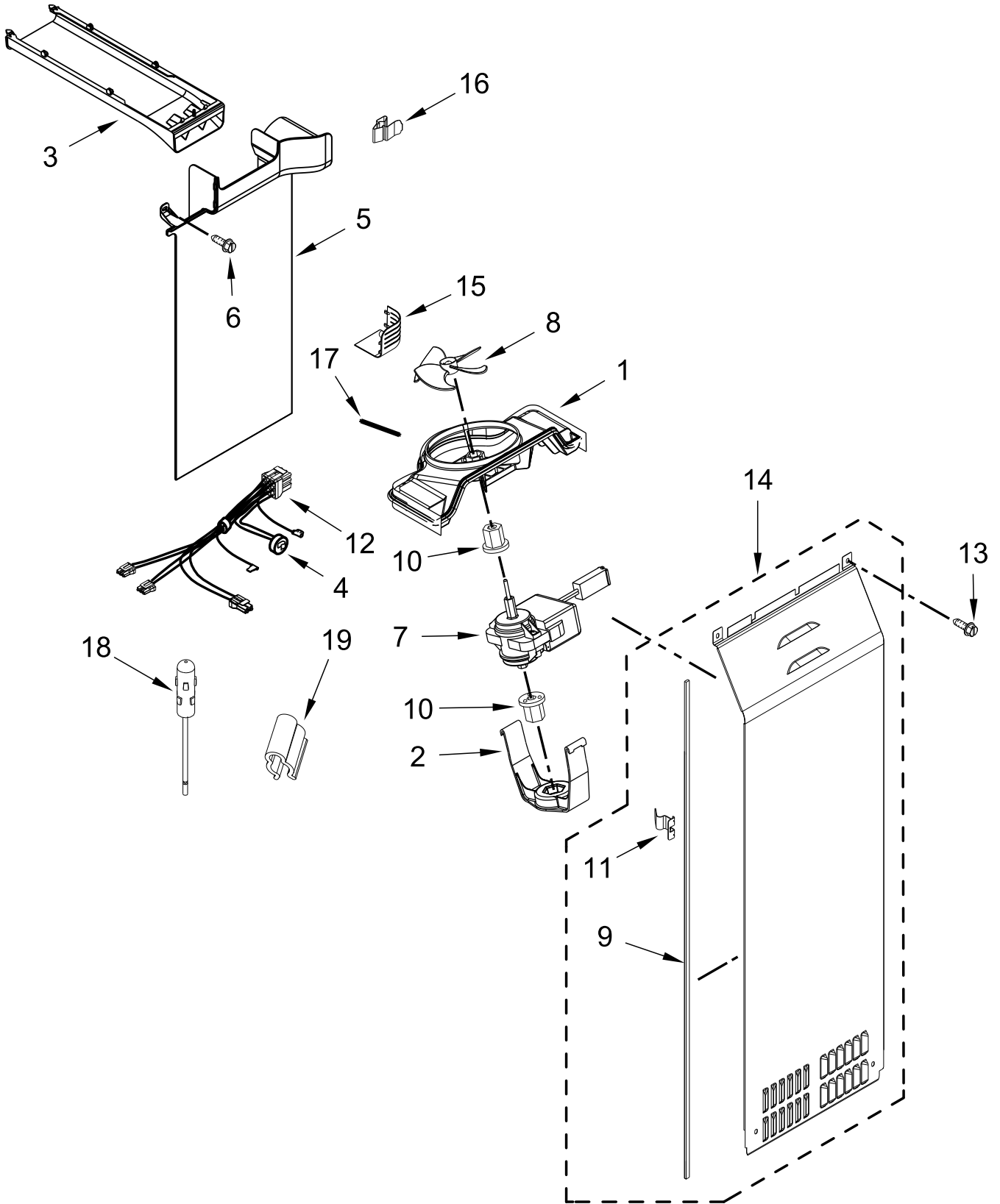




# DISPENSER PARTS

<u>Illus. No.</u>	<u>Part No.</u>	<u>Description</u>	<u>Illus. No.</u>	<u>Part No.</u>	<u>Description</u>	<u>Illus. No.</u>	<u>Part No.</u>	<u>Description</u>
1		Wall, Dispenser False	8	4449745	Screw	14		Drip Tray, Insert
	W10317259	Black	9	W10781990	Assembly, Ice Door		W11404939	Black
2	W10317270	Grate, Drip Tray	10	W10238083	Assembly, LED	15	W10403778	Tube, Dual Dispenser Water
3	W11269258	Tube, Dispenser Water Valve	11	W11384528	Assembly, Stealth User Interface	16	W11025771	Harness, Wire
4	W10435760	Guide, Ice	12		Pad, Ice and Water			
5	W10205978	Motor, Dispenser		W10346924	Grey			
6	W10353593	Assembly, Seperator	13		Tray, Housing			
7	W10346124	Support, Ice Door		W10317265	Black			

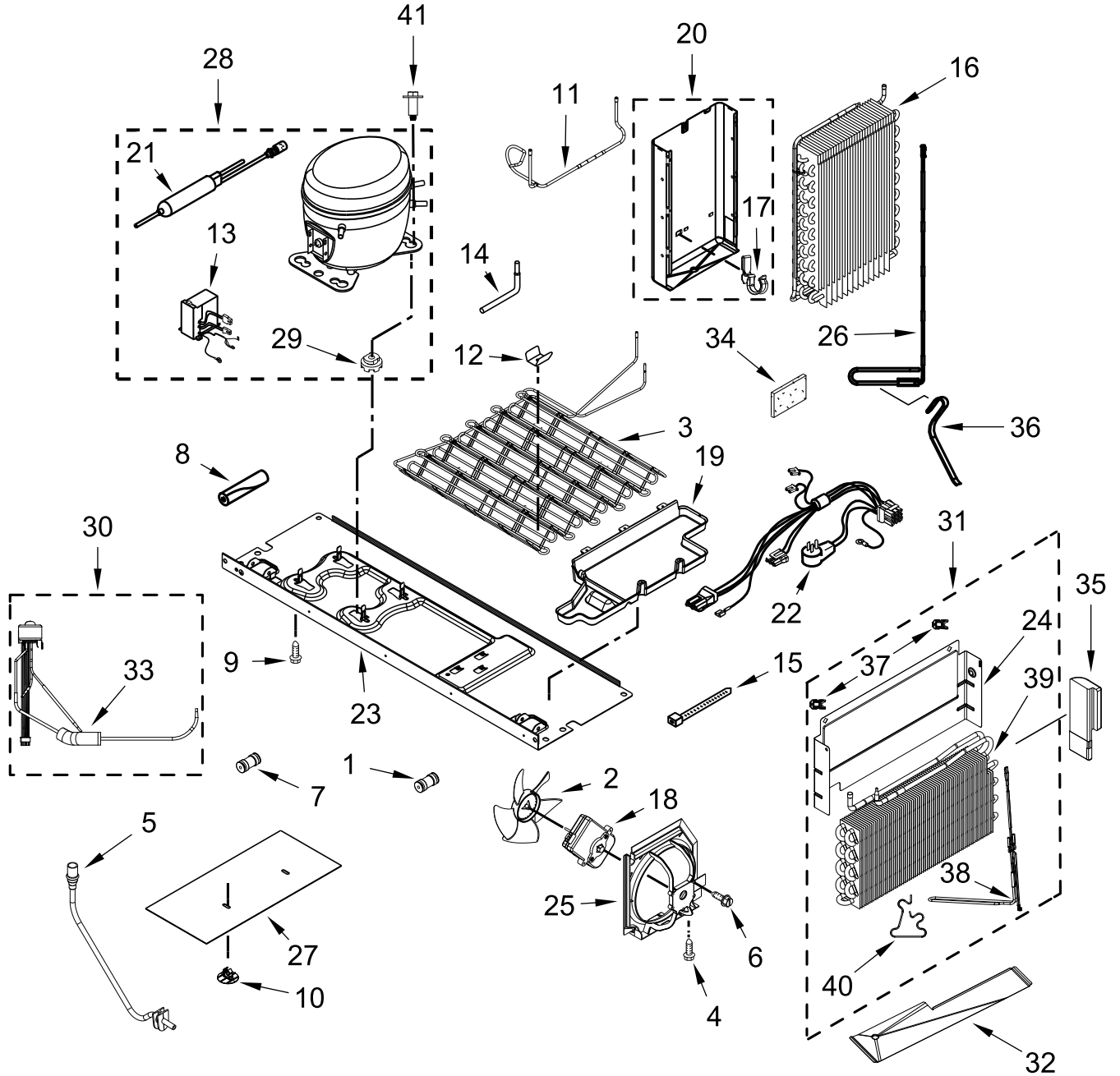
# AIR FLOW PARTS



# AIR FLOW PARTS

<u>Illus.</u> <u>No.</u>	<u>Part No.</u>	<u>Description</u>	<u>Illus.</u> <u>No.</u>	<u>Part No.</u>	<u>Description</u>	<u>Illus.</u> <u>No.</u>	<u>Part No.</u>	<u>Description</u>
1	W10251462	Scroll, Fan	7	W11243741	Motor, Fan	13	W10142292	Screw
2	2223733	Retainer, Fan Motor	8	2169142	Blade, Fan	14	W10388268	Cover, Evaporator
3	W10260380	Duct, Upper Air	9	W10240370	Gasket, Evaporator Cover	15	W10260382	Cover, Light
4		Bi-Metal Defrost (Not Serviced)	10	W10449920	Grommet, Motor	16	W10331728	Clip, Air Duct
5	W10382898	Duct, Freezer Air	11	W10369602	Clip, Evaporator Cover	17	W11205489	Foam
6	W10001260	Screw	12	W11414185	Assembly, Evaporator Fan Wire	18	W10384183	Thermistor
						19	W11437914	Clip, Evaporator Thermistor

# UNIT PARTS



# UNIT PARTS

<u>Illus.</u> <u>No.</u>	<u>Part No.</u>	<u>Description</u>	<u>Illus.</u> <u>No.</u>	<u>Part No.</u>	<u>Description</u>	<u>Illus.</u> <u>No.</u>	<u>Part No.</u>	<u>Description</u>
1	W10271543	Connector, Water Tube	21	W10805035	Drier (Service Drier Without Dye)	30	W11434102	Assembly, 3 Way Valve
2	2225834	Blade, Fan			(Also Order the Following Lokring Parts)			(Also Order the Following Lokring Parts)
3	W10240365	Assembly, Condenser						
		(Also Order the Following Lokring Parts)		W11504445	5/4 NR MS 00 (Heat Loop to Drier)		W11506623	5 NK MS 00 (3-Way Valve to Drier)
	W11504445	5/4 NR MS 00 (Heat Loop to Condenser)		W11506623	5 NK MS 00 (3-Way Valve to Drier)		W11506625	3 NK MS 00 (3-Way Valve to RC Capillary Tube - Cut/Splice near old Valve body)
	W11504431	7/5 NR MS 00 (Compressor to Condenser)	22	W11025794	Assembly, Unit Wire		W11506625	3 NK MS 00 (3-Way Valve to FC Capillary Tube - Cut/Splice near old Valve body)
4	W10142255	Screw	23	W10680691	Baseplate			
5	W10862105	Tube, Drain	24	W11438167	Assembly, RC Heat Shield			
6	W10171469	Screw	25	W10251467	Baffle, Air			
7	W10277958	Connector, Water	26	W11400732	Heater, Defrost			
8	W10303521	Sleeve	27	W10284726	Cover, Unit Bottom	31	W11363487	Assembly, RC Dual Evaporator
9	W10142287	Screw	28	W11332037	Compressor			(Also Order the Following Lokring Parts)
10	W10815861	Clip, Bottom Cover					W11506619	8 NK MS 00 (Evaporator to Heat Exchanger)
11	W11403896	Assembly, Suction Tube		W11504431	7/5 NR MS 00 (Compressor to Condenser)		W11506620	8 NK AL 00 (Capillary Tube to Evaporator - Cut/Splice on Aluminum portion of old Evaporator)
12	W10248621	Clip, Condenser		W11504415	8.5/8 NR MS 00 (Suction Tube to Compressor)			
13	W11367579	Assembly, Inverter Box		W11504416	8.5/6 NR MS 00 (Charging Tube to Compressor)	32	W10317862	Pan, Drip
14	W11509632	Tube, Process				33	2169104	Insulation, Sound Deadening
15	2205813	Tie, Wire		W11506635	Tube, Charging (1/4 in w/ Schrader Valve)	34	2215468	Insulation, Sound
16	W11357917	Evaporator				35		EPS Back
		(Also Order the Following Lokring Parts)	29	10835903	Grommet		W11405291	Right Hand
	W11506619	8 NK MS 00 (Evaporator to Heat Exchanger)					W11566549	Left Hand
	W11504450	4/1.8 NR MS 00 (Capillary Tube to Evaporator)				36	W11399994	Probe, Heat
17	2304287	Clip				37	10623002	Clip, Evaporator
18	W10909387	Motor, Condenser Fan				38	W11346672	Heater, RC Defrost
19	W10714793	Tray, Evaporator (Includes Gasket)				39	W11363481	Evaporator, RC Dual
20	W11517386	Assembly, Heat Shield/Drain Pan				40	W11363484	Clip, RC Defrost Heater
						41	W11417341	Screw
								REFRIGERANT CHARGE
								65 grams (R600a)

# OPTIONAL PARTS (NOT INCLUDED)

## PAIN, PRESSURIZED SPRAY (12 OZ.)

<u>Illus. No.</u>	<u>Part No.</u>	<u>Description</u>
	350942	White Primer
	350939	Enamel, Black
	350930	White
	4392901	Biscuit and Bisque
	8171357	Graphite
	W10134625	Apollo Grey

## PAIN, TOUCH-UP (1/2OZ.)

<u>Illus. No.</u>	<u>Part No.</u>	<u>Description</u>
	72017	White
	72032	Black
	4392899	Biscuit and Bisque
	80051	Graphite

## PAIN, BULK (1 QT.)

<u>Illus. No.</u>	<u>Part No.</u>	<u>Description</u>
	799344	White (Uncut)
	4392900	Biscuit/Bisque
	8171358	Graphite

## MISCELLANEOUS

<u>Illus. No.</u>	<u>Part No.</u>	<u>Description</u>
	W10300794	Kit, Handle Installation
	212643	Sealer, Gum (4 Feet)
	479502	Tape, Vinyl (3/4 x 108")
	505587	Sealer, Mastic (1 Qt)
	503695	Cork, Sealer
	542638	Grease, Silicone (1/2 Oz.)
	542639	Cement, Alumilastic (1 1/4 Oz.)
	833938	Kit, Terminal Connector
	4318168	Sealer
	8003RP	Kit, Water Inlet

## TORX SCREW WRENCH

<u>Illus. No.</u>	<u>Part No.</u>	<u>Description</u>
	1117510	Torx Key