

KitchenAid®

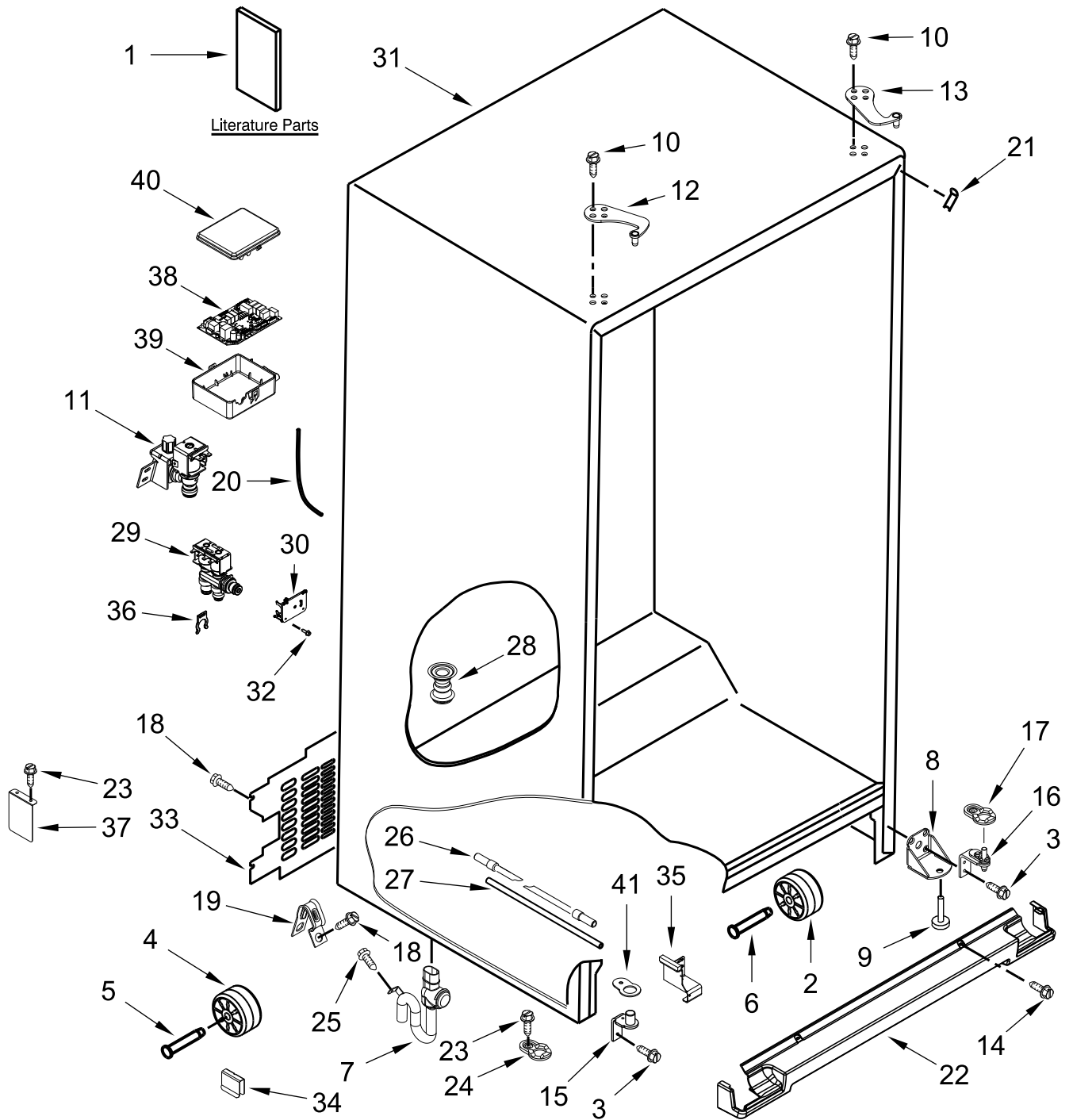
REFRIGERATOR

MODELS:

KRSC703HBS05 (Black Stainless)

KRSC703HPS05 (Stainless)

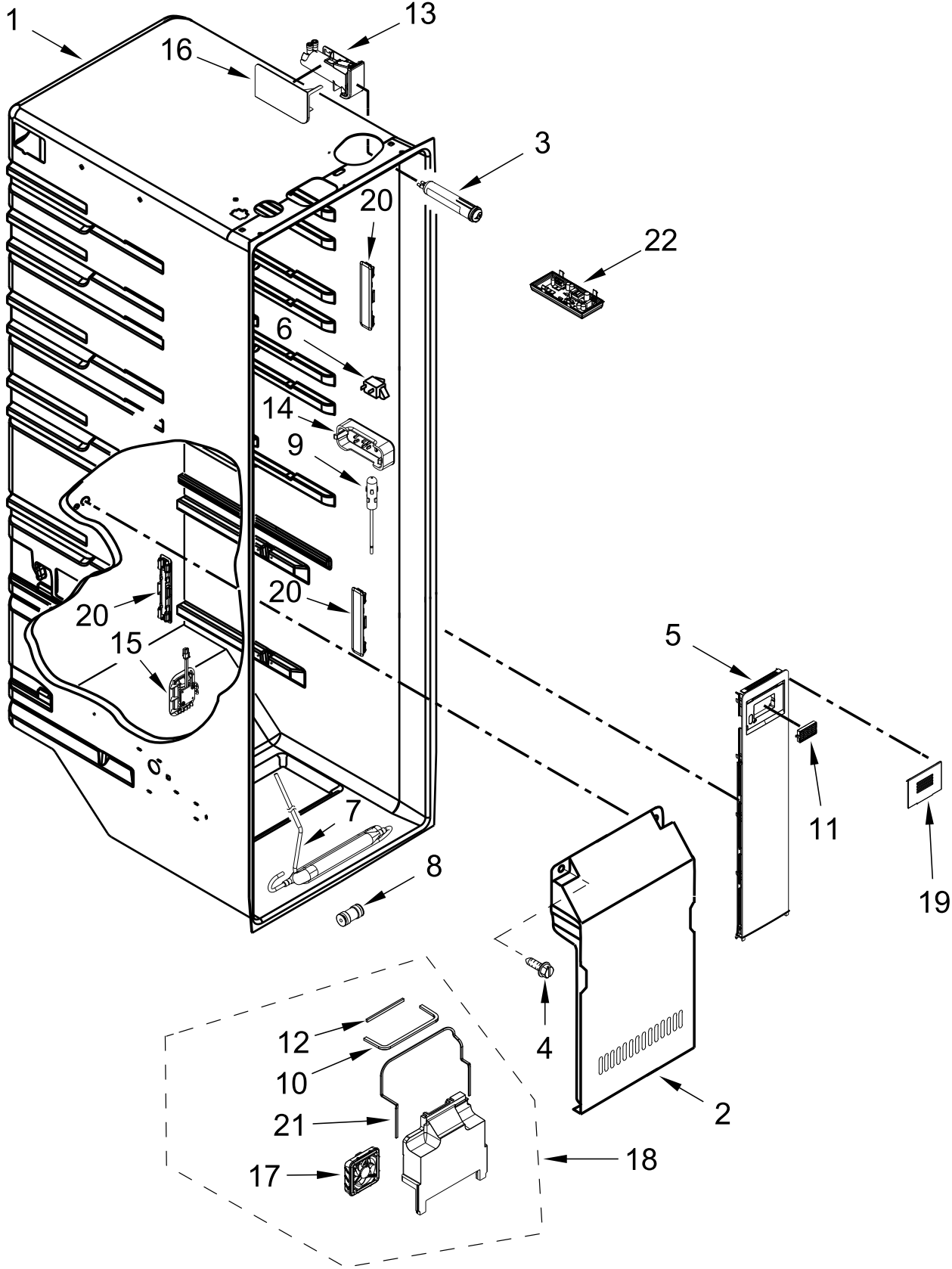
CABINET PARTS



CABINET PARTS

<u>Illus. No.</u>	<u>Part No.</u>	<u>Description</u>	<u>Illus. No.</u>	<u>Part No.</u>	<u>Description</u>	<u>Illus. No.</u>	<u>Part No.</u>	<u>Description</u>
1		Literature Parts	16		Hinge, Bottom (Refrigerator - Also includes Door Cam)	29	W10341320	Assembly, Dual Water Valve
	W11484052	Use & Care Guide		W11084348	Black	30	W10237915	Bracket, Water Valve
	W11575235	Tech Sheet		W11084346	Gray	31		Cabinet (Not A Serviceable Part)
	W11559382	Energy Guide	17		Closer, Door (Refrigerator)	32	W10141625	Screw
2	2150304	Roller		W10877807	Black	33	W11453073	Cover, Unit
3	W10297485	Screw		W10877804	Grey	34	2223388	Clip, Axle Retainer
4	12477102	Roller	18	W10141645	Screw	35	W10499011	Assembly, Bracket
5	12477202	Axle, Roller	19	W11234470	Clamp, Plastic	36	W11175631	Locking Ring (5/16)
6	981125	Rivet, Roller	20	W10691732	Tube, Water		W11175632	Locking Ring (1/4)
7	W11293073	Tube, Drain	21		Filler, Wrapper	37	W10336736	Cover, Roller
8	W10900758	Bracket, Foot		12587703B	Black	38	W11440350	Electronic Control
9	W10141622	Brake, Roller		12587703AP	Grey	39	W10247993	Box, Control
10	W10290781	Screw, Hinge	22		Grille	40	12957702	Lid, HV Box
11	W11451511	Valve, Inlet		W10713158	Black	41	W10709916	Shim, Cam Closer
12		Hinge, Top (Freezer)	23	W10142234	Screw			
	W10901052	Black	24		Closer, Door (Freezer)			
	W10901054	Gray		W10770895	Black			
13		Hinge, Top (Refrigerator)		W10770893	Grey			
	W10901047	Black	25	W10001250	Screw			
	W10901049	Gray	26	W10279882	Tube, Filter Inlet			
14	W10308487	Screw (Black)	27	W10279885	Tube, Filter Outlet			
	W10308489	Screw (Grey)	28	W10247979	Fitting, Drain			
15		Hinge, Bottom (Freezer)						
	W11126854	Black						
	W11126848	Grey						

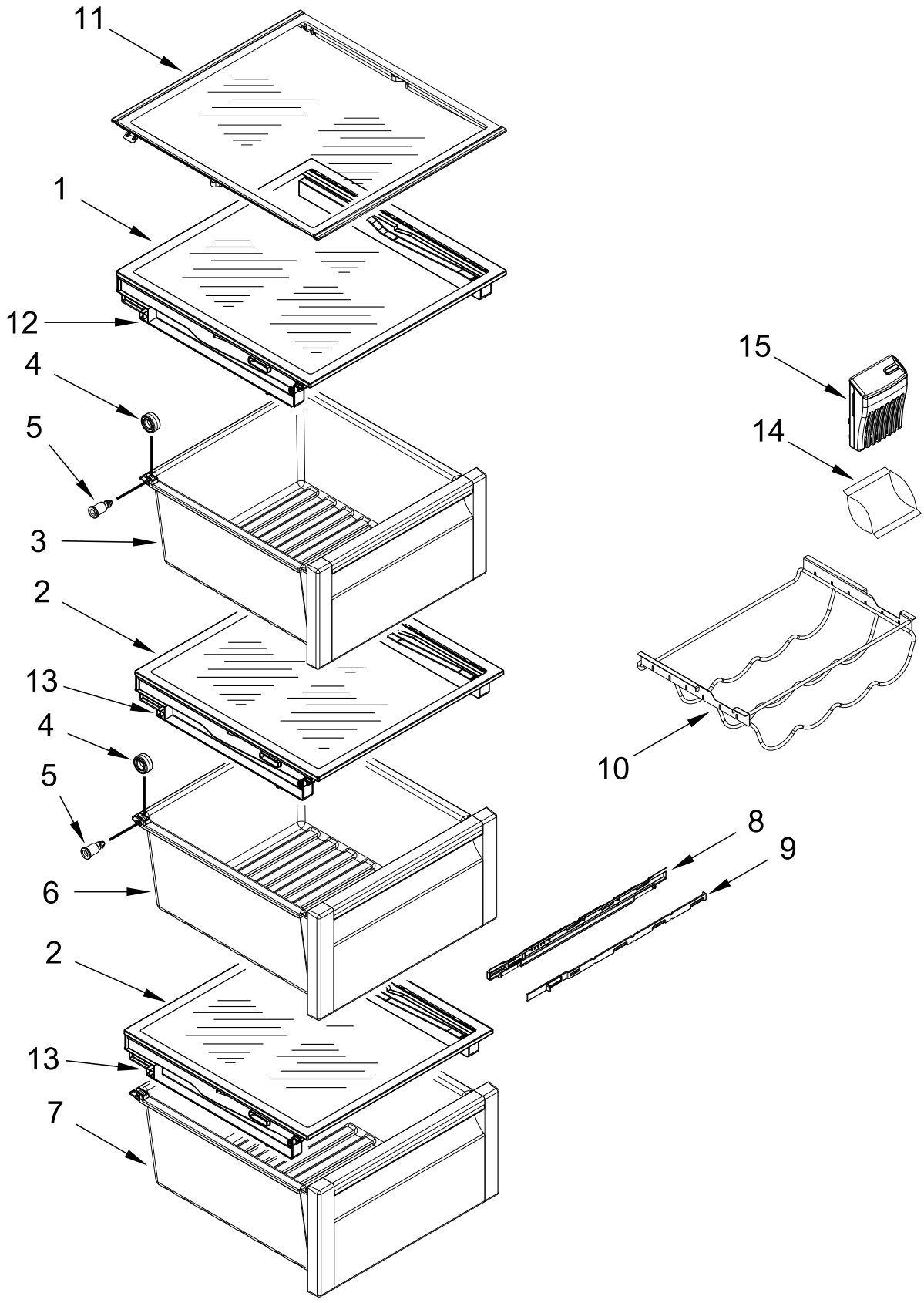
REFRIGERATOR LINER PARTS



REFRIGERATOR LINER PARTS

<u>Illus.</u> <u>No.</u>	<u>Part No.</u>	<u>Description</u>	<u>Illus.</u> <u>No.</u>	<u>Part No.</u>	<u>Description</u>	<u>Illus.</u> <u>No.</u>	<u>Part No.</u>	<u>Description</u>
1		Liner (Not A Serviceable Part)	9	W10280385	Thermistor	17	W10862076	Fan Assembly, Evaporator
2	W10387382	Cover, Evaporator	10	W10387387	Gasket, Upper	18	W11512827	Evaporator Insulation, With Fan Assembly
3	W10735398	Filter, Water	11	W10315189	Filter, Air	19	W10341548	Cover, Air Filter
4	W10141518	Screw	12	W10394945	Gasket, Rear	20	W10826780	Lighting, LED-Strip
5	W11565237	Cover, Air Tower (Includes LED Lights)	13	W10394053	Housing, Water Filter	21	W10260462	Gasket, Rear
6	W10847853	Switch, Rocker	14	W10425252	Cover, Thermistor	22	W10724473	Assembly, LED
7	W10538994	Reservoir	15	W11234011	Assembly, LED Light Module			
8	W10271541	Connector, Union	16	W11389740	Cover, Water Filter			

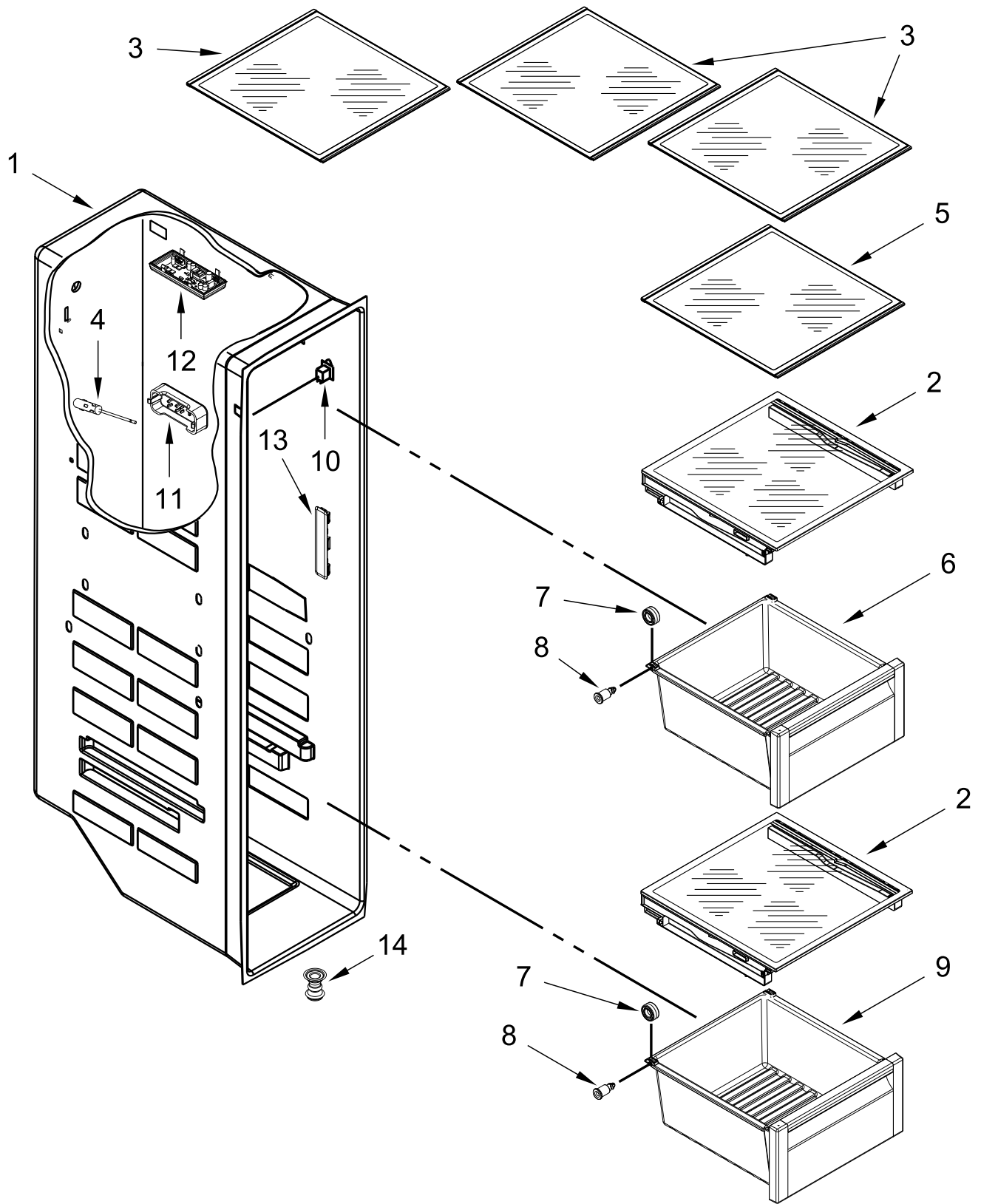
REFRIGERATOR SHELF PARTS



REFRIGERATOR SHELF PARTS

<u>Illus.</u> <u>No.</u>	<u>Part No.</u>	<u>Description</u>	<u>Illus.</u> <u>No.</u>	<u>Part No.</u>	<u>Description</u>	<u>Illus.</u> <u>No.</u>	<u>Part No.</u>	<u>Description</u>
1	W10440265	Assembly, Snack Pan Cover	9	W10257334	Slide, Humidity	14	W10346771	Filter, Produce Preserver
2	W10440266	Cover, Assembly	10	W10395554	Wine Rack	15	W10408747	Holder, Filter
3	W10542037	Pan, Snack	11	W11180785	Assembly, Shelf			
4	W10628713	Roller, Pan	12		Rail, Track			
5	W10628712	Axle, Roller		W11427425	Left Side			
6	W10531081	Pan, Crisper		W11427426	Right Side			
7	W10531082	Pan, Meat	13		Rail, Track			
8	W10316452	Housing, Humidity		W10805083	Left Side			
				W10805082	Right Side			

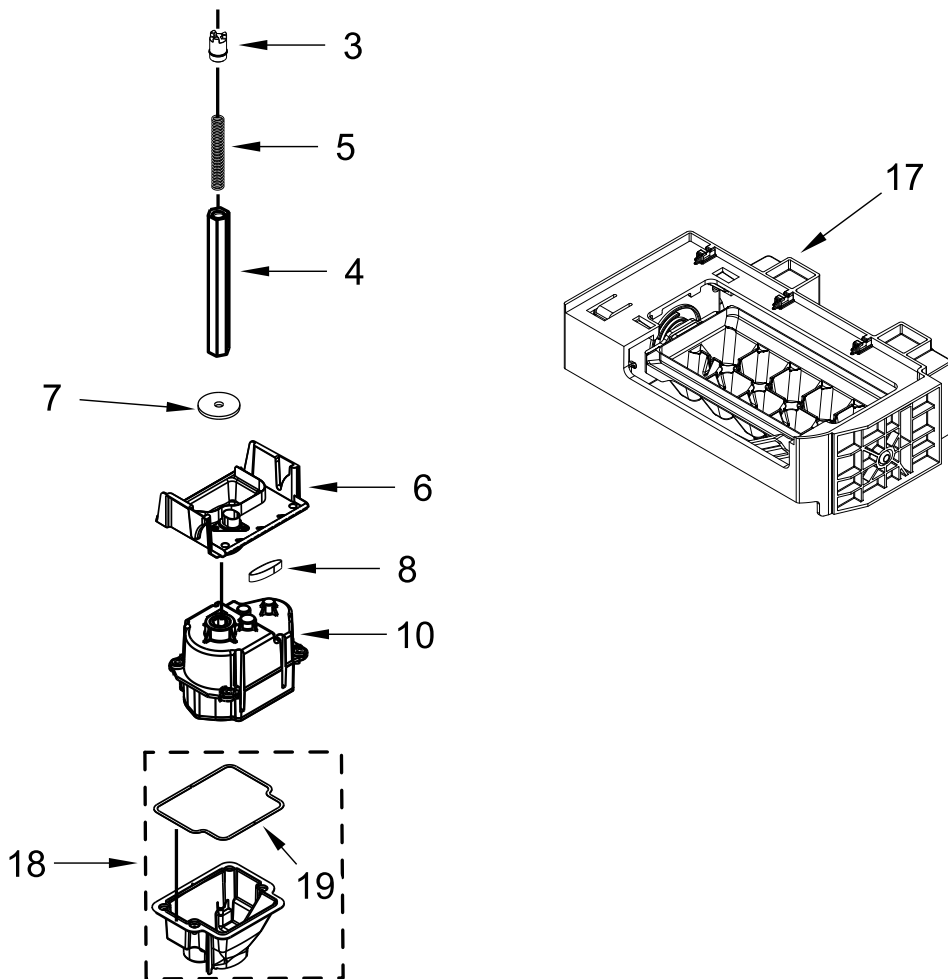
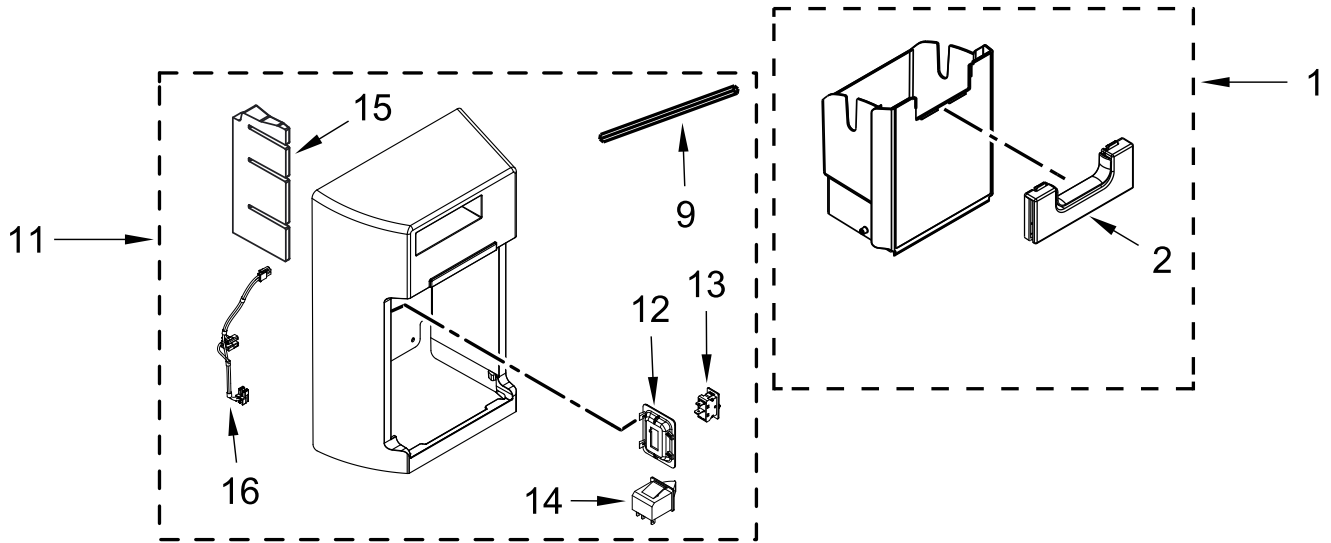
FREEZER LINER PARTS



FREEZER LINER PARTS

<u>Illus.</u> <u>No.</u>	<u>Part No.</u>	<u>Description</u>	<u>Illus.</u> <u>No.</u>	<u>Part No.</u>	<u>Description</u>	<u>Illus.</u> <u>No.</u>	<u>Part No.</u>	<u>Description</u>
1		Liner (Not A Serviceable Part)	5	W11180787	Shelf, Glass Lower	10	W10847849	Switch, Light
2	W10362174	Assembly, Cover	6	W10542036	Pan, Freezer Upper	11	W10425252	Cover, Thermistor
3	W11180786	Shelf, Glass Upper	7	W10628713	Roller, Pan	12	W10724473	Assembly, LED
4	W10438761	Thermistor	8	W10628712	Axle, Roller	13	W10826780	Lighting, LED-Strip
			9	W10542035	Pan, Freezer Lower	14	W10370680	Fitting, Drain

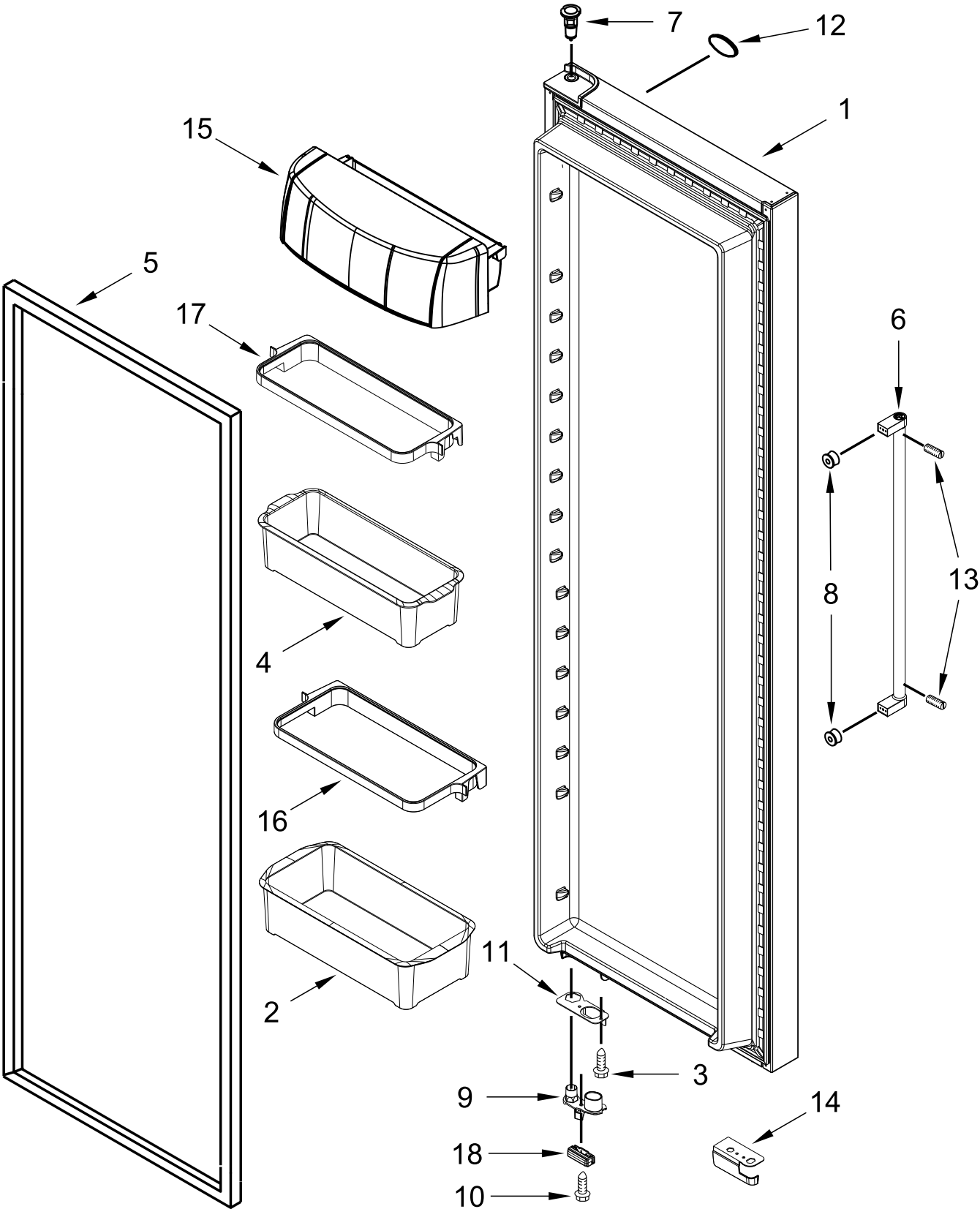
MOTOR AND ICE CONTAINER PARTS



MOTOR AND ICE CONTAINER PARTS

<u>Illus.</u> <u>No.</u>	<u>Part No.</u>	<u>Description</u>	<u>Illus.</u> <u>No.</u>	<u>Part No.</u>	<u>Description</u>	<u>Illus.</u> <u>No.</u>	<u>Part No.</u>	<u>Description</u>
1	W11251049	Container, Ice (Complete)	8	W10291905	Gasket	16	W10646076	Assembly, Wire Jumper Switch
2	W10693542	Assembly, Latch	9	W10400435	Gasket, Foam	17	W11130444	Assembly, Ice Maker
3	2220458	Coupling, Bottom	10	W11117906	Motor, Dispenser	18	W10765378	Assembly, Motor Box
4	W10258544	Shaft, Drive	11	W11466849	Cover, Container	19	W10166854	Gasket
5	W10754509	Spring, Coupling	12	W11341247	Plate, Switch			
6	W11240062	Assembly, Mounting Plate	13	W11311953	Switch, Energy Saver			
7	2305382	Boot, Rubber	14	W11032814	Switch, Rocker Arm			
			15	W10749467	Filler, EPS Icemaker Cover			

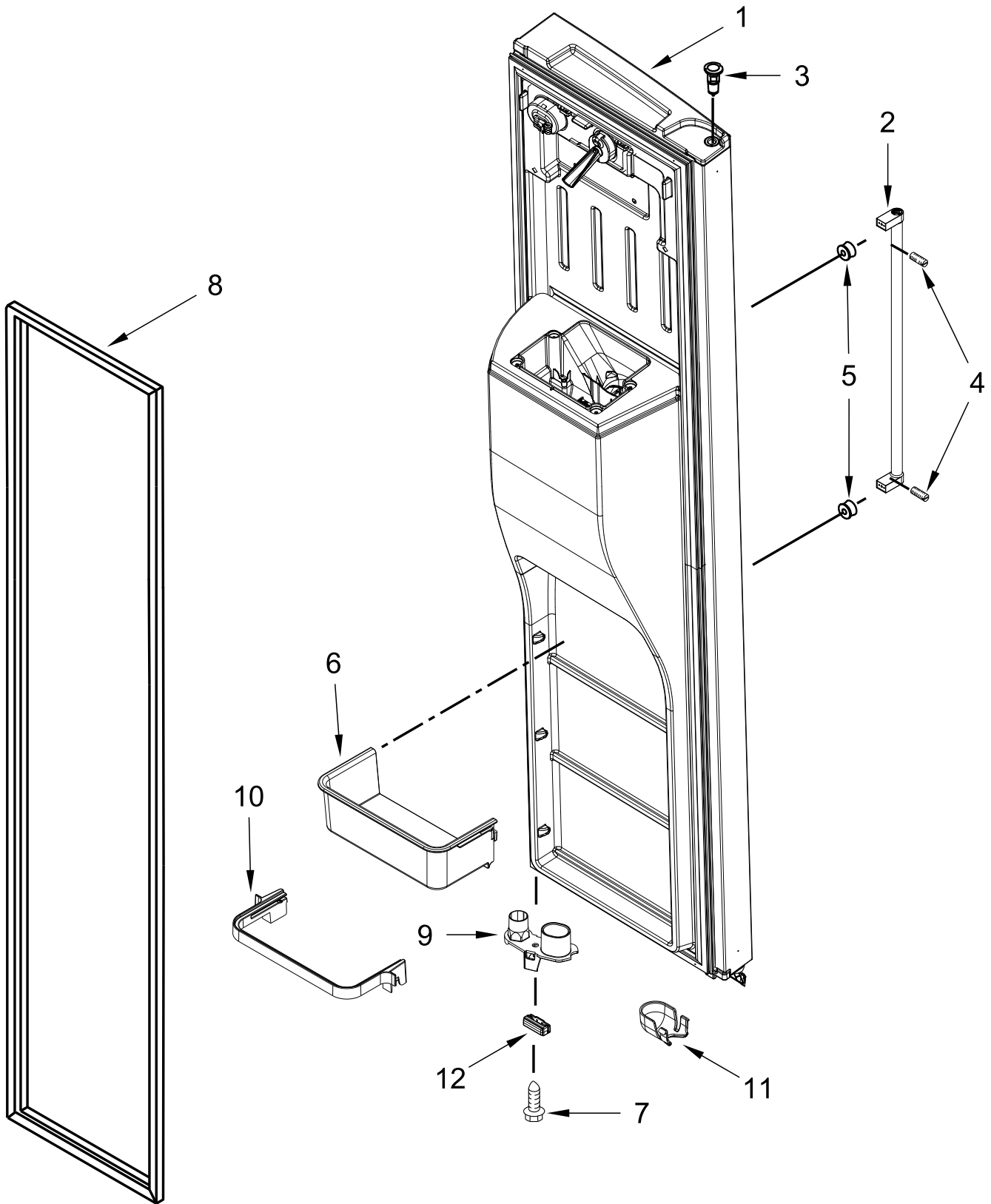
REFRIGERATOR DOOR PARTS



REFRIGERATOR DOOR PARTS

<u>Illus. No.</u>	<u>Part No.</u>	<u>Description</u>	<u>Illus. No.</u>	<u>Part No.</u>	<u>Description</u>	<u>Illus. No.</u>	<u>Part No.</u>	<u>Description</u>
1		Door, Refrigerator (Includes Item 5)	8	W10460893	Screw	15	W10324760	Assembly, Utility Compartment
	W10864694	Black Stainless	9		Closer, Upper Cam Door	16	W10494334	Frame, Gallon Door Bin
	W11245994	Stainless		W10257201	Black	17	W10494333	Frame, Shallow Door Bin
2	W10316457	Bin, Gallon Door		W10257203	Grey			
3	W10296816	Screw	10	W11204458	Screw			
4	W10316461	Bin, Shallow Door	11	W10888898	Bracket, Door Stop	18		Bumper, Door
5		Gasket, Door	12	W10518672	Badge		W10407187	Black
	W10249914	Black	13	W10010140	Set Screw (Silver)		W10407188	Grey
	W10249918	Grey	14		Cover, Door Stop			
6		Handle		W10789145	Black			
	W11252159	Stainless		W10789147	Grey			
7	2200086	Thimble, Top						

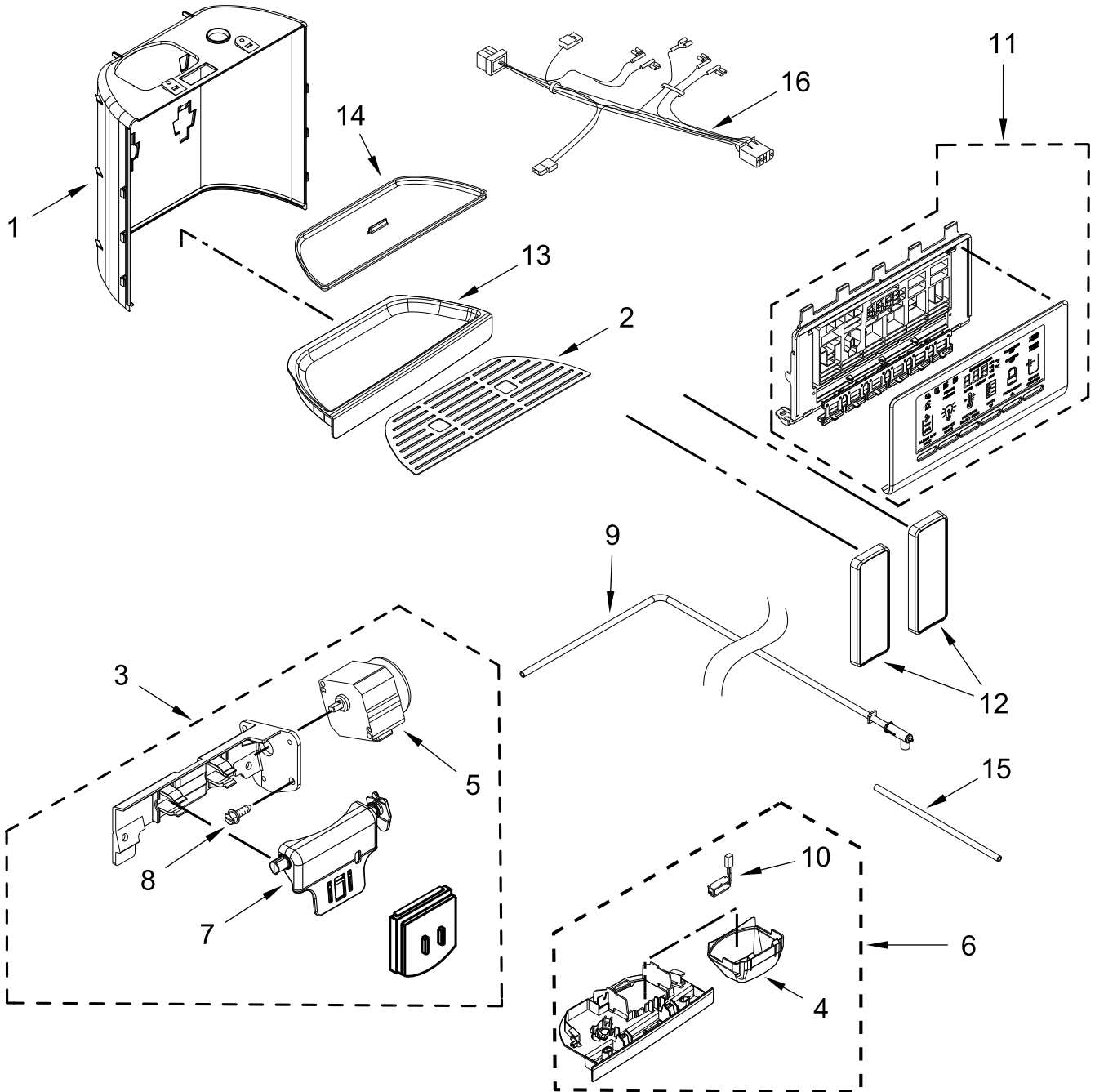
FREEZER DOOR PARTS



FREEZER DOOR PARTS

<u>Illus.</u> <u>No.</u>	<u>Part No.</u>	<u>Description</u>	<u>Illus.</u> <u>No.</u>	<u>Part No.</u>	<u>Description</u>	<u>Illus.</u> <u>No.</u>	<u>Part No.</u>	<u>Description</u>
1		Door, Freezer (Includes Item 8 And Dispenser Front Parts)	6	W10434529	Bin, Door	11	W10323148	Cover, Wire
	W11536867	Black Stainless	7	W10296816	Screw	12		Bumper, Door
	W11536868	Stainless	8		Gasket, Door		W10407187	Black
2		Handle		W10249915	Black		W10407188	Grey
	W11252159	Stainless		W10249919	Grey			
3	2200086	Thimble, Top	9		Closer, Upper Cam Door			
4	W10010140	Set Screw (Silver)		W10257204	Black			
5	W10460893	Screw		W10257206	Grey			
			10	W10494336	Frame, Door Bin			

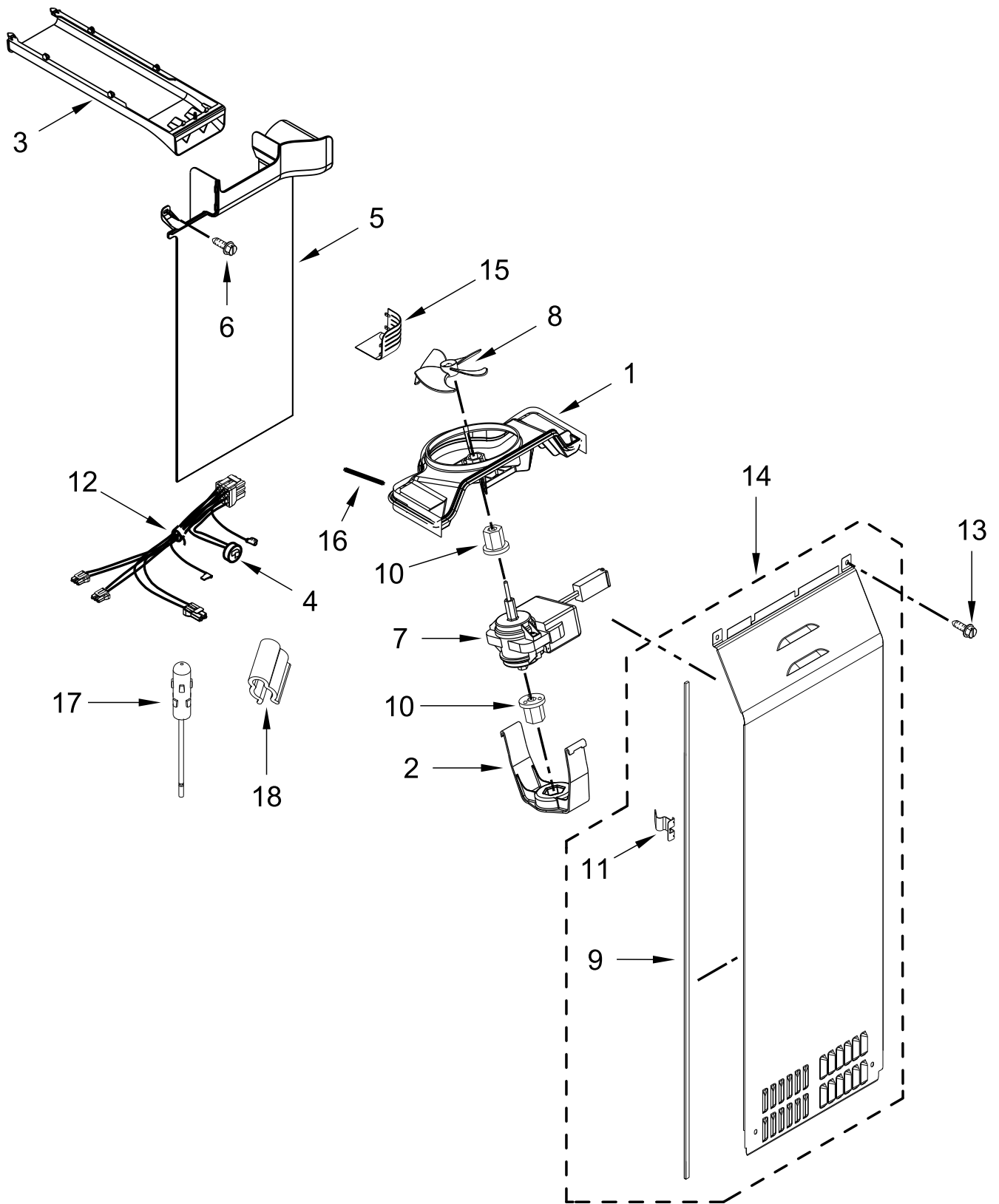
DISPENSER PARTS



DISPENSER PARTS

<u>Illus. No.</u>	<u>Part No.</u>	<u>Description</u>	<u>Illus. No.</u>	<u>Part No.</u>	<u>Description</u>	<u>Illus. No.</u>	<u>Part No.</u>	<u>Description</u>
1		Wall, Dispenser False	10	W10238083	Assembly, LED	15	W11269258	Tube, Dispenser Water Valve
	W10317259	Black	11	W11384529	Stealth User Interface Assembly (Includes Light Feature)	16	W11296837	Harness, Wire
2	W10317270	Grate, Drip Tray						
3	W10781990	Assembly, Ice Door	12		Pad, Ice and Water			
4	W10435760	Guide, Ice		W10317253	Black			
5	W10205978	Motor, Dispenser		W10346924	Grey			
6	W10353593	Assembly, Seperator	13		Tray, Housing			
7	W10346124	Support, Ice Door		W10317265	Black			
8	4449745	Screw	14		Drip Tray, Insert			
9	W10403779	Tube, Dispenser Water (Includes Spigot)		W11404939	Black			

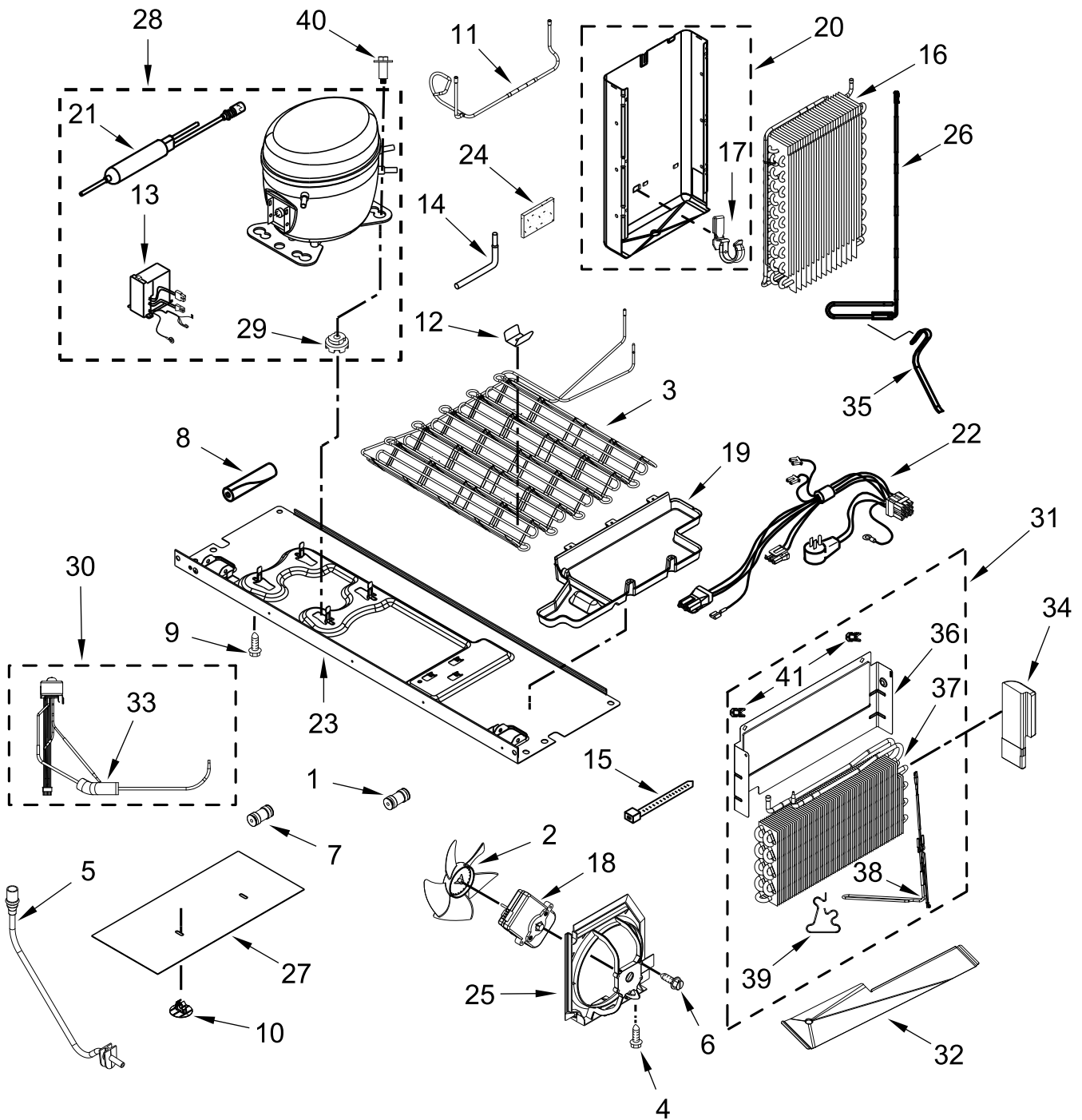
AIR FLOW PARTS



AIR FLOW PARTS

<u>Illus.</u> <u>No.</u>	<u>Part No.</u>	<u>Description</u>	<u>Illus.</u> <u>No.</u>	<u>Part No.</u>	<u>Description</u>	<u>Illus.</u> <u>No.</u>	<u>Part No.</u>	<u>Description</u>
1	W10251462	Scroll, Fan	7	W11243741	Motor, Fan	13	W10142292	Screw
2	2223733	Retainer, Fan Motor	8	2169142	Blade, Fan	14	W10388269	Cover, Evaporator
3	W10897511	Duct, Upper Air	9	W10240370	Gasket, Evaporator Cover	15	W10260382	Cover, Light
4		Bi-Metal Defrost (Not Serviced)	10	W10449920	Grommet, Motor	16	W11205489	Foam
5	W10382902	Duct, Freezer Air	11	W10369602	Clip, Evaporator Cover	17	W10384183	Thermistor
6	W10001260	Screw	12	W11414185	Assembly, Evaporator Fan Wire	18	W11437914	Clip, Evaporator Thermistor

UNIT PARTS



UNIT PARTS

<u>Illus.</u> <u>No.</u>	<u>Part No.</u>	<u>Description</u>	<u>Illus.</u> <u>No.</u>	<u>Part No.</u>	<u>Description</u>	<u>Illus.</u> <u>No.</u>	<u>Part No.</u>	<u>Description</u>
1	W10271543	Connector, Water Tube	21	W10805035	Drier (Service Drier Without Dye)	30	W11434102	Assembly, 3 Way Valve
2	2225834	Blade, Fan			(Also Order the Following Lokring Parts)			(Also Order the Following Lokring Parts)
3	W10240365	Assembly, Condenser						
		(Also Order the Following Lokring Parts)		W11504445	5/4 NR MS 00 (Heat Loop to Drier)		W11506623	5 NK MS 00 (3-Way Valve to Drier)
	W11504445	5/4 NR MS 00 (Heat Loop to Condenser)		W11506623	5 NK MS 00 (3-Way Valve to Drier)		W11506625	3 NK MS 00 (3-Way Valve to RC Capillary Tube - Cut/Splice near old Valve body)
	W11504431	7/5 NR MS 00 (Compressor to Condenser)	22	W11025794	Assembly, Unit Wire		W11506625	3 NK MS 00 (3-Way Valve to FC Capillary Tube - Cut/Splice near old Valve body)
4	W10142255	Screw	23	W10680691	Baseplate			
5	W10862105	Tube, Drain	24	2215468	Insulation, Sound			
6	W10171469	Screw	25	W10251467	Baffle, Air			
7	W10277958	Connector, Water	26	W11355319	Heater, Defrost			
8	W11449167	Sleeve	27	W10284726	Cover, Unit Bottom	31	W11363487	Assembly, RC Dual Evaporator
9	W10142287	Screw	28	W11332037	Compressor			(Also Order the Following Lokring Parts)
10	W10815861	Clip, Bottom Cover						
11	W11403896	Assembly, Suction Tube		W11504431	7/5 NR MS 00 (Compressor to Condenser)		W11506619	8 NK MS 00 (Evaporator to Heat Exchanger)
12	W10248621	Clip, Condenser						
13	W11367579	Assembly, Inverter Box		W11504415	8.5/8 NR MS 00 (Suction Tube to Compressor)		W11506620	8 NK AL 00 (Capillary Tube to Evaporator - Cut/Splice on Aluminum portion of old Evaporator)
14	W11509632	Tube, Process						
15	2263990	Tie, Wire		W11504416	8.5/6 NR MS 00 (Charging Tube to Compressor)			
16	W11357920	Evaporator				32	W10317862	Pan, Drip
		(Also Order the Following Lokring Parts)		W11506635	Tube, Charging (1/4" w/ Schrader Valve)	33	2169104	Insulation, Sound Deadening
	W11506619	8 NK MS 00 (Evaporator to Heat Exchanger)	29	10835903	Grommet	34		EPS Back
	W11504450	4/1.8 NR MS 00 (Capillary Tube to Evaporator)					W11566549	Left Hand
							W11405291	Right Hand
17	2304287	Clip				35	W11553297	Heat Probe
18	W10909387	Motor, Condenser Fan				36	W11438167	Assembly, RC Heat Shield
19	W10714793	Tray, Evaporator (Includes Gasket)				37	W11363481	Evaporator, RC Dual
20	W11517387	Assembly, Heat Sheild, Drain Pan				38	W11346672	Heater, RC Defrost
						39	W11363484	Clip, RC Defrost Heater
						40	W11417341	Screw
						41	10623002	Clip, Evaporator
								REFRIGERANT CHARGE
								65 grams (R600a)

OPTIONAL PARTS (NOT INCLUDED)

PAIN, PRESSURIZED SPRAY (12 OZ.)

<u>Illus. No.</u>	<u>Part No.</u>	<u>Description</u>
	350942	White Primer
	350939	Enamel, Black
	350930	White
	4392901	Biscuit and Bisque
	8171357	Graphite
	W10134625	Apollo Grey

PAIN, TOUCH-UP (1/2OZ.)

<u>Illus. No.</u>	<u>Part No.</u>	<u>Description</u>
	72017	White
	72032	Black
	4392899	Biscuit and Bisque
	80051	Graphite

PAIN, BULK (1 QT.)

<u>Illus. No.</u>	<u>Part No.</u>	<u>Description</u>
	799344	White (Uncut)
	4392900	Biscuit/Bisque
	8171358	Graphite

MISCELLANEOUS

<u>Illus. No.</u>	<u>Part No.</u>	<u>Description</u>
	W10300794	Kit, Handle Installation
	212643	Sealer, Gum (4 Feet)
	479502	Tape, Vinyl (3/4 x 108")
	505587	Sealer, Mastic (1 Qt)
	503695	Cork, Sealer
	542638	Grease, Silicone (1/2 Oz.)
	542639	Cement, Alumilastic (1 1/4 Oz.)
	833938	Kit, Terminal Connector
	4318168	Sealer
	8003RP	Kit, Water Inlet

TORX SCREW WRENCH

<u>Illus. No.</u>	<u>Part No.</u>	<u>Description</u>
	1117510	Torx Key