



**Professional Rangetop  
KRT365  
Parts List**

**Hestan Commercial Corporation  
3375 E. La Palma Ave.  
Anaheim, CA 92806  
(888)905-7463**

**RETAIN THIS FOR FUTURE REFERENCE**

6

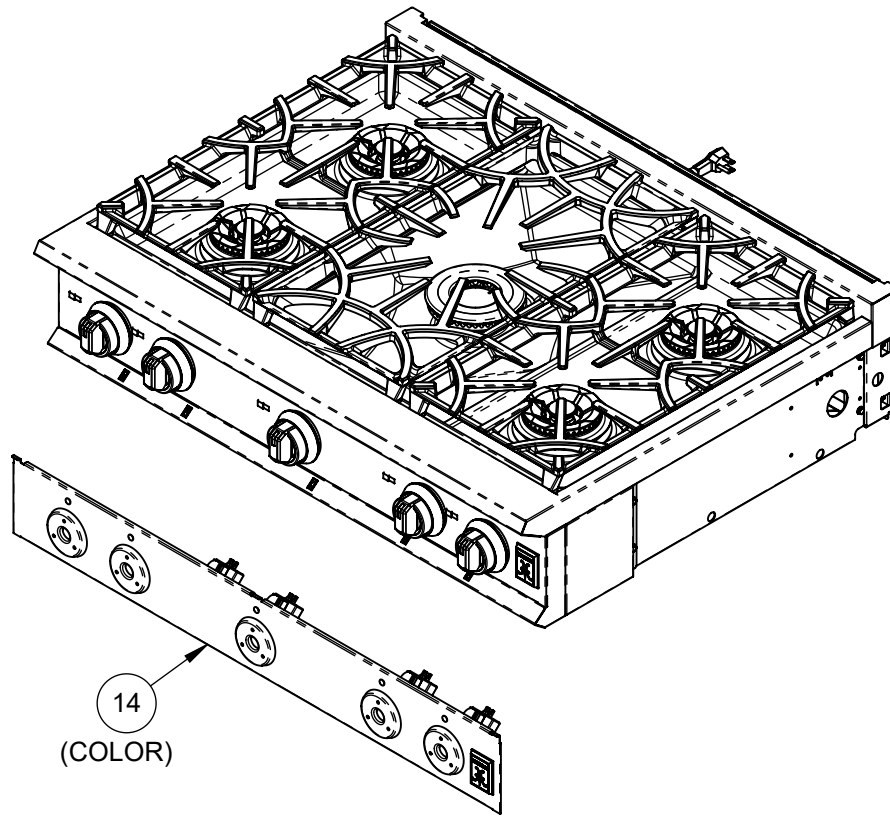
5

4

3

2

1



Color Extension (-XX)	Description
	<b>Stainless Steel</b>
-BK	Stealth - <b>Black</b>
-WH	Froth - <b>White</b>
-RD	Matador - <b>Red</b>
-YW	Sol - <b>Yellow</b>
-OR	Citra - <b>Orange</b>
-BG	Tin Roof - <b>Burgundy</b>
-PP	Lush - <b>Purple</b>
-BU	Prince - <b>Blue</b>
-GR	Grove - <b>Green</b>
-GG	Pacific Fog - <b>Graphite Gray</b>
-TQ	Bora Bora - <b>Turquoise</b>

SEE SHEET 9 FOR PARTS LIST

**HESTAN**

PROPRIETARY  
NO PART OF THIS DOCUMENT MAY BE REPRODUCED,  
STORED IN A RETRIEVAL SYSTEM, OR TRANSMITTED IN  
ANY FORM, WITHOUT THE WRITTEN PERMISSION OF  
Hestan Commercial Corporation. THIS DOCUMENT OR ANY  
COPIES SHALL BE RETURNED UPON WRITTEN REQUEST.

DESCRIPTION

**SERVICE - RANGETOP, 5-BURNER, 36"**

DRAWING NO

**KRT365-SERVICE**

REVISION

**C**

SHEET NO.

1 OF 10

6

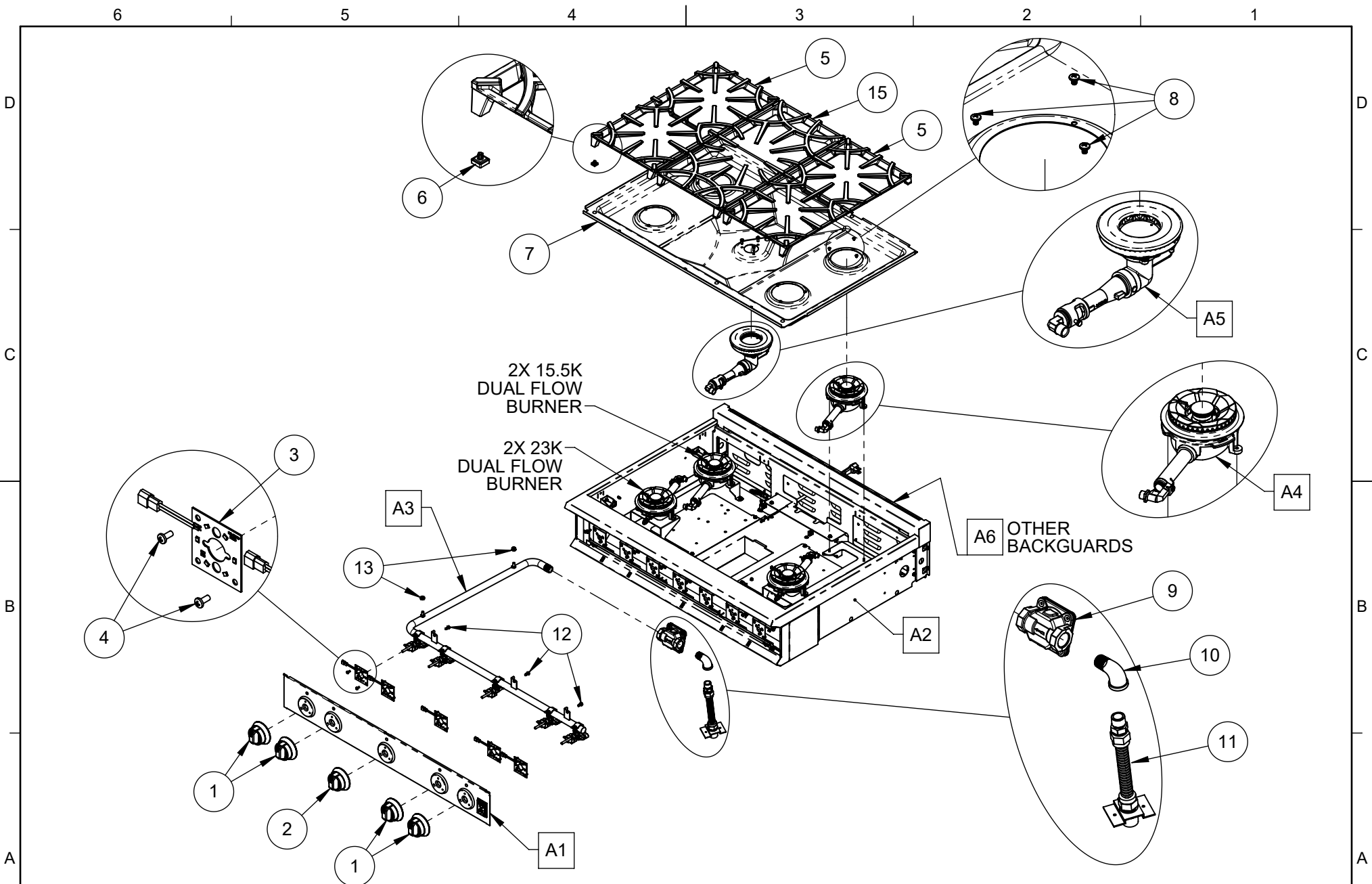
5

4

3

2

1



SEE SHEET 9 FOR PARTS LIST



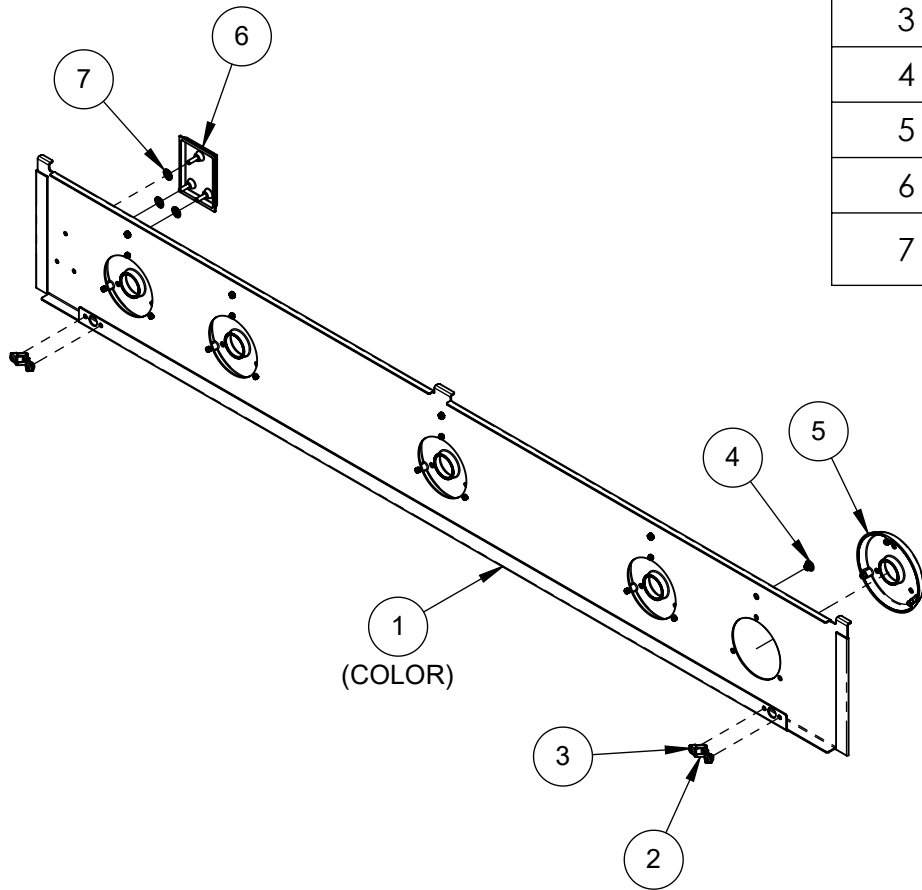
**PROPRIETARY**  
 NO PART OF THIS DOCUMENT MAY BE REPRODUCED,  
 STORED IN A RETRIEVAL SYSTEM, OR TRANSMITTED IN  
 ANY FORM, WITHOUT THE WRITTEN PERMISSION OF  
 Hestan Commercial Corporation. THIS DOCUMENT OR ANY  
 COPIES SHALL BE RETURNED UPON WRITTEN REQUEST.

DESCRIPTION  
**SERVICE - RANGETOP, 5-BURNER, 36"**

DRAWING NO  
**KRT365-SERVICE**

REVISION  
**C**  
 SHEET NO.  
 2 OF 10

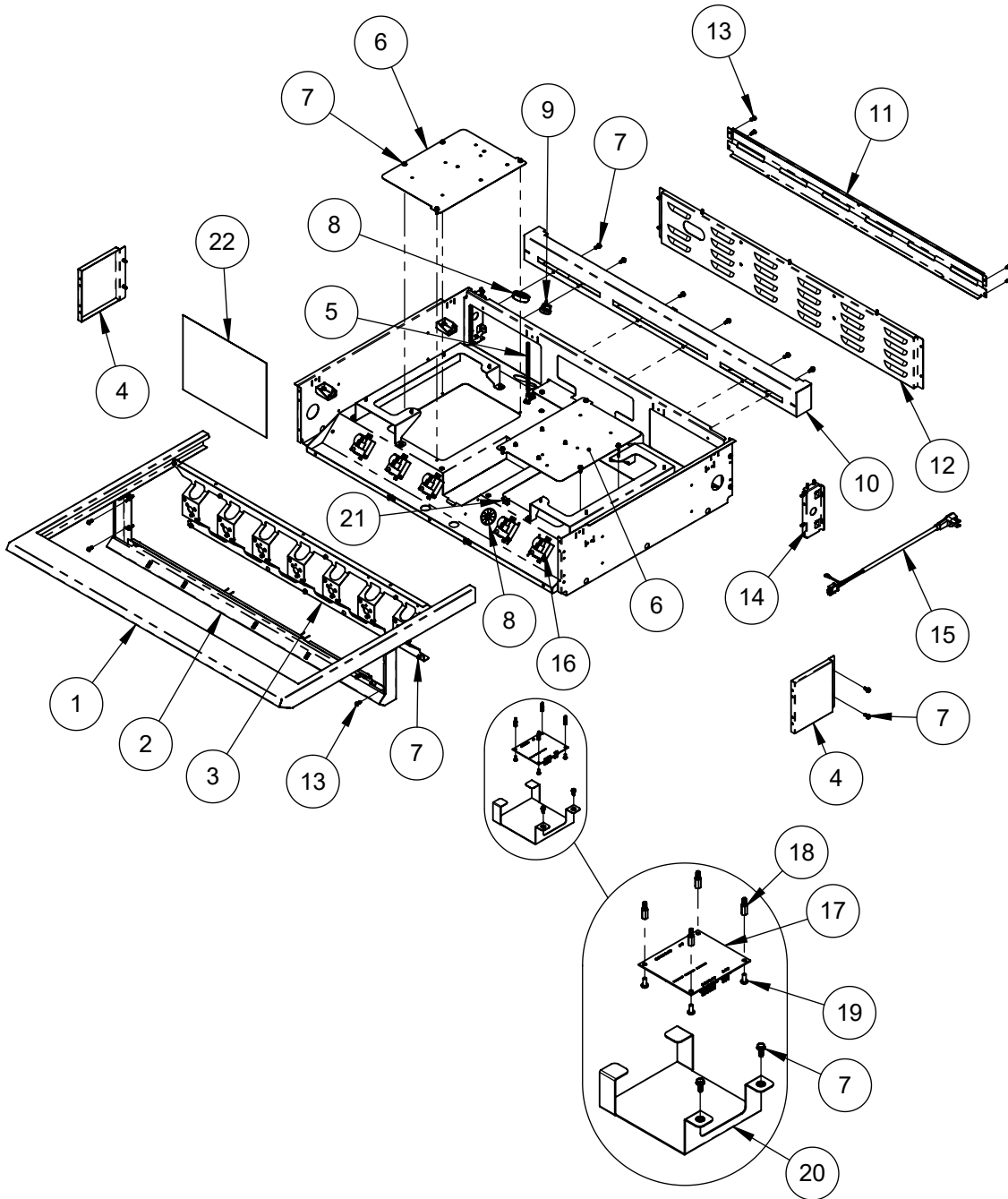
ITEM NO.	PART NUMBER	DESCRIPTION	QTY.
1	018680	INSERT, CONTROL PANEL, 365 RANGETOP	1
2	000852	RECEPTACLE, BALL STUD, 18LB PULL, ZN, C1663-028-3B	2
3	003110	POP RIVET, 1/8DIA X .275L, SS	4
4	009871	PLUG FOR 1/4-20 SHCS, CHROME	5
5	019744	DIFFUSER LENS, PRESS FIT	5
6	001842	LOGO, HESTAN, 2.125 x 1.56	1
7	010517	RETAINING RING, EXTERNAL, .125" DIAMETER SHAFT	3



PART NO.	DESCRIPTION
018680-BK	INSERT, CONTROL PANEL, 365 RANGETOP - BLACK
018680-WH	INSERT, CONTROL PANEL, 365 RANGETOP - WHITE
018680-RD	INSERT, CONTROL PANEL, 365 RANGETOP - RED
018680-YW	INSERT, CONTROL PANEL, 365 RANGETOP - YELLOW
018680-OR	INSERT, CONTROL PANEL, 365 RANGETOP - ORANGE
018680-BG	INSERT, CONTROL PANEL, 365 RANGETOP - BURGUNDY
018680-PP	INSERT, CONTROL PANEL, 365 RANGETOP - PURPLE
018680-BU	INSERT, CONTROL PANEL, 365 RANGETOP - BLUE
018680-GR	INSERT, CONTROL PANEL, 365 RANGETOP - GREEN
018680-GG	INSERT, CONTROL PANEL, 365 RANGETOP - DARK GRAY
018680-TQ	INSERT, CONTROL PANEL, 365 RANGETOP - TURQUOISE

 HESTAN

DESCRIPTION	<b>SERVICE, ASSY, CONTROL PANEL INSERT, 365 RANGETOP</b>
DRAWING NO	<b>A1</b>

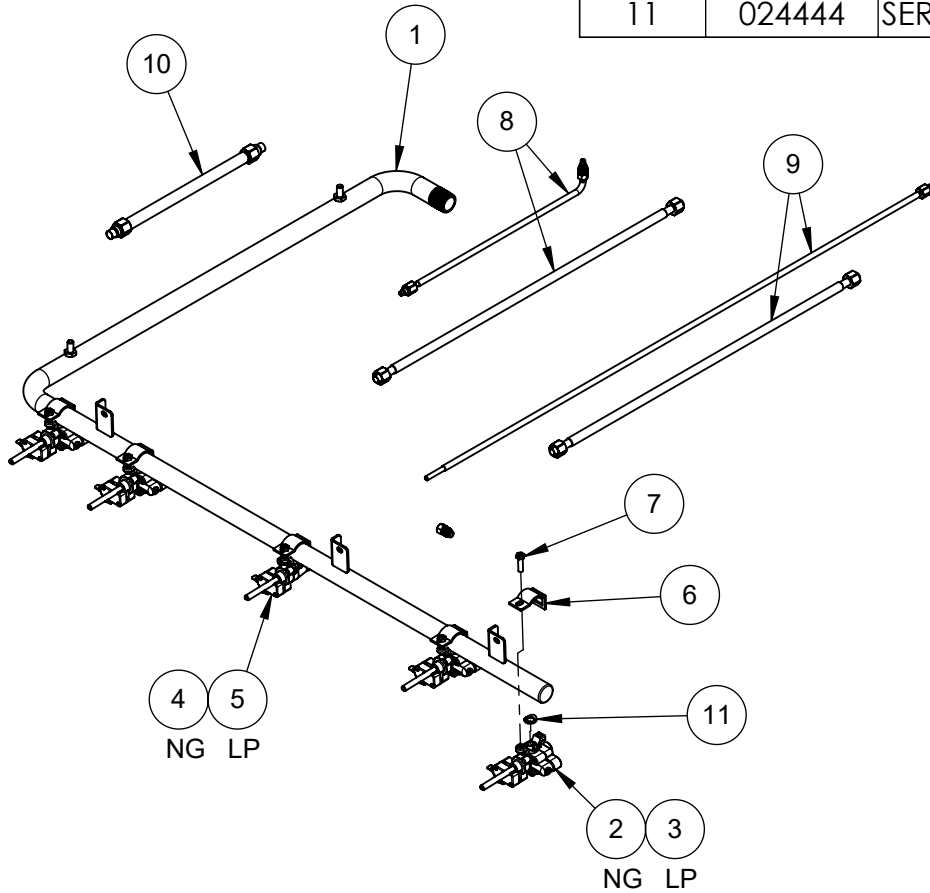


ITEM NO.	PART NO.	DESCRIPTION	QTY.
1	017793	BULLNOSE, RANGETOP, WA - 36	1
2	017784-1	CONTROL PANEL, CHIN, ASSY - 365 RT	1
3	017874	CROSSMEMBER, FRONT, FRAME, RANGETOP - 36	1
4	019608	COVER, SIDE, RANGETOP, RESIDENTIAL INDOOR	2
5	019376	HARNESS, WIRE, RANGETOP/RANGE, 365	1
6	019412	COVER, OVEN ACCESS, RANGETOP	2
7	024263	SERVICE, SMS, #10-24 X .50, HEXWSH, TYPE F, SS, PKG 10	1
8	018393	SNAP BUSHING, 1.06" MAX ID, BLACK	2
9	005862	STRAIN RELIEF, SNAP-IN, 3/4" KNOCKOUT	1
10	033015	RISER, ISLAND, INNER SIDE MOUNT, RESIDENTIAL INDOOR - 36	1
11	019654	COVER, RISER, ISLAND, RESIDENTIAL INDOOR - 36	1
12	019680	REAR COVER, 36" RANGETOP	1
13	010242	SERVICE, SMS, #10-24 X 1/2, PH, PAN, TYPE F, SS, PKG 10	1
14	032936	BRACKET, MOUNTING, RISER, REAR ACCESS, RANGETOP	2
15	019868	CORD, POWER, 4 FT, 3/14 AWG, SJTW	1
16	032028	MODULE, RE-IGNITER, SINGLE POINT, RI 120F-1, 120V, 3mA	5
17	019678	LED DRIVER / ISOLATOR BOARD	1
18	024507	SERVICE, STANDOFF, MALE-FEMALE, 1/2"L, #8-32, PKG. 4	1
19	011857	SERVICE, MS, 8-32 X .375, PH, PAN, SS, PKG 6	1
20	020762	GUARD, ISOLATOR BOARD	1
21	033830	SERVICE, CABLE HOLDER, PUSH IN, 3/8" DIAMETER, PKG. 6	1
22	018932	WIRING DIAGRAM, 365 RANGETOP	1

**HESTAN**

DESCRIPTION	<b>SERVICE, RANGETOP ASSY, 365</b>
DRAWING NO	<b>A2</b>

ITEM NO.	PART NO.	DESCRIPTION	QTY.
1	019185	MANIFOLD, INDOOR, 365 RANGETOP	1
2	031680	VALVE, DUAL FLOW, RESIDENTIAL INDOOR - NG	4
3	031681	VALVE, DUAL FLOW, RESIDENTIAL INDOOR - LP	4
4	031683	VALVE, SINGLE FLOW, RESIDENTIAL INDOOR - NG	1
5	031685	VALVE, SINGLE FLOW, RESIDENTIAL INDOOR - LP	1
6	018077	CLAMP, GAS VALVE, RESIDENTIAL INDOOR	5
7	024259	SERVICE, MS, M5 X 0.8 X 18, HEXHD, SS, PKG 5	1
8	021578-1	HOSE KIT, DUAL FLOW, RESIDENTIAL INDOOR - FRONT	2
9	021578-2	HOSE KIT, DUAL FLOW, RESIDENTIAL INDOOR - REAR	2
10	014913	HOSE, FLEX, 3/8 OD, 9", F-F, NUT/FERRULE	1
11	024444	SERVICE, GASKET, VALVE, SADDLE MOUNT, PKG 6	1



**HESTAN**

**SERVICE, MANIFOLD  
ASSEMBLY, 365**

DESCRIPTION

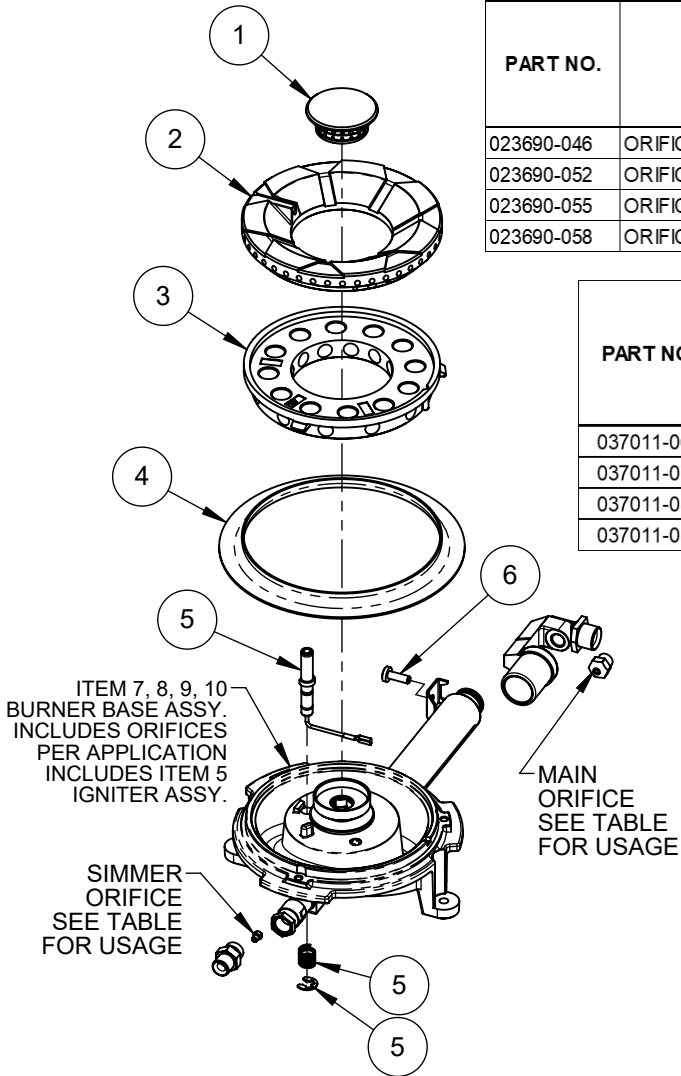
DRAWING NO

**A3**

PART NO.	SIMMER ORIFICES	Z (IN)	Z (MM)	STAMP	COLOR CODE	15.5k Dual Flow BURNER		23k Dual Flow BURNER	
						NG	LP	NG	LP
023698-073	ORIFICE, SIMMER, DUAL FLOW BURNER, INDOOR, #73	0.024	0.61	V	BLACK	X		X	
023698-078	ORIFICE, SIMMER, DUAL FLOW BURNER, INDOOR, #78	0.016	0.41	T	RED		X		X

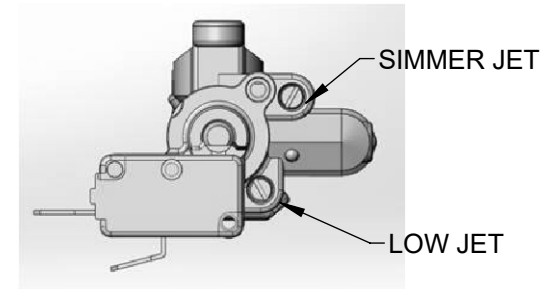
PART NO.	MAIN ORIFICES	Z (IN)	Z (MM)	STAMP	COLOR CODE	15.5k Dual Flow BURNER		23k Dual Flow BURNER	
						NG	LP	NG	LP
023690-046	ORIFICE, MAIN, DUAL FLOW BURNER, INDOOR, #46	0.081	2.05	-	YELLOW, BLACK			X	
023690-052	ORIFICE, MAIN, DUAL FLOW BURNER, INDOOR, #52	0.064	1.60	-	WHITE, BLACK	X			
023690-055	ORIFICE, MAIN, DUAL FLOW BURNER, INDOOR, #55	0.052	1.32	-	YELLOW, RED				X
023690-058	ORIFICE, MAIN, DUAL FLOW BURNER, INDOOR, #58	0.042	1.07	-	WHITE, RED		X		

PART NO.	VALVE ORIFICES (JETS)	Z (IN)	Z (MM)	COLOR CODE (COPRECI)	COLOR CODE (ISPHORDING)	Dual Flow VALVE Low Orifice		Dual Flow VALVE Simmer Orifice	
						NG	LP	NG	LP
037011-065	KIT, ORIFICE, VALVE, INDOOR, #65	0.035	0.88	-	BLACK	X			
037011-073	KIT, ORIFICE, VALVE, INDOOR, #73	0.024	0.61	-	RED		X		
037011-080	KIT, ORIFICE, VALVE, INDOOR, #80	0.0135	0.34	-	YELLOW			X	
037011-087	KIT, ORIFICE, VALVE, INDOOR, #87	0.010	0.25	-	WHITE				X



**DUAL BURNER ASSY.**

ITEM NO.	PART NO.	DESCRIPTION	QTY.
1	018436	D-INNER BURNER HEAD, DUAL FLOW, RESIDENTIAL INDOOR	1
2	018419	D-DUAL BURNER HEAD, DUAL FLOW, RESIDENTIAL INDOOR	1
3	018418	D-CROSS RING, DUAL FLOW, RESIDENTIAL INDOOR	1
4	018421	D-BEAUTY RING, DUAL FLOW, RESIDENTIAL INDOOR	1
5	024189	SERVICE, IGNITOR KIT, DUAL FLOW BURNER	1
6	024244	SERVICE, MS, M4 X 12, SEALED BURNER, PKG 4	1
7	020399	BURNER BASE ASSY, DUAL FLOW, 23K - NG	2
8	020401	BURNER BASE ASSY, DUAL FLOW, 23K - LP	2
9	020400	BURNER BASE ASSY, DUAL FLOW, 15.5K - NG	2
10	020402	BURNER BASE ASSY, DUAL FLOW, 15.5K - LP	2



**HESTAN**

**SERVICE, DUAL FLOW BURNER ASSY.**

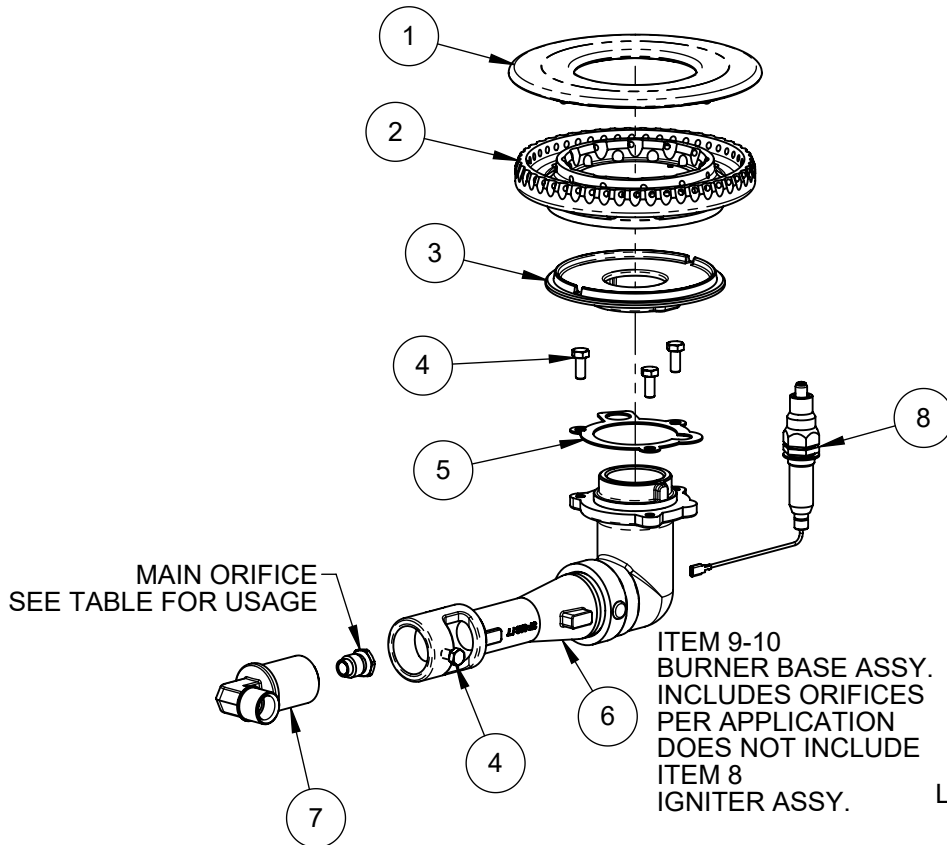
**A4**

DESCRIPTION

DRAWING NO

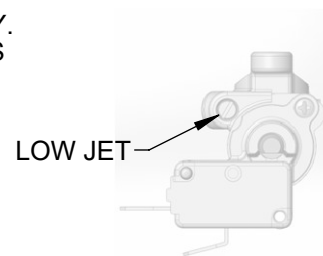
PART NO.	MAIN ORIFICES	Z (IN)	Z (MM)	STAMP	COLOR CODE	30k Single Flow BURNER	
						NG	LP
002039	ORIFICE, MAIN, SINGLE FLOW BURNER, #42, NG	0.0935	2.375	42	-	X	
004925	ORIFICE, MAIN, SINGLE FLOW BURNER, #54, LP	0.055	1.397	54	-		X

PART NO.	VALVE ORIFICES (JETS)	Z (IN)	Z (MM)	COLOR CODE (COPRECI)	COLOR CODE (ISPHORDING)	Single Flow VALVE Low Orifice	
						NG	LP
037011-062	KIT, ORIFICE, VALVE, INDOOR, #62	0.038	0.97	-	ORANGE	X	
037011-073	KIT, ORIFICE, VALVE, INDOOR, #73	0.024	0.61	-	RED		X



**SINGLE-FLOW BURNER ASSY.**

ITEM NO.	PART NO.	DESCRIPTION	QTY.
1	002058	BURNER RING, SEALED BURNER, SF	1
2	002055	HEAD, BURNER, SEALED BURNER, SF	1
3	002057	BURNER BASE, SEALED BURNER, SF	1
4	014390	SERVICE, SCREW, MOUNTING, M5X12, SEALED BURNER, PKG 4	1
5	002056	GASKET, MAIN, SEALED BURNER, SF	1
6	010662	ELBOW, SINGLE FLOW, FRONT, ASSY	1
7	002048	JET HOLDER, MAIN, SEALED BURNER, SF/DF	1
8	024190	SERVICE, IGNITER KIT, SEALED BURNER, SINGLE FLOW	1
9	028517	BURNER BASE ASSY, SINGLE FLOW, SEALED BURNER - NG	1
10	028518	BURNER BASE ASSY, SINGLE FLOW, SEALED BURNER - LP	1



**SINGLE-FLOW VALVE**



**SERVICE, SINGLE FLOW BURNER ASSY.**

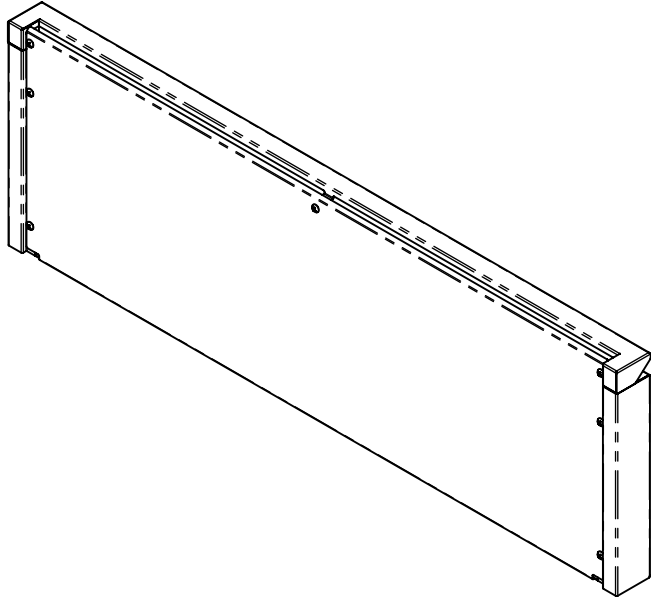
DESCRIPTION

---

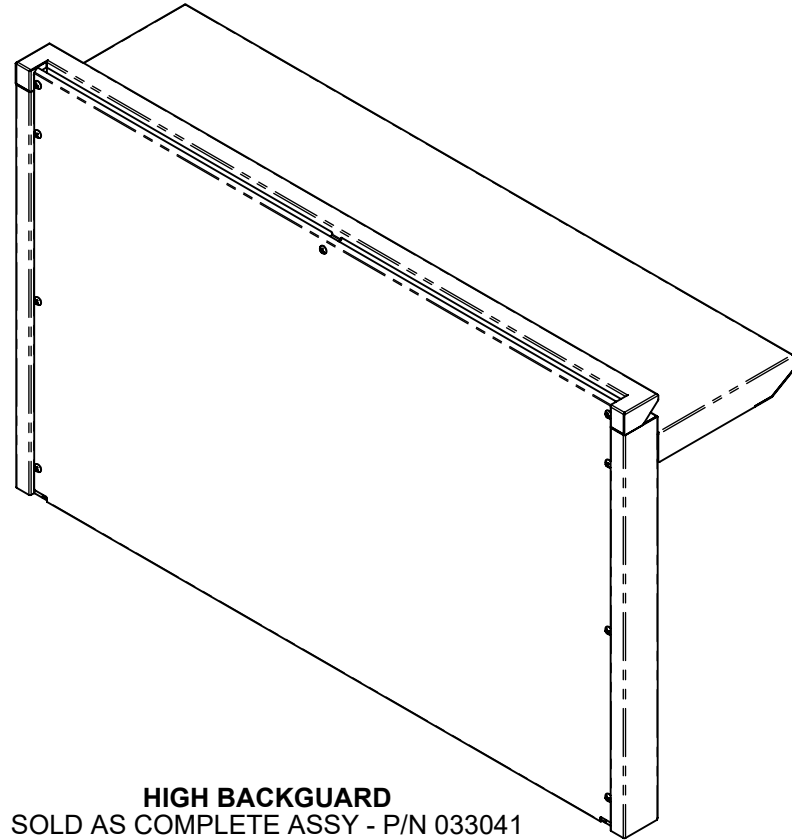
DRAWING NO

**A5**





**LOW BACKGUARD**  
SOLD AS COMPLETE ASSY - P/N 033028  
**(KBGLB36)**



**HIGH BACKGUARD**  
SOLD AS COMPLETE ASSY - P/N 033041  
**(KBGHS36)**  
OR SHELF ONLY - P/N 020300



DESCRIPTION	<b>SERVICE, OTHER BACKGUARDS - 36"</b>
DRAWING NO	<b>A6</b>

6

5

4

3

2

1

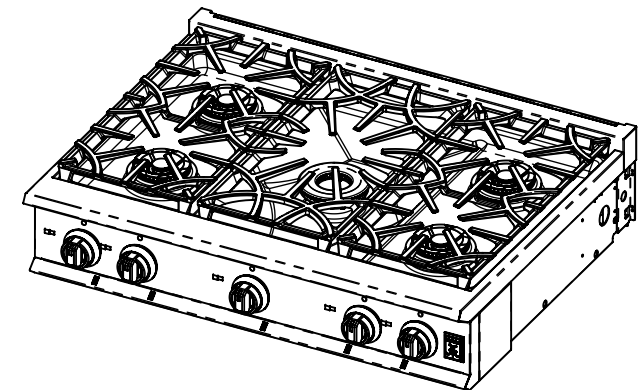
## REPLACEMENT PARTS - KRT365

ITEM	DESCRIPTION	SUB-ASSEMBLY
A1	SERVICE, ASSY, CONTROL PANEL INSERT, 365 RANGETOP	SEE SUB-ASSEMBLY FOR PARTS BREAKDOWN 033954
A2	SERVICE, RANGETOP ASSY, 365	SEE SUB-ASSEMBLY FOR PARTS BREAKDOWN 033957
A3	SERVICE, MANIFOLD ASSEMBLY, 365	SEE SUB-ASSEMBLY FOR PARTS BREAKDOWN 033970
A4	SERVICE, DUAL FLOW BURNER ASSY.	SEE SUB-ASSEMBLY FOR PARTS BREAKDOWN 033733
A5	SERVICE, SINGLE FLOW BURNER ASSY.	SEE SUB-ASSEMBLY FOR PARTS BREAKDOWN 033852
A6	SERVICE, OTHER BACKGUARDS - 36"	SEE SUB-ASSEMBLY FOR PARTS BREAKDOWN 033028, 033041

# HESTAN

All warranty and non-warranty repairs should be performed by qualified service personnel. To locate an authorized service agent, contact your Hestan dealer, local representative, or the manufacturer. Before you call, please have the model number and serial number information ready.  
Hestan Commercial Corp.  
(888) 905-7463

ITEM	PART NUMBER	DESCRIPTION	QTY.
1	018170	KNOB ASSEMBLY, MAIN BURNER, RESIDENTIAL INDOOR	4
2	018378	KNOB ASSEMBLY, SINGLE FLOW, RESIDENTIAL INDOOR	1
3	017612	LED MODULE, KNOB LIGHTING	5
4	011857	SERVICE, MS, 8-32 X .375, PH, PAN, SS, PKG 6	1
5	018251	GRATE ASSEMBLY, DUAL, RESIDENTIAL INDOOR	2
6	025945	SERVICE, GRATE, FOOTPAD, PKG 4	1
7	018064	DRIP PAN, 365 RANGETOP	1
8	024305	SERVICE, MS, M4 X 5MM, PH, PAN, SS, PKG 6	1
9	018882	REGULATOR, STRAIGHT-THRU, 1/2"NPT, CONVERTIBLE, DD-RV48 (5"/10"w.c.)	1
	021649	REGULATOR, STRAIGHT-THRU, 1/2"NPT, CONVERTIBLE, DD-RV48, 5/10, CONVERTED TO LP	1
10	007508	ELBOW, 1/2 FNPT X 1/2 MNPT, 90 DEG	1
11	020677	HOSE, FLEX, 5/8OD X 1/2MIP X 3/4MIP W/ BRACKET, 8"	1
12	024260	SERVICE, MS, 10-24 X 1/2, HEX HD W/ LOCK WASHER, ZN, PKG 10	1
13	011715	SERVICE, NUT, KEPS, 1/4-20, ZN, PKG 4	1
14	033954	SERVICE, ASSY, CONTROL PANEL INSERT, 365 RANGETOP	1
15	018319	GRATE ASSEMBLY, SINGLE, RESIDENTIAL INDOOR	1



# HESTAN

**PROPRIETARY**  
NO PART OF THIS DOCUMENT MAY BE REPRODUCED, STORED IN A RETRIEVAL SYSTEM, OR TRANSMITTED IN ANY FORM, WITHOUT THE WRITTEN PERMISSION OF Hestan Commercial Corporation. THIS DOCUMENT OR ANY COPIES SHALL BE RETURNED UPON WRITTEN REQUEST.

DESCRIPTION

## SERVICE - RANGETOP, 5-BURNER, 36"

DRAWING NO

## KRT365-SERVICE

REVISION

### C

SHEET NO.

9 OF 10

6

5

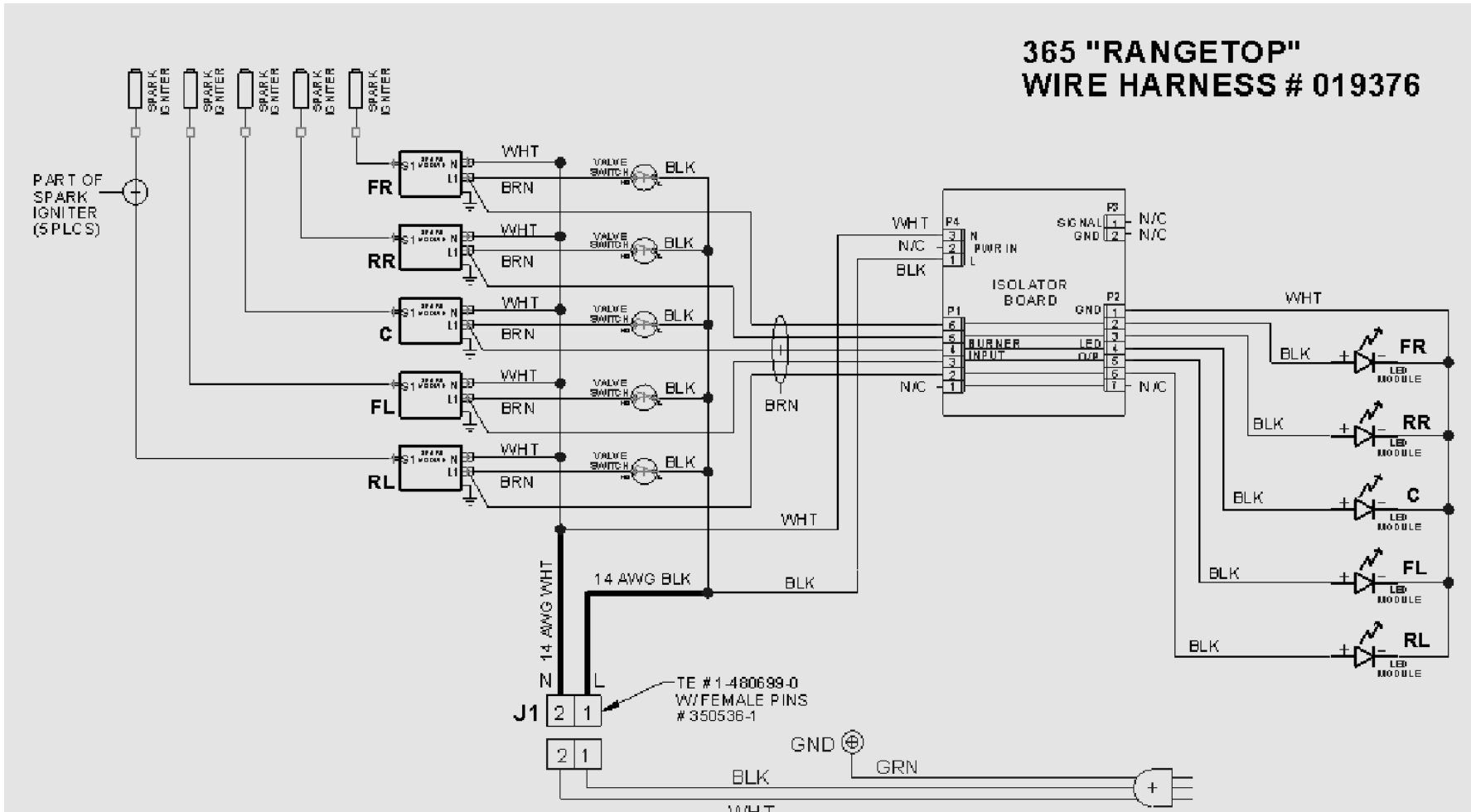
4

3

2

1

### 365 "RANGETOP" WIRE HARNESS # 019376



**"CAUTION: LABEL ALL WIRES PRIOR TO DISCONNECTION WHEN SERVICING CONTROLS. WIRING ERRORS CAN CAUSE IMPROPER AND DANGEROUS OPERATION."**  
**"VERIFY PROPER OPERATION AFTER SERVICING."**

POWER CORD, 4 FT, 3/14 AWG, SJTW

NOTE: UNLESS SPECIFIED OTHERWISE, ALL WIRES TO BE 18GA, 600V, 150°C

**WIRING DIAGRAM, 365 RANGETOP  
018932**



PROPRIETARY  
NO PART OF THIS DOCUMENT MAY BE REPRODUCED, STORED IN A RETRIEVAL SYSTEM, OR TRANSMITTED IN ANY FORM, WITHOUT THE WRITTEN PERMISSION OF Hestan Commercial Corporation. THIS DOCUMENT OR ANY COPIES SHALL BE RETURNED UPON WRITTEN REQUEST.

DESCRIPTION  
**SERVICE - RANGETOP, 5-BURNER, 36"**

DRAWING NO  
**KRT365-SERVICE**

REVISION  
**C**  
SHEET NO.  
10 OF 10