



**Professional Rangetop w/ 12" Griddle
KRT485GD
Parts List**

**Hestan Commercial Corporation
3375 E. La Palma Ave.
Anaheim, CA 92806
(888)905-7463**

RETAIN THIS FOR FUTURE REFERENCE

6

5

4

3

2

1

D

D

C

C

B

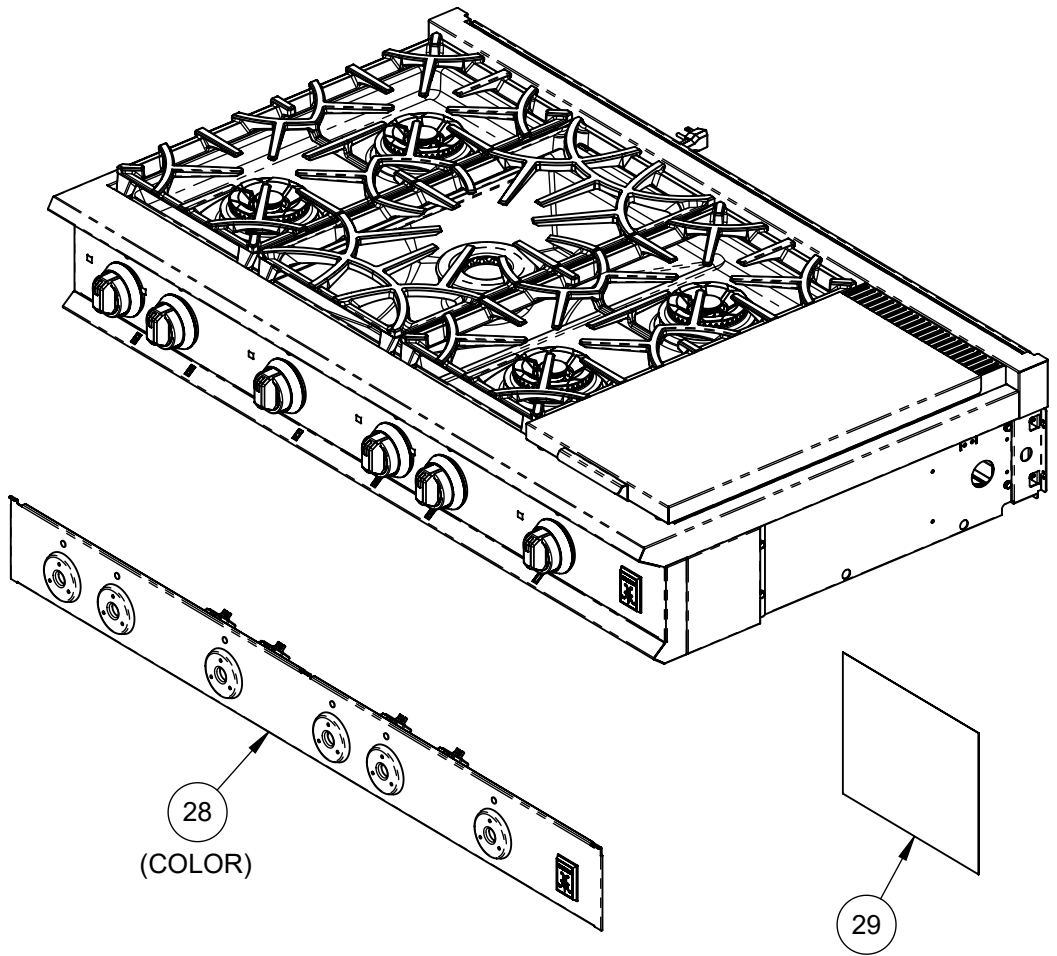
B

A

A



All warranty and non-warranty repairs should be performed by qualified service personnel. To locate an authorized service agent, contact your Hestan dealer, local representative, or the manufacturer. Before you call, please have the model number and serial number information ready.
 Hestan Commercial Corp.
 (888) 905-7463



28
 (COLOR)

29

Color Extension (-XX)	Description
	Stainless Steel
-BK	Stealth - Black
-WH	Froth - White
-RD	Matador - Red
-YW	Sol - Yellow
-OR	Citra - Orange
-BG	Tin Roof - Burgundy
-PP	Lush - Purple
-BU	Prince - Blue
-GR	Grove - Green
-GG	Pacific Fog - Graphite Gray
-TQ	Bora Bora - Turquoise

SEE SHEET 3 FOR PARTS LIST



PROPRIETARY
 NO PART OF THIS DOCUMENT MAY BE REPRODUCED,
 STORED IN A RETRIEVAL SYSTEM, OR TRANSMITTED IN
 ANY FORM, WITHOUT THE WRITTEN PERMISSION OF
 Hestan Commercial Corporation. THIS DOCUMENT OR ANY
 COPIES SHALL BE RETURNED UPON WRITTEN REQUEST.

DESCRIPTION
SERVICE, RANGETOP ASSY, 485GD

DRAWING NO
KRT485GD-SERVICE

REVISION
B
 SHEET NO.
 1 OF 10

6

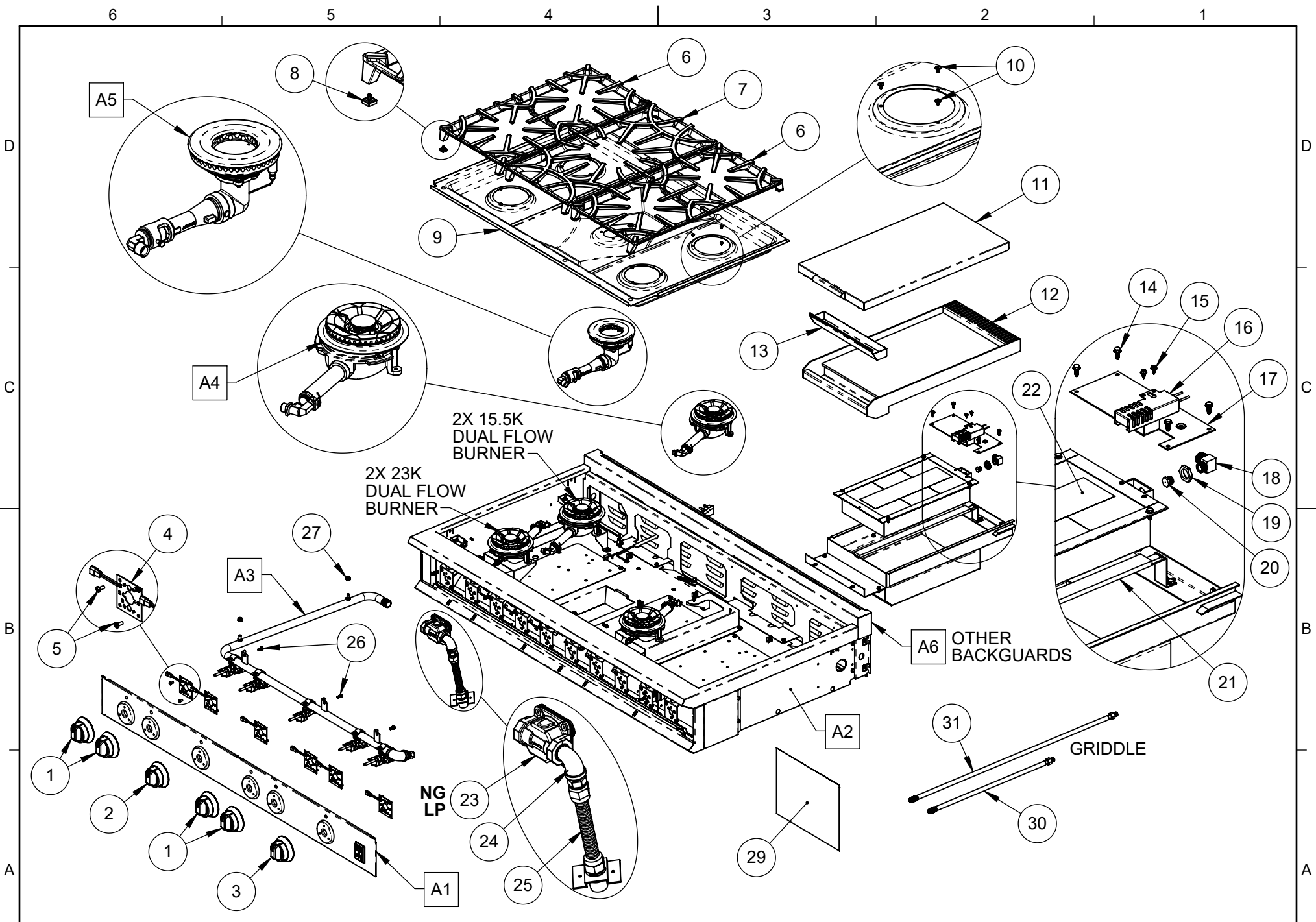
5

4

3

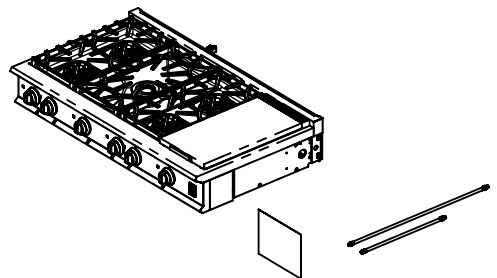
2

1



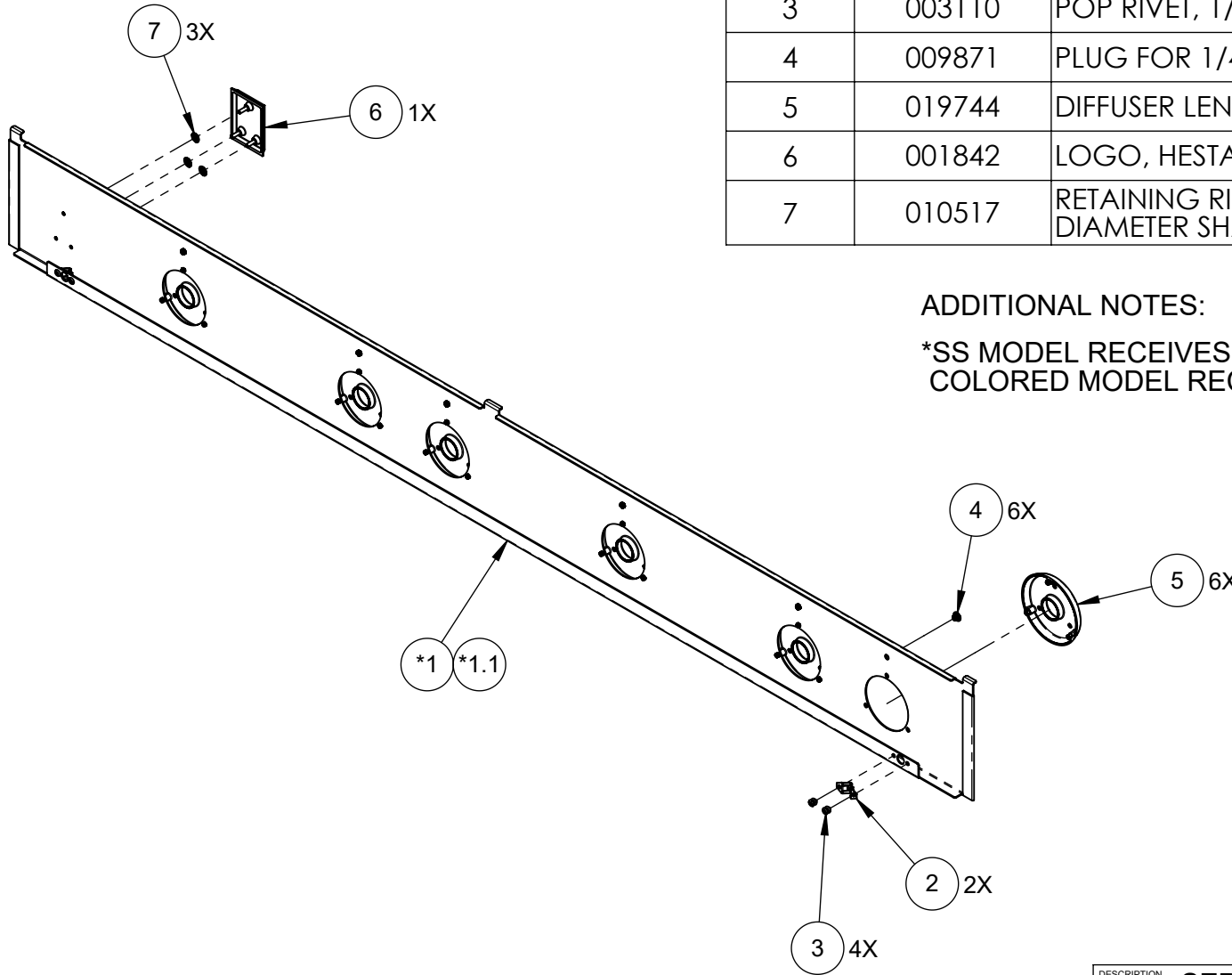
ITEM NO.	PART NUMBER	DESCRIPTION	QTY.
1	018170	KNOB ASSEMBLY, MAIN BURNER, RESIDENTIAL INDOOR	4
2	018378	KNOB ASSEMBLY, SINGLE FLOW, RESIDENTIAL INDOOR	1
3	027474	KNOB ASSEMBLY, GRIDDLE TEMP, GAS, RESIDENTIAL INDOOR	1
4	017612	LED MODULE, KNOB LIGHTING	6
5	011857	SERVICE, MS, 8-32 X .375, PH, PAN, SS, PKG 6	1
6	018251	GRATE ASSEMBLY, DUAL, RESIDENTIAL INDOOR	2
7	018319	GRATE ASSEMBLY, SINGLE, RESIDENTIAL INDOOR	1
8	025945	SERVICE, GRATE, FOOTPAD, PKG 4	1
9	018064	DRIP PAN, 365 RANGETOP	1
10	024305	SERVICE, MS, M4 X 5MM, PH, PAN, SS, PKG 6	1
11	028052	COVER, GRIDDLE, ASSY, RESIDENTIAL INDOOR - 12 GAS	1
12	027460	GRIDDLE PLATE, RESIDENTIAL INDOOR, WA - 12	1
13	018638-BK	GREASE TRAY, GRIDDLE, RESIDENTIAL INDOOR, TEFLON COATED	1
14	024263	SERVICE, SMS, #10-24 X .50, HEXWSH, TYPE F, SS, PKG 10	1
15	032596	SERVICE, SMS, #8 X 3/8, SLOT, HEXWSH, SS, PKG 6	1
16	025100	IGNITER, HOT SURFACE, 3.2 TO 3.6 AMP	1
17	026849	COVER, TRAY, BURNER, INDOOR RESIDENTIAL	1
18	002513	ELBOW, ORIFICE, IR BURNER	1
19	008280	NUT, PANEL, 3/8" NPS	1
20	002865-050	ORIFICE, SPUD, #50 - NG	1
	002865-056	ORIFICE, SPUD, #56 - LP	1
21	027496	FRONT, FIREBOX, GRIDDLE, WA	1
22	026719	BURNER, INFRARED, GRIDDLE, RESIDENTIAL INDOOR	1
23	018882	REGULATOR, STRAIGHT-THRU, 1/2"NPT, CONVERTIBLE, DD-RV48 (5"/10"W.c.)	1
	021649	REGULATOR, STRAIGHT-THRU, 1/2"NPT, CONVERTIBLE, DD-RV48, 5/10, CONVERTED TO LP	1
24	007508	ELBOW, 1/2 FNPT X 1/2 MNPT, 90 DEG	1
25	020677	HOSE, FLEX, 5/8OD X 1/2MIP X 3/4MIP W/ BRACKET, 8"	1
26	024260	SERVICE, MS, 10-24 X 1/2, HEX HD W/ LOCK WASHER, ZN, PKG 10	1
27	011715	SERVICE, NUT, KEPS, 1/4-20, ZN, PKG 4	1
*28	036235-XX	SERVICE, ASSY, CONTROL PANEL INSERT, 485GD RANGETOP	1
29	026236	WIRING DIAGRAM, 485GD RANGETOP	1
30	035090-012	SERVICE, HOSE, FLEX, 3/8 OD, F-M, NUT/FERRULE TO LOXIT - 12"	1
31	035090-030	SERVICE, HOSE, FLEX, 3/8 OD, F-M, NUT/FERRULE TO LOXIT - 30"	1


HESTAN
 All warranty and non-warranty repairs should be performed by qualified service personnel. To locate an authorized service agent, contact your Hestan dealer, local representative, or the manufacturer. Before you call, please have the model number and serial number information ready.
 Hestan Commercial Corp.
 (888) 905-7463



*** SEE SHEET 1 FOR ITEM # 28**

ITEM NO.	PART NUMBER	DESCRIPTION	QTY.
*1	025358	INSERT, CONTROL PANEL, 485-GD RANGETOP	1
*1.1	025358-XX	INSERT, CONTROL PANEL, 485GD RANGETOP - (COLOR)	1
2	000852	RECEPTACLE, BALL STUD, 18LB PULL, ZN, C1663-028-3B	2
3	003110	POP RIVET, 1/8DIA X .275L, SS	4
4	009871	PLUG FOR 1/4-20 SHCS, CHROME	6
5	019744	DIFFUSER LENS, PRESS FIT	6
6	001842	LOGO, HESTAN, 2.125 x 1.56	1
7	010517	RETAINING RING, EXTERNAL, .125" DIAMETER SHAFT	3



ADDITIONAL NOTES:

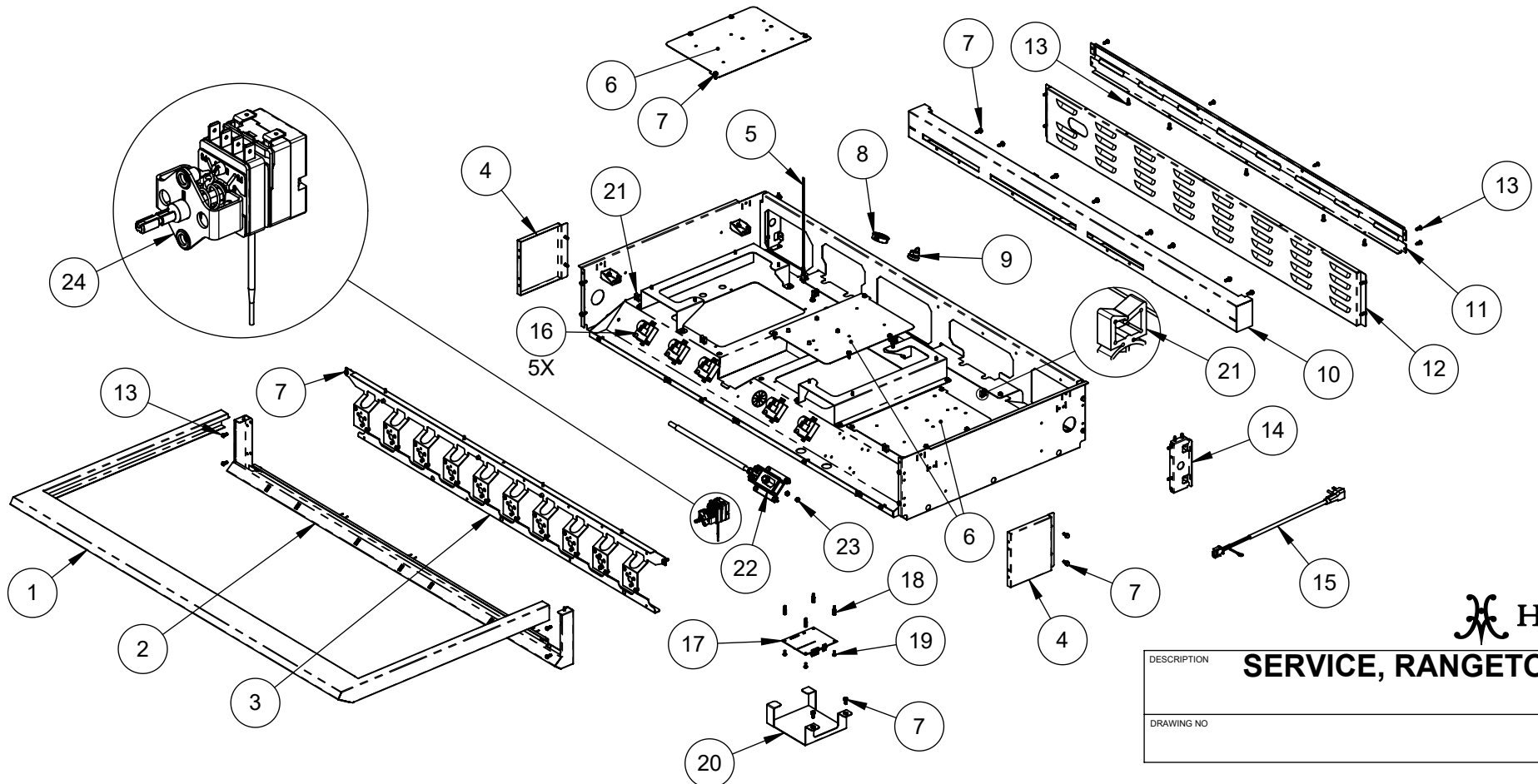
*SS MODEL RECEIVES ITEM 1
 COLORED MODEL RECEIVES 1.1



DESCRIPTION	SERVICE, ASSY, CONTROL PANEL INSERT, 485GD RANGETOP
DRAWING NO	A1

ITEM NO.	PART NO.	DESCRIPTION	QTY.
1	019464	BULLNOSE, RANGETOP, WA - 48	1
2	019468-1	CONTROL PANEL, CHIN, ASSY - 485	1
3	023359	CROSSMEMBER, FRONT, FRAME, RANGETOP - 48	1
4	019608	COVER, SIDE, RANGETOP, RESIDENTIAL INDOOR	2
5	026363	HARNESS, WIRE, RANGETOP/RANGE, 485GD	1
6	019412	COVER, OVEN ACCESS, RANGETOP	3
7	024263	SERVICE, SMS, #10-24 X .50, HEXWSH, TYPE F, SS, PKG 10	1
8	018393	SNAP BUSHING, 1.06" MAX ID, BLACK	2
9	005862	STRAIN RELIEF, SNAP-IN, 3/4" KNOCKOUT	1
10	033019	RISER, ISLAND, INNER SIDE MOUNT, RESIDENTIAL INDOOR - 48	1
11	019728	COVER, RISER, ISLAND, RESIDENTIAL INDOOR - 48	1
12	019734	REAR COVER, 48" RANGETOP	1

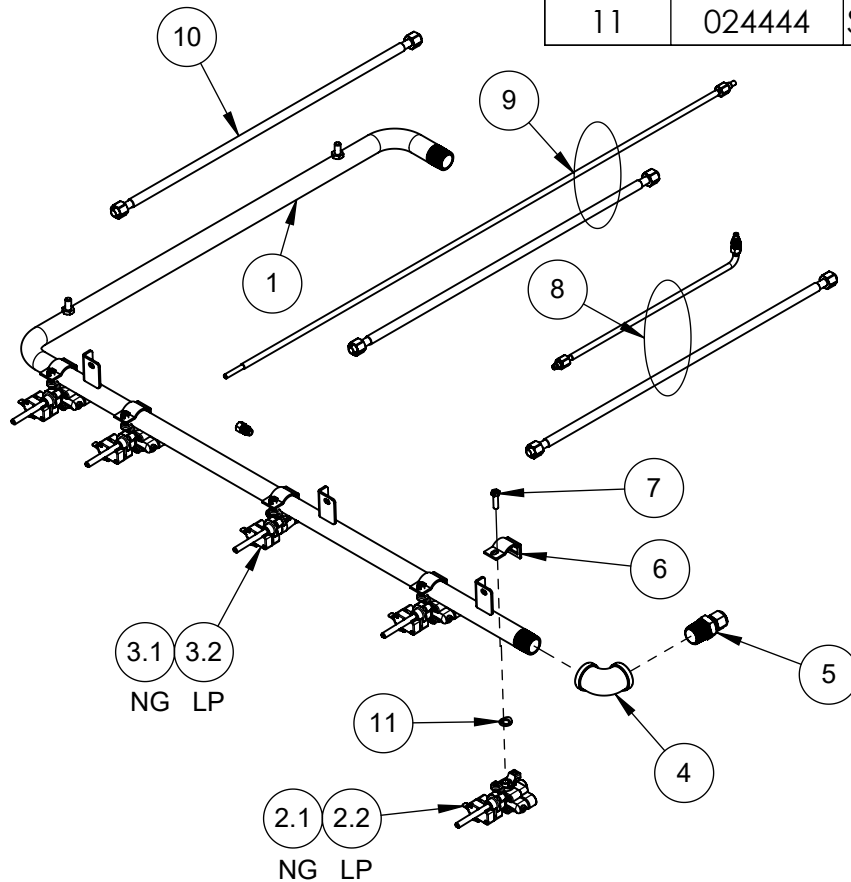
13	010242	SERVICE, SMS, #10-24 X 1/2, PH, PAN, TYPE F, SS, PKG 10	1
14	032936	BRACKET, MOUNTING, RISER, REAR ACCESS, RANGETOP	2
15	019868	CORD, POWER, 4 FT, 3/14 AWG, SJTW	1
16	032028	MODULE, RE-IGNITER, SINGLE POINT, RI 120F-1, 120V, 3mA	5
17	019678	LED DRIVER / ISOLATOR BOARD	1
18	024507	SERVICE, STANDOFF, MALE-FEMALE, 1/2"L, #8-32, PKG. 4	1
19	011857	SERVICE, MS, 8-32 X .375, PH, PAN, SS, PKG 6	1
20	020762	GUARD, ISOLATOR BOARD	1
21	033830	SERVICE, CABLE HOLDER, PUSH IN, 3/8" DIAMETER, PKG. 6	1
22	028060	GAS ASSY, GRIDDLE, 12	1
23	011711	SERVICE, NUT, KEPS, #8-32, SS, PKG 6	1
24	019530-S	SERVICE, THERMOSTAT ASSEMBLY, GRIDDLE, RESIDENTIAL INDOOR	1



HESTAN

DESCRIPTION **SERVICE, RANGETOP ASSY, 485GD**
DRAWING NO **A2**

ITEM NO.	PART NO.	DESCRIPTION	QTY.
1	026080	MANIFOLD, INDOOR, 485 RANGETOP	1
2.1	031680	VALVE, DUAL FLOW, RESIDENTIAL INDOOR - NG	4
2.2	031681	VALVE, DUAL FLOW, RESIDENTIAL INDOOR - LP	4
3.1	031683	VALVE, SINGLE FLOW, RESIDENTIAL INDOOR - NG	1
3.2	031685	VALVE, SINGLE FLOW, RESIDENTIAL INDOOR - LP	1
4	009279	ELBOW, 1/2 NPT	1
5	002934	ADAPTER, STRAIGHT, 1/2 NPT X 3/8" CC	1
6	018077	CLAMP, GAS VALVE, RESIDENTIAL INDOOR	5
7	024259	SERVICE, MS, M5 X 0.8 X 18, HEXHD, SS, PKG 5	1
8	021578-1	HOSE KIT, DUAL FLOW, RESIDENTIAL INDOOR - FRONT	2
9	021578-2	HOSE KIT, DUAL FLOW, RESIDENTIAL INDOOR - REAR	2
10	021582	HOSE, FLEX, 5/16 OD, 18", F-F, NUT/FERRULE	1
11	024444	SERVICE, GASKET, VALVE, SADDLE MOUNT, PKG 6	1



HESTAN

**SERVICE, MANIFOLD
ASSEMBLY, 485GD**

DESCRIPTION

DRAWING NO

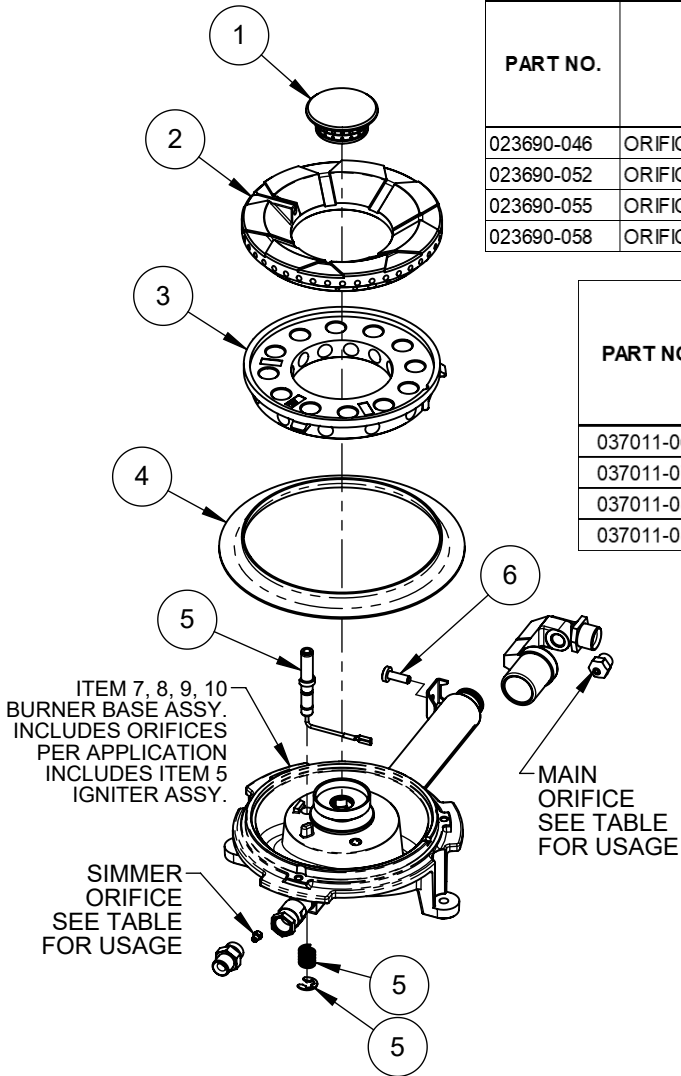
A3

REF. 036321

PART NO.	SIMMER ORIFICES	Z (IN)	Z (MM)	STAMP	COLOR CODE	15.5k Dual Flow BURNER		23k Dual Flow BURNER	
						NG	LP	NG	LP
023698-073	ORIFICE, SIMMER, DUAL FLOW BURNER, INDOOR, #73	0.024	0.61	V	BLACK	X		X	
023698-078	ORIFICE, SIMMER, DUAL FLOW BURNER, INDOOR, #78	0.016	0.41	T	RED		X		X

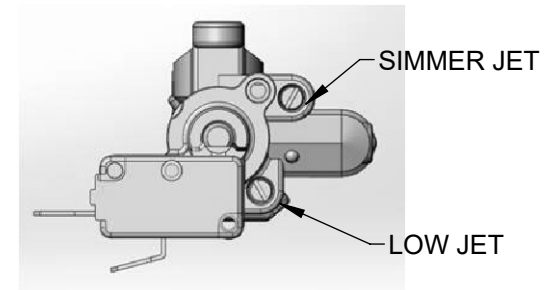
PART NO.	MAIN ORIFICES	Z (IN)	Z (MM)	STAMP	COLOR CODE	15.5k Dual Flow BURNER		23k Dual Flow BURNER	
						NG	LP	NG	LP
023690-046	ORIFICE, MAIN, DUAL FLOW BURNER, INDOOR, #46	0.081	2.05	-	YELLOW, BLACK			X	
023690-052	ORIFICE, MAIN, DUAL FLOW BURNER, INDOOR, #52	0.064	1.60	-	WHITE, BLACK	X			
023690-055	ORIFICE, MAIN, DUAL FLOW BURNER, INDOOR, #55	0.052	1.32	-	YELLOW, RED				X
023690-058	ORIFICE, MAIN, DUAL FLOW BURNER, INDOOR, #58	0.042	1.07	-	WHITE, RED		X		

PART NO.	VALVE ORIFICES (JETS)	Z (IN)	Z (MM)	COLOR CODE (COPRECI)	COLOR CODE (ISPHORDING)	Dual Flow VALVE Low Orifice		Dual Flow VALVE Simmer Orifice	
						NG	LP	NG	LP
037011-065	KIT, ORIFICE, VALVE, INDOOR, #65	0.035	0.88	-	BLACK	X			
037011-073	KIT, ORIFICE, VALVE, INDOOR, #73	0.024	0.61	-	RED		X		
037011-080	KIT, ORIFICE, VALVE, INDOOR, #80	0.0135	0.34	-	YELLOW			X	
037011-087	KIT, ORIFICE, VALVE, INDOOR, #87	0.010	0.25	-	WHITE				X



DUAL BURNER ASSY.

ITEM NO.	PART NO.	DESCRIPTION	QTY.
1	018436	D-INNER BURNER HEAD, DUAL FLOW, RESIDENTIAL INDOOR	1
2	018419	D-DUAL BURNER HEAD, DUAL FLOW, RESIDENTIAL INDOOR	1
3	018418	D-CROSS RING, DUAL FLOW, RESIDENTIAL INDOOR	1
4	018421	D-BEAUTY RING, DUAL FLOW, RESIDENTIAL INDOOR	1
5	024189	SERVICE, IGNITOR KIT, DUAL FLOW BURNER	1
6	024244	SERVICE, MS, M4 X 12, SEALED BURNER, PKG 4	1
7	020399	BURNER BASE ASSY, DUAL FLOW, 23K - NG	2
8	020401	BURNER BASE ASSY, DUAL FLOW, 23K - LP	2
9	020400	BURNER BASE ASSY, DUAL FLOW, 15.5K - NG	2
10	020402	BURNER BASE ASSY, DUAL FLOW, 15.5K - LP	2



HESTAN

SERVICE, DUAL FLOW BURNER ASSY.

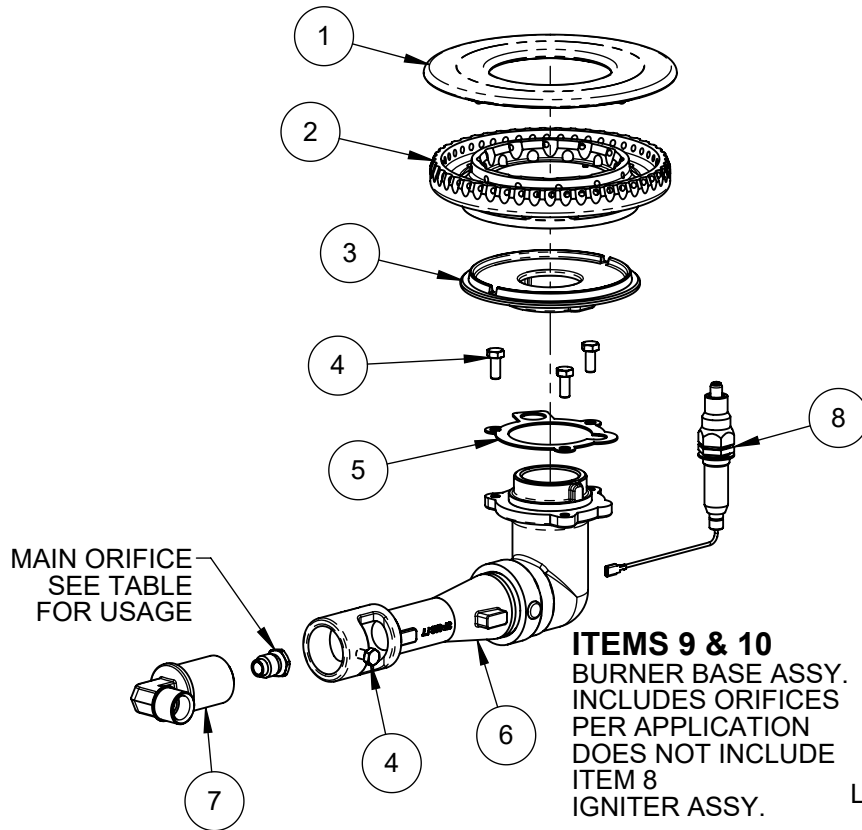
A4

DESCRIPTION

DRAWING NO

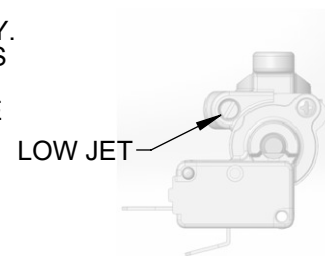
PART NO.	MAIN ORIFICES	Z (IN)	Z (MM)	STAMP	COLOR CODE	30k Single Flow BURNER	
						NG	LP
002039	ORIFICE, MAIN, SINGLE FLOW BURNER, #42, NG	0.0935	2.375	42	-	X	
004925	ORIFICE, MAIN, SINGLE FLOW BURNER, #54, LP	0.055	1.397	54	-		X

PART NO.	VALVE ORIFICES (JETS)	Z (IN)	Z (MM)	COLOR CODE (COPRECI)	COLOR CODE (ISPHORDING)	Single Flow VALVE Low Orifice	
						NG	LP
037011-062	KIT, ORIFICE, VALVE, INDOOR, #62	0.038	0.97	-	ORANGE	X	
037011-073	KIT, ORIFICE, VALVE, INDOOR, #73	0.024	0.61	-	RED		X



SINGLE-FLOW BURNER ASSY.

ITEM NO.	PART NO.	DESCRIPTION	QTY.
1	002058	BURNER RING, SEALED BURNER, SF	1
2	002055	HEAD, BURNER, SEALED BURNER, SF	1
3	002057	BURNER BASE, SEALED BURNER, SF	1
4	014390	SERVICE, SCREW, MOUNTING, M5X12, SEALED BURNER, PKG 4	1
5	002056	GASKET, MAIN, SEALED BURNER, SF	1
6	010662	ELBOW, SINGLE FLOW, FRONT, ASSY	1
7	002048	JET HOLDER, MAIN, SEALED BURNER, SF/DF	1
8	024190	SERVICE, IGNITER KIT, SEALED BURNER, SINGLE FLOW	1
9	028517	BURNER BASE ASSY, SINGLE FLOW, SEALED BURNER - NG	1
10	028518	BURNER BASE ASSY, SINGLE FLOW, SEALED BURNER - LP	1



SINGLE-FLOW VALVE

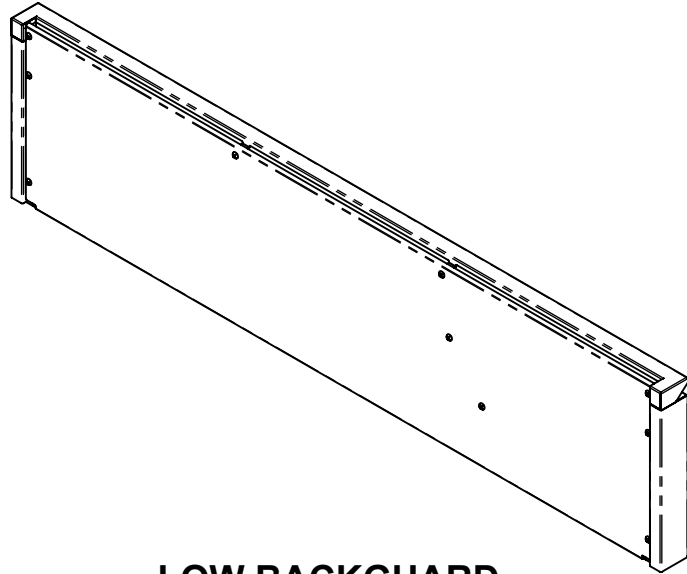
HESTAN

**SERVICE, SINGLE FLOW
BURNER ASSY.**

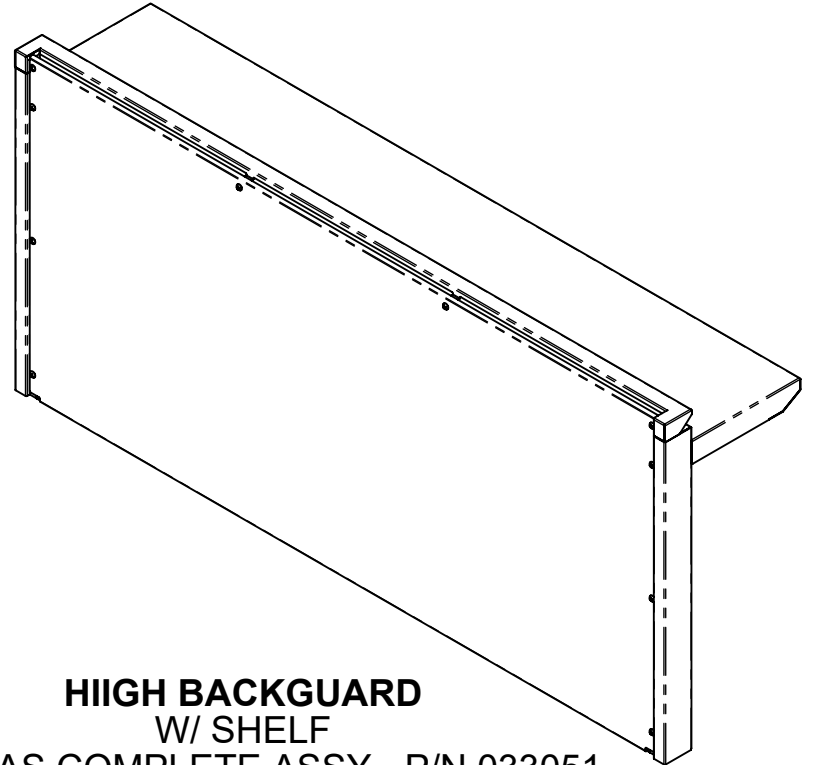
DESCRIPTION

DRAWING NO

A5



LOW BACKGUARD
SOLD AS COMPLETE ASSY - P/N 033032
(**KBGLB48**)

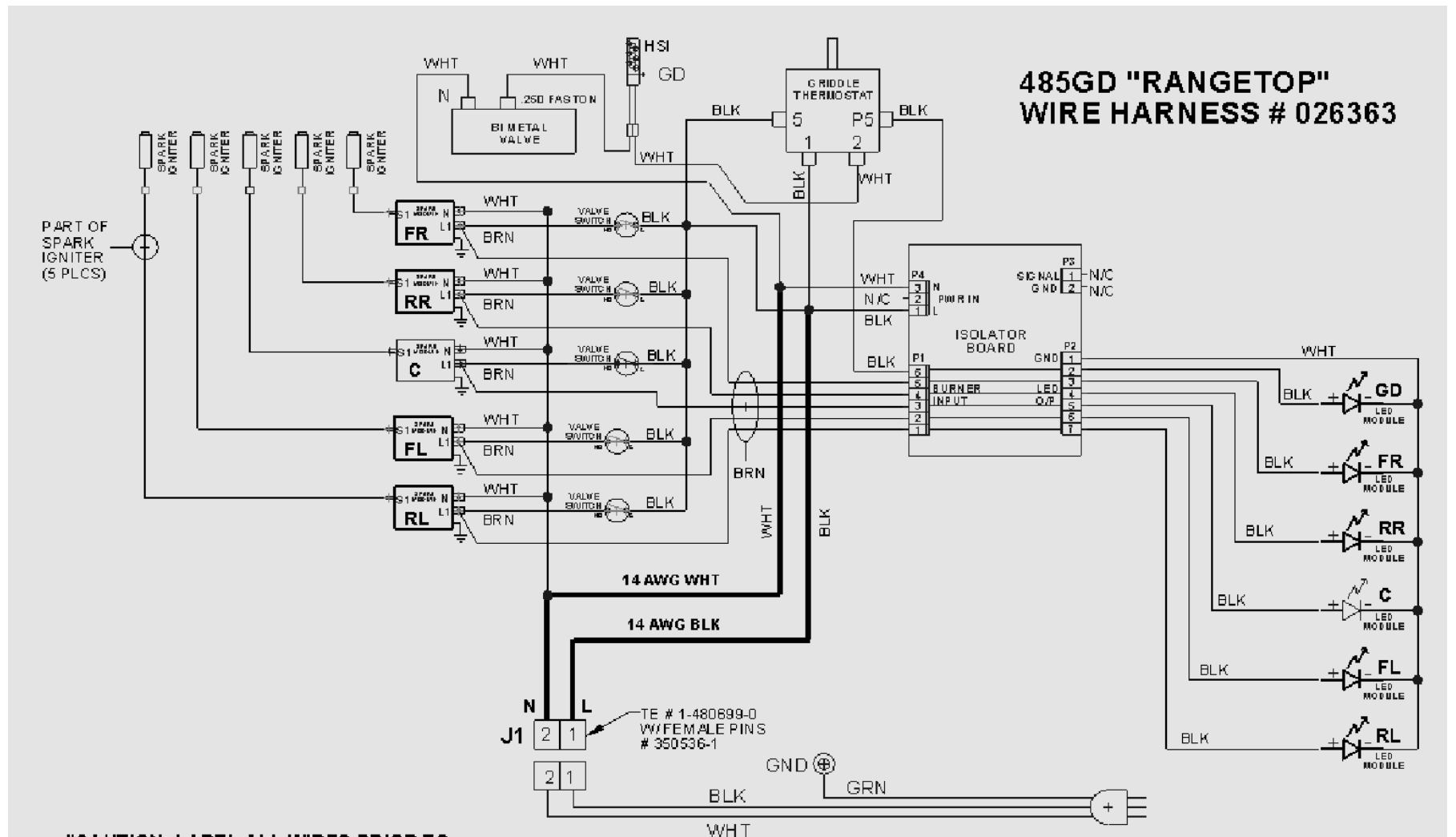


HIIGH BACKGUARD
W/ SHELF
SOLD AS COMPLETE ASSY - P/N 033051
(**KBGHS48**)
OR SHELF ONLY - P/N 020304

 **HESTAN**

DESCRIPTION	SERVICE, OTHER BACKGUARDS - 48"
DRAWING NO	A6

485GD "RANGETOP" WIRE HARNESS # 026363



**"CAUTION: LABEL ALL WIRES PRIOR TO DISCONNECTION WHEN SERVICING CONTROLS. WIRING ERRORS CAN CAUSE IMPROPER AND DANGEROUS OPERATION."
"VERIFY PROPER OPERATION AFTER SERVICING."**

NOTE: UNLESS SPECIFIED OTHERWISE, ALL WIRES TO BE 18GA, 600V, 150°C

**WIRING DIAGRAM, 485GD RANGETOP
026236**



PROPRIETARY
NO PART OF THIS DOCUMENT MAY BE REPRODUCED, STORED IN A RETRIEVAL SYSTEM, OR TRANSMITTED IN ANY FORM, WITHOUT THE WRITTEN PERMISSION OF Hestan Commercial Corporation. THIS DOCUMENT OR ANY COPIES SHALL BE RETURNED UPON WRITTEN REQUEST.

DESCRIPTION
SERVICE, RANGETOP ASSY, 485GD

DRAWING NO
KRT485GD-SERVICE

REVISION
B

SHEET NO.
10 OF 10