



INDOOR COOKING

Rangetop
KRT

Smart Rangetop
KRTS

Installation Manual

 HESTAN

HESTAN CUE™



WARNING

IF THE INFORMATION IN THIS MANUAL IS NOT FOLLOWED EXACTLY, A FIRE OR EXPLOSION MAY RESULT CAUSING PROPERTY DAMAGE, PERSONAL INJURY, OR DEATH.

Do not store or use gasoline or other flammable vapors and liquids in the vicinity of this or any other appliance.

WHAT TO DO IF YOU SMELL GAS:

1. Do not try and light any appliance.
2. Do not touch any electrical switch.
3. Do not use any phone in your building.
4. Immediately call your gas supplier from a neighbor's phone. Follow the gas supplier's instructions.
5. If you cannot reach your gas supplier, call the fire department.

Installation and service must be performed by a qualified installer, service agency, or the gas supplier.

READ THESE INSTRUCTIONS CAREFULLY AND COMPLETELY BEFORE INSTALLING OR USING YOUR APPLIANCE TO REDUCE THE RISK OF FIRE, BURN HAZARD, OR OTHER INJURY. KEEP THIS MANUAL FOR FUTURE REFERENCE.

SAFETY DEFINITIONS

WARNING

THIS INDICATES THAT DEATH OR SERIOUS INJURY MAY OCCUR AS A RESULT OF NOT OBSERVING THIS WARNING.

CAUTION

THIS INDICATES THAT MINOR OR MODERATE INJURY MAY OCCUR AS A RESULT OF NOT OBSERVING THIS WARNING.

NOTICE

THIS INDICATES THAT DAMAGE TO THE APPLIANCE OR PROPERTY MAY OCCUR AS A RESULT OF NOT OBSERVING THIS WARNING.

INSTALLER: LEAVE THIS MANUAL WITH THE OWNER OF THE APPLIANCE.
HOMEOWNER: RETAIN THIS MANUAL FOR FUTURE REFERENCE.

TABLE OF CONTENTS

1	SAFETY PRECAUTIONS - BEFORE YOU BEGIN
2	MODEL NUMBERS
3	RATING LABEL
3	REGULATORY / CODE REQUIREMENTS
3	LOCATION AND INSTALLATION / VENTILATION
7	BACKGUARD AND ACCESSORIES
8	ELECTRICAL CONNECTIONS
8	GAS CONNECTION
10	FINAL SETUP
12	SERVICE
12	APPENDIX

SAFETY PRECAUTIONS - BEFORE YOU BEGIN

When properly cared for, your Hestan appliance will provide safe, reliable service for many years. When using this appliance, basic safety practices must be followed as outlined below.

IMPORTANT: Save these instructions for the local Gas or Utility Inspector's use.

INSTALLER: Please leave these Installation Instructions with the owner.

OWNER: Please retain these Installation Instructions for future reference.

This rangetop is **NOT** designed for installation in manufactured (mobile) homes or recreational park trailers. Do **NOT** install this rangetop outdoors.

WARNING

ELECTRICAL SHOCK HAZARD

Disconnect power before installing or servicing appliance. Before turning power ON, be sure all controls are in the OFF position. Failure to do so can result in electrical shock or death.

ELECTRICAL GROUNDING

This appliance must be grounded. Grounding reduces the risk of electric shock in the event of a short circuit. Read the **ELECTRICAL CONNECTIONS** section of this manual for complete instructions.

This appliance is equipped with a 3-prong grounding plug for your protection against shock hazard and should be directly plugged into a properly grounded receptacle. Do not cut or remove the grounding prong from this plug.

ELECTRICAL SUPPLY

The appliance must be on its own dedicated circuit - 120 VAC, Single Phase, 60 Hz, with a current rating of 15 Amps. Have the installer show you where the electric circuit breaker is located so you know how to shut off the power to this appliance. It is the responsibility of the user to have the appliance connected by a licensed electrician in accordance with all local codes, or in the absence of local codes, in accordance with the National Electrical Code. Read the **ELECTRICAL CONNECTIONS** section of this manual for complete details.

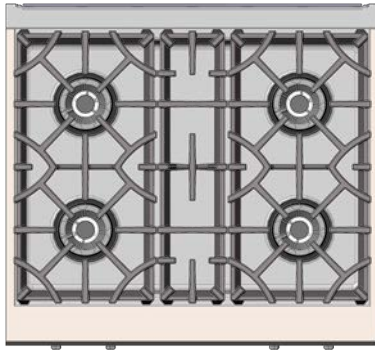


MODEL NUMBERS

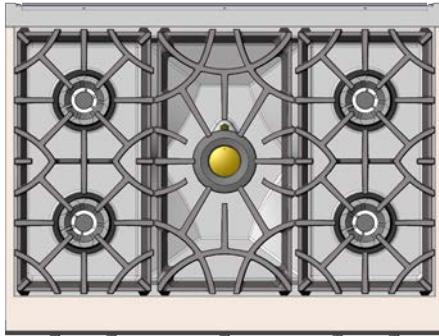
RANGETOP MODELS

EN

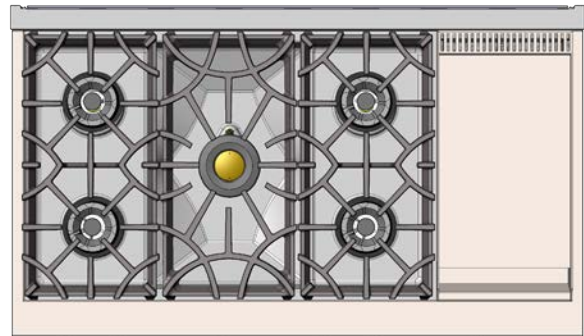
MODEL NO.	DESCRIPTION	CIRCUIT BREAKER REQUIRED
KRT304-NG / -LP	30" RANGETOP WITH 4 BURNERS	15 Amp
KRT365-NG / -LP	36" RANGETOP WITH 5 BURNERS	15 Amp
KRTS365-NG / -LP	36" RANGETOP WITH 4 BURNERS + 1 SMART BURNER™	15 Amp
KRT364GD-NG / -LP	36" RANGETOP WITH 4 BURNERS & GRIDDLE	15 Amp
KRT485GD-NG / -LP	48" RANGETOP WITH 5 BURNERS & 12" GRIDDLE	15 Amp
KRT484GD-NG / -LP	48" RANGETOP WITH 4 BURNERS & 24" GRIDDLE	15 Amp



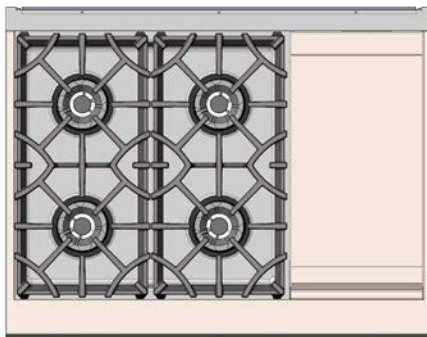
KRT304



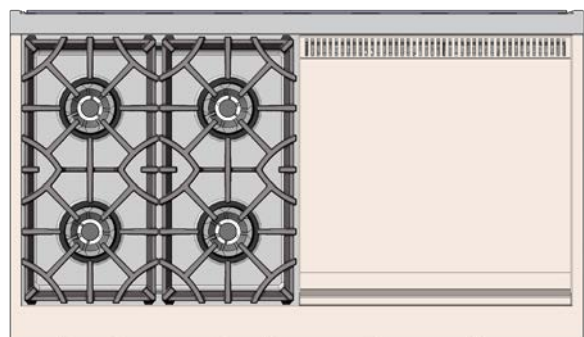
KRT365/KRTS365



KRT485GD



KRT364GD



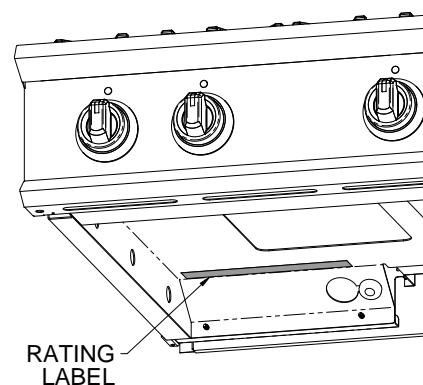
KRT484GD

RATING LABEL

The rating label contains important information about your Hestan appliance such as the model and serial number, gas type and manifold pressure, electrical rating, the BTU rating for each burner type, and the minimum installation clearances.

The rating label is located underneath the unit.

If service is necessary, contact Hestan Customer Care with the model and serial number information shown on the label.



HESTAN COMMERCIAL CORP. ANAHEIM, CA - USA		MODEL / MODELE		SER. NO. / NO. SER.		PATENTED: http://www.hestanhome.com/patents.pdf	
VOLTS Hz 60		BURNER RATINGS (BTU/HOUR)				MIN. CLEARANCES (DÉGAGEMENTS)	
OUTLET PRESSURE (PRESSION SORTIE)		FRONT BURNER (BRÛLEUR AVANT)	CENTER BURNER (BRÛLEUR CENTRE)	REAR BURNER (BRÛLEUR ARRIÈRE)	SPICILE PLAZE (CHAUFRAS)		CONFORMS TO AND STD 21-1-2016 - CSA 1.1-2016 HOUSEHOLD COOKING GAS APPLIANCE CONFORME À LA NORME AND 21-1-2016 - CSA 1.1-2016 APPAREIL ÉLECTROMÉNAGER DE CUISISON AU GAZ
PHASE 1	INCH WC MPA				BACK CLEARANCE 12"	TOP CLEARANCE 0"	VENTED UNIT - SEE INSTALLATION MANUAL UNITÉ VENTILÉE - VOIR LE MANUEL D'INSTALLATION
AMPS							

REGULATORY / CODE REQUIREMENTS

Installation of this cooking appliance must be made in accordance with local codes. In the absence of local codes, this unit should be installed in accordance with the National Fuel Gas Code *ANSI Z223.1/NFPA 54*, Natural Gas and Propane Installation code *CSA B149.1*, or Propane Storage and Handling Code *B149.2*.

All Electrical Components must be electrically grounded in accordance with local codes or in the absence of local codes with the National Electrical Code *ANSI/NFPA 70*, or Canadian Electrical code *CSA C22.1*.

STATE OF MASSACHUSETTS

Massachusetts requires all gas be installed using a plumber or gas fitter carrying the appropriate Massachusetts license. All permanently installed natural gas or propane installations require a T handle type manual gas valve be installed in the gas supply line to this appliance. Flexible gas connector must not be longer than 36" [91.4 cm].

CALIFORNIA PROPOSITION 65 - WARNING



WARNING This product can expose you to chemicals including carbon monoxide, which is known to the State of California to cause birth defects or other reproductive harm. For more information, go to www.P65Warnings.ca.gov.

LOCATION AND INSTALLATION / VENTILATION

UNPACKING AND PLACEMENT

Remove the outer carton and packing materials. Do not remove the plastic film covering the stainless-steel surfaces. This film protects the finish from scratches until the appliance is installed in its final position.

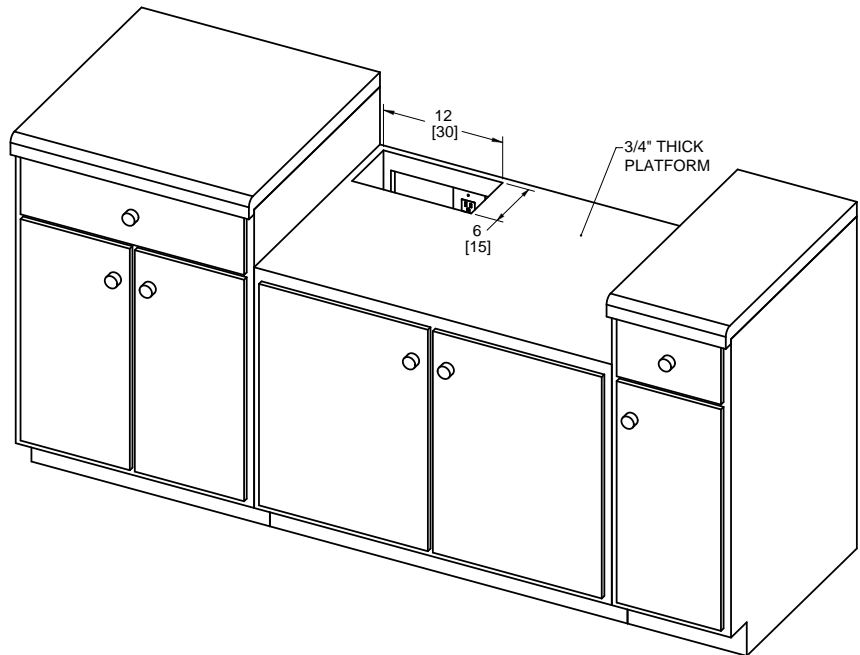
The unit is somewhat heavy and should be handled with care. Use proper safety equipment, such as gloves, and at least 2 persons to move the appliance into position to avoid injury and to avoid damage to the floor or the appliance itself.

LOCATION AND INSTALLATION/VENTILATION (CONTINUED)

PREPARATION

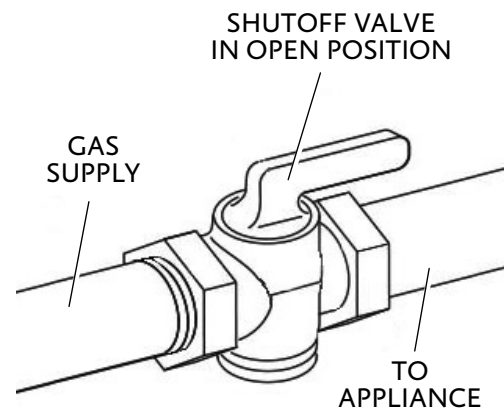
Before moving the rangetop, remove the grates, burner caps, and any other loose items.

The rangetop must be mounted on a stable platform, as illustrated here and on the following pages. The platform must include a 6" x 12" [15 x 30 cm] cutout at the left rear to allow for the gas and electrical connections. The platform must also be level to ensure an even cooking surface, especially for those models featuring a griddle. The platform should be a minimum of 3/4" [19 cm] thick to support the weight of the unit. For large units 48" [1.2m] and wider, a center structural element inside the cabinet, under the platform, may be necessary.



GAS AND ELECTRICAL SUPPLY CLEARANCES

If not already in place, install a gas shut-off valve in an easily accessible location for servicing of the rangetop. Make sure all users of the rangetop know where this shut-off is located, and how to shut off the gas. Any openings in the wall or floor behind the appliance must be sealed. The Installation Clearances on the following pages show where the "G" and "E" zones should be located.



CABINETS

To eliminate the risk of burns or fire by reaching over heated surface units, cabinet storage space located above the surface units should be avoided. If cabinet storage is to be provided, the risk can be reduced by installing the required vent hood that projects horizontally a minimum of 5" [12.7 cm] beyond the bottom of the cabinets.

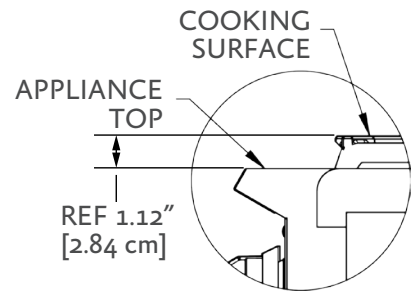
LOCATION AND INSTALLATION/VENTILATION (CONTINUED)

LEVELING

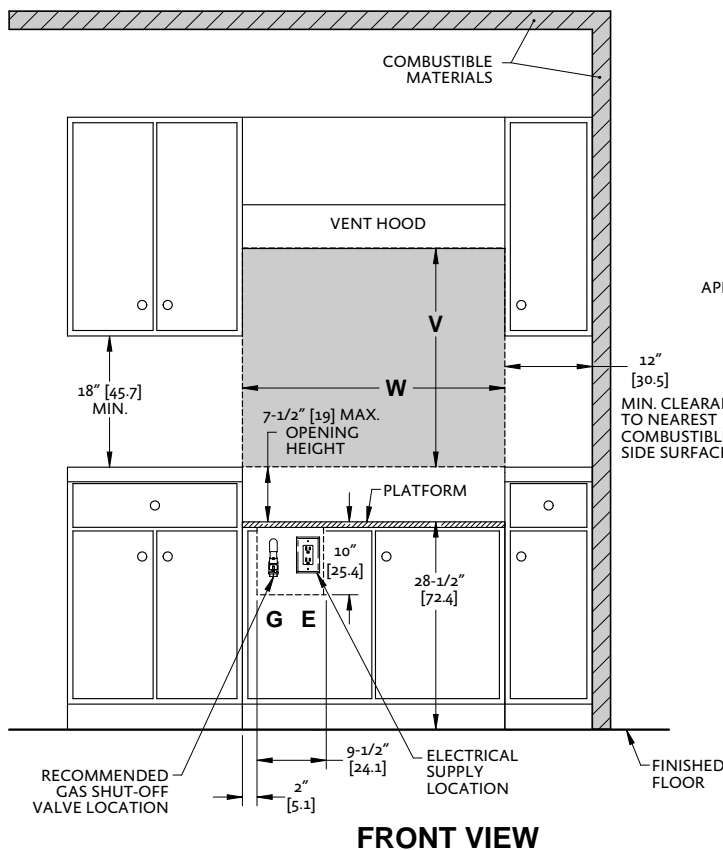
The rangetop must be level, especially those models featuring a griddle. Raise to the desired height by placing shims underneath the unit as needed.

CAUTION

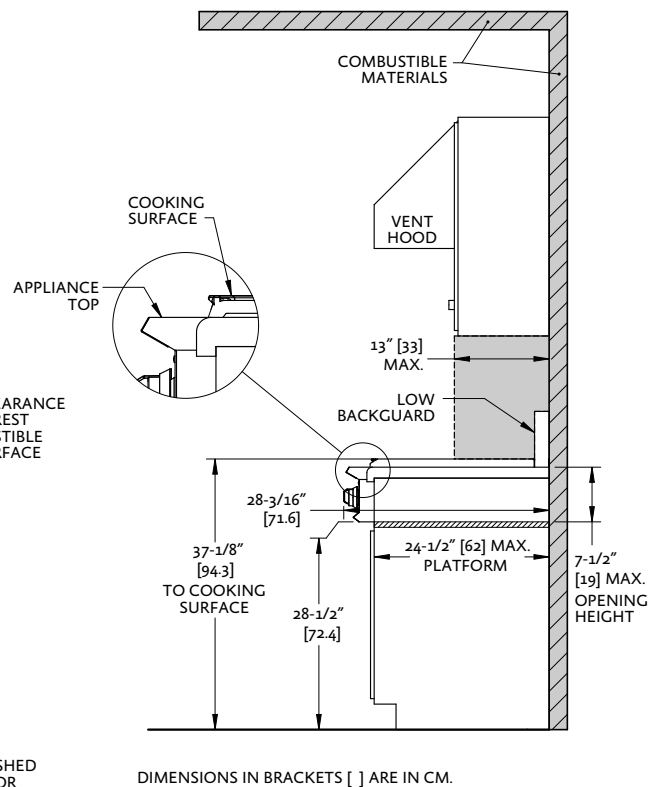
The appliance top must be level or higher than the adjacent countertop surfaces. Failure to adjust the height may expose the adjacent cabinets to excessive heat which may damage the cabinets or countertop.



INSTALLATION CLEARANCES WITH LOW BACKGUARD



FRONT VIEW



DIMENSIONS IN BRACKETS [] ARE IN CM.

SIDE VIEW

NOTES:

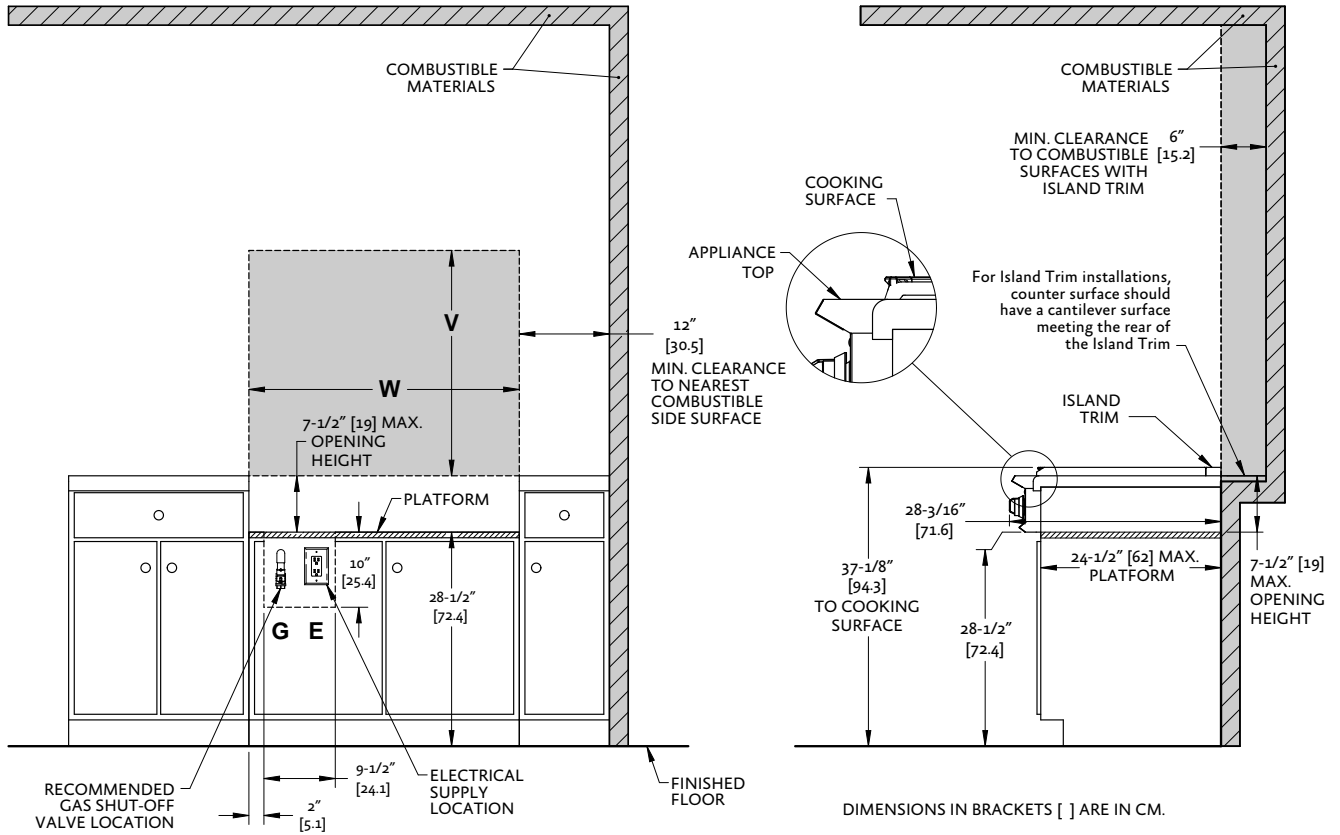
- * SHADED AREAS INDICATE WHERE COMBUSTIBLE MATERIALS ARE NOT ALLOWED.
- * APPLIANCE TOP MUST BE LEVEL OR HIGHER THAN THE ADJACENT COUNTERTOP SURFACES.
- * "G" IS GAS CONNECTION ZONE ON REAR WALL. MOUNT SHUT-OFF VALVE AS HIGH AS POSSIBLE IN THIS ZONE FOR EASY ACCESS WHEN RANGETOP IS INSTALLED.
- * "E" IS ELECTRICAL SUPPLY ZONE.
- * "W" IS APPLIANCE OPENING.
- * "V" IS MIN. CLEARANCE TO REQUIRED VENTILATION HOOD.

RANGETOP MODEL	W	V (MIN)
KRT304	30" [76.2]	30" [76.2]
KRT365/KRTS365	36" [91.4]	30" [76.2]
KRT364GD	36" [91.4]	30" [76.2]
KRT485GD	48" [121.9]	30" [76.2]
KRT484GD	48" [121.9]	30" [76.2]

LOCATION AND INSTALLATION/VENTILATION (CONTINUED)

EN

INSTALLATION CLEARANCES WITH ISLAND TRIM



FRONT VIEW

SIDE VIEW

NOTES:

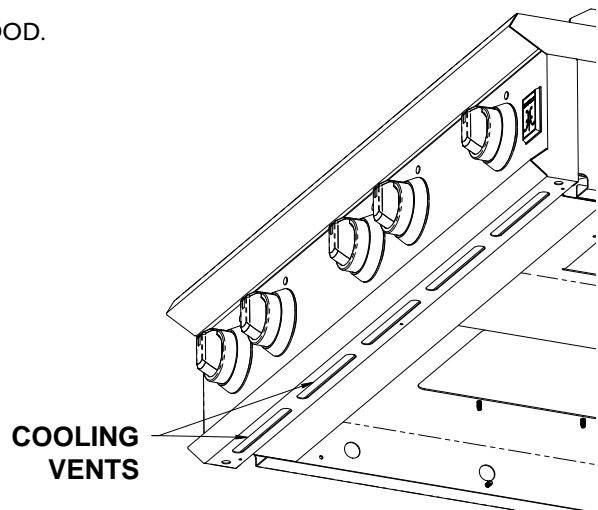
- * SHADED AREAS INDICATE WHERE COMBUSTIBLE MATERIALS ARE NOT ALLOWED.
- * APPLIANCE TOP MUST BE LEVEL OR HIGHER THAN THE ADJACENT COUNTERTOP SURFACES.
- * "C" IS GAS CONNECTION ZONE ON REAR WALL. MOUNT SHUT-OFF VALVE AS HIGH AS POSSIBLE IN THIS ZONE FOR EASY ACCESS WHEN RANGETOP IS INSTALLED.
- * "E" IS ELECTRICAL SUPPLY ZONE.
- * "W" IS APPLIANCE OPENING.
- * "V" IS MIN. CLEARANCE TO REQUIRED VENTILATION HOOD.

RANGETOP MODEL	W	V (MIN)
KRT304	30" [76.2]	30" [76.2]
KRT365/KRTS365	36" [91.4]	30" [76.2]
KRT364GD	36" [91.4]	30" [76.2]
KRT485GD	48" [121.9]	30" [76.2]
KRT484GD	48" [121.9]	30" [76.2]

FRONT COOLING VENTS

NOTICE

When placing your rangetop in the cabinet, DO NOT BLOCK or obstruct the front cooling vents shown. These vents allow air into the appliance to keep the internal electronic parts cool.



LOCATION AND INSTALLATION/VENTILATION *(CONTINUED)*

VENTILATION REQUIREMENTS

A vent hood is **REQUIRED** above this appliance. It is strongly recommended that this appliance be installed with a Hestan vent hood. Due to the high heat output of this rangetop, it is very important that the hood and ductwork installation meets local building codes and is installed by a qualified technician.

Do not use a down-draft style ventilation system.

Do not mount a microwave oven/ventilator combination above the rangetop. These type of units do not have sufficient airflow to remove the high heat output of this rangetop and were not tested with this type of appliance.

For non-Hestan approved vent hoods, the vent hood and/or blower unit must be rated for 1 CFM [1.7 m³/hr] for every 100 BTU [.03 kW].

- If the rangetop has a 12" Griddle, add an additional 200 CFM [340 m³/hr] to the blower capacity.
- If the rangetop has a 24" Griddle, add an additional 400 CFM [680 m³/hr] to the blower capacity.

For island applications, it is recommended to use a vent hood that is 6" [15.2 cm] wider than the appliance, to allow for 3" [7.6 cm] of overlap on the left and right of the appliance.

Keep duct runs as short and straight as possible. Elbows and transition fittings reduce airflow efficiency. Hestan recommends keeping the duct run under 50 ft. [15.2 m].

CONSULT WITH YOUR HESTAN DEALER ON SELECTING THE APPROPRIATE VENT HOOD FOR YOUR HESTAN APPLIANCE.

BACKGUARD AND ACCESSORIES

▲ CAUTION

Sheetmetal accessories such as the backguard, and areas at the rear of the rangetop may have sharp edges. Wear work gloves while handling and installing these items.

BACKGUARD

Your Hestan rangetop is supplied at the factory with an Island Trim backguard. See Table 1 in the APPENDIX section of this manual for other backguard options available from your Hestan dealer. Selection of the appropriate backguard depends on the installation location and adjacent materials, and the type of vent hood to be used. Installation instructions are included with the backguard kit. **A LOW OR TALL BACKGUARD IS REQUIRED WHEN INSTALLING THE RANGETOP AGAINST A COMBUSTIBLE SURFACE - THE ISLAND TRIM IS NOT SUITABLE.**

▲ CAUTION

The top of the backguard serves as an exhaust vent to remove heat from under the rangetop. **DO NOT BLOCK** or obstruct the top of the backguard. **DO NOT** touch the top of the backguard during appliance operation as it may get hot. Allow sufficient time to cool before touching or cleaning this area. **DO NOT** position plastic or other heat-sensitive items nearby which could melt or burn.

ELECTRICAL CONNECTIONS

⚠️ WARNING

ELECTRICAL SHOCK HAZARD

Disconnect power before installing or servicing appliance. Before turning power ON, be sure all controls are in the OFF position. Failure to do so can result in electrical shock or death.



ELECTRICAL GROUNDING

This appliance must be grounded. Grounding reduces the risk of electric shock in the event of a short circuit. Grounding through the neutral conductor is prohibited for new branch circuit installations (1996 NEC), mobile homes, and recreational vehicles, or in an area where local codes prohibit it. Your Hestan rangetop is equipped with a 3-prong, grounding type plug which must be plugged into a grounded, 3-prong 120V receptacle.

⚠️ CAUTION

Improper grounding or reverse polarization will cause malfunctions in the unit, such as continuous sparking of the igniters. This can damage the appliance and create a shock hazard condition.

ELECTRICAL CONNECTION

The receptacle must be on its own dedicated circuit - 120 VAC, Single Phase, 60 Hz, with a current rating of 15 Amps. If this is not available, a licensed electrician must install the appropriately dedicated and grounded receptacle. The installation must be done in accordance with local codes, or in the absence of local codes, it must be installed in accordance with the National Electrical Code, ANSI/NFPA 70.

1. Make sure power is off at the supply panel / breaker.
2. Plug the appliance into the wall receptacle. Secure extra appliance cord out of the way so it cannot be snagged on items under your rangetop.
3. Before restoring power at the supply panel / breaker, be sure all controls are in the OFF position.

GAS CONNECTION

GAS SUPPLY

The local gas authority or supplier should be consulted at the installation planning stage in order to establish the availability of an adequate supply of gas (NG or LP). If it is a new installation, have the gas authorities or supplier check the meter size and piping to assure that the unit is supplied with the necessary amount of gas supply and pressure to operate the unit(s).

Gas connections should be made by a qualified plumber, or your professional appliance installer.

All appliances must be fitted with an accessible upstream gas shutoff valve as a means of isolating the appliance for emergency shut off and for servicing.

Make certain new piping and connections have been made in a clean manner and have been purged so that piping compound, chips, etc. will not clog regulators, valves, orifices, or burners. Use pipe joint compound / thread sealant approved for natural and LP gases.

The appliance and its individual manual shutoff valve must be disconnected from the gas supply piping system during any pressure testing of that system at test pressures in excess of 1/2 psi [3.5 kPa].

The appliance must be isolated from the gas supply piping system by closing its individual manual shutoff valve during any pressure testing of that system at test pressures equal to or less than 1/2 psi [3.5 kPa].

NEVER CONNECT THE APPLIANCE TO AN UNREGULATED GAS SUPPLY. Before proceeding, ensure the appliance is fitted for Natural or Liquid Propane gas. Connecting to an improper gas type will result in poor performance and increased risk of damage or injury. Gas type and gas consumption (BTU per hour) for each burner type is shown on the rating label.

GAS CONNECTION (CONTINUED)

Installation of this cooking appliance must be made in accordance with local codes. In the absence of local codes, this unit should be installed in accordance with the National Fuel Gas Code No. Z223.1/NFPA 54, Natural Gas and Propane Installation code CSA B149-1, or Propane Storage and Handling Code B149.2.

EN

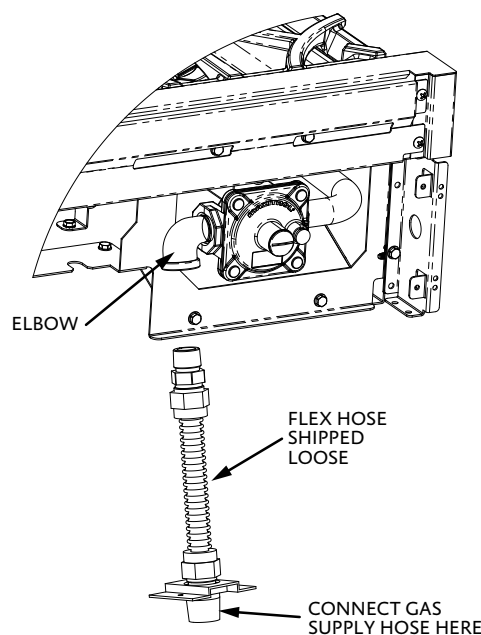
NOTE: See rating label for manifold pressure for the type of gas of your appliance.

CONNECTING THE GAS

Rangetop units have the regulator installed at the factory. However, a short flex hose is shipped loose in the accessory box with other items and must be installed. The installer must temporarily remove the rear cover to make the connection. Connect the short flex hose to the elbow on the regulator inlet as shown here. Use the appropriate thread sealant on the connections.

Connect the gas supply to the other end of the short flex hose as shown here. Use a minimum $\frac{3}{4}$ " inside diameter (1" OD) flexible (semi-rigid) stainless steel gas hose (not included) with appropriate fittings to prevent gas starvation. This hose should be no more than 36" [91.4 cm] in length. Use the appropriate thread sealant on all connections, except flare fittings. Please perform the leak check before re-installing the rear cover.

The supply line must not interfere with the rear of the rangetop. Use caution when pushing the rangetop against the back wall, so that you do not kink or crimp any hoses as this could result in a gas leak. If there is a cabinet or other storage below the rangetop, be sure no items can interfere or bump into the gas hoses.



INTERNAL REGULATOR CONNECTION

CONVERSION KITS

In the event your Hestan appliance needs to be converted from NG to LP, or vice-versa, you will need to contact Hestan Customer Service to arrange a service call. This conversion should only be performed by a qualified technician.

HIGH ALTITUDE KITS

If you live in a high altitude area, 2,000 ft. [610 m] or more above sea level, your appliance may require different orifices for proper combustion and performance. You will need to contact Hestan Customer Service to arrange a service call. High Altitude kits must be installed by a qualified technician. Please have your model and serial number information ready when you call.

GAS CONNECTION (CONTINUED)

GAS CONNECTION - NATURAL GAS (NG)

To ensure proper heating performance of this appliance, verify that the gas line supply pressure is adequate. The appliance is supplied with a gas pressure regulator already installed. This regulator is set for a supply (inlet) pressure of 7-14 inch WC [1.74-3.48 kPa] to maintain 5 inch WC [1.24 kPa] nominal outlet (manifold) pressure.

Ensure that the service pipe supplying the appliance is fitted with a shut-off valve conveniently positioned and easily accessible as an emergency gas shut-off.

GAS CONNECTION - LIQUID PROPANE (LP)

If you purchased an LP version of your appliance, it will be supplied with a gas pressure regulator already installed. This regulator is set to maintain 10 inch WC [2.49 kPa] nominal outlet (manifold) pressure. Ensure that the service pipe supplying the appliance is fitted with a shut-off valve conveniently positioned and easily accessible as an emergency gas shut-off.

When connecting to LP gas, verify the tank is equipped with its own high pressure regulator. The pressure of the gas supplied to the appliance must be 11-14 inch WC [2.74-3.48 kPa].

LEAK TESTING

GENERAL

Although all gas connections on your Hestan appliance are leak tested at the factory prior to shipment, a complete gas tightness check must be performed at the installation site due to possible movement in shipment, or excessive pressure unknowingly being applied to parts of the unit.

Immediately check if the smell of gas is detected. Leak testing of the appliance shall be conducted according to these instructions:

BEFORE TESTING

DO NOT SMOKE WHILE LEAK TESTING.

- Never leak test with an open flame.
- Make a soap solution of one part liquid detergent and one part water for leak testing purposes.
- Apply the solution to the gas fittings and flex hose by using a spray bottle or a brush.

TO TEST

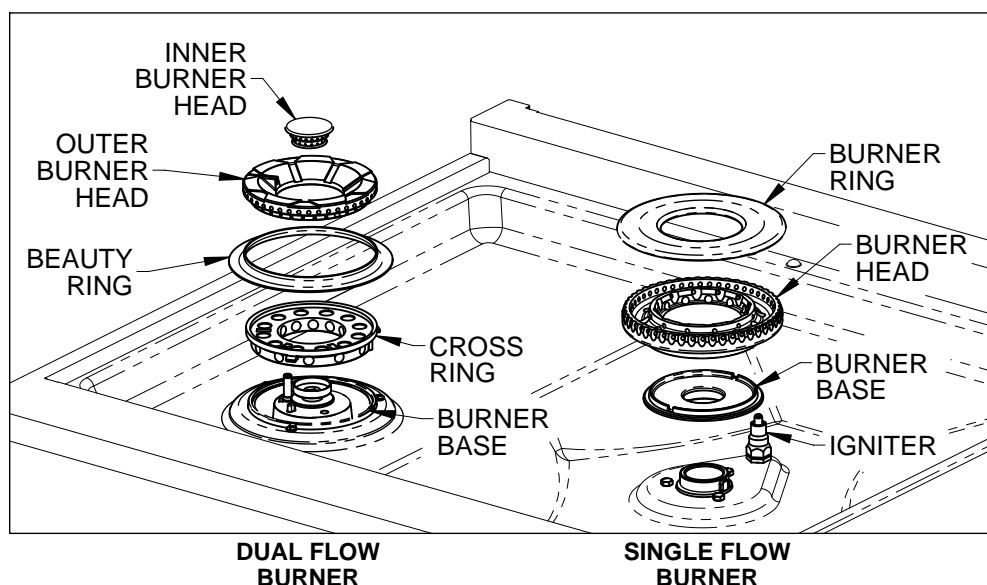
- Make sure all control knobs are in the "OFF" position.
- Apply the soap solution to all fittings and flex hose.
- Turn the gas supply on.
- Check all connections from the supply line up to regulator connection at the rear of the appliance.
- Soap bubbles will appear where a leak is present. If a leak is present, immediately turn off gas supply, tighten any leaking fittings, turn the gas supply back on, and recheck.
- If you cannot stop a gas leak, turn off the gas supply and call the dealer where you purchased your appliance.
- Do not use the appliance until all connections have been checked and do not leak.

FINAL SETUP

Remove any final packaging materials, and protective film from all exterior areas. Install any loose items like sealed burner heads, cooking grates, etc. Ensure the sealed burner heads are properly installed and seated on the burner base as shown below. There are notches on the burner base and cross ring to help with alignment. The outer burner head features a long slot on the top of the head which aligns with the spark igniter. Assembly of the single-flow burner head is similar.

FINAL SETUP (CONTINUED)

EN



Before testing operation of the appliance, verify the leak check was performed and the electrical power has been restored to the unit. Turn the gas shut-off valve to the open position.

NOTICE

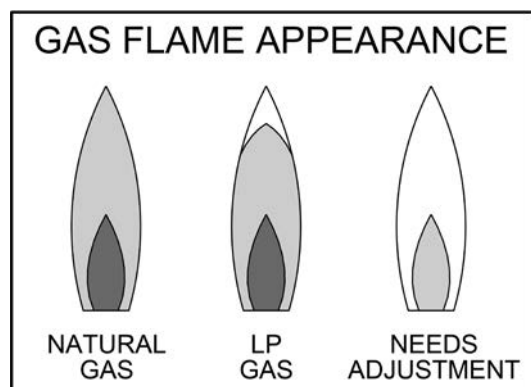
All the control knobs must be in the OFF position to prevent unintended operation at power up. DO NOT ATTEMPT TO USE THE RANGETOP DURING A PROLONGED POWER FAILURE.

Verify ignition at each burner. Igniter will make a clicking sound until the flame lights within 4 seconds, then the clicking will stop. Check flame characteristics at each burner per the descriptions below. Flames should be stable and not dance or lift off the burner ports. Flame may need to burn for a few minutes to purge the gas lines of impurities. These appear as intermittent orange tips or even tiny sparks in the flame. This is normal and the flame will eventually stabilize like those shown in the image below.

If after a few minutes the flames continue to burn mostly yellow, verify that the burner head is properly installed on the base, then retest. Use caution when handling the burner heads. They can be very hot.

Turn down the control knob to the simmer setting to check function.

Check each burner individually, then check they operate satisfactorily with other burners on.



Light blue flame - Natural gas normal flame
Light blue flame with yellow tips - LP gas normal flame
Yellow flame - Needs adjustment

If after all the above tests still result in mostly yellow flames, or the burners do not light, contact Hestan customer service to schedule a service call.

FINAL SETUP (CONTINUED)

GAS GRIDDLE

The gas griddle does not have flame/burner adjustments. Turn the control knob to HIGH, verify that the griddle heats up. You may also notice a constant orange glow at the rear vents of the griddle area. This is normal during operation of the griddle.

Turn all burners off when testing is complete.

UNITS EQUIPPED WITH SMART BURNER™

Consult the Use & Care manual supplied with this appliance for instructions on how to use this special control knob which uses Bluetooth® wireless technology.

SERVICE

All warranty and non-warranty repairs should be performed by qualified service personnel. To locate an authorized service agent in your area, contact your Hestan dealer, local representative, or Hestan. Before you call, please have the model number and serial number information on hand.

Hestan Commercial Corporation
3375 E. La Palma Avenue
Anaheim, CA 92806
(888) 905-7463

APPENDIX

TABLE 1 - BACKGUARD OPTIONS		
RANGE MODEL	BACKGUARD MODEL	DESCRIPTION
KRT304	KBGIT30*	BACKGUARD, ISLAND TRIM, 30"
	KBGLB30	BACKGUARD, LOW BACK, 30"
	KBGHS30	BACKGUARD, HIGH SHELF, 30"
KRT365/KRTS365	KBGIT36*	BACKGUARD, ISLAND TRIM, 36"
	KBGLB36	BACKGUARD, LOW BACK, 36"
	KBGHS36	BACKGUARD, HIGH SHELF, 36"
KRT364GD	KBGIT36*	BACKGUARD, ISLAND TRIM, 36"
	KBGLB36	BACKGUARD, LOW BACK, 36"
	KBGHS36	BACKGUARD, HIGH SHELF, 36"
KRT485GD	KBGIT48*	BACKGUARD, ISLAND TRIM, 48"
	KBGLB48	BACKGUARD, LOW BACK, 48"
	KBGHS48	BACKGUARD, HIGH SHELF, 48"
KRT484GD	KBGIT48*	BACKGUARD, ISLAND TRIM, 48"
	KBGLB48	BACKGUARD, LOW BACK, 48"
	KBGHS48	BACKGUARD, HIGH SHELF, 48"

AVERTISSEMENT

LE NON-RESPECT À LA LETTRE DE CES INSTRUCTIONS PEUT CAUSER UN INCENDIE OU UNE EXPLOSION, QUI POURRAIT ENTRAÎNER DES DOMMAGES MATÉRIELS, DES BLESSURES OU LA MORT.

Ne pas entreposer ou utiliser d'essence ou tout autre liquide ou gaz inflammable à proximité de cet appareil ou de tout autre appareil.

EN PRÉSENCE D'UNE ODEUR DE GAZ:

1. Ne tenter d'allumer aucun appareil.
2. Ne toucher à aucun commutateur électrique.
3. N'utiliser aucun téléphone dans l'immeuble.
4. Appeler immédiatement le fournisseur de gaz à partir d'un téléphone situé à l'extérieur de l'immeuble. Suivre les instructions du fournisseur de gaz.
5. S'il est impossible de joindre le fournisseur de gaz, appeler le service des incendies.

L'installation et la réparation doivent être effectuées par un installateur ou une agence de réparation ayant les qualifications requises auprès du fournisseur de gaz.

LISEZ ATTENTIVEMENT ET COMPLÈTEMENT CES INSTRUCTIONS AVANT D'INSTALLER OU D'UTILISER VOTRE APPAREIL AFIN DE RÉDUIRE LES RISQUES D'INCENDIE, DE BRÛLURE OU D'AUTRES BLESSURES. CONSERVER CE MANUEL POUR RÉFÉRENCE FUTURE.

DÉFINITIONS DE SÉCURITÉ

AVERTISSEMENT

CECI INDIQUE QUE L'INOBSERVATION DE CET AVERTISSEMENT PEUT ENTRAÎNER DES BLESSURES GRAVES VOIRE MORTELLES.

PRÉCAUTION

CECI INDIQUE QUE L'INOBSERVATION DE CET AVERTISSEMENT PEUT ENTRAÎNER DES BLESSURES MINEURES OU MODÉRÉES.

AVIS

CECI INDIQUE QUE L'INOBSERVATION DE CET AVERTISSEMENT PEUT ENTRAÎNER DES DOMMAGES DE L'APPAREIL OU DES DÉGÂTS MATÉRIELS.

INSTALLATEUR: LAISSER CE MANUEL AVEC LE PROPRIÉTAIRE DE L'APPAREIL.
PROPRIÉTAIRE: CONSERVEZ CE MANUEL POUR RÉFÉRENCE FUTURE.

TABLE DES MATIÈRES

- 1 PRÉCAUTIONS DE SÉCURITÉ - AVANT DE COMMENCER
- 2 NUMÉROS DE MODÈLE
- 3 PLAQUE SIGNALÉTIQUE
- 3 RESPECT DE LA RÉGLEMENTATION ET DES CODES EN VIGUEUR
- 3 EMBLACEMENT ET INSTALLATION / VENTILATION
- 7 DOSSERET ET ACCESSOIRES
- 8 BRANCHEMENTS ÉLECTRIQUES
- 8 RACCORDEMENT DE GAZ
- 10 PHASE FINALE DE L'INSTALLATION
- 12 SERVICE
- 12 APPENDICE

PRÉCAUTIONS DE SÉCURITÉ - AVANT DE COMMENCER

S'il est bien entretenu, cet appareil Hestan procurera un service sûr et fiable pendant de nombreuses années. Lorsqu'on se sert de cet appareil, les pratiques élémentaires suivantes en matière de sécurité doivent être adoptées.

IMPORTANT: Conservez ces instructions à l'intention de l'Inspecteur local des services du gaz ou de l'électricité.

INSTALLATEUR: Veuillez laisser ces instructions d'installation au propriétaire.

PROPRIÉTAIRE: Veuillez conserver ces instructions d'installation pour référence future.

Cette table de cuisson N'EST PAS conçue pour être installée dans des maisons préfabriquées (mobiles) ou dans des véhicules récréatifs. N'installez PAS cette table de cuisson à l'extérieur.



RISQUE DE CHOC ÉLECTRIQUE

Débranchez l'alimentation avant d'installer ou d'entretenir l'appareil. Avant de le mettre sous tension, assurez-vous que toutes les commandes sont en position «OFF». Ne pas le faire peut entraîner un choc électrique ou la mort.

MISE À LA TERRE ÉLECTRIQUE

Cet appareil doit être mis à la terre. La mise à la terre réduit le risque de choc électrique en cas de court-circuit. Lisez la section BRANCHEMENTS ÉLECTRIQUES de ce manuel pour des instructions complètes.

Cet appareil est pourvu d'une fiche à trois broches dont une mise à la terre assurant une protection contre les chocs électriques. La prise dans laquelle elle est branchée doit être correctement mise à la terre. Ne pas couper ni enlever la broche de mise à la terre de la fiche.



ALIMENTATION ÉLECTRIQUE

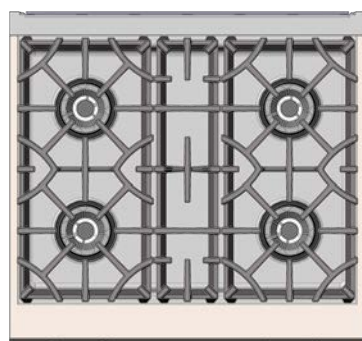
L'appareil doit avoir son propre circuit distinct - 120 VAC, monophasé, 60 Hz, avec une ampérage nominale de 15 ampères. Demandez à l'installateur de vous montrer où se trouve le disjoncteur électrique afin de savoir comment couper l'alimentation de cet appareil. Il incombe à l'utilisateur de faire raccorder l'appareil par un électricien agréé conformément à tous les codes locaux, ou en l'absence de ces codes, conformément au Code National de l'Électricité. Lisez la section BRANCHEMENTS ÉLECTRIQUES du cet manuel pour tous les détails.

NUMÉROS DE MODÈLE

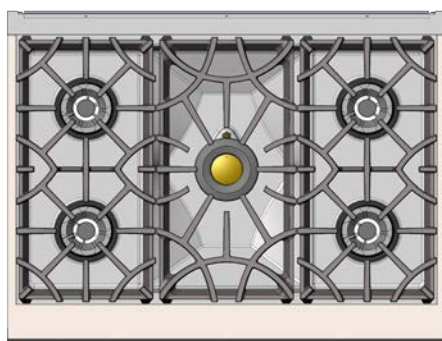
MODÈLES DES TABLES DE CUISSON

NO. MODÈLE	DESCRIPTION	DISJONCTEUR REQUIS
KRT304-NG / -LP	TABLE DE CUISSON 30 po À 4 BRÛLEURS	15 Ampères
KRT365-NG / -LP	TABLE DE CUISSON 36 po À 5 BRÛLEURS	15 Ampères
KRTS365-NG / -LP	TABLE DE CUISSON 36 po À 4 BRÛLEURS ET 1 BRÛLEUR INTELLIGENT™	15 Ampères
KRT364GD-NG / -LP	TABLE DE CUISSON 36 po À 4 BRÛLEURS ET PLAQUE CHAUFFANTE DE 12 PO	15 Ampères
KRT485GD-NG / -LP	TABLE DE CUISSON 48 po À 5 BRÛLEURS ET PLAQUE CHAUFFANTE DE 12 PO	15 Ampères
KRT484GD-NG / -LP	TABLE DE CUISSON 48 po À 4 BRÛLEURS ET PLAQUE CHAUFFANTE DE 24 PO	15 Ampères

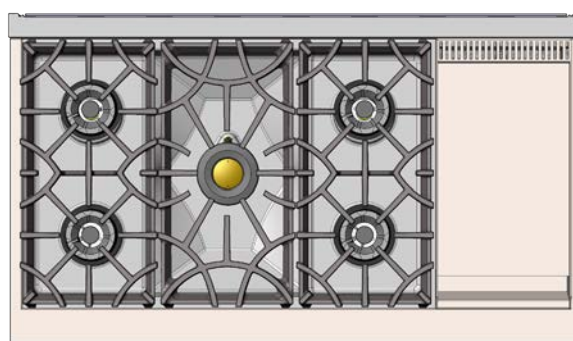
FR



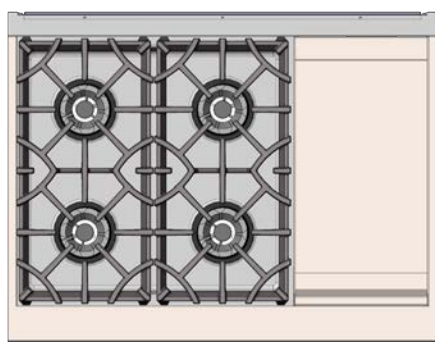
KRT304



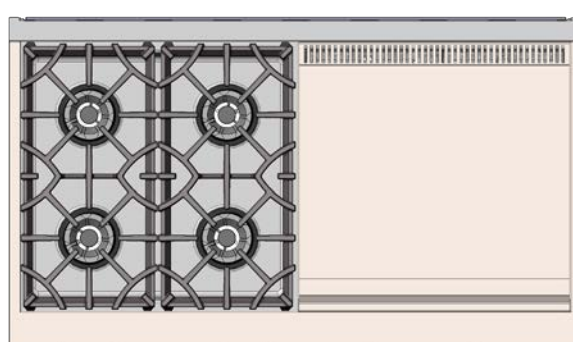
KRT365/KRTS365



KRT485GD



KRT364GD



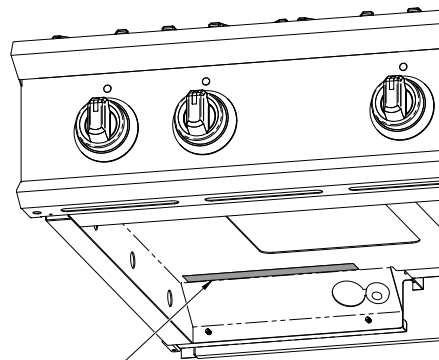
KRT484GD

PLAQUE SIGNALÉTIQUE

La plaque signalétique donne des informations importantes sur cet appareil Hestan telles que les numéros de série et de modèle, le type de gaz et la pression d'admission, les caractéristiques électriques, la cote BTU pour chaque type de brûleur et les dégagements minima d'installation.

La plaque signalétique se trouve sous l'unité.

Si un entretien est nécessaire, contactez le service clientèle de Hestan avec les informations sur le modèle et le numéro de série figurant sur la plaque.



HESTAN COMMERCIAL CORP. ANAHEIM, CA - USA		MODEL / MODELE		SER. NO. / NO. SER.		PATENTED: http://www.hestanhome.com/patents.pdf	
VOLTS 60		BURNER RATINGS (BTU/HOUR)		MIN. CLEARANCES (DÉGAGEMENTS)		CONFORME TO HDG STD Z21.1.2016 - CSA 1.2.2016 HOUSEHOLD COOKING GAS APPLIANCE CONFORME A LA NORME ANSI Z21.1.2016 - CSA 1.2.2016 APPAREIL ELECTROMÉNAGER DE CUISSON AU GAZ	
Hz 60		FRONT BURNER BRÛLEUR AVANT	CENTRE BURNER BRÛLEUR CENTRE	RIGHT BURNER BRÛLEUR D'ARRIÈRE	GRIDLE PLAQUE CHAUFFANT	FRONT 6"	REAR 0"
PHASE 1		INCH W/C MPA				FRONT 12"	REAR 0"
AMPS						VENTED UNIT - SEE INSTALLATION MANUAL UNITÉ VENTILÉE - VOIR LE MANUEL D'INSTALLATION	

RESPECT DE LA RÉGLEMENTATION ET DES CODES EN VIGUEUR

L'installation de cet appareil de cuisson doit être effectuée conformément aux codes locaux. En l'absence de tels codes, installer cet appareil conformément au National Fuel Gas Code ANSI Z223.1/NFPA 54, au code Natural Gas and Propane Installation CSA B149.1 ou au Propane Storage and Handling Code B149.2.

Tous les composants électriques doivent être mis à la terre conformément aux codes locaux ou, en l'absence de tels codes, au National Electrical Code ANSI/NFPA 70 ou au Code national de l'électricité du Canada CSA C22.1.

COMMUNAUTÉ DU MASSACHUSETTS

Le Massachusetts exige que toutes les installations au gaz soient effectuées par un plombier ou monteur d'installations au gaz titulaire d'une autorisation appropriée délivrée par le Massachusetts. Toutes les installations à demeure fonctionnant au propane ou au gaz naturel exigent la pose d'un robinet manuel de gaz à poignée en T sur la conduite d'alimentation en gaz de l'appareil. Le tuyau de raccordement flexible de gaz ne doit pas dépasser 36 po [91.4 cm].

PROPOSITION 65 DE CALIFORNIE – MISE EN GARDE



AVERTISSEMENT Ce produit peut vous exposer à des produits chimiques, y compris le monoxyde de carbone, qui est reconnu dans l'État de Californie pour causer des malformations congénitales ou d'autres problèmes de reproduction.
Pour plus d'informations, visitez www.P65Warnings.ca.gov.

EMPLACEMENT ET INSTALLATION / VENTILATION

DÉBALLAGE ET PLACEMENT

Retirez le carton extérieur et les matériaux d'emballage de la palette d'expédition. Ne retirez pas le film plastique recouvrant les surfaces en acier inoxydable. Ce film protège la finition contre les rayures jusqu'à ce que l'appareil soit installé dans sa position finale.

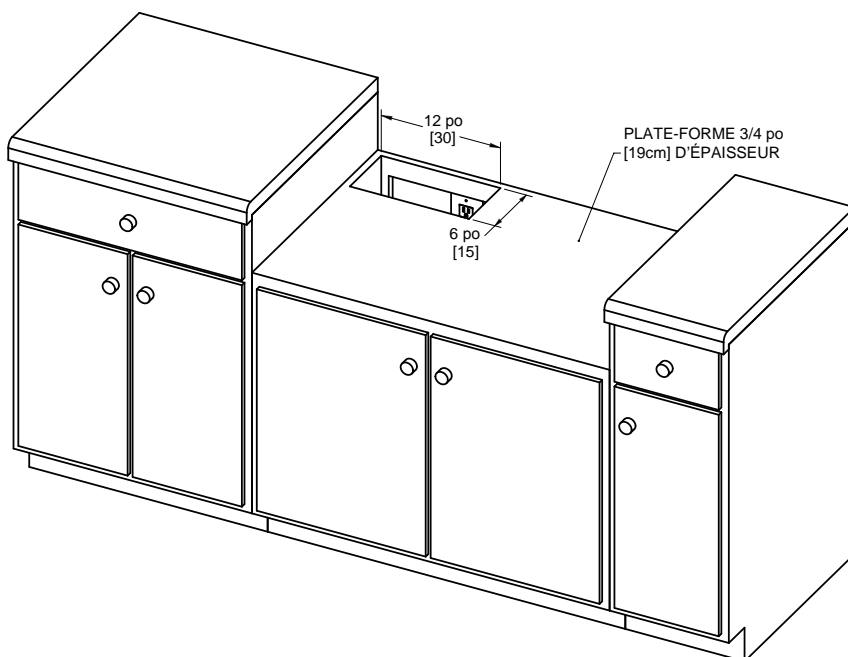
L'unité est peu lourde et doit être manipulée avec soin. Utilisez un équipement de sécurité approprié, tel que des gants, et au moins 2 personnes pour mettre l'appareil en position pour éviter les blessures et éviter d'endommager le sol ou l'appareil lui-même.

EMPLACEMENT ET INSTALLATION / VENTILATION (SUITE)

PRÉPARATION

Avant de déplacer la table de cuisson, enlevez les grilles, les chapeaux de brûleurs et tout autre objet non fixé.

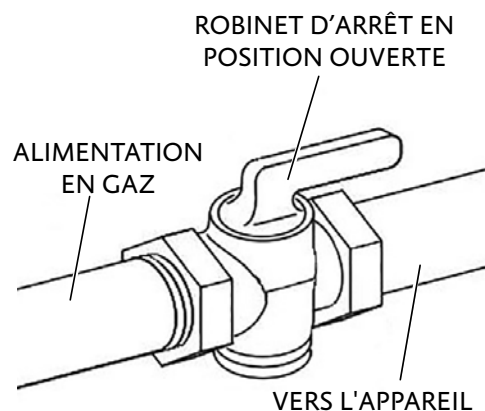
La table de cuisson doit être montée sur une plate-forme stable, tel qu'illustré ici et dans les pages suivantes. La plate-forme doit inclure une découpe de 6 po x 12 po [15,2 x 30,5 cm] à l'arrière gauche pour permettre les connexions électriques et de gaz. La plate-forme doit également être de niveau pour garantir une surface de cuisson uniforme, en particulier pour les modèles dotés d'une plaque chauffante. La plate-forme doit avoir une épaisseur minimale de 3/4 po [19 cm] pour supporter le poids de l'unité. Pour les grandes unités de 48 po [1,2m] et plus, un élément structurel central à l'intérieur du meuble, sous la plate-forme, peut s'avérer nécessaire.



FR

DÉGAGEMENTS DE GAZ ET D'APPROVISIONNEMENT ÉLECTRIQUE

Si ce n'est pas déjà fait, posez un robinet d'arrêt de gaz dans un endroit facilement accessible pour l'entretien de la table de cuisson. Assurez-vous que tous les utilisateurs de l'appareil savent où se trouve cette fermeture et comment couper le gaz. Toute ouverture dans le mur ou le plancher derrière l'appareil doit être scellée. Les dégagements d'installation sur les pages suivantes indiquent où les zones « G » et « E » doivent être situées.



ARMOIRES

Pour éliminer le risque de brûlures ou d'incendie lorsqu'on se penche au-dessus des unités de surface chauffées, il convient d'éviter d'utiliser l'espace de rangement offert par les armoires situés au-dessus des unités de surface. Si on doit prévoir un espace de rangement, le risque peut être réduit en installant la hotte d'évacuation requise de façon à ce qu'elle dépasse horizontalement d'au moins 5 po [12,7 cm] du fond des armoires.

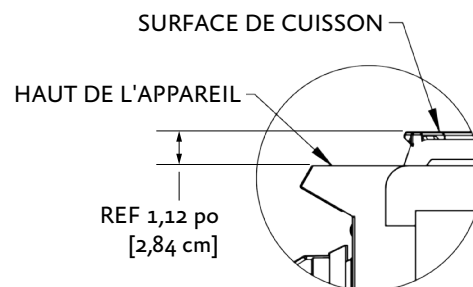
EMPLACEMENT ET INSTALLATION / VENTILATION (SUITE)

NIVELLEMENT

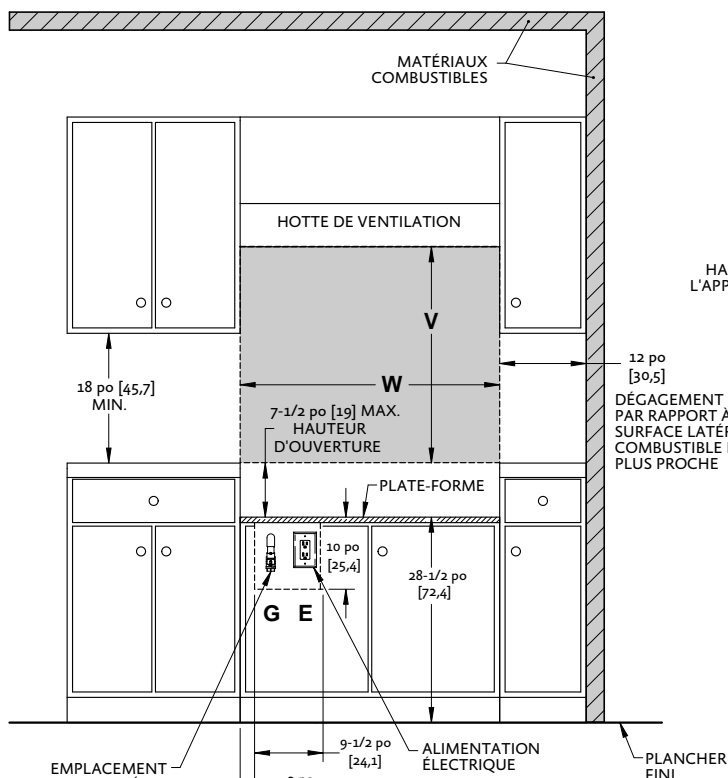
La table de cuisson doit être de niveau, en particulier les modèles comportant une plaque chauffante. Soulevez à la hauteur désirée en plaçant des cales sous l'unité au besoin.

⚠ PRÉCAUTION

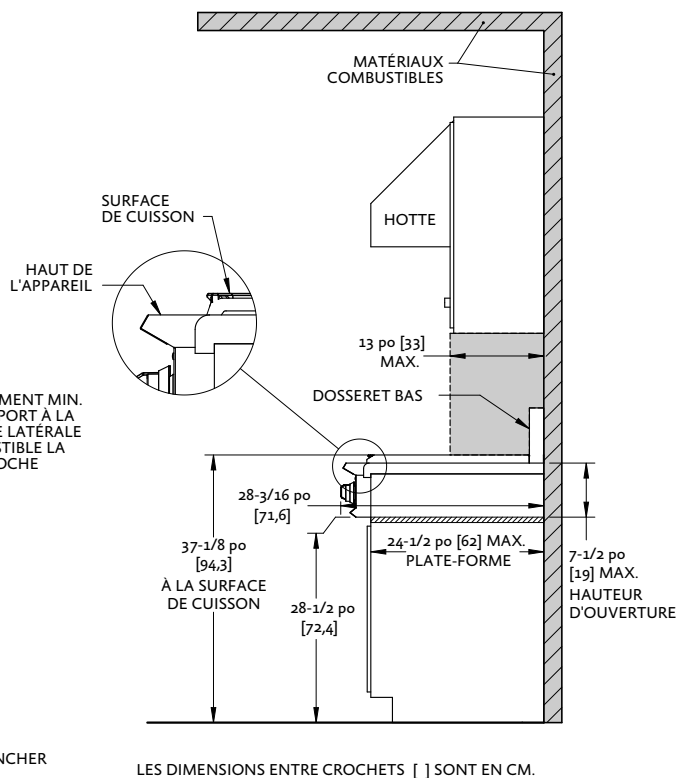
Le dessus de l'appareil doit être au même niveau ou plus haut que les surfaces des plans de travail contigus. Le fait de ne pas ajuster la hauteur peut exposer les armoires contigus à une chaleur excessive qui pourrait endommager les armoires ou le plan de travail.



DÉGAGEMENTS D'INSTALLATION AVEC DOSSERET BAS



VUE DE FACE



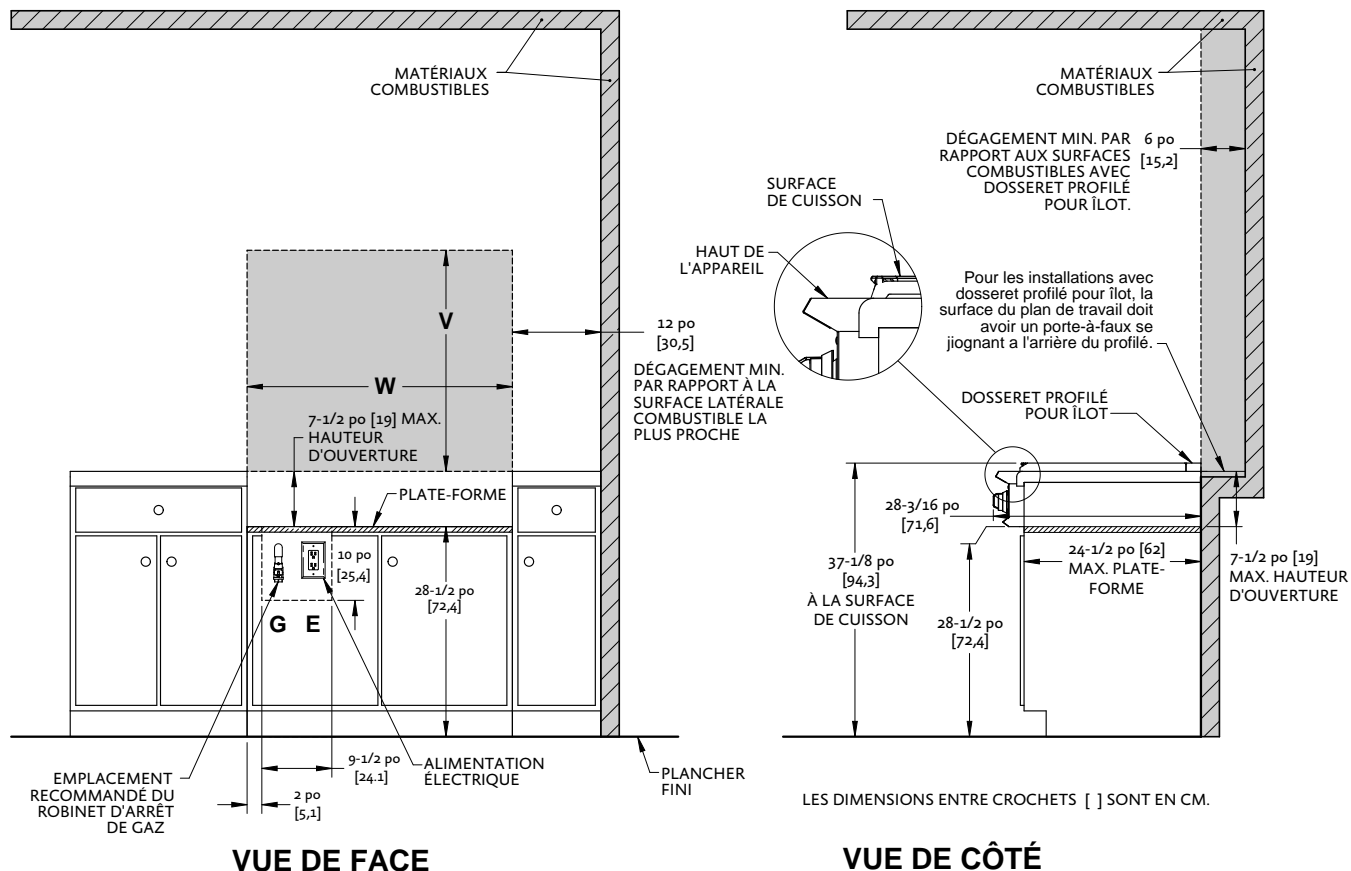
VUE DE CÔTÉ

REMARQUES:

- * LES ZONES OMBRÉES INDIQUENT LES ENDROITS OÙ LES MATÉRIAUX COMBUSTIBLES SON PROHIBÉS.
- * LE DESSUS DE L'APPAREIL DOIT ÊTRE AU MÊME NIVEAU OU PLUS HAUT QUE LES SURFACES DES PLANS DE TRAVAIL CONTIGUS.
- * «G» INDIQUE LA ZONE DE RACCORDEMENT DE GAZ SUR LE MUR ARRIÈRE. MONTER LE ROBINET D'ARRÊT AUSSI HAUT QUE POSSIBLE DANS CETTE ZONE POUR EN FACILITER L'ACCÈS QUAND LA CUISINIÈRE EST EN PLACE.
- * «E» EST LA ZONE D'ALIMENTATION ÉLECTRIQUE.
- * «W» INDIQUE L'OUVERTURE DESTINÉE À L'APPAREIL.
- * «V» INDIQUE LE DÉGAGEMENT MIN. PAR RAPPORT À LA HOTTE DE VENTILATION REQUISE.

MODÈLES DES TABLES DE CUISSON	W	V (MIN)
KRT304	30 po [76,2]	30 po [76,2]
KRT365/KRTS365	36 po [91,4]	30 po [76,2]
KRT364GD	36 po [91,4]	30 po [76,2]
KRT485GD	48 po [121,9]	30 po [76,2]
KRT484GD	48 po [121,9]	30 po [76,2]

DÉGAGEMENTS D'INSTALLATION AVEC DOSSERET PROFILÉ POUR ÎLOT



FR

REMARQUES:

- * LES ZONES OMBRÉES INDIQUENT LES ENDROITS OÙ LES MATÉRIAUX COMBUSTIBLES SON PROHIBÉS.
- * LE DESSUS DE L'APPAREIL DOIT ÊTRE AU MÊME NIVEAU OU PLUS HAUT QUE LES SURFACES DES PLANS DE TRAVAIL CONTIGUS.
- * «G» INDIQUE LA ZONE DE RACCORDEMENT DE GAZ SUR LE MUR ARRIÈRE. MONTER LE ROBINET D'ARRÊT AUSSI HAUT QUE POSSIBLE DANS CETTE ZONE POUR EN FACILITER L'ACCÈS QUAND LA CUISINIÈRE EST EN PLACE.
- * «E» EST LA ZONE D'ALIMENTATION ÉLECTRIQUE.
- * «W» INDIQUE L'OUVERTURE DESTINÉE À L'APPAREIL.
- * «V» INDIQUE LE DÉGAGEMENT MIN. PAR RAPPORT À LA HOTTE DE VENTILATION REQUISE.

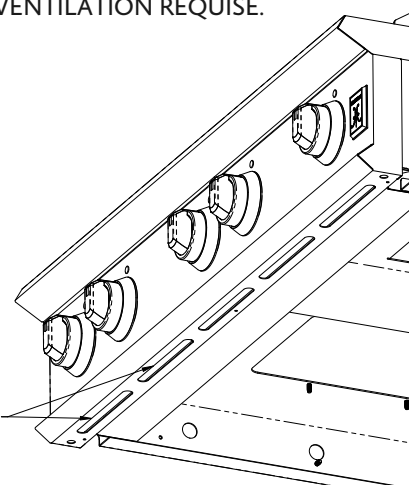
MODÈLES DES TABLES DE CUISSON	W	V (MIN)
KRT304	30 po [76,2]	30 po [76,2]
KRT365/KRTS365	36 po [91,4]	30 po [76,2]
KRT364GD	36 po [91,4]	30 po [76,2]
KRT485GD	48 po [121,9]	30 po [76,2]
KRT484GD	48 po [121,9]	30 po [76,2]

ÉVÉNEMENTS POUR AÉRATION AVANT

AVIS

Lorsque vous placez votre table de cuisson dans le meuble, NE BLOQUEZ PAS et n'obstruez pas les événements pour aération avant indiqués. Ces événements permettent à l'air de pénétrer dans l'appareil pour maintenir le refroidissement des composants électroniques internes.

ÉVÉNEMENTS POUR AÉRATION



EMPLACEMENT ET INSTALLATION / VENTILATION (SUITE)

EXIGENCES DE VENTILATION

Une hotte de ventilation est REQUISE au-dessus de cet appareil. Il est fortement recommandé d'installer cet appareil avec une hotte Hestan. En raison de la puissance calorifique élevée de cette cuisinière, il est très important que l'installation de la hotte et des conduits réponde aux codes de construction locaux et soit réalisée par un technicien qualifié.

N'utilisez pas de système de ventilation à tirage descendant.

Ne montez pas un ensemble four à micro-ondes / ventilateur au-dessus de la table de cuisson. Ces types d'unités n'offrent pas d'un débit d'air suffisant pour évacuer la chaleur élevée de cette table de cuisson et n'ont pas été testés avec ce type d'appareil.

Pour les hottes d'évacuation non approuvées par Hestan, la hotte de ventilation et / ou la soufflante doivent avoir une capacité nominale de 1 pi³/min [1,7 m³/h] pour chaque 100 BTU [0,03 kW] de la table de cuisson.

- Si la table de cuisson est équipée d'une plaque chauffante de 12 po [30,5 cm], ajoutez 200 pi³/min supplémentaires [340 m³/h] à la capacité de la soufflante.
- Si la table de cuisson est équipée d'une plaque chauffante de 24 po [61 cm], ajoutez 400 pi³/min supplémentaires [680 m³/h] à la capacité de la soufflante.

Pour les applications en îlot, il est recommandé d'utiliser une hotte d'évacuation plus large de 6 po [15,2 cm] que l'appareil, pour permettre un chevauchement de 3 po [7,6 cm] à gauche et à droite de l'appareil.

Gardez le conduit court aussi court et droit que possible. Les coudes et les raccords de transition réduisent l'efficacité du flux d'air. Hestan recommande de maintenir la longueur du conduit à moins de 50 pieds [15,2 m].

CONSULTEZ VOTRE CONCESSIONNAIRE HESTAN POUR CHOISIR LA HOTTE DE VENTILATION APPROPRIÉ POUR VOTRE APPAREIL HESTAN.

DOSSERET ET ACCESSOIRES

PRÉCAUTION

Les accessoires en tôle tels que le dossier et les zones à l'arrière de la table de cuisson peuvent avoir des bords tranchants. Portez des gants de travail pendant la manipulation et l'installation de ces articles.

DOSSERET

Votre table de cuisson Hestan est fournie en usine avec un dossier Island Trim (à Profilé pour Îlot). Voir le Tableau 1 de la section APPENDICE de ce manuel pour d'autres options de dossier disponibles chez votre concessionnaire Hestan. La sélection du dossier approprié dépend du lieu d'installation et des matériaux contigus, ainsi que du type de hotte à utiliser. Les instructions d'installation accompagnent le kit de dossier. UN DOSSERET BAS OU ÉTAGÈRE HAUTE EST REQUIS LORS DE L'INSTALLATION DE LA TABLE DE CUISSON CONTRE UNE SURFACE COMBUSTIBLE - LA DOSSERET À PROFILÉ POUR ÎLOT NE CONVIENT PAS.

PRÉCAUTION

Le haut du dossier sert d'échappement pour évacuer la chaleur sous la table de cuisson. NE PAS BLOQUER ou obstruer le haut du dossier. NE PAS touchez le haut du dossier pendant le fonctionnement de l'appareil, car il pourrait chauffer. Lui laisser suffisamment de temps pour refroidir avant de toucher ou de nettoyer cette zone. NE PAS placer à proximité d'objets en plastique ou d'autres objets sensibles à la chaleur qui pourraient fondre ou brûler.

BRANCHEMENTS ÉLECTRIQUES



RISQUE DE CHOC ÉLECTRIQUE

Débranchez l'alimentation avant d'installer ou d'entretenir l'appareil. Avant de mettre l'appareil sous tension, assurez-vous que toutes les commandes sont en position «OFF». Ne pas le faire peut entraîner un choc électrique ou la mort.



FR

MISE À LA TERRE ÉLECTRIQUE

Cet appareil doit être mis à la terre. La mise à la terre réduit le risque de choc électrique en cas de court-circuit. La mise à la terre par le conducteur neutre est interdite pour les nouvelles installations de circuit de dérivation (1996 NEC), ainsi dans les maisons mobiles et les véhicules récréatifs, ou dans une zone où les codes locaux l'interdisent. Votre table de cuisson Hestan est équipée d'une prise à trois broches de mise à la terre qui doit être branchée dans une prise 120V à 3 broches mise à la terre.



Une mauvaise mise à la terre ou une polarisation inversée entraînera des dysfonctionnements dans l'unité, tels que des étincelles continues des allumeurs. Cela peut endommager l'appareil et créer une situation d'électrocution.

BRANCHEMENT ÉLECTRIQUE

La prise doit avoir son propre circuit distinct - 120 VAC, monophasé, 60 Hz, avec un ampérage nominale de 15 ampères. Si aucune n'est disponible, un électricien agréé doit installer la prise distinct et mise à la terre comme il convient. L'installation doit être effectuée conformément aux codes locaux, ou en l'absence de codes locaux, elle doit être installée conformément au Code National de l'Électricité, ANSI / NFPA 70.

1. Assurez-vous que le panneau d'alimentation / disjoncteur est hors tension.
2. Raccordez l'appareil dans la prise murale. Assujettissez le cordon de l'appareil supplémentaire à l'écart de façon à ce qu'il ne puisse pas s'accrocher aux éléments sous votre table de cuisson.
3. Avant de rétablir l'alimentation sur le panneau d'alimentation / disjoncteur, assurez-vous que toutes les commandes sont en position «OFF».

RACCORDEMENT DE GAZ

ALIMENTATION EN GAZ

Consulter les autorités locales responsables ou le fournisseur lors de la phase de planification de l'installation afin de vérifier qu'un approvisionnement suffisant en gaz (gaz naturel ou GPL) est disponible. S'il s'agit d'une nouvelle installation, demander aux autorités locales responsables ou au fournisseur de vérifier la capacité du compteur et la tuyauterie pour s'assurer que l'appareil reçoit le volume et la pression de gaz dont il a besoin pour fonctionner.

Faire effectuer les raccordements de gaz par un plombier qualifié ou un installateur professionnel d'appareils de cuisson.

Tous les appareils doivent être équipés d'un robinet d'arrêt amont de gaz accessible permettant de les isoler pour arrêt d'urgence et entretien.

S'assurer que la tuyauterie et les raccordements nouveaux ont été posés dans des conditions de propreté et purgés de façon à empêcher de la pâte à tuyau, des débris, etc. de boucher les détendeurs, robinets, orifices calibrés ou brûleurs. Utiliser une pâte à tuyau ou pâte d'étanchéité pour raccords filetés homologués pour le gaz naturel et le GPL.

L'appareil doit être isolé du système de tuyauterie d'alimentation en gaz en fermant son robinet d'arrêt manuel individuel pendant tout test de pression de ce système à des pressions d'essai égales ou inférieures à 1/2 livres/po² [3,5 kPa].

NE JAMAIS RACCORDER L' APPAREIL UNE ALIMENTATION EN GAZ SANS DÉTENDEUR. Avant de procéder à l'installation, s'assurer que l'appareil est adapté au gaz naturel ou au GPL. Le raccordement à une alimentation en gaz incorrect entraînera un rendement médiocre et un risque accru de dégâts

RACCORDEMENT DE GAZ (SUITE)

matériels ou de blessures. Le type et la consommation (BTU/h) de gaz de chaque type de brûleur sont indiqués sur la plaque signalétique.

L'installation de cet appareil de cuisson doit être effectuée conformément aux codes locaux. En l'absence de tels codes, installer cet appareil conformément au National Fuel Gas Code ANSI Z223.1/NFPA 54, au code Natural Gas and Propane Installation CSA B149 ou au Propane Storage and Handling Code B149.2.

REMARQUE : Voir la plaque signalétique pour la pression d'admission du type de gaz de l'appareil.

CONNEXION DU GAZ

Les tables de cuisson ont le détendeur installé en usine. Cependant, un tuyau flexible court à l'arrière de l'unité, comme illustré ci-dessous. Le détendeur et le tuyau court est expédié en vrac dans la boîte d'accessoires avec d'autres éléments et doit être installé. L'installateur doit retirer temporairement le panneau arrière pour établir la connexion. Connectez le tuyau flexible court au coude sur l'entrée du détendeur comme illustré ici. Appliquez de la pâte d'étanchéité appropriée sur les connexions.

Branchez l'alimentation en gaz à l'autre extrémité du tuyau flexible court comme illustré ici. Utilisez un tuyau de gaz flexible (semi-rigide) en acier inoxydable de diamètre intérieur minimum de 3/4 po (1 po OD) (non inclus) avec les raccords appropriés pour éviter la panne de gaz. Ce flexible ne doit pas mesurer plus de 36 po [91,4 cm] de longueur. Appliquez de la pâte d'étanchéité appropriée sur tous les raccords, à l'exception des raccords évasés. Veuillez effectuer la contrôle d'étanchéité avant de réinstaller le panneau arrière.

La flexible d'alimentation ne doit pas interférer avec l'arrière de la table de cuisson. Soyez prudent lorsque vous poussez la table de cuisson contre le mur arrière, afin de ne pas plier ou pincer le tuyau flexible, car cela pourrait entraîner une fuite de gaz. S'il y a une armoire ou un autre espace de stockage sous la table de cuisson, assurez-vous qu'aucun article ne peut interférer ou heurter les tuyaux de gaz.

KITS DE CONVERSION

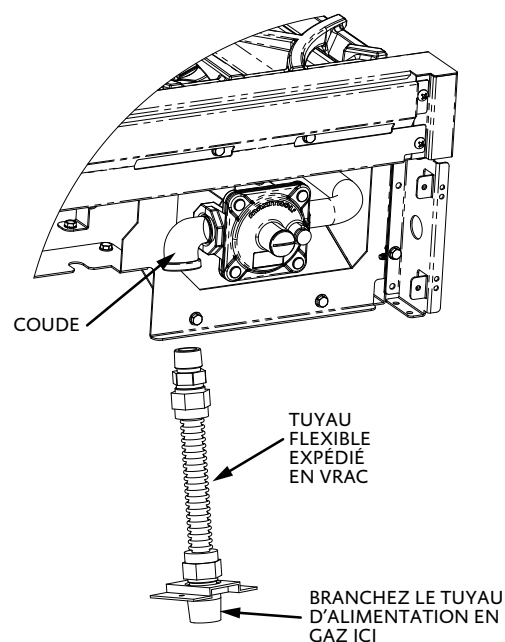
Dans le cas où votre appareil Hestan doit être converti du Gaz Naturel au GPL, ou vice-versa, vous devrez contacter le service clientèle de Hestan pour faire effectuer cette conversion. Celle-ci doit être effectuée que par un technicien qualifié.

KITS DE HAUTE ALTITUDE

Si vous vivez dans une région à haute altitude, c'est-à-dire au moins 2000 pi [610 m] au-dessus du niveau de la mer, votre appareil peut exiger des orifices calibrés différents pour une combustion et un rendement appropriés. Vous devrez contacter le service clientèle de Hestan pour faire effectuer cette opération. Les kits Haute Altitude doivent être installés par un technicien qualifié. Veuillez avoir les informations relatives aux numéros de modèle et de série à portée de la main lorsque vous appelez.

RACCORDEMENT DE GAZ - GAZ NATUREL

Pour faire en sorte que cet appareil chauffe bien, vérifiez que la pression dans la conduite d'alimentation en gaz est suffisante. L'appareil est fourni avec un détendeur de pression de gaz déjà installé. Ce détendeur est réglé pour une pression d'alimentation de 7-14 po à la colonne d'eau [1,74-3,48 kPa] pour maintenir une pression de sortie (collecteur) nominale de 5 po à la colonne d'eau [1,24 kPa].



CONNEXION DU DÉTENDEUR INTERNE

RACCORDEMENT DE GAZ (SUITE)

S'assurer que la conduite de branchement alimentant l'appareil est pourvue d'un robinet d'arrêt facile d'accès permettant de couper le gaz en cas d'urgence.

RACCORDEMENT DE GAZ – PROPANE LIQUIDE (GPL)

Si vous avez acheté une version GPL de votre appareil, il sera fourni avec un détendeur de pression de gaz déjà installé.

Ce détendeur est réglé pour maintenir une pression de sortie (collecteur) nominale de 10 po à la colonne d'eau [2,49 kPa]. Assurez-vous que la flexible d'alimentation de l'appareil est équipé d'un robinet d'arrêt facile d'accès permettant de couper le gaz en cas d'urgence.

Lors de la connexion au GPL, vérifiez que le réservoir est équipé de son propre détendeur haute pression. La pression du gaz fourni à l'appareil doit être 11-14 po à la colonne d'eau [2,74-3.48 kPa].

CONTRÔLE D'ÉTANCHÉITÉ

GÉNÉRALITÉS

Bien que l'étanchéité de tous les raccordements de gaz de ce appareil Hestan ait été contrôlée à l'usine préalablement à l'expédition, un contrôle complet d'étanchéité doit être effectué sur le lieu d'installation pour tenir compte d'un possible déplacement en cours de transport ou d'une pression excessive exercée par mégarde sur certaines pièces de l'appareil.

Contrôler régulièrement l'étanchéité de l'ensemble du système ou le faire immédiatement si on perçoit une odeur de gaz. L'essai d'étanchéité de l'appareil doit être exécuté conformément aux instructions suivantes:

AVANT LE CONTRÔLE

NE PAS FUMER PENDANT LE CONTRÔLE D'ÉTANCHÉITÉ

- Ne jamais contrôler l'étanchéité avec une flamme nue.
- Préparer une solution savonneuse consistant en un volume de détergent liquide et un volume d'eau à des fins de contrôle d'étanchéité.
- Appliquer de la solution sur les raccords de gaz à l'aide d'un flacon pulvérisateur ou d'un pinceau.

POUR EFFECTUER LE CONTRÔLE

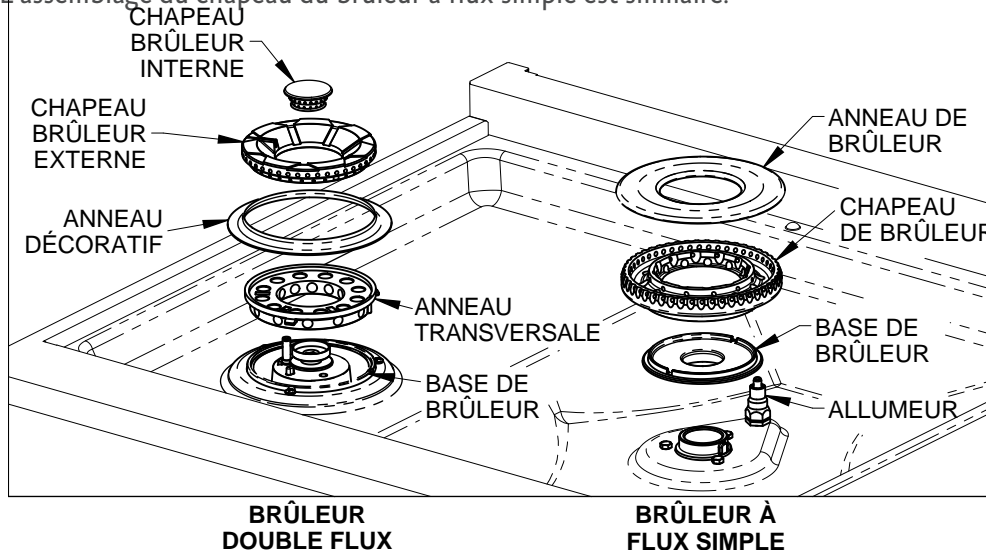
- S'assurer que toutes les robinets de réglage sont en position «OFF».
- Appliquer de la solution savonneuse décrite plus haut sur tous les raccords et le flexible.
- Ouvrir l'arrivée de gaz.
- Contrôler tous les raccordements depuis la conduite d'alimentation jusqu'à la connexion du détendeur à l'arrière de l'appareil.
- Des bulles de savon se formeront à l'emplacement d'une fuite. En cas de fuite, couper immédiatement l'arrivée de gaz, resserrer tout raccord qui fuit, rouvrir l'arrivée de gaz et recommencer le contrôle.
- S'il s'avère impossible d'arrêter une fuite de gaz, couper l'arrivée de gaz et s'adresser au concessionnaire qui a vendu l'appareil.
- Ne pas utiliser l'appareil tant que tous les raccordements n'ont pas été contrôlés et qu'ils fuient.

PHASE FINALE DE L'INSTALLATION

Enlevez les matériaux d'emballage finaux et les films protecteurs de toutes les zones extérieures. Installez tous les éléments non fixés tels que les chapeaux de brûleurs scellés, les grilles de cuisson, etc. Assurez-vous que les chapeaux des brûleurs scellés sont bien en place sur la base du brûleur comme indiqué ci-dessous. Il y a des encoches sur la base du brûleur et une anneau transversale pour faciliter l'alignement.

PHASE FINALE DE L'INSTALLATION (SUITE)

Le dessus du chapeau du brûleur externe comporte une longue fente qui s'aligne sur l'allumeur par étincelle. L'assemblage du chapeau du brûleur à flux simple est similaire.



Avant de tester le fonctionnement de l'appareil, vérifiez que le contrôle de fuite a été effectué et que l'appareil a été remis sous tension. Tournez le robinet d'arrêt de gaz en position ouverte.

AVIS

Toutes les boutons de commande doivent être en position «OFF» pour éviter une mise en marche intempestive lors de la mise sous tension.

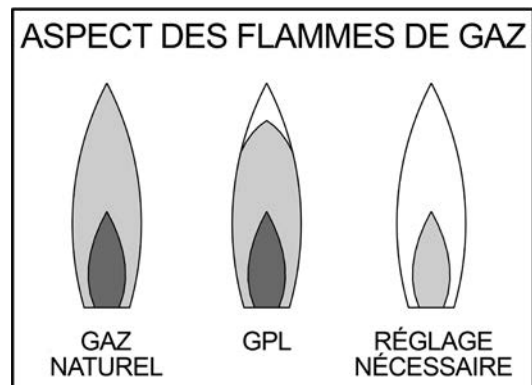
N'ESSAYEZ PAS D'UTILISER LA TABLE DE CUISSON PENDANT UNE PANNE DE COURANT PROLONGÉE.

Vérifiez l'allumage à chaque brûleur. L'allumeur émettra un déclic jusqu'à ce que la flamme s'allume dans les 4 secondes, puis le déclic s'arrêtera. Vérifiez les caractéristiques de la flamme de chaque brûleur selon les descriptions ci-dessous. Les flammes doivent être stables et ne pas danser ni s'arracher des orifices du brûleur. La flamme peut devoir brûler pendant quelques minutes pour purger les conduits de gaz des impuretés. Celles-ci apparaissent comme des pointes oranges intermittentes ou même de minuscules étincelles dans la flamme. Ceci est normal et la flamme finira par se stabiliser comme celles montrées sur l'illustration ci-dessous.

Si, après quelques minutes, les flammes continuent de brûler surtout en jaune, vérifiez que le chapeau de brûleur est bien en place sur la base, puis refaites le test. Soyez prudent lorsque vous manipulez les chapeaux du brûleurs. Ils peuvent être très chauds.

Tournez le bouton de commande à la position de mijotage pour vérifier la fonction.

Vérifiez chaque brûleur individuellement, puis vérifiez qu'ils fonctionnent de manière satisfaisante avec les autres brûleurs allumés.



- Flamme bleu clair - Flamme normale de gaz naturel
- Flamme bleu clair avec des pointes jaunes - Flamme normale de gaz GPL
- Flamme jaune - Réglage nécessaire

Si tous les tests qui précèdent continuent de produire des flammes surtout jaunes ou que les brûleurs ne s'allument pas, contactez le service clientèle de Hestan pour faire effectuer la réparation.

PHASE FINALE DE L'INSTALLATION (SUITE)

PLAQUE CHAUFFANTE

La plaque chauffante n'a pas de réglages flamme/brûleur. Tournez le bouton de commande sur HIGH, vérifiez que la plaque chauffante chauffe. Vous pouvez également remarquer une lueur orange constante aux l'évents à l'arrière de la plaque chauffante. Ceci est normal pendant le fonctionnement de la plaque chauffante.

Éteignez tous les brûleurs lorsque le test est terminé.

FR

UNITÉS ÉQUIPÉES D'UN BRÛLEUR INTELLIGENT™

Consultez le manuel d'utilisation et d'entretien fourni avec cet appareil pour savoir comment utiliser ce bouton de commande spécial qui utilise la technologie sans fil Bluetooth®.

SERVICE

Toutes les réparations sous garantie et hors garantie doivent être effectuées par un technicien qualifié. Pour trouver un réparateur agréé dans votre région, contactez votre concessionnaire Hestan, votre représentant local, ou Hestan. Avant d'appeler, veuillez avoir sous la main le numéro de modèle et le numéro de série.

Hestan Commercial Corporation
3375 E. La Palma Avenue
Anaheim, CA 92806
(888) 905-7463

APPENDICE

TABLEAU 1 - OPTIONS DU DOSSERET		
MODÈLES DES TABLES DE CUISSON	MODÈLE DE DOSSERET	DESCRIPTION
KRT304	KBGIT30*	DOSSERET, PROFILE POUR ÎLOT, 30 PO
	KBGLB30	DOSSERET, ARRIÈRE BAS, 30 PO
	KBGHS30	DOSSERET, ÉTAGÈRE HAUTE, 30 PO
KRT365/KRTS365	KBGIT36*	DOSSERET, PROFILE POUR ÎLOT, 36 PO
	KBGLB36	DOSSERET, ARRIÈRE BAS, 36 PO
	KBGHS36	DOSSERET, ÉTAGÈRE HAUTE, 36 PO
KRT364GD	KBGIT36*	DOSSERET, PROFILE POUR ÎLOT, 36 PO
	KBGLB36	DOSSERET, ARRIÈRE BAS, 36 PO
	KBGHS36	DOSSERET, ÉTAGÈRE HAUTE, 36 PO
KRT485GD	KBGIT48*	DOSSERET, PROFILE POUR ÎLOT, 48 PO
	KBGLB48	DOSSERET, ARRIÈRE BAS, 48 PO
	KBGHS48	DOSSERET, ÉTAGÈRE HAUTE, 48 PO
KRT484GD	KBGIT48*	DOSSERET, PROFILE POUR ÎLOT, 48 PO
	KBGLB48	DOSSERET, ARRIÈRE BAS, 48 PO
	KBGHS48	DOSSERET, ÉTAGÈRE HAUTE, 48 PO

**RETAIN THIS MANUAL FOR FUTURE REFERENCE
CONSERVEZ CE MANUEL POUR UNE RÉFÉRENCE FUTURE**



Hestan Commercial Corporation

3375 E. La Palma Ave.

Anaheim, CA 92806

(888) 905-7463