



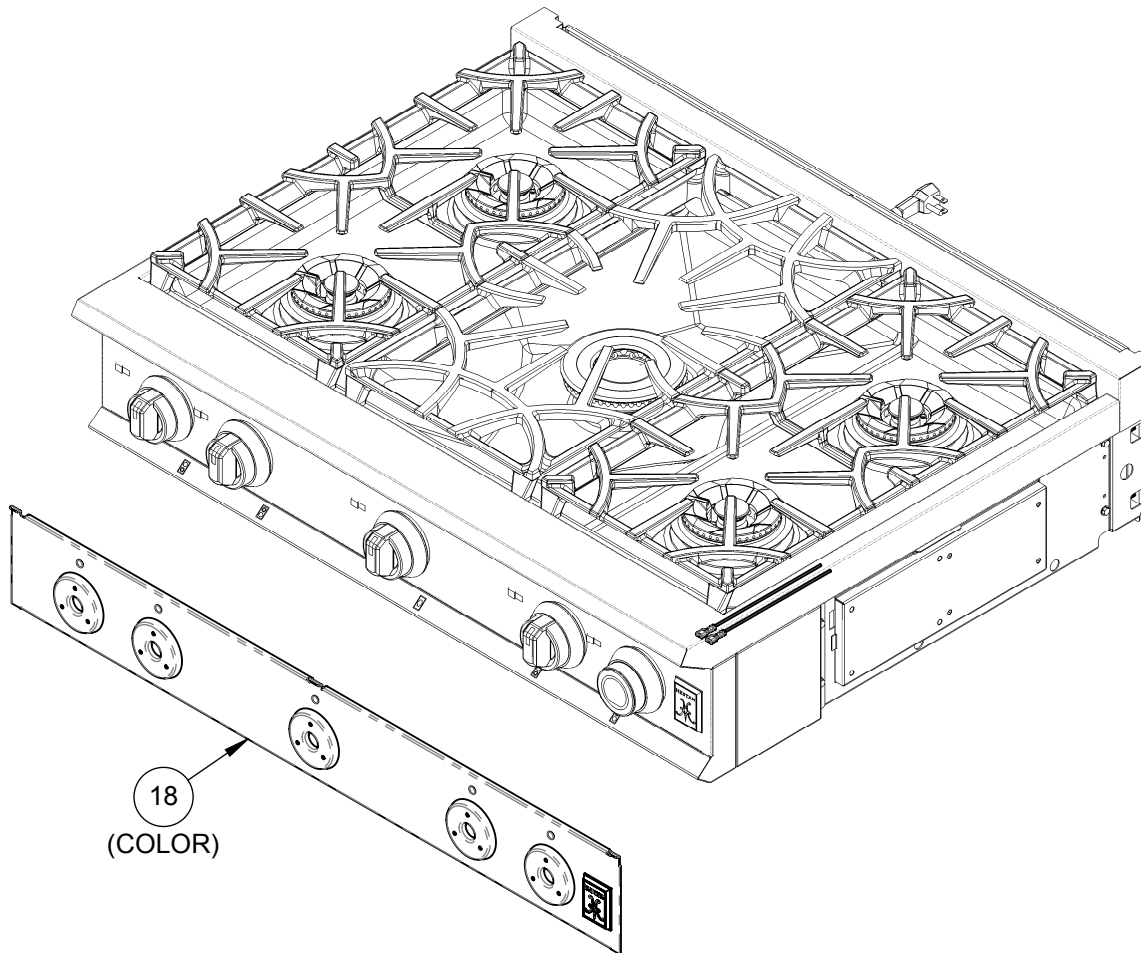
**Professional Smart Rangetop  
KRTS365  
Parts List**

**Hestan Commercial Corporation  
3375 E. La Palma Ave.  
Anaheim, CA 92806  
(888)905-7463**

**RETAIN THIS FOR FUTURE REFERENCE**



All warranty and non-warranty repairs should be performed by qualified service personnel. To locate an authorized service agent, contact your Hestan dealer, local representative, or the manufacturer. Before you call, please have the model number and serial number information ready.  
 Hestan Commercial Corp.  
 (888) 905-7463



Color Extension (-XX)	Description
	<b>Stainless Steel</b>
-BK	Stealth - Black
-WH	Froth - White
-RD	Matador - Red
-YW	Sol - Yellow
-OR	Citra - Orange
-BG	Tin Roof - Burgundy
-PP	Lush - Purple
-BU	Prince - Blue
-GR	Grove - Green
-GG	Pacific Fog - Graphite Gray
-TQ	Bora Bora - Turquoise

SEE SHEET 3 FOR PARTS LIST



PROPRIETARY  
 NO PART OF THIS DOCUMENT MAY BE REPRODUCED,  
 STORED IN A RETRIEVAL SYSTEM, OR TRANSMITTED IN  
 ANY FORM, WITHOUT THE WRITTEN PERMISSION OF  
 Hestan Commercial Corporation. THIS DOCUMENT OR ANY  
 COPIES SHALL BE RETURNED UPON WRITTEN REQUEST.

DESCRIPTION

**SERVICE - RANGETOP, SMART, 5-BURNER,  
 36"**

DRAWING NO

**KRTS365-SERVICE**

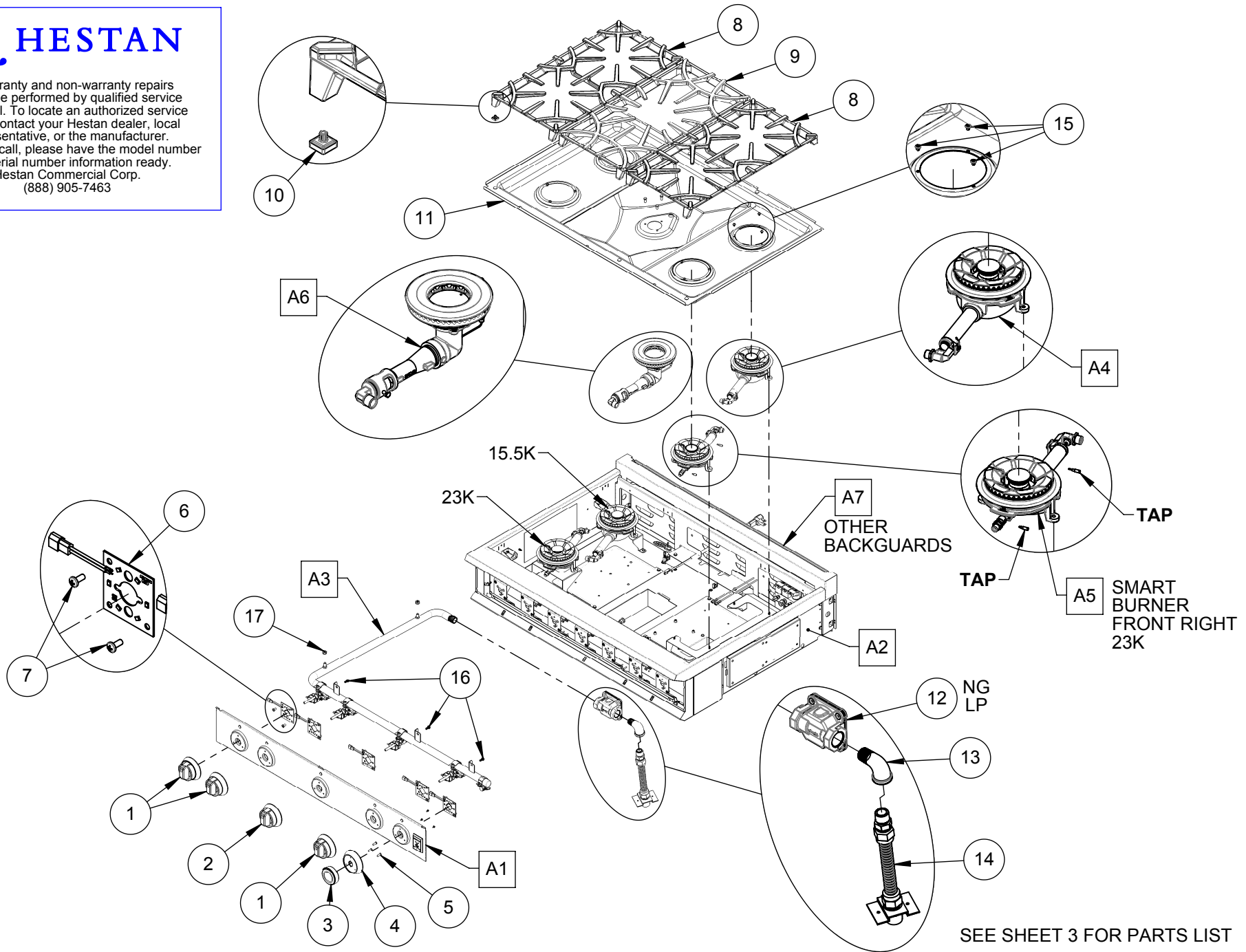
REVISION

**A**

SHEET NO.  
 1 OF 11



All warranty and non-warranty repairs should be performed by qualified service personnel. To locate an authorized service agent, contact your Hestan dealer, local representative, or the manufacturer. Before you call, please have the model number and serial number information ready.  
Hestan Commercial Corp.  
(888) 905-7463



PROPRIETARY  
NO PART OF THIS DOCUMENT MAY BE REPRODUCED,  
STORED IN A RETRIEVAL SYSTEM, OR TRANSMITTED IN  
ANY FORM, WITHOUT THE WRITTEN PERMISSION OF  
Hestan Commercial Corporation. THIS DOCUMENT OR ANY  
COPIES SHALL BE RETURNED UPON WRITTEN REQUEST.

DESCRIPTION

**SERVICE - RANGETOP, SMART, 5-BURNER,  
36"**

DRAWING NO

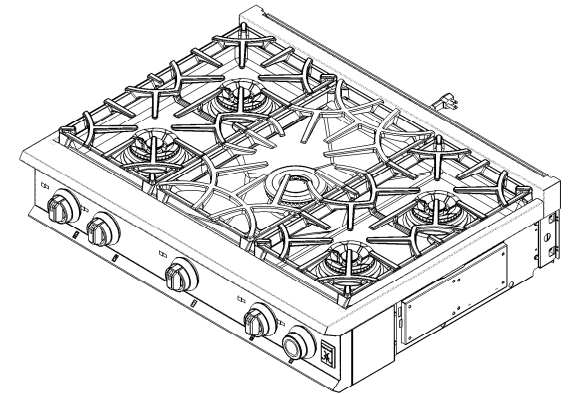
**KRTS365-SERVICE**

REVISION

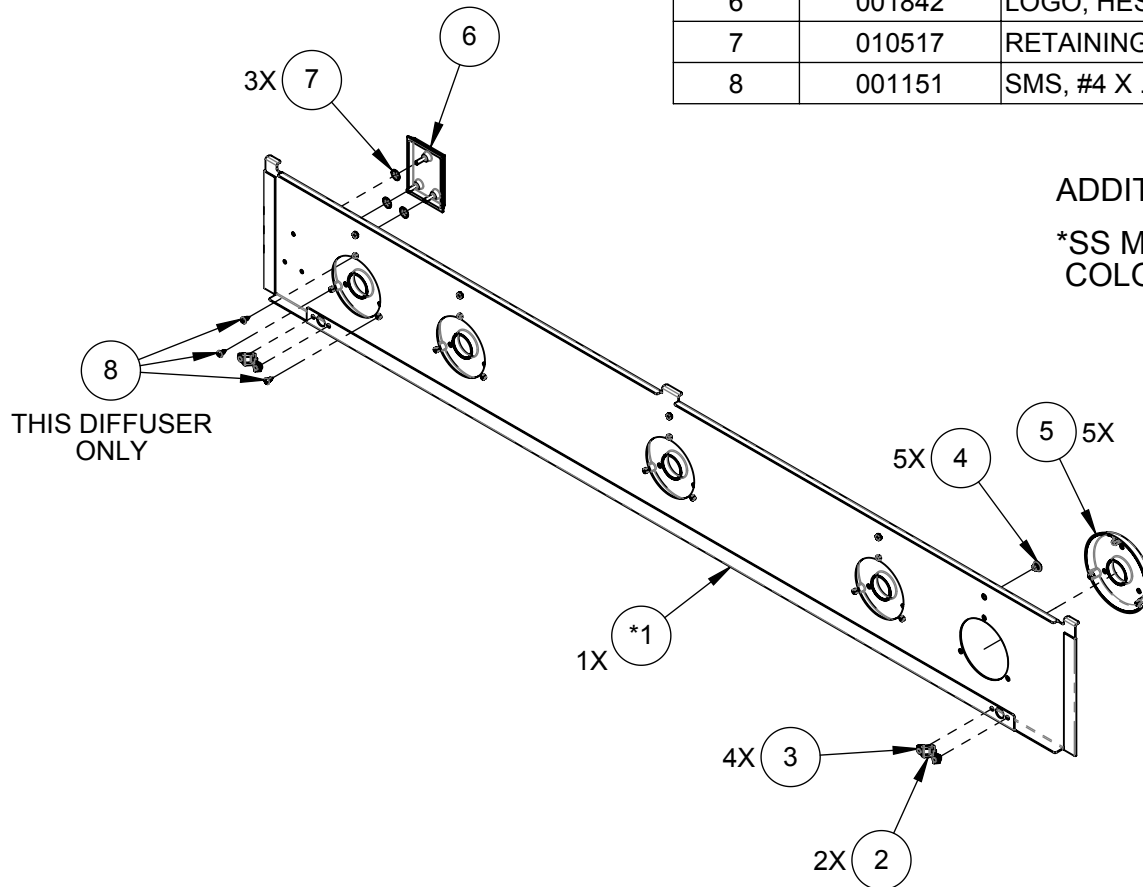
**A**

SHEET NO.  
**2 OF 11**

ITEM NO.	PART NO.	DESCRIPTION	QTY.
1	018170	KNOB ASSEMBLY, MAIN BURNER, RESIDENTIAL INDOOR	3
2	018378	KNOB ASSEMBLY, SINGLE FLOW, RESIDENTIAL INDOOR	1
3	034380	TOUCH ENCODER, SMART GAS	1
4	032846	BEZEL, RESIDENTIAL INDOOR - TOUCH ENCODER	1
5	034675	SERVICE, MS, 6-32 X .50, PH, PAN, SS, PKG 6	1
6	017612	LED MODULE, KNOB LIGHTING	5
7	011857	SERVICE, MS, 8-32 X .375, PH, PAN, SS, PKG 6	1
8	018251	GRATE ASSEMBLY, DUAL, RESIDENTIAL INDOOR	2
9	018319	GRATE ASSEMBLY, SINGLE, RESIDENTIAL INDOOR	1
10	025945	SERVICE, GRATE, FOOTPAD, PKG 4	1
11	018064	DRIP PAN, 365 RANGETOP	1
12	018882	REGULATOR, STRAIGHT-THRU, 1/2"NPT, CONVERTIBLE, DD-RV48 (5"/10"w.c.)	1
	021649	REGULATOR, STRAIGHT-THRU, 1/2"NPT, CONVERTIBLE, DD-RV48, 5/10, CONVERTED TO LP	1
13	007508	ELBOW, 1/2 FNPT X 1/2 MNPT, 90 DEG	1
14	020677	HOSE, FLEX, 5/8OD X 1/2MIP X 3/4MIP W/ BRACKET, 8"	1
15	024305	SERVICE, MS, M4 X 5MM, PH, PAN, SS, PKG 6	1
16	024260	SERVICE, MS, 10-24 X 1/2, HEX HD W/ LOCK WASHER, ZN, PKG 10	1
17	011715	SERVICE, NUT, KEPS, 1/4-20, ZN, PKG 4	1
18	037728-XX	SERVICE, ASSY, CONTROL PANEL INSERT, 365 SMART RANGETOP - (COLOR)	1



ITEM NO.	PART NUMBER	DESCRIPTION	QTY.
*1	018680	INSERT, CONTROL PANEL, 365 RANGETOP	1
*1.1	018680-XX	INSERT, CONTROL PANEL, 365 RANGETOP - (COLOR)	1
2	000852	RECEPTACLE, BALL STUD, 18LB PULL, ZN, C1663-028-3B	2
3	003110	POP RIVET, 1/8DIA X .275L, SS	4
4	009871	PLUG FOR 1/4-20 SHCS, CHROME	5
5	019744	DIFFUSER LENS, PRESS FIT	5
6	001842	LOGO, HESTAN, 2.125 x 1.56	1
7	010517	RETAINING RING, EXTERNAL, .125" DIAMETER SHAFT	3
8	001151	SMS, #4 X .25, PH, PAN, TYPE A, SS	3

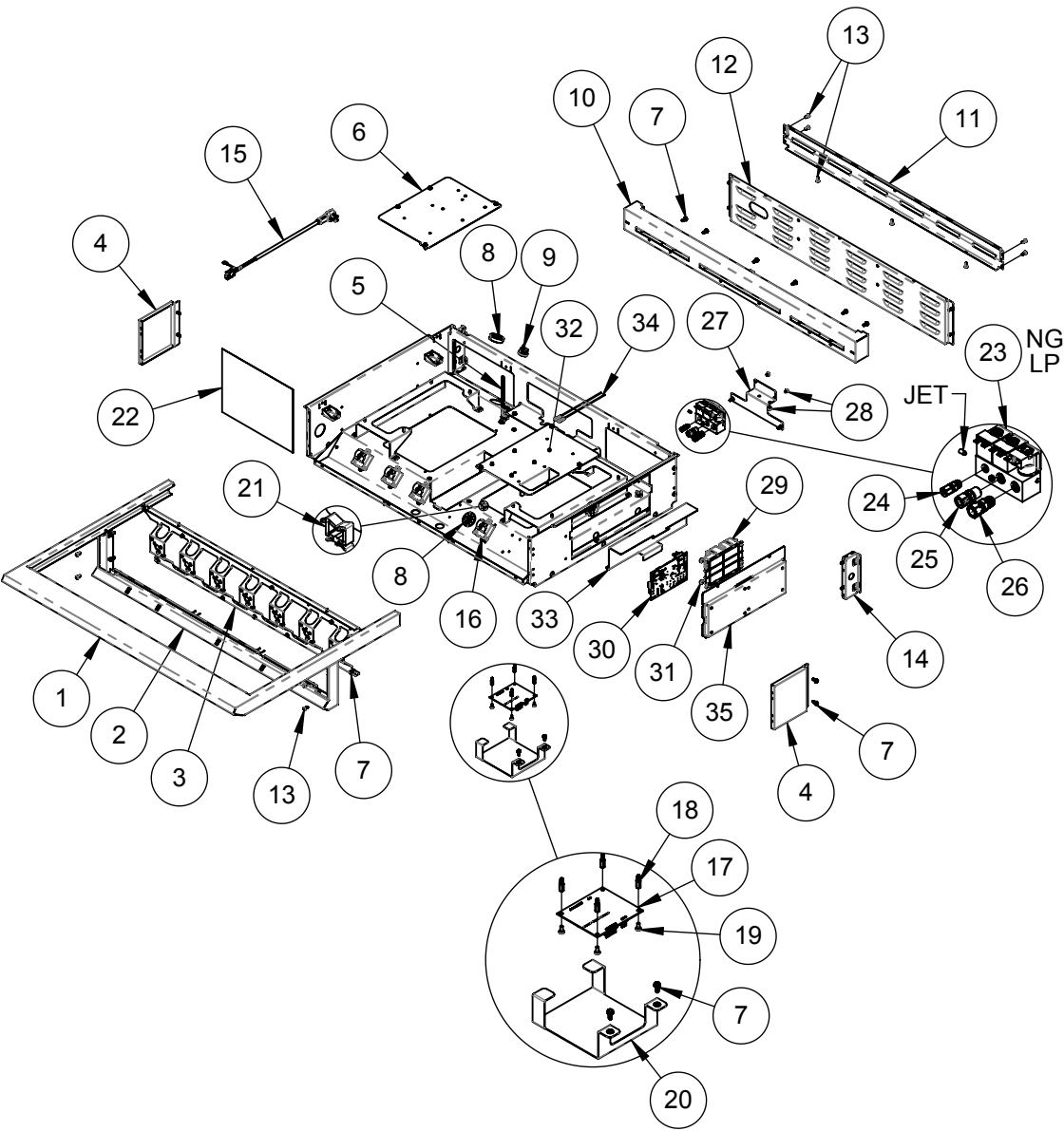


**ADDITIONAL NOTES:**

\*SS MODEL RECEIVES ITEM 1  
 COLORED MODEL RECEIVES 1.1



DESCRIPTION	<b>SERVICE, ASSY, CONTROL PANEL INSERT, 365 SMART RANGETOP - (COLOR)</b>
DRAWING NO	<b>A1</b>

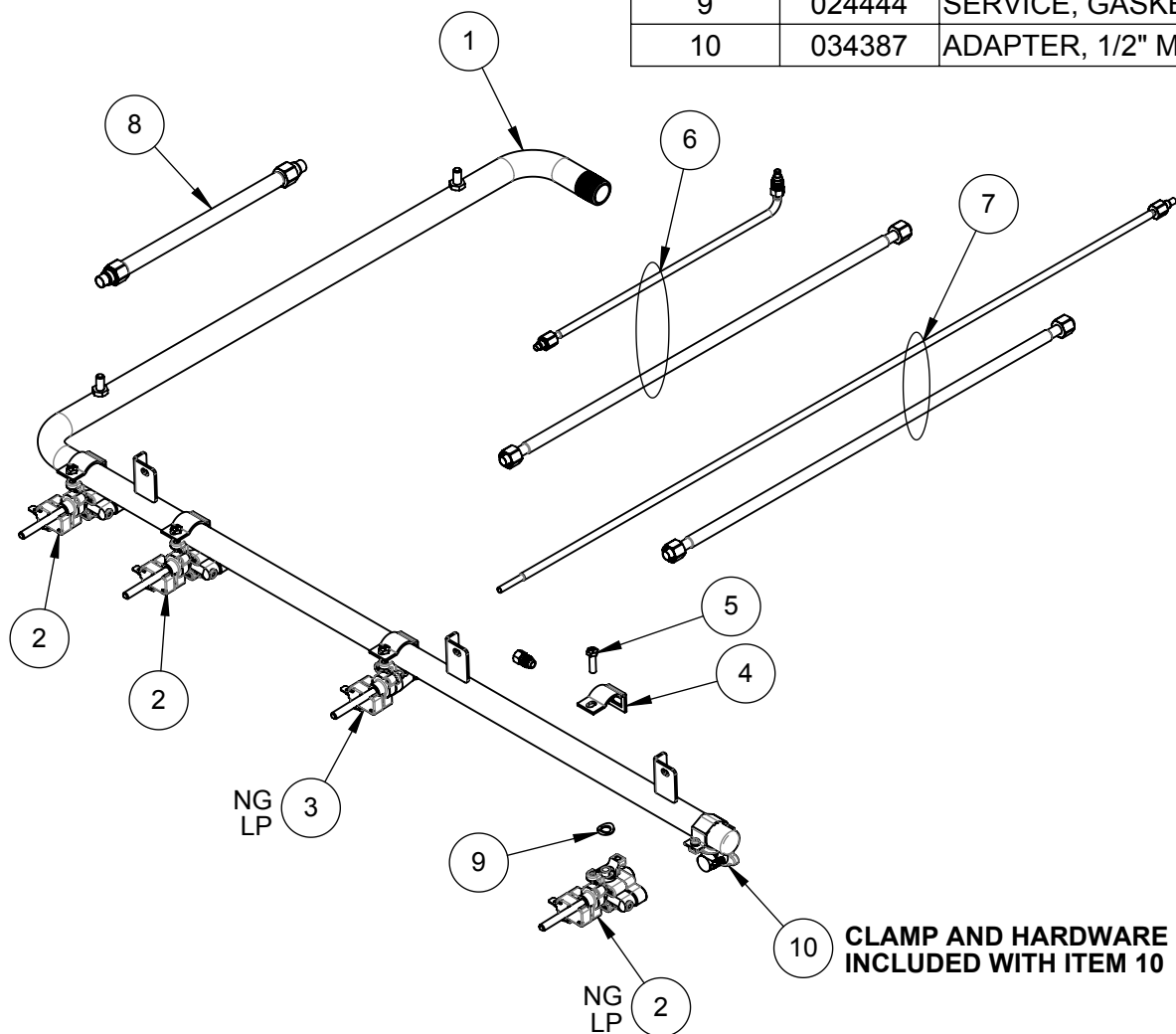


ITEM NO.	PART NO.	DESCRIPTION	QTY.
1	017793	BULLNOSE, RANGETOP, WA - 36	1
2	017784-1	CONTROL PANEL, CHIN, ASSY - 365 RT	1
3	017874	CROSSMEMBER, FRONT, FRAME, RANGETOP - 36	1
4	019608	COVER, SIDE, RANGETOP, RESIDENTIAL INDOOR	2
5	019376	HARNESS, WIRE, RANGETOP/RANGE, 365	1
6	019412	COVER, OVEN ACCESS, RANGETOP	1
7	024263	SERVICE, SMS, #10-24 X .50, HEXWSH, TYPE F, SS, PKG 10	1
8	018393	SNAP BUSHING, 1.06" MAX ID, BLACK	2
9	005862	STRAIN RELIEF, SNAP-IN, 3/4" KNOCKOUT	1
10	033015	RISER, ISLAND, INNER SIDE MOUNT, RESIDENTIAL INDOOR - 36	1
11	019654	COVER, RISER, ISLAND, RESIDENTIAL INDOOR - 36	1
12	019680	REAR COVER, 36" RANGETOP	1
13	010242	SERVICE, SMS, #10-24 X 1/2, PH, PAN, TYPE F, SS, PKG 10	1
14	032936	BRACKET, MOUNTING, RISER, REAR ACCESS, RANGETOP	2
15	019868	CORD, POWER, 4 FT, 3/14 AWG, SJTW	1
16	032028	MODULE, RE-IGNITER, SINGLE POINT, RI 120F-1, 120V, 3mA	4
17	019678	LED DRIVER / ISOLATOR BOARD	1
18	024507	SERVICE, STANDOFF, MALE-FEMALE, 1/2"L, #8-32, PKG. 4	1
19	011857	SERVICE, MS, 8-32 X .375, PH, PAN, SS, PKG 6	1
20	020762	GUARD, ISOLATOR BOARD	1
21	033830	SERVICE, CABLE HOLDER, PUSH IN, 3/8" DIAMETER, PKG. 6	1
22	035607	WIRING DIAGRAM, 365 SMART RANGETOP	1
23	034376	VALVE ASSY, SMART GAS - NG	1
	036317	VALVE ASSY, SMART GAS - LP	1
24	002946	ADAPTER, STRAIGHT, 1/8 NPT TO 3/16" CC	1
25	034770	ADAPTER, STRAIGHT, 5/16 COMPRESSION TO 1/4 NPT	1
26	028047	ADAPTER, STRAIGHT, 1/4 MNPT TO 3/8" CC	1
27	037026	BRACKET, VALVE ASSY, SMART GAS	1
28	013391	SERVICE, MS, 10-32 X .25, PH, PAN, SS, PKG 4	1
29	034371	SAFETY MODULE, SMART GAS	1
30	034373	CONTROL MODULE, SMART GAS	1
31	003818	NUT, KEPS, #10-24, ZN	1
32	036938	COVER, OVEN ACCESS, SMART RANGETOP	1
33	034383	HEAT SHIELD, SMART GAS	1
34	036037	HARNESS ASSEMBLY, SMART GAS	1
35	034374	CONTROL BOX, SMART GAS	1



DESCRIPTION	<b>SERVICE - RANGETOP, SMART, 5-BURNER, 36"</b>  <b>A2</b>
DRAWING NO	

ITEM NO.	PART NO.	DESCRIPTION	QTY.
1	019185	MANIFOLD, INDOOR, 365 RANGETOP	1
2	031680	VALVE, DUAL FLOW, RESIDENTIAL INDOOR - NG	3
	031681	VALVE, DUAL FLOW, RESIDENTIAL INDOOR - LP	3
3	031683	VALVE, SINGLE FLOW, RESIDENTIAL INDOOR - NG	1
	031685	VALVE, SINGLE FLOW, RESIDENTIAL INDOOR - LP	1
4	018077	CLAMP, GAS VALVE, RESIDENTIAL INDOOR	4
5	024259	SERVICE, MS, M5 X 0.8 X 18, HEXHD, SS, PKG 5	1
6	021578-1	HOSE KIT, DUAL FLOW, RESIDENTIAL INDOOR - FRONT	1
7	021578-2	HOSE KIT, DUAL FLOW, RESIDENTIAL INDOOR - REAR	2
8	014913	HOSE, FLEX, 3/8 OD, 9", F-F, NUT/FERRULE	1
9	024444	SERVICE, GASKET, VALVE, SADDLE MOUNT, PKG 6	1
10	034387	ADAPTER, 1/2" MANIFOLD, 1/4 NPT F OUT	1



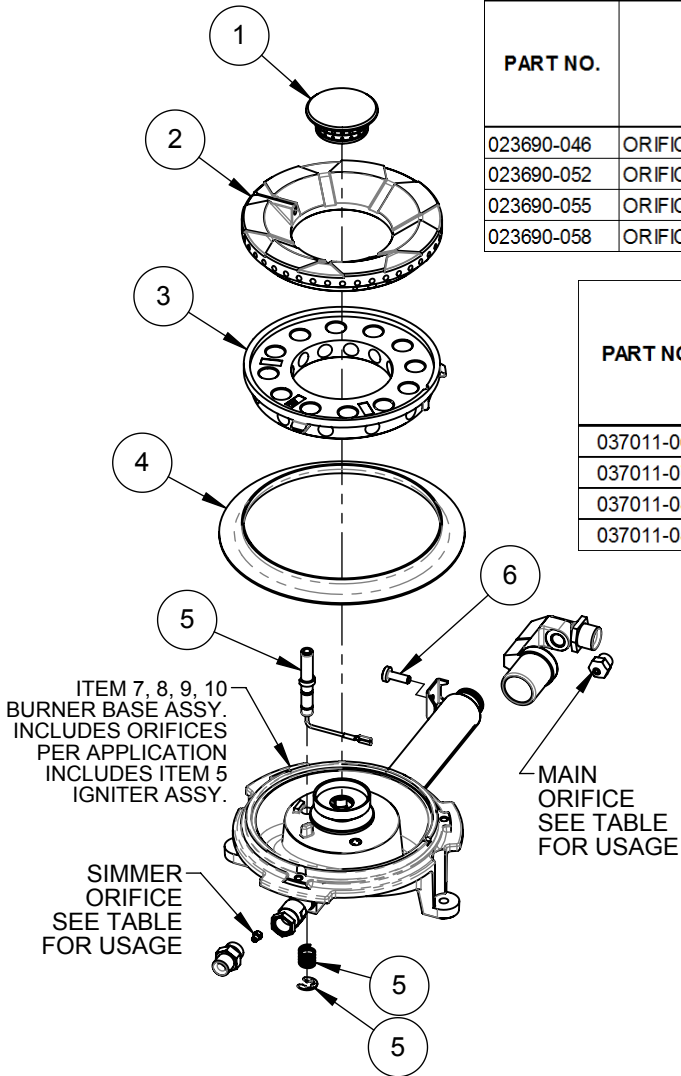
**CLAMP AND HARDWARE INCLUDED WITH ITEM 10**

DESCRIPTION	<b>SERVICE, MANIFOLD ASSEMBLY, SMART GAS, 365</b>
DRAWING NO	<b>A3</b>

PART NO.	SIMMER ORIFICES	Z (IN)	Z (MM)	STAMP	COLOR CODE	15.5k Dual Flow BURNER		23k Dual Flow BURNER	
						NG	LP	NG	LP
023698-073	ORIFICE, SIMMER, DUAL FLOW BURNER, INDOOR, #73	0.024	0.61	V	BLACK	X		X	
023698-078	ORIFICE, SIMMER, DUAL FLOW BURNER, INDOOR, #78	0.016	0.41	T	RED		X		X

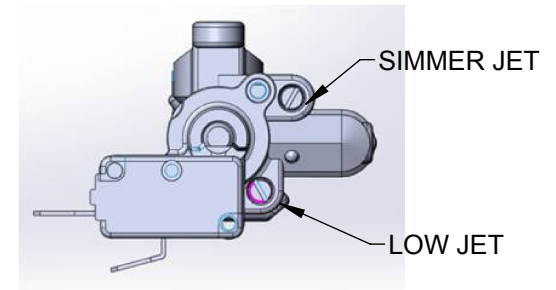
PART NO.	MAIN ORIFICES	Z (IN)	Z (MM)	STAMP	COLOR CODE	15.5k Dual Flow BURNER		23k Dual Flow BURNER	
						NG	LP	NG	LP
023690-046	ORIFICE, MAIN, DUAL FLOW BURNER, INDOOR, #46	0.081	2.05	-	YELLOW, BLACK			X	
023690-052	ORIFICE, MAIN, DUAL FLOW BURNER, INDOOR, #52	0.064	1.60	-	WHITE, BLACK	X			
023690-055	ORIFICE, MAIN, DUAL FLOW BURNER, INDOOR, #55	0.052	1.32	-	YELLOW, RED				X
023690-058	ORIFICE, MAIN, DUAL FLOW BURNER, INDOOR, #58	0.042	1.07	-	WHITE, RED		X		

PART NO.	VALVE ORIFICES (JETS)	Z (IN)	Z (MM)	COLOR CODE (COPRECI)	COLOR CODE (ISPHORDING)	Dual Flow VALVE Low Orifice		Dual Flow VALVE Simmer Orifice	
						NG	LP	NG	LP
037011-065	KIT, ORIFICE, VALVE, INDOOR, #65	0.035	0.88	-	BLACK	X			
037011-073	KIT, ORIFICE, VALVE, INDOOR, #73	0.024	0.61	-	RED		X		
037011-080	KIT, ORIFICE, VALVE, INDOOR, #80	0.0135	0.34	-	YELLOW			X	
037011-087	KIT, ORIFICE, VALVE, INDOOR, #87	0.010	0.25	-	WHITE				X



**DUAL BURNER ASSY.**

ITEM NO.	PART NO.	DESCRIPTION	QTY.
1	018436	D-INNER BURNER HEAD, DUAL FLOW, RESIDENTIAL INDOOR	1
2	018419	D-DUAL BURNER HEAD, DUAL FLOW, RESIDENTIAL INDOOR	1
3	018418	D-CROSS RING, DUAL FLOW, RESIDENTIAL INDOOR	1
4	018421	D-BEAUTY RING, DUAL FLOW, RESIDENTIAL INDOOR	1
5	024189	SERVICE, IGNITOR KIT, DUAL FLOW BURNER	1
6	024244	SERVICE, MS, M4 X 12, SEALED BURNER, PKG 4	1
7	020399	BURNER BASE ASSY, DUAL FLOW, 23K - NG	2
8	020401	BURNER BASE ASSY, DUAL FLOW, 23K - LP	2
9	020400	BURNER BASE ASSY, DUAL FLOW, 15.5K - NG	2
10	020402	BURNER BASE ASSY, DUAL FLOW, 15.5K - LP	2



**HESTAN**

**SERVICE, DUAL FLOW BURNER ASSY.**

**A4**

DESCRIPTION

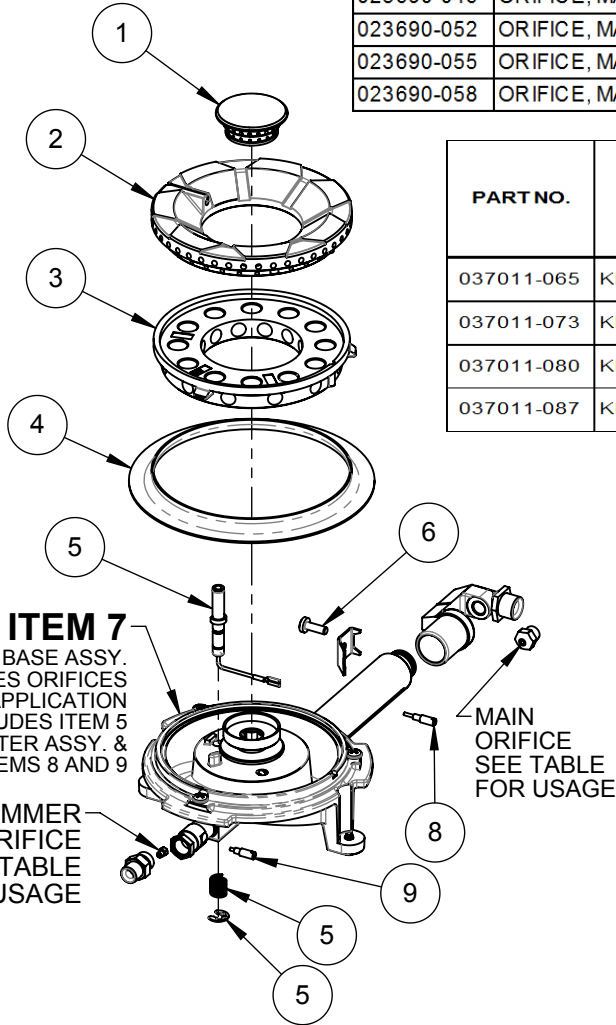
DRAWING NO



PART NO.	SIMMER ORIFICES	Z (IN)	Z (MM)	STAMP	COLOR CODE	15.5k Dual Flow BURNER		23k Dual Flow BURNER	
						NG	LP	NG	LP
023698-073	ORIFICE, SIMMER, DUAL FLOW BURNER, INDOOR, #73	0.024	0.61	V	BLACK	X		X	
023698-078	ORIFICE, SIMMER, DUAL FLOW BURNER, INDOOR, #78	0.016	0.41	T	RED		X		X

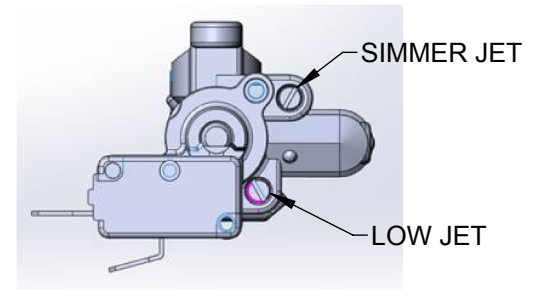
PART NO.	MAIN ORIFICES	Z (IN)	Z (MM)	STAMP	COLOR CODE	15.5k Dual Flow BURNER		23k Dual Flow BURNER	
						NG	LP	NG	LP
023690-046	ORIFICE, MAIN, DUAL FLOW BURNER, INDOOR, #46	0.081	2.05	-	YELLOW, BLACK			X	
023690-052	ORIFICE, MAIN, DUAL FLOW BURNER, INDOOR, #52	0.064	1.60	-	WHITE, BLACK	X			
023690-055	ORIFICE, MAIN, DUAL FLOW BURNER, INDOOR, #55	0.052	1.32	-	YELLOW, RED				X
023690-058	ORIFICE, MAIN, DUAL FLOW BURNER, INDOOR, #58	0.042	1.07	-	WHITE, RED		X		

PART NO.	VALVE ORIFICES (JETS)	Z (IN)	Z (MM)	COLOR CODE (COPRECI)	COLOR CODE (ISPHORDING)	Dual Flow VALVE Low Orifice		Dual Flow VALVE Simmer Orifice	
						NG	LP	NG	LP
037011-065	KIT, ORIFICE, VALVE, INDOOR, #65	0.035	0.88	-	BLACK	X			
037011-073	KIT, ORIFICE, VALVE, INDOOR, #73	0.024	0.61	-	RED		X		
037011-080	KIT, ORIFICE, VALVE, INDOOR, #80	0.0135	0.34	-	YELLOW			X	
037011-087	KIT, ORIFICE, VALVE, INDOOR, #87	0.010	0.25	-	WHITE				X



**SMART GAS  
DUAL BURNER ASSY.**

ITEM NO.	PART NO.	DESCRIPTION	QTY.
1	018436	D-INNER BURNER HEAD, DUAL FLOW, RESIDENTIAL INDOOR	1
2	018419	D-DUAL BURNER HEAD, DUAL FLOW, RESIDENTIAL INDOOR	1
3	018418	D-CROSS RING, DUAL FLOW, RESIDENTIAL INDOOR	1
4	018421	D-BEAUTY RING, DUAL FLOW, RESIDENTIAL INDOOR	1
5	024189	SERVICE, IGNITOR KIT, DUAL FLOW BURNER	1
6	024244	SERVICE, MS, M4 X 12, SEALED BURNER, PKG 4	1
7	036473	BURNER BASE ASSY, DUAL FLOW, SMART - NG	1
	036474	BURNER BASE ASSY, DUAL FLOW, SMART - LP	1
8	036038	TAP, PRESSURE SENSE, 6mm	1
9	036039	TAP, PRESSURE SENSE, 3mm	1



**HESTAN**

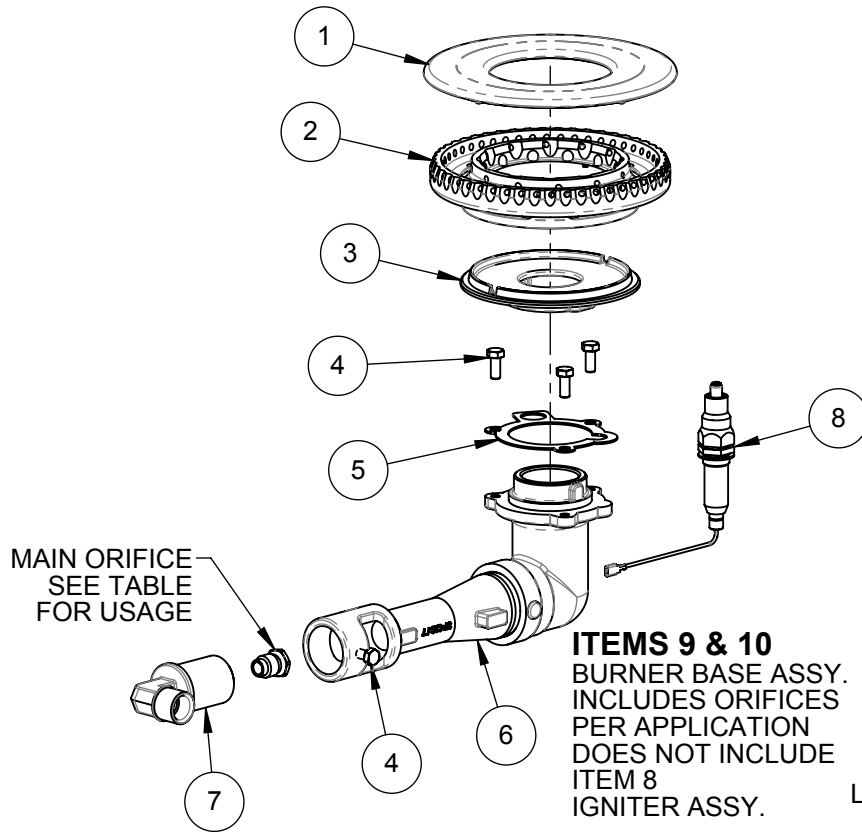
DESCRIPTION **SERVICE, DUAL FLOW SMART GAS BURNER ASSY.**

DRAWING NO

**A5**

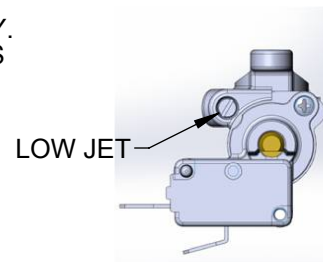
PART NO.	MAIN ORIFICES	Z (IN)	Z (MM)	STAMP	COLOR CODE	30k Single Flow BURNER	
						NG	LP
002039	ORIFICE, MAIN, SINGLE FLOW BURNER, #42, NG	0.0935	2.375	42	-	X	
004925	ORIFICE, MAIN, SINGLE FLOW BURNER, #54, LP	0.055	1.397	54	-		X

PART NO.	VALVE ORIFICES (JETS)	Z (IN)	Z (MM)	COLOR CODE (COPRECI)	COLOR CODE (ISPHORDING)	Single Flow VALVE Low Orifice	
						NG	LP
037011-062	KIT, ORIFICE, VALVE, INDOOR, #62	0.038	0.97	-	ORANGE	X	
037011-073	KIT, ORIFICE, VALVE, INDOOR, #73	0.024	0.61	-	RED		X



**SINGLE-FLOW BURNER ASSY.**

ITEM NO.	PART NO.	DESCRIPTION	QTY.
1	002058	BURNER RING, SEALED BURNER, SF	1
2	002055	HEAD, BURNER, SEALED BURNER, SF	1
3	002057	BURNER BASE, SEALED BURNER, SF	1
4	014390	SERVICE, SCREW, MOUNTING, M5X12, SEALED BURNER, PKG 4	1
5	002056	GASKET, MAIN, SEALED BURNER, SF	1
6	010662	ELBOW, SINGLE FLOW, FRONT, ASSY	1
7	002048	JET HOLDER, MAIN, SEALED BURNER, SF/DF	1
8	024190	SERVICE, IGNITER KIT, SEALED BURNER, SINGLE FLOW	1
9	028517	BURNER BASE ASSY, SINGLE FLOW, SEALED BURNER - NG	1
10	028518	BURNER BASE ASSY, SINGLE FLOW, SEALED BURNER - LP	1



**SINGLE-FLOW VALVE**



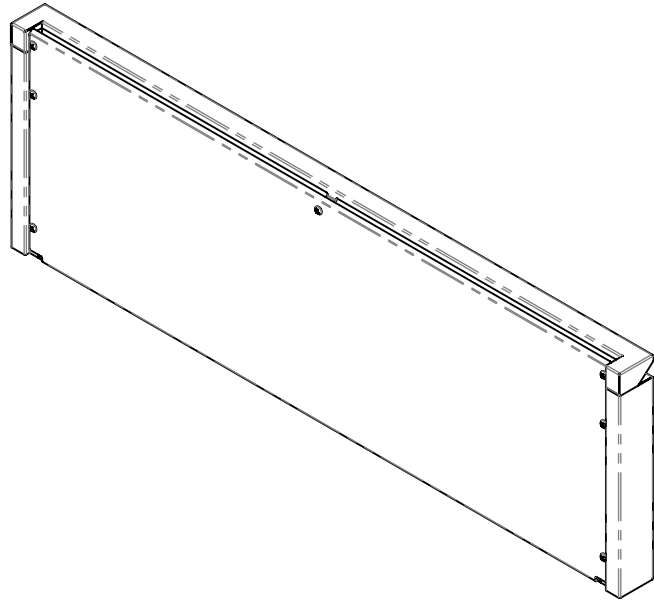
**SERVICE, SINGLE FLOW BURNER ASSY.**

DESCRIPTION

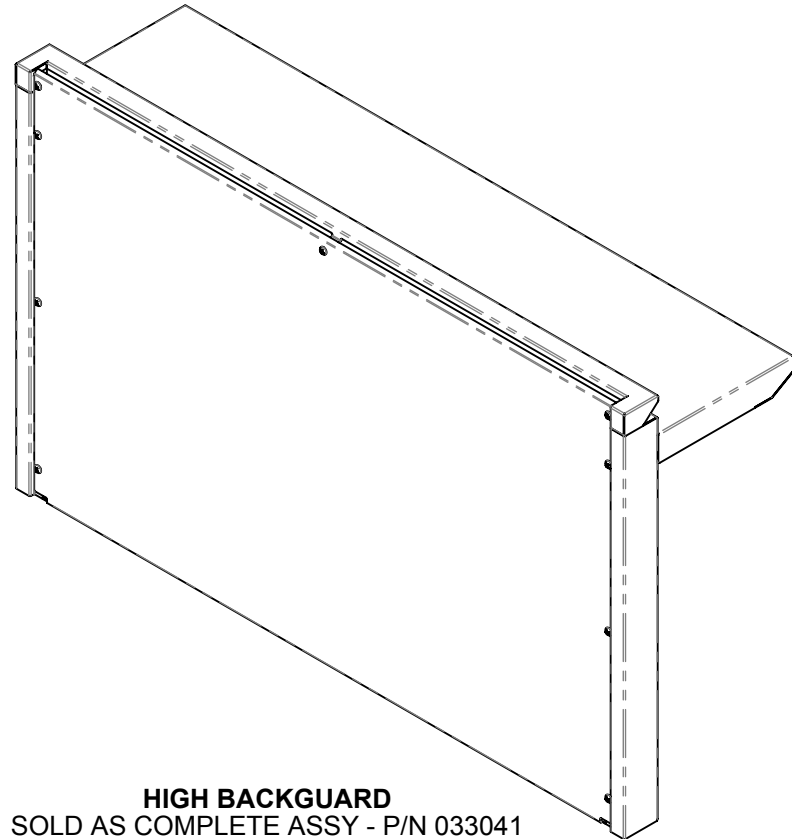
---

DRAWING NO

**A6**



**LOW BACKGUARD**  
SOLD AS COMPLETE ASSY - P/N 033028  
**(KBGLB36)**

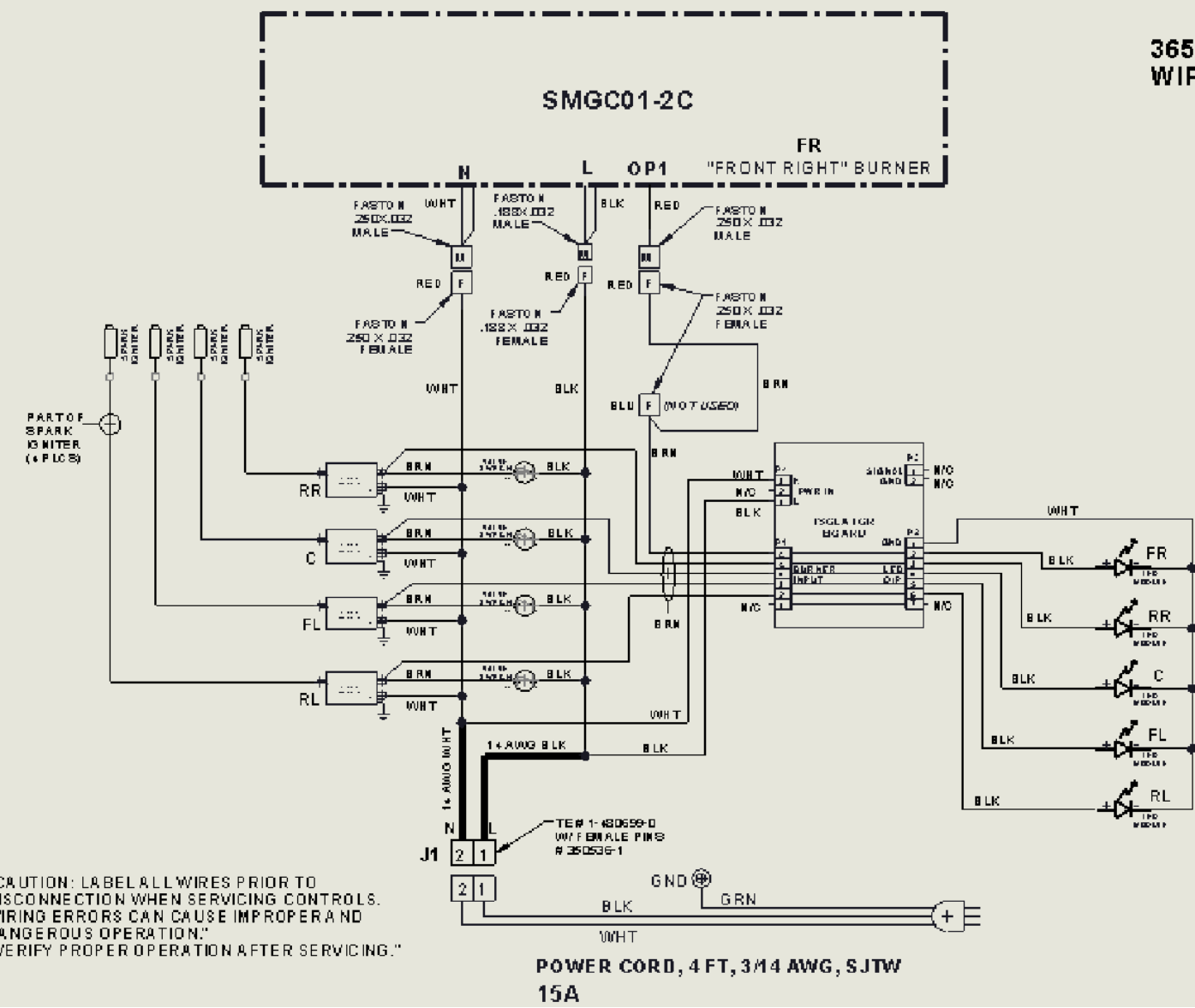


**HIGH BACKGUARD**  
SOLD AS COMPLETE ASSY - P/N 033041  
**(KBGHS36)**  
OR SHELF ONLY - P/N 020300



DESCRIPTION	<b>SERVICE, OTHER BACKGUARDS - 36"</b>
DRAWING NO	<b>A7</b>

**365 "RANGETOP"  
WIRE HARNESS # 019376**



**WIRING DIAGRAM, 365 SMART RANGETOP  
035607**



PROPRIETARY  
NO PART OF THIS DOCUMENT MAY BE REPRODUCED,  
STORED IN A RETRIEVAL SYSTEM, OR TRANSMITTED IN  
ANY FORM, WITHOUT THE WRITTEN PERMISSION OF  
Hestan Commercial Corporation. THIS DOCUMENT OR ANY  
COPIES SHALL BE RETURNED UPON WRITTEN REQUEST.

DESCRIPTION  
**SERVICE - RANGETOP, SMART, 5-BURNER,  
36"**

DRAWING NO  
**KRTS365-SERVICE**

REVISION  
**A**  
SHEET NO.  
11 OF 11