

SLIDE-IN INDUCTION RANGE PRODUCT GUIDE

GUIDE DE LA CUISINIÈRE À INDUCTION

AUTOPORTANTE

GUÍA DE PRODUCTO PARA LA ESTUFA DE

INDUCCIÓN EMPOTRADA

Table of Contents/Table des matières/Índice

OWNER'S MANUAL	2	MANUEL DE L'UTILISATEUR	28
RANGE SAFETY	2	SÉCURITÉ DE LA CUISINIÈRE	28
RANGE MAINTENANCE AND CARE	5	ENTRETIEN ET RÉPARATION DE LA	
INSTALLATION INSTRUCTIONS	7	CUISINIÈRE	31
REQUIREMENTS	7	INSTRUCTIONS D'INSTALLATION	33
INSTALLATION	10	SPÉCIFICATIONS	33
QUICK START GUIDE	15	INSTALLATION	37
CONTROL GUIDE	16	GUIDE DE DÉMARRAGE RAPIDE.....	42
		GUIDE DES COMMANDES	43
		MANUEL DEL PROPIETARIO.....	57
		SEGURIDAD DE LA ESTUFA.....	57
		MANTENIMIENTO Y CUIDADO DE LA ESTUFA ..	60
		INSTRUCCIONES DE INSTALACIÓN.....	62
		REQUISITOS	62
		INSTALACIÓN	66
		GUÍA DE INICIO RÁPIDA.....	71
		GUÍA DE LOS CONTROLES.....	72

Owner's Manual

RANGE SAFETY

Your safety and the safety of others are very important.

We have provided many important safety messages in this manual and on your appliance. Always read and obey all safety messages.



This is the safety alert symbol.

This symbol alerts you to potential hazards that can kill or hurt you and others.

All safety messages will follow the safety alert symbol and either the word "DANGER" or "WARNING." These words mean:

⚠ DANGER

You can be killed or seriously injured if you don't immediately follow instructions.

⚠ WARNING

You can be killed or seriously injured if you don't follow instructions.

All safety messages will tell you what the potential hazard is, tell you how to reduce the chance of injury, and tell you what can happen if the instructions are not followed.

The range will not tip during normal use. However, the range can tip if you apply too much force or weight to the open door without having the anti-tip bracket fastened down properly.

⚠ WARNING

Tip Over Hazard

A child or adult can tip the range and be killed.

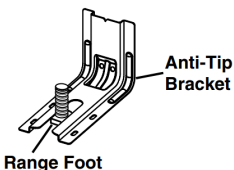
Install anti-tip bracket to floor or wall per installation instructions.

Slide range back so rear range foot is engaged in the slot of the anti-tip bracket.

Re-engage anti-tip bracket if range is moved.

Do not operate range without anti-tip bracket installed and engaged.

Failure to follow these instructions can result in death or serious burns to children and adults.



To verify the anti-tip bracket is properly installed and engaged:

- Slide range forward.
- Look for the anti-tip bracket securely attached to floor or wall.
- Slide range back so rear range foot is under the anti-tip bracket.
- See Installation Instructions for details.

IMPORTANT SAFETY INSTRUCTIONS

WARNING: To reduce the risk of fire, electric shock, or injury to persons when using the appliance, follow basic precautions, including the following:

- **WARNING:** TO REDUCE THE RISK OF TIPPING OF THE RANGE, THE RANGE MUST BE SECURED BY PROPERLY INSTALLED ANTI-TIP DEVICES. TO CHECK IF THE DEVICES ARE INSTALLED PROPERLY, SLIDE RANGE FORWARD, LOOK FOR ANTI-TIP BRACKET SECURELY ATTACHED TO FLOOR OR WALL, AND SLIDE RANGE BACK SO REAR RANGE FOOT IS UNDER ANTI-TIP BRACKET.
- **WARNING:** Danger of fire: Do not store items on the cooking surfaces. Never leave anything on the surface when unattended and not in use. Never place flammable or plastic items on or near the surface.
- **CAUTION:** Do not store items of interest to children in cabinets above an appliance or on the backguard of an appliance - children climbing on the appliance to reach items could be seriously injured.
- Proper Installation - The appliance, when installed, must be electrically grounded in accordance with local codes, or in the absence of local codes, with the *National Electrical Code, ANSI/NFPA 70* or the *Canadian Electrical Code, CSA C22.1-02*. In Canada, the appliance must be electrically grounded in accordance with Canadian Electrical Code. Be sure your appliance is properly installed and grounded by a qualified technician.
- Never Use Your Appliance for Warming or Heating the Room.
- Do Not Leave Children Alone - Children should not be left alone or unattended in area where appliance is in use. They should never be allowed to sit or stand on any part of the appliance.
- Wear Proper Apparel – Loose-fitting or hanging garments should never be worn while using the appliance.
- User Servicing – Do not repair or replace any part of the appliance unless specifically recommended in the manual. All other servicing should be referred to a qualified technician.
- This appliance is not intended for storage.
- Do Not Use Water on Grease Fires – Smother fire or flame or use dry chemical or foam-type extinguisher.
- Do not use replacement parts that have not been recommended by the manufacturer (e.g. parts made at home using a 3D printer).
- Use Only Dry Potholders – Moist or damp potholders on hot surfaces may result in burns from steam. Do not let potholder touch hot heating elements. Do not use a towel or other bulky cloth.
- DO NOT TOUCH SURFACE UNITS OR AREAS NEAR UNITS – Surface units may be hot even though they are dark in color. Areas near surface units may become hot enough to cause burns. During and after use, do not touch, or let clothing or other flammable materials contact surface units or areas near units until they have had sufficient time to cool. Among these areas are the coil elements, the cooktop, and surfaces facing the cooktop.
- Use Proper Pan Size – This appliance is equipped with one or more surface units of different size. Select utensils having flat bottoms large enough to cover the surface unit heating element. The use of undersized utensils will expose a portion of the heating element to direct contact and may result in ignition of clothing. Proper relationship of utensil to burner will also improve efficiency.
- Never Leave Surface Units Unattended at Higher Heat Settings - Cooking oils and animal fats are flammable, boilover may cause smoking, and greasy spillovers may ignite.
- Make Sure Reflector Pans or Drip Bowls Are in Place – Absence of these pans or bowls during cooking may subject wiring or components underneath to damage.
- Protective Liners – Do not use aluminum foil to line surface unit drip bowls or oven bottoms, except as suggested in the manual. Improper installation of these liners may result in a risk of electric shock, or fire.
- Glazed Cooking Utensils – Only certain types of glass, glass/ceramic, ceramic, earthenware, or other glazed utensils are suitable for range-top service without breaking due to the sudden change in temperature.
- Utensil Handles Should Be Turned Inward and Not Extend Over Adjacent Surface Units – To reduce the risk of burns, ignition of flammable materials, and spillage due to unintentional contact with the utensil, the handle of a utensil should be positioned so that it is turned inward, and does not extend over adjacent surface units.
- Do Not Soak Removable Heating Elements – Heating elements should never be immersed in water.
- Do Not Cook on Broken Cook-Top – If cook-top should break, cleaning solutions and spillovers may penetrate the broken cook-top and create a risk of electric shock. Contact a qualified technician immediately.
- Clean Cooktop With Caution – If a wet sponge or cloth is used to wipe spills on a hot cooking area, be careful to avoid steam burn. Some cleaners can produce noxious fumes if applied to a hot surface.
- Use Care When Opening Door – Let hot air or steam escape before removing or replacing food.
- Do Not Heat Unopened Food Containers – Build-up of pressure may cause container to burst and result in injury.
- Keep Oven Vent Ducts Unobstructed.
- Placement of Oven Racks – Always place oven racks in desired location while oven is cool. If rack must be moved while oven is hot, do not let potholder contact hot heating element in oven.
- DO NOT TOUCH HEATING ELEMENTS OR INTERIOR SURFACES OF OVEN – Heating elements may be hot even though they are dark in color. Interior surfaces of an oven become hot enough to cause burns. During and after use, do not touch, or let clothing or other flammable materials contact heating elements or interior surfaces of oven until they have had sufficient time to cool. Other surfaces of the appliance may become hot enough to cause burns – among these surfaces are oven vent openings and surfaces near these openings, oven doors, and windows of oven doors.

SAVE THESE INSTRUCTIONS

IMPORTANT SAFETY INSTRUCTIONS

- Care must be taken to prevent aluminum foil and meat probes from contacting heating elements.
- DO NOT PLACE METALLIC OBJECTS SUCH AS KNIVES, FORKS, SPOONS, AND LIDS ON THE COOKTOP SURFACE SINCE THEY CAN GET HOT.

For self-cleaning ranges –

- **CAUTION:** DO NOT LEAVE FOOD OR COOKING UTENSILS, ETC., IN OVEN DURING THE PYROLYTIC SELF-CLEANING MODE OF OPERATION.
- Do Not Clean Door Gasket – The door gasket is essential for a good seal. Care should be taken not to rub, damage, or move the gasket.

- Do Not Use Oven Cleaners – No commercial oven cleaner or oven liner protective coating of any kind should be used in or around any part of the oven.
- Clean Only Parts Listed in Manual.
- Before Self-Cleaning the Oven – Remove broiler pan and other utensils.

For units with ventilating hood –

- Clean Ventilating Hoods Frequently – Grease should not be allowed to accumulate on hood or filter.
- When flaming foods under the hood, turn the fan on.

SAVE THESE INSTRUCTIONS

This induction cooktop generates and uses ISM frequency energy that heats cookware by using an electromagnetic field. It has been tested and complies with Part 18 of the FCC Rules for ISM equipment. This induction cooktop meets the FCC requirements to minimize interference with other devices in residential installation.

This induction cooktop may cause interference with television or radio reception. If interference occurs, the user should try to correct the interference by:

- Relocating the receiving antenna of the radio or television.
- Increasing the distance between the cooktop and the receiver.
- Connecting the receiver into a different outlet.

It is the user's responsibility to correct any interference.

NOTE: People with a pacemaker or similar medical device should use care when standing near this induction cooktop while it is ON. The electromagnetic field may affect the pacemaker or similar device. Consult your doctor or the manufacturer of the pacemaker or similar medical device for additional information about its effects with electromagnetic fields of the induction cooktop.

IMPORTANT: Pan size, material, and positioning are very important to achieve the best results when using an induction cooktop. See "Induction Cooking" in the "Cooktop Use" and "Cookware" sections before using the cooktop.

This device complies with Part 18 of the FCC Rules.

This device complies with Industry Canada CAN ICES-001(B)/NMB-001(B).

RANGE MAINTENANCE AND CARE

Clean Cycle

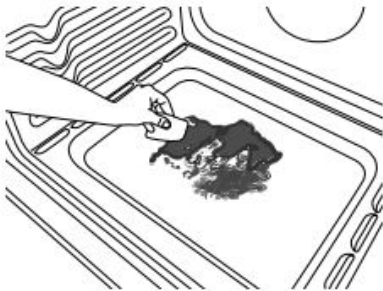


AquaLift® Technology is an innovative cleaning solution that utilizes heat and water to release baked-on spills from the oven in less than 1 hour. This new cleaning technology is a low-heat, odor-free alternative to traditional self-cleaning options.

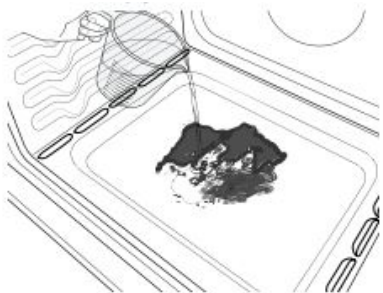
Allow the oven to cool to room temperature before using the Clean cycle. If your oven cavity is above 200°F (93°C), it will appear in the display, and the Clean cycle will not be activated until the oven cavity cools down.

To Clean:

1. Remove all racks and accessories from the oven cavity, and wipe excess soil. Use a plastic scraper to remove easily removed soils.



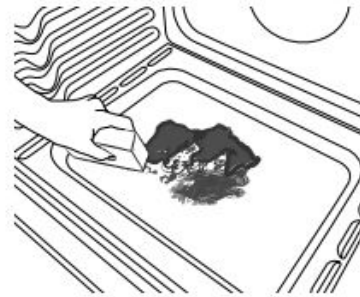
2. Pour 2 cups (16 oz [500 mL]) of distilled or filtered water onto the bottom of the empty oven, and close the oven door.



IMPORTANT: Do not use chemicals or other additives with the water. Do not open the oven door during the Clean cycle. The water on the oven bottom is hot.

3. Press CLEAN or AQUALIFT SELF CLEAN and then Start on the oven control panel.
4. Allow 40 minutes for cleaning and cool down. A beep will sound when the Clean cycle is complete.
5. Press Cancel at the end of the cycle. Cancel may be pressed at any time to stop the Clean cycle.

6. Remove the residual water and loosened soils with a sponge or cloth immediately after the Clean cycle is complete. Much of the initial 2 cups (16 oz [500 mL]) of water will remain in the oven after the cycle is completed. If additional soils remain, leave a small amount of water in the oven bottom to assist with the cleaning.



7. If any soils remain, remove them with a non-scratch scrubbing sponge or plastic scraper. Additional Clean cycles may be run to help remove the stubborn soils.

IMPORTANT: Do not use oven cleaners. The use of chemicals, including commercial oven cleaners or metal scouring pads, may cause permanent damage to the porcelain surface of the oven interior.

NOTES:

- The range should be level to ensure that the entire surface of the bottom of the oven cavity is covered by water at the beginning of the Clean cycle.
- For best results, use distilled or filtered water. Tap water may leave mineral deposits on the oven bottom.
- Before removing the residual water and loosened soils at the end of the Clean cycle, insert a cloth or paper towel between the lower edge of the oven door and the front frame to keep water from spilling onto the front of the range and the floor.
- Soil baked on through several cooking cycles will be more difficult to remove with the Clean cycle.
- Nonabrasive scrub sponges or eraser style cleaning pads (without cleaners) can be effective for cleaning the oven cavity walls, oven door and oven bottom for difficult soils. For best results, moisten the pads and sponges before use.
- Run an additional Clean cycle for stubborn soils.
- Affresh® Kitchen Appliance Cleaner and affresh® Cooktop Cleaner may be used to clean the oven bottom, walls, and door when the oven has finished the cycle and returned to room temperature. If affresh® Cooktop Cleaner is used, it is recommended to wipe out the cavity with distilled water as well. Refer to the Quick Start Guide for ordering information.
- Additional AquaLift® Technology Cleaning Kits may be obtained by ordering Part Number W10423113RP. Refer to the Quick Start Guide for ordering information.
- For assistance with AquaLift® Technology, call **1-877-258-0808** in the U.S.A. or **1-800-807-6777** in Canada, or visit our website at <http://whirlpoolcorp.com/aqualift>.

General Cleaning

IMPORTANT: Before cleaning, make sure all controls are off and the oven and cooktop are cool. Always follow label instructions on cleaning products.

Soap, water, and a soft cloth or sponge are suggested first, unless otherwise noted.

EXTERIOR PORCELAIN ENAMEL SURFACES (on some models)

Food spills containing acids, such as vinegar and tomato, should be cleaned as soon as the entire range is cool. These spills may affect the finish.

Cleaning Method:

- Glass cleaner, mild liquid cleaner, or nonabrasive scrubbing pad: Gently clean around the model/serial/rating plate because scrubbing may remove numbers.
- Affresh® Kitchen and Appliance Cleaner Part Number W10355010 (not included):
See the Quick Start Guide for contact information.

STAINLESS STEEL (on some models)

NOTE: To avoid damage to stainless steel surfaces, do not use soap-filled scouring pads, abrasive cleaners, Cooktop Cleaner, steel-wool pads, gritty washcloths, or abrasive paper towels. Damage may occur to stainless steel surfaces, even with one-time or limited use.

Cleaning Method:

Rub in direction of grain to avoid damaging.

- Affresh® Stainless Steel Cleaner Part Number W10355016 (not included):
See the Quick Start Guide for contact information.

METALLIC PAINT (on some models)

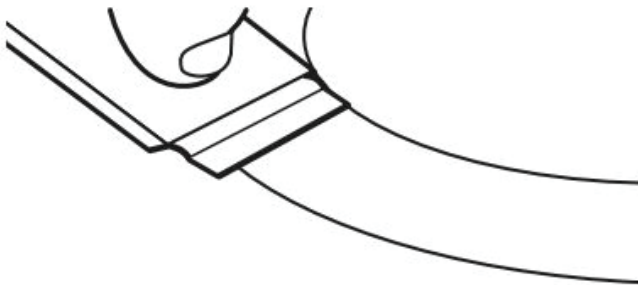
Do not use abrasive cleaners, cleaners with bleach, rust removers, ammonia, or sodium hydroxide (lye) because paint surface may stain.

CERAMIC GLASS COOKTOP CLEANING

Cleaning Method:

To avoid damaging the cooktop, do not use steel wool, abrasive powder cleansers, chlorine bleach, rust remover, or ammonia.

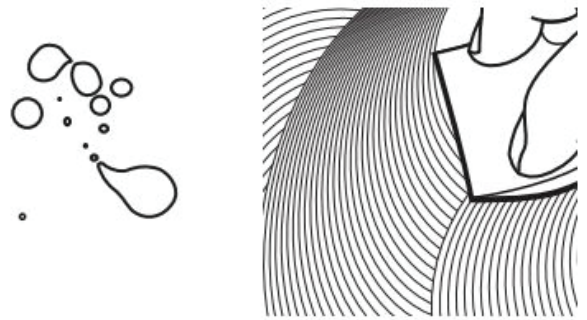
1. Remove food/residue with the Cooktop Scraper.



- For best results, use the Cooktop Scraper while the cooktop is still warm but not hot to the touch. It is recommended to wear an oven mitt while scraping the warm cooktop.
- Hold the Cooktop Scraper at approximately a 45° angle against the glass surface and scrape the residue. It will be necessary to apply pressure in order to remove the residue.

Allow the cooktop to cool down completely before proceeding to Step 2.

2. Apply a few dime-sized drops of Cooktop Cleaner to the affected areas.



- Rub affresh® Cleaner onto the cooktop surface with the blue Cooktop Cleaning Pad. Some pressure is needed to remove stubborn stains.
- Allow the cleaner to dry to a white haze before proceeding to Step 3.

3. Polish with a clean, dry cloth or a clean, dry paper towel.



- Repeat steps 1 through 3 as necessary for stubborn or burned-on stains.

The Complete Cooktop Cleaner Kit is available for order including the following:

- Cooktop Scraper
- Affresh® Cooktop Cleaner
- Blue Cooktop Cleaning Pads

See the Quick Start Guide for ordering information.

CONTROL PANEL AND OVEN DOOR EXTERIOR

To avoid damage to the control panel, do not use abrasive cleaners, steel-wool pads, gritty washcloths, or abrasive paper towels.

Cleaning Method:

- Glass cleaner and soft cloth or sponge: Apply glass cleaner to soft cloth or sponge, not directly on panel.
- Affresh® Kitchen and Appliance Cleaner Part Number W10355010 (not included):
See the Quick Start Guide for contact information.

OVEN RACKS

Cleaning Method:

- Steel-wool pad.
- For racks that have discolored and are harder to slide, a light coating of vegetable oil applied to the rack guides will help them slide.
- Dishwasher (steam rack water reservoir only, not racks): Although the water reservoir is durable, it may lose its shine and/or discolor when washed in a dishwasher.

BAKING DRAWER (on some models)

Check that baking drawer is cool and empty before cleaning.

Food spills should be cleaned when oven cools. At high temperatures, foods react with porcelain. Staining, etching, pitting, or faint white spots can result.

Cleaning Method:

- Mild detergent

Warming Drawer, Baking drawer, or Premium Storage Drawer

Check that Warming Drawer, Baking drawer, or Premium Storage Drawer is cool and empty before cleaning.

Cleaning Method:

- Mild detergent

OVEN CAVITY

Depending on your model, use AquaLift® Technology or Self-Clean cycle regularly to clean oven spills.

Do not use oven cleaners.

Food spills should be cleaned when oven cools. At high temperatures, foods react with porcelain. Staining, etching, pitting, or faint white spots can result.

Cleaning Method:

- Clean cycle: See "Clean Cycle" first.

INSTALLATION INSTRUCTIONS REQUIREMENTS

Tools and Parts

Gather the required tools and parts before starting installation. Read and follow the instructions provided with any tools listed here.

Tools needed

- Tape measure
- Flat-blade screwdriver
- Phillips screwdriver
- Level
- Hammer
- Hand or electric drill
- Wrench or pliers
- Marker or pencil
- Flashlight
- Torque Wrench
- Masking tape
- 1/4" (6.4 mm) drive ratchet
- 1/4" (6.4 mm) nut driver
- 3/8" (9.5 mm) and 5/16" (8 mm) nut driver
- 1/8" (3.2 mm) drill bit (for wood floors)
- Tin snips or large wire cutters (for cutting ground-link strap if necessary)

Parts supplied

Check that all parts are included.

- #10 x 1 5/8" (4.1 cm) screws (for mounting anti-tip bracket) (2)
- Anti-tip bracket (inside oven cavity)

Anti-tip bracket must be securely mounted to the back wall or floor. Thickness of flooring may require longer screws to anchor bracket to subfloor. Longer screws are available from your local hardware store.

- Oven racks (3)

Optional Parts

To purchase these or any other accessories, refer to the Quick Start Guide for ordering information.

■ Side Trim Kits:

- 5/8" (1.7 cm) White - Order Part Number W10675027
- 5/8" (1.7 cm) Black - Order Part Number W10675026
- 5/8" (1.7 cm) Stainless Steel - Order Part Number W10675028

- 1 1/8" (2.9 cm) White - Order Part Number W10731885
- 1 1/8" (2.9 cm) Black - Order Part Number W10731886
- 1 1/8" (2.9 cm) Stainless Steel - Order Part Number W10731887

■ Backsplash Kits:

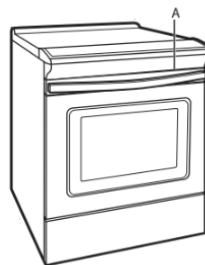
- High 6" (15.2 cm) White - Order Part Number W10655448
- High 6" (15.2 cm) Black - Order Part Number W10655449
- High 6" (15.2 cm) Stainless Steel - Order Part Number W10655450

NOTE: Be sure to purchase only Whirlpool factory-certified parts and accessories for your appliance. Your installation may require additional parts. To order, refer to the contact information referenced in your Quick Start Guide.

Location Requirements

IMPORTANT: Observe all governing codes and ordinances.

- It is the installer's responsibility to comply with installation clearances specified on the model/serial/rating plate. The model/serial/rating plate is located behind the oven door on the top right-hand side of the oven frame.



A. Model/serial/rating plate

- The range should be located for convenient use in the kitchen.
- Recessed installations must provide complete enclosure of the sides and rear of the range.
- To eliminate the risk of burns or fire by reaching over the heated surface units, cabinet storage space located above the surface units should be avoided. If cabinet storage is to be provided, the risk can be reduced by installing a range hood or microwave hood combination that projects horizontally a minimum of 5" (12.7 cm) beyond the bottom of the cabinets.
- All openings in the wall or floor where range is to be installed must be sealed.
- Cabinet opening dimensions that are shown must be used. Given dimensions are minimum clearances.
- The anti-tip bracket must be installed. To install the anti-tip bracket shipped with the range, see "Install Anti-Tip Bracket" section.
- Grounded electrical supply is required. See the appropriate "Electrical Requirements" section.
- Contact a qualified floor covering installer to check that the floor covering can withstand at least 200°F (93°C).
- Use an insulated pad or 1/4" (0.64 cm) plywood under range if installing range over carpeting.

IMPORTANT: To avoid damage to your cabinets, check with your builder or cabinet supplier to make sure that the materials used will not discolor, delaminate or sustain other damage. This oven has been designed in accordance with the requirements of UL and CSA International and complies with the maximum allowable wood cabinet temperatures of 194°F (90°C).

Mobile Home - Additional Installation Requirements

The installation of this range must conform to the Manufactured Home Construction and Safety Standard, Title 24 CFR, Part 3280 (formerly the Federal Standard for Mobile Home Construction and Safety, Title 24, HUD Part 280). When such standard is not applicable, use the Standard for Manufactured Home Installations, ANSI A225.1/NFPA 501A or with local codes.

In Canada, the installation of this range must conform with the current standards CAN/CSA-Z240.1-latest edition, or with local codes.

Cabinet Dimensions

Cabinet opening dimensions shown are for 25" (64.0 cm) countertop depth, 24" (61.0 cm) base cabinet depth and 36" (91.4 cm) countertop height.

IMPORTANT: If installing a range hood or microwave hood combination above the range, follow the range hood or microwave hood combination installation instructions for dimensional clearances above the cooktop surface.

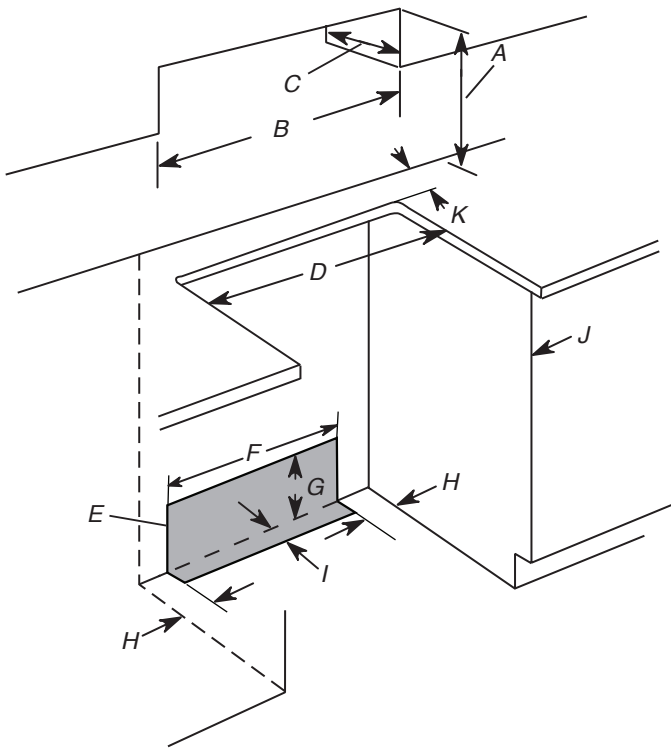
Range may be installed next to combustible walls with zero clearance.

NOTE: When installed in a slide-in cutout, the front of oven door may protrude beyond the base cabinet.

Mobile home installations require:

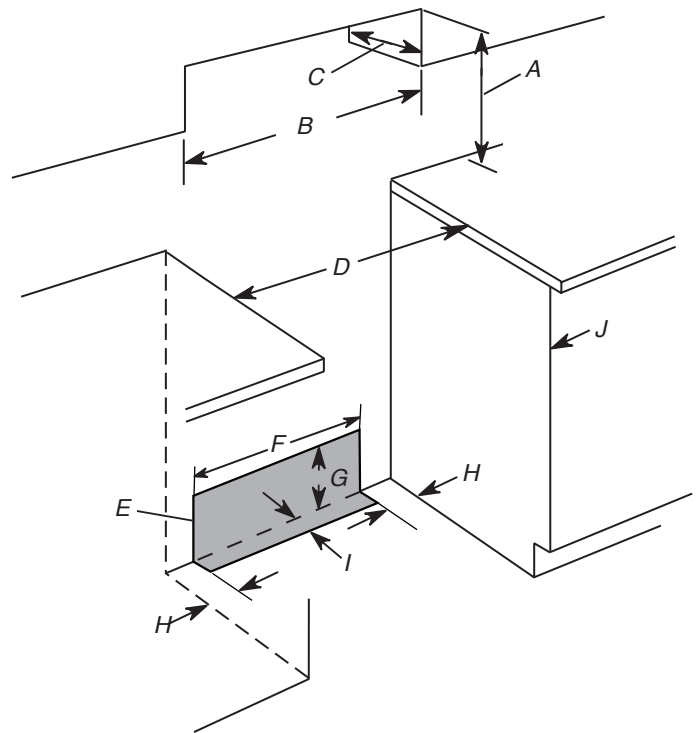
- When this range is installed in a mobile home, it must be secured to the floor during transit. Any method of securing the range is adequate as long as it conforms to the standards listed above.
- Four-wire power supply cord or cable must be used in a mobile home installation. The appliance wiring will need to be revised. See "Electrical Connection - U.S.A. Only" section.

Slide-In Cutout



- A. For minimum clearance to top of cooktop, see NOTE*.
- B. 30" (76.2 cm) minimum opening width
- C. 13" (33 cm) maximum upper cabinet depth
- D. 30" (76.2 cm) minimum opening width
- E. The shaded area is recommended for installation of rigid gas pipe and grounded outlet.
- F. 13 $\frac{1}{8}$ " (33.3 cm)
- G. 7 $\frac{11}{16}$ " (19.5 cm)
- H. 4 $\frac{13}{16}$ " (12.2 cm)
- I. 3 $\frac{11}{16}$ " (9.4 cm) plus measurement of M
- J. Cabinet door or hinges should not extend into the cutout.
- K. Remaining counter depth should not exceed 2 $\frac{1}{4}$ " (5.7 cm).

Freestanding Cutout




- A. For minimum clearance to top of cooktop, see NOTE*.
- B. 30" (76.2 cm) minimum opening width
- C. 13" (33 cm) maximum upper cabinet depth
- D. 30" (76.2 cm) minimum opening width
- E. The shaded area is recommended for installation of rigid gas pipe and grounded outlet.
- F. 13 $\frac{1}{8}$ " (33.3 cm)
- G. 7 $\frac{11}{16}$ " (19.5 cm)
- H. 4 $\frac{13}{16}$ " (12.2 cm)
- I. 3 $\frac{11}{16}$ " (9.4 cm)
- J. Cabinet door or hinges should not extend into the cutout.

***NOTE:** 24" (61.0 cm) minimum when bottom of wood or metal cabinet is shielded by not less than 1/4" (0.64 cm) flame retardant millboard covered with not less than No. 28 MSG sheet steel, 0.015" (0.4 mm) stainless steel, 0.024" (0.6 mm) aluminum or 0.020" (0.5 mm) copper.

30" (76.2 cm) minimum clearance between the top of the cooking platform and the bottom of an uncovered wood or metal cabinet.

Electrical Requirements - U.S.A. Only

⚠ WARNING



Electrical Shock Hazard

Electrically ground appliance.

Failure to do so could result in death, fire, or electrical shock.

Be sure that the electrical connection and wire size are adequate and in conformance with the National Electrical Code, ANSI/NFPA 70-latest edition and all local codes and ordinances.

A copy of the above code standards can be obtained from:
 National Fire Protection Association
 1 Batterymarch Park
 Quincy, MA 02169-7471

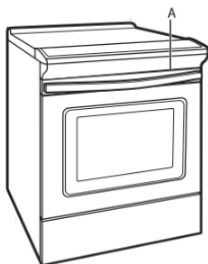
WARNING: Improper connection of the equipment-grounding conductor can result in a risk of electric shock. Check with a qualified electrician or service technician if you are in doubt as to whether the appliance is properly grounded. Do not modify the power supply cord plug. If it will not fit the outlet, have a proper outlet installed by a qualified electrician.

Electrical Connection

Check local codes and consult gas supplier. Check existing electrical supply and gas supply. See "Gas Supply Requirements" section.

It is recommended that all electrical connections be made by a licensed, qualified electrical installer.

- Range must be connected to the proper electrical voltage and frequency as specified on the model/serial/rating plate. The model/serial/rating plate is located behind the oven door on the top right-hand side of the oven frame.



A. Model/serial/rating plate (located behind the oven door on the top right-hand side of the oven frame)

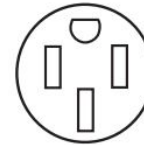
- This range is manufactured with a 4-wire power supply cord rated at 240 V, 40 A, rated at 194°F (90°C) and investigated for use with this range.

Range Rating*		Specified Rating of Power Supply Cord Kit and Circuit Protection
120/240 V	120/208 V	Amps
8.8-16.5 kW	7.8-12.5 kW	40 or 50**
16.6-22.5 kW	12.6-18.5 kW	50

*The NEC calculated load is less than the total connected load listed on the model/serial/rating plate.

**If connecting to a 50 A circuit, use a 50 A rated cord with kit. For 50 A rated cord kits, use kits that specify use with a nominal 1³/₈" (34.9 mm) diameter connection opening.

- When a 4-wire, single phase 240 V, 60 Hz, AC only electrical supply is available, a 40 A minimum circuit protection is required on 30" (76.2 cm) ranges, fused on both sides of the line.
- A time-delay fuse or circuit breaker is recommended.
- This range is equipped with a UL or CSA International Certified Power Cord intended to be plugged into a standard 14-50R wall receptacle. Be sure the wall receptacle is within reach of range's final location.



- Do not use an extension cord.
- The wiring diagram is located on the back of the range or in a clear plastic bag.

Electrical Requirements - Canada Only

⚠ WARNING



Electrical Shock Hazard

Electrically ground appliance.

Failure to do so could result in death, fire, or electrical shock.

Be sure that the electrical connection and wire size are adequate and in conformance with CSA Standard C22.1, Canadian Electrical Code, Part 1 - latest edition, and all local codes and ordinances.

A copy of the above code standards can be obtained from:
 Canadian Standards Association
 178 Rexdale Blvd.
 Toronto, ON M9W 1R3 CANADA

- Check with a qualified electrical installer if you are not sure the range is properly grounded.

Range Rating*		Specified Rating of Power Supply Cord Kit and Circuit Protection
120/240 V	120/208 V	Amps
8.8-16.5 kW	7.8-12.5 kW	40 or 50**
16.6-22.5 kW	12.6-18.5 kW	50

*The NEC calculated load is less than the total connected load listed on the model/serial/rating plate.

**If connecting to a 50 A circuit, use a 50 A rated cord with kit. For 50 A rated cord kits, use kits that specify use with a nominal 1³/₈" (34.9 mm) diameter connection opening.

- When a 4-wire, single phase 240 V, 60 Hz, AC only electrical supply is available, a 40 A minimum circuit protection is required on 30" (76.2 cm) ranges, fused on both sides of the line.
- A time-delay fuse or circuit breaker is recommended.
- This range is equipped with a UL or CSA International Certified Power Cord intended to be plugged into a standard 14-50R wall receptacle. Be sure the wall receptacle is within reach of range's final location.



- Do not use an extension cord.
- The wiring diagram is located on the back of the range or in a clear plastic bag.

INSTALLATION

Unpack Range

⚠WARNING

Excessive Weight Hazard

Use two or more people to move and install or uninstall appliance.

Failure to do so can result in back or other injury.

- Remove shipping materials, tape and film from the range. Keep cardboard bottom under range. Do not dispose of anything until the installation is complete.
- Remove oven racks and parts package from oven and shipping materials.
- To remove cardboard bottom, first take 4 cardboard corners from the carton. Stack one cardboard corner on top of another. Repeat with the other 2 corners. Place them lengthwise on the floor behind the range to support the range when it is laid on its back.
- Using 2 or more people, firmly grasp the range and gently lay it on its back on the cardboard corners.

- Remove cardboard bottom.

The leveling legs can be adjusted while the range is on its back. See the "Adjust Leveling Legs" section.

NOTE: To place range back up into a standing position, put a sheet of cardboard or hardboard on the floor in front of range to protect the flooring. Using 2 or more people, stand range back up onto the cardboard or hardboard.

Install Anti-Tip Bracket

⚠WARNING



Tip Over Hazard

A child or adult can tip the range and be killed.

Install anti-tip bracket to floor or wall per installation instructions.

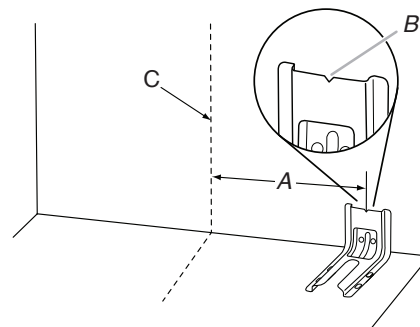
Slide range back so rear range foot is engaged in the slot of the anti-tip bracket.

Re-engage anti-tip bracket if range is moved.

Do not operate range without anti-tip bracket installed and engaged.

Failure to follow these instructions can result in death or serious burns to children and adults.

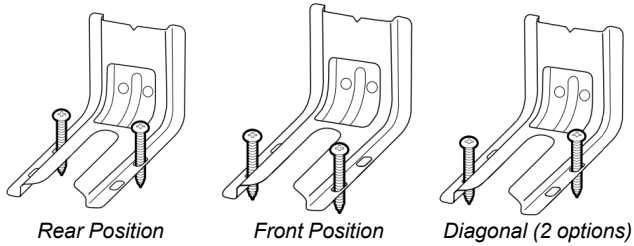
- Remove the anti-tip bracket from the inside of the oven.
- Determine which mounting method to use: floor or wall. If you have a stone or masonry floor, you can use the wall mounting method. If you are installing the range in a mobile home, you must secure the range to the floor. This anti-tip bracket and screws can be used with wood or metal studs.
- Determine and mark centerline of the cutout space. The mounting can be installed on either the left-side or right-side of the cutout. Position mounting bracket against the wall in the cutout so that the V-notch of the bracket is 12¹/₂" (31.8 cm) from centerline as shown.



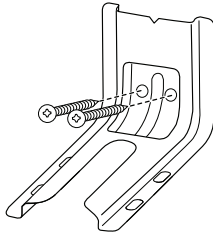
- A. 12¹/₂" (31.8 cm)
- B. Bracket V-notch
- C. Centerline

- Drill two 1/8" (3 mm) holes that correspond to the bracket holes of the determined mounting method. See the following illustrations.

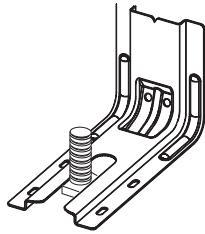
Floor Mounting



Wall Mounting



- Using the two #10 x 1⁵/₈" (4.1 cm) Phillips-head screws provided, mount anti-tip bracket to the wall or floor.
- Move range close enough to opening to allow for final electrical connections. Remove shipping base, cardboard or hardboard from under range.
- Move range into its final location, making sure rear leveling leg slides into anti-tip bracket.



- Move range forward onto shipping base, cardboard or hardboard to continue installing the range using the following installation instructions.

Adjust Leveling Legs

- If range height adjustment is necessary, use a wrench or pliers to loosen the four leveling legs.

This may be done with the range on its back or with the range supported on two legs after the range has been placed back to a standing position.

NOTE: To place range back up into a standing position, put a sheet of cardboard or hardboard in front of range. Using two or more people, stand range back up onto the cardboard or hardboard.

⚠ WARNING



Tip Over Hazard

A child or adult can tip the range and be killed.

Install anti-tip bracket to floor or wall per installation instructions.

Slide range back so rear range foot is engaged in the slot of the anti-tip bracket.

Re-engage anti-tip bracket if range is moved.

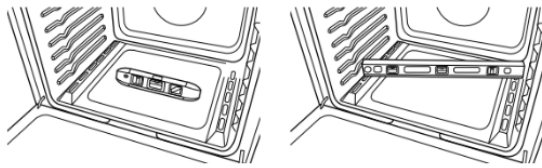
Do not operate range without anti-tip bracket installed and engaged.

Failure to follow these instructions can result in death or serious burns to children and adults.

- Measure the distance from the top of the counter to the floor.
 - Measure the distance from the top of the cooktop to the bottom of the leveling legs. This distance should be the same. If it is not, adjust the leveling legs to the correct height. The leveling legs can be loosened to add up to a maximum of 1" (2.5 cm). A minimum of 3/16" (5 mm) is needed to engage the anti-tip bracket.
- NOTE:** If height adjustment is made when range is standing, tilt the range back to adjust the front legs, and then tilt forward to adjust the rear legs.
- When the range is at the correct height, check that there is adequate clearance under the range for the anti-tip bracket. Before sliding range into its final location, check that the anti-tip bracket will slide under the range and onto the rear leveling leg prior to anti-tip bracket installation.
- NOTE:** If a Trim Kit will be used, the top of the cooktop should be higher than the counter. See the Installation Instructions included with the Trim Kit for the correct height.

Level Range

1. Place level on the oven bottom, as indicated in one of the two figures below, depending on the size of the level. Check with the level side to side and front to back.



2. If range is not level, use a wrench or pliers to adjust leveling legs up or down until the range is level.

NOTE: Range must be level for satisfactory baking performance and best cleaning results using AquaLift® Self-Clean Technology.

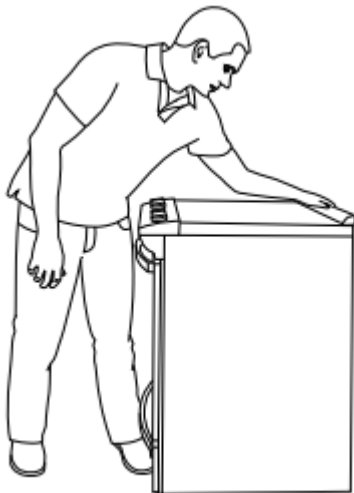
Verify Anti-Tip Bracket Is Installed and Engaged

On Ranges Equipped with a Premium Storage Drawer:

1. Slide range into final location, making sure rear leveling leg slides into anti-tip bracket.
2. Remove the premium storage drawer. See the "Remove/Replace Drawer" section.
3. Use a flashlight to look underneath the bottom of the range.
4. Visually check that the rear range foot is inserted into the slot of the anti-tip bracket.

On Ranges Equipped with a Warming Drawer or Baking Drawer:

1. Slide range into final location, making sure rear leveling leg slides into anti-tip bracket. Leave a 1" (2.5 cm) gap between the back of the range and the back wall.
2. Place the outside of your foot against the bottom front of the warming drawer or baking drawer to keep the range from moving, and then grasp the back of the range, as shown.



3. Slowly attempt to tilt the range forward.

If you encounter immediate resistance, the range foot is engaged in the anti-tip bracket. Go to Step 8.

4. If the rear of the range lifts more than 1/2" (1.3 cm) off the floor without resistance, stop tilting the range and lower it gently back to the floor. The range foot is not engaged in the anti-tip bracket.

IMPORTANT: If there is a snapping or popping sound when lifting the range, the range may not be fully engaged in the bracket. Check to see if there are obstructions keeping the range from sliding to the wall or keeping the range foot from sliding into the bracket. Verify that the bracket is held securely in place by the mounting screws.

5. Slide the range forward, and verify that the anti-tip bracket is securely attached to the floor or wall.
6. Slide range back so the rear range foot is inserted into the slot of the anti-tip bracket.
7. Repeat steps 1 and 2 to ensure that the range foot is engaged in the anti-tip bracket.

If the rear of the range lifts more than 1/2" (1.3 cm) off the floor without resistance, the anti-tip bracket may not be installed correctly. Do not operate the range without anti-tip bracket installed and engaged. Please refer to the Quick Start Guide for contact information.

8. Move the range into its final location. Check that the range is level by placing a level on the oven bottom. See the "Level Range" section.

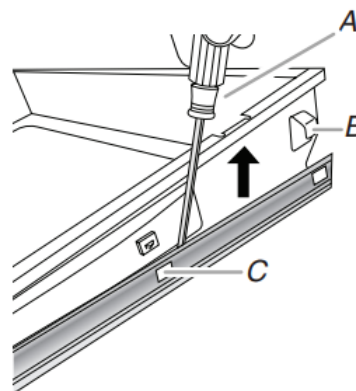
IMPORTANT: If the range is moved to adjust the leveling legs, verify that the anti-tip bracket is engaged by repeating steps 1 to 8.

Remove/Replace Drawer

Remove all items from inside the warming drawer, baking drawer, or premium storage drawer and then allow the range to cool completely before attempting to remove the drawer.

To Remove:

1. Open the drawer to its fully open position.
2. Using a flat-blade screwdriver, gently loosen the drawer from the glide alignment notch, and then lift up the drawer alignment tab from the glide.

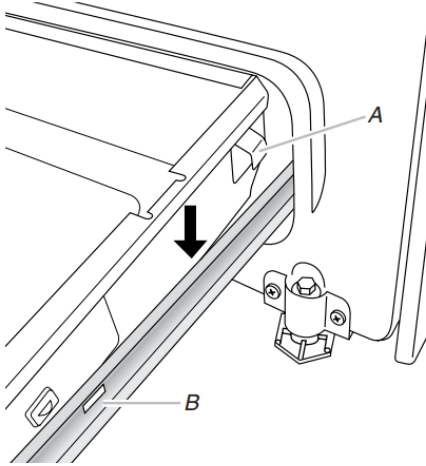


- A. Flat-blade screwdriver
- B. Drawer alignment tab
- C. Drawer glide notch

3. Repeat Step 2 on the other side. The drawer is no longer attached to the drawer glides. Using both hands, pick up the drawer to complete the removal.

To Replace:

1. Align the forward drawer notches with the notches in the drawer glides on both sides. Place the rear alignment tabs into the drawer glides on both sides.



A. Drawer alignment tab
B. Drawer glide notch

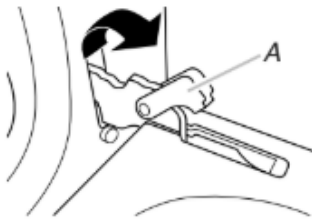
2. Push the drawer in all the way.
3. Gently open and close the drawer to ensure it is seated properly on the glides on both sides.

Oven Door

For normal range use, it is not suggested to remove the oven door. However, if removal is necessary, make sure the oven is off and cool. Then, follow these instructions. The oven door is heavy.

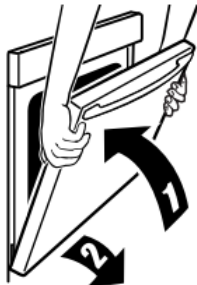
To Remove:

1. Open oven door all the way.
2. Pinch the hinge latch between two fingers and pull forward. Repeat on other side of oven door.



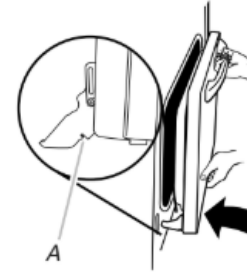
A. Hinge latch

3. Close the oven door as far as it will shut.
 4. Lift the oven door while holding both sides.
- Continue to push the oven door closed and pull it away from the oven door frame.



To Replace:

1. Insert both hanger arms into the door. Be sure that the hinge notches are engaged in the oven door frame.



A. Hinge notch

2. Open the oven door.
The door should be able to open all the way.
3. Move the hinge levers back to the locked position. Check that the door is free to open and close and is level while closed. If it is not, repeat the removal and installation procedures.

Complete Installation

1. Check that all parts are now installed. If there is an extra part, go back through the steps to see which step was skipped.
2. Check that you have all of your tools.
3. Check that you have all of the range accessories, especially oven racks. These accessories may be in the range packaging.
4. Dispose of/recycle all packaging materials.
5. Check that the range is level. See the "Level Range" section.
6. Use a mild solution of liquid household cleaner and warm water to remove waxy residue caused by shipping material. Dry thoroughly with a soft cloth. For more information, see the "Range Maintenance and Care" section.
7. Read the Quick Start Guide and online Control Guide.
8. Plug power cord into appropriate outlet. Turn power on.
9. Turn on surface burners and oven. See the Quick Start Guide and online Control Guide for specific instructions on range operation.

NOTE: Odors and smoke are normal when the oven is used the first few times.

If Range Does Not Operate, Check the Following:

- Household fuse is intact and tight; or circuit breaker has not tripped.
- Range is plugged into a grounded outlet.
- Electrical supply is connected.

IMPORTANT: If the range control displays an "F9" or "F9, E0" error code, the electrical outlet in the home may be miswired. Disconnect power and contact a qualified electrician to verify the electrical supply.


10. When the range has been on for 5 minutes, check for heat. If the range is cold, turn off the range and contact a qualified electrician.

If You Need Assistance or Service:

Please reference the Quick Start Guide for contact information.

Moving the Range

⚠ WARNING

An illustration showing a person from behind, pushing a large, dark rectangular range. The range is tilted at an angle, indicating it is tipping over. The person is positioned at the bottom left corner of the range.

Tip Over Hazard

A child or adult can tip the range and be killed.

Install anti-tip bracket to floor or wall per installation instructions.

Slide range back so rear range foot is engaged in the slot of the anti-tip bracket.

Re-engage anti-tip bracket if range is moved.

Do not operate range without anti-tip bracket installed and engaged.

Failure to follow these instructions can result in death or serious burns to children and adults.

When moving range, slide range onto cardboard or hardboard to avoid damaging the floor covering.

If removing the range is necessary for cleaning or maintenance:

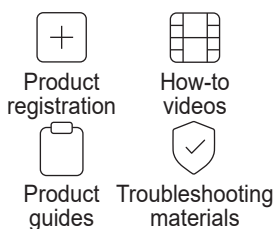
For power supply cord-connected ranges:

1. Slide range forward.
2. Unplug the power supply cord.
3. Complete cleaning or maintenance.
4. Plug in power supply cord.
5. Check that the anti-tip bracket is installed and engaged. See the "Verify Anti-Tip Bracket Is Installed and Engaged" section.
6. Check that range is level.

Quick Start Guide

PRODUCT REGISTRATION AND OWNER INFORMATION

YOUR QR CODE UNLOCKS



YOUR QR CODE UNLOCKS... product registration and warranty information, installation instructions, how-to videos, and additional accessories to get the most out of your product. If you purchased a smart appliance, your QR code will provide instructions on how to download the app and connect. You can access the full Installation, User Maintenance and Operating Instructions, Warranty details, and more by visiting our website at www.kitchenaid.com/owners or www.kitchenaid.ca/owners. This may save you the cost of a service call. To receive a free printed copy of the information online, call us at 1-800-422-1230 (U.S.A.) / 1-800-807-6777 (Canada) or write to us at:

KitchenAid Brand Home Appliances
Customer eXperience Center
553 Benson Road
Benton Harbor, MI 49022-2692

KitchenAid Brand Home Appliances
Customer eXperience Center Unit
200-6750 Century Ave.
Mississauga, Ontario L5N 0B7

Register to access warranty information and receive important notifications related to your product. Scan the Photo Registration Card or QR code to register your product.

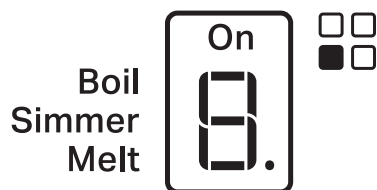
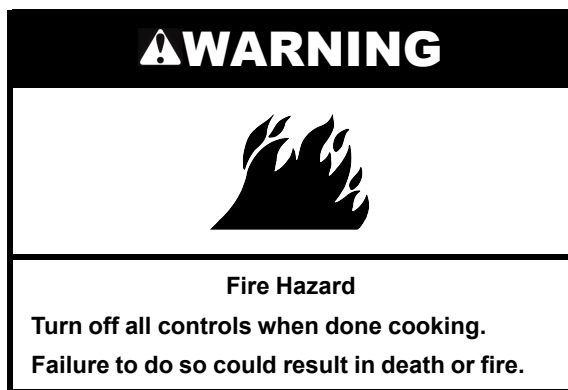
OPERATING INSTRUCTIONS

WARNING: To reduce the risk of fire, electric shock, or injury to persons, read the IMPORTANT SAFETY INSTRUCTIONS, located in your appliance's Owner's Manual, before operating this appliance.

Using Your Oven

- Step 1.** Select oven function.
 - Step 2.** Set the temperature.
 - Step 3.** Press Start.
 - Step 4.** Place food inside the oven once set temperature is reached. Close the oven door.
 - Step 5.** (Optional) Enter time to cook.
 - Step 6.** The Cancel button can be used to cancel the function during or after cook time.
- NOTE:** For more detailed instructions on specific functions, see the online Control Guide.

Using Your Range



To use press power, touch respective display area to turn on the desired heating element.



Select a heat setting from "L" through "H" by touching/sliding on the power slider.

REMEMBER: When range is in use, the entire cooktop area may become hot.

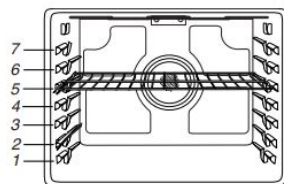
POSITIONING RACKS AND BAKEWARE

IMPORTANT: To avoid permanent damage to the porcelain finish, do not place food or bakeware directly on the oven door or bottom.

Racks

- Position racks before turning on the oven.
- Do not position racks with bakeware on them.
- Make sure racks are level.

To position a rack, pull it out to the stop position, raise the front edge, and then lift out. Use the following illustration as a guide.

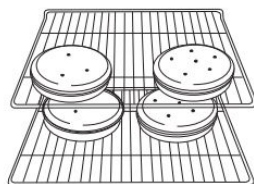


For hamburger patties to have a well-seared exterior and a rare interior, use a flat rack in rack position 7. Side 1 should cook for approximately 2 1/2 to 3 1/2 minutes. Side 2 should cook for approximately 4 to 5 minutes. Expect a moderate degree of smoke when broiling.

BAKING COOKIES AND LAYER CAKES ON 2 RACKS

Baking Layer Cakes

For best results when baking cakes on 2 racks, use the Bake function, a flat rack in rack position 3, and a roll-out rack in rack position 5. Place the cakes on the racks as shown. Keep at least 3" (7.6 cm) of space between the front of the racks and the front cakes.



Baking Cookies

For best results when baking cookies on 2 racks, use the Convection Bake function, a flat rack in rack position 3, and a roll-out rack in rack position 5.

ALUMINUM FOIL

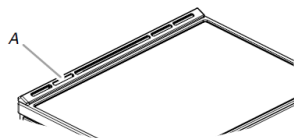
IMPORTANT: To avoid permanent damage to the oven bottom finish, do not line the oven bottom with any type of foil or liner.

For best cooking results, do not cover entire oven rack with foil because air must be able to move freely.

IMPORTANT: Do not allow aluminum foil and meat probes to contact heating elements.

OVEN VENT

The oven vent releases hot air and moisture from the oven, and should not be blocked or covered. Blocking or covering the oven vent will cause poor air circulation, affecting cooking and cleaning results. Do not set plastics, paper or other items that could melt or burn near the oven vent.



A. Oven vent

OVEN LIGHT

The oven light is a 40 W halogen bulb. Before replacing, make sure the oven and cooktop are cool and the control knobs are in the Off position.

To Replace:

- Disconnect power.
- Turn the glass bulb cover in the back of the oven counterclockwise to remove.
- Remove bulb from socket.
- Replace bulb, using tissue or wearing cotton gloves to handle bulb. To avoid damage to or decreasing the life of the new bulb, do not touch bulb with bare fingers.
- Replace bulb cover by turning clockwise.
- Reconnect power.

IMPORTANT: Do not use lamps rated higher than 40 W.

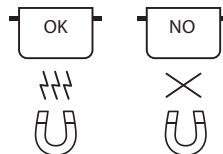
SABBATH MODE:

The Sabbath Mode sets the oven to remain on the bake setting until disabled.

For guidance on usage and a complete list of models with Sabbath Mode, visit www.star-k.org or contact us as per the information provided above.

Induction Ready Cookware

POTS AND PANS



Only use pots and pans made from ferromagnetic material which are suitable for use with induction cooktop:

- Enameled steel.
- Cast iron
- Stainless steel designed for induction cooktops.

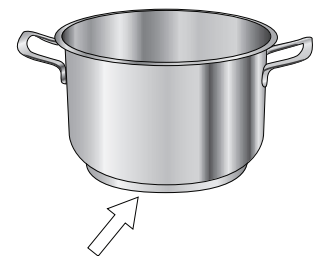
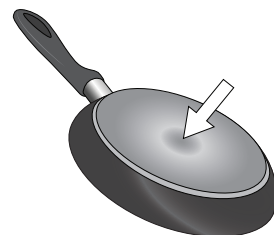
To determine whether a pot is suitable, a magnet may be used to check whether pots are magnetic.

The quality and the structure of the pot base can alter cooking performance. Some indications for the diameter of the base do not correspond to the actual diameter of the ferromagnetic surface.

Some pots and pans have only a part of the bottom in ferromagnetic material, with parts in another material that is not suitable for induction cooking. These areas may heat up at different levels or with lower temperatures. In certain cases, where the bottom is made mainly of non-ferromagnetic materials, the cooktop might not recognize the pan and therefore not switch on the cooking zone.



To ensure optimum efficiency, always use pots and pans with a flat bottom that distributes the heat evenly. If the bottom is uneven, this will affect power and heat conduction



Empty pots or pots with a thin base

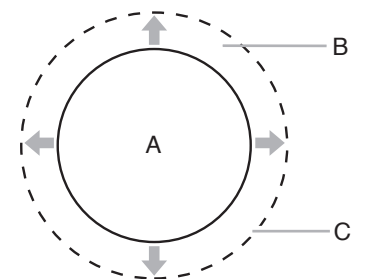
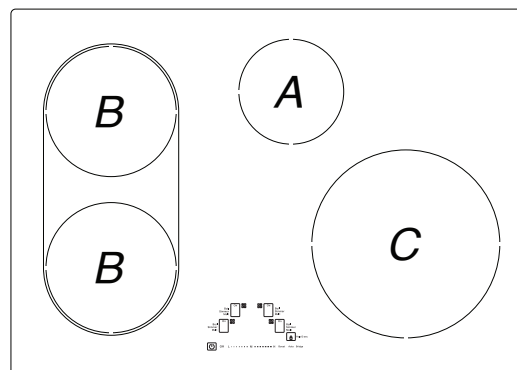
Do not use empty pots or pans when the cooktop is on.

Proper size of pot/pan base for the different cooking areas

To ensure that the cooktop functions properly, use pots of a suitable minimum diameter.

Always use the cooking zone that best corresponds to the minimum diameter of the bottom of the pot.

Place the pot making sure it is well centered on the cooking zone in use. Use cookware about the same size as the surface cooking area. Cookware should not extend more than 1/2" (1.3 cm) outside the area.



Minimum recommended pot diameters

- A. 4 3/4" (12 cm) minimum
- B. 5 1/16" (14.5 cm) minimum
- C. 7 1/16" (18 cm) minimum

A. Surface cooking area
B. Cookware/canner
C. 1/2" (1.3 cm) Maximum overhang

Control Guide

FEATURE GUIDE

WARNING: To reduce the risk of fire, electric shock, or injury to persons, read the IMPORTANT SAFETY INSTRUCTIONS, located in your appliance's Owner's Manual, before operating this appliance.

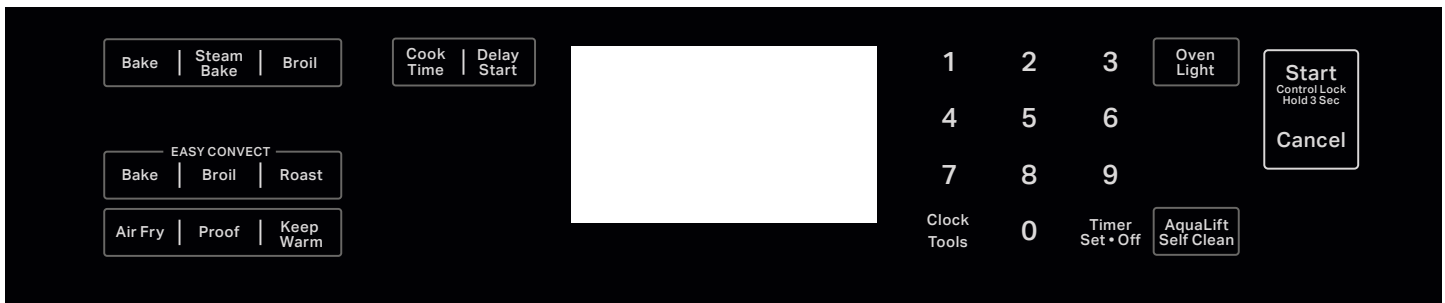
This manual covers several models. Your model may have some or all of the items listed. Refer to this manual or the Product Help section of our website at www.kitchenaid.com/owners for more detailed instructions. In Canada, refer to the Product Help Section at www.kitchenaid.ca/owners.

⚠ WARNING

Food Poisoning Hazard

Do not let food sit for more than one hour before or after cooking.

Doing so can result in food poisoning or sickness.



KEYPAD	FEATURE	INSTRUCTIONS
Clock/Tools	Clock	This clock can use a 12- or 24-hour cycle. See the “Electronic Oven Controls” section. <ol style="list-style-type: none"> 1. Press Clock/Tools until “Clock” is displayed. 2. Use the number keypads to set the time of day. 3. Press Start to change the time. 4. Press “3” for AM or “6” for PM.
Clock/Tools	Settings	Enables you to personalize the audible tones and oven operation to suit your needs. See the “Electronic Oven Controls” section.
Clock/Tools	Energy save	<ol style="list-style-type: none"> 1. Press Clock/Tools until “Energy Save” is displayed. 2. The current setting will be displayed. 3. Press the “1” keypad to adjust the setting. 4. Press Cancel to exit and display the time of day. <p>If Energy Save is on, the range will go into sleep mode after 5 minutes of inactivity. Any keypad press will activate the display. If Energy Save is off, the display will be on at all times.</p>
Oven Light	Oven cavity light	The oven light is controlled by a keypad on the oven control panel. While the oven door is closed, press Oven Light to turn the light on and off. When the oven door is opened, the oven light will automatically come on.
Timer Set-Off	Oven timer	The Timer can be set in hours or minutes up to 9 hours and 59 minutes. <ol style="list-style-type: none"> 1. Press Timer Set-Off. 2. Press the number keypads to set the length of time in hr-hr-min-min. Leading zeroes do not have to be entered. For example, for 2 minutes, enter “2.” 3. Press Timer Set-Off to begin the countdown. If enabled, one tone will sound at end of countdown. 4. Press Timer Set-Off again to cancel the Timer and return to the time of day. Do not press Cancel because the oven will turn off. 5. If the Timer is running but not in the display, press Timer Set-Off to display the countdown for 5 seconds.
Start	Cooking start	The Start pad begins any oven function. If Start is not pressed within 2 minutes after pressing a keypad, the function is canceled and the time of day is displayed.
Cancel	Range function	The Cancel keypad stops any function for the oven except the Clock and Timer.

KEYPAD	FEATURE	INSTRUCTIONS
Bake	Baking and roasting	<ol style="list-style-type: none"> 1. Press Bake. 2. Press the number keypads to set the desired temperature. If the temperature entered is not in the range of the temperatures allowed, the minimum or maximum allowed temperature will be displayed. Enter a temperature in the allowable range. 3. Press Start. 4. To change the temperature, repeat steps 2 and 3. 5. Press Cancel when finished.
Steam Bake	Steam bake	<ol style="list-style-type: none"> 1. Insert the steam rack with water reservoir in the oven. 2. Pour 1½ cups (350 mL) of warm water into the water reservoir. NOTE: Do not fill past the MAX mark. 3. Press Steam Bake. 4. Press the number keypad to select the desired food option. 5. Press the number keypads to set the temperature. 6. Press Start. 7. (Optional) Press Cook Time. Press the number keypads to set the cook time. 8. Press Start. 9. Insert food when preheating finishes. 10. Press Cancel when finished. NOTE: Let oven cool before removing and emptying water reservoir.
Broil	Broiling	<ol style="list-style-type: none"> 1. Press Broil. 2. Press the number keypads to set the desired temperature. If the temperature entered is not in the range of the temperatures allowed, the minimum or maximum allowed temperature will be displayed. Enter a temperature in the allowable range. 3. Press Start and allow the oven to preheat for 2 minutes. 4. To change the temperature, repeat steps 2 and 3. 5. Position the cookware in the oven and close the door. 6. Press Cancel when finished.
Proof	Proofing bread	<ol style="list-style-type: none"> 1. Place prepared dough in oven. Press Proof. 2. Press Start. Let the dough rise until nearly doubled in size. Proofing time may vary depending on dough type and quantity. 3. Press Cancel when finished proofing. Refer to the “Proofing Bread” section for more information.
Keep Warm	Hold warm	<p>Food must be at serving temperature before placing it in the warmed oven.</p> <ol style="list-style-type: none"> 1. Press Keep Warm. 2. Press the number keypads to set the desired temperature. If the temperature entered is not in the range of the temperatures allowed, the minimum or maximum allowed temperature will be displayed. Enter a temperature in the allowable range. 3. Press Start. 4. Press Cancel when finished.
EASY CONVECT Bake	Convection cooking	<ol style="list-style-type: none"> 1. Press EASY CONVECT Bake. 2. Press “1” to have the oven automatically convert the temperature and time for convection baking. Press “2” to manually convert the temperature and time. 3. Press the number keypads to set the desired temperature. If the temperature entered is not in the range of the temperatures allowed, the minimum or maximum allowed temperature will be displayed. Enter a temperature in the allowable range. 4. Press Start. 5. (Optional) Press the number keypads to set a cook time. 6. Press Start. 7. To change the temperature, repeat steps 2 and 3. 8. Press Cancel when finished.

KEYPAD	FEATURE	INSTRUCTIONS
EASY CONVECT Broil	Convection cooking	<ol style="list-style-type: none"> 1. Press EASY CONVECT Broil. 2. Press "1" to have the oven automatically convert the temperature and time for convection baking. Press "2" to manually convert the temperature and time. 3. Press the number keypads to set the desired temperature. If the temperature entered is not in the range of the temperatures allowed, the minimum or maximum allowed temperature will be displayed. Enter a temperature in the allowable range. 4. Press Start. 5. (Optional) Press the number keypads to set a cook time. 6. Press Start. 7. To change the temperature, repeat steps 2 and 3. 8. Press Cancel when finished.
EASY CONVECT Roast	Convection cooking	<ol style="list-style-type: none"> 1. Press EASY CONVECT Roast. 2. Press "1" to have the oven automatically convert the temperature and time for convection baking. Press "2" to manually convert the temperature and time. 3. Press the number keypads to set the desired temperature. If the temperature entered is not in the range of the temperatures allowed, the minimum or maximum allowed temperature will be displayed. Enter a temperature in the allowable range. 4. Press Start. 5. (Optional) Press the number keypads to set a cook time. 6. Press Start. 7. To change the temperature, repeat steps 2 and 3. 8. Press Cancel when finished.
Delay Start	Delayed start	<p>The Delay Start keypad is used to enter the starting time for an oven function with a delayed start. Delay Start should not be used for foods such as breads and cakes because they may not bake properly.</p> <p>To set a Timed Cook or a Delayed Timed Cook, see the "Cook Time" section.</p>
Cook Time	Timed cooking	<p>Timed cooking allows the oven to be set to turn on at a certain time of day, cook for a set length of time, and/or shut off automatically.</p> <p>To set a Timed Cook or a Delayed Timed Cook, see the "Cook Time" section.</p>
AquaLift Self Clean	Clean cycle	See the "Clean Cycle" section in the Owner's Manual.
Start (Control Lock Hold 3 Sec)	Oven control lockout	<p>No keypads will function with the controls locked. The cooktop functions are not affected by the oven control lockout.</p> <ol style="list-style-type: none"> 1. Check that the oven is OFF. 2. Press and hold Start (Control Lock Hold 3 Sec) for 3 seconds. 3. A tone will sound, and "Control Locked" will scroll, and then "Locked" will be displayed. 4. Repeat to unlock. No keypads will function with the controls locked. The cooktop functions are not affected by the oven control lockout.
Air Fry	Air frying	<ol style="list-style-type: none"> 1. Place food directly into the oven cavity. 2. Press Air Fry. 3. Enter desired temperature using the number keypad. A tone will sound if the temperature entered is too low or too high. 4. Press the Start keypad. There is no preheat or preheat tone. 5. To change the temperature, repeat Step 2. Press the Start keypad. 6. Press Cancel when finished. <p>NOTE: The convection fan and elements will shut off when the oven door is opened until the oven door is closed. All timers, including any active Cook Time or Timed Cook functions, will continue to count down.</p>

AquaLift® Self-Cleaning Technology



AquaLift® Self-Cleaning Technology is a first-of-its-kind cleaning solution designed to minimize the time, temperature and odors that ordinarily come with traditional self-cleaning methods. With AquaLift® Self-Cleaning Technology, an exclusive coating on the interior of the oven is activated with heat and water to release baked-on soil. To use AquaLift® Self-Cleaning Technology, simply wipe out loose debris, pour water into the oven bottom and run the AquaLift® Self-Cleaning cycle. When the cycle finishes in under 1 hour at a lower temperature than traditional self-cleaning methods, just wipe out the remaining water and loose debris. See the "Clean Cycle" section in the Owner's Manual for more detailed instructions. For additional information, frequently asked questions and videos on using AquaLift® Self-Cleaning Technology, visit our website at <http://whirlpoolcorp.com/aqualift>.

Surface Temperature

When the range is in use, all range surfaces may become hot, such as the knobs and oven door.

Storage Drawer

When the oven is in use, the drawer may become hot. Do not store plastics, cloth, or other items that could melt or burn in the drawer.

Oven Vent

The oven vent releases hot air and moisture from the oven, and should not be blocked or covered. Do not set plastics, paper or other items that could melt or burn near the oven vent.

Electronic Oven Controls

Control Display

The display will flash when powered up or after a power loss. Press Cancel to clear. When the oven is not in use, the time of day is displayed. If the range is in Energy Save mode, the display will be blank when not in use.

Tones

Tones are audible signals, indicating the following:

One Tone

- Valid keypad press.
- Oven is preheated (long tone).
- Function has been entered.
- Reminder, repeating each minute after the end-of-cycle tones.

Three Tones

- Invalid keypad press.

Four Tones

- End of cycle.

Use the Clock/Tools keypad to change the tone settings.

Energy Save

The Energy Save mode puts the range into sleep mode and reduces energy consumption.

To Activate the Energy Save Mode:

1. Press Clock/Tools until "ENERGY SAVE" is displayed.
2. The current setting will be displayed.
3. Press the "1" keypad to adjust the setting.
4. Press Cancel to exit and display the time of day.
5. The setting will be activated after 5 minutes.

To Deactivate the Energy Save Mode

1. Press Clock/Tools until "ENERGY SAVE" is displayed.
2. The current setting will be displayed.
3. Press the "1" keypad to adjust the setting.
4. Press Cancel to exit and display the time of day.
5. The clock will reappear in the display and the range can be operated as usual.

Settings

Many features of the oven control can be adjusted to meet your personal needs. These changes are made using the Clock/Tools keypad.

Use the Clock/Tools keypad to scroll through the features that can be changed. Each press of the Clock/Tools keypad will advance the display to the next setting. After selecting the feature to be changed, the control will prompt you for the required input. Then press Start or Cancel to exit and display the time of day. Details of all of the feature changes are explained in the following sections.

Press Cancel to exit Settings.

Clock

The Clock can use a 12- or 24-hour cycle.

1. Press Clock/Tools until "CLOCK" is displayed.
2. Use the number keypads to set the time of day.
3. Press Start to change the time.
4. Press "3" for AM or "6" for PM.

Fahrenheit and Celsius

The temperature is preset to Fahrenheit but can be changed to Celsius.

1. Press Clock/Tools until "TEMP UNIT" is displayed.
2. The current setting will be displayed.
3. Press the "1" keypad to adjust the setting.
4. Press Start or Cancel to exit and display the time of day.

Audible Tones Disable

Turns off all tones, including the end-of-cycle tone and keypad tones. Reminder tones are still active when all tones are disabled.

1. Press Clock/Tools until "SOUND" is displayed.
2. The current setting will be displayed.
3. Press the "1" keypad to adjust the setting.
4. Press Start or Cancel to exit and display the time of day.

Sound Volume

Sets the volume of the tone to either high or low.

1. Press Clock/Tools until "SOUND VOLUME" is displayed.
2. The current setting will be displayed.
3. Press the "1" keypad to adjust the setting.
4. Press Start or Cancel to exit and display the time of day.

End of Cycle Tone

Activates or turns off the tones that sound at the end of a cycle.

1. Press Clock/Tools until "END TONE" is displayed.
2. The current setting will be displayed.
3. Press the "1" keypad to adjust the setting.
4. Press Start or Cancel to exit and display the time of day.

Reminder Tones Disable

Turns off the short repeating tone that sounds every 1 minute after the end-of-cycle tones.

1. Press Clock/Tools until "REMINDER TONE" is displayed.
2. The current setting will be displayed.
3. Press the "1" keypad to adjust the setting.
4. Press Start or Cancel to exit and display the time of day.

Keypress Tones

Activates or turns off the tones when a keypad is pressed.

1. Press Clock/Tools until "KEYPRESS TONE" is displayed.
2. The current setting will be displayed.
3. Press the "1" keypad to adjust the setting.
4. Press Start or Cancel to exit and display the time of day.

Demo Mode

IMPORTANT: This feature is intended for use on the sales floor with 120 V power connection and permits the control features to be demonstrated without heating elements turning on. If this feature is activated, the oven will not work.

1. Press Clock/Tools until "DEMO MODE" is displayed.
2. The current setting will be displayed.
3. Press the "1" keypad to adjust the setting.
4. Press Start or Cancel to exit and display the time of day.

12-Hour Shutoff

The oven control is set to automatically shut off the oven 12 hours after the oven initiates a cook or clean function. This will not interfere with any timed or delay cook functions.

1. Press Clock/Tools until "12Hr AUTO_OFF" is displayed.
2. The current setting will be displayed.
3. Press the "1" keypad to adjust the setting.
4. Press Start or Cancel to exit and display the time of day.

12/24 Hour Clock

1. Press Clock/Tools until "12/24 HOUR" is displayed.
2. The current setting will be displayed.
3. Press the "1" keypad to adjust the setting.
4. Press Start or Cancel to exit and display the time of day.

Sabbath Mode

The Sabbath mode sets the oven to remain ON in a bake setting until turned off.

When the Sabbath mode is set, only the Bake cycle will operate. All other cooking and cleaning cycles are disabled. No tones will sound and the displays will not indicate temperature changes.

When the oven door is opened or closed, the oven light will not turn on or off and the heating elements will not turn on or off immediately.

To Enable Sabbath Mode Capability (One Time Only):

1. Press Clock/Tools until "SABBATH" is displayed.
2. The current setting will be displayed.
3. Press the "1" keypad to adjust the setting.
4. Press Start or Cancel to exit and display the time of day.

Languages - Scrolling Display Text

Language options are English, Spanish and French.

1. Press Clock/Tools until "LANGUAGE" is displayed.
2. The current setting will be displayed.
3. Press the "1" or "2" keypad to select the desired language.
4. Press Start or Cancel to exit and display the time of day.

Oven Temperature Offset Control

IMPORTANT: Do not use a thermometer to measure oven temperature. Elements will cycle on and off as needed to provide consistent temperature but may run slightly hot or cool at any point in time due to this cycling. Most thermometers are slow to react to temperature change and will not provide an accurate reading due to this cycling.

The oven provides accurate temperatures; however, it may cook faster or slower than your previous oven, so the temperature can be adjusted to personalize it for your cooking needs. It can be changed to Fahrenheit or Celsius.

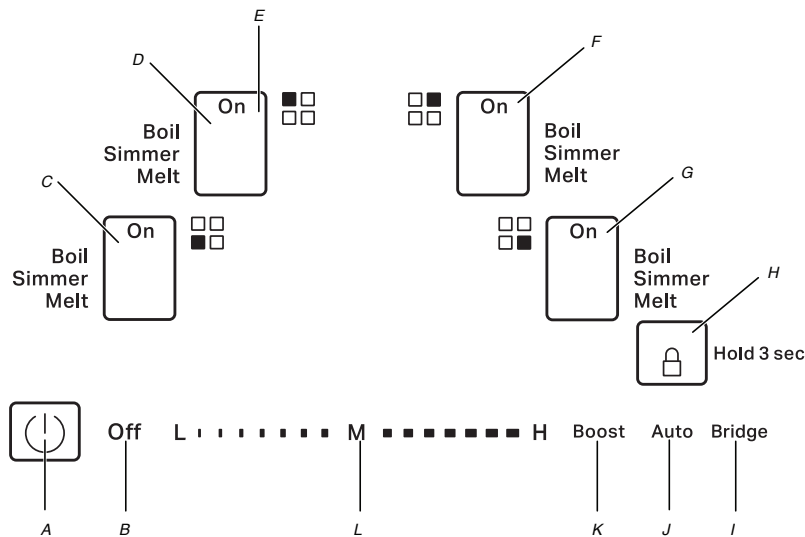
To Adjust Oven Temperature:

1. Press Clock/Tools until "TEMP CALIB" is displayed.
2. On some models, press "1" to adjust the drawer temperature calibration. Press Start, wait 10 seconds for the display to change, and then continue with Step 3.

OR

- Press Start to adjust the oven temperature calibration. Wait 10 seconds for the display to change, and then continue with Step 3.
3. Press the "3" keypad to increase the temperature in 5°F (3°C) increments or press the "6" keypad to decrease the temperature in 5°F (3°C) increments. The offset range is from -30°F to +30°F (-18°C to +18°C).
 4. Press Start or Cancel to exit and display the time of day.

Cooktop Use



- | | | |
|--|---|----------------------|
| A. Cooktop power | F. Right rear surface cooking area display | K. Boost |
| B. Surface cooking area off | G. Right front surface cooking area display | L. Heat level slider |
| C. Left front surface cooking area display | H. Control lock | |
| D. Left rear surface cooking area display | I. Bridge | |
| E. Heat level display | J. Auto | |

Induction Cooking

Induction cooking is quite different from traditional forms of cooking. The heat is generated directly in the pan, keeping the cooking surface cooler than with a traditional element.

Induction cooking does not lose as much heat as traditional forms because all the heat is created in the pan itself.

The cooktop heats up or cools down quickly after the controls are set. It also stops heating when the pan is removed without turning off the power.

Food spilled on the cooktop surface will not burn because the glass is not heated. Induction cooking allows for immediate cleaning after use because the heat is created in the pan.

Pan size, material (see the "Cookware" section), and positioning are very important to achieve maximum power.

The diameter of the pan's base should be equal to the size of the element.

If the pan is too small, the burner does not sense the pan and will not activate.

Cooktop Controls

⚠ WARNING



Fire Hazard


Turn off all controls when done cooking.
Failure to do so could result in death or fire.

The touch-activated electronic controls offer a variety of heat settings for optimal cooking results.

NOTE: Where 240 V installation is not available, this cooktop will automatically adjust to 208 V operation.

To Use

To Turn On the Cooktop:

1. Touch cooktop power keypad .


The indicator light above the cooktop power keypad and a dot (".") in each surface cooking area will blink to indicate the cooktop is on.

Inactivity for 20 seconds after the cooktop power has been turned on will automatically turn off the power to the cooktop.

To Turn On a Surface Cooking Area:

NOTE: Cookware has to be detected on the cooking area before the cooking area will turn on. The display for that cooking area will show zero once a pan is detected. If a cookware is on a cooking area and the cooking area is not turned on, the user may hear a clicking sound as the burner continues to detect a cookware.

2. Touch directly on the display area for the surface cooking area you want to use. See C, D, F, and G of previous illustration.
3. Select a heat setting from "L" through "H" on the heat level slider by touching/sliding on the power slider. The heat setting will appear in the surface cooking area display.

NOTE: If cookware is removed from cooking area during cooking, the cooking area will turn off and  indicator will be shown on the respective display area. If cookware is not put back on the cooking area within 30 seconds, the cooking area will automatically turn off.

The power slider consists of 9 positions plus a "Boost" position. When the user slides to "L", "0" will be displayed. The surface cooking area will not turn on but remains active/selected.

Use the following chart as a guide when setting heat levels.

Setting	Recommended Use
9 to Boost	■ Bring liquid to a boil.
9	■ Start cooking food.
7 to 8	■ Quickly brown or sear food.
6 to 7	■ Hold a rapid boil.
5 to 6	■ Fry poultry or meat. ■ Cook soups, sauces, and gravies.
4 to 5	■ Maintain a slow boil. ■ Stew or steam food.
3 to 5	■ Simmer.
1 to 2	■ Keep cooked food warm. ■ Melt chocolate or butter.
Simmer	■ Maintain a slow boil.

Auto Mode

To Use:

To Turn On:

1. Check that a surface cooking area has been selected.
2. Touch Auto to toggle and select between Melt, Simmer, and Boil functions. “-” next to the selected function will light up.
When melting foods, such as chocolate or butter, the surface cooking area can be set to the Melt function for minimum power level. Similarly simmer and boil functions can also be used as required.

To Turn Off:

Touch the surface cooking area Off keypad.

Boost Mode

For maximum power level operation, all cooktop touch-activated electronic controls can be set to the Performance Boost function when bringing liquids to a fast and rapid boil. Select the desired surface cooking area, and then touch “Boost” on the heat level slider to immediately reach the highest setting.

NOTE: This mode can be used on one left hand side cooking area and one right hand side cooking area simultaneously or can be used on any one cooking area. Cooking area/areas can operate in this mode maximum for 10 minutes.

Hot Surface Indicator

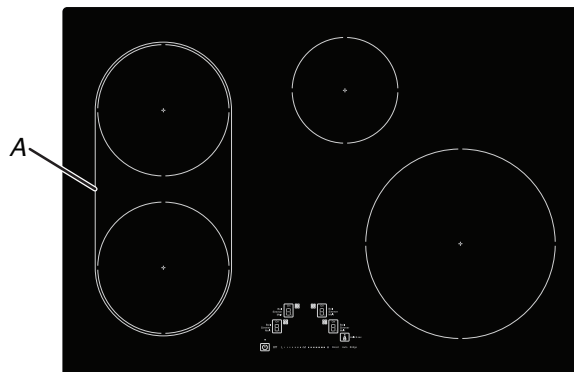
An “H” will appear in the heat setting display of a surface cooking area that is too hot to touch, after that surface cooking area is turned off.

Bridge

The Bridge function allows you to use 2 cooking zones as an extra-large cooking zone. Use the bridge area to create an oblong heated area to cook with large or oblong cookware.

To Turn On the Bridge:

1. Place large or oblong cookware on the bridge area.



A. Bridge area

2. Touch POWER. The cooktop will turn on.
3. Touch Bridge.
The heat setting levels for the 2 left surface cooking areas will default to “0” and can be set from a minimum of “1” to a maximum of “9.”
4. Slide a finger on the heat level slider to change the power level up or down.
The selected heat level will show in the heat level display for each surface cooking area using the bridge.

To Turn Off the Bridge:

1. Touch Bridge.
The surface cooking areas will resume operation as 2 separate areas.

NOTE: Performance Boost cannot be used on the same elements in combination with the Bridge function.

Control Lock Hold 3 sec

Touch and hold the control lock keypad for 3 seconds to lock the cooktop controls.

Touch and hold the control lock keypad again for 3 seconds to unlock the cooktop controls.

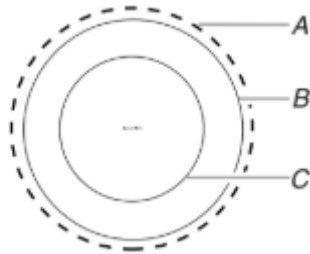
Ceramic Glass

Clean the cooktop after each use to help avoid scratches, pitting, abrasions, and to condition the glass surface. Ceramic glass cooktop cleaner and a cooktop scraper are also recommended for stubborn soils. Do not use abrasive cleaners, cleaning pads, or harsh chemicals for cleaning. The Cooktop Care Kit Part Number 31605 contains all of the items needed to clean and condition your ceramic glass cooktop. Refer to the “Range Maintenance and Care” section in the Owner’s Manual for additional information.

IMPORTANT: To avoid permanent damage to the cooktop surface and to make soils easier to remove, clean the cooktop after each use to remove all soils.

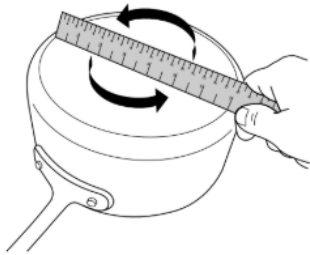
- Avoid storing jars or cans above the cooktop. Dropping a heavy or hard object onto the cooktop could crack the cooktop.
- To avoid damage to the cooktop, do not leave a hot lid on the cooktop. As the cooktop cools, air can become trapped between the lid and the cooktop and the ceramic glass could break when the lid is removed.

- For foods containing sugar in any form, clean up all spills and soils as soon as possible. Allow the cooktop to cool down slightly. Then, while wearing oven mitts, remove the spills while the surface is still warm. If sugary spills are allowed to cool down, they can adhere to the cooktop and can cause pitting and permanent marks.
- To avoid scratches, do not slide cookware or bakeware across the cooktop.
- To avoid damage to the cooktop, do not allow objects that could melt, such as plastic or aluminum foil, to touch any part of the entire cooktop.
- To avoid damage to the cooktop, do not use the cooktop as a cutting board.
- Use cookware about the same size as the surface cooking area. Cookware should not extend more than 1/2" (1.3 cm) outside the area. Minimum pan size is also noted on the cooktop with the inner ring, if applicable.



A. 1/2" (1.3 cm) maximum overhang
 B. Outer edge of cooktop
 C. Minimum pan size, if applicable

- Use flat-bottomed cookware for best heat conduction and energy efficiency. Cookware with rounded, warped, ribbed, or dented bottoms could cause uneven heating and poor cooking results.
- Determine flatness by placing the straight edge of a ruler across the bottom of the cookware. While you rotate the ruler, no space or light should be visible between it and the cookware.



- To determine which pan to use on which induction element, measure the bottom of the flat area of your pan. Do not include the sides if they curve up. Use this measurement to help determine which induction element would best fit your pan. Manufacturer measurements listed on pans are usually for the top opening dimension. The flat bottom may be smaller.
- Make sure the bottoms of pots and pans are clean and dry before using them. Residue and water can leave deposits when heated.

Home Canning

Canning can be performed on the induction cooktop. See the "Cookware" section to check if the canner will work on the induction cooktop. When canning for long periods, alternate the use of surface cooking areas or elements between batches. This allows time for the most recently used areas to cool.

- Center the canner on the largest surface cooking area or element. On electric cooktops, canners should not extend more than 1/2" (1.3 cm) beyond the surface cooking area or element.
- Do not place canner on 2 surface cooking areas or elements at the same time.
- On ceramic glass models, use only flat-bottomed canners to avoid damage to the cooktop and elements.
- For more information, contact your local agricultural extension office or refer to published home canning guides. Companies that manufacture home canning products can also offer assistance.

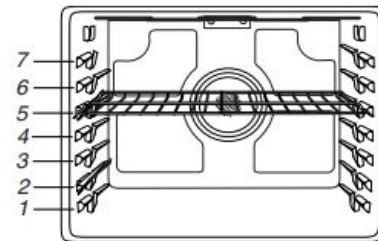
OVEN USE

Odors and smoke are normal when the oven is used the first few times or when it is heavily soiled.

IMPORTANT: The health of some birds is extremely sensitive to the fumes given off. Exposure to the fumes may result in death to certain birds. Always move birds to another closed and well ventilated room.

POSITIONING RACKS AND BAKEWARE

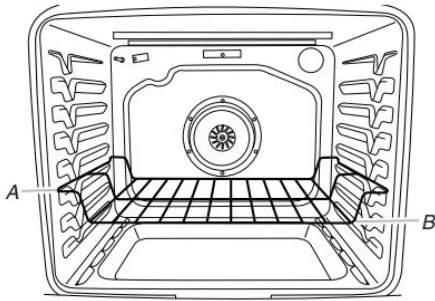
To position a rack, pull it out to the stop position, raise the front edge, and then lift out. Use the following illustration and charts as a guide.



The oven has 7 positions for a flat rack, as shown in the previous illustration and the following table.

Flat Rack Position	Type of Food
7	Broiling/searing meats, hamburgers, steaks
6	Broiled meats, poultry, fish
4	Air Fry Basket
3	Most baked goods, casseroles
2	Roasted meats
1	Large roasts or poultry

IMPORTANT: If your model has a Max Capacity Rack, the recessed ends must be placed in the rack position above the desired position of the food. See the following illustration.



A. Ends of rack in position 3
B. Food in position 2

IMPORTANT: These rack positions are for flat racks. If a Max Capacity Oven Rack is used, the rack position must be adjusted as shown in the previous figure.

Multiple Rack Cooking

2-rack (non-convection): Use rack positions 2 and 5 or 3 and 6.

2-rack (convection): Use rack positions 2 and 5 or 3 and 6.

3-rack (convection): Use rack positions 2 and 7 and a Max Capacity Oven Rack in rack position 5.

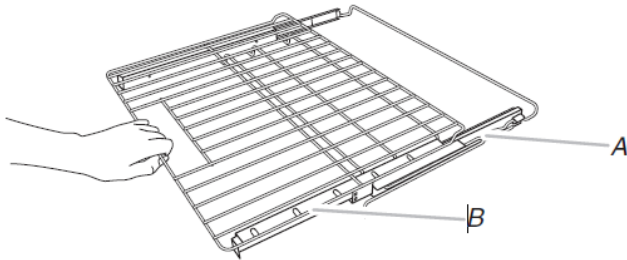
Bakeware

To cook food evenly, hot air must be able to circulate. Allow 2" (5 cm) of space around bakeware and oven walls. Make sure that no bakeware piece is directly over another.

Roll-Out Rack

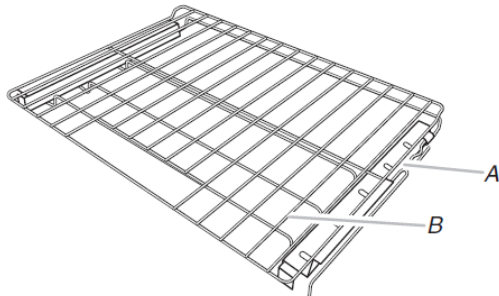
The roll-out rack allows easy access to position and remove food in the oven. It is not recommended to use the roll-out rack in the top rack, position 7, or the bottom rack, position 1.

Open Position



A. Rack frame
B. Sliding rack

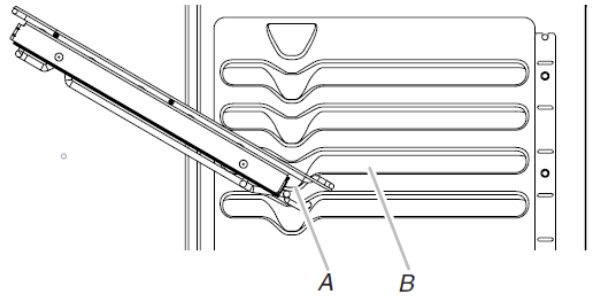
Closed and Engaged Position



A. Rack frame
B. Sliding rack

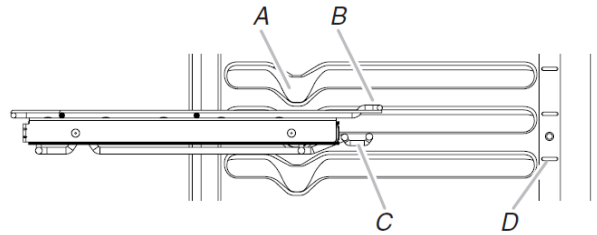
To Insert Roll-Out Rack

1. Angle the front of the rack assembly up, and then insert the rack frame into the "V" cutout in the rack guides of the oven cavity.



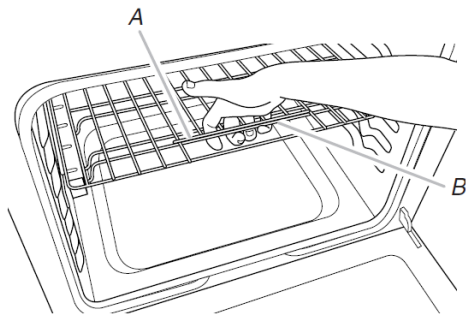
A. "V" cutout
B. Rack guides

2. Keep rack assembly lifted up at an angle, and then push in to bypass the lower "V" cutout.
3. Lower the front of the rack assembly, and then gently slide rack assembly into oven, bypassing the "V" cutouts. Push the rack assembly into the oven until it stops at the ladder in the back of the oven.

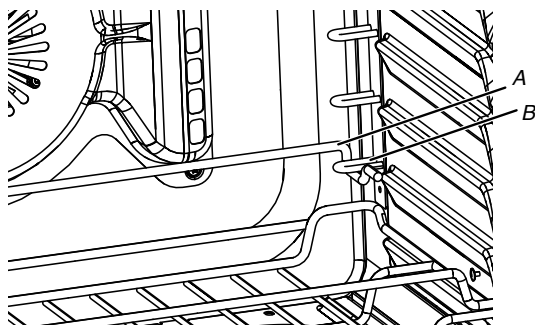


A. "V" cutout
B. Rack guides
C. Ladder hook
D. Ladder

- Reach through the rack to hold the sliding rack and the front crossbar. Lift the front of the rack assembly, and then push the rack assembly to the back of the oven. Lower the front of the rack assembly so the ladder hook engages with the ladder on both sides of the oven.



A. Sliding rack
B. Front crossbar



A. Rack
B. Ladder

To Remove Roll-Out Rack

- Push the sliding rack in completely so that it is in the closed and engaged position.
- Reach through the rack to hold the sliding rack and the front crossbar. Lift the front of the rack assembly to disengage the ladder hook from the ladders at the rear of the oven, and then pull the rack assembly forward.
- Using 2 hands, gently pull the sliding rack and the rack frame at the same time to the "V" cutout. Angle the rack so that the front is higher than the back, and then gently pull rack past "V" cutout and then out of the oven.

To avoid damage to the sliding rack, do not place more than 25 lbs (11.4 kg) on the rack.

Do not clean the roll-out rack in a dishwasher. It may remove the rack's lubricant and affect its ability to slide.

See the "General Cleaning" section in the Owner's Manual for more information.

Sabbath Mode

The Sabbath mode sets the oven to remain on in a bake setting until turned off.

When the Sabbath mode is set, only the Bake cycle will operate. All other cooking and cleaning cycles are disabled. No tones will sound and the displays will not indicate temperature changes.

When the oven door is opened or closed, the oven light will not turn on or off and the heating elements will not turn on or off immediately.

To Enable Sabbath Mode Capability (One Time Only):

- Press Clock/Tools until "SABBATH" is displayed. "OFF. Press (1) for On" will scroll in the display.
- Press the "1" keypad. "ON. Press (1) for Off" will scroll in the display. Sabbath mode can be activated for baking.
- Press Start or Cancel to exit and display the time of day.
NOTE: To disable the Sabbath mode, repeat steps 1 through 3 to change the status from "SABBATH ON" to "SABBATH OFF."

To Activate Sabbath Mode:

- Press Bake for the desired oven.
- Press the number keypad to set a temperature other than 350°F (177°C).
- Press Start.
For timed cooking in Sabbath mode, press Cook Time and then the number keypads to set the desired cook time.
- Press Clock/Tools. Three tones will sound. Then press "7." "SAB" will appear in the display.

To Adjust Temperature (When Sabbath Mode Is Running):

- Press the number keypad as instructed by the scrolling text to select the new temperature.
NOTE: The temperature adjustment will not appear on the display. The scrolling text will be shown on the display as it was before the keypad was pressed.
- Press Start.

To Deactivate Sabbath Mode:

Press Clock/Tools, and then press "7" to return to regular baking, or press Cancel for the desired oven to turn off the range.

NOTE: No tones will sound while deactivating Sabbath mode.

Baking and Roasting

Preheating

When beginning a Bake, Convect Bake, or Convect Roast cycle, the oven will begin preheating after Start is pressed. The oven will take approximately 12 to 15 minutes to reach 350°F (177°C) with all of the oven racks provided with your oven inside the oven cavity. Higher temperatures will take longer to preheat. The preheat cycle rapidly increases the oven temperature. The actual oven temperature will go above your set temperature to offset the heat lost when your oven door is opened to insert food. This ensures that when you place your food in the oven, the oven will begin at the proper temperature. Insert your food when the preheat tone sounds. Do not open the door during preheat before the tone sounds.

Oven Temperature

While in use, the oven elements will cycle on and off as needed to maintain a consistent temperature, but they may run slightly hot or cool at any point in time due to this cycling. Opening the oven door while in use will release the hot air and cool the oven which could impact the cooking time and performance. It is recommended to use the oven light to monitor cooking progress.

NOTE: On models with convection, the convection fan may run in the non-convection bake mode to improve oven performance.

Temperature Management System

The Temperature Management System electronically regulates the oven heat levels during preheat and bake to maintain a precise temperature range for optimal cooking results. The bake and broil elements or burners cycle on and off in intervals. On convection range models, the fan will run while preheating and may be cycled on and off for short intervals during bake to provide the best results. This feature is automatically activated when the oven is in use.

Before baking and roasting, position racks according to the "Positioning Racks and Bakeware" section. When roasting, it is not necessary to wait for the oven preheat cycle to end before putting food in unless it is recommended in the recipe.

Steam Bake

The Steam Bake function works in conjunction with the steam rack to provide additional moisture during baking. The steam rack contains a water reservoir which heats up and releases steam into the oven cavity during the Steam Bake cycle. There are 3 preprogrammed food options to choose from: Breads, Desserts, and Fish as well as a Refresh/Reheat option.

For best performance, place the steam rack in the lowest available rack position in the cavity and pour 1½ cups (350 mL) of water into the reservoir. Do not fill past the MAX level indicated on the reservoir.

After the Steam Bake cycle is complete, some water may remain in the reservoir. This is normal. Wait for the oven to cool and discard the water.



A. Steam rack
B. Water reservoir

Broiling

When broiling, preheat the oven for 2 minutes before putting food in, unless recommended otherwise in the recipe. Position food on grid in a broiler pan, and then place it in the center of the oven rack.

IMPORTANT: Close the door to ensure proper broiling temperature.

Changing the temperature when broiling allows more precise control when cooking. The lower the broil setting is, the slower the cooking. Thicker cuts and unevenly shaped pieces of meat, fish, and poultry may cook better at lower broil settings. Use rack 6 or 7 for broiling. Refer to the "Positioning Racks and Bakeware" section for more information.

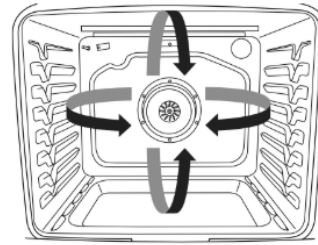
On lower settings, the broil element will cycle on and off to maintain the proper temperature.

■ For best results, use a broiler pan and grid. It is designed to drain juices and help avoid spatter and smoke.

If you would like to purchase a broiler pan, one may be ordered. Please refer to the Quick Start Guide for contact information.

Convection Cooking

In a convection oven, the fan-circulated hot air continually distributes heat more evenly than the natural movement of air in a standard thermal oven. This movement of hot air helps maintain a consistent temperature throughout the oven, cooking foods more evenly, crisping surfaces while sealing in moisture and yielding crustier breads.



During convection baking or roasting, the bake, broil, and convection elements cycle on and off in intervals while the fan circulates the hot air. During convection broiling, the broil and convection elements cycle on and off.

If the oven door is opened during convection cooking, the fan will turn off immediately. It will come back on when the oven door is closed.

With convection cooking, most foods can be cooked at a lower temperature and/or a shorter cooking time than in a standard thermal oven. Depending upon the selected cooking mode, EasyConvect™ conversion can automatically reduce the standard recipe temperature and/or time you input for convection cooking. If you choose not to use the EasyConvect™ conversion, use the following table as a guide.

Convection Mode	Time/Temperature Guidelines
Convection Bake	25°F (15°C) lower temperature, possible shortened cooking time
Convection Roast	Cooking time shortened by up to 30%
Convection Broil	Shortened cooking time

Convect Options

Convect Bake - multiple-rack baking or cookies, biscuits, breads, casseroles, tarts, tortes, cakes

Convect Roast - whole chicken or turkey, vegetables, pork roasts, beef roasts

Convect Broil - thicker cuts or unevenly shaped pieces of meat, fish, or poultry

Air Fry Basket

Part of what makes air fryers so efficient at crisping up your food has to do with the perforated basket that is designed for air frying. The air fry basket allows the hot air to circulate thoroughly on the entire surface of the food.

When using the Air Fry feature, position the air fry basket on top of a large baking sheet to collect crumbs, oil and mitigate smoke. Place the basket and sheet in the rack position 4 of the oven to increase air flow and circulation. Refer to Positioning Racks and Bakeware for more details. Avoid using more than one basket to avoid uneven cooking.

Air Fry

While air frying, the heating elements and convect fan cycle on and off in intervals to maintain the oven temperature while the fan circulates the hot air. Close the oven door to ensure proper temperature.

IMPORTANT: Cooking times, temperatures, and general instructions may vary depending on recipe.

Air frying in a large oven cavity allows for more food to be air fried at one time, longer baking times are to be expected.

- When air frying, food should be evenly spaced in an air fry basket in a single layer.
- Refer to instructions on packaged food for conventional oven baking regarding air fry time and temperature.
- For fresh food recipes with bake times over 30 minutes, a 5-10 minutes preheat is recommended.
- For frozen, bone-in, or dense foods with cook times less than 15 minutes, additional time may be required.
- It is not recommended to use wet batter when air frying.
- For best performance, shake or flip food half-way through bake time. Be sure to close the oven door after removing and inserting the food back to the cavity.
- Spray air fry basket with oil to avoid food sticking to basket.

NOTE: Greasy foods may cause smoke during the air fry cycle. Properly using the air fry basket and baking sheet will help to reduce the amount of smoke produced. Maintaining a clean oven and baking sheet will also help reduce the amount of smoke.

Proofing Bread

Proofing bread prepares the dough for baking by activating the yeast. Follow the recipe directions as a guide. Proof should be used for fresh dough, thawed dough, and for the first and second rise.

To Proof:

Before first proofing, place the dough in a lightly greased bowl and cover loosely with wax paper, coated with shortening. Place on rack guide 2 and close the oven door.

NOTE: If the temperature of the oven is greater than 120°F (49°C), "Oven Cooling" will be displayed until the temperature is less than 120°F (49°C).

1. Press Proof.
2. Press Start.

Let the dough rise until nearly doubled in size. Proofing time may vary depending on dough type and quantity.

3. Press Cancel when finished proofing.

Before second proofing, shape the dough, place it in baking pan (s), and cover loosely. Follow the same placement and control steps above. Before baking, remove the cover.

NOTE: If the oven temperature is greater than 120°F (49°C), the display will indicate "Oven Cooling" until the temperature is below 120°F (49°C).

Cook Time

⚠ WARNING

Food Poisoning Hazard

Do not let food sit for more than one hour before or after cooking.

Doing so can result in food poisoning or sickness.

To Set a Timed Cook:

1. Press Bake or Broil or press an Easy Convection function.
2. Press the number keypads to enter a temperature other than the one displayed.
3. Press Cook Time. The cook time oven indicator light will light up.
4. Press the number keypads to enter the length of time to cook.
5. Press Start. The display will count down the time. When the time ends, the oven will shut off automatically.
6. Press Cancel for the desired oven to clear the display.

To Set a Delayed Timed Cook:

1. Press Bake or Broil or press an Easy Convection function.
2. Press the number keypads to enter a temperature other than the one displayed.
3. Press Cook Time. The Cook Time oven indicator light will light up.
4. Press number keypads to enter the length of time to cook.
5. Press Delay Start.
6. Press number keypads to enter the number of hours and/or minutes you want to delay the start time.
7. Press Start.

When the start time is reached, the oven will automatically turn on. The temperature and/or time settings can be changed anytime after the oven turns on by repeating steps 2 through 4. When the set cook time ends, the oven will shut off automatically.

8. Press Cancel for the desired oven to clear the display.

Manuel De L'Utilisateur

SÉCURITÉ DE LA CUISINIÈRE

Votre sécurité et celle des autres sont très importantes.

Nous donnons de nombreux messages de sécurité importants dans ce manuel et sur votre appareil. Assurez-vous de toujours lire tous les messages de sécurité et de vous y conformer.



Voici le symbole d'alerte de sécurité.

Ce symbole d'alerte de sécurité vous signale les dangers potentiels de décès et de blessures graves.

Tous les messages de sécurité suivront le symbole d'alerte de sécurité et le mot « DANGER » ou « AVERTISSEMENT ». Ces mots signifient :

⚠ DANGER

Risque possible de décès ou de blessure grave si vous ne suivez pas immédiatement les instructions.

⚠ AVERTISSEMENT

Risque possible de décès ou de blessure grave si vous ne suivez pas les instructions.

Tous les messages de sécurité vous diront quel est le danger potentiel, comment réduire le risque de blessure et ce qui peut se produire en cas de non-respect des instructions.

La cuisinière ne basculera pas pendant une utilisation normale. Cependant, la cuisinière peut basculer, si vous appliquez trop de force ou de poids à la porte de la cuisinière, sans avoir adéquatement fixé la bride antibasculement.

⚠ AVERTISSEMENT

Risque de basculement

Une personne, enfant ou adulte, peut faire basculer la cuisinière et subir des blessures mortelles.

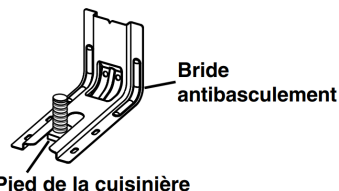
Fixer la bride antibasculement au plancher ou au mur, conformément aux instructions d'installation.

Faire glisser de nouveau la cuisinière de façon à ce que le pied arrière de la cuisinière se trouve dans la fente de la bride antibasculement.

Réengager la bride antibasculement si la cuisinière a été déplacée.

Ne pas faire fonctionner la cuisinière si la bride antibasculement n'est pas installée et engagée.

Le non-respect de ces instructions peut causer un décès ou des brûlures graves aux enfants et aux adultes.



Pour vérifier que la bride antibasculement est bien installée et engagée :

- Faire glisser la cuisinière vers l'avant.
- Vérifier que la bride antibasculement est bien fixée au plancher ou au mur.
- Faire glisser de nouveau la cuisinière de façon à ce que le pied arrière de la cuisinière se trouve sous la bride antibasculement.
- Voir les directives d'installation pour obtenir de plus amples renseignements.

INSTRUCTIONS IMPORTANTES DE SÉCURITÉ

AVERTISSEMENT : Afin de réduire le risque d'incendie, de décharge électrique ou de blessures corporelles lors de l'utilisation de cet appareil, observer certaines précautions fondamentales, notamment :

- **AVERTISSEMENT :** POUR RÉDUIRE LES RISQUES DE BASCULEMENT DE LA CUISINIÈRE, LA CUISINIÈRE DOIT ÊTRE FIXÉE EN INSTALLANT CORRECTEMENT LE DISPOSITIF ANTIBASCULEMENT. POUR VÉRIFIER SI LES APPAREILS SONT BIEN INSTALLÉS, FAIRE GLISSER DE NOUVEAU LA CUISINIÈRE VERS L'AVANT, S'ASSURER QUE LE DISPOSITIF ANTIBASCULEMENT EST BIEN FIXÉ AU MUR OU AU PLANCHER, PUIS FAIRE GLISSER LA CUISINIÈRE VERS L'ARRIÈRE DE FAÇON À CE QUE LE PIED ARRIÈRE DE LA CUISINIÈRE SE TROUVE SOUS LA BRIDE ANTIBASCULEMENT.
- **AVERTISSEMENT :** Risque d'incendie : Ne pas ranger d'objets sur les surfaces de cuisson. Ne jamais rien laisser sur la surface lorsqu'elle est laissée sans surveillance et qu'elle n'est pas utilisée. Ne jamais placer d'objets inflammables ou en plastique sur ou à proximité de la surface.
- **ATTENTION :** Ne pas entreposer de produits d'intérêt pour les enfants dans les armoires au-dessus d'un appareil ou dans le dossier de l'appareil – Les enfants grimper sur l'appareil pour attraper ces objets pourraient gravement se blesser.
- Bonne installation – L'appareil, lorsqu'il est installé, doit être relié à la terre conformément aux codes locaux, ou en l'absence de codes locaux, au *National Electrical Code*, *ANSI/NFPA 70* ou le *Code canadien de l'électricité CSA C22.1-02*. Au Canada, la cuisinière doit être reliée à la terre en respectant le Code canadien de l'électricité. S'assurer que l'appareil est bien installé et que la mise à la terre est réalisée par un technicien qualifié.
- Ne jamais utiliser l'appareil pour chauffer ou réchauffer la pièce.
- Ne pas laisser les enfants seuls – Les enfants ne doivent pas être laissés seuls ou sans surveillance dans la zone où l'appareil est utilisé. Ils ne doivent jamais être autorisés à s'asseoir ou à se tenir debout sur une partie quelconque de l'appareil.
- Porter des vêtements adaptés – Les vêtements pendants ou non ajustés ne doivent jamais être portés lorsqu'on utilise l'appareil.
- Entretien par l'utilisateur – Ne pas réparer ou remplacer une quelconque pièce de l'appareil sans recommandation spécifique du manuel. Toutes les autres tâches d'entretien doivent être effectuées par un technicien qualifié.
- Cet appareil n'est pas conçu pour servir d'espace de rangement.
- Ne pas utiliser d'eau sur les feux de friture – Éteindre le feu ou la flamme ou utiliser un extincteur avec agent chimique sec ou mousseux.
- Ne pas utiliser de pièces de remplacement qui n'ont pas été recommandées par le fabricant (c.-à-d., pièces fabriquées à la maison à l'aide d'une imprimante 3D).
- Utiliser uniquement des maniques sèches – Les maniques humides ou trempées sur les surfaces chaudes peuvent provoquer des brûlures dues à la vapeur. Ne pas laisser les maniques toucher des éléments chauffants et chauds. Ne pas utiliser un chiffon ou tout autre tissu encombrant.
- NE PAS TOUCHER LES UNITÉS DE SURFACE OU LES ZONES PRÈS DES UNITÉS DE SURFACE – Les unités de surface peuvent être chaudes même si elles sont de couleur foncée. Les zones près des unités de surface peuvent être suffisamment chaudes pour provoquer des brûlures. Pendant et après l'utilisation, ne pas toucher ou laisser des vêtements ou d'autres matériaux inflammables en contact avec les unités de surface ou les zones près des unités de surface tant qu'elles n'ont pas suffisamment refroidi. Parmi ces zones, on compte les éléments, la table de cuisson et les zones face à la table de cuisson.
- Utiliser des ustensiles de taille appropriée – Cet appareil est équipé d'une ou plusieurs unités de surface de différentes tailles. Choisir des ustensiles ayant des fonds plats suffisamment grands pour couvrir l'élément chauffant de surface. L'utilisation d'ustensiles sous-dimensionnés exposera une partie de l'élément chauffant à un contact direct et peut entraîner l'inflammation des vêtements. Un bon contact entre l'ustensile et le brûleur améliorera l'efficacité de la table.
- Ne jamais laisser les surfaces de cuisson sans surveillance à des réglages de chaleur élevée – Les huiles de cuisson et les graisses animales sont inflammables, l'ébullition peut provoquer des fumées et les débordements graisseux peuvent s'enflammer.
- S'assurer que les réflecteurs ou cuvettes ramasse-gouttes sont en place – L'absence de ces éléments pendant la cuisson peut endommager les conducteurs et composants se trouvant en dessous.
- Revêtements de protection – Ne pas utiliser de papier aluminium pour recouvrir la surface des cuvettes ramasse-gouttes ou le fond du four, sauf si le manuel le suggère. Une mauvaise installation de ces protecteurs peut entraîner un risque de décharge électrique ou d'incendie.
- Ustensiles de cuisson émaillés – seuls certains types d'ustensiles en verre, vitrocéramique, céramique, terre cuite ou autre émaillage peuvent être utilisés sur la surface de la cuisinière sans briser en raison du changement de température soudain.
- Les poignées des ustensiles doivent être tournées vers l'intérieur et ne doivent pas dépasser au-dessus des unités de surface de cuisson – Pour éviter le risque de brûlures, d'inflammation des matières inflammables et d'éclaboussures dues à un contact non intentionnel avec l'ustensile, la poignée d'un ustensile doit toujours être positionnée vers l'intérieur et ne doit pas dépasser au-dessus des surfaces de cuisson adjacentes.
- Ne pas tremper les éléments chauffants – Les éléments chauffants ne devraient jamais être immergés.
- Ne pas cuire sur une table de cuisson brisée – Si la table de cuisson est cassée, les agents de nettoyage et les éclaboussures peuvent pénétrer dans la table de cuisson brisée et créer un risque de décharge électrique. Contacter un électricien qualifié immédiatement dans ce cas.

CONSERVER CES INSTRUCTIONS

INSTRUCTIONS IMPORTANTES DE SÉCURITÉ

- Nettoyer la table de cuisson avec précaution – Si une éponge ou un linge humide est utilisé pour nettoyer les éclaboussures sur une zone de cuisson chaude, faire attention aux brûlures dues à la vapeur. Certains nettoyants peuvent produire des fumées toxiques si appliqués sur une surface chaude.
 - Ouvrir la porte lentement – Laisser la chaleur ou la vapeur s'échapper avant de retirer ou de remettre en place un plat.
 - Ne pas faire chauffer un contenant qui n'a pas été ouvert - L'accumulation de pression pourrait faire éclater le contenant et causer des blessures.
 - Garder dégagés les conduits de ventilation du four.
 - Position des grilles du four – toujours placer les grilles à la position souhaitée lorsque le four est froid. Si une grille doit être déplacée pendant que le four est chaud, ne pas laisser la poignée entrer en contact avec l'élément chaud du four.
 - **NE PAS TOUCHER LES ÉLÉMENTS CHAUFFANTS OU LES SURFACES INTÉRIEURES DU FOUR** – Les éléments chauffants peuvent être chauds même s'ils sont de couleur foncée. Les surfaces intérieures du four peuvent être suffisamment chaudes pour provoquer des brûlures. Pendant et après l'utilisation, ne pas toucher ou laisser des vêtements ou d'autres matériaux inflammables en contact avec les éléments chauffants ou les surfaces intérieures tant qu'ils n'ont pas suffisamment refroidi. Les autres surfaces de l'appareil peuvent devenir suffisamment chaudes pour causer des brûlures – les ouvertures de ventilation et les surfaces autour de ces ouvertures, les portes du four et les hublots de portes font partie de ces surfaces.
 - Il faut faire attention de ne pas laisser le papier aluminium et la sonde de cuisson entrer en contact avec les éléments chauffants.
 - **NE PAS PLACER D'OBJETS EN MÉTAL COMME UN COUTEAU, UNE FOURCHETTE, UNE CUILLÈRE OU UN COUVERCLE SUR LA SURFACE DE CUISSON, ILS POURRAIENT DEVENIR CHAUDS.**
- Pour les cuisinières autonettoyantes –**
- **AVERTISSEMENT : NE PAS LAISSER D'ALIMENTS, D'USTENSILES DE CUISSON, ETC. DANS LE FOUR PENDANT L'UTILISATION DU MODE DE NETTOYAGE PYROLYTIC.**
 - Ne pas nettoyer le joint de la porte – Le joint de la porte est essentiel pour une bonne étanchéité. Faire attention à ne pas frotter, endommager ou déplacer le joint.
 - Ne pas utiliser de nettoyants à four – Aucun nettoyant commercial ou revêtement de protection pour four d'aucune sorte ne devrait être utilisé dans le four ou près de ses parties.
 - Ne nettoyer que les pièces indiquées dans le manuel.
 - Avant de mettre en marche l'autonettoyage – Enlever la lèchefrite et les autres ustensiles.
- Pour les appareils avec hotte de ventilation –**
- Nettoyer régulièrement les hottes de ventilation – Ne pas laisser la graisse s'accumuler dans la hotte ou le filtre.
 - Lorsque des aliments sont flambés sous la hotte, mettre le ventilateur en marche.

CONSERVER CES INSTRUCTIONS

Cette table de cuisson à induction génère et utilise une énergie de fréquence ISM qui chauffe l'ustensile de cuisson à l'aide d'un champ électromagnétique. Elle a été testée et déclarée conforme à la section 18 du règlement FCC pour l'équipement ISM. Cette table de cuisson à induction satisfait aux exigences du règlement FCC pour la réduction des interférences avec d'autres dispositifs résidentiels.

Cette table de cuisson à induction peut causer des interférences pour la réception de la télévision et de la radio. En cas d'interférence, l'utilisateur doit essayer d'y remédier en prenant une ou plusieurs des mesures suivantes :

- Changer l'orientation de l'antenne de réception de la radio ou de la télévision.
- Éloigner la table de cuisson du récepteur.
- Brancher le récepteur dans une prise différente.

Il incombe à l'utilisateur de corriger toute interférence.

REMARQUE : Les personnes utilisant un stimulateur cardiaque ou un dispositif médical similaire doivent prendre leurs précautions lorsqu'elles se trouvent à proximité d'une table de cuisson à induction allumée. Le champ électromagnétique peut affecter le fonctionnement du stimulateur cardiaque ou de tout dispositif similaire. Consultez votre médecin ou le fabricant du stimulateur cardiaque ou du dispositif médical pour obtenir des informations supplémentaires à propos de ses effets en présence des champs magnétiques émis par la table de cuisson à induction.

IMPORTANT : La taille, le matériau et le positionnement du plat sont très importants pour obtenir des résultats idéaux avec une table de cuisson par induction. Voir « Cuisson par induction » dans les sections « Utilisation de la table de cuisson » et « Ustensiles de cuisson » avant d'utiliser la table de cuisson.

Cet appareil est conforme à la norme FCC, partie 18.

Cet appareil est conforme à la norme ICES-001(B)/NMB-001 (B) d'Industrie Canada.

ENTRETIEN ET RÉPARATION DE LA CUISINIÈRE

Programme de nettoyage

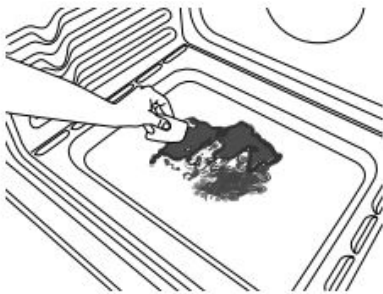


La technologie AquaLift® est une formule de nettoyage innovante qui utilise l'eau et la chaleur pour désincruster les traces de renversements du four en moins d'une heure. Cette nouvelle technologie de nettoyage à faible niveau de chaleur représente une alternative inodore aux options traditionnelles d'autonettoyage.

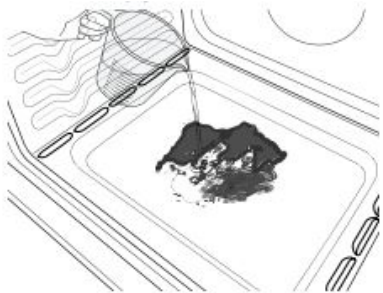
Laisser la cuisinière refroidir et atteindre la température ambiante avant d'utiliser le programme de nettoyage. Si la température de la cavité du four est supérieure à 200 °F (93 °C), elle apparaît sur l'affichage et le programme de nettoyage à la vapeur ne s'active pas avant que la cavité ait refroidi.

Nettoyage :

1. Retirer tous les accessoires et grilles de la cavité du four. Essuyer les saletés. Utiliser un grattoir en plastique pour enlever les saletés faciles à enlever.



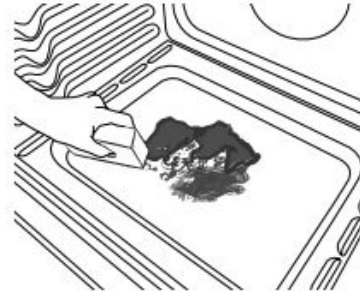
2. Verser 2 tasses (16 oz [500 mL]) d'eau distillée ou filtrée dans le fond du four vide et fermer la porte du four.



IMPORTANT : Ne pas utiliser de produits chimiques ou d'autres additifs avec l'eau. Ne pas ouvrir la porte du four durant le programme de nettoyage. L'eau au fond du four est chaude.

3. Appuyer sur CLEAN ou AQUALIFT SELF-CLEAN (nettoyage ou autonettoyage AquaLift) puis sur Start (mise en marche) au tableau de commande du four.
4. Prévoir 40 minutes pour le nettoyage et le refroidissement du four. Un bip retentit lorsque le programme de nettoyage est terminé.

5. Appuyer sur CANCEL (annulation) à la fin du programme. On peut appuyer sur CANCEL (annulation) à tout moment pour arrêter le programme de nettoyage.
6. Retirer l'excédent d'eau et les saletés désincrustées avec une éponge ou un linge une fois le programme de nettoyage terminé. La plus grande partie de l'eau initiale contenue dans 2 tasses (16 oz [500 mL]) d'eau restera dans le four après la fin du programme de nettoyage. S'il reste encore des saletés, laisser une petite quantité d'eau dans le fond du four pour faciliter le nettoyage.



7. Utiliser une éponge douce ou un grattoir en plastique pour éliminer les saletés qui restent. On peut faire fonctionner d'autres programmes de nettoyage pour favoriser l'élimination des saletés tenaces.

IMPORTANT : Ne pas utiliser de nettoyants à four. L'utilisation de produits chimiques, y compris de nettoyants commerciaux pour four ou de tampons à récurer métalliques, peut endommager définitivement la surface en émail de l'intérieur du four.

REMARQUES :

- La cuisinière doit être d'aplomb afin que toute la surface du fond de la cavité du four soit recouverte par l'eau au début du programme de nettoyage.
- Pour de meilleurs résultats, utiliser de l'eau distillée ou filtrée. Une eau du robinet pourrait laisser des dépôts minéraux sur le fond du four.
- Avant d'éliminer l'excédent d'eau et les saletés désincrustées à la fin du programme de nettoyage, insérer un chiffon ou un essuie-tout entre le bord inférieur de la porte du four et le châssis avant pour empêcher l'eau de couler sur l'avant de la cuisinière et sur le plancher.
- De la saleté qui aura adhéré pendant plusieurs programmes de cuisson sera plus difficile à éliminer avec le programme de nettoyage.
- Une éponge douce ou un tampon à récurer de type doux (sans nettoyeur) peut être efficace pour le nettoyage des parois de la cavité du four de la porte et du fond du four lorsque les saletés sont difficiles à nettoyer. Pour des résultats optimaux, humidifier le tampon ou l'éponge avant utilisation.
- Faire fonctionner un programme de nettoyage supplémentaire pour les saletés tenaces.
- Un nettoyeur pour appareils ménagers de cuisine affresh® et un nettoyeur pour table de cuisson affresh® peuvent être utilisés pour nettoyer le fond du four, ses parois et sa porte lorsque le four a terminé le programme de nettoyage et que sa température est redevenue ambiante. Si l'on utilise le nettoyeur pour table de cuisson affresh®, il est recommandé d'essuyer aussi la cavité avec de l'eau distillée. Consulter le Guide de démarrage rapide pour les informations de commande.

- On peut obtenir des ensembles de nettoyage à technologie AquaLift® supplémentaires en commandant la pièce numéro W10423113RP. Consulter le Guide de démarrage rapide pour les informations de commande.
- Pour obtenir de l'aide avec la technologie AquaLift®, composer le **1-877-258-0808** aux États-Unis, le **1-800-807-6777** au Canada ou visiter notre site Web au <http://whirlpoolcorp.com/aqualift>.

Nettoyage général

IMPORTANT : Avant le nettoyage, s'assurer que toutes les commandes sont éteintes et que le four et la table de cuisson sont froids. Toujours suivre les instructions figurant sur les étiquettes des produits de nettoyage.

L'usage de savon, d'eau et d'un chiffon doux ou d'une éponge est suggéré en priorité, sauf indication contraire.

SURFACES EN ÉMAIL VITRIFIÉ UNIQUEMENT (sur certains modèles)

Les éclaboussures alimentaires acides, telles que vinaigre et tomate, doivent être nettoyées dès que la cuisinière a refroidi. Ces salissures peuvent endommager le fini.

Méthode de nettoyage :

- Nettoyant à vitre, nettoyant doux liquide ou tampon à récurer non abrasif : Nettoyer délicatement autour de la plaque signalétique, car le frottement pourrait en effacer les chiffres.
- Affresh® pour cuisine et appareils ménagers – numéro de pièce W10355010 (vendu séparément) :
Consulter le Guide de démarrage rapide pour obtenir les coordonnées.

ACIER INOXYDABLE (sur certains modèles)

REMARQUE : Afin d'éviter d'endommager les surfaces en acier inoxydable, ne pas utiliser de tampons à récurer savonneux, de nettoyants abrasifs, de crème à polir pour table de cuisson, de tampons en laine d'acier, de chiffons de lavage rêches ou d'essuie-tout abrasifs. Ils peuvent endommager les surfaces en acier inoxydable, même après une seule ou quelques applications.

Méthode de nettoyage :

Frotter dans la direction du grain pour éviter les dommages.

- Nettoyant affresh® pour acier inoxydable – numéro de pièce W10355016 (vendu séparément) :
Consulter le Guide de démarrage rapide pour obtenir les coordonnées.

PEINTURE MÉTALLIQUE (sur certains modèles)

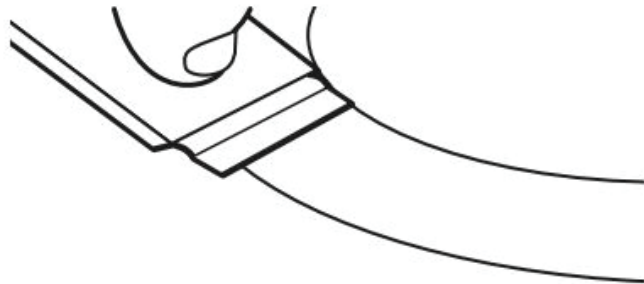
Ne pas utiliser de nettoyants abrasifs, de nettoyants avec agent de blanchiment, de produits antirouille, d'ammoniaque ou d'hydroxyde de sodium (soude), car la surface peinte pourrait se tacher.

NETTOYAGE DE LA TABLE DE CUISSON EN VITROCÉRAMIQUE

Méthode de nettoyage :

Afin d'éviter d'endommager la table de cuisson, ne pas utiliser de laine d'acier, de nettoyants en poudre abrasifs, d'eau de Javel, de produit antirouille ou d'ammoniaque.

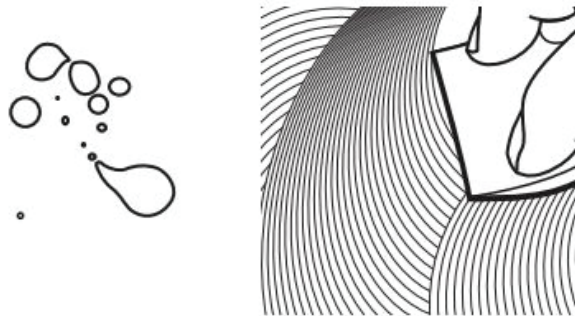
1. Éliminer les salissures alimentaires avec le grattoir pour table de cuisson.



- Pour faciliter le nettoyage, utiliser le grattoir pendant que la table de cuisson est encore tiède, mais non brûlante au toucher. Il est recommandé de porter des mitaines de four pour gratter la table de cuisson tiède.
- Tenir le grattoir pour table de cuisson à un angle d'environ 45° par rapport à la surface de verre et gratter les salissures. Il convient d'appuyer fermement pour éliminer les salissures.

Laisser la table de cuisson refroidir complètement avant de passer à l'étape 2.

2. Appliquer quelques gouttes de nettoyant pour table de cuisson sur les zones concernées.



- Frotter le nettoyant affresh® sur la surface de la table de cuisson avec le tampon bleu à nettoyer les tables de cuisson. Il convient d'appuyer fermement pour éliminer les taches rebelles.
- Laisser le produit nettoyant sécher en une pellicule blanchâtre avant de passer à l'étape 3.

3. Faire briller avec un chiffon ou un essuie-tout propre et sec.



- Répéter au besoin les étapes 1 à 3 pour les taches les plus tenaces ou incrustées.

Le nécessaire complet de nettoyage pour tables de cuisson est offert sur commande. Il contient :

- Grattoir pour table de cuisson
- Nettoyant pour table de cuisson affresh®
- Tampons bleus pour nettoyer les tables de cuisson

Consulter le Guide de démarrage rapide pour les informations de commande.

TABLEAU DE COMMANDE ET EXTÉRIEUR DE LA PORTE DU FOUR

Afin d'éviter d'endommager le tableau de commande, ne pas utiliser de nettoyants abrasifs, de tampons en laine d'acier, de chiffons de lavage rêches ou d'essuie-tout abrasifs.

Méthode de nettoyage :

- Nettoyant à vitre et chiffon doux ou éponge : Appliquer le nettoyant à vitre sur un chiffon doux ou une éponge et non directement sur le tableau.
- Affresh® pour cuisine et appareils ménagers – numéro de pièce W10355010 (vendu séparément) : Consulter le Guide de démarrage rapide pour obtenir les coordonnées.

GRILLES DU FOUR

Méthode de nettoyage :

- Tampon en laine d'acier
- Pour les grilles ternies qui glissent difficilement, enduire légèrement les glissières d'huile végétale; cela facilitera leur glissement.
- Lave-vaisselle (réservoir d'eau de la grille d'étuvage uniquement; la grille d'étuvage n'est pas lavable au lave-vaisselle) : Bien que le réservoir soit durable, il perdra progressivement de son lustre et/ou se décolorera lorsqu'on le lave au lave-vaisselle.

TIROIR DE CUISSON (sur certains modèles)

S'assurer que le tiroir de cuisson est froid et vide avant le nettoyage.

Les éclaboussures alimentaires doivent être nettoyées lorsque le four a refroidi. À des températures élevées, les aliments réagissent avec la porcelaine. Cette réaction peut causer des taches, des attaques, des piqûres ou de légères taches blanches.

Méthode de nettoyage :

- Détergent doux

tiroir-réchaud, tiroir de cuisson ou le tiroir rangement Premium

Vérifier que le tiroir-réchaud, le tiroir de cuisson ou le tiroir de rangement Premium est froid avant de le nettoyer.

Méthode de nettoyage :

- Détergent doux

CAVITÉ DU FOUR

Selon votre modèle, utiliser régulièrement la technologie AquaLift® ou le programme d'autonettoyage pour nettoyer les renversements dans le four.

Ne pas utiliser de nettoyants à four.

Les éclaboussures alimentaires doivent être nettoyées lorsque le four a refroidi. À des températures élevées, les aliments réagissent avec la porcelaine. Cette réaction peut causer des taches, des attaques, des piqûres ou de légères taches blanches.

Méthode de nettoyage :

- Programme de nettoyage : Voir la section « Programme de nettoyage » d'abord.

INSTRUCTIONS D'INSTALLATION SPÉCIFICATIONS

Outils et pièces

Rassembler les outils et pièces nécessaires avant d'entreprendre l'installation. Lire et observer les instructions fournies avec chacun des outils de la liste ci-dessous.

Outils nécessaires

- Ruban à mesurer
- Tournevis à tête plate
- Tournevis à tête cruciforme
- Niveau
- Marteau
- Perceuse manuelle ou électrique
- Clé ou pince
- Marqueur ou crayon
- Lampe de poche
- Clé dynamométrique
- Ruban adhésif de masquage
- Clé à cliquet de 1/4 po (6,4 mm)
- Tourne-écrou de 1/4 po (6,4 mm)
- Tourne-écrou de 3/8 po (9,5 mm) et 5/16 po (8 mm)
- Foret de 1/8 po (3,2 mm) (pour planchers en bois)
- Cisaille de ferblantier ou coupe-fils de gros diamètre (pour couper la tresse de mise à la terre, le cas échéant)

Pièces fournies

Vérifier que toutes les pièces sont présentes.

- 2 vis no 10 x 1 5/8 po (4,1 cm) (pour le montage de la bride antibasculement)
- Bride antibasculement (à l'intérieur de la cavité du four)

La bride antibasculement doit être solidement fixée à la cloison arrière ou au plancher. La profondeur du plancher peut nécessiter des vis plus longues pour l'ancrage de la bride dans le sous-plancher. Des vis plus longues sont offertes chez votre quincaillerie locale.

- Grilles du four (3)

Pièces facultatives

Pour acheter ces accessoires ou d'autres accessoires, consulter le Guide de démarrage rapide pour obtenir les informations de commande.

- **Trousses de garnitures latérales :**

Garniture blanche de 5/8 po (1,7 cm) – commander la pièce no W10675027

Garniture noire de 5/8 po (1,7 cm) – commander la pièce no W10675026

Garniture en acier inoxydable de 5/8 po (1,7 cm) – commander la pièce no W10675028

Garniture blanche de 1 1/8 po (2,9 cm) – commander la pièce no W10731885

1 1/8 po (2,9 cm), noir : commander la référence W10731886

Garniture en acier inoxydable de 1 1/8 po (2,9 cm) – commander la pièce no W10731887

■ **Panneaux anti-éclaboussures :**

Hauteur 6 po (15,2 cm), blanc : commander la pièce no W10655448

Hauteur 6 po (15,2 cm) – commander la pièce no W10655449

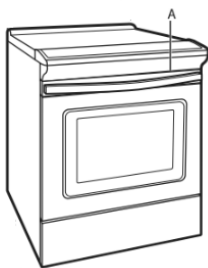
Hauteur 6 po (15,2 cm), acier inoxydable – commander la pièce no W10655450

REMARQUE : S'assurer d'acheter uniquement des pièces et des accessoires Whirlpool certifiés par le fabricant de l'appareil. Il se peut que l'installation nécessite des pièces supplémentaires. Pour commander, consulter les coordonnées indiquées dans le guide de démarrage rapide.

Exigences d'emplacement

IMPORTANT : Observer les dispositions de tous les codes et règlements en vigueur.

- C'est à l'installateur qu'incombe la responsabilité de respecter les distances de séparation spécifiées sur la plaque signalétique. La plaque signalétique se trouve derrière la porte du four, dans le coin supérieur droit du châssis.



A. Plaque signalétique du numéro de modèle et de série

- La cuisinière doit être installée à un endroit pratique dans la cuisine.
- Dans le cas d'une cuisinière encastrée, l'enceinte doit recouvrir complètement les côtés et l'arrière de la cuisinière.
- Pour éliminer les risques de brûlure ou d'incendie en se penchant au-dessus d'une surface qui chauffe, il est déconseillé d'utiliser l'espace de rangement des armoires situées au-dessus de l'appareil. Si des armoires de rangement sont prévues, le risque peut être réduit par l'installation d'une hotte de cuisinière ou d'un ensemble hotte/micro-ondes dépassant horizontalement de 5 po (12,7 cm) au moins par rapport au bas des armoires.
- Toutes les ouvertures dans le mur ou le plancher de l'emplacement d'installation de la cuisinière doivent être scellées.
- Respecter les dimensions indiquées pour les ouvertures à découper dans les armoires. Ces dimensions constituent les valeurs minimales des dégagements.
- La bride antibasculement doit être installée. Pour l'installation de la bride antibasculement fournie avec la cuisinière, voir la section « Installation de la bride antibasculement ».
- Une source d'électricité avec liaison à la terre est nécessaire. Consulter la section « Exigences électriques » appropriée.
- Contacter un installateur de revêtement de sol qualifié, qui pourra déterminer si le revêtement de sol peut résister à une température d'au moins 200 °F (93 °C).
- Dans le cas de l'installation de la cuisinière sur une moquette, placer sous la cuisinière un tapis isolant ou une plaque de contreplaqué de 1/4 po (0,64 cm).

IMPORTANT : Pour éviter d'endommager les armoires, consulter le constructeur de la maison ou le fabricant des armoires pour déterminer si les matériaux utilisés peuvent subir un changement de couleur, une déstratification ou d'autres dommages. Ce four a été conçu conformément aux exigences des normes UL et CSA International et respecte les températures maximales permises de 194 °F (90 °C) pour les armoires en bois.

Résidence mobile – Spécifications supplémentaires à respecter lors de l'installation

L'installation de cette cuisinière doit s'effectuer conformément à la norme Manufactured Home Construction Safety Standards, Title 24 CFR, Part 3280 (anciennement Federal Standard for Mobile Home Construction and Safety, title 24, HUD, Part 280). Lorsque cette norme n'est pas applicable, utiliser la norme Standard for Manufactured Home Installations, ANSI A225.1/NFPA 501A ou les dispositions des codes locaux.

Au Canada, l'installation de cette cuisinière doit satisfaire aux stipulations de la version la plus récente de la norme CAN/CSA-Z240.1 ou des codes locaux en vigueur.

Critères à respecter pour une installation dans une maison mobile :

- Dans le cas de l'installation de cette cuisinière dans une résidence mobile, la cuisinière doit être fixée au plancher durant tout déplacement du véhicule. Toute méthode pour fixer de façon sécuritaire la cuisinière est adéquate dès qu'elle respecte les normes mentionnées plus haut.
- Un cordon ou un câble d'alimentation à 4 fils doit être utilisé lors d'une installation dans une maison mobile. Le câblage de l'appareil devra être consulté. Voir la section « Raccordement électrique – É.-U. seulement ».

Dimensions de l'armoire

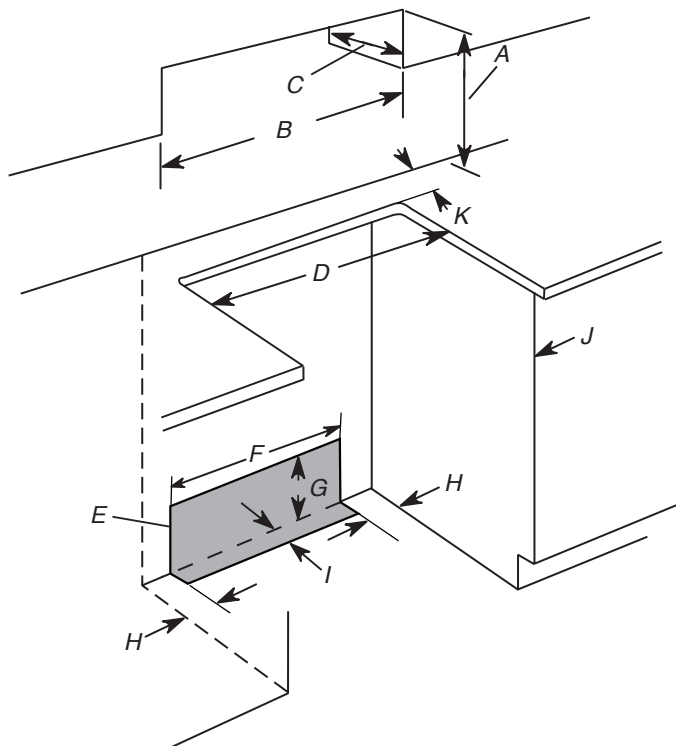
Les dimensions de l'espace entre les armoires correspondent à une installation entre des armoires de 24 po (61,0 cm) de profondeur, avec comptoir de 25 po (64,0 cm) de profondeur et de 36 po (91,4 cm) de hauteur.

IMPORTANT : En cas d'installation d'une hotte ou d'un ensemble hotte/micro-ondes au-dessus de la cuisinière, suivre les instructions fournies avec la hotte ou l'ensemble hotte/micro-ondes concernant les dimensions de dégagement à respecter au-dessus de la surface de la table de cuisson.

La cuisinière peut être installée sans dégagement près de murs fabriqués de matières combustibles.

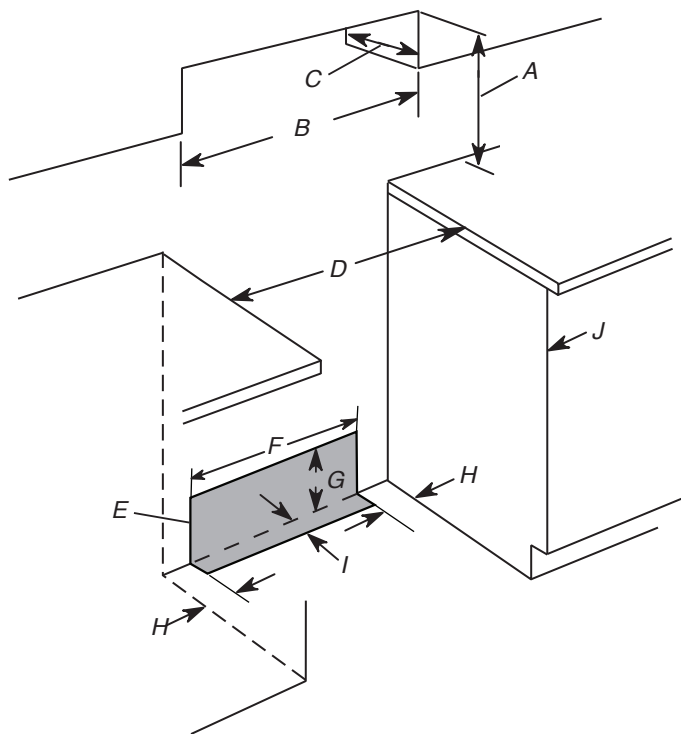
REMARQUE : Lorsqu'une cuisinière encastrée est glissée dans une ouverture prévue à cet effet, l'avant de la porte du four peut dépasser de l'armoire.

Découpe pour cuisinière encastrée



- A. Pour le dégagement minimum vers la partie supérieure de la table de cuisson, voir la REMARQUE*.
- B. 30 po (76,2 cm) minimum de largeur d'ouverture
- C. 13 po (33 cm) maximum de profondeur de l'armoire supérieure
- D. 30 po (76,2 cm) minimum de largeur d'ouverture
- E. La zone ombragée est recommandée pour l'installation de tuyau de gaz rigide et de la prise avec mise à la terre.
- F. 13 1/8 po (33,3 cm)
- G. 7 11/16 po (19,5 cm)
- H. 4 13/16 po (12,2 cm)
- I. 3 11/16 po (9,4 cm) plus la mesure M
- J. La porte ou les charnières de l'armoire ne doivent pas dépasser à l'intérieur de l'ouverture.
- K. La profondeur restante du comptoir ne doit pas dépasser 2 1/4 po (5,7 cm).

Découpe pour cuisinière autoportante



- A. Pour le dégagement minimum vers la partie supérieure de la table de cuisson, voir la REMARQUE*.
- B. 30 po (76,2 cm) minimum de largeur d'ouverture
- C. 13 po (33 cm) maximum de profondeur de l'armoire supérieure
- D. 30 po (76,2 cm) minimum de largeur d'ouverture
- E. La zone ombragée est recommandée pour l'installation de tuyau de gaz rigide et de la prise avec mise à la terre.
- F. 13 1/8 po (33,3 cm)
- G. 7 11/16 po (19,5 cm)
- H. 4 13/16 po (12,2 cm)
- I. 3 11/16 po (9,4 cm)
- J. La porte ou les charnières de l'armoire ne doivent pas dépasser à l'intérieur de l'ouverture.

***REMARQUE :** Distance de séparation de 24 po (61,0 cm) ou plus lorsque le fond d'une armoire de bois ou de métal est protégé d'une planche ignifugée d'au moins 1/4 po (0,64 cm) recouverte d'une feuille métallique d'épaisseur égale ou supérieure à : acier calibre 28 MSG, acier inoxydable 0,015 po (0,4 mm), aluminium 0,024 po (0,6 mm) ou cuivre 0,020 po (0,5 mm).

Distance de séparation minimale de 30 po (76,2 cm) ou plus entre le dessus de la table de cuisson et le fond d'une armoire de bois ou de métal non protégée.

Spécifications électriques – É.-U. seulement

⚠ AVERTISSEMENT



Risque de décharge électrique

Appareil relié à la terre.

Le non-respect de ces instructions peut causer un décès, un incendie ou une décharge électrique.

S'assurer que le raccordement électrique est adéquat et conforme au code national de l'électricité, ANSI/NFPA 70, dernière édition, et à tous les codes et règlements locaux en vigueur.

Pour obtenir un exemplaire des normes des codes ci-dessus, contacter :

National Fire Protection Association
1 Batterymarch Park
Quincy, MA 02169-7471

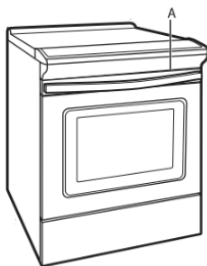
AVERTISSEMENT : Un raccordement inapproprié du conducteur de mise à la terre de l'équipement peut causer un risque de décharge électrique. Vérifier avec un électricien ou un technicien de dépannage qualifié en cas de doute quant à la qualité de la liaison à la terre de l'appareil. Ne pas modifier la prise du cordon d'alimentation. Si elle ne correspond pas à la prise de sortie, faire installer une fiche appropriée par un électricien qualifié.

Raccordement électrique

Vérifier les codes locaux et consulter le fournisseur de gaz. Vérifier l'alimentation en gaz et l'alimentation électrique existantes. Voir la section « Spécifications de l'alimentation en gaz ».

Il est recommandé de faire réaliser tous les raccordements électriques par un électricien qualifié.

- La cuisinière doit être alimentée par une source d'électricité appropriée (caractéristiques de tension et fréquence spécifiées sur la plaque signalétique). La plaque signalétique se trouve derrière la porte du four, dans le coin supérieur droit du châssis.



A. Plaque signalétique (située derrière la porte du four, dans le coin supérieur droit du châssis)

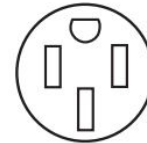
- Cette cuisinière est fabriquée avec un cordon d'alimentation à 4 conducteurs classé pour une tension de 240 V à 40 A pour une utilisation à 194 °F (90 °C) et dont l'utilisation avec les cuisinières a été testée.

Puissance nominale de la cuisinière*		Intensité nominale spécifiée du cordon d'alimentation et de la protection du circuit
120/240 V	120/208 V	A
8,8–16,5 kW	7,8–12,5 kW	40 ou 50**
16,6–22,5 kW	12,6–18,5 kW	50

* La charge NEC calculée est inférieure à la charge totale connectée indiquée sur la plaque signalétique.

** Si l'appareil est branché à un circuit de 50 A, utiliser un cordon de 50 A avec la trousse. Pour les ensembles avec cordon de 50 A nominal, utiliser des trousse conçues pour être utilisées avec une ouverture de raccord d'un diamètre nominal de 1 3/8 po (34,9 mm).


- Lorsqu'une source d'alimentation à une phase à 4 fils de 240 V CA à 60 Hz est accessible, une protection de circuit minimum de 40 A avec fusible aux deux bouts du circuit est requise pour les cuisinières de 30 po (76,2 cm).
- On recommande d'utiliser un fusible ou un disjoncteur temporisé.
- Cette cuisinière est munie d'un cordon d'alimentation certifié UL ou CSA International Certified conçu pour être branché dans un réceptacle mural 14-50R standard. Veiller à ce que la prise murale se trouve à proximité de l'emplacement définitif de la cuisinière.



- Ne pas utiliser de rallonge.
- Le schéma de câblage est situé au dos de la cuisinière ou dans un sac de plastique transparent.

Spécifications électriques – Canada seulement

⚠ AVERTISSEMENT



Risque de décharge électrique

Appareil relié à la terre.

Le non-respect de ces instructions peut causer un décès, un incendie ou une décharge électrique.

Vérifier que le raccordement à la source d'électricité et le calibre des conducteurs sont conformes aux prescriptions de la plus récente édition de la norme CSA C22.1, partie 1 – Code canadien de l'électricité, et de tout code ou règlement local en vigueur.

Pour obtenir un exemplaire des normes des codes ci-dessus, contacter :

Association canadienne de normalisation
178 Rexdale Blvd.
Toronto, ON M9W 1R3 CANADA

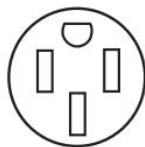
- En cas de doute quant à la qualité de la liaison à la terre de la cuisinière, consulter un électricien qualifié.

Puissance nominale de la cuisinière*	Intensité nominale spécifiée du cordon d'alimentation et de la protection du circuit	
120/240 V	120/208 V	A
8,8–16,5 kW	7,8–12,5 kW	40 ou 50**
16,6–22,5 kW	12,6–18,5 kW	50

* La charge NEC calculée est inférieure à la charge totale connectée indiquée sur la plaque signalétique.

** Si l'appareil est branché à un circuit de 50 A, utiliser un cordon de 50 A avec la trousse. Pour les ensembles avec cordon de 50 A nominal, utiliser des trousse conçues pour être utilisées avec une ouverture de raccord d'un diamètre nominal de 1 3/8 po (34,9 mm).

- Lorsqu'une source d'alimentation à une phase à 4 fils de 240 V CA à 60 Hz est accessible, une protection de circuit minimum de 40 A avec fusible aux deux bouts du circuit est requise pour les cuisinières de 30 po (76,2 cm).
- On recommande d'utiliser un fusible ou un disjoncteur temporisé.
- Cette cuisinière est munie d'un cordon d'alimentation certifié UL ou CSA International Certified conçu pour être branché dans un réceptacle mural 14-50R standard. Veiller à ce que la prise murale se trouve à proximité de l'emplacement définitif de la cuisinière.



- Ne pas utiliser de rallonge.
- Le schéma de câblage est situé au dos de la cuisinière ou dans un sac de plastique transparent.

INSTALLATION

Déballage de la cuisinière

⚠ AVERTISSEMENT

Risque de poids excessif

Utiliser deux personnes ou plus pour déplacer et installer l'appareil.

Le non-respect de cette instruction peut causer une blessure au dos ou d'autres blessures.

1. Ôter les matériaux d'emballage, le ruban adhésif et la pellicule protectrice de la cuisinière. Garder la base de carton sous la cuisinière. Ne rien jeter avant d'avoir terminé l'installation.
2. Retirer les grilles de four et le sachet de pièces du four et des matériaux d'emballage.
3. Pour retirer le fond en carton, prendre d'abord les 4 coins en carton de la caisse. Empiler l'un des coins sur un autre. Répéter avec les 2 autres coins. Les disposer sur le plancher dans le sens de la longueur derrière la cuisinière, à titre de support de la cuisinière lorsque celle-ci est placée sur sa partie postérieure.
4. À l'aide d'au moins deux personnes, saisir fermement la cuisinière et la déposer délicatement sur sa partie postérieure, sur les coins de protection.
5. Retirer le fond en carton.

Les pieds de nivellement peuvent être réglés pendant que la cuisinière repose sur sa partie postérieure. Voir la section « Réglage des pieds de nivellement ».

REMARQUE : Pour relever la cuisinière en position verticale, placer un carton ou un panneau de fibres dur au sol devant la cuisinière pour protéger le plancher. À 2 personnes au moins, redresser la cuisinière et la placer sur le carton ou le panneau de fibres dur.

Installation de la bride antibasculement

⚠ AVERTISSEMENT



Risque de basculement

Une personne, enfant ou adulte, peut faire basculer la cuisinière et subir des blessures mortelles.

Fixer la bride antibasculement au plancher ou au mur, conformément aux instructions d'installation.

Faire glisser de nouveau la cuisinière de façon à ce que le pied arrière de la cuisinière se trouve dans la fente de la bride antibasculement.

Réengager la bride antibasculement si la cuisinière a été déplacée.

Ne pas faire fonctionner la cuisinière si la bride antibasculement n'est pas installée et engagée.

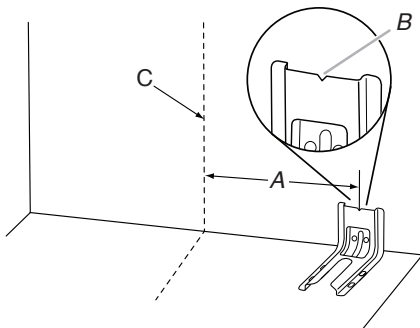
Le non-respect de ces instructions peut causer un décès ou des brûlures graves aux enfants et aux adultes.

- Sortir la bride antibasculement de l'intérieur du four.
- Déterminer la méthode de montage à utiliser : au plancher ou au mur.

Pour un plancher en pierre ou en briquetage, on peut utiliser la méthode de montage au mur. En cas d'installation de la cuisinière dans une résidence mobile, il est impératif de fixer la cuisinière au sol.

Cette bride antibasculement et les vis peuvent être utilisées avec des goujons en métal ou en bois.

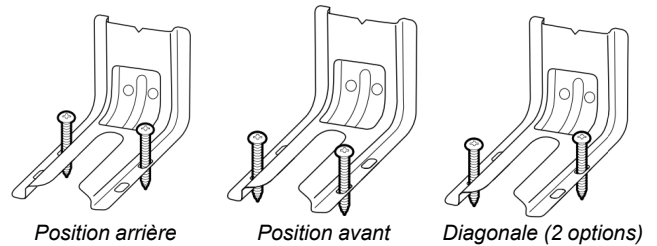
- Déterminer et marquer l'axe central de l'espace à découper. Le montage peut être effectué du côté gauche ou droit de la découpe. Positionner la bride de montage contre le mur dans l'ouverture, de telle sorte que l'encoche en V de la bride se trouve à 12 1/2 po (31,8 cm) de l'axe central, comme illustré.



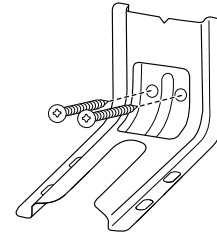
- A. 12 1/2 po (31,8 cm)
 B. Encoche en V de la bride
 C. Axe central

- Percer deux trous de 1/8 po (3 mm) qui correspondent aux trous de la bride selon la méthode de montage déterminée. Voir les illustrations suivantes.

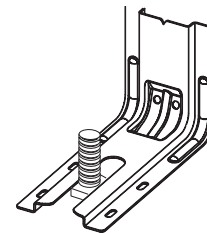
Montage au plancher



Montage mural



- À l'aide des deux vis cruciformes no 10 x 1 5/8 po (4,1 cm) incluses, fixer la bride antibasculement au mur ou au plancher.
- Rapprocher la cuisinière le plus près possible de l'ouverture afin de faciliter les raccordements électriques définitifs. Retirer la plaque de transport, le carton ou le panneau de fibres dur de sous la cuisinière.
- Déplacer la cuisinière vers son emplacement final en s'assurant que le pied de nivellement arrière glisse dans la bride antibasculement.



- Déplacer la cuisinière vers l'avant sur sa plaque de transport, son carton ou son panneau de fibres dur pour poursuivre l'installation de la cuisinière à l'aide des instructions d'installation suivantes.

Réglage des pieds de nivellement

1. Si un réglage de la hauteur de la cuisinière est nécessaire, utiliser une clé ou une pince pour desserrer les quatre pieds de nivellement.

Cette opération peut être effectuée alors que la cuisinière repose sur sa partie postérieure ou sur deux pieds après avoir été relevée en position verticale.

REMARQUE : Pour placer à nouveau la cuisinière en position verticale, placer un carton ou un panneau de fibres dur devant la cuisinière. À l'aide de deux personnes ou plus, replacer la cuisinière debout sur le carton ou le panneau de fibre.

AVERTISSEMENT



Risque de basculement

Une personne, enfant ou adulte, peut faire basculer la cuisinière et subir des blessures mortelles.

Fixer la bride antibasculement au plancher ou au mur, conformément aux instructions d'installation.

Faire glisser de nouveau la cuisinière de façon à ce que le pied arrière de la cuisinière se trouve dans la fente de la bride antibasculement.

Réengager la bride antibasculement si la cuisinière a été déplacée.

Ne pas faire fonctionner la cuisinière si la bride antibasculement n'est pas installée et engagée.

Le non-respect de ces instructions peut causer un décès ou des brûlures graves aux enfants et aux adultes.

2. Mesurer la distance entre le haut du plan de travail et le plancher.
3. Mesurer la distance entre le haut de la table de cuisson et le bas des pieds de nivellement. Cette distance doit être la même. Dans le cas contraire, régler les pieds de nivellement à la hauteur correcte. Les pieds de nivellement peuvent être desserrés pour ajouter une hauteur maximum de 1 po (2,5 cm). Une longueur minimum de 3/16 po (5 mm) est nécessaire pour engager la bride antibasculement.

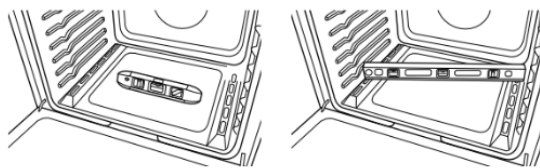
REMARQUE : Si un réglage de la hauteur est effectué alors que la cuisinière est debout, incliner la cuisinière vers l'arrière pour régler les pieds avant, puis incliner la cuisinière vers l'avant pour régler les pieds arrière.

4. Lorsque la cuisinière est à la hauteur souhaitée, vérifier que l'espace sous la cuisinière est suffisant pour loger la bride antibasculement. Avant de faire glisser la cuisinière à son emplacement final, vérifier qu'il sera possible de faire glisser la bride antibasculement sous la cuisinière et sur le pied de nivellement arrière avant l'installation de la bride antibasculement.

REMARQUE : En cas d'utilisation d'un jeu de garnitures, le dessus de la table de cuisson doit être plus haut que le plan de travail. Voir les instructions d'installation fournie avec le jeu de garnitures pour la hauteur correcte.

Réglage de l'aplomb de la cuisinière

1. En fonction de la taille du niveau, le placer sur le bas du four comme indiqué dans l'une des deux illustrations ci-dessous. Contrôler l'aplomb transversal et dans le sens avant/arrière.



2. Si la cuisinière n'est pas horizontale, utiliser une clé ou une pince pour régler les pieds de nivellement vers le haut ou vers le bas jusqu'à ce que la cuisinière soit d'aplomb.

REMARQUE : La cuisinière doit être d'aplomb pour que les résultats de cuisson au four soient satisfaisants et les résultats de nettoyage idéaux avec la technologie d'autonettoyage AquaLift®.

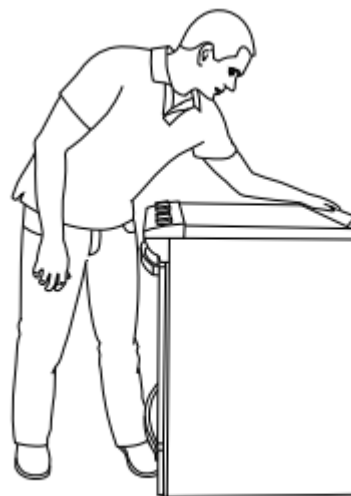
Vérifier que la bride antibasculement est bien installée et engagée

Sur les cuisinières équipées d'un tiroir de remisage :

1. Glisser la cuisinière dans son emplacement final en s'assurant que le pied de nivellement arrière glisse dans la bride antibasculement.
2. Retirer le tiroir de remisage. Voir la section « Enlever/replacer du tiroir ».
3. Au moyen d'une torche électrique, inspecter le dessous de la cuisinière.
4. Vérifier visuellement que le pied arrière de la cuisinière se trouve dans la fente de la bride antibasculement.

Sur les cuisinières équipées d'un tiroir-réchaud ou d'un tiroir de cuisson :

1. Glisser la cuisinière dans son emplacement final en s'assurant que le pied de nivellement arrière glisse dans la bride antibasculement. Laisser un espace de 1 po (2,5 cm) entre le dos de la cuisinière et le mur du fond.
2. Placer l'extérieur de votre pied contre le bas de l'avant du tiroir-réchaud ou tiroir de cuisson pour empêcher la cuisinière de bouger, puis agripper l'arrière de la cuisinière comme indiqué.



3. Tenter d'incliner la cuisinière vers l'avant avec précaution. En cas de résistance immédiate, cela signifie que le pied de la cuisinière est engagé dans la bride antibasculement. Passer à l'étape 8.

4. Si l'arrière de la cuisinière se soulève de plus de 1/2 po (1,3 cm) du plancher sans opposer de résistance, cesser d'incliner la cuisinière et la reposer doucement sur le plancher. Le pied de la cuisinière n'est pas engagé dans la bride antibasculement.

IMPORTANT : Si l'on entend un claquement ou un bruit d'éclatement lorsqu'on soulève la cuisinière, cela signifie peut-être que la cuisinière n'est pas bien engagée dans la bride. Vérifier qu'aucun obstacle n'empêche la cuisinière de glisser jusqu'au mur ou le pied de la cuisinière de glisser dans la bride. Vérifier que la bride est fermement maintenue en place par les vis de montage.

5. Glisser la cuisinière vers l'avant et vérifier que la bride antibasculement est bien fixée au plancher ou au mur.
6. Faire glisser de nouveau la cuisinière de façon à ce que son pied arrière se trouve dans la fente de la bride antibasculement.
7. Répéter les étapes 1 et 2 pour s'assurer que le pied de la cuisinière est bien engagé dans la bride antibasculement.

Si l'arrière de la cuisinière se soulève de plus de 1/2 po (1,3 cm) du plancher sans opposer de résistance, cela peut signifier que la bride antibasculement n'est pas correctement installée. Ne pas faire fonctionner la cuisinière si la bride antibasculement n'est pas installée et engagée. Consulter le Guide de démarrage rapide pour obtenir les coordonnées.

8. Déplacer la cuisinière à son emplacement définitif. Vérifier que la cuisinière est d'aplomb en plaçant un niveau dans le bas du four. Voir la section « Réglage de l'aplomb de la cuisinière ».

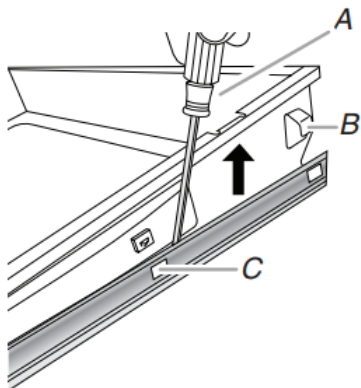
IMPORTANT : Si la cuisinière est déplacée pour régler les pieds de nivellement, s'assurer que la bride antibasculement est bien engagée en répétant les étapes 1 à 8.

Enlever/replacer le tiroir

Enlever tous les objets du tiroir-réchaud, du tiroir de cuisson ou du tiroir de remisage de qualité supérieure, puis laisser la cuisinière refroidir complètement avant d'essayer d'enlever le tiroir.

Retrait :

1. Ouvrir le tiroir complètement.
2. À l'aide d'un tournevis à lame plate, desserrer doucement le tiroir pour le dégager de l'encoche d'alignement de glissières et soulever l'onglet d'alignement du tiroir pour le dégager de la glissière.

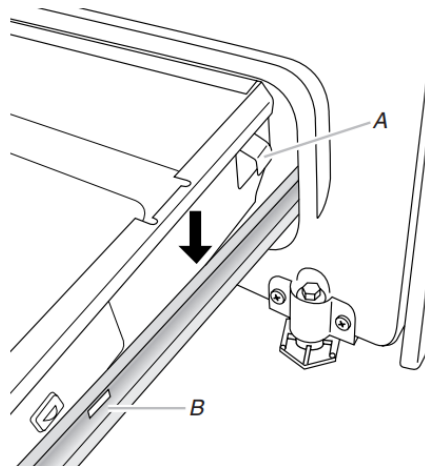


A. Tournevis à tête plate
B. Onglet d'alignement du tiroir
C. Encoche de glissière de tiroir

3. Répéter l'étape 2 pour l'autre côté. Le tiroir n'est plus fixé aux glissières de tiroir. Avec les deux mains, saisir le tiroir pour le retirer complètement.

Replacer :

1. Aligner les encoches de l'avant du tiroir avec les encoches des glissières latérales à l'intérieur du tiroir (de chaque côté). Placer les onglets d'alignements arrière dans les glissières de tiroir (de chaque côté).



A. Onglet d'alignement du tiroir
B. Encoche de glissière de tiroir

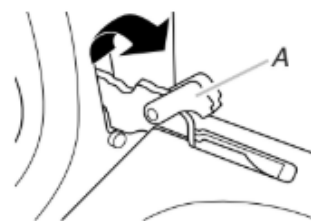
2. Pousser le tiroir complètement.
3. Ouvrir et fermer délicatement le tiroir pour s'assurer qu'il est bien engagé dans les glissières des deux côtés.

Porte du four

Il n'est pas recommandé d'enlever la porte du four pour une utilisation normale. Toutefois, si la dépose est nécessaire, s'assurer que le four est éteint et froid. Ensuite, suivre les instructions ci-dessous. La porte du four est lourde.

Retrait :

1. Ouvrir la porte du four complètement.
2. Pincer le loquet de charnière entre les deux doigts et le tirer vers l'avant. Répéter ces opérations pour l'autre côté de la porte du four.



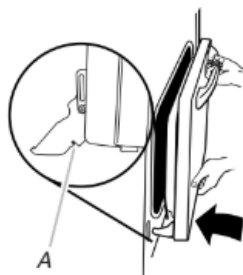
A. Loquet de charnière

3. Fermer la porte du four aussi loin que possible.
4. Soulever la porte du four en la retenant de chaque côté. Continuer de maintenir la porte du four fermée et la dégager du châssis de la porte du four.



Replacer :

1. Insérer les deux bras de suspension dans la porte. Vérifier que les encoches de charnière sont engagées dans le cadre de la porte du four.



A. Encoche de charnière

2. Ouvrir la porte du four.
La porte doit pouvoir s'ouvrir complètement.
3. Remettre les leviers des charnières à la position verrouillée. Vérifier que la porte s'ouvre et se ferme facilement et qu'elle est bien droite en position fermée. Si ce n'est pas le cas, répéter la procédure pour enlever et reposer la porte.

Achever l'installation

1. Vérifier que toutes les pièces sont maintenant installées. S'il reste une pièce, passer en revue les différentes étapes pour découvrir laquelle aurait été oubliée.
2. Vérifier la présence de tous les outils.
3. Vérifier que tous les accessoires de la cuisinière sont présents, en particulier les grilles du four. Ces accessoires peuvent se trouver dans les matériaux d'emballage de la cuisinière.
4. Éliminer/recycler tous les matériaux d'emballage.
5. Vérifier que la cuisinière est d'aplomb. Voir la section « Réglage de l'aplomb de la cuisinière ».
6. Utiliser une solution d'eau tiède et de nettoyant ménager doux pour éliminer tout résidu de cire laissé par les matériaux d'emballage. Sécher soigneusement avec un chiffon doux. Pour obtenir plus d'informations, voir la section « Entretien et réparation de la cuisinière ».
7. Lire le Guide de démarrage rapide et le Guide de commande en ligne.
8. Brancher le cordon électrique dans la prise de courant appropriée. Mettre l'appareil sous tension.
9. Mettre en marche les brûleurs de surface et le four. Consulter le Guide de démarrage rapide et le Guide de commande pour obtenir des instructions précises sur le fonctionnement de la cuisinière.

REMARQUE : Au cours des premières utilisations du four, il est normal qu'il dégage des odeurs et de la fumée.

Si la cuisinière ne fonctionne pas, contrôler ce qui suit :

- Le fusible domestique est intact et bien visé ou le disjoncteur n'est pas ouvert.
- La cuisinière est branchée sur une prise reliée à la terre.
- La prise de courant est correctement alimentée.

IMPORTANT : Si le tableau de commande de la cuisinière affiche le code d'erreur « F9 » ou « F9, E0 », cela peut signifier que le câblage de la prise électrique est défectueux. Déconnecter la source de courant électrique et contacter un électricien qualifié pour qu'il contrôle le circuit d'alimentation électrique.

10. Après 5 minutes de fonctionnement de la cuisinière, vérifier la chaleur. Si la cuisinière est froide, fermer le four et contacter un électricien qualifié.

Pour obtenir de l'assistance ou une visite de service :
Consulter le Guide de démarrage rapide pour obtenir les coordonnées.

Déplacement de la cuisinière

⚠ AVERTISSEMENT



Risque de basculement

Une personne, enfant ou adulte, peut faire basculer la cuisinière et subir des blessures mortelles.

Fixer la bride antibasculement au plancher ou au mur, conformément aux instructions d'installation.

Faire glisser de nouveau la cuisinière de façon à ce que le pied arrière de la cuisinière se trouve dans la fente de la bride antibasculement.

Réengager la bride antibasculement si la cuisinière a été déplacée.

Ne pas faire fonctionner la cuisinière si la bride antibasculement n'est pas installée et engagée.

Le non-respect de ces instructions peut causer un décès ou des brûlures graves aux enfants et aux adultes.

Lorsqu'on déplace la cuisinière, la faire glisser sur une planche de carton ou en matériau dur pour éviter d'endommager le revêtement du sol.

Si le déplacement de la cuisinière est nécessaire pour le nettoyage ou l'entretien :

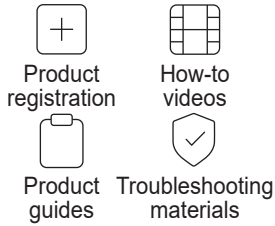
Cuisinières alimentées par cordon d'alimentation :

1. Faire glisser la cuisinière vers l'avant.
2. Débrancher le cordon d'alimentation électrique.
3. Effectuer le nettoyage ou l'entretien.
4. Brancher le cordon d'alimentation électrique.
5. Vérifier que la bride antibasculement est bien installée et engagée. Voir la section « Vérifier que la bride antibasculement est bien installée et engagée ».
6. Vérifier que la cuisinière est d'aplomb.

Guide De Démarrage Rapide

ENREGISTREMENT DU PRODUIT ET INFORMATIONS POUR LE PROPRIÉTAIRE

VOTRE CODE À BARRES 2D DÉBLOQUE



VOTRE CODE À BARRES 2D DÉBLOQUE... des informations sur l'enregistrement et la garantie du produit, des instructions d'installation, des vidéos pratiques et des accessoires supplémentaires pour tirer le meilleur parti de votre produit. Si vous avez acheté un appareil intelligent, votre code à barres 2D vous indiquera comment télécharger l'application et vous connecter. Vous pouvez accéder à l'ensemble des instructions d'installation, d'entretien et d'utilisation, aux détails de la garantie et à d'autres informations en visitant notre site web au www.kitchenaid.com/owners ou www.kitchenaid.ca/proprietaire. Cette vérification peut vous faire économiser le coût d'une intervention de dépannage. Pour recevoir gratuitement un exemplaire imprimé des informations en ligne, appelez-nous au **1 800 422-1230** (États-Unis) / **1 800 807-6777** (Canada) ou écrivez-nous au :

KitchenAid Brand Home Appliances
Customer eXperience Center
553 Benson Road
Benton Harbor, MI 49022-2692

KitchenAid Brand Home Appliances
Customer eXperience Center Unit
200-6750 Century Ave.
Mississauga, Ontario L5N 0B7

Enregistrez-vous pour accéder aux informations relatives à la garantie et recevoir des notifications importantes concernant votre produit. Balayez la carte d'enregistrement photo ou le code à barres 2D pour enregistrer votre produit.

INSTRUCTIONS D'UTILISATION

AVERTISSEMENT : Pour réduire le risque d'incendie, de décharge électrique ou de blessures, lire les INSTRUCTIONS IMPORTANTES DE SÉCURITÉ du guide d'utilisation de votre appareil avant de faire fonctionner cet appareil.

Utiliser votre four

- Step 1.** Sélectionner la fonction du four.
- Step 2.** Régler la température.
- Step 3.** Appuyer sur Start (mise en marche).
- Step 4.** Placer les aliments dans le four une fois la température réglée atteinte. Fermer la porte du four.
- Step 5.** (Optionnel) Saisir la durée de cuisson.
- Step 6.** Le bouton Cancel (annuler) peut être utilisé pour annuler la fonction pendant ou une fois la durée de cuisson terminée.

REMARQUE : Pour obtenir des instructions plus détaillées sur des fonctions précises, consulter le Guide des commandes en ligne.

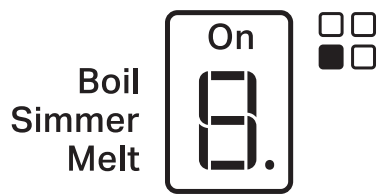
Utilisation de votre cuisinière

AVERTISSEMENT

Risque d'incendie

Fermer tous les réglages lorsque la cuisson est terminée.

Le non-respect de cette instruction peut causer un décès ou une décharge électrique.



Pour utiliser, appuyer sur Power (mise sous tension) et appuyer sur la zone de l'écran pour mettre en marche l'élément chauffant souhaité.



Sélectionner un niveau de chaleur « L » à « H » en touchant/faisant glisser le curseur de puissance.

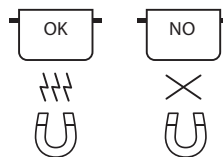
SABBATH MODE (MODE SABBAT) :

Le Sabbath mode (mode Sabbat) permet au four de continuer à fonctionner sur un réglage de cuisson au four jusqu'à ce qu'on le désactive.

Pour obtenir de l'aide concernant l'utilisation de ce produit, ainsi qu'une liste des modèles munis du Sabbath mode (mode Sabbat), consulter le www.star-k.org ou nous contacter en utilisant les informations suivantes.

Ustensiles pour cuisson par induction

CASSEROLES ET POÊLES



Il ne faut utiliser que des casseroles et poêles fabriquées de matière ferromagnétique conçue à l'usage des tables de cuisson par induction :

- Acier émaillé.
- Fonte
- Acier inoxydable conçu pour les tables de cuisson par induction.

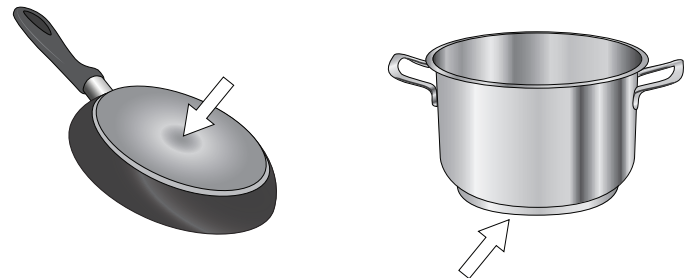
Pour savoir si une casserole convient, un aimant peut être placé sous l'ustensile pour vérifier s'il est magnétique.

La qualité et la structure du fond de la casserole peuvent avoir une incidence sur le rendement de cuisson. Certaines indications du diamètre du fond ne correspondent pas au diamètre réel de la surface ferromagnétique.

Certaines casseroles et poêles ne possèdent qu'une partie de leur fond fabriquée en matière ferromagnétique, l'autre partie est fabriquée dans une matière qui ne convient pas pour la cuisson par induction. Ces zones peuvent chauffer à des niveaux différents ou à une température inférieure. Dans certaines situations, lorsque le fond est fabriqué principalement de matière qui n'est pas ferromagnétique, la table de cuisson peut ne pas reconnaître l'ustensile, ce qui préviendra la mise en marche de la zone de cuisson.



Pour assurer une efficacité optimale, utiliser toujours des casseroles et poêles avec fond plat qui chauffe de façon uniforme. Un fond qui n'est pas plat aura une incidence sur la puissance et la conduction de la chaleur.



Casseroles vides ou à fond mince

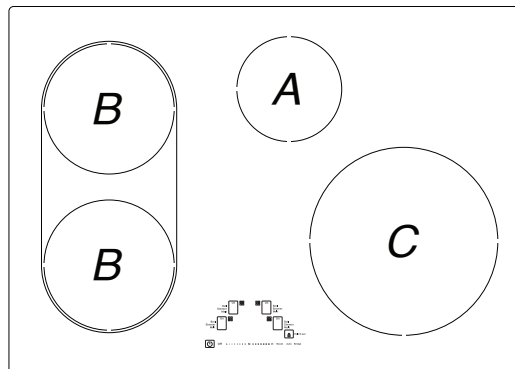
N'utilisez pas une casserole ou une poêle vide lorsque la table de cuisson est en marche.

Taille appropriée de la base de casserole/casserole pour les différentes zones de cuisson

Pour assurer un fonctionnement adéquat de la table de cuisson, utiliser des casseroles dont le diamètre est convenable.

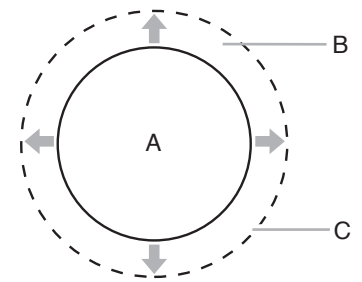
Toujours utiliser la zone de cuisson qui correspond au diamètre minimum du fond de la casserole.

Placer la casserole en s'assurant qu'elle est bien centrée sur la zone de cuisson utilisée. Utiliser des ustensiles de cuisson de la même taille environ que la surface de cuisson. L'ustensile de cuisson ne doit pas dépasser de plus de 1/2 po (1,3 cm) hors de la zone de cuisson.



Diamètres minimaux recommandés pour les casseroles

- 4 3/4 po (12 cm) minimum
- 5 11/16 po (14,5 cm) minimum
- 7 1/16 po (18 cm) minimum



- Zone de cuisson de la surface
- Ustensiles de cuisson/autoclave
- Dépassement maximum de 1/2 po (1,3 cm)

MÉMORISER : Lorsque la cuisinière est en marche, toute la surface de la table de cuisson peut devenir chaude.

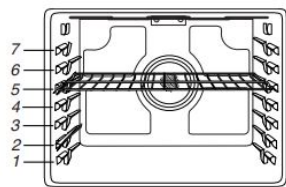
POSITIONNEMENT DES GRILLES ET DES USTENSILES DE CUISSON AU FOUR

IMPORTANT : Afin d'éviter des dommages permanents au fini en porcelaine, ne pas placer d'aliments ou d'ustensiles de cuisson au four directement sur la porte ou sur le fond du four.

Grilles

- Placer les grilles avant d'allumer le four.
- Ne pas installer les grilles lorsque des ustensiles de cuisson au four se trouvent dessus.
- S'assurer que les grilles sont horizontales.

Pour positionner une grille, la tirer jusqu'à la butée, soulever l'avant puis la retirer. Utiliser l'illustration suivante comme guide.

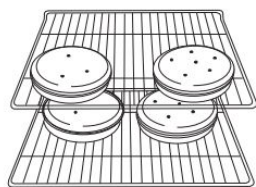


Pour qu'une galette à hamburger soit bien saisie à l'extérieur tout en restant bien tendre à l'intérieur, utiliser une grille plate en position 7. La cuisson du 1er côté devrait prendre entre 2 1/2 à 3 1/2 minutes. La cuisson du 2e côté devrait prendre entre 4 et 5 minutes. Une légère fumée peut se dégager durant la cuisson au gril.

CUISSON AU FOUR DE BISCUITS ET DE GÂTEAUX À ÉTAGES SUR 2 GRILLES

Cuisson au four de gâteaux à étages

Pour une cuisson optimale de gâteaux sur 2 grilles, utiliser la fonction Bake (cuisson au four) avec une grille plate en position 3 et une grille déployante en position 5. Placer les gâteaux sur les grilles comme indiqué. Prévoir un espace d'au moins 3 po (7,6 cm) entre le bord avant des grilles et les gâteaux placés à l'avant.



Cuisson au four de biscuits

Pour une cuisson optimale de biscuits sur 2 grilles, utiliser la fonction convection Bake (cuisson au four par convection) avec une grille plate en position 3 et une grille déployante en position 5.

PAPIER D'ALUMINIUM

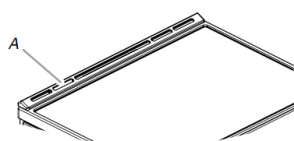
IMPORTANT : Pour éviter des dommages permanents au fini du fond du four, ne pas recouvrir le fond avec du papier d'aluminium ou un revêtement quelconque.

Pour obtenir les meilleurs résultats de cuisson, ne pas couvrir entièrement la grille d'aluminium, car l'air doit pouvoir circuler librement.

IMPORTANT : Ne pas laisser le papier d'aluminium et les sondes à viande entrer en contact avec les éléments chauffants.

ÉVENT DU FOUR

L'évent du four permet l'évacuation de l'air chaud et de l'humidité du four. Il ne doit pas être obstrué ou couvert. Le fait d'obstruer ou de couvrir l'évent nuit à la circulation adéquate de l'air et affecte les résultats de cuisson et de nettoyage. Ne pas placer près de l'évent du four des objets en plastique, en papier ou susceptibles de fondre ou de brûler.



A. Évén du four

OVEN LIGHT

(lampe du four)

La lampe du four est une ampoule à halogène de 40 W. Avant le remplacement, s'assurer que le four et la table de cuisson sont froids et que les boutons de commande sont à la position Off (arrêt).

Replacer :

1. Débrancher l'alimentation.
2. Tourner le couvercle en verre de l'ampoule à l'arrière du four dans le sens antihoraire et l'enlever.
3. Retirer l'ampoule.
4. Remplacer l'ampoule en la manipulant avec un mouchoir de papier ou des gants de coton. Pour éviter les dommages ou la réduction de la durée de vie d'une ampoule neuve, ne pas toucher l'ampoule avec les doigts nus.
5. Replacer le bulbe en tournant dans le sens horaire.
6. Rebrancher l'alimentation.

IMPORTANT : Ne pas utiliser d'ampoule d'une puissance supérieure à 40 W.

Guide Des Commandes

GUIDE DES CARACTÉRISTIQUES

AVERTISSEMENT : Pour réduire le risque d'incendie, de décharge électrique ou de blessures, lire les INSTRUCTIONS IMPORTANTES DE SÉCURITÉ du guide d'utilisation de votre appareil avant de faire fonctionner cet appareil.

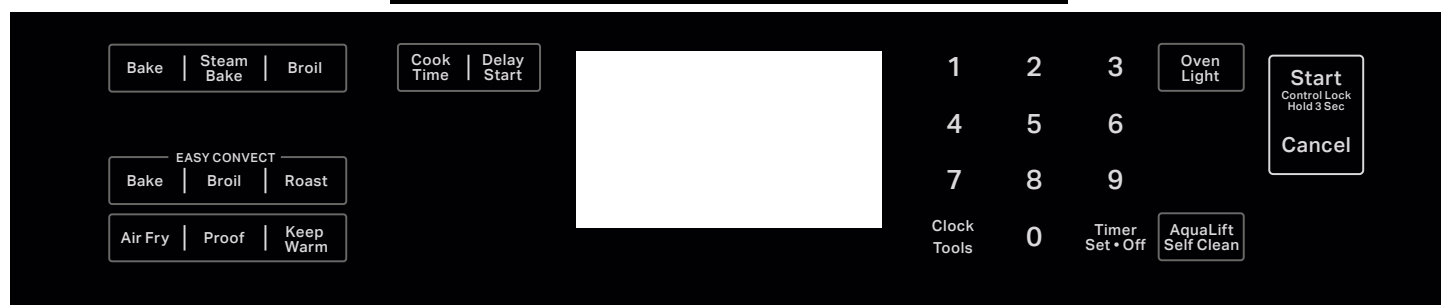
Le présent manuel couvre plusieurs modèles. Le modèle que vous avez peut comporter toutes les caractéristiques énumérées ou seulement certaines d'entre elles. Se reporter à ce manuel ou à la section d'aide des produits de notre site Web à www.kitchenaid.com/owners pour des instructions plus détaillées. Au Canada, consulter la section d'aide relative aux produits au www.kitchenaid.ca/proprietaire.

⚠ AVERTISSEMENT

Risque d'empoisonnement alimentaire

Ne pas laisser des aliments reposer plus d'une heure avant ou après la cuisson.

Le non-respect de cette instruction peut causer un empoisonnement alimentaire ou une maladie.



TOUCHE	CARACTÉRIS- TIQUE	INSTRUCTIONS
Clock/Tools (horloge/outils)	Horloge	<p>Cette horloge peut utiliser un programme de 12 ou 24 heures. Voir la section « Commande électronique du four ».</p> <ol style="list-style-type: none"> Appuyer sur Clock/Tools (horloge/outils) jusqu'à afficher « Clock » (horloge). Appuyer sur les touches numériques pour régler l'heure. Appuyer sur Start (mise en marche) pour changer l'heure. Appuyer sur « 3 » pour AM (heure du matin) ou « 6 » pour PM (heure de l'après-midi).
Clock/Tools (horloge/outils)	Réglages	<p>Permet de personnaliser les signaux sonores et le fonctionnement du four selon les préférences de l'utilisateur. Voir la section « Commande électronique du four ».</p>
Clock/Tools (horloge/outils)	Économie d'énergie	<ol style="list-style-type: none"> Appuyer sur Clock/Tools (horloge/outils) jusqu'à afficher « Energy Save » (économie d'énergie). Le réglage en cours s'affiche. Appuyer sur la touche « 1 » pour changer le réglage. Appuyer sur Cancel (annulation) pour quitter et afficher l'heure. <p>Si le mode Energy Save (économie d'énergie) est activé, l'affichage passe en mode veille après 5 minutes d'inactivité. Appuyer sur n'importe quelle touche pour activer l'affichage. Si le mode d'économie d'énergie est désactivé, l'affichage reste constamment allumé.</p>
Oven Light (Lampe du four)	Lampe de la cavité du four	<p>La lampe du four est commandée à l'aide du tableau de commande du four. Alors que la porte du four est fermée, appuyer sur Oven Light (lampe du four) pour allumer ou éteindre la lampe. La lampe du four s'allume automatiquement à l'ouverture de la porte.</p>

TOUCHE	CARACTÉRIS- TIQUE	INSTRUCTIONS
Timer Set-Off (réglage/arrêt de la minuterie)	Minuterie du four	<p>La minuterie peut être réglée en heures ou en minutes jusqu'à concurrence de 9 heures et 59 minutes.</p> <ol style="list-style-type: none"> 1. Appuyer sur Timer Set-Off (réglage/arrêt de la minuterie). 2. Appuyer sur les touches numériques pour régler la durée en hr-hr-min-min. Les zéros de gauche peuvent ne pas être entrés. Par exemple, pour saisir 2 minutes, appuyer sur « 2 ». 3. Appuyer sur Timer Set-Off (réglage/arrêt de la minuterie) pour commencer le compte à rebours. S'il est activé, un signal sonore retentit à la fin du compte à rebours. 4. Appuyer sur Timer Set-Off (réglage/arrêt de la minuterie) pour annuler la minuterie et revenir à l'heure du jour. Ne pas appuyer sur la touche Cancel (annulation), sinon le four s'éteindra. 5. Si la minuterie est activée, mais n'apparaît pas sur l'affichage, appuyer sur Timer Set-Off (réglage/arrêt de la minuterie) pour faire apparaître le compte à rebours pendant 5 secondes.
Start (mise en marche)	Démarrage de la cuisson	La touche Start (mise en marche) met en marche n'importe quelle fonction du four. Si, après avoir appuyé sur une touche, on n'appuie pas sur Start (mise en marche) dans les 2 minutes qui suivent, la fonction est annulée et l'heure s'affiche.
Cancel (annulation)	Fonction de la cuisinière	La touche Cancel (annulation) désactive toutes les fonctions du four correspondant à l'exception de l'horloge et de la minuterie.
Bake (cuisson au four)	Cuisson au four et rôtissage	<ol style="list-style-type: none"> 1. Appuyer sur Bake (cuisson au four). 2. Utiliser les touches numériques pour régler la température souhaitée. Si la température entrée ne se trouve pas dans la fourchette des températures autorisées, la température minimale ou maximale autorisée s'affiche. Entrer une température dans la fourchette autorisée. 3. Appuyer sur Start (mise en marche). 4. Pour changer la température, répéter les étapes 2 et 3. 5. Appuyer sur Cancel (annulation) après avoir terminé.
Steam Bake (Cuisson au four à la vapeur)	Cuisson au four vapeur	<ol style="list-style-type: none"> 1. Insérer la grille d'étuvage avec le réservoir d'eau dans le four. 2. Verser 1 1/2 tasse (350 mL) d'eau tiède dans le réservoir d'eau. REMARQUE : Ne pas remplir au-delà de la ligne MAX. 3. Appuyer sur Steam Bake (cuisson au four à la vapeur). 4. Utiliser les touches numériques pour sélectionner l'option d'aliment désirée. 5. Utiliser les touches numériques pour régler la température. 6. Appuyer sur Start (mise en marche). 7. (Optionnel) Appuyer sur Cook Time (durée de cuisson). Appuyer sur les touches numériques pour régler la durée de cuisson. 8. Appuyer sur Start (mise en marche). 9. Insérer les aliments lorsque le préchauffage est terminé. 10. Appuyer sur Cancel (annulation) après avoir terminé. REMARQUE : Laisser le four refroidir avant de retirer et vider le réservoir d'eau.
Broil (cuisson au grill)	Cuisson au gril	<ol style="list-style-type: none"> 1. Appuyer sur Broil (cuisson au grill). 2. Utiliser les touches numériques pour régler la température souhaitée. Si la température entrée ne se trouve pas dans la fourchette des températures autorisées, la température minimale ou maximale autorisée s'affiche. Entrer une température dans la fourchette autorisée. 3. Appuyer sur Start (mise en marche) et laisser le four préchauffer pendant 2 minutes. 4. Pour changer la température, répéter les étapes 2 et 3. 5. Placer le plat dans le four et fermer la porte. 6. Appuyer sur Cancel (annulation) après avoir terminé.
Proof (faire lever)	Levée du pain	<ol style="list-style-type: none"> 1. Placer la pâte préparée dans le four. Appuyer sur Proof (levée du pain). 2. Appuyer sur Start (mise en marche). Laisser la pâte lever jusqu'à ce qu'elle ait presque doublé de volume. La durée de levée du pain peut varier en fonction du type de pâte et de la quantité. 3. Appuyer sur Cancel (annulation) lorsque la levée est terminée. Consulter la section « Levée du pain » pour plus d'informations.

TOUCHE	CARACTÉRIS- TIQUE	INSTRUCTIONS
Keep Warm (maintien au chaud)	Maintien au chaud	<p>Les aliments doivent être à la température de service avant d'être placés dans le four chaud.</p> <ol style="list-style-type: none"> 1. Appuyer sur Keep Warm (maintien au chaud). 2. Utiliser les touches numériques pour régler la température souhaitée. Si la température entrée ne se trouve pas dans la fourchette des températures autorisées, la température minimale ou maximale autorisée s'affiche. Entrer une température dans la fourchette autorisée. 3. Appuyer sur Start (mise en marche). 4. Appuyer sur Cancel (annulation) après avoir terminé.
EASY CONVECT BAKE (cuisson au four par convection facile)	Cuisson par convection	<ol style="list-style-type: none"> 1. Appuyer sur EASY CONVECT BAKE (cuisson au four par convection facile). 2. Appuyer sur « 1 » pour que le four convertisse automatiquement la température et la durée pour la cuisson par convection. Appuyer sur « 2 » pour convertir manuellement la température et la durée. 3. Utiliser les touches numériques pour régler la température souhaitée. Si la température entrée ne se trouve pas dans la fourchette des températures autorisées, la température minimale ou maximale autorisée s'affiche. Entrer une température dans la fourchette autorisée. 4. Appuyer sur Start (mise en marche). 5. (Optionnel) Appuyer sur les touches numériques pour régler une durée de cuisson. 6. Appuyer sur Start (mise en marche). 7. Pour changer la température, répéter les étapes 2 et 3. 8. Appuyer sur Cancel (annulation) après avoir terminé.
EASY CONVECT Broil (cuisson au gril par convection facile)	Cuisson par convection	<ol style="list-style-type: none"> 1. Appuyer sur EASY CONVECT Broil (cuisson au gril par convection facile). 2. Appuyer sur « 1 » pour que le four convertisse automatiquement la température et la durée pour la cuisson par convection. Appuyer sur « 2 » pour convertir manuellement la température et la durée. 3. Utiliser les touches numériques pour régler la température souhaitée. Si la température entrée ne se trouve pas dans la fourchette des températures autorisées, la température minimale ou maximale autorisée s'affiche. Entrer une température dans la fourchette autorisée. 4. Appuyer sur Start (mise en marche). 5. (Optionnel) Appuyer sur les touches numériques pour régler une durée de cuisson. 6. Appuyer sur Start (mise en marche). 7. Pour changer la température, répéter les étapes 2 et 3. 8. Appuyer sur Cancel (annulation) après avoir terminé.
EASY CONVECT Roast (rôtissage par convection facile)	Cuisson par convection	<ol style="list-style-type: none"> 1. Appuyer sur EASY CONVECT Roast (rôtissage par convection facile). 2. Appuyer sur « 1 » pour que le four convertisse automatiquement la température et la durée pour la cuisson par convection. Appuyer sur « 2 » pour convertir manuellement la température et la durée. 3. Utiliser les touches numériques pour régler la température souhaitée. Si la température entrée ne se trouve pas dans la fourchette des températures autorisées, la température minimale ou maximale autorisée s'affiche. Entrer une température dans la fourchette autorisée. 4. Appuyer sur Start (mise en marche). 5. (Optionnel) Appuyer sur les touches numériques pour régler une durée de cuisson. 6. Appuyer sur Start (mise en marche). 7. Pour changer la température, répéter les étapes 2 et 3. 8. Appuyer sur Cancel (annulation) après avoir terminé.
Delay Start (mise en marche différée)	Mise en marche différée	<p>La touche Delay Start (mise en marche différée) sert à entrer l'heure de mise en marche pour un four équipé de mise en marche différée. La mise en marche différée ne doit pas être utilisée pour les aliments tels que pains et gâteaux, car ils risquent de ne pas bien cuire.</p> <p>Pour choisir Timed Cook (cuisson minutée) ou Delayed Timed Cook (cuisson minutée différée), voir la section « Durée de cuisson ».</p>
Cook Time (durée de cuisson)	Cuisson minutée	<p>La fonction Timed Cooking (cuisson minutée) permet d'allumer le four à une certaine heure de la journée d'effectuer une cuisson pendant une durée déterminée et/ou d'éteindre le four automatiquement.</p> <p>Pour régler Timed Cook (cuisson minutée) ou Delayed Timed Cook (cuisson minutée différée), voir la section « Durée de cuisson ».</p>

TOUCHE	CARACTÉRIS- TIQUE	INSTRUCTIONS
Aqualift Self Clean (autonettoyage Aqualift)	Programme de nettoyage	Consulter la section « Programme de nettoyage » du manuel d'utilisation.
Start (mise en marche) (Control lock Hold 3 sec [verrouillage des commandes – appuyer pendant 3 s])	Verrouillage des commandes du four	Aucune touche ne fonctionne lorsque les commandes sont verrouillées. Les fonctions de la table de cuisson ne sont pas affectées par le verrouillage des commandes du four. <ol style="list-style-type: none"> 1. Vérifier que le four est éteint. 2. Appuyer pendant 3 secondes sur la touche Start (Control Lock [verrouillage des commandes] hold 3 sec) (mise en marche [appuyer pendant 3 s]). 3. Un signal sonore retentit et l'avertissement « Control Locked » (commandes verrouillées) défile, puis « Locked » (verrouillé) s'affiche. 4. Répéter ces étapes pour déverrouiller. Aucune touche ne fonctionne lorsque les commandes sont verrouillées. Les fonctions de la table de cuisson ne sont pas affectées par le verrouillage des commandes du four.
Air Fry (friture à l'air)	Friture à l'air	<ol style="list-style-type: none"> 1. Placer les aliments directement dans le four. 2. Appuyer sur Air Fry (friture à l'air). 3. Entrer la température de cuisson souhaitée à l'aide des touches numériques. Une tonalité résonnera si la température saisie est trop élevée ou basse. 4. Appuyer sur la touche Start (mise en marche). Il n'y a pas de préchauffage ou de tonalité de préchauffage. 5. Pour changer la température, répéter l'étape 2. Appuyer sur la touche Start (mise en marche). 6. Appuyer sur Cancel (annulation) après avoir terminé. <p>REMARQUE : Le ventilateur de convection et les éléments s'arrêtent lorsque la porte est ouverte et jusqu'à ce que la porte soit refermée. Toutes les minuteries, incluant les minuteries de cuisson ou les fonctions de cuisson minutée, continuent leur compte à rebours.</p>

Technologie d'autonettoyage AquaLift®



La technologie d'autonettoyage AquaLift® est une solution de nettoyage inédite permettant de réduire la durée, la température et les odeurs habituellement dégagées par rapport aux méthodes d'autonettoyage traditionnelles. Avec l'autonettoyage AquaLift®, une pellicule protectrice exclusive est activée par la chaleur et l'eau à l'intérieur du four pour décoller les salissures incrustées. Pour utiliser la technologie d'autonettoyage AquaLift®, il suffit d'essuyer les débris décollés, de verser de l'eau au fond du four et de lancer le programme d'autonettoyage AquaLift®. Une fois le programme terminé, en moins de 1 heure à une température plus basse que les méthodes d'autonettoyage traditionnelles, essuyer simplement l'eau restante et les salissures décollées. Consulter la section « Programme de nettoyage » du Manuel d'utilisation pour obtenir des instructions plus détaillées. Pour plus d'informations, des réponses aux questions fréquentes et des vidéos consacrées à la technologie d'autonettoyage AquaLift®, visiter notre site Web au <http://whirlpoolcorp.com/aqualift>.

Températures en surface

Lorsque la cuisinière est en marche, toutes ses surfaces peuvent chauffer, y compris les boutons de commande et la porte du four.

Tiroir de remisage

Lorsque le four est en marche, le tiroir peut chauffer. Ne pas placer d'objets en plastique, en tissu ou susceptibles de fondre ou de brûler dans le tiroir.

Évent du four

L'évent du four permet l'évacuation de l'air chaud et de l'humidité du four. Il ne doit pas être obstrué ou couvert. Ne pas placer près de l'évent du four des objets en plastique, en papier ou susceptibles de fondre ou de brûler.

Commandes électroniques du four

Affichage des commandes

L'affichage clignote à la mise sous tension ou après une coupure de courant. Appuyer sur Cancel (annulation) pour effacer. Lorsque le four n'est pas utilisé, l'heure s'affiche. Si la cuisinière est en mode Energy Save (économie d'énergie), l'écran est inactif lorsque le four n'est pas utilisé.

Signaux sonores

Les signaux sonores avertissent l'utilisateur de divers événements :

Un seul signal sonore

- Appui sur une touche valide.
- Préchauffage du four terminé (signal sonore long).
- Saisie d'une fonction.
- Rappel, se répétant toutes les minutes après la tonalité de fin du programme.

Trois signaux sonores

- Appui sur une touche non valide.

Quatre signaux sonores

- Fin de programme.

Appuyer sur la touche Clock/Tools (horloge/outils) pour modifier les réglages des signaux sonores.

Économie d'énergie

Le mode Energy Save (économie d'énergie) place la cuisinière en mode de veille pour réduire la consommation d'énergie.

Pour activer le mode économie d'énergie :

1. Appuyer sur Clock/Tools (horloge/outils) jusqu'à afficher « ENERGY SAVE » (économie d'énergie).
2. Le réglage en cours s'affiche.
3. Appuyer sur la touche « 1 » pour changer le réglage.
4. Appuyer sur Cancel (annulation) pour quitter et afficher l'heure.
5. Le réglage sera activé après 5 minutes.

Pour désactiver le mode économie d'énergie

1. Appuyer sur Clock/Tools (horloge/outils) jusqu'à afficher « ENERGY SAVE » (économie d'énergie).
2. Le réglage en cours s'affiche.
3. Appuyer sur la touche « 1 » pour changer le réglage.
4. Appuyer sur Cancel (annulation) pour quitter et afficher l'heure.
5. L'horloge réapparaît dans l'affichage; on peut alors faire fonctionner la cuisinière comme d'habitude.

Réglages

De nombreuses fonctions du four peuvent être réglées pour répondre à vos besoins. On effectue ces changements à l'aide de la touche Clock/Tools (horloge/outils).

Appuyer sur la touche Clock/Tools (horloge/outils) pour faire défiler les fonctions modifiables. L'affichage passe au réglage suivant à chaque pression supplémentaire sur Clock/Tools (horloge/outils). Après avoir sélectionné la fonction à modifier, le tableau de commande demande à l'utilisateur d'effectuer la manœuvre nécessaire. Appuyer sur Start (mise en marche) ou Cancel (annulation) pour quitter et afficher l'heure. Les sections suivantes détaillent toutes les fonctions modifiables.

Appuyer sur Cancel (annulation) pour quitter le mode Settings (réglages).

Horloge

Cette horloge est réglable sur 12 ou 24 heures.

1. Appuyer sur Clock/Tools (horloge/outils) jusqu'à afficher « CLOCK » (horloge).
2. Appuyer sur les touches numériques pour régler l'heure.
3. Appuyer sur Start (mise en marche) pour changer l'heure.
4. Appuyer sur « 3 » pour AM (heure du matin) ou « 6 » pour PM (heure de l'après-midi).

Fahrenheit et Celsius

La température est pré-réglée pour un affichage en degrés Fahrenheit, mais on peut l'afficher en degrés Celsius.

1. Appuyer sur Clock/Tools (horloge/outils) jusqu'à afficher « TEMP UNIT » (unité de température).
2. Le réglage en cours s'affiche.
3. Appuyer sur la touche « 1 » pour changer le réglage.
4. Appuyer sur Start (mise en marche) ou Cancel (annulation) pour quitter et afficher l'heure.

Désactivation des signaux sonores

Désactive tous les signaux sonores, y compris le signal sonore de fin de programme et les signaux sonores d'appui sur un bouton. Les signaux sonores de rappel restent actifs lorsque tous les sons sont désactivés.

1. Appuyer sur Clock/Tools (horloge/outils) jusqu'à afficher « SOUND » (son).
2. Le réglage en cours s'affiche.
3. Appuyer sur la touche « 1 » pour changer le réglage.
4. Appuyer sur Start (mise en marche) ou Cancel (annulation) pour quitter et afficher l'heure.

Volume sonore

Règle le volume des signaux sonores à bas ou élevé.

1. Appuyer sur Clock/Tools (horloge/outils) jusqu'à afficher « SOUND VOLUME » (volume sonore).
2. Le réglage en cours s'affiche.
3. Appuyer sur la touche « 1 » pour changer le réglage.
4. Appuyer sur Start (mise en marche) ou Cancel (annulation) pour quitter et afficher l'heure.

Signal sonore de fin de programme

Active ou désactive les signaux sonores émis à la fin d'un programme.

1. Appuyer sur Clock/Tools (horloge/outils) jusqu'à afficher « END TONE » (signal sonore de fin).
2. Le réglage en cours s'affiche.
3. Appuyer sur la touche « 1 » pour changer le réglage.
4. Appuyer sur Start (mise en marche) ou Cancel (annulation) pour quitter et afficher l'heure.

Désactivation des signaux sonores de rappel

Désactive le signal sonore bref qui retentit chaque minute après le signal sonore de fin de programme.

1. Appuyer sur Clock/Tools (horloge/outils) jusqu'à afficher « REMINDER TONE » (signal sonore de rappel).
2. Le réglage en cours s'affiche.
3. Appuyer sur la touche « 1 » pour changer le réglage.
4. Appuyer sur Start (mise en marche) ou Cancel (annulation) pour quitter et afficher l'heure.

Sons des touches

Active ou désactive les signaux sonores lorsqu'on appuie sur une touche.

1. Appuyer sur Clock/Tools (horloge/outils) jusqu'à afficher « KEYPRESS TONE » (sons des touches).
2. Le réglage en cours s'affiche.
3. Appuyer sur la touche « 1 » pour changer le réglage.
4. Appuyer sur Start (mise en marche) ou Cancel (annulation) pour quitter et afficher l'heure.

Mode de démonstration

IMPORTANT : Destinée au personnel en magasin, cette fonction permet, avec un raccordement au secteur 120 V, de présenter les fonctions des commandes sans pour autant activer les éléments chauffants. Si cette fonction est activée, le four ne fonctionnera pas.

1. Appuyer sur Clock/Tools (horloge/outils) jusqu'à afficher « DEMO MODE » (mode démonstration).
2. Le réglage en cours s'affiche.
3. Appuyer sur la touche « 1 » pour changer le réglage.
4. Appuyer sur Start (mise en marche) ou Cancel (annulation) pour quitter et afficher l'heure.

Arrêt au bout de 12 heures

Le four est configuré pour s'éteindre automatiquement 12 heures après avoir activé une fonction de cuisson ou de nettoyage. Cette fonction ne perturbe aucune fonction de cuisson minutée ou différée.

1. Appuyer sur Clock/Tools (horloge/outils) jusqu'à afficher « 12Hr AUTO_OFF » (arrêt automatique après 12 heures).
2. Le réglage en cours s'affiche.
3. Appuyer sur la touche « 1 » pour changer le réglage.
4. Appuyer sur Start (mise en marche) ou Cancel (annulation) pour quitter et afficher l'heure.

Horloge 12/24 heures

1. Appuyer sur Clock/Tools (horloge/outils) jusqu'à afficher « 12/24 HOUR » (horloge sur 12/24 heures).
2. Le réglage en cours s'affiche.
3. Appuyer sur la touche « 1 » pour changer le réglage.
4. Appuyer sur Start (mise en marche) ou Cancel (annulation) pour quitter et afficher l'heure.

Mode Sabbath (Sabbat)

Le mode Sabbath (Sabbat) permet au four de rester sur un réglage Bake (cuisson au four) jusqu'à ce qu'on l'éteigne.

Lorsque le mode Sabbath (Sabbat) est réglé, seul le programme de cuisson au four fonctionne. Tous les autres programmes de cuisson et de nettoyage sont désactivés. Aucun signal sonore ne retentit et les affichages n'indiquent pas les changements de température.

Lorsque la porte du four est ouverte ou fermée la lampe du four ne s'allume ou ne s'éteint pas et les éléments de chauffage ne s'allument ou ne s'éteignent pas immédiatement.

Activation du mode Sabbath (Sabbat) (une seule fois) :

1. Appuyer sur Clock/Tools (horloge/outils) jusqu'à afficher « SABBATH » (Sabbat).
2. Le réglage en cours s'affiche.
3. Appuyer sur la touche « 1 » pour changer le réglage.
4. Appuyer sur Start (mise en marche) ou Cancel (annulation) pour quitter et afficher l'heure.

Langue du texte inscrit sur l'affichage

Les options de langue sont l'anglais, l'espagnol et le français.

1. Appuyer sur Clock/Tools (horloge/outils) jusqu'à afficher « LANGUAGE » (langues).
2. Le réglage en cours s'affiche.
3. Appuyer sur les touches « 1 » ou « 2 » pour sélectionner la langue souhaitée.
4. Appuyer sur Start (mise en marche) ou Cancel (annulation) pour quitter et afficher l'heure.

Commande de décalage de température du four

IMPORTANT : Ne pas utiliser de thermomètre pour mesurer la température du four. Les éléments chauffants s'allument et s'éteignent en alternance pour maintenir une température constante, mais leur température peut varier légèrement dans un sens ou dans l'autre du fait de cette alternance. De nombreux thermomètres réagissent lentement à un changement de température, et ne donneront pas une mesure exacte du fait de cette alternance.

Le four fournit des températures précises; toutefois, il peut cuire plus rapidement ou plus lentement que votre ancien four, c'est pourquoi la température peut être ajustée à vos besoins de cuisson. Elle peut être modifiée en degrés Fahrenheit ou Celsius.

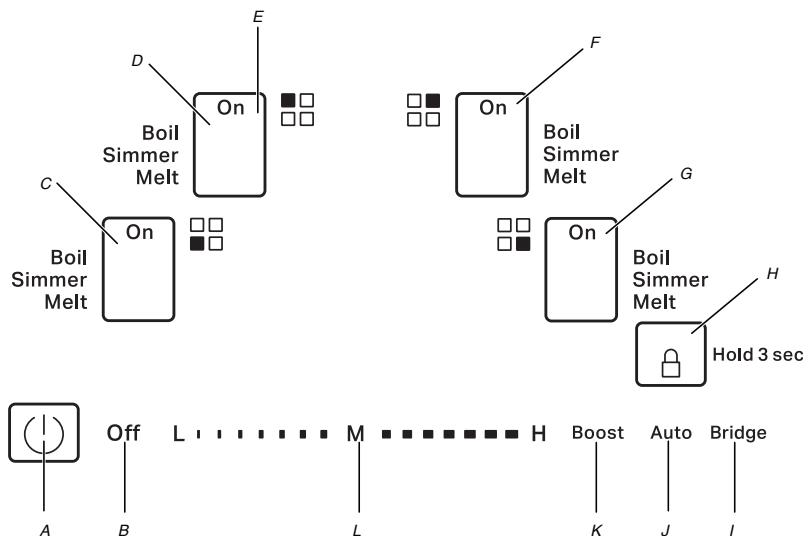
Réglage de la température du four :

1. Appuyer sur Clock/Tools (horloge/outils) jusqu'à afficher « TEMP CALIB » (calibration de température).
2. Sur certains modèles, appuyer sur 1 pour régler la température du tiroir-réchaud. Appuyer sur Start (mise en marche), attendre 10 secondes que l'affichage change, puis passer à l'étape 3.

OU

- Appuyer sur Start (mise en marche) pour effectuer le réglage de la température du four. Attendre 10 secondes que l'affichage change, puis passer à l'étape 3.
3. Appuyer sur la touche « 3 » pour augmenter la température par paliers de 5 °F (3 °C) ou sur la touche « 6 » pour diminuer la température par paliers de 5 °F (3 °C). L'intervalle de réglage se situe entre -30 °F et +30 °F (-18 °C et +18 °C).
 4. Appuyer sur Start (mise en marche) ou Cancel (annulation) pour quitter et afficher l'heure.

Utilisation de la table de cuisson



- | | | |
|--|--|---------------------------------|
| A. Alimentation de la table de cuisson | F. Affichage de la surface de cuisson arrière droite | K. Boost (optimisation) |
| B. Mise hors tension de la surface de cuisson | G. Affichage de la surface de cuisson avant droite | L. Curseur du niveau de chaleur |
| C. Affichage de la surface de cuisson avant gauche | H. Verrouillage des commandes | |
| D. Affichage de la surface de cuisson arrière gauche | I. Bridge (liaison) | |
| E. Affichage du niveau de chaleur | J. Auto (automatique) | |

Cuisson par induction

La cuisson par induction est très différente des formes de cuisson traditionnelles. La chaleur est générée directement dans le plat de cuisson; la surface de cuisson demeure plus froide qu'un élément traditionnel.

La cuisson par induction cause moins de perte de chaleur que les formes de cuisson traditionnelles puisque la chaleur est générée dans le plat lui-même.

La table de cuisson chauffe ou se refroidit rapidement après le réglage des commandes. Elle cesse également de chauffer lorsqu'on retire le plat sans avoir à éteindre l'appareil.

Les aliments renversés sur la surface de la table de cuisson ne brûlent pas, car le verre n'est pas chauffé. La cuisson par induction permet un nettoyage immédiat après utilisation, car la chaleur est générée dans le plat.

La taille, le matériau (voir la section « Plats de cuisson ») et le positionnement du plat sont très importants pour atteindre une puissance maximale.

Le diamètre de la base du plat doit être identique à la taille de l'élément.

Si le plat est trop petit, le brûleur ne le détecte pas et reste éteint.

Commandes de la table de cuisson

⚠ AVERTISSEMENT

Risque d'incendie

Fermer tous les réglages lorsque la cuisson est terminée.

Le non-respect de cette instruction peut causer un décès ou une décharge électrique.

Les commandes électroniques tactiles offrent une grande variété de réglages de chaleur pour des résultats de cuisson optimaux.

REMARQUE : Si une installation à 240 V n'est pas disponible, la table de cuisson s'ajuste automatiquement pour une alimentation en 208 V.

Utilisation

Pour allumer la table de cuisson :

1. Appuyer sur la touche d'alimentation .


Le témoin situé au-dessus du clavier d'alimentation de la table de cuisson et un point (« . ») sur la surface de cuisson clignotent pour indiquer que la table de cuisson est allumée.

La table de cuisson sera automatiquement mise hors tension si elle reste inactive pendant 20 secondes après l'avoir mise sous tension.

Désactivation d'une surface de cuisson :

REMARQUE : Les ustensiles de cuisson doivent être détectés sur la zone de cuisson pour que celle-ci s'allume. L'écran de cette zone de cuisson affiche zéro une fois qu'une casserole est détectée. Si un ustensile de cuisson se trouve sur une zone de cuisson et que la zone de cuisson n'est pas allumée, l'utilisateur peut entendre un cliquetis lorsque le brûleur continue à détecter un ustensile de cuisson.

2. Toucher directement la zone d'affichage correspondant à la surface de cuisson souhaitée. Voir C, D, F et G dans l'illustration précédente.
3. Sélectionner un niveau de chaleur « L » (bas) à « H » (élevé) du curseur de puissance en touchant/faisant glisser le curseur de puissance. Le réglage de chaleur apparaît sur l'affichage de la surface de cuisson.

REMARQUE : Si l'ustensile de cuisson est retiré de la zone de cuisson pendant la cuisson, la zone de cuisson s'éteint et l'indicateur  s'affiche sur la zone d'affichage correspondante. Si l'ustensile de cuisson n'est pas replacé sur la zone de cuisson dans les 30 secondes, la zone de cuisson s'éteint automatiquement.

Le curseur d'alimentation présente 9 positions, ainsi qu'une position « Boost » (optimisation). Lorsque l'utilisateur fait glisser le curseur sur « L » (bas), « 0 » s'affiche. La surface de cuisson ne s'allume pas, mais reste active/sélectionnée.

Utiliser le tableau suivant comme guide lors du réglage des niveaux de chaleur.

Réglage	Utilisation recommandée
9 à Boost (optimisation)	■ Porter un liquide à ébullition.
9	■ Commencer la cuisson des aliments.
7 à 8	■ Brunir ou saisir rapidement les aliments.
6 à 7	■ Maintenir une ébullition rapide.
5 à 6	■ Faire frire la volaille ou la viande. ■ Faire cuire les soupes et les sauces.
4 à 5	■ Maintenir une ébullition lente. ■ Faire mijoter ou étuver les aliments.
3 à 5	■ Faire mijoter à feu doux.
1 à 2	■ Garder au chaud les aliments cuits. ■ Faire fondre du chocolat ou du beurre.
Simmer (mijoter)	■ Maintenir une ébullition lente.

Mode Auto (automatique)

Utilisation :

Activation :

1. Vérifier qu'une surface de cuisson a été sélectionnée.
2. Toucher le bouton Auto (automatique) pour sélectionner entre les fonctions Melt (faire fondre), Simmer (mijoter) et Boil (faire bouillir). Le symbole « - » situé à côté de la fonction sélectionnée s'allume.

Lorsqu'on fait fondre des aliments comme du chocolat ou du beurre, la surface de cuisson peut être réglée à la fonction Melt (faire fondre) pour une utilisation à la puissance minimum. De même, les fonctions de mijotage et pour faire bouillir peuvent être utilisées selon les besoins.

Désactivation :

Toucher la touche Off (arrêt) de la surface de cuisson.

Mode Boost (optimisation)

Pour une utilisation à la puissance maximale, toutes les commandes tactiles de la table de cuisson peuvent être réglées à la fonction Performance Boost (optimisation de rendement) pour porter un liquide à ébullition rapidement. Sélectionner la surface de cuisson souhaitée, puis appuyer sur « Boost » (optimisation) de la barre de réglage du niveau de chaleur pour atteindre immédiatement le réglage le plus élevé.

REMARQUE : Ce mode peut être utilisé simultanément sur une zone de cuisson gauche et une zone de cuisson droite ou peut être utilisé sur n'importe quelle zone de cuisson. Les zones de cuisson peuvent fonctionner dans ce mode pendant 10 minutes au maximum.

Indicateur de surface chaude

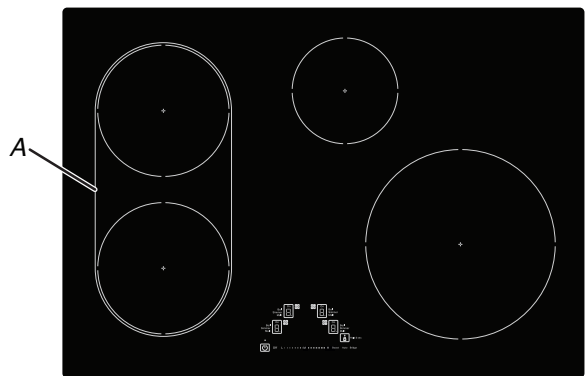
Un « H » apparaît sur l'afficheur du réglage de chaleur correspondant à une surface de cuisson trop chaude pour être touchée, même une fois que cette surface a été éteinte.

Bridge (liaison)

La fonction Bridge (liaison) permet d'utiliser 2 zones de cuisson comme une seule zone de cuisson de très grande taille. Utiliser la zone de liaison pour obtenir le chauffage d'une zone de forme allongée ou ovale pour une cuisson avec un ustensile de cuisson de grande taille ou ovale.

Activer la fonction de liaison :

1. Placer un ustensile de cuisson de grande taille ou de forme ovale sur la zone de liaison.



A. Zone de liaison

2. Appuyer sur POWER (alimentation). La table de cuisson s'allume.
3. Toucher la touche Bridge (liaison).
Les niveaux de réglage de chaleur pour les 2 surfaces de cuisson de gauche passent à « 0 » par défaut et peuvent être réglées d'un minimum de « 1 » à un maximum de « 9 ».
4. Glisser un doigt sur le curseur de niveau de chaleur pour augmenter ou diminuer le niveau de chaleur.

Le niveau de chaleur sélectionné apparaît sur l'affichage de niveau de chaleur correspondant à toutes les surfaces de cuisson qui utilisent la fonction de liaison.

Désactiver la fonction de liaison :

1. Toucher la touche Bridge (liaison).

Les surfaces de cuisson se remettent à fonctionner indépendamment l'une de l'autre.

REMARQUE : On ne peut pas utiliser la fonction Performance Boost (optimisation du rendement) sur les éléments pour lesquels la fonction de liaison a été activée.

Verrouillage des commandes Modèle 3 ans

Appuyer sur la touche CONTROL LOCK (verrouillage des commandes) pendant 3 secondes pour verrouiller les commandes de la table de cuisson.

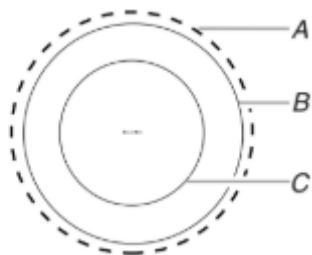
Appuyer sur la touche Control lock (verrouillage des commandes) pendant 3 secondes pour déverrouiller les commandes de la table de cuisson.

Vitrocéramique

Nettoyer la table de cuisson après chaque utilisation afin d'éviter les égratignures, les piqûres et l'abrasion et pour entretenir la surface de verre. Un nettoyeur pour table de cuisson en vitrocéramique et un grattoir de table de cuisson sont aussi recommandés pour les saletés tenaces. Ne pas utiliser de produits de nettoyage abrasifs, de tampons de nettoyage ou de produits chimiques agressifs. La trousse d'entretien de la table de cuisson (numéro de pièce 31605) contient tous les articles nécessaires pour nettoyer et entretenir votre table de cuisson en vitrocéramique. Consulter la section « Entretien et réparation de la cuisinière » du manuel d'utilisation pour obtenir plus d'informations.

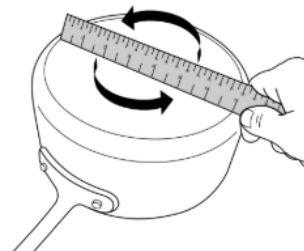
IMPORTANT : Pour éviter d'endommager la surface de la table de cuisson et faciliter l'élimination des saletés, nettoyer la table de cuisson après chaque utilisation pour enlever toutes les saletés.

- Ne pas ranger de bocaux ou de boîtes de conserve au-dessus de la table de cuisson. La chute d'un objet lourd ou dur sur la table de cuisson pourrait la fêler.
- Afin d'éviter d'endommager la table de cuisson, ne pas laisser un couvercle chaud sur la table de cuisson. Lorsque la table de cuisson refroidit, de l'air peut se trouver piégé entre le couvercle et la table de cuisson, et la vitrocéramique pourrait se casser lorsqu'on enlève le couvercle.
- Nettoyer dès que possible tous les renversements et toutes les salissures des aliments contenant du sucre sous n'importe quelle forme. Laisser la table de cuisson refroidir légèrement. Ensuite, tout en portant des mitaines de four, nettoyer tandis que la surface est encore tiède. Si on laisse le sucre refroidir sur la table de cuisson, il se peut que celui-ci adhère à la surface et laisse un creux et des marques permanentes.
- Afin d'éviter toute égratignure, ne pas faire glisser d'ustensile de cuisson sur la table de cuisson.
- Afin d'éviter d'endommager la table de cuisson, ne pas laisser d'objets qui pourraient fondre, comme du plastique ou du papier d'aluminium, toucher une partie quelconque de la table de cuisson.
- Afin d'éviter d'endommager la table de cuisson, ne pas l'utiliser en guise de planche à découper.
- Utiliser des ustensiles de cuisson de la même taille environ que la surface de cuisson. L'ustensile de cuisson ne doit pas dépasser de plus de 1/2 po (1,3 cm) hors de la zone de cuisson. La taille minimale du plat est également indiquée sur la table de cuisson par le cercle le plus au centre de l'élément (le cas échéant).



- A. Dépassement maximum de 1/2 po (1,3 cm)
- B. Bord extérieur de la table de cuisson
- C. Taille minimale du plat (le cas échéant)

- Utiliser des ustensiles de cuisson à fond plat pour une meilleure conduction de la chaleur et une meilleure utilisation de l'énergie. Les ustensiles de cuisson à fond arrondi, déformé, cannelé ou bosselé pourraient causer un chauffage inégal et de mauvais résultats de cuisson.
- Contrôler la planéité du récipient en plaçant une règle plate en travers du fond du récipient. Lorsque l'on fait tourner la règle, aucun espace ou jour ne doit être visible entre celle-ci et le récipient.



- Pour déterminer l'ustensile et l'élément à induction à utiliser, mesurer le fond de la zone plate de l'ustensile de cuisson. Ne pas inclure les côtés dans la mesure si ceux-ci sont recourbés. Utiliser cette mesure pour déterminer quel élément à induction conviendra le mieux à l'ustensile de cuisson utilisé. Les mesures du fabricant indiquées sur les ustensiles de cuisson correspondent généralement aux dimensions de la partie supérieure de l'ustensile. Il est possible que la partie inférieure soit plus petite.
- S'assurer que les fonds des casseroles et poêles sont propres et secs avant de les utiliser. Les résidus et l'eau peuvent laisser des dépôts quand ils sont chauffés.

Mise en conserve à la maison

La mise en conserve peut se faire sur la table de cuisson à induction. Consulter la section « Ustensiles de cuisson » pour savoir si l'autoclave peut être utilisé sur la table de cuisson. Lors de la préparation de conserves pendant de longues périodes, alterner l'utilisation des surfaces de cuisson ou des éléments entre les quantités préparées. Ceci permet aux dernières surfaces utilisées de refroidir.

- Centrer l'autoclave sur la plus grande surface de cuisson ou sur le plus grand élément. L'autoclave ne doit pas dépasser de plus de 1/2 po (1,3 cm) hors de la surface de cuisson ou l'élément de cuisson.
- Ne pas placer l'autoclave sur deux surfaces de cuisson ou deux éléments à la fois.
- Sur les modèles en vitrocéramique, utiliser seulement des boîtes de conserve à fond plat pour éviter d'endommager la table de cuisson et les éléments.
- Pour plus de renseignements, contacter votre bureau de développement agricole local, ou consulter les guides publiés sur la mise en conserve domestique. Les compagnies qui fabriquent des produits pour la préparation de conserves peuvent aussi offrir de l'aide.

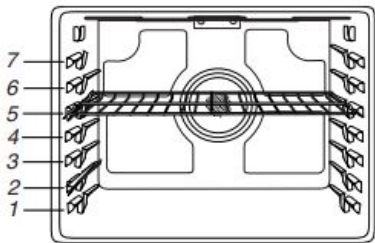
UTILISATION DU FOUR

Des odeurs et de la fumée sont normales lorsque le four est utilisé les premières fois et lorsqu'il est très sale.

IMPORTANT : Les émanations de fumée peuvent mettre en danger la santé de certains oiseaux qui y sont extrêmement sensibles. L'exposition aux émanations peut entraîner la mort de certains oiseaux. Toujours déplacer les oiseaux dans une autre pièce fermée et bien aérée.

POSITIONNEMENT DES GRILLES ET DES USTENSILES DE CUISSON AU FOUR

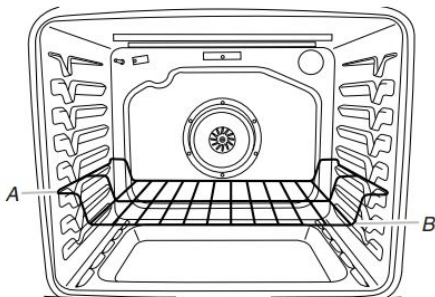
Pour positionner une grille, la tirer jusqu'à la butée, soulever l'avant puis la retirer. Se servir de l'illustration et du tableau suivants comme guide.



Le four présente 7 positions possibles pour une grille plate, comme indiqué dans l'illustration précédente et le tableau suivant.

Position de la grille plate	Type d'aliment
7	Cuire au grill/griller les viandes, les hamburgers, les steaks
6	Viandes grillées, volaille, poisson
4	Panier à friture à l'air
3	La plupart des produits de boulangerie, mets en sauce
2	Viandes rôties
1	Gros rôtis/volailles

IMPORTANT : Si votre modèle possède une grille à capacité maximale, les bords surélevés doivent être placés dans la position immédiatement supérieure à la position souhaitée pour les aliments. Voir l'illustration suivante.



A. Extrémités de la grille en position 3
B. Aliments en position 2

IMPORTANT : Ces positions de grille sont pour les grilles plates. En cas d'utilisation d'une grille de four à capacité maximale, la position de la grille doit être ajustée en conséquence comme dans l'illustration précédente.

Cuisson sur plusieurs grilles

Cuisson sur 2 grilles (sans convection) : Utiliser les positions de grille 2 et 5 ou 3 et 6.

Cuisson sur 2 grilles (avec convection) : Utiliser les positions de grille 2 et 5 ou 3 et 6.

Cuisson sur 3 grilles (avec convection) : Utiliser les positions de grille 2 et 7 et une grille de four à capacité maximale en position 5.

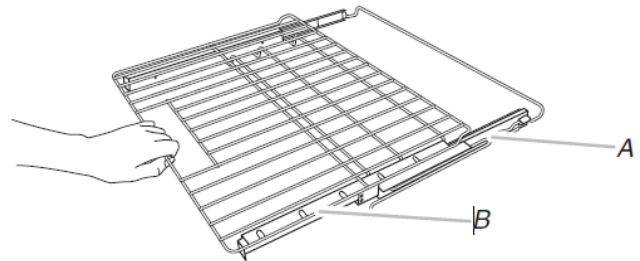
Ustensiles de cuisson

L'air chaud doit pouvoir circuler autour de l'aliment pour le cuire uniformément. Laisser 2 po (5 cm) entre les ustensiles de cuisson et les parois du four. S'assurer qu'aucun ustensile de cuisson ne se trouve directement au-dessus d'un autre.

Grille déployante

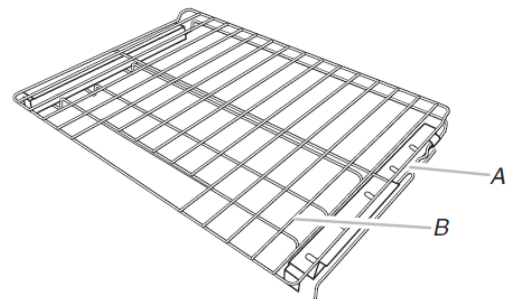
Cette grille déployante offre un accès facile à l'utilisateur pour le positionnement et le retrait des aliments. Il n'est pas conseillé d'utiliser la grille déployante à la position supérieure (position 7) ou à la position inférieure (position 1).

Position déployée



A. Cadre de la grille
B. Grille coulissante

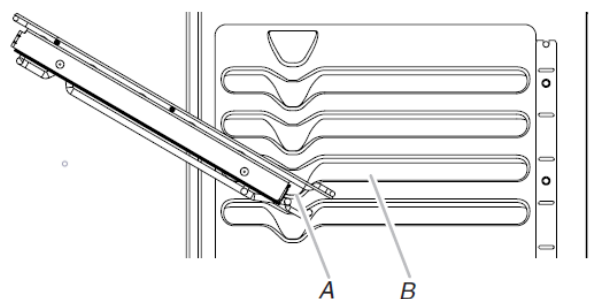
Position rétractée et emboîtée



A. Cadre de la grille
B. Grille coulissante

Insertion de la grille déployante

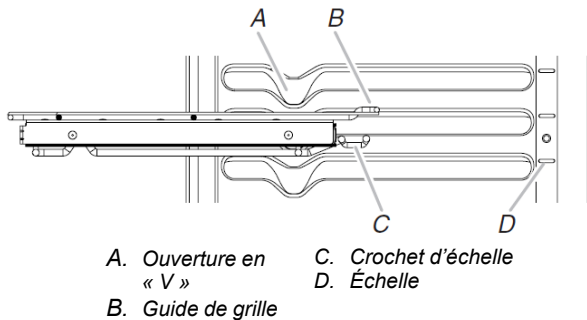
1. Incliner la grille vers le haut, puis l'insérer dans le cadre de la grille dans l'encoche en « V » des glissières de grille situées dans la cavité du four.



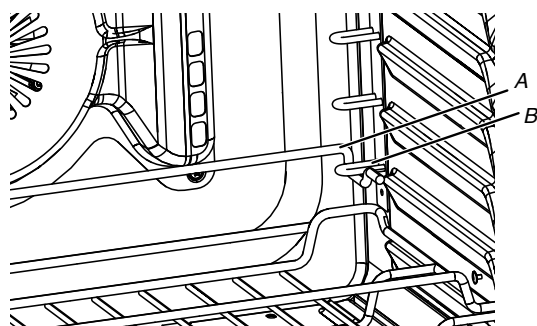
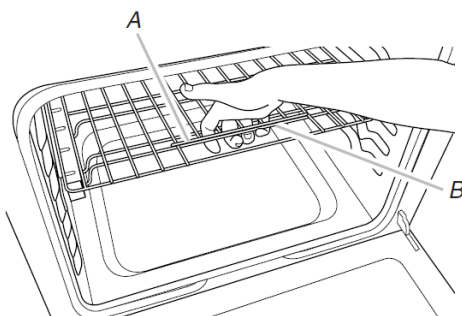
A. Ouverture en « V »
B. Guide de grille

2. Garder la grille inclinée vers le haut, puis l'enfoncer au-delà de l'encoche inférieure en « V ».

3. Abaisser l'avant de la grille, puis l'introduire avec précaution dans le four en la faisant glisser au-delà des encoches en « V ». Pousser la grille dans le four jusqu'à ce qu'elle s'arrête sur l'échelle située à l'arrière de la cavité.



4. Passer la main sur la grille pour agripper la grille coulissante et la barre transversale avant. Soulever l'avant de la grille, puis pousser la grille vers l'arrière du four. Abaisser l'avant de la grille pour que le crochet de l'échelle s'engage dans l'échelle de chaque côté du four.



Retrait de la grille déployante

1. Enfoncer la grille déployante complètement jusqu'à ce qu'elle soit rétractée et emboîtée sur les glissières.
2. Passer la main sur la grille pour agripper la grille coulissante et la barre transversale avant. Soulever l'avant de la grille pour dégager le crochet de l'échelle située au fond du four, puis tirer la grille vers l'avant.
3. Avec les deux mains, retirer simultanément la grille coulissante et son pourtour avec précaution pour les extraire de l'encoche en « V ». Incliner la grille de façon à ce que l'avant soit plus haut que l'arrière et la retirer avec précaution pour l'extraire de l'encoche en « V », puis du four.

Afin d'éviter d'endommager les supports coulissants, ne pas placer plus de 25 lb (11,4 kg) sur la grille.

Ne pas nettoyer la grille déployante au lave-vaisselle. Ceci pourrait enlever le lubrifiant de la grille et nuire à ses facultés de glissement.

Consulter la section « Nettoyage général » du Manuel d'utilisation pour obtenir plus d'instructions.

Mode Sabbath (Sabbat)

Le mode Sabbath (Sabbat) permet au four de rester sur un réglage de cuisson au four jusqu'à ce qu'on l'éteigne.

Lorsque le mode Sabbath (Sabbat) est réglé, seul le programme Bake (cuisson au four) fonctionne. Tous les autres programmes de cuisson et de nettoyage sont désactivés. Aucun signal sonore ne retentit et les affichages n'indiquent pas les changements de température.

Lorsque la porte du four est ouverte ou fermée, la lampe du four ne s'allume ou ne s'éteint pas et les éléments de chauffage ne s'allument ou ne s'éteignent pas immédiatement.

Activation du mode Sabbath (Sabbat) (une seule fois) :

1. Appuyer sur Clock/Tools (horloge/outils) jusqu'à afficher « SABBATH » (Sabbat). « OFF. Press (1) for On » (Inactif, appuyer sur [1] pour activer) défile sur l'affichage.
2. Appuyer sur la touche « 1 ». « ON. Press (1) for Off » (actif, appuyer sur [1] pour désactiver) défile sur l'affichage. Le mode Sabbath (Sabbat) peut être utilisé pour la cuisson au four.
3. Appuyer sur Start (mise en marche) ou Cancel (annulation) pour quitter et afficher l'heure.

REMARQUE : Pour désactiver le Sabbath Mode (mode Sabbath), répéter les étapes 1 à 3 pour changer l'état de « SABBATH ON » (mode Sabbath activé) à « SABBATH OFF » (mode Sabbath désactivé).

Activation du mode Sabbath (Sabbat) :

1. Appuyer sur la touche Bake (cuisson au four) du four souhaité.
2. Appuyer sur les touches numériques pour entrer une température autre que 350 °F (177 °C).
3. Appuyer sur Start (mise en marche).
 Pour une cuisson minutée au mode Sabbath, appuyer sur Cook Time (durée de cuisson), puis sur les touches numériques pour régler la durée de cuisson désirée.
4. Appuyer sur Clock/Tools (horloge/outils). Trois signaux sonores retentissent. Appuyer ensuite sur « 7 ». « SAB » apparaît sur l'affichage.

Réglage de la température (lorsque le mode Sabbath [Sabbat] fonctionne) :

1. Appuyer sur les touches numériques comme indiqué par le texte déroulant afin de sélectionner la nouvelle température.

REMARQUE : Le changement de température n'apparaît pas sur l'affichage. Le texte déroulant s'affiche tel qu'il était avant que l'on n'appuie sur la touche.

2. Appuyer sur Start (mise en marche).

Désactivation du mode Sabbath (Sabbat) :

Appuyer sur Clock/Tools (horloge/outils), puis sur « 7 » pour revenir à la cuisson au four traditionnelle ou appuyer sur Cancel (annulation) du four souhaité pour éteindre le four.

REMARQUE : Aucun signal sonore ne retentira lors de la désactivation du mode Sabbath (Sabbat).

Cuisson au four et rôtissage

Préchauffage

Au début d'un programme Bake (cuisson au four), Convection Bake (cuisson au four par convection) ou de Convection Roast (rôtissage par convection), le four commence par un préchauffage une fois la touche Start (mise en marche) enfoncée. Le four atteint 350 °F (177 °C) en 12 à 15 minutes environ lorsque toutes les grilles fournies avec le four sont à l'intérieur de la cavité du four. Pour atteindre une température plus élevée, le préchauffage est plus long. Le programme de préchauffage augmente rapidement la température du four. La température réelle du four dépasse alors la température programmée, pour compenser la chaleur perdue à l'ouverture du four pour y introduire le plat à cuire. Ainsi, le four entame la cuisson à la température correcte après y avoir placé le plat. Placer les aliments au four lorsque le signal sonore de préchauffage retentit. Ne pas ouvrir la porte du four pendant le préchauffage tant que le signal sonore n'a pas retenti.

Température du four

En cours d'utilisation, les éléments chauffants du four s'allument et s'éteignent en alternance pour maintenir une température constante, mais leur température peut varier légèrement dans un sens ou dans l'autre du fait de cette alternance. L'ouverture de la porte du four en cours d'utilisation laisse échapper l'air chaud et refroidit le four, ce qui peut modifier la durée nécessaire et le résultat de la cuisson. Pour suivre l'avancement de la cuisson, il est conseillé d'utiliser l'éclairage du four.

REMARQUE : Sur les modèles équipés d'une fonction de convection, le ventilateur de convection peut tourner dans le mode de cuisson sans convection pour améliorer la performance du four.

Système de gestion de la température

Le système de gestion de la température contrôle électroniquement les niveaux de température du four durant le préchauffage et la cuisson afin de maintenir une gamme précise de températures pour des résultats de cuisson optimaux. Les éléments de cuisson au four et au gril ou les brûleurs s'allument et s'éteignent en alternance. Pour les cuisinières à convection, le ventilateur fonctionne pendant le préchauffage et peut s'allumer et s'éteindre pendant de courts intervalles dans le mode Bake (cuisson au four) afin de produire un meilleur résultat. Cette caractéristique est automatique lorsque le four est utilisé.

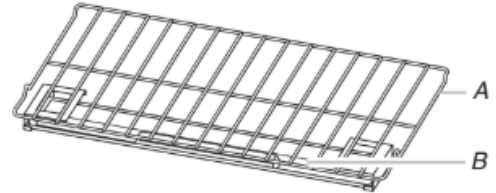
Avant la cuisson au four et le rôtissage, placer les grilles comme indiqué à la section « Positionnement des grilles et des ustensiles de cuisson au four ». Lors du rôtissage, il n'est pas nécessaire d'attendre la fin du programme de préchauffage du four avant de placer les aliments, sauf si la recette le recommande.

Steam Bake (cuisson au four à la vapeur)

La fonction de cuisson au four vapeur s'utilise avec la grille d'étuvage pour apporter davantage d'humidité durant la cuisson au four. La grille d'étuvage est équipée d'un réservoir d'eau qui chauffe et libère de la vapeur dans la cavité durant le programme Steam Bake (cuisson au four à la vapeur). Trois options préprogrammées de plats sont disponibles : Breads (pains), Desserts (desserts) et Fish (poissons), ainsi qu'une option Refresh/Reheat (rafraîchir/réchauffer).

Pour de meilleures performances, placer la grille d'étuvage à la position de grille la plus basse de la cavité et verser 1 1/2 tasse (350 mL) d'eau dans le réservoir. Ne pas remplir au-delà du niveau MAX indiqué dans le réservoir.

Une fois le programme Steam Bake (cuisson au four à la vapeur) terminé, il est possible qu'il reste de l'eau dans le réservoir. Ceci est normal. Attendre que le four ait refroidi et jeter l'eau.



A. Grille d'étuvage
B. Réservoir d'eau

Broiling (cuisson au gril)

Pour la cuisson au gril, préchauffer le four pendant 2 minutes avant d'y placer des aliments, à moins que la recette ne recommande autre chose. Placer l'aliment sur la grille de la lèchefrite, puis placer celle-ci au centre de la grille du four.

IMPORTANT : Fermer la porte pour une température de cuisson au gril adéquate.

Le changement de température lors de la cuisson au gril permet un contrôle plus précis de la cuisson. Plus le réglage du gril est bas, plus la cuisson est lente. Les morceaux épais et de forme irrégulière de viande, de poisson et de volaille cuisent mieux à des réglages de gril plus bas. Utiliser une grille à la position 6 ou 7 pour la cuisson au gril. Consulter la section « Positionnement des grilles et des ustensiles de cuisson » pour plus d'informations.

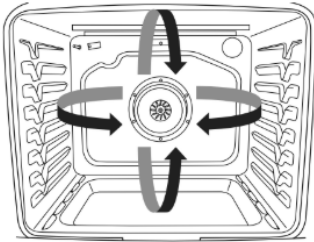
À des réglages inférieurs, l'élément de cuisson au gril s'allume et s'éteint par intermittence afin de maintenir une température adéquate.

■ Pour de meilleurs résultats, utiliser une lèchefrite et une grille. La grille est conçue pour laisser s'écouler les jus et aider à éviter les éclaboussures et la fumée.

Il est possible de commander une lèchefrite. Consulter le Guide de démarrage rapide pour obtenir les coordonnées.

Cuisson par convection

Dans un four à convection, l'air chaud que fait circuler le ventilateur répartit plus uniformément la chaleur que le mouvement naturel de l'air dans un four thermique standard. Ce déplacement d'air chaud contribue à maintenir une température constante dans tout le four, qui permet de cuire les aliments plus uniformément, de dorer leur surface tout en conservant leur humidité naturelle et de donner des pains plus croustillants.



Durant la cuisson ou le rôtissage par convection, les éléments de cuisson au four, cuisson au gril et de convection s'allument et s'éteignent par intermittence tandis que le ventilateur fait circuler l'air chaud. Durant la cuisson au gril par convection, les éléments de cuisson au gril et de convection s'allument et s'éteignent par intermittence.

Si la porte du four est ouverte durant la cuisson par convection, le ventilateur s'éteint immédiatement. Il s'allume à nouveau lorsque la porte du four est fermée.

La cuisson par convection permet de cuire la majorité des aliments à une température plus basse et/ou moins longtemps qu'avec un four thermique standard. Selon le mode de cuisson sélectionné, la conversion EasyConvect™ peut réduire automatiquement la température et/ou la durée de cuisson des recettes standard pour la cuisson par convection. Si on choisit de ne pas utiliser la conversion EasyConvect™, utiliser le tableau suivant comme guide.

Mode de convection	Time/Temperature Guidelines
Cuisson au four par convection	Température plus basse de 25 °F (15 °C), réduction éventuelle du temps de cuisson
Rôtissage par convection	Temps de cuisson réduit jusqu'à 30 %
Cuisson au gril par convection	Raccourcissement du temps de cuisson

Options de cuisson par convection

Cuisson au four par convection : cuisson au four sur plusieurs grilles de biscuits, pains, plats en sauce, tartes, tourtes et gâteaux.

Rôtissage par convection : poulets ou dindes entiers, légumes, rôtis de porc, rôtis de boeuf.

Cuisson au gril par convection : morceaux plus épais ou inégaux de viande, de poisson ou de volaille.

Panier à friture à l'air

Un des éléments qui rend la friture à l'air si efficace pour rendre les aliments croustillants est le panier perforé conçu pour la friture à l'air. Le panier à friture à l'air permet à l'air chaud de bien circuler sur toute la surface des aliments.

Lorsque la fonction Air Fry (friture à l'air) est utilisée, placer le panier de friture à l'air sur une grande plaque à pâtisserie pour ramasser les miettes, l'huile et réduire la production de fumée. Placer le panier et la plaque à la position de la grille 4 du four pour augmenter la circulation d'air. Consulter la section Positionnement des grilles et ustensiles pour plus de détails. Éviter d'utiliser plus d'un panier pour éviter la cuisson irrégulière.

Air Fry (friture à l'air)

Pendant l'utilisation de la friture à l'air, les éléments de chauffage et le ventilateur de convection s'allument et s'éteignent par intermittence pour maintenir la température du four tandis que le ventilateur fait circuler l'air chaud. Fermer la porte du four pour une température de cuisson adéquate.

IMPORTANT : La durée de cuisson, les températures et les instructions générales peuvent varier selon la recette.

La friture à l'air dans un grand four permet de simultanément frire à l'air une grande quantité d'aliments, mais il faut s'attendre à une plus longue durée de cuisson.

- Lors de l'utilisation de la friture à l'air, les aliments doivent être disposés en une seule couche et espacés uniformément.
- Consulter les instructions sur l'emballage des aliments pour connaître la durée et la température de cuisson par friture à l'air dans un four conventionnel.
- Pour des recettes avec des aliments frais dont la durée de cuisson dépasse 30 minutes, un préchauffage de 5 à 10 minutes est recommandé.
- Pour les aliments surgelés, avec os ou épais dont la durée de cuisson est inférieure à 15 minutes, une durée supplémentaire pourrait être nécessaire.
- Il n'est pas recommandé de faire frire une pâte mouillée avec la friture à l'air.
- Pour obtenir les meilleurs résultats, mélanger ou tourner les aliments à la moitié de la durée de cuisson. S'assurer de fermer la porte du four après avoir enlevé et remis les aliments dans le four.
- Vaporiser le panier à friture à l'air d'huile pour éviter que les aliments y collent.

REMARQUE : Les aliments gras peuvent produire de la fumée pendant le programme de friture à l'air. L'utilisation adéquate du panier à friture à l'air et de la plaque à pâtisserie aidera à réduire la quantité de fumée produite. Maintenir le four et la plaque de cuisson propre aidera aussi à réduire la quantité de fumée.

Levée du pain

La levée du pain prépare la pâte pour la cuisson en activant la levure. Suivre les instructions de la recette comme guide. La levée doit être utilisée pour les pâtes fraîches, les pâtes surgelées et pour la première et la deuxième levée.

Faire lever la pâte :

Avant la première levée de pain, placer la pâte dans un saladier légèrement graissé et couvrir sans serrer avec du papier ciré recouvert de graisse alimentaire. Placer sur la glissière de grille 2 et fermer la porte du four.

REMARQUE : Si la température du four est supérieure à 120 °F (49 °C), « Oven Cooling » (refroidissement du four) s'affiche jusqu'à ce que la température retombe en dessous de 120 °F (49 °C).

1. Appuyer sur Proof (levée du pain).
2. Appuyer sur Start (mise en marche).

Laisser la pâte lever jusqu'à ce qu'elle ait presque doublé de volume. La durée de levée du pain peut varier en fonction du type de pâte et de la quantité.

3. Appuyer sur Cancel (annulation) lorsque la levée est terminée.

Avant la seconde levée, mettre la pâte en forme, la placer sur la ou les plaques de cuisson et couvrir partiellement. Reprendre le même positionnement et vérifier que les étapes ci-dessus ont bien été suivies. Avant la cuisson au four, retirer la pellicule protectrice.

REMARQUE : Si la température du four est supérieure à 120 °F (49 °C), l'affichage indique « oven cooling » (refroidissement du four) jusqu'à ce que la température soit inférieure à 120 °F (49 °C).

Cook Time (durée de cuisson)

AVERTISSEMENT

Risque d'empoisonnement alimentaire

Ne pas laisser des aliments reposer plus d'une heure avant ou après la cuisson.

Le non-respect de cette instruction peut causer un empoisonnement alimentaire ou une maladie.

Réglage d'une cuisson minutée :

1. Appuyer sur Bake (cuisson au four) ou Broil (cuisson au gril) ou appuyer sur la fonction Easy Convect (cuisson par convection facile).
2. Appuyer sur les touches numériques pour entrer une température autre que celle qui est affichée.
3. Appuyer sur Cook Time (durée de cuisson). Le témoin lumineux de Cook Time (durée de cuisson) du four s'allume.
4. Appuyer sur les touches numériques pour entrer la durée de cuisson.
5. Appuyer sur Start (mise en marche). L'affichage présente le compte à rebours de la durée. Lorsque la durée est écoulée, le four s'éteint automatiquement.
6. Appuyer sur le bouton Cancel (annulation) du four sélectionné pour effacer l'affichage du four.

Réglage de Delayed Timed Cook (cuisson minutée différée) :

1. Appuyer sur Bake (cuisson au four) ou Broil (cuisson au gril) ou appuyer sur la fonction Easy Convect (cuisson par convection facile).
2. Appuyer sur les touches numériques pour entrer une température autre que celle qui est affichée.
3. Appuyer sur Cook Time (durée de cuisson). Le témoin lumineux de Cook Time (durée de cuisson) du four s'allume.
4. Appuyer sur les touches numériques pour entrer la durée de cuisson.
5. Appuyer sur Delay Start (mise en marche différée).
6. Appuyer sur les touches numériques pour entrer le nombre d'heures et/ou de minutes dont on souhaite différer l'heure de mise en marche.
7. Appuyer sur Start (mise en marche).

Lorsque l'heure de mise en marche est atteinte, le four s'allume automatiquement. Il est possible de modifier les réglages de température ou de temps à tout moment après avoir mis en marche le four en répétant les étapes 2 à 4. Lorsque la durée de cuisson réglée s'achève, le four s'éteint automatiquement.

8. Appuyer sur le bouton Cancel (annulation) du four sélectionné pour effacer l'affichage du four.

Manual Del Propietario

SEGURIDAD DE LA ESTUFA

Su seguridad y la de los demás son muy importantes.

Hemos incluido muchos mensajes importantes de seguridad en este manual y en su electrodoméstico. Lea y obedezca siempre todos los mensajes de seguridad.



Este es el símbolo de advertencia de seguridad.

Este símbolo le llama la atención sobre peligros potenciales que pueden ocasionar la muerte o una lesión a usted y a los demás.

Todos los mensajes de seguridad irán a continuación del símbolo de advertencia de seguridad y de la palabra "PELIGRO" o "ADVERTENCIA". Estas palabras significan:

⚠ PELIGRO

Usted puede morir o sufrir una lesión grave si no sigue de inmediato las instrucciones.

⚠ ADVERTENCIA

Si no sigue las instrucciones, puede morir o sufrir una lesión grave.

Todos los mensajes de seguridad le dirán cuál es el peligro potencial, cómo reducir las posibilidades de sufrir una lesión y lo que puede suceder si no se siguen las instrucciones.

La estufa no se volteará durante el uso normal. Sin embargo, la estufa se puede voltear si aplica mucha fuerza o peso sobre la puerta abierta sin tener el soporte antivuelco sujeto al piso adecuadamente.

⚠ ADVERTENCIA

Peligro de vuelco

Un niño o un adulto puede volcar accidentalmente la estufa y resultar muerto.

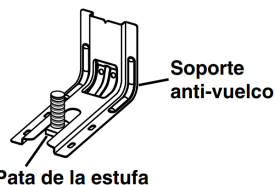
Instale el soporte antivuelco fijado al piso o a la pared según las instrucciones de instalación.

Deslice la estufa hacia atrás de modo que la pata trasera quede enganchada en la ranura del soporte antivuelco.

Si traslada de lugar la estufa, vuelva a asegurar el soporte antivuelco.

No ponga a funcionar la estufa sin tener el soporte antivuelco instalado y asegurado.

No seguir estas instrucciones puede ocasionar la muerte o quemaduras graves en niños y adultos.



Para verificar que el soporte anti-vuelco esté instalado y asegurado:

- **Deslice la estufa hacia adelante.**
- **Verifique que el soporte anti-vuelco esté bien sujeto al piso o a la pared.**
- **Deslice la estufa de modo tal que la pata trasera quede debajo del soporte anti-vuelco.**
- **Consulte las instrucciones de instalación para ver más detalles.**

INSTRUCCIONES IMPORTANTES DE SEGURIDAD

ADVERTENCIA: Para reducir el riesgo de incendio, choque eléctrico o lesiones personales al usar el electrodoméstico, siga precauciones básicas, entre ellas las siguientes:

- **ADVERTENCIA:** PARA REDUCIR EL RIESGO DE VUELCO DE LA ESTUFA, LA MISMA DEBE ASEGURARSE CON LA INSTALACIÓN ADECUADA DE DISPOSITIVOS ANTIVUELCO. PARA VERIFICAR SI LOS DISPOSITIVOS ESTÁN INSTALADOS ADECUADAMENTE, DESLICE LA ESTUFA HACIA ADELANTE, REVISE QUE EL SOPORTE ANTIVUELCO ESTÉ BIEN SUJETO AL PISO O A LA PARED Y DESLICE LA ESTUFA HACIA ATRÁS DE MODO QUE LA PATA TRASERA QUEDE DEBAJO DEL SOPORTE ANTIVUELCO.
- **ADVERTENCIA:** Peligro incendio: No guarde artículos en las superficies de cocción. Nunca deje nada en la superficie cuando no esté atendida y no esté en uso. Nunca coloque artículos inflamables o de plástico en o cerca de la superficie.
- **PRECAUCIÓN:** No almacene artículos que interesen a los niños en los armarios que estén encima de un electrodoméstico o en el soporte de un electrodoméstico; al trepar los niños encima del electrodoméstico para alcanzar algún objeto, podrían sufrir una lesión grave.
- Instalación correcta: el electrodoméstico, cuando se instale, deberá conectarse a tierra de acuerdo con los códigos locales, o en la ausencia de códigos locales, con el *Código Nacional Eléctrico, ANSI/NFPA 70* o el *Código Canadiense de Electricidad, CSA C22.1-02*. En Canadá, el electrodoméstico se debe conectar a tierra de acuerdo con el Código Canadiense de Electricidad. Cerciórese de que la instalación y puesta a tierra del electrodoméstico sean efectuadas adecuadamente por un técnico calificado.
- Nunca use el electrodoméstico como calefacción del cuarto.
- No deje a los niños solos: no se debe dejar a los niños sin supervisión en el área donde el electrodoméstico esté en uso. Jamás se les debe permitir que se sienten ni se paren en parte alguna del electrodoméstico.
- Use ropa apropiada: nunca debe ponerse ropa holgada o que quede colgando mientras esté usando el electrodoméstico.
- Servicio del usuario: no repare ni reemplace pieza alguna del electrodoméstico a menos que se recomiende específicamente en el manual. Cualquier otro servicio se debe dejar en las manos de un técnico competente.
- Este electrodoméstico no ha sido diseñado para almacenar objetos.
- No use agua en incendios provocados por grasa: el incendio o la llama o use un extinguidor de tipo espuma o químico seco.
- No use piezas de repuesto que no hayan sido recomendadas por el fabricante (por ejemplo, piezas hechas en casa con una impresora 3D).
- Use solo agarradores que estén secos: los agarradores húmedos o mojados en las superficies calientes pueden ocasionar quemaduras por vapor. No deje que el agarrador toque los elementos calefactores calientes. No use una toalla ni otros paños voluminosos.
- NO TOQUE LAS UNIDADES EXTERIORES O ÁREAS CERCA DE LAS UNIDADES – Las unidades exteriores podrían estar calientes no obstante su color sea oscuro. Las áreas cercanas a las unidades exteriores se pueden calentar lo suficiente para ocasionar quemaduras. Durante y después del uso, no toque ni deje que la ropa u otros materiales inflamables toquen las unidades exteriores ni las áreas cercanas a las unidades hasta que haya transcurrido tiempo suficiente para que se enfíen. Entre esas áreas están los elementos de bobina, la superficie de cocción y las superficies que están frente a la superficie de cocción.
- Use cacerolas de tamaño apropiado: este electrodoméstico está equipado con una o más unidades exteriores de tamaño distinto. Seleccione utensilios que tengan una base lisa y lo suficientemente grande para cubrir el elemento calefactor de la unidad exterior. El uso de utensilios de menor tamaño expondrá una porción del elemento calefactor a contacto directo y puede ocasionar que la ropa se incendie. La relación apropiada entre el utensilio y el quemador también mejorará el rendimiento energético.
- Nunca deje sin supervisión las unidades exteriores a fuego alto. Los aceites de cocina y las grasas animales son inflamables, los derrames por ebullición ocasionan humo y las salpicaduras grasosas pueden incendiarse.
- Cerciórese de que las charolas reflectoras o platillos para goteo estén en su lugar: la ausencia de éstos durante la cocción puede ocasionar daños al cableado o los componentes que están debajo.
- Forros protectores: no use papel de aluminio para forrar los platillos para goteo de las unidades exteriores o la base del horno, excepto como lo sugiera el manual. La instalación incorrecta de estos forros puede dar lugar a riesgos de choque eléctrico o incendio.
- Utensilios de cocina vidriados: solo algunos tipos de utensilios de vidrio, vitrocerámica, cerámica, loza de barro u otros utensilios vidriados son adecuados para uso en la superficie de cocción sin que se rompan debido a cambios repentinos de temperatura.
- Los mangos de los utensilios deben colocarse hacia adentro y no deben extenderse hasta las unidades exteriores adyacentes: para reducir riesgos de quemaduras, incendio de materiales inflamables y salpicaduras debido a contacto accidental con el utensilio, el mango del utensilio debe colocarse hacia adentro y no debe extenderse hasta las unidades exteriores adyacentes.
- No remoje los elementos calefactores desmontables: nunca se deben sumergir los elementos calefactores en el agua.
- No cocine en una superficie de cocción quebrada: si la superficie de cocción se quiebra, las soluciones de limpieza y los derrames pueden penetrar en la superficie de cocción y dar lugar a un riesgo de choque eléctrico. Comuníquese de inmediato con un técnico competente.

GUARDE ESTAS INSTRUCCIONES

INSTRUCCIONES IMPORTANTES DE SEGURIDAD

- Limpie la superficie de cocción con cuidado – Si usa una esponja o un paño mojado para limpiar los derrames en el área de cocción caliente, tenga cuidado para evitar quemaduras por vapor. Algunos productos de limpieza pueden producir gases nocivos al ser aplicados en una superficie caliente.
- Tenga cuidado al abrir la puerta: deje que salga el aire caliente o el vapor antes de quitar o volver a colocar alimentos.
- No ponga a calentar recipientes de alimentos cerrados: la acumulación de presión puede hacer que el recipiente explote y ocasione lesiones.
- Mantenga los ductos de ventilación del horno sin obstrucciones.
- Colocación de las parrillas del horno: siempre coloque las parrillas del horno en el lugar deseado mientras el horno esté frío. Si es necesario mover la parrilla mientras el horno está caliente, no deje que la agarradera entre en contacto con la resistencia caliente del horno.
- **NO TOQUE LOS ELEMENTOS CALEFACTORES NI LAS SUPERFICIES INTERIORES DEL HORNO:** los elementos calefactores podrían estar calientes, incluso si su color es oscuro. Las superficies interiores de un horno se calientan lo suficiente como para causar quemaduras. Durante y después del uso, no toque, ni deje que la ropa u otros materiales inflamables entren en contacto con los elementos de calentamiento o las superficies interiores del horno hasta que hayan tenido tiempo suficiente para enfriarse. Otras superficies del electrodoméstico pueden calentarse lo suficiente como para causar quemaduras: entre esas superficies están los orificios de ventilación del horno y las superficies cercanas a esos orificios, las puertas del horno y las ventanas de las puertas del horno.
- Se debe tener cuidado para evitar que el papel aluminio y las sondas para carne entren en contacto con los elementos calefactores.
- **NO PONGA OBJETOS METÁLICOS COMO CUCHILLOS, TENEDORES, CUCHARAS Y TAPAS SOBRE LA SUPERFICIE DE COCCIÓN YA QUE PUEDEN CALENTARSE.**

Para las estufas con autolimpieza:

- **PRECAUCIÓN: NO DEJE ALIMENTOS O UTENSILIOS PARA COCINAR, ETC., EN EL HORNO DURANTE EL MODO DE FUNCIONAMIENTO AUTOLIMPIEZA PIROLÍTICA.**
- No limpie la junta de la puerta: la junta de la puerta es esencial para un cierre hermético. Deberá tenerse cuidado de no frotar, dañar ni mover la junta.
- No use limpiadores para horno: no deberá usarse ningún limpiador para horno comercial ni revestimiento protector para hornos de ninguna clase dentro ni alrededor de ninguna parte del horno.
- Limpie solamente las partes que figuran en el manual.
- Antes de hacer la autolimpieza del horno: quite la charola para asar a la parrilla y otros utensilios.

Para unidades con campana de ventilación:

- Limpie las campanas de ventilación con frecuencia – No se debe dejar que la grasa se acumule en la campana o en el filtro.
- Al flamear los alimentos debajo de la campana, encienda el ventilador.

GUARDE ESTAS INSTRUCCIONES

Esta superficie de cocción por inducción genera y utiliza una frecuencia de energía ISM (industrial, científica y médica, por sus siglas en inglés) que calienta el recipiente de cocción usando un campo electromagnético. Ha sido probada y cumple con la Parte 18 de las reglas FCC (Comisión federal de comunicaciones, por sus siglas en inglés) para el equipo ISM. Esta superficie de cocción por inducción satisface los requisitos de FCC para minimizar la interferencia con otros dispositivos en la instalación en casas de familia.

Esta superficie de cocción por inducción puede ocasionar interferencia con la recepción de televisión o de radio. Si se genera interferencia, el usuario deberá intentar corregirla de esta manera:

- Mover la antena receptora de radio o televisión.
- Aumentar la distancia entre la superficie de cocción y el receptor.
- Conectar el receptor en una toma diferente.

Es responsabilidad del usuario corregir cualquier interferencia.

NOTA: Las personas que usan un marcapasos o un dispositivo médico similar deberán tener cuidado al pararse cerca de esta superficie de cocción por inducción mientras esté encendida. El campo electromagnético puede afectar el marcapasos u otro dispositivo similar. Consulte a su médico o al fabricante de marcapasos u otro dispositivo médico similar para obtener información adicional acerca de sus efectos con los campos electromagnéticos de la superficie de cocción por inducción.

IMPORTANTE: El tamaño, el material y la posición del recipiente son muy importantes para lograr los mejores resultados cuando use una superficie de cocción por inducción. Consulte “Cocción por inducción” en las secciones “Uso de la superficie de cocción” y “Utensilios de cocina” antes de usar la superficie de cocción.

Este dispositivo cumple con la parte 18 de las reglas de la FCC.
Este dispositivo cumple con Industry Canada CAN ICES-001(B)/NMB-001(B).

MANTENIMIENTO Y CUIDADO DE LA ESTUFA

Ciclo de limpieza

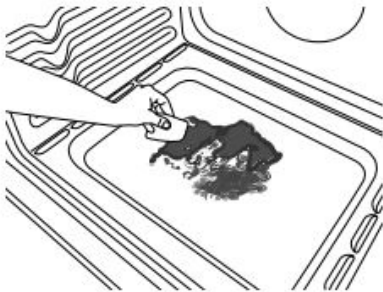


AquaLift® consiste en una innovadora solución de limpieza que utiliza calor y agua para remover los derrames producidos por el horneado en menos de 1 hora. Esta nueva tecnología de limpieza presenta una alternativa de calor bajo y sin olor frente a las opciones tradicionales de autolimpieza.

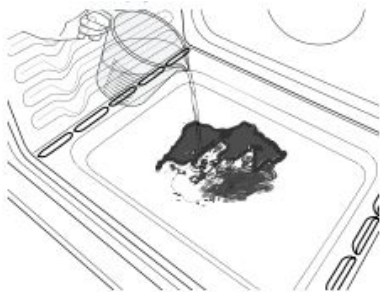
Deje que el horno se enfríe a temperatura ambiente antes de usar el ciclo Clean (Limpieza). Si la temperatura de la cavidad del horno es mayor que 200 °F (93 °C), aparecerá en la pantalla, y el ciclo de limpieza no se activará hasta que la cavidad del horno se haya enfriado.

Para limpiar:

1. Quite todas las parrillas y los accesorios de la cavidad del horno y limpie el exceso de suciedad. Use un rascador de plástico para retirar la suciedad más fácil.



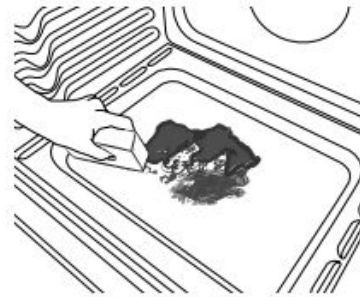
2. Vierta dos tazas (16 oz [500 ml]) de agua destilada o filtrada sobre el piso del horno vacío y cierre la puerta del horno.



IMPORTANTE: No use sustancias químicas ni otros aditivos con el agua. No abra el horno durante el ciclo de limpieza. El agua que está en el piso del horno está caliente.

3. Presione CLEAN (Limpieza) AQUALIFT SELF CLEAN (Autolimpieza AquaLift) y, después, START (Inicio) en el panel de control del horno.
4. Deje que transcurran 40 minutos para la limpieza y el enfriamiento. Se escuchará un pitido cuando se haya terminado el ciclo de limpieza.
5. Presione Cancel (Cancelar) al final del ciclo. Se puede presionar Cancel (Cancelar) en cualquier momento para detener el ciclo de limpieza.

6. Retire el agua residual y la suciedad que se aflojó con una esponja o un paño de inmediato una vez que el ciclo de limpieza esté completo. La mayor parte de las 2 tazas (16 oz [500 ml]) iniciales de agua permanecerá en el horno después de que se termine el ciclo. Si todavía queda suciedad, deje una pequeña cantidad de agua en la base del horno para facilitar la limpieza.



7. Si queda suciedad, quítela con una esponja para restregar que no raye o un raspador de plástico. Se pueden hacer funcionar ciclos limpieza adicionales para ayudar a quitar la suciedad rebelde.

IMPORTANTE: No use limpiadores para horno. El uso de sustancias químicas, incluso productos de limpieza comerciales para hornos o estropajos de metal, puede causar daños permanentes a la superficie de porcelana del interior del horno.

NOTAS:

- La estufa deberá estar nivelada para asegurarse de que toda la superficie del piso de la cavidad del horno esté cubierta con agua al comienzo del ciclo de limpieza.
- Para obtener resultados óptimos, use agua destilada o filtrada. Es posible que el agua del grifo deje depósitos minerales en la base del horno.
- Antes de quitar el agua restante y la suciedad floja al final del ciclo de limpieza, inserte un paño o una toalla de papel entre el borde inferior de la puerta del horno y el marco delantero para evitar que el agua se derrame sobre el frente de la estufa y el piso.
- Será más difícil quitar suciedad acumulada después de varios ciclos de cocción con el ciclo de limpieza.
- Las esponjas para restregar no abrasivas o los estropajos de limpieza tipo borrador (sin productos de limpieza) pueden ser eficaces para limpiar suciedad rebelde en las paredes de la cavidad, la puerta y el piso del horno. Para obtener mejores resultados, humedezca los estropajos y las esponjas antes de usarlas.
- Ponga a funcionar un ciclo de limpieza adicional para la suciedad rebelde.
- El limpiador para electrodomésticos de cocina affresh® y el limpiador para superficies de cocción affresh® pueden usarse para limpiar el piso, las paredes y la puerta del horno cuando se haya terminado el ciclo y el horno haya vuelto a la temperatura ambiente. Si se usa el limpiador para superficies de cocción affresh®, se recomienda limpiar también la cavidad con agua destilada. Para obtener información sobre cómo realizar pedidos, consulte la Guía rápida de inicio.

- Para obtener kits de limpieza con tecnología AquaLift® adicionales, haga un pedido del número de referencia W10423113RP. Para obtener información sobre cómo realizar pedidos, consulte la Guía rápida de inicio.
- Para pedir asistencia con la tecnología AquaLift®, llame al **1-877-258-0808** en EE. UU. o al **1-800-807-6777** en Canadá; o bien, visite nuestro sitio web en <http://whirlpoolcorp.com/aqualift>.

Limpieza general

IMPORTANTE: Antes de limpiar, asegúrese de que todos los controles estén apagados y que el horno y la superficie de cocción estén fríos. Siempre siga las instrucciones de las etiquetas de los productos de limpieza.

En primer lugar, se sugiere el empleo de jabón, agua y una esponja o paño suave, salvo que se indique lo contrario.

SUPERFICIES EXTERIORES DE ESMALTE DE PORCELANA (en algunos modelos)

Los derrames de alimentos que contienen ácidos, como vinagre y tomate, deben limpiarse apenas se enfríe por completo la estufa. Esos derrames pueden afectar el acabado.

Método de limpieza:

- Limpiavidrios, limpiador líquido suave o estropajo no abrasivo: Limpie cuidadosamente alrededor de la placa con el número de modelo/serie/clasificación porque el fregado puede borrar los números.
- Affresh® para cocina y electrodomésticos, número de pieza W10355010 (no se incluye):
Para obtener información de contacto, consulte la Guía rápida de inicio.

ACERO INOXIDABLE (en algunos modelos)

NOTA: Para evitar daños a las superficies de acero inoxidable, no use estropajos precargados con jabón, productos de limpieza abrasivos, limpiador para superficies de cocción, estropajos de lana de acero, paños de lavar ásperos o toallas de papel abrasivas. Se podrían producir daños en las superficies de acero inoxidable, incluso aunque solo se usen una vez o de forma limitada.

Método de limpieza:

Frote en la dirección de la veta para evitar daños.

- Limpiador para acero inoxidable affresh®, número de referencia W10355016 (no se incluye):
Para obtener información de contacto, consulte la Guía rápida de inicio.

PINTURA METÁLICA (en algunos modelos)

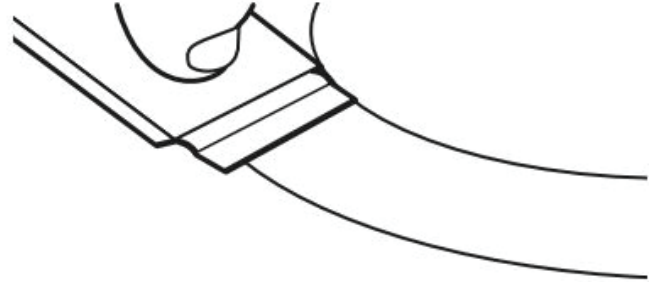
No use productos de limpieza abrasivos, limpiadores con blanqueador, removedores de óxido, amoníaco ni hidróxido de sodio (lejía), ya que se pueden manchar las superficies pintadas.

LIMPIEZA DE LA SUPERFICIE DE COCCIÓN DE VITROCERÁMICA

Método de limpieza:

Para evitar daños en la superficie de cocción, no use lana de acero, productos de limpieza en polvo abrasivos, blanqueador con cloro, removedor de óxido ni amoníaco.

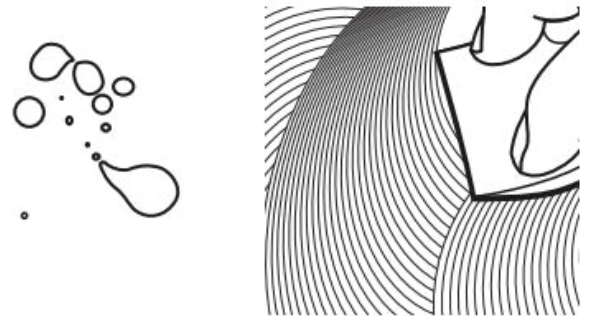
1. Quite los alimentos/residuos con el raspador para superficies de cocción.



- Para obtener resultados óptimos, use el raspador para superficies de cocción mientras la superficie de cocción todavía esté templada, pero no caliente al tacto. Se recomienda usar guantes para horno cuando se raspa la superficie de cocción tibia.
- Sostenga el raspador para superficies de cocción en un ángulo de unos 45° contra la superficie de vidrio y raspe los residuos. Será necesario aplicar presión para retirar los residuos.

Espere hasta que la superficie de cocción se enfríe por completo antes de seguir con el paso 2.

2. Aplique pocas gotas del tamaño de una moneda pequeña de limpiador para superficies de cocción en las zonas afectadas.



- Frote limpiador affresh® sobre la superficie de cocción con la almohadilla de limpieza para superficies de cocción azul. Se requiere algo de presión para eliminar las manchas rebeldes.
- Espere hasta que el limpiador se seque y deje una opacidad blanca antes de seguir con el paso 3.

3. Pula con una toalla de papel o con un paño limpio y seco.



- Repita los pasos 1 a 3 según sea necesario para las manchas rebeldes o adheridas al quemarse.

Se puede pedir el juego completo de limpieza para la superficie de cocción, que incluye lo siguiente:

- Raspador para superficies de cocción
- Limpiador para superficies de cocción affresh®
- Almohadillas de limpieza azules para superficies de cocción

Para obtener información sobre pedidos, consulte la Guía de inicio rápido.

PANEL DE CONTROL Y EXTERIOR DE LA PUERTA DEL HORNO

Para evitar daños en el panel de control, no use productos de limpieza abrasivos, estropajos de lana de acero, paños de lavar ásperos ni toallas de papel abrasivas.

Método de limpieza:

- Limpiavidrios y un paño o una esponja suave: Aplique el limpiavidrios en una esponja o paño suave, no directamente sobre el panel.
- Affresh® para cocina y electrodomésticos, número de pieza W10355010 (no se incluye):

Para obtener información de contacto, consulte la Guía rápida de inicio.

PARRILLAS DEL HORNO

Método de limpieza:

- Estropajo de lana de acero
- Para las parrillas que se han decolorado y que no se deslizan con facilidad, la aplicación de una capa delgada de aceite vegetal a las guías de la parrilla hará que se deslicen con más facilidad.
- Lavavajillas (solo para el depósito de agua de la parrilla de vapor, no las demás parrillas): Si bien el depósito de agua es resistente, puede perder el brillo y/o cambiar de color si se lo lava en lavavajillas.

CAJÓN DE HORNEADO (en algunos modelos)

Verifique que el cajón de horneado esté frío y vacío antes de limpiarlo.

Los derrames de alimentos deben limpiarse cuando el horno se enfría. A altas temperaturas, los alimentos reaccionan con la porcelana. Esto puede dar lugar a manchas, marcas, picaduras o manchas blancas tenues.

Método de limpieza:

- Detergente suave

cajón de calentamiento, el cajón para hornear o el cajón de almacenamiento premium

Verifique que el cajón de calentamiento, el cajón para hornear o el cajón de almacenamiento premium estén fríos y vacíos antes de limpiarlos.

Método de limpieza:

- Detergente suave

CAVIDAD DEL HORNO

En función de su modelo, use la tecnología AquaLift® o el ciclo de autolimpieza regularmente para limpiar los derrames del horno.

No use limpiadores para horno.

Los derrames de alimentos deben limpiarse cuando el horno se enfría. A altas temperaturas, los alimentos reaccionan con la porcelana. Esto puede dar lugar a manchas, marcas, picaduras o manchas blancas tenues.

Método de limpieza:

- Ciclo de limpieza: Consulte primero "Ciclo de limpieza".

INSTRUCCIONES DE INSTALACIÓN

REQUISITOS

Herramientas y piezas

Reúna las herramientas y las piezas necesarias antes de comenzar la instalación. Lea y siga las instrucciones provistas con cualquiera de las herramientas detalladas aquí.

Herramientas necesarias

- Cinta métrica
- Destornillador de cabeza plana
- Destornillador Phillips
- Nivel
- Martillo
- Taladro manual o eléctrico
- Llave o pinzas
- Marcador o lápiz
- Linterna
- Llave de torsión
- Cinta adhesiva protectora
- Trinquete de 1/4" (6,4 mm)
- Llave para tuercas de 1/4" (6,4 mm)
- Llave para tuercas de 3/8" (9,5 mm) y 5/16" (8 mm)
- Broca de 1/8" (3,2 mm) (para pisos de madera)
- Alicata para latón o cortacables grande (para cortar la banda de conexión a tierra de ser necesario)

Piezas suministradas

Verifique que estén todas las piezas.

- Tornillos n.º 10 x 1 5/8" (4,1 cm) (para montar el soporte antivuelco) (2)
- Soporte antivuelco (dentro de la cavidad del horno)

El soporte antivuelco debe estar montado firmemente a la pared posterior o al piso. Según el espesor del piso, es posible que sea necesario utilizar tornillos más largos para sujetar el soporte al piso. Puede conseguir tornillos más largos en una ferretería local.

- Parrillas del horno (3)

Piezas opcionales

Para comprar estos u otros accesorios, consulte la Guía rápida de inicio para ver la información para realizar pedidos.

■ Kits de terminaciones laterales:

- Blanco de 5/8" (1,7 cm). Pida el número de pieza W10675027
- Negro de 5/8" (1,7 cm). Pida el número de pieza W10675026
- Acero inoxidable de 5/8" (1,7 cm). Pida el número de pieza W10675028
- Blanco de 1 1/8" (2,9 cm). Pida el número de pieza W10731885
- Negro de 1 1/8" (2,9 cm). Pida el número de pieza W10731886
- Acero inoxidable de 1 1/8" (2,9 cm). Pida el número de pieza W10731887

■ Kits de zócalos de encimera:

Alto blanco de 6" (15,2 cm). Pida el número de pieza W10655448

Alto negro de 6" (15,2 cm). Pida el número de pieza W10655449

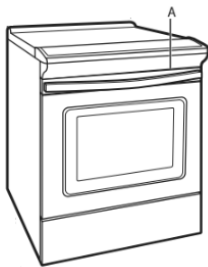
Alto de acero inoxidable de 6" (15,2 cm). Pida el número de pieza W10655450

NOTA: Asegúrese de comprar únicamente piezas y accesorios Whirlpool certificados de fábrica para su electrodoméstico. Su instalación puede requerir piezas adicionales. Para pedir las, consulte la información de contacto que figura en la Guía rápida para comenzar.

Requisitos de ubicación

IMPORTANTE: Respete todos los códigos y las ordenanzas vigentes.

- Es responsabilidad del instalador cumplir con los espacios de instalación especificados en la placa que indica modelo/serie/valores nominales. La placa que indica modelo/serie/valores nominales está detrás de la puerta del horno, en la parte superior del lado derecho del marco del horno.



A. Placa indicadora de modelo/serie/valores nominales

- La estufa debe ubicarse en un lugar conveniente para su uso.
- Las instalaciones empotradas deben dejar completamente encerrados los lados y la parte posterior de la estufa.
- Para eliminar el riesgo de quemaduras o incendio al tocar unidades con la superficie demasiado caliente, deberá evitarse el uso de gabinetes de almacenamiento encima de las unidades. Si van a proveerse gabinetes de almacenamiento, se puede instalar una campana de ventilación o una combinación de microondas y campana que se proyecte horizontalmente un mínimo de 5" (12,7 cm) más allá de la base de los armarios para reducir el riesgo.
- Todas las aberturas en la pared o en el piso en donde se instalará la estufa deben estar selladas.
- Deben usarse las dimensiones de la abertura del gabinete que se muestran. Las dimensiones proporcionadas son los espacios mínimos.
- Debe instalarse el soporte antivuelco. Para instalar el soporte antivuelco enviado con la estufa, consulte la sección "Instalación del soporte antivuelco".
- Se requiere un suministro eléctrico conectado a tierra. Consulte la sección "Requisitos eléctricos" apropiada.
- Póngase en contacto con un instalador de revestimiento de pisos competente para verificar que el revestimiento del piso pueda soportar por lo menos 200 °F (93 °C).
- Use una almohadilla aislante o una madera laminada de 1/4" (0,64 mm) debajo de la estufa si la va a instalar sobre una alfombra.

IMPORTANTE: Para evitar daños a los gabinetes, consulte al constructor o al proveedor de los gabinetes para asegurarse de que los materiales empleados no cambien de color, no se desprenda el laminado ni sufran ningún otro tipo de daño. Este horno fue diseñado de acuerdo con los requisitos de UL y CSA International y cumple con las temperaturas máximas permitidas para gabinetes de madera de 194 °F (90 °C).

Requisitos de instalación adicionales para casas rodantes

La instalación de esta estufa debe ajustarse a la Norma para la construcción y la seguridad de casas fabricadas, título 24 CFR, parte 3280 (antes, Norma federal para la construcción y la seguridad de casas rodantes, título 24, HUD parte 280). Cuando no sea aplicable esa norma, use la Norma para instalaciones en casas fabricadas, ANSI A225.1/NFPA 501A o cumpla los códigos locales.

En Canadá, la instalación de esta estufa debe hacerse conforme con las normas vigentes de CAN/CSA-Z240.1- su edición más reciente, o con los códigos locales.

Las instalaciones en casas rodantes requieren lo siguiente:

- Cuando se instale esta estufa en una casa rodante, deberá asegurarse al piso durante el transporte. Cualquier método de fijación de la estufa es adecuado en tanto cumpla con las normas antes mencionadas.
- Para la instalación en una casa rodante, deberá usarse un cable de suministro eléctrico de cuatro hilos. Deberá revisarse el cableado del electrodoméstico. Consulte la sección "Conexión eléctrica, EE. UU. solamente".

Dimensiones del gabinete

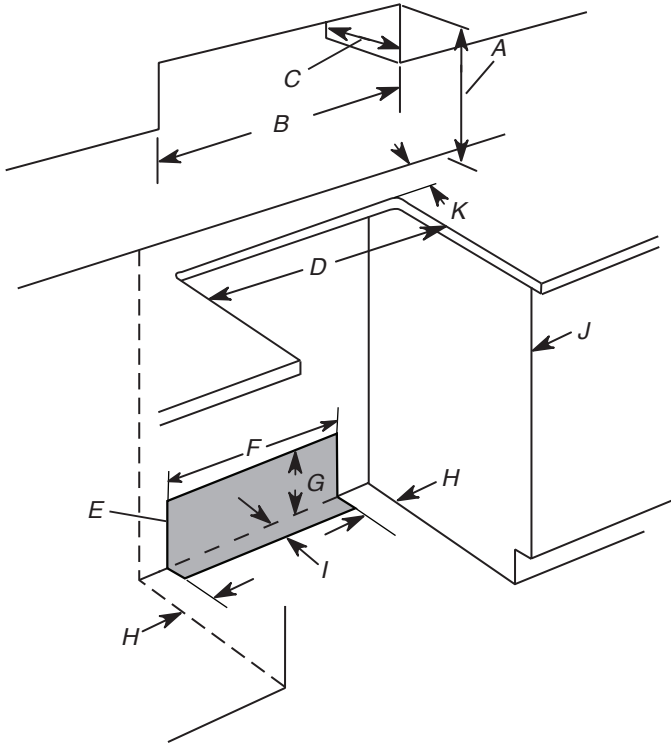
Las dimensiones de abertura del gabinete que se muestran son para una profundidad de mostrador de 25" (64,0 cm), una profundidad del gabinete de la base de 24" (61,0 cm) y una altura del mostrador de 36" (91,4 cm).

IMPORTANTE: Si va a instalar una campana de estufa o una combinación de microondas y campana sobre la estufa, siga las instrucciones de instalación incluidas con la campana para estufa o la combinación de microondas y campana para las medidas de espacio sobre la superficie de cocción.

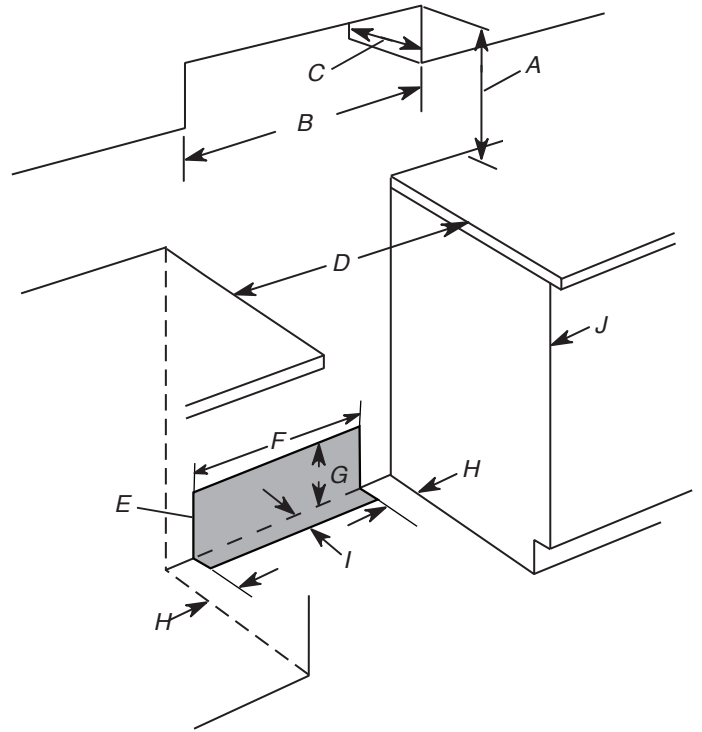
La estufa puede instalarse próxima a paredes combustibles con una separación cero.

NOTA: Cuando se instala en un recorte deslizante, el frente de la puerta del horno puede sobresalir del gabinete de la base.

Recorte deslizable



Recorte independiente



- A. Para ver el espacio mínimo hasta la parte superior de la superficie de cocción, consulte la NOTA*.
- B. 30" (76,2 cm) ancho mínimo de apertura
- C. 13" (33 cm) profundidad máxima del gabinete superior
- D. 30" (76,2 cm) ancho mínimo de apertura
- E. Se recomienda esta área sombreada para la instalación de la tubería de gas rígida y el tomacorriente con conexión a tierra.
- F. 13¹/₈" (33,3 cm)
- G. 7¹/₁₆" (19,5 cm)
- H. 4¹³/₁₆" (12,2 cm)
- I. 3¹/₁₆" (9,4 cm) más la medición de M
- J. La puerta o las bisagras del gabinete no deben extenderse dentro del área del recorte.
- K. La profundidad de mostrador restante no debe exceder 2¹/₄" (5,7 cm).

- A. Para ver el espacio mínimo hasta la parte superior de la superficie de cocción, consulte la NOTA*.
- B. 30" (76,2 cm) ancho mínimo de apertura
- C. 13" (33 cm) profundidad máxima del gabinete superior
- D. 30" (76,2 cm) ancho mínimo de apertura
- E. Se recomienda esta área sombreada para la instalación de la tubería de gas rígida y el tomacorriente con conexión a tierra.
- F. 13¹/₈" (33,3 cm)
- G. 7¹/₁₆" (19,5 cm)
- H. 4¹³/₁₆" (12,2 cm)
- I. 3¹/₁₆" (9,4 cm)
- J. La puerta o las bisagras del gabinete no deben extenderse dentro del área del recorte.

***NOTA:** 24" (61,0 cm) como mínimo cuando la base del gabinete de madera o de metal esté protegida por madera moldeada retardante de llama de al menos 1/4" (0,64 cm), cubierta con una lámina de acero no inferior a N.º 28 MSG, acero inoxidable de 0,015" (0,4 mm), aluminio de 0,024" (0,6 mm) o cobre de 0,020" (0,5 mm).

30" (76,2 cm) de espacio mínimo entre la parte superior de la superficie de cocción y la base de un gabinete de madera o metal descubierto.

Requisitos eléctricos, en EE. UU. Únicamente

⚠ **ADVERTENCIA**



Peligro de choque eléctrico

Conecte este aparato con conexión a tierra.

No seguir estas instrucciones podría causar la muerte, un incendio o una descarga eléctrica.

Asegúrese de que la conexión eléctrica y el tamaño del cable sean adecuados y cumplan con la edición más reciente del Código Nacional Eléctrico, ANSI/NFPA 70, y con todos los códigos y las ordenanzas locales.

Puede obtener una copia de los códigos antes indicados en:
National Fire Protection Association
1 Batterymarch Park
Quincy, MA 02169-7471

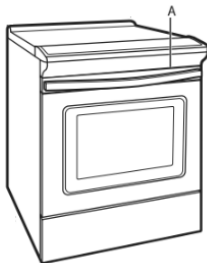
ADVERTENCIA: La conexión incorrecta del conductor de conexión a tierra del equipo puede resultar en un choque eléctrico. Si no está seguro de que la conexión a tierra del aparato sea la adecuada, verifíquela con un electricista o un técnico de servicio calificado. No modifique el enchufe del cable de suministro eléctrico. Si no encaja en el tomacorriente, solicite a un electricista calificado que instale un tomacorriente adecuado.

Conexión eléctrica

Verifique los códigos locales y consulte con el proveedor de gas. Verifique el suministro de gas y el suministro eléctrico existentes. Consulte la sección "Requisitos del suministro de gas".

Es recomendable que todas las conexiones eléctricas sean realizadas por un instalador eléctrico competente.

- La estufa debe estar conectada al voltaje eléctrico y frecuencia apropiados según se especifica en la placa con el número de clasificación del modelo/serie. La placa que indica modelo/serie/valores nominales está detrás de la puerta del horno, en la parte superior del lado derecho del marco del horno.



A. La placa que indica modelo/serie/valores nominales está detrás de la puerta del horno, en la parte superior del lado derecho del marco del horno

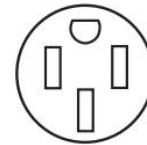
- Esta estufa se fabrica con un cable de suministro eléctrico de 4 hilos clasificado para 240 V, 40 A, a 194 °F (90 °C) e investigado para el uso con esta estufa.

Valores nominales de la estufa*	Valores nominales del kit de cable de suministro eléctrico y protección del circuito	
120/240 V	120/208 V	Amperios
8,8-16,5 kW	7,8-12,5 kW	40 o 50**
16,6-22,5 kW	12,6-18,5 kW	50

*La carga calculada por el Código eléctrico nacional (NEC) es inferior a la carga conectada total indicada en la placa de modelo/serie/valores nominales.

**Si se conecta a un circuito de 50 A, use un cable clasificado para 50 A con el kit. Para kits de cable clasificados para 50 A, use kits que especifique el uso con una abertura de conexión de 1³/₈" (34,9 mm) de diámetro nominal.

- Si dispone de un suministro eléctrico de 4 hilos, monofásico, de 240 V, 60 Hz, CA únicamente, se requiere una protección mínima del circuito de 40 A en las estufas de 30" (76,2 cm) con fusibles en ambos lados de la línea.
- Se recomienda usar un fusible retardador o un disyuntor.
- Esta estufa está equipada con un cable eléctrico certificado por UL o CSA International que debe enchufar en un tomacorriente de pared 14-50R estándar. Compruebe que el tomacorriente de pared esté cerca de la ubicación definitiva de la estufa.



- No utilice un cable de extensión.
- El diagrama de cableado se encuentra en la parte posterior de la estufa o en una bolsa de plástico transparente.

Requisitos eléctricos – Sólo en Canadá

⚠ **ADVERTENCIA**



Peligro de choque eléctrico

Conecte este aparato con conexión a tierra.

No seguir estas instrucciones podría causar la muerte, un incendio o una descarga eléctrica.

Asegúrese de que la conexión eléctrica y el tamaño del cable sean adecuados y cumplan con el Estándar CSA C22.1, Código Canadiense de Electricidad, Parte 1, (su edición más reciente), y con todos los códigos y las ordenanzas locales.

Puede obtener una copia de los códigos antes indicados en:
Canadian Standards Association
178 Rexdale Blvd.
Toronto, ON M9W 1R3 CANADÁ

- Si no está seguro de que la conexión a tierra de la estufa sea adecuada, verifíquela con un instalador eléctrico competente.

Valores nominales de la estufa*		Valores nominales del kit de cable de suministro eléctrico y protección del circuito
120/240 V	120/208 V	Amperios
8,8-16,5 kW	7,8-12,5 kW	40 o 50**
16,6-22,5 kW	12,6-18,5 kW	50

*La carga calculada por el Código eléctrico nacional (NEC) es inferior a la carga conectada total indicada en la placa de modelo/serie/valores nominales.

**Si se conecta a un circuito de 50 A, use un cable clasificado para 50 A con el kit. Para kits de cable clasificados para 50 A, use kits que especifique el uso con una abertura de conexión de 1³/₈" (34,9 mm) de diámetro nominal.

- Si dispone de un suministro eléctrico de 4 hilos, monofásico, de 240 V, 60 Hz, CA únicamente, se requiere una protección mínima del circuito de 40 A en las estufas de 30" (76,2 cm) con fusibles en ambos lados de la línea.
- Se recomienda usar un fusible retardador o un disyuntor.
- Esta estufa está equipada con un cable eléctrico certificado por UL o CSA International que debe enchufar en un tomacorriente de pared 14-50R estándar. Compruebe que el tomacorriente de pared esté cerca de la ubicación definitiva de la estufa.



- No utilice un cable de extensión.
- El diagrama de cableado está ubicado en la parte posterior de la estufa o en una bolsa de plástico transparente.

INSTALACIÓN

Desembalaje de la estufa

⚠ ADVERTENCIA

Peligro de peso excesivo

Use dos o más personas para mover e instalar o desinstalar el electrodoméstico.

No seguir esta instrucción puede ocasionar lesiones en la espalda o de otro tipo.

1. Retire los materiales de envío, la cinta adhesiva y la película protectora de la estufa. Mantenga la base de cartón debajo de la estufa. No deseche nada hasta que se haya completado la instalación.
2. Retire las parrillas del horno y el paquete de piezas del horno y los materiales de envío.
3. Para retirar la base de cartón, primero tome 4 esquineros de cartón de la caja. Apile un esquinero de cartón sobre el otro. Repita con los otros dos esquineros. Colóquelos a lo largo sobre el piso detrás de la estufa para apoyarla cuando la coloque sobre la parte posterior.

4. Con la ayuda de dos o más personas, aferre la estufa con firmeza y colóquela suavemente sobre su parte posterior encima de los esquineros de cartón.

5. Retire la base de cartón.

Las patas niveladoras se pueden regular mientras la estufa está apoyada sobre la parte posterior. Consulte la sección "Regule las patas niveladoras".

NOTA: para colocar la estufa nuevamente en posición vertical, coloque una hoja de cartón o una madera sobre el piso delante de la estufa para proteger el piso. Con la ayuda de dos o más personas, coloque la estufa de pie nuevamente sobre el cartón o la madera.

Instalación del soporte antivuelco

⚠ ADVERTENCIA



Peligro de vuelco

Un niño o un adulto puede volcar accidentalmente la estufa y resultar muerto.

Instale el soporte antivuelco fijado al piso o a la pared según las instrucciones de instalación.

Deslice la estufa hacia atrás de modo que la pata trasera quede enganchada en la ranura del soporte antivuelco.

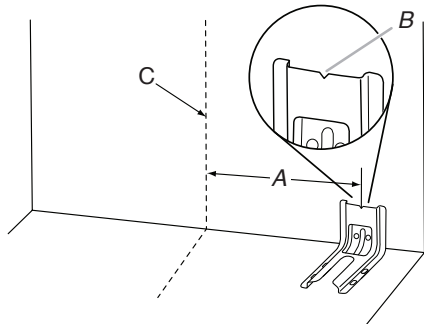
Si traslada de lugar la estufa, vuelva a asegurar el soporte antivuelco.

No ponga a funcionar la estufa sin tener el soporte antivuelco instalado y asegurado.

No seguir estas instrucciones puede ocasionar la muerte o quemaduras graves en niños y adultos.

1. Retire el soporte antivuelco del interior del horno.
2. Decida qué método de montaje usará: en el piso o en la pared.
 - Si tiene piso de piedra o de mampostería, puede usar el método de montaje en la pared. Si instala la estufa en una casa rodante, deberá fijarla al piso.
 - Este soporte antivuelco y los tornillos se pueden usar con vástagos de madera o de metal.

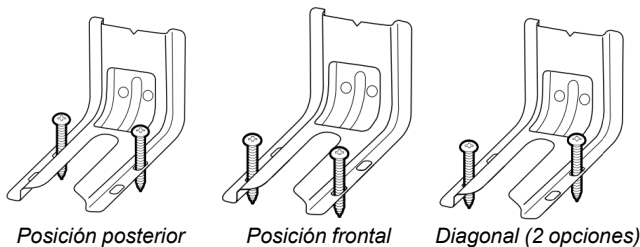
- Determine y marque la línea central del área recortada. Puede instalar el soporte de montaje en el lado izquierdo o derecho del área recortada. Ubique el soporte de montaje contra la pared en el recorte de modo que la muesca en V del soporte esté a 12 1/2" (31,8 cm) de la línea central como se muestra.



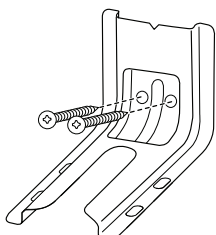
- A. 12 1/2" (31,8 cm)
 B. Muesca en V del soporte
 C. Línea central

- Taladre dos orificios de 1/8" (3 mm) que coincidan con los orificios del soporte para el método de montaje que haya determinado. Vea las ilustraciones a continuación.

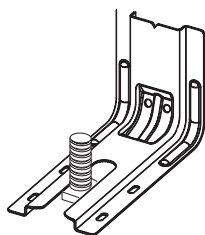
Montaje en el piso



Montaje en la pared



- Use los dos tornillos de cabeza Phillips n.º 10 x 1 5/8" (4.1 cm) suministrados para montar el soporte antivuelco en la pared o en el piso.
- Mueva la estufa lo suficientemente cerca de la abertura como para permitir que se hagan las conexiones eléctricas finales. Retire la base de envío, el cartón o la madera de debajo de la estufa.
- Mueva la estufa a su ubicación final, asegurándose de que la pata niveladora trasera se deslice en el soporte antivuelco.



- Mueva la estufa hacia delante sobre la base de envío, el cartón o la madera para continuar instalándola usando las instrucciones de instalación a continuación.

Regule las patas niveladoras

- Si es necesario regular la altura de la estufa, use una llave o pinzas para aflojar las cuatro patas niveladoras. Esto puede hacerse con la estufa sobre su parte posterior o con la estufa apoyada sobre dos patas después de haberla colocado nuevamente en posición vertical.

NOTA: para colocar la estufa nuevamente en posición vertical, coloque una hoja de cartón o una madera delante de la estufa. Con la ayuda de dos o más personas, coloque la estufa de pie nuevamente sobre el cartón o la madera.

⚠ ADVERTENCIA



Peligro de vuelco

Un niño o un adulto puede volcar accidentalmente la estufa y resultar muerto.

Instale el soporte antivuelco fijado al piso o a la pared según las instrucciones de instalación.

Deslice la estufa hacia atrás de modo que la pata trasera quede enganchada en la ranura del soporte antivuelco.

Si traslada de lugar la estufa, vuelva a asegurar el soporte antivuelco.

No ponga a funcionar la estufa sin tener el soporte antivuelco instalado y asegurado.

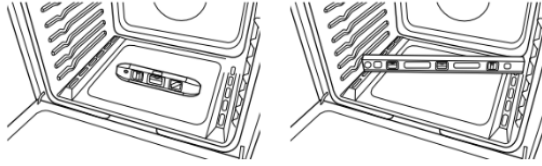
No seguir estas instrucciones puede ocasionar la muerte o quemaduras graves en niños y adultos.

- Mida la distancia desde la parte superior del mostrador hasta el piso.
- Mida la distancia desde la parte superior de la superficie de cocción hasta la parte inferior de las patas niveladoras. La distancia debe ser la misma. De lo contrario, regule las patas niveladoras para corregir la altura. Las patas niveladoras pueden aflojarse para agregar hasta un máximo de 1" (2,5 cm). Se necesita un mínimo de 3/16" (5 mm) para encajar el soporte antivuelco.
- NOTA:** si regula la altura cuando la estufa está de pie, incline la estufa hacia atrás para regular las patas delanteras y, después, inclínela hacia adelante para regular las patas traseras.
- Cuando la estufa esté a la altura correcta, cerciórese de que haya un espacio adecuado debajo de la estufa para el soporte antivuelco. Antes de deslizar la estufa a su ubicación final, verifique que el soporte antivuelco se pueda deslizar debajo de la estufa y sobre la pata niveladora posterior antes de instalar el soporte.

NOTA: si se va a usar un kit de adornos, la parte superior de la superficie de cocción debe estar más alta que el mostrador. Consulte las instrucciones de instalación que se incluyen con el kit de adornos para ver la altura correcta.

Nivelación de la estufa

1. Coloque un nivel sobre el piso del horno, como se indica en una de las dos figuras a continuación, según el tamaño del nivel. Verifique con el nivel de lado a lado y del frente hacia la parte posterior.



2. Si la estufa no está nivelada, use una llave o pinzas para regular las patas niveladoras hacia arriba o hacia abajo hasta que la estufa esté nivelada.

NOTA: La estufa debe estar nivelada para un rendimiento satisfactorio del horneado y resultados óptimos de limpieza con la tecnología autolimpiante AquaLift®.

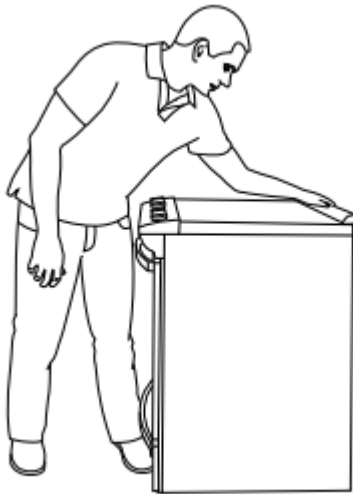
Verifique que el soporte antivuelco esté instalado y enganchado

En estufas con cajón de almacenamiento premium:

1. Deslice la estufa hasta su ubicación final y asegúrese de que la pata niveladora posterior se deslice dentro del soporte antivuelco.
2. Retire el cajón de almacenamiento premium. Consulte la sección "Retire/vuelva a colocar el cajón".
3. Use una linterna para mirar debajo de la parte inferior de la estufa.
4. Verifique visualmente que la pata trasera de la estufa esté insertada en la ranura del soporte antivuelco.

En las estufas con cajón de calentamiento o cajón de horneado:

1. Deslice la estufa hasta su ubicación final y asegúrese de que la pata niveladora posterior se deslice dentro del soporte antivuelco. Deje un espacio de al menos 1" (2,5 cm) entre la parte posterior de la estufa y la pared posterior.
2. Coloque el lado externo del pie contra la parte delantera inferior del cajón de calentamiento o cajón de horneado para impedir que la estufa se mueva; después, aferre la parte trasera de la estufa, como se muestra.



3. Intente inclinar lentamente la estufa hacia delante. Si enseguida siente resistencia, quiere decir que la pata de la estufa está enganchada en el soporte antivuelco. Vaya al paso 8.

4. Si la parte posterior de la estufa se levanta más de 1/2" (1,3 cm) del piso sin resistencia, deje de inclinar la estufa y bájela con suavidad nuevamente al piso. La pata de la estufa no está enganchada en el soporte antivuelco.

IMPORTANTE: Si hay un sonido de estallido o explosión cuando se levanta la estufa, es posible que no esté completamente enganchada en el soporte. Revise si hay obstrucciones que impiden que la estufa se deslice hacia la pared o impiden que la pata de la estufa se deslice en el soporte. Verifique que el soporte se mantenga seguro en el lugar con los tornillos de montaje.

5. Deslice la estufa hacia adelante y verifique que el soporte antivuelco esté fijado firmemente al piso o a la pared.
6. Deslice la estufa hacia atrás de modo que la pata trasera quede insertada en la ranura del soporte antivuelco.
7. Repita los pasos 1 y 2 para cerciorarse de que la pata de la estufa esté enganchada en el soporte antivuelco.
Si la parte posterior de la estufa se separa más de 1/2" (1,3 cm) del piso sin resistencia, es posible que el soporte antivuelco no se haya instalado correctamente. No ponga a funcionar la estufa sin tener el soporte antivuelco instalado y asegurado. Consulte la Guía de inicio rápido para ver la información de contacto.
8. Mueva la estufa a su ubicación final. Para verificar que la estufa esté nivelada, coloque un nivel sobre el piso del horno. Consulte la sección "Nivelación de la estufa".

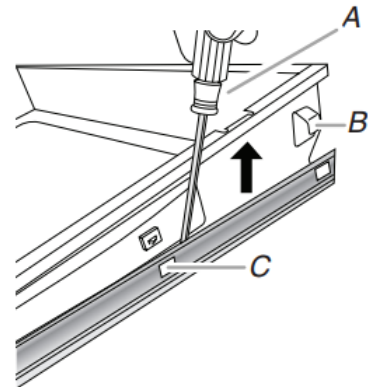
IMPORTANTE: Si la estufa se mueve para regular las patas niveladoras, repita los pasos 1 a 8 para verificar que el soporte antivuelco esté enganchado.

Quite/vuelva a colocar el cajón

Retire todos los elementos que haya dentro del cajón de horneado, el cajón de calentamiento o el cajón de almacenamiento Premium y, después, espere hasta que la estufa se enfríe por completo antes de intentar retirar el cajón.

Para retirar:

1. Abra el cajón por completo.
2. Con un destornillador de cabeza plana, afloje suavemente el cajón de la muesca de alineación deslizante y levante la lengüeta de alineación del cajón de la guía de deslizamiento.

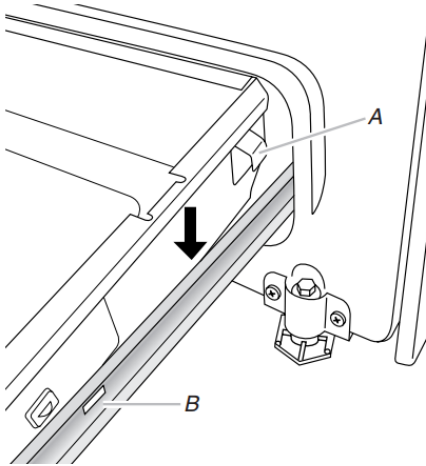


A. Destornillador de cabeza plana
B. Lengüeta de alineación del cajón
C. Muesca de deslizamiento del cajón

3. Repita el paso 2 en el otro lado. El cajón ya no está más sujeto a las guías del cajón. Con ambas manos, tome el cajón para extraerlo completamente.

Para colocar:

1. Alinee las muescas de la parte de adelante del cajón con las muescas en las guías del cajón que hay a ambos lados. Inserte las lengüetas de alineación de la parte trasera en las guías del cajón a ambos lados.



A. Lengüeta de alineación del cajón
B. Muesca de deslizamiento del cajón

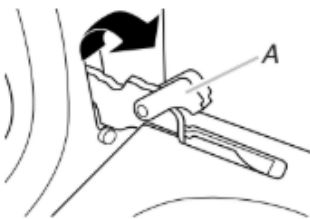
2. Empuje el cajón para introducirlo por completo.
3. Abra y cierre el cajón con cuidado para asegurarse de que esté bien encajado sobre las guías a ambos lados.

Puerta del horno

Para el uso normal de la estufa, se sugiere no retirar la puerta del horno. Sin embargo, si es necesario quitarla, asegúrese de que el horno esté apagado y frío. Después, siga estas instrucciones. La puerta del horno es pesada.

Para retirar:

1. Abra por completo la puerta del horno.
2. Tome la traba de la bisagra con dos dedos y tire hacia adelante. Repita en el otro lado de la puerta del horno.



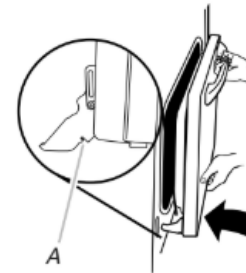
A. Traba de la bisagra

3. Cierre la puerta del horno tanto como sea posible.
4. Levante la puerta del horno sosteniéndola de ambos lados. Continúe empujando la puerta del horno para cerrarla y sáquela del marco de la puerta del horno.



Para colocar:

1. Inserte los dos brazos de suspensión en la puerta. Asegúrese de que las muescas de la bisagra se enganchen en el marco de la puerta del horno.



A. Muesca de bisagra

2. Abra la puerta del horno.
La puerta debe poder abrirse por completo.
3. Mueva las palancas de la bisagra nuevamente a la posición trabada. Verifique que la puerta pueda abrirse y cerrarse libremente y que esté nivelada cuando está cerrada. De lo contrario, repita los procedimientos para retirar y colocar la puerta.

Finalización de la instalación

1. Verifique que todas las piezas estén ahora instaladas. Si sobra alguna pieza, repase todos los pasos para averiguar cuál omitió.
2. Verifique que tenga todas las herramientas.
3. Verifique que tenga todos los accesorios de la estufa, especialmente las parrillas del horno. Puede ser que esos accesorios estén en el empaque de la estufa.
4. Deseche o recicle todo el material de embalaje.
5. Verifique que la estufa esté nivelada. Consulte la sección "Nivelación de la estufa".
6. Use una solución suave de limpiador doméstico líquido y agua tibia para quitar el residuo ceroso que deje el material de embalaje. Seque meticulosamente con un paño suave. Para obtener más información, consulte la sección "Cuidado y mantenimiento de la estufa".
7. Lea la Guía de inicio rápido y la Guía de controles en línea.
8. Enchufe el cable de suministro de energía en el contacto apropiado. Encienda el aparato.
9. Encienda los quemadores de superficie y el horno. Consulte la Guía de inicio rápido y la Guía de controles en línea para obtener instrucciones específicas sobre el funcionamiento de la estufa.

NOTA: Es normal que haya olores y humo cuando el horno se usa las primeras veces.

Si la estufa no funciona, revise lo siguiente:

- Que el fusible de la casa esté intacto y ajustado, o que no se haya disparado el disyuntor.
- Que la estufa esté conectada en un tomacorriente con conexión a tierra.
- Que el suministro eléctrico esté conectado.

IMPORTANTE: Si aparece un código de error "F9" o "F9, E0" en el control de la estufa, es posible que el tomacorriente de la casa esté mal cableado. Desconecte la electricidad y póngase en contacto con un electricista calificado para verificar el suministro eléctrico.

10. Cuando la estufa haya estado encendida durante 5 minutos, verifique que haya calor. Si la estufa está fría, apáguela y póngase en contacto con un electricista competente.

Si necesita ayuda o servicio técnico:

Consulte la Guía de inicio rápido para ver la información de contacto.

Cómo mover la estufa

⚠ ADVERTENCIA



Peligro de vuelco

Un niño o un adulto puede volcar accidentalmente la estufa y resultar muerto.

Instale el soporte antivuelco fijado al piso o a la pared según las instrucciones de instalación.

Deslice la estufa hacia atrás de modo que la pata trasera quede enganchada en la ranura del soporte antivuelco.

Si traslada de lugar la estufa, vuelva a asegurar el soporte antivuelco.

No ponga a funcionar la estufa sin tener el soporte antivuelco instalado y asegurado.

No seguir estas instrucciones puede ocasionar la muerte o quemaduras graves en niños y adultos.

Quando mueva la estufa, deslícela sobre un pedazo de cartón o madera para prevenir que se dañe el revestimiento del piso.

Si es necesario quitar la estufa para limpiar o realizar mantenimiento:

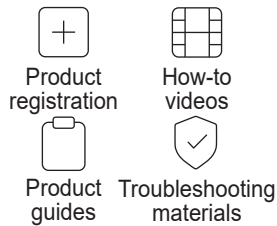
Para estufas conectadas con cable de suministro eléctrico:

1. Deslice la estufa hacia adelante.
2. Desenchufe el cable de suministro eléctrico.
3. Termine la limpieza o el mantenimiento.
4. Enchufe el cable de suministro eléctrico.
5. Verifique que el soporte antivuelco esté instalado y enganchado. Consulte la sección "Verifique que el soporte antivuelco esté instalado y enganchado".
6. Verifique que la estufa esté nivelada.

Guía De Inicio Rápida

REGISTRO DEL PRODUCTO E INFORMACIÓN DEL PROPIETARIO

SU QR DESBLOQUEA



SU CÓDIGO QR DESBLOQUEA... información sobre el registro y la garantía del producto, instrucciones para la instalación, videos explicativos y accesorios adicionales para sacar el máximo partido a su producto. Si compró un aparato inteligente, su código QR le proporcionará instrucciones sobre cómo descargar la aplicación y conectarse. Puede acceder a la instalación completa, mantenimiento e instrucciones de funcionamiento del usuario, detalles de la garantía y otras cosas más al visitar nuestro sitio web en www.kitchenaid.com/owners o www.kitchenaid.ca/owners. Esto le podría ahorrar el costo de una llamada al servicio técnico. Para recibir una copia impresa gratuita de la información en línea, llámenos al **1-800-422-1230** (EE. UU.) / **1-800-807-6777** (Canadá) o escribanos a:

KitchenAid Brand Home Appliances
Customer eXperience Center
553 Benson Road
Benton Harbor, MI 49022-2692

KitchenAid Brand Home Appliances
Customer eXperience Center Unit
200-6750 Century Ave.
Mississauga, Ontario L5N 0B7

Regístrese para que pueda acceder a la información de la garantía y recibir notificaciones importantes relacionadas con su producto. Escanee la tarjeta de registro con fotografía o el código QR para registrar su producto.

INSTRUCCIONES DE FUNCIONAMIENTO

ADVERTENCIA: A fin de reducir el riesgo de incendio, choque eléctrico o lesiones personales, lea las INSTRUCCIONES IMPORTANTES DE SEGURIDAD que se encuentran en el Manual del propietario, antes de usar el electrodoméstico.

Uso del horno

- Step 1.** Seleccione la función del horno.
- Step 2.** Ajuste la temperatura.
- Step 3.** Presione Start (Inicio).
- Step 4.** Coloque los alimentos en el horno una vez que alcance la temperatura deseada. Cierre la puerta del horno.
- Step 5.** (Opcional) Introduzca el tiempo de cocción.
- Step 6.** El botón Cancel (Cancelar) puede usarse para cancelar la función durante el tiempo de cocción o cuando este finalice.

NOTA: Para obtener instrucciones más detalladas sobre las funciones específicas, consulte la Guía de controles en línea.

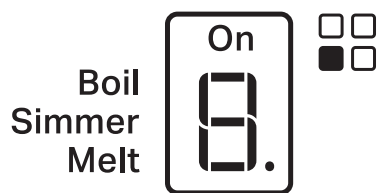
Uso de la estufa

⚠ ADVERTENCIA

Peligro de incendio

Apague todos los controles cuando haya terminado de cocinar.

No seguir esta instrucción puede ocasionar la muerte o incendios.



Para usar, presione Power (Encendido) y toque el área respectiva de la pantalla para encender el elemento de calefacción deseado.



Seleccione un ajuste de calor de "L" (Bajo) a "H" (Alto) tocando o deslizando el control deslizante de encendido.

RECUERDE: Cuando la estufa está en uso, es posible que toda la zona de la superficie de cocción esté caliente.

POSICIÓN DE LAS PARRILLAS Y LOS UTENSILIOS PARA HORNEAR

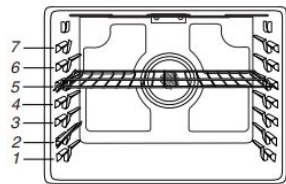
IMPORTANTE: Para evitar daños permanentes en el acabado de porcelana, no coloque alimentos ni utensilios para hornear directamente sobre la puerta o la base del horno.

Parrillas

- Coloque las parrillas antes de encender el horno.
- No coloque parrillas con utensilios para hornear encima.
- Asegúrese de que las parrillas estén niveladas.

Para colocar una parrilla, jálala hasta la posición de tope, levante el borde delantero y luego sáquela. Use como guía la ilustración siguiente.

Para que las hamburguesas tengan un exterior bien dorado y un interior a punto, use una parrilla plana en la posición de parrilla 7. El lado 1 debe cocinarse durante aproximadamente 2 1/2 a 3 1/2 minutos. El lado 2 debe cocinarse durante aproximadamente 4 a 5 minutos. Es normal que haya un grado moderado de humo cuando se asa a la parrilla.



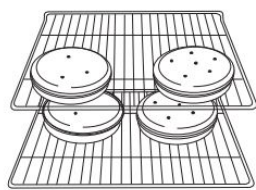
HORNEADO DE GALLETAS Y PASTELES DE CAPAS EN 2 PARRILLAS

Horneado de pasteles de capas

Para obtener resultados óptimos cuando se hornean pasteles en dos parrillas, use la función Bake (Hornear), una parrilla plana en la posición de parrilla 3 y una parrilla extraíble en la posición de parrilla 5. Coloque los pasteles en las parrillas como se muestra. Deje un espacio de al menos 3" (7,6 cm) entre la parte delantera de las parrillas y la parte delantera de los pasteles.

Horneado de galletas

Para obtener resultados óptimos cuando se hornean galletas en dos parrillas, use la función Convection Bake (Hornear por convección), una parrilla plana en la posición de parrilla 3 y una parrilla extraíble en la posición de parrilla 5.



PAPEL DE ALUMINIO

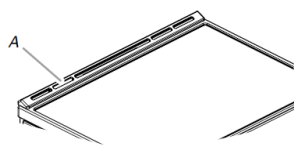
IMPORTANTE: Para evitar daños en el acabado de la base del horno, no la cubra con ningún tipo de papel de aluminio ni revestimiento.

Para obtener resultados de cocción óptimos, no cubra toda la parrilla del horno con papel de aluminio, ya que el aire debe poder circular libremente.

IMPORTANTE: No permita que el papel de aluminio y las sondas para carne entren en contacto con los elementos calentadores.

DUCTO DE VENTILACIÓN DEL HORNO

El ducto de ventilación del horno libera aire caliente y humedad del horno y no debe bloquearse ni taparse. Si bloquea o tapa el ducto de ventilación del horno, se producirá una circulación deficiente de aire que afectará los resultados de la cocción y la limpieza. No coloque objetos de plástico, papel ni otros objetos que puedan o quemarse cerca del ducto de ventilación del horno.



A. Ducto de escape del horno

LUZ DEL HORNO

La luz del horno es un foco halógeno de 40 W. Antes de cambiarla, asegúrese de que el horno y la superficie de cocción estén fríos y que las perillas de control estén en la posición Off (Apagado).

Para reemplazar:

1. Desconecte el suministro eléctrico.
2. Gire en sentido antihorario la cubierta de vidrio del foco en la parte posterior del horno para retirarla.
3. Quite el foco del casquillo.

4. Vuelva a colocar el foco, utilizando un pañuelo de papel o guantes de algodón para manipularlo. Para evitar dañar o disminuir la vida útil del nuevo foco, no lo toque con los dedos descubiertos.
5. Vuelva a colocar la cubierta del foco girando en sentido horario.
6. Reconecte el suministro eléctrico.

IMPORTANTE: No use focos de más de 40 W.

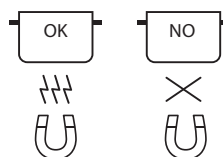
SABBATH MODE (MODO SABBAT):

El Sabbath Mode (Modo Sabbat) programa el horno para que permanezca en el ajuste de hornear hasta que se desconecte.

Para buscar orientación sobre el uso y una lista completa de modelos con el Sabbath mode (Modo Sabbat), visite www.star-k.org o comuníquese con nosotros según la información dada anteriormente.

Utensilios listos para cocción por inducción

OLLAS Y SARTENES



Use solo ollas y sartenes hechas de material ferromagnético, aptas para utilizarse con superficies de cocción por inducción:

- Acero esmaltado.
- Acero fundido
- Acero inoxidable diseñado para superficies de cocción por inducción

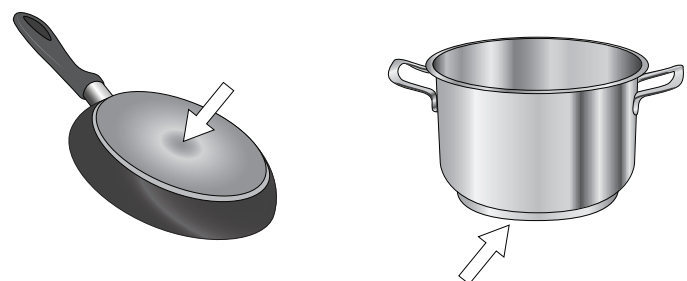
Para determinar si una olla es apta, puede usarse un imán con el objetivo de comprobar si tiene magnetismo.

La calidad y la estructura de la base de la olla pueden alterar el rendimiento de cocción. Algunas indicaciones del diámetro de la base no se corresponden con el diámetro real de la superficie ferromagnética.

Algunas ollas y sartenes solo tienen una parte de su base hecha de material ferromagnético, con partes hechas de otros materiales no aptos para la cocción por inducción. Estas áreas pueden calentarse a diferentes niveles o con temperaturas más bajas. En ciertos casos, cuando la parte inferior está hecha principalmente de materiales no ferromagnéticos, la superficie de cocción podría no reconocer la olla y, por lo tanto, no encender la zona de cocción.



Para garantizar la máxima eficiencia, use siempre ollas y sartenes con una parte inferior plana que distribuya uniformemente el calor. Si la parte inferior no es uniforme, esto afectará la potencia y la conducción del calor.



Ollas vacías o con una base delgada

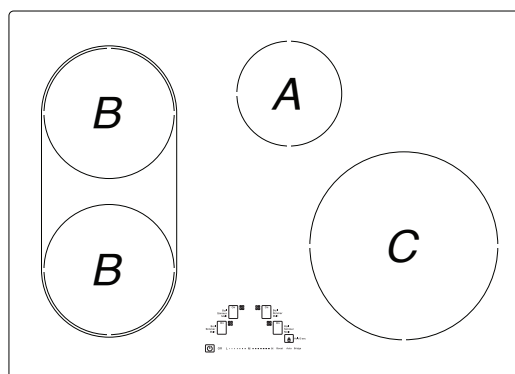
No use ollas y sartenes vacías cuando la superficie de cocción está encendida.

Base de olla/sartén de tamaño adecuado para las distintas áreas de cocción

Para garantizar que la superficie de cocción funcione adecuadamente, use ollas con un diámetro mínimo apto.

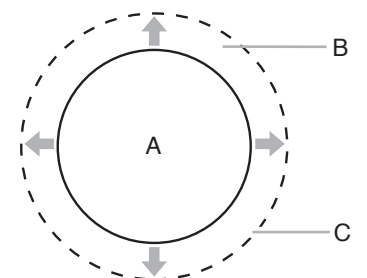
Use siempre la zona de cocción que más se corresponda con el diámetro mínimo de la parte inferior de la olla.

Posicione la olla asegurándose de que esté centrada en la zona de cocción que va a utilizar. Utilice utensilios de cocina que tengan más o menos el mismo tamaño que el área de cocción de la superficie. Los utensilios de cocina no deben extenderse más de 1/2" (1,3 cm) fuera del área.



Diámetros mínimos de olla recomendados

- A. 4 3/4" (12 cm) como mínimo
- B. 5 1/16" (14,5 cm) como mínimo
- C. 7 1/16" (18 cm) como mínimo



- A. Área la superficie de cocción
- B. Utensilios de cocina/instrumentos para enlatado
- C. Saliente máxima de 1/2" (1,3 cm)

Guía De Los Controles

GUÍA DE FUNCIONES

ADVERTENCIA: A fin de reducir el riesgo de incendio, choque eléctrico o lesiones personales, lea las INSTRUCCIONES IMPORTANTES DE SEGURIDAD que se encuentran en el Manual del propietario, antes de usar el electrodoméstico.

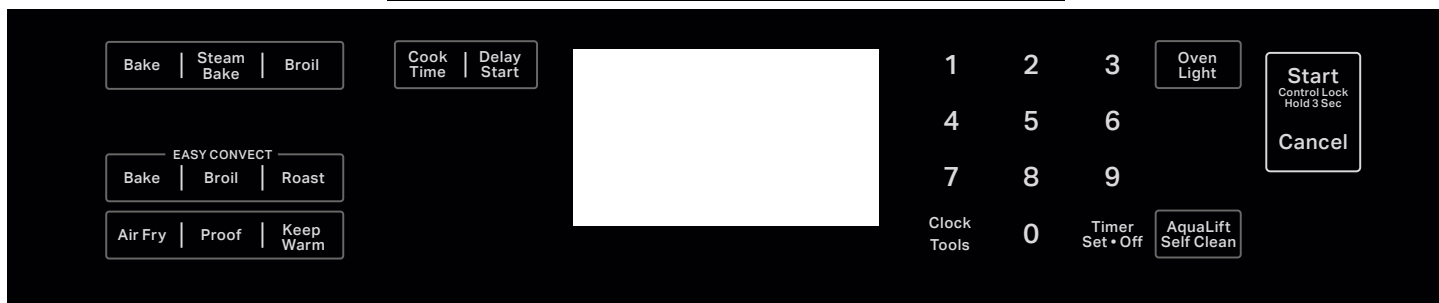
Este manual abarca varios modelos. Su modelo puede contar con algunos o todos los elementos enumerados. Consulte este manual o la sección de Ayuda del producto de nuestro sitio web en www.kitchenaid.com/owners para obtener instrucciones más detalladas. En Canadá, consulte la sección de Ayuda del producto en www.kitchenaid.ca/owners.

⚠ ADVERTENCIA

Peligro de intoxicación alimentaria

No deje sus alimentos en el horno por más de una hora antes o después de su cocción.

No seguir esta instrucción puede ocasionar intoxicación alimentaria o enfermedad.



BOTÓN	FUNCIÓN	INSTRUCCIONES
Clock/Tools (Reloj/Herramientas)	Reloj	<p>Este reloj puede usar un ciclo de 12 o 24 horas. Consulte la sección “Controles electrónicos del horno”.</p> <ol style="list-style-type: none"> 1. Presione Clock/Tools (Reloj/Herramientas) hasta que aparezca en la pantalla “Clock” (Reloj). 2. Utilice los botones numéricos para fijar la hora. 3. Presione Start (Inicio) para cambiar la hora. 4. Presione “3” para AM o “6” para PM.
Clock/Tools (Reloj/Herramientas)	Ajustes	<p>Permite adaptar los tonos audibles y el funcionamiento del horno a sus necesidades. Consulte la sección “Controles electrónicos del horno”.</p>
Clock/Tools (Reloj/Herramientas)	Ahorro de energía	<ol style="list-style-type: none"> 1. Presione Clock/Tools (Reloj/Herramientas) hasta que aparezca en la pantalla “Energy Save” (Ahorro de energía). 2. Aparecerá el ajuste actual. 3. Presione el botón “1” para configurar el ajuste. 4. Presione Cancel (Cancelar) para salir y mostrar la hora del día <p>Si está activado Energy Save (Ahorro de energía), la estufa ingresará en modo de suspensión después de 5 minutos de inactividad. La pantalla se activará al presionar cualquier botón. Si Energy Save (Ahorro de energía) está desactivado, la pantalla permanecerá encendida en todo momento.</p>
Oven Light (Luz del horno)	Luz de la cavidad del horno	<p>La luz del horno se controla con una tecla situada en el panel de control del horno. Con la puerta del horno cerrada, presione Oven Light (Luz de horno) para encender y apagar la luz. Cuando se abre la puerta del horno, la luz del horno se enciende automáticamente.</p>

BOTÓN	FUNCIÓN	INSTRUCCIONES
Timer Set-Off (Ajustar·apagar el temporizador)	Temporizador del horno	<p>El temporizador puede fijarse en horas o minutos, hasta 9 horas y 59 minutos.</p> <ol style="list-style-type: none"> 1. Presione Timer Set-Off (Ajustar·apagar el temporizador). 2. Presione los botones numéricos para fijar la duración del tiempo en hr - hr - min - min. Los ceros a la izquierda no tienen que introducirse. Por ejemplo, para 2 minutos, introduzca "2". 3. Presione Timer Set-Off (Ajustar·apagar el temporizador) para comenzar la cuenta regresiva. Si se activa, sonará un tono al final de la cuenta regresiva. 4. Presione Timer Set-Off (Ajustar·apagar el temporizador) de nuevo para cancelar el temporizador y volver a la hora del día. No presione Cancel (Cancelar) porque el horno se apagará. 5. Si el temporizador está funcionando pero no aparece en la pantalla presione Timer Set-Off (Ajustar·apagar el temporizador) para mostrar en la pantalla la cuenta regresiva durante 5 segundos.
Start (Iniciar)	Inicio de cocción	<p>La tecla Start (Inicio) iniciará cualquier función del horno. Si no se presiona Start (Inicio) en menos de 2 minutos después de haber presionado una tecla, la función se cancelará y la hora del día aparecerá en la pantalla.</p>
Cancel (Cancelar)	Función de la estufa	<p>El botón Cancel (Cancelar) detiene cualquier función del horno apropiado excepto el reloj y el temporizador.</p>
Bake (Hornear)	Hornear y asar	<ol style="list-style-type: none"> 1. Presione Bake (Hornear). 2. Presione los botones numéricos para fijar la temperatura deseada. Si la temperatura que se ingresó no está dentro del rango de temperaturas permitidas, aparecerá la temperatura mínima o máxima permitida. Ingrese una temperatura dentro del rango permitido. 3. Presione Start (Inicio). 4. Para cambiar la temperatura, repita los pasos 2 y 3. 5. Presione Cancel (Cancelar) cuando haya terminado.
Steam Bake (Hornear con vapor)	Hornear con vapor	<ol style="list-style-type: none"> 1. Introduzca la parrilla de vapor con depósito de agua en el horno. 2. Vierta 1 1/2 tazas (350 mL) de agua tibia en el depósito de agua. NOTA: No llene más allá de la marca de máximo MAX. 3. Presione Steam Bake (Hornear con vapor). 4. Presione el botón numérico para seleccionar la opción deseada de alimento. 5. Presione los botones numéricos para fijar la temperatura. 6. Presione Start (Inicio). 7. (Opcional) Presione Cook Time (Tiempo de cocción). Presione los botones numéricos para fijar el tiempo de cocción. 8. Presione Start (Inicio). 9. Introduzca el alimento cuando termine de precalentar. 10. Presione Cancel (Cancelar) cuando haya terminado. NOTA: Deje que el horno se enfríe antes de quitar y vaciar el depósito de agua.
Broil (Asar a la parrilla)	Asar a la parrilla	<ol style="list-style-type: none"> 1. Presione Broil (Asar a la parrilla). 2. Presione los botones numéricos para fijar la temperatura deseada. Si la temperatura que se ingresó no está dentro del rango de temperaturas permitidas, aparecerá la temperatura mínima o máxima permitida. Ingrese una temperatura dentro del rango permitido. 3. Presione Start (Inicio) y deje que el horno se precaliente durante 2 minutos. 4. Para cambiar la temperatura, repita los pasos 2 y 3. 5. Coloque los utensilios de cocina dentro del horno y cierre la puerta del horno. 6. Presione Cancel (Cancelar) cuando haya terminado.
Proof (Leudar)	Cómo leudar pan	<ol style="list-style-type: none"> 1. Coloque la masa preparada en el horno. Presione Proof (Leudar). 2. Presione Start (Inicio). Deje que la masa se esponje hasta que esté casi al doble de su tamaño. El tiempo de leudado puede variar según el tipo y la cantidad de masa. 3. Presione Cancel (Cancelar) cuando termine el leudado. Consulte la sección "Cómo hacer leudar el pan" para obtener más información.

BOTÓN	FUNCIÓN	INSTRUCCIONES
Keep Warm (Mantener caliente)	Mantener caliente	<p>Los alimentos deberán estar a la temperatura para ser servidos antes de colocarlos en el horno calentado.</p> <ol style="list-style-type: none"> 1. Presione Keep Warm (Mantener caliente). 2. Presione los botones numéricos para fijar la temperatura deseada. Si la temperatura que se ingresó no está dentro del rango de temperaturas permitidas, aparecerá la temperatura mínima o máxima permitida. Ingrese una temperatura dentro del rango permitido. 3. Presione Start (Inicio). 4. Presione Cancel (Cancelar) cuando haya terminado.
EASY CONVECT Bake (Hornear por convección fácil)	Cocción por convección	<ol style="list-style-type: none"> 1. Presione EASY CONVECT Bake (Hornear por convección fácil). 2. Presione “1” para que el horno convierta automáticamente la temperatura y el tiempo de horneado por convección. Presione “2” para convertir manualmente la temperatura y el tiempo. 3. Presione los botones numéricos para fijar la temperatura deseada. Si la temperatura que se ingresó no está dentro del rango de temperaturas permitidas, aparecerá la temperatura mínima o máxima permitida. Ingrese una temperatura dentro del rango permitido. 4. Presione Start (Inicio). 5. (Opcional) Presione los botones numéricos para fijar el tiempo de cocción. 6. Presione Start (Inicio). 7. Para cambiar la temperatura, repita los pasos 2 y 3. 8. Presione Cancel (Cancelar) cuando haya terminado.
EASY CONVECT Broil (Asar a la parrilla por convección fácil)	Cocción por convección	<ol style="list-style-type: none"> 1. Presione EASY CONVECT Broil (Asar a la parrilla por convección fácil). 2. Presione “1” para que el horno convierta automáticamente la temperatura y el tiempo de horneado por convección. Presione “2” para convertir manualmente la temperatura y el tiempo. 3. Presione los botones numéricos para fijar la temperatura deseada. Si la temperatura que se ingresó no está dentro del rango de temperaturas permitidas, aparecerá la temperatura mínima o máxima permitida. Ingrese una temperatura dentro del rango permitido. 4. Presione Start (Inicio). 5. (Opcional) Presione los botones numéricos para fijar el tiempo de cocción. 6. Presione Start (Inicio). 7. Para cambiar la temperatura, repita los pasos 2 y 3. 8. Presione Cancel (Cancelar) cuando haya terminado.
EASY CONVECT Roast (Rostizar por convección fácil)	Cocción por convección	<ol style="list-style-type: none"> 1. Presione EASY CONVECT Roast (Rostizar por convección fácil). 2. Presione “1” para que el horno convierta automáticamente la temperatura y el tiempo de horneado por convección. Presione “2” para convertir manualmente la temperatura y el tiempo. 3. Presione los botones numéricos para fijar la temperatura deseada. Si la temperatura que se ingresó no está dentro del rango de temperaturas permitidas, aparecerá la temperatura mínima o máxima permitida. Ingrese una temperatura dentro del rango permitido. 4. Presione Start (Inicio). 5. (Opcional) Presione los botones numéricos para fijar el tiempo de cocción. 6. Presione Start (Inicio). 7. Para cambiar la temperatura, repita los pasos 2 y 3. 8. Presione Cancel (Cancelar) cuando haya terminado.
Delay Start (Inicio diferido)	Delayed start (Inicio diferido)	<p>La tecla Delay Start (Inicio diferido) se utiliza para ingresar la hora en la que se va a iniciar una función del horno con un inicio diferido. El inicio diferido no debe usarse para alimentos como panes y pasteles, ya que es posible que no se horneen correctamente.</p> <p>Para ajustar Timed Cook (Cocción programada) o Delayed Timed Cook (Cocción programada diferida), consulte la sección “Tiempo de cocción”.</p>
Cook Time (Tiempo de cocción)	Timed cooking (Cocción programada)	<p>La función Timed Cooking (Cocción programada) permite programar el horno para que se encienda a una determinada hora del día, cocine durante un tiempo establecido y/o se apague automáticamente.</p> <p>Para ajustar Timed Cook (Cocción programada) o Delayed Timed Cook (Cocción programada diferida), consulte la sección “Tiempo de cocción”.</p>

BOTÓN	FUNCIÓN	INSTRUCCIONES
AquaLift Self Clean (Autolimpieza AquaLift)	Ciclo de limpieza	Consulte la sección "Ciclo de limpieza" en el Manual del propietario.
Start (Inicio) (Control Lock Hold 3 Sec) (Bloqueo de controles presionando 3 segundos)	Bloqueo de controles del horno	<p>Cuando los controles estén bloqueados, no funcionará ningún botón. Las funciones de la superficie de cocción no se ven afectadas por el bloqueo de los controles del horno.</p> <ol style="list-style-type: none"> 1. Verifique que el horno esté apagado. 2. Presione y sostenga el botón Start (Control Lock Hold 3 Sec) (Inicio) (Bloqueo de controles presionando 3 segundos). 3. Sonará un tono y se mostrará "Control Locked" (Bloqueo de controles); luego se mostrará en la pantalla "Locked" (Bloqueado). 4. Repita para desbloquear. Cuando los controles estén bloqueados, no funcionará ningún botón. Las funciones de la superficie de cocción no se ven afectadas por el bloqueo de los controles del horno.
Air Fry (Freír sin aceite)	Freír sin aceite	<ol style="list-style-type: none"> 1. Coloque los alimentos directamente en la cavidad del horno. 2. Presione Air Fry (Freír sin aceite) 3. Ingrese la temperatura deseada usando los botones numéricos. Se escuchará un tono si la temperatura ingresada es muy baja o muy alta. 4. Presione el botón Start (Inicio). No hay precalentamiento ni tono de precalentamiento. 5. Para cambiar la temperatura, repita el paso 2. Presione el botón Start (Inicio). 6. Presione Cancel (Cancelar) cuando haya terminado. <p>NOTA: El ventilador de convección y los elementos del horno se apagarán cuando se abra la puerta del horno hasta que vuelva a cerrarse. Todos los temporizadores, incluidas las funciones activas de Cook Time (Tiempo de cocción) y Timed Cook (Cocción programada), continuarán la cuenta regresiva.</p>

Tecnología de autolimpieza AquaLift®



La tecnología autolimpiante AquaLift® es una solución de limpieza de primera clase diseñada para minimizar el tiempo, la temperatura y los olores que comúnmente conllevan los métodos autolimpiantes tradicionales. Con la tecnología autolimpiante AquaLift®, un revestimiento innovador del interior del horno se activa con calor y agua para aflojar la suciedad quemada adherida. Para usar la tecnología autolimpiante AquaLift®, simplemente repase los restos sueltos, vuelque agua en el piso del horno y haga funcionar el ciclo autolimpiante AquaLift®. Cuando el ciclo finaliza en menos de 1 hora a una temperatura inferior a la de métodos autolimpiantes tradicionales, simplemente recoja el agua restante y los restos sueltos. Para obtener instrucciones más detalladas, consulte la sección "Ciclo de limpieza" en el Manual del propietario. Para información adicional, preguntas frecuentes y videos sobre el uso de la tecnología autolimpiante AquaLift®, visite nuestro sitio web en <http://whirlpoolcorp.com/aqualift>.

Temperatura de la superficie

Cuando la estufa está en uso, todas las superficies pueden calentarse, incluidas las perillas y la puerta del horno.

Cajón de almacenamiento

Cuando el horno está funcionando, es posible que el cajón se caliente. No guarde en el cajón objetos de plástico, paños ni otros objetos que pudieran derretirse o quemarse.

Ducto de ventilación del horno

El ducto de ventilación del horno libera aire caliente y humedad del horno y no debe bloquearse ni taparse. No coloque objetos de plástico, papel ni otros objetos que puedan o quemarse cerca del ducto de ventilación del horno.

Controles electrónicos del horno

Pantalla de control

La pantalla destellará cuando se encienda o después de un corte de corriente. Presione Cancel (Cancelar) para borrarla. Cuando el horno no está en uso, se muestra la hora del día. Si la estufa está en modo Energy Save (Ahorro de energía), la pantalla estará en blanco cuando no esté en uso.

Tonos

Los tonos son señales audibles que indican lo siguiente:

Un tono

- Presión de tecla válida.
- El horno está precalentado (tono largo).
- Se ha introducido una función.
- Señal recordatoria, se repite cada minuto después de los tonos de fin de ciclo.

Tres tonos

- Presión de botón no válido.

Cuatro tonos

- Fin de ciclo.

Use el botón Clock/Tools (Reloj/Herramientas) para cambiar los ajustes de tono.

Ahorro de energía

El modo Energy Save (Ahorro de energía) sitúa la estufa en reposo y reduce el consumo de energía.

Para activar el modo de ahorro de energía:

1. Presione Clock/Tools (Reloj/Herramientas) hasta que aparezca en la pantalla "ENERGY SAVE" (Ahorro de energía).
2. Aparecerá el ajuste actual.
3. Presione el botón "1" para configurar el ajuste.
4. Presione Cancel (Cancelar) para salir y mostrar la hora del día.
5. El ajuste se activará después de 5 minutos.

Para desactivar el modo de ahorro de energía

1. Presione Clock/Tools (Reloj/Herramientas) hasta que aparezca en la pantalla "ENERGY SAVE" (Ahorro de energía).
2. Aparecerá el ajuste actual.
3. Presione el botón "1" para configurar el ajuste.
4. Presione Cancel (Cancelar) para salir y mostrar la hora del día.
5. Aparecerá nuevamente el reloj en la pantalla y podrá usarse la estufa de forma normal.

Settings (Ajustes)

Muchas características del control del horno pueden regularse para satisfacer sus necesidades personales. Estos cambios se realizan con el botón Clock/Tools (Reloj/Herramientas).

Use la tecla Clock/Tools (Reloj/Herramientas) para desplazarse por las funciones que se pueden cambiar. Cada vez que presione la tecla Clock/Tools (Reloj/Herramientas), la pantalla avanzará hasta el próximo ajuste. Después de seleccionar la función que va a cambiar, el control le indicará qué tecla debe presionar. Presione Start (Inicio) o Cancel (Cancelar) para salir y para que se muestre la hora del día. En las secciones que siguen, se explican los detalles de todos los cambios de funciones.

Presione Cancel (Cancelar) para salir de Settings (Ajustes).

Clock (Reloj)

El reloj puede usar un ciclo de 12 o 24 horas.

1. Presione Clock/Tools (Reloj/Herramientas) hasta que aparezca en la pantalla "CLOCK" (Reloj).
2. Utilice los botones numéricos para fijar la hora.
3. Presione Start (Inicio) para cambiar la hora.
4. Presione "3" para AM o "6" para PM.

Fahrenheit and Celsius (Fahrenheit y Celsius)

La temperatura está prefijada en Fahrenheit, pero puede cambiarla a Celsius.

1. Presione Clock/Tools (Reloj/Herramientas) hasta que aparezca en la pantalla "TEMP UNIT" (Unidad de temperatura).
2. Aparecerá el ajuste actual.
3. Presione el botón "1" para configurar el ajuste.
4. Presione Start (Inicio) o Cancel (Cancelar) para salir y para que se muestre la hora del día.

Deshabilitar los tonos audibles

Apaga todos los tonos, incluso el tono de fin de ciclo y los tonos de las teclas. Los tonos recordatorios permanecen activados cuando todos los tonos se han desactivado.

1. Presione Clock/Tools (Reloj/Herramientas) hasta que aparezca en la pantalla "SOUND" (SONIDO).
2. Aparecerá el ajuste actual.
3. Presione el botón "1" para configurar el ajuste.
4. Presione Start (Inicio) o Cancel (Cancelar) para salir y para que se muestre la hora del día.

Volumen de sonido

Fija el volumen del tono como alto o bajo.

1. Presione Clock/Tools (Reloj/Herramientas) hasta que aparezca en la pantalla "SOUND VOLUME" (Volumen de sonido).
2. Aparecerá el ajuste actual.
3. Presione el botón "1" para configurar el ajuste.
4. Presione Start (Inicio) o Cancel (Cancelar) para salir y para que se muestre la hora del día.

Tono de fin de ciclo

Activa o apaga los tonos que se escuchan al final de un ciclo.

1. Presione Clock/Tools (Reloj/Herramientas) hasta que aparezca en la pantalla "END TONE" (Tono de fin).
2. Aparecerá el ajuste actual.
3. Presione el botón "1" para configurar el ajuste.
4. Presione Start (Inicio) o Cancel (Cancelar) para salir y para que se muestre la hora del día.

Deshabilitar los tonos recordatorios

Apaga el tono breve que se repite cada 1 minuto después de los tonos de fin de ciclo.

1. Presione Clock/Tools (Reloj/Herramientas) hasta que aparezca en la pantalla "REMINDER TONE" (Tono recordatorio).
2. Aparecerá el ajuste actual.
3. Presione el botón "1" para configurar el ajuste.
4. Presione Start (Inicio) o Cancel (Cancelar) para salir y para que se muestre la hora del día.

Keypress Tones (Tonos del teclado)

Activa o apaga los tonos que se escuchan cuando se presiona una tecla.

1. Presione Clock/Tools (Reloj/Herramientas) hasta que aparezca en la pantalla "KEYPRESS TONE" (Tono del teclado).
2. Aparecerá el ajuste actual.
3. Presione el botón "1" para configurar el ajuste.
4. Presione Start (Inicio) o Cancel (Cancelar) para salir y para que se muestre la hora del día.

Modo de demostración

IMPORTANTE: Esta función está destinada al uso en el salón de ventas con una conexión eléctrica de 120 V y permite demostrar las características de control sin que se enciendan los elementos calentadores. Si se activa esta característica, el horno no funcionará.

1. Presione Clock/Tools (Reloj/Herramientas) hasta que aparezca en la pantalla "DEMO MODE" (Ahorro de energía).
2. Aparecerá el ajuste actual.
3. Presione el botón "1" para configurar el ajuste.
4. Presione Start (Inicio) o Cancel (Cancelar) para salir y para que se muestre la hora del día.

Apagado después de 12 horas

El control del horno se fija para apagarlo automáticamente 12 horas después de que haya comenzado la función de cocción o de limpieza. Esto no interferirá con ninguna función de cocción programada ni diferida.

1. Presione Clock/Tools (Reloj/Herramientas) hasta que aparezca en la pantalla "12Hr AUTO_OFF" (Apagado después de 12 horas).
2. Aparecerá el ajuste actual.
3. Presione el botón "1" para configurar el ajuste.
4. Presione Start (Inicio) o Cancel (Cancelar) para salir y para que se muestre la hora del día.

Reloj de 12/24 horas

1. Presione Clock/Tools (Reloj/Herramientas) hasta que en la pantalla aparezca "12/24 HOUR" (12/24 horas).
2. Aparecerá el ajuste actual.
3. Presione el botón "1" para configurar el ajuste.
4. Presione Start (Inicio) o Cancel (Cancelar) para salir y para que se muestre la hora del día.

Modo Sabbath (Sabbat)

El modo Sabbath (Sabbat) fija el horno para que permanezca encendido en un ajuste para hornear hasta que se apague.

Cuando se fije el modo Sabbath (Sabbat), solamente funcionará el ciclo Bake (Hornear). Todos los demás ciclos de cocción y limpieza estarán deshabilitados. No sonará ningún tono y la pantalla no indicará los cambios de temperatura.

Cuando se abra o se cierre la puerta del horno, la luz no se encenderá ni apagará y los elementos calentadores no se encenderán ni apagará de inmediato.

Para activar la función del modo Sabbath (Sabbat) (solo una vez):

1. Presione Clock/Tools (Reloj/Herramientas) hasta que aparezca en la pantalla "SABBATH" (Sabbat).
2. Aparecerá el ajuste actual.
3. Presione el botón "1" para configurar el ajuste.
4. Presione Start (Inicio) o Cancel (Cancelar) para salir y para que se muestre la hora del día.

Idiomas - Texto que se desliza en la pantalla

Las opciones de idioma son inglés, español y francés.

1. Presione Clock/Tools (Reloj/Herramientas) hasta que aparezca en la pantalla "LANGUAGE" (Idioma).
2. Aparecerá el ajuste actual.
3. Presione las teclas "1" o "2" para seleccionar el idioma.
4. Presione Start (Inicio) o Cancel (Cancelar) para salir y para que se muestre la hora del día.

Control de compensación de la temperatura del horno

IMPORTANTE: No use un termómetro para medir la temperatura del horno. Los elementos se encenderán y se apagarán según sea necesario para mantener una temperatura uniforme, pero es posible que funcione en algún momento ligeramente caliente o frío a causa de este ciclo. La mayoría de los termómetros son lentos para reaccionar a los cambios de temperatura y no brindarán una lectura precisa a causa de este ciclo.

El horno proporciona temperaturas exactas; sin embargo, es posible que cocine más rápido o más despacio que su horno anterior, de manera que se puede ajustar la temperatura para adecuarla a sus necesidades de cocción. Puede cambiarse a Fahrenheit o a Celsius.

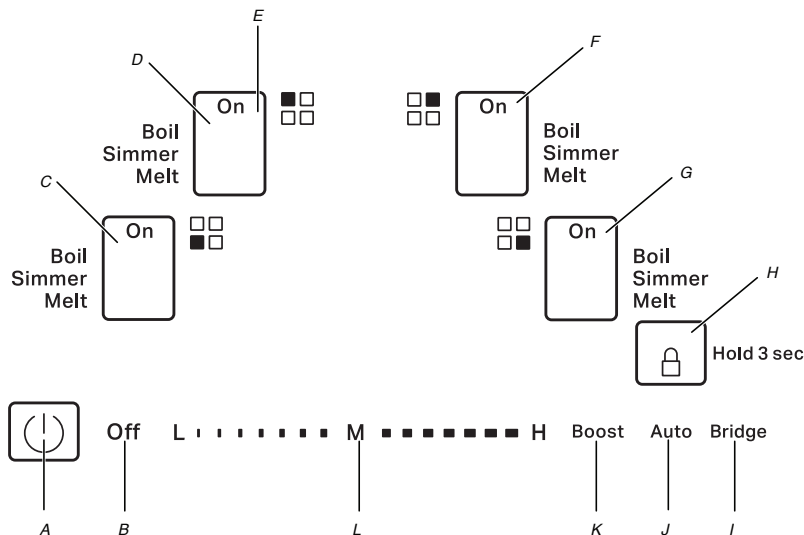
Para ajustar la temperatura del horno:

1. Presione Clock/Tools (Reloj/Herramientas) hasta que aparezca en la pantalla "TEMP CALIB" (Ahorro de energía).
2. En algunos modelos, presione "1" para ajustar la temperatura del cajón. Presione Start (Inicio), espere 10 segundos hasta que cambie la pantalla, y continúe con el paso 3.

O BIEN

- Presione Start (inicio) para ajustar la calibración de la temperatura del horno. Espere 10 segundos hasta que cambie la pantalla y continúe con el paso 3.
3. Presione el botón "3" para aumentar la temperatura en incrementos de 5 °F (3 °C), o presione el botón "6" para disminuir la temperatura en incrementos de 5 °F (3 °C). La escala de desviación es de -30 °F a +30 °F (de -18 °C a +18 °C).
 4. Presione Start (Inicio) o Cancel (Cancelar) para salir y para que se muestre la hora del día.

Uso de la superficie de cocción



- A. Encendido de la superficie de cocción
- B. Apagado del área de la superficie de cocción
- C. Pantalla del área de la superficie de cocción delantera izquierda
- D. Pantalla del área de la superficie de cocción posterior izquierda
- E. Pantalla de nivel de calor
- F. Pantalla del área de la superficie de cocción posterior derecha
- G. Pantalla del área de la superficie de cocción delantera derecha
- H. Control Lock (Bloqueo de controles)
- I. Bridge (Punto)
- J. Auto (Automático)
- K. Boost (Aumentar)
- L. Control deslizante del nivel de calor

Cocción por inducción

La cocción por inducción es bastante diferente de la cocción tradicional. El calor se genera directamente en el recipiente, manteniendo la superficie de cocción más fría que con un elemento tradicional.

Con la cocción por inducción, no se pierde tanto calor como con la cocción tradicional, ya que todo el calor se origina en el recipiente mismo.

La superficie de cocción se calienta o se enfría rápidamente después de que se hayan fijado los controles. Asimismo deja de calentarse cuando se saca el recipiente sin apagar el aparato.

El alimento que se derrame sobre la superficie de cocción no se quemará, ya que el vidrio no se calienta. Debido a que el calor se origina en el recipiente, la cocción por inducción permite la limpieza inmediata después del uso.

El tamaño del recipiente, el material (consulte la sección "Utensilios de cocina") y la posición son factores muy importantes para lograr la energía máxima.

El diámetro de la base del recipiente deberá ser igual al tamaño del elemento.

Si el recipiente es demasiado pequeño, el quemador no lo detectará y no se activará.

Controles de la superficie de cocción

⚠ ADVERTENCIA

Peligro de incendio

Apague todos los controles cuando haya terminado de cocinar.

No seguir esta instrucción puede ocasionar la muerte o incendios.

Los controles electrónicos activados al tacto ofrecen una variedad de ajustes de calor para obtener óptimos resultados de cocción.

NOTA: Esta superficie de cocción se ajustará automáticamente para funcionar a 208 V en el caso de que no haya una instalación de 240 V.

Cómo usar

Cómo encender la superficie de cocción:

1. Toque el botón Power (Encendido)


La luz indicadora sobre el teclado de encendido de la estufa y un punto (".") en cada área de cocción de la superficie parpadearán para indicar que la estufa está encendida.

Si no hay actividad durante 20 segundos después de que se haya activado el encendido de la superficie de cocción, esta se apagará automáticamente.

Cómo encender un área de cocción de la superficie:

NOTA: Los utensilios de cocina deben detectarse en el área de cocción antes de que ésta se encienda. La pantalla para esa área de cocción mostrará cero una vez que se detecte un recipiente. Si hay un utensilio de cocina en un área de cocción y ésta no está encendida, el usuario puede escuchar un chasquido mientras el quemador continúa detectando un utensilio de cocina.

2. Toque directamente el área de la pantalla de la superficie de cocción que desee usar. Consulte C, D, F y G de la ilustración anterior.
3. Seleccione una configuración de calor de "L" (Bajo) a "H" (Alto) en el control deslizante de nivel de calor tocando/deslizándolo el control deslizante de potencia. El ajuste de calor aparecerá en la pantalla del área de cocción de la superficie.

NOTA: Si se retiran los utensilios del área durante la cocción, el área de cocción se apagará y se mostrará el indicador  en el área de visualización respectiva. Si los utensilios de cocina no se vuelven a colocar en el área de cocción en 30 segundos, el área de cocción se apagará automáticamente.

El control deslizante de potencia consta de 9 posiciones más una posición de "Boost" (Aumentar). Cuando el usuario se deslice a "L" (Bajo), se mostrará "0". El área de la superficie de cocción no se enciende, pero permanece activa/seleccionada.

Use la tabla siguiente como guía cuando ajuste los niveles de potencia.

Ajuste	Uso recomendado
9 a Boost (Aumentar)	■ Hervir líquidos.
9	■ Empezar a cocinar alimentos.
7 a 8	■ Dorar o sellar alimentos rápidamente.
6 a 7	■ Mantener un hervor rápido.
5 a 6	■ Freír aves o carne. ■ Cocinar sopas, salsas y salsas de carne.
4 a 5	■ Mantener un hervor lento. ■ Guisar o cocinar alimentos al vapor.
3 a 5	■ Cocer a fuego lento.
1 a 2	■ Mantener los alimentos cocidos calientes. ■ Derretir chocolate o mantequilla.
Simmer (Cocer a fuego lento)	■ Mantener un hervor lento.

Modo Auto (Automático)

Para usar:

Para encender:

1. Verifique que se haya seleccionado un área de la superficie de cocción.
2. Toque Auto (Automático) para alternar y seleccionar entre las funciones Melt (Derretir), Simmer (Cocer a fuego lento) y Boil (Hervir). Se encenderá "-" a un lado de la función seleccionada.

Cuando se derritan alimentos tales como chocolate o mantequilla, el área de cocción de la superficie se puede ajustar en la función Melt (Derretir) para que funcione con la como mínimo nivel de potencia. De igual manera, las funciones Simmer (Cocer a fuego lento) y Boil (Hervir) pueden utilizarse según se requiera.

Para apagar:

Toque el botón Off (Apagado) del área de la superficie de cocción.

Modo Boost (Aumentar)

Para una operación de nivel máximo de potencia, todos los controles electrónicos activados por contacto de la superficie de cocción se pueden configurar en la función Performance Boost (Aumentar rendimiento) cuando hierve líquidos rápidamente. Seleccione el área de cocción de la superficie deseada y luego toque "Boost" (Aumentar) en el control deslizante del nivel de calor para alcanzar inmediatamente la configuración más alta.

NOTA: Este modo se puede usar en un área de cocción del lado izquierdo y en un área de cocción del lado derecho simultáneamente o se puede usar en cualquier área de cocción. La zona o zonas de cocción pueden funcionar en este modo durante un máximo de 10 minutos.

Indicador de superficie caliente

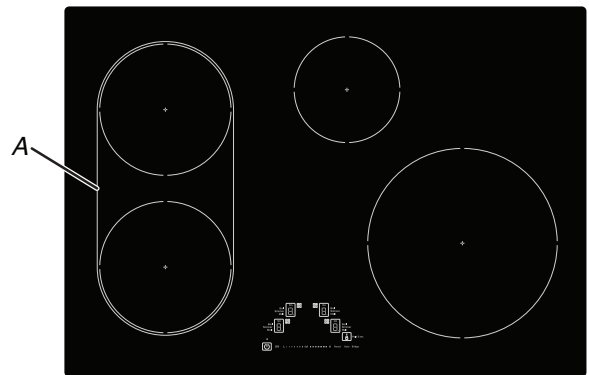
Aparecerá una "H" en la pantalla de ajuste de calor de una superficie de cocción.

Puente

La función Bridge (Puente) le permite utilizar 2 zonas de cocción como una zona de cocción extragrande. Use la zona del puente para crear una zona de calentamiento alargada que permite cocinar con recipientes grandes u oblongos.

Para encender el Puente:

1. Coloque un utensilio de cocina oblongo en la zona de puente.



A. Zona de puente

2. Toque POWER (Iniciar). Se encenderá la superficie de cocción.
3. Toque Bridge (Puente)

Los niveles de ajustes de calor para las 2 áreas de superficie de cocción izquierdas estarán por defecto en "0" y pueden fijarse desde un mínimo de "1" a un máximo de "9".

4. Deslice un dedo sobre control deslizante del nivel de calor para aumentar o disminuir el nivel de intensidad.

El nivel de calor seleccionado mostrará en pantalla el nivel de calor para cada área de la superficie de cocción usada para el puente.

Para apagar la función Puente:

1. Toque Bridge (Puente).

Las áreas de la superficie de cocción reanudarán el funcionamiento como 2 áreas separadas.

NOTA: Performance Boost (Aumentar el rendimiento) no puede usarse con los mismos elementos en combinación con la función Bridge (Puente).

Control Lock (Bloqueo de controles) Hold 3 sec

Mantenga presionado el botón de bloqueo de controles durante 3 segundos para bloquear los controles de la estufa.

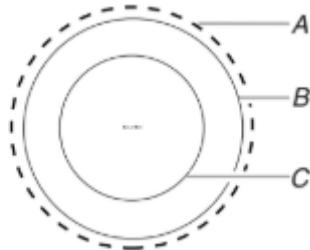
Mantenga presionado el botón de bloqueo de controles nuevamente durante 3 segundos para desbloquear los controles de la estufa.

Vitrocerámica

Limpie la superficie de cocción después de cada uso para evitar rayaduras, picaduras y abrasiones, y para acondicionar la superficie de vidrio. También se recomienda el uso de un limpiador y raspador de superficies de cocción de vitrocerámica para eliminar las manchas rebeldes. No use limpiadores o almohadillas de limpieza abrasivas ni productos químicos agresivos para la limpieza. El kit para el cuidado de la superficie de cocción, número de referencia 31605, contiene todos los artículos necesarios para limpiar y acondicionar la superficie de cocción de vitrocerámica. Consulte la sección "Mantenimiento y cuidado de la estufa" en el Manual del propietario para obtener información adicional.

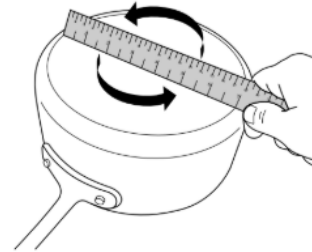
IMPORTANTE: Para evitar daños permanentes en la superficie de cocción y para poder quitar la suciedad con más facilidad, límpiela después de cada uso.

- Evite almacenar tarros o latas sobre la superficie de cocción. Si un objeto pesado o duro se cae sobre la superficie de cocción podría rajarla.
- Para evitar daños, nunca deje una tapa caliente sobre la superficie de cocción. A medida que se enfría la superficie de cocción, puede quedar aire atrapado entre la tapa y esta, y la vitrocerámica podría romperse al retirar la tapa.
- En caso de alimentos que contengan cualquier clase de azúcar, limpie todos los derrames y las manchas lo antes posible. Espere a que la superficie de cocción se enfríe ligeramente. Luego, con guantes para horno, limpie los derrames mientras la superficie aún está tibia. Si se dejan enfriar derrames azucarados, se pueden adherir a la superficie de cocción y causar picaduras y marcas permanentes.
- Para evitar rayaduras, no deslice utensilios de cocina o para hornear sobre la superficie de cocción.
- Para evitar que se dañe la superficie de cocción, no deje que los objetos de materiales que pueden derretirse, como plástico o papel aluminio, toquen alguna parte de la superficie de cocción.
- Para evitar que se dañe la superficie de cocción, no la use como tabla para cortar.
- Utilice utensilios de cocina que tengan más o menos el mismo tamaño que el área de cocción de la superficie. Los utensilios de cocina no deben extenderse más de 1/2" (1,3 cm) fuera del área. También se señala el tamaño mínimo de recipiente en la superficie de cocción con el anillo interno, si corresponde.



- A. Saliente máximo de 1/2" (1,3 cm)
- B. Borde exterior de la superficie de cocción
- C. Tamaño mínimo del recipiente, si corresponde

- Use utensilios de cocina de fondo plano para una conducción óptima del calor y un consumo eficiente de la energía. Los utensilios de cocina con fondos redondeados, combados, con relieve o abollados podrían causar calentamiento desparejo y resultados de cocción poco satisfactorios.
- Para determinar si un fondo está plano, coloque el borde recto de una regla a lo largo del fondo del utensilio de cocina. Mientras rota la regla, no debe verse espacio ni luz entre la regla y el utensilio de cocina.



- Para determinar el recipiente que utilizará en los elementos de inducción, mida la parte inferior del área plana de su recipiente. No incluya los lados si se curvan hacia arriba. Utilice esta medida para ayudarle a decidir cuál elemento de inducción se ajusta mejor a su recipiente. Las medidas del fabricante que se mencionan en los recipientes normalmente corresponden a la dimensión de la apertura superior. La parte inferior plana puede ser más pequeña.
- Asegúrese de que el fondo de las ollas y las cacerolas esté limpio y seco antes de usar los utensilios. El agua y los residuos pueden dejar depósitos al calentarse.

Envasado casero

El envasado puede hacerse sobre la superficie de cocción por inducción. Consulte la sección "Utensilios de cocina" para verificar si el recipiente para envasado es apto para la superficie de cocción. Cuando esté haciendo envasados por periodos largos, alterne y use las áreas o los elementos de cocción de la superficie entre una tanda y otra. Esto da tiempo para que se enfríen las áreas que se han usado recientemente.

- Centre el envasador sobre el área o elemento de cocción más grande de la superficie. En las superficies de cocción eléctrica, los enlatadores no deben extenderse más de 1/2" (1,3 cm) por fuera de la zona o del elemento de la superficie de cocción.
- No coloque el envasador sobre dos áreas o elementos de las áreas de cocción al mismo tiempo.
- En los modelos con vitrocerámica, use solamente envasadores con la base plana para evitar que se dañen la superficie de cocción y los elementos.
- Para obtener más información comuníquese con la oficina de extensión del departamento de agricultura local o consulte guías para envasado casero publicadas. También pueden ofrecer ayuda las empresas que fabrican productos para enlatado casero.

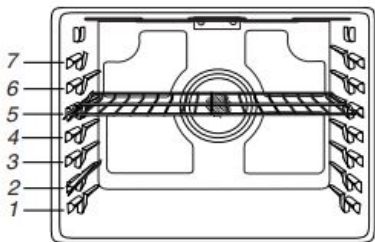
USO DEL HORNO

Los olores y el humo son normales cuando el horno se usa las primeras veces o cuando tiene suciedad profunda.

IMPORTANTE: La salud de algunas aves es sumamente sensible a los gases emanados. La exposición a las emanaciones puede ocasionar la muerte de ciertas aves. Siempre traslade las aves a otra habitación cerrada y bien ventilada.

POSICIÓN DE LAS PARRILLAS Y LOS UTENSILIOS PARA HORNEAR

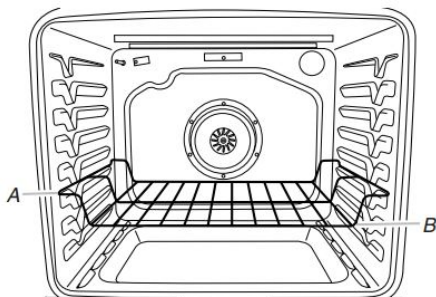
Para colocar una parrilla, retírela hasta la posición de tope, levante el borde delantero y luego sáquela. Use como guía la ilustración y la tabla a continuación.



El horno tiene 7 posiciones para una parrilla plana, como se muestra en la ilustración anterior y en la tabla a continuación.

Posición de parrilla plana	Tipo de alimento
7	Carnes para asar a la parrilla/dorar rápidamente, hamburguesas y bistecs
6	Carnes, pollo y pescado asados a la parrilla
4	Canasta para freír sin aceite
3	La mayoría de los alimentos horneados, estofados
2	Carnes asadas
1	Asados o aves grandes

IMPORTANTE: Si su modelo tiene una parrilla de máxima capacidad, los extremos en relieve deberán colocarse en la posición de parrilla por encima de la posición deseada para el alimento. Vea la siguiente ilustración.



A. Extremos de la parrilla en la posición 3
B. Alimento en la posición 2

IMPORTANTE: Estas posiciones de parrilla son para las parrillas planas. Si se usa una parrilla de horno de máxima capacidad, la posición de la parrilla debe ajustarse como se muestra en la figura anterior.

Cocción en varias parrillas

2 parrillas (sin convección): Use las posiciones de parrilla 2 y 5 o 3 y 6.

2 parrillas (con convección): Use las posiciones de parrilla 2 y 5 o 3 y 6.

3 parrillas (con convección): Use las posiciones de parrilla 2 y 7, y una parrilla de horno de máxima capacidad en la posición de parrilla 5.

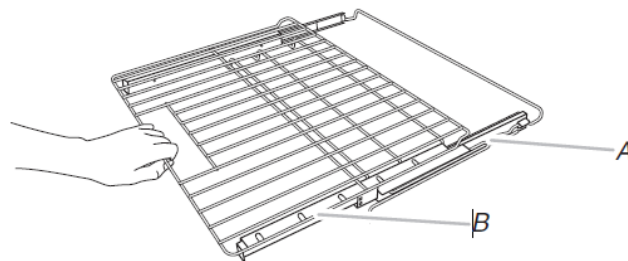
Utensilios para hornear

Para una cocción uniforme, el aire caliente debe poder circular. Deje 2" (5 cm) libres alrededor del utensilio para hornear y las paredes del horno. Asegúrese de que ningún utensilio para hornear esté directamente encima de otro.

Parrilla extraíble

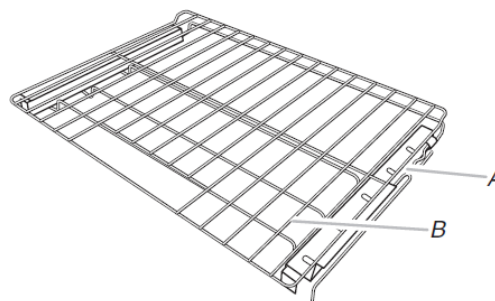
La parrilla extraíble permite un acceso fácil para colocar y quitar alimentos del horno. No se recomienda usar una parrilla extraíble en la parrilla superior, posición 7, o en la parrilla inferior, posición 1.

Posición abierta



A. Marco de la parrilla
B. Parrilla deslizable

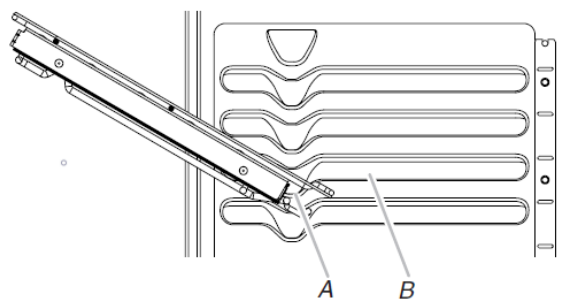
Posición cerrada y enganchada



A. Marco de la parrilla
B. Parrilla deslizable

Cómo insertar la parrilla extraíble

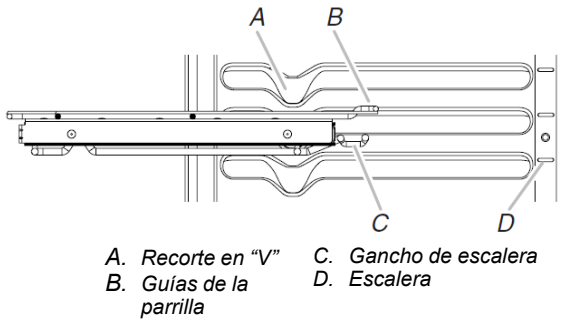
1. Levante el frente del conjunto de la parrilla y luego inserte el marco de la parrilla en el recorte en "V" en las guías de la parrilla de la cavidad del horno.



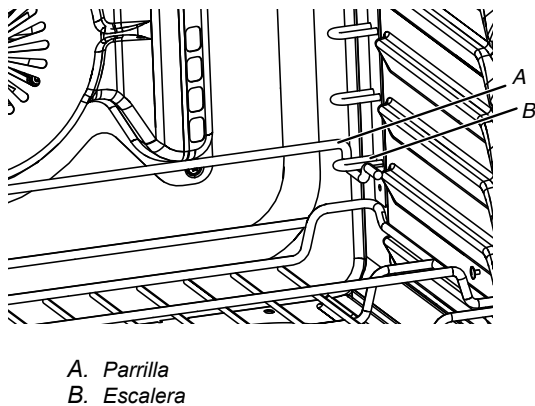
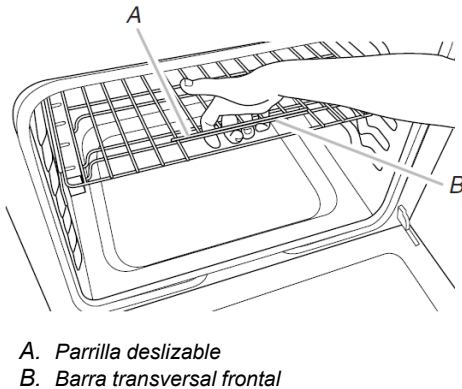
A. Recorte en "V"
B. Guías de la parrilla

2. Mantenga levantado en ángulo el conjunto de la parrilla y luego empuje hacia adentro hasta pasar el recorte inferior en "V".

- Baje el frente del conjunto de la parrilla y deslícelo suavemente en el horno, pasando los recortes en "V". Empuje el conjunto de la parrilla adentro del horno hasta que se detenga en la escalera de la parte posterior del horno.



- Alcance la parrilla para agarrar la parrilla deslizante y la barra transversal frontal. Levante la parte frontal del conjunto de la parrilla y empuje el conjunto hacia la parte posterior del horno. Baje la parte frontal del conjunto de la parrilla para que el gancho de la escalera encaje con la escalera a ambos lados del horno.



Cómo quitar la parrilla extraíble

- Empuje la parrilla deslizante completamente de modo que quede en la posición cerrada y enganchada.
- Alcance la parrilla para agarrar la parrilla deslizante y la barra transversal frontal. Levante la parte frontal del conjunto de la parrilla para que el gancho de la escalera se desenganche de las escaleras de la parte trasera del horno y jale el conjunto de la parrilla hacia adelante.
- Jale suavemente con las dos manos la parrilla deslizante y el marco de esta, a la misma vez, hasta el recorte en "V". Levante la parrilla en ángulo de modo que la parte frontal quede más alta que la parte posterior; jale suavemente la parrilla hasta pasar el recorte en "V" y luego sáquela del horno.

Para evitar que se dañen las parrillas deslizables, no coloque más de 25 lb (11,4 kg) de peso sobre la parrilla.

No lave la parrilla extraíble en el lavavajillas. Puede quitar el lubricante de la parrilla y afectar su capacidad de deslizamiento.

Para obtener más información, consulte la sección "Limpieza general" del Manual del propietario.

Modo Sabbath (Sabbat)

El modo Sabbath (Sabbat) fija el horno para que permanezca encendido en un ajuste para hornear hasta que se apague.

Cuando se fije el modo Sabbath (Sabbat), solamente funcionará el ciclo Bake (Hornear). Todos los demás ciclos de cocción y limpieza estarán deshabilitados. No sonará ningún tono y la pantalla no indicará los cambios de temperatura.

Cuando se abra o se cierre la puerta del horno, la luz no se encenderá ni apagará y los elementos calentadores no se encenderán ni apagaran de inmediato.

Para activar la función del modo Sabbath (Sabbat) (solo una vez):

- Presione Clock/Tools (Reloj/Herramientas) hasta que aparezca en la pantalla "SABBATH" (Sabbat). "OFF. Press (1) for On" (Apagado. Presione [1] para On [Encendido]) se mostrará en la pantalla.
- Presione el botón "1". "ON. Press (1) for Off" (Encendido. Presione [1] para Off [Apagado]) y podrá avanzar en la pantalla. Puede activarse el modo Sabbath (Sabbat) para hornear.
- Presione Start (Inicio) o Cancel (Cancelar) para salir y para que se muestre la hora del día.

NOTA: Para desactivar el modo Sabbath (Sabbat), repita los pasos 1 al 3 para cambiar el estado de "SABBATH ON" (Sabbat activado) a "SABBATH OFF" (Sabbat desactivado).

Para activar el modo Sabbath (Sabbat):

- Presione Bake (Hornear) en el horno que desee.
 - Presione el teclado numérico para fijar una temperatura diferente de 350 °F (177 °C).
 - Presione Start (Inicio).
- Para la cocción programada en modo Sabbath (Sabbat), presione Cook Time (Tiempo de cocción) y luego los botones numéricos para fijar el tiempo de cocción deseado.
- Presione Clock/Tools (Reloj/Herramientas). Sonarán tres tonos. Luego presione "7". Aparecerá "SAb" (Sabbat) en la pantalla.

Para ajustar la temperatura (cuando el modo Sabbath [Sabbat] está funcionando):

- Presione el botón numérico según se indique en el texto en la pantalla para seleccionar una nueva temperatura.

NOTA: El ajuste de temperatura no aparecerá en la pantalla. El texto que se desplaza aparecerá en la pantalla como estaba antes de presionarse el botón.

- Presione Start (Inicio).

Para desactivar el modo Sabbath (Sabbat):

Presione Clock/Tools (Reloj/Herramientas) y luego "7" para volver al horneado normal o presione Cancel (Cancelar) para el horno deseado y la apagará.

NOTA: Los tonos no sonarán mientras se desactiva el modo Sabbath (Sabbat).

Hornear y asar

Pre calentamiento

Cuando comience un ciclo Bake (Hornear), Convect Bake (Hornear por convección) o Convect Roast (Asar por convección), el horno empezará a pre calentarse después de que se presione el botón Start (Inicio). El horno tardará de 12 a 15 minutos aproximadamente para alcanzar 350 °F (177 °C) con todas las parrillas de horno provistas con el horno dentro de la cavidad. Cuanto mayor sea la temperatura, más tiempo tomará pre calentarse el horno. El ciclo de pre calentamiento aumenta rápidamente la temperatura del horno. La temperatura real del horno superará la temperatura fijada para compensar la pérdida de calor cuando se abra la puerta del horno para introducir los alimentos. Esto asegura que el horno comience a la temperatura correcta cuando se coloquen los alimentos en el horno. Introduzca los alimentos cuando suene el tono de pre calentamiento. No abra la puerta durante el pre calentamiento, antes de que suene el tono.

Temperatura del horno

Mientras estén en uso, los elementos del horno se encenderán y se apagarán según sea necesario para mantener una temperatura constante, pero es posible que se tornen ligeramente calientes o fríos a causa del encendido y apagado. Si se abre la puerta del horno mientras se encuentra en uso, saldrá el aire caliente y el horno se enfriará, lo que podría afectar el tiempo y el rendimiento de la cocción. Se recomienda usar la luz del horno para controlar el progreso de la cocción.

NOTA: En los modelos con convección, el ventilador de convección puede funcionar en el modo de horneado sin convección para mejorar el rendimiento del horno.

Temperature Management System (Sistema de control de temperatura)

El sistema de control de temperatura regula electrónicamente los niveles de calor del horno durante el pre calentamiento y el horneado para mantener una temperatura precisa y obtener resultados de cocción óptimos. Los elementos o quemadores de horneado y asado a la parrilla se encienden y apagan a intervalos. En los modelos de cocina con convección, el ventilador funcionará durante el pre calentamiento y es posible que se encienda y apague durante intervalos breves durante el horneado para producir resultados óptimos. Esta función se activa automáticamente cuando el horno está en uso.

Antes de hornear o asar, coloque las parrillas de acuerdo con lo especificado en la sección "Posición de las parrillas y los utensilios para hornear". Para asar, no es necesario esperar a que termine el ciclo de pre calentamiento del horno antes de colocar los alimentos, a menos que la receta de cocina lo recomiende.

Steam Bake (Hornear con vapor)

La función Steam Bake (Hornear con vapor) funciona junto con la parrilla de vapor para proporcionar mayor humedad durante el horneado. La parrilla de vapor tiene un depósito de agua que se calienta y libera vapor dentro de la cavidad del horno durante el ciclo Steam Bake (Hornear con vapor). Se pueden elegir 3 opciones preprogramadas para alimentos: Breads (Panes), Desserts (Postres) y Fish (Pescados), así como una opción Refresh/Reheat (Reacondicionar/Recalentar).

Para un mejor rendimiento, coloque la parrilla de vapor en la posición más baja disponible en la cavidad y vierta 1 1/2 tazas (350 ml) de agua en el depósito. No llene más allá del nivel indicado MAX en el depósito.

Una vez completo el ciclo de horneado con vapor, es posible que quede algo de agua en el depósito. Esto es normal. Espere hasta que el horno se enfríe y deseche el agua.



A. Parrilla de vapor
B. Depósito de agua

Broiling (Asar a la parrilla)

Cuando ase a la parrilla, pre caliente el horno durante 2 minutos antes de colocar los alimentos, a menos que se recomiende otra cosa en la receta. Coloque el alimento sobre la rejilla en un recipiente para asar y sitúela en el centro de la parrilla del horno.

IMPORTANTE: Cierre la puerta para garantizar una temperatura adecuada para asar a la parrilla.

Para obtener un control más preciso al cocinar a la parrilla, cambie la temperatura mientras esté asando a la parrilla. Cuanto más bajo sea el ajuste de temperatura, más lenta será la cocción. Los cortes más gruesos y las piezas de carne, pescado y aves con forma irregular se pueden cocinar mejor con ajustes para asar a la parrilla más bajos. Use las parrillas 6 o 7 para asar a la parrilla. Consulte la sección "Posición de las parrillas y los utensilios para hornear" para obtener más información.

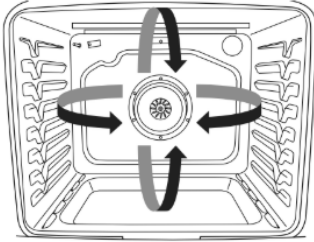
Con los ajustes más bajos, el elemento para asar a la parrilla se encenderá y se apagará con el fin de mantener la temperatura adecuada.

- Para obtener resultados óptimos, utilice una charola para asar y una parrilla. Está diseñado para drenar los jugos y ayudar a evitar salpicaduras y humo.

Si desea comprar una charola para asar, puede realizar un pedido. Consulte la Guía de inicio rápido para ver la información de contacto.

Cocción por convección

En un horno por convección, el aire caliente que hace circular el ventilador distribuye el calor continuamente y con más uniformidad que el movimiento natural del aire en un horno térmico estándar. Este movimiento de aire caliente ayuda a mantener una temperatura uniforme en todo el horno, cocina los alimentos más uniformemente y deja las superficies crujientes a la vez que atrapa la humedad y hace que los panes salgan con cortezas más crujientes.



Durante los ciclos de horneado o asar a la parrilla por convección, los elementos calentadores o de convección se encienden y apagan a intervalos, mientras el ventilador hace circular aire caliente. Durante el asado a la parrilla por convección, los elementos calentadores o de convección se encienden y apagan a intervalos.

Si se abre la puerta del horno durante la cocción por convección, el ventilador se apagará de inmediato. Se encenderá nuevamente cuando cierre la puerta del horno.

Por medio de la cocción por convección, la mayoría de los alimentos puede cocinarse a una temperatura más baja y/o un tiempo de cocción menor que en un horno térmico estándar. Según el modo de cocción seleccionado, la conversión EasyConvect™ puede reducir automáticamente la temperatura estándar de la receta y/o el tiempo que ingresa para la cocción por convección. Si elige no usar la conversión EasyConvect™, use la siguiente tabla como guía.

Modo de cocción por convección	Pautas de tiempo y temperatura
Convection Bake (Hornear por convección)	Temperatura menor, 25 °F (15 °C), posible reducción del tiempo de cocción
Convection Roast (Asar por convección)	Reducción del tiempo de cocción en hasta un 30 %
Convection Broil (Asar a la parrilla por convección)	Reducción del tiempo de cocción

Opciones de convección

Convect Bake (Hornear por convección): horneado en varias parrillas para galletas, bizcochos, panes, guisados, tartas, tortas y pasteles

Convect Roast (Asar por convección): pollo o pavo entero, verduras, asados de cerdo y de carne de res

Convect Broil (Asar a la parrilla por convección): cortes más gruesos o piezas de carne, pescado o ave de forma irregular

Canasta para freír sin aceite

Parte de lo que hace que las freidoras de aire sean tan eficientes para hacer que su comida quede crujiente tiene que ver con la canasta perforada que está diseñada para freír sin aceite. La cesta permite que el aire caliente circule por toda la superficie de los alimentos.

Cuando utilice la función Air Fry (Freír sin aceite), coloque la cesta encima de una bandeja para hornear grande para recoger las migas, el aceite y mitigar el humo. Coloque la cesta y la bandeja en la posición de rejilla 4 del horno para aumentar el flujo de aire y la circulación. Consulte Colocación de las rejillas y los utensilios para hornear para obtener más detalles. Evite usar más de una canasta para evitar que los alimentos se cocinen de forma dispereja.

Air Fry (Freír sin aceite)

Mientras se fríe sin aceite, los elementos calefactores y el ventilador de convección se encienden y apagan en intervalos para mantener la temperatura del horno mientras el ventilador hace circular el aire caliente. Cierre la puerta del horno para garantizar la temperatura adecuada.

IMPORTANTE: Los tiempos de cocción, las temperaturas y las instrucciones generales pueden variar según la receta.

Freír sin aceite en una cavidad de horno grande permite freír más alimentos a la vez, por lo que cabe esperar tiempos de horneado más largos.

- Al freír sin aceite, los alimentos deben estar espaciados uniformemente en la canasta para freír en una sola capa.
- Consulte las instrucciones de los alimentos envasados para hornear en horno convencional con respecto al tiempo y la temperatura para freír sin aceite.
- Para recetas de alimentos frescos con tiempos de horneado de más de 30 minutos, se recomienda un precalentamiento de 5 a 10 minutos.
- Para alimentos congelados, con hueso o densos con tiempos de cocción de menos de 15 minutos, es posible que se requiera tiempo adicional.
- No se recomienda usar rebozado húmedo cuando se fríe sin aceite.
- Para obtener el mejor rendimiento, agite o voltee los alimentos a la mitad del tiempo de horneado. Asegúrese de cerrar la puerta del horno después de sacar e introducir de nuevo los alimentos en la cavidad.
- Rocíe la canasta de la freidora de aire para evitar que los alimentos se peguen a la canasta.

NOTA: Los alimentos grasientos pueden producir humo durante el ciclo de fritura sin aceite. El uso adecuado de la canasta para freír sin aceite y la bandeja para hornear ayudará a reducir la producción de humo. Mantener un horno y una bandeja para hornear limpios también ayudará a reducir la cantidad de humo.

Cómo leudar pan

Al leudar el pan, la masa se prepara para el horneado activando la levadura. Siga las instrucciones de la receta como guía. El leudado estándar deberá usarse para la masa fresca, la masa descongelada y para el primer y segundo leudado.

Para leudar:

Antes del primer leudado, coloque la masa en un tazón ligeramente engrasado y cúbrala de modo flojo con papel encerado revestido de manteca. Coloque en la guía 2 de la parrilla y cierre la puerta del horno.

NOTA: Si la temperatura del horno es mayor de 120 °F (49 °C), la pantalla indicará "Oven Cooling" (Horno enfriándose) hasta que la temperatura esté por debajo de 120 °F (49 °C).

1. Presione Proof (Leudar).
2. Presione Start (Inicio).

Deje que la masa se esponje hasta que esté casi al doble de su tamaño. El tiempo de leudado puede variar según el tipo y la cantidad de masa.

3. Presione Cancel (Cancelar) cuando termine el leudado.

Antes de poner a leudar la masa por segunda vez, dele forma, colóquela en el (los) molde(s) para hornear y cúbrala ligeramente. Siga los mismos pasos detallados anteriormente para ubicar y controlar la masa. Quite la cubierta antes de hornear.

NOTA: Si la temperatura del horno es mayor que 120 °F (49 °C), la pantalla indicará "Oven cooling" (Horno enfriándose) hasta que la temperatura esté por debajo de 120 °F (49 °C).

Cook Time (Tiempo de cocción)

ADVERTENCIA

Peligro de intoxicación alimentaria

No deje sus alimentos en el horno por más de una hora antes o después de su cocción.

No seguir esta instrucción puede ocasionar intoxicación alimentaria o enfermedad.

Para fijar una cocción programada:

1. Presione Bake (Hornear) o Broil (Asar a la parrilla) o presione una función Easy Convect (Convección fácil).
2. Presione los botones numéricos para ingresar una temperatura diferente de la que aparece en la pantalla.
3. Presione Cook Time (Tiempo de cocción). La luz indicadora de tiempo de cocción del horno se iluminará.
4. Presione los botones numéricos para ingresar la duración del tiempo de cocción.
5. Presione Start (Inicio). En la pantalla aparecerá la cuenta regresiva del tiempo. Cuando finalice el tiempo, el horno se apagará automáticamente.
6. Presione Cancel (Cancelar) para el horno deseado para borrar la pantalla.

Para ajustar Delayed Timed Cook (Cocción programada diferida):

1. Presione Bake (Hornear) o Broil (Asar a la parrilla) o presione una función Easy Convect (Convección fácil).
2. Presione los botones numéricos para ingresar una temperatura diferente de la que aparece en la pantalla.
3. Presione Cook Time (Tiempo de cocción). La luz indicadora de tiempo de cocción del horno se iluminará.
4. Presione los botones numéricos para introducir la duración del tiempo de cocción.
5. Presione Delay Start (Inicio diferido).
6. Presione los botones numéricos para ingresar la cantidad de horas y/o minutos que quiera retrasar la hora de inicio.
7. Presione Start (Inicio).

El horno se encenderá automáticamente cuando haya alcanzado la hora de inicio. Para cambiar los ajustes de temperatura y/o de tiempo en cualquier momento, una vez que el horno está encendido, repita los pasos 2 a 4 y presione Start (Inicio). Cuando termine el tiempo de cocción fijado, el horno se apagará automáticamente.

8. Presione Cancel (Cancelar) para el horno deseado para borrar la pantalla.

NOTES

NOTES



W11637359B
01/24

®/™ ©2024 KitchenAid. All rights reserved. The design of the stand mixer is a trademark in the U.S. and elsewhere.
Used under license in Canada.
Tous droits réservés. La forme du batteur sur socle est une marque de commerce aux É.-U. et dans d'autres pays.
Utilisé sous licence au Canada.
Todos los derechos reservados. El diseño de la batidora es una marca comercial en EE. UU. y en otros países.
Usado bajo licencia en Canadá.

KitchenAid®