



Single Wall Oven - KSO<sub>30</sub>

Single Wall Oven  
w/ Painted Door - KSO<sub>30</sub>-XX

## Parts List

Hestan Commercial Corporation  
3375 E. La Palma Ave.  
Anaheim, CA 92806  
(888) 905-7463

RETAIN THIS FOR FUTURE REFERENCE

6

5

4

3

2

1

D

D

C

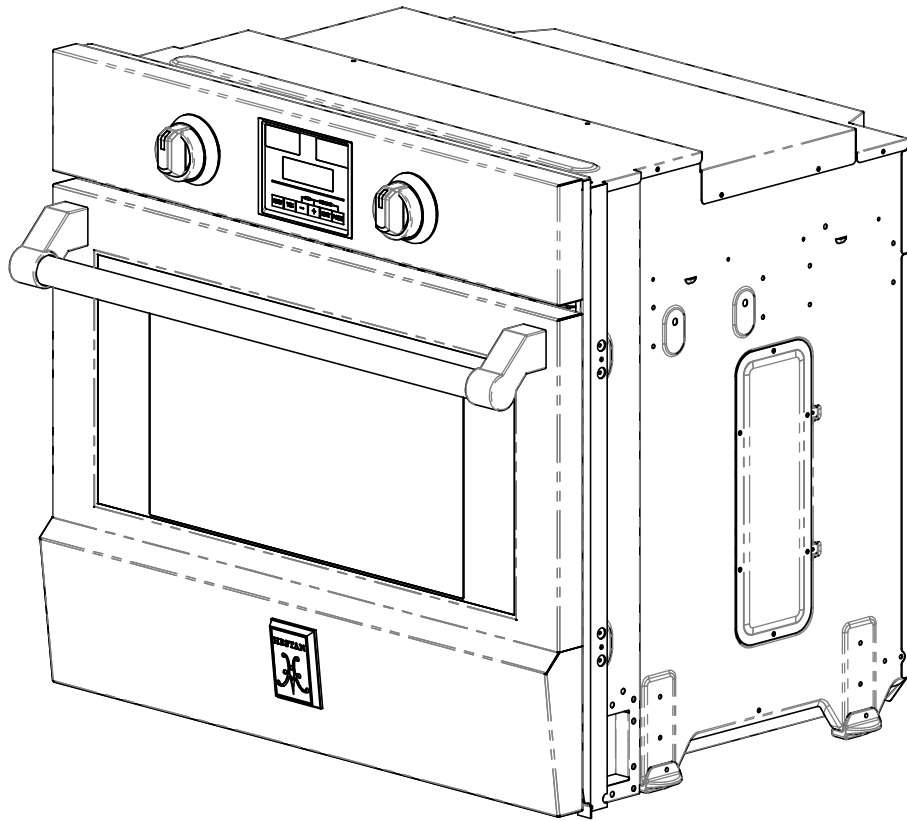
C

B

B

A

A



**KSO30-XX SHOWN**

Color Extension (-XX)	Description
	Stainless Steel
-BK	Stealth - Black
-WH	Froth - White
-RD	Matador - Red
-YW	Sol - Yellow
-OR	Citra - Orange
-BG	Tin Roof - Burgundy
-PP	Lush - Purple
-BU	Prince - Blue
-GR	Grove - Green
-GG	Pacific Fog - Graphite Gray
-TQ	Bora Bora - Turquoise

**HESTAN**

PROPRIETARY  
NO PART OF THIS DOCUMENT MAY BE REPRODUCED,  
STORED IN A RETRIEVAL SYSTEM, OR TRANSMITTED IN  
ANY FORM, WITHOUT THE WRITTEN PERMISSION OF  
Hestan Commercial Corporation. THIS DOCUMENT OR ANY  
COPIES SHALL BE RETURNED UPON WRITTEN REQUEST.

DESCRIPTION

**SERVICE, WALL OVEN, SINGLE  
(KSO30 & KSO30-XX)**

DRAWING NO

**KSO30-XX-SERVICE**

REVISION

**D**

SHEET NO.

6

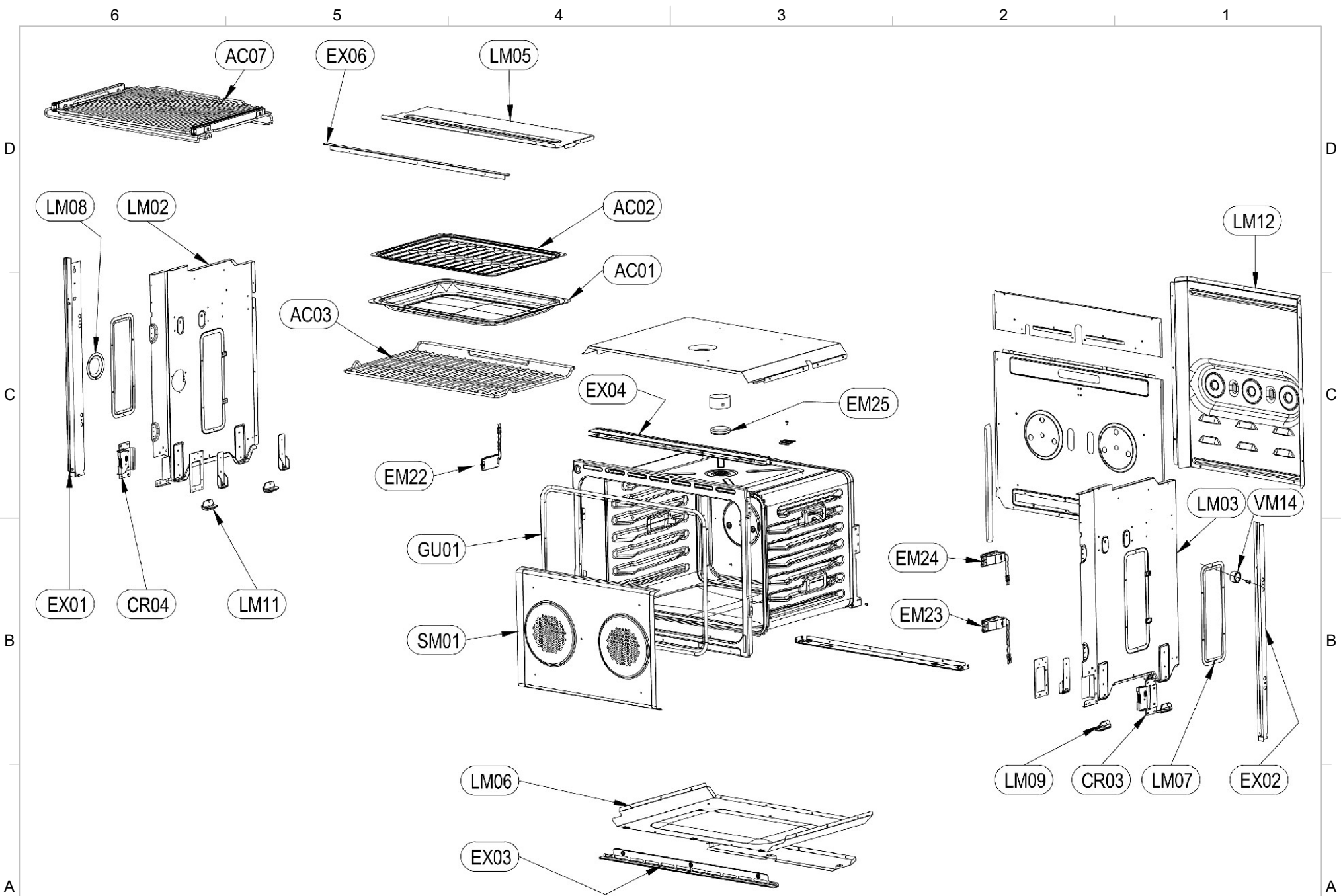
5

4

3

2

1



**SECTION 1**

2.873.451A



PROPRIETARY  
NO PART OF THIS DOCUMENT MAY BE REPRODUCED,  
STORED IN A RETRIEVAL SYSTEM, OR TRANSMITTED IN  
ANY FORM, WITHOUT THE WRITTEN PERMISSION OF  
Hestan Commercial Corporation. THIS DOCUMENT OR ANY  
COPIES SHALL BE RETURNED UPON WRITTEN REQUEST.

DESCRIPTION

**SERVICE, WALL OVEN, SINGLE  
(KSO30 & KSO30-XX)**

DRAWING NO

**KSO30-XX-SERVICE**

REVISION

**D**

SHEET NO.  
1 OF 7

6

5

4

3

2

1

A

B

C

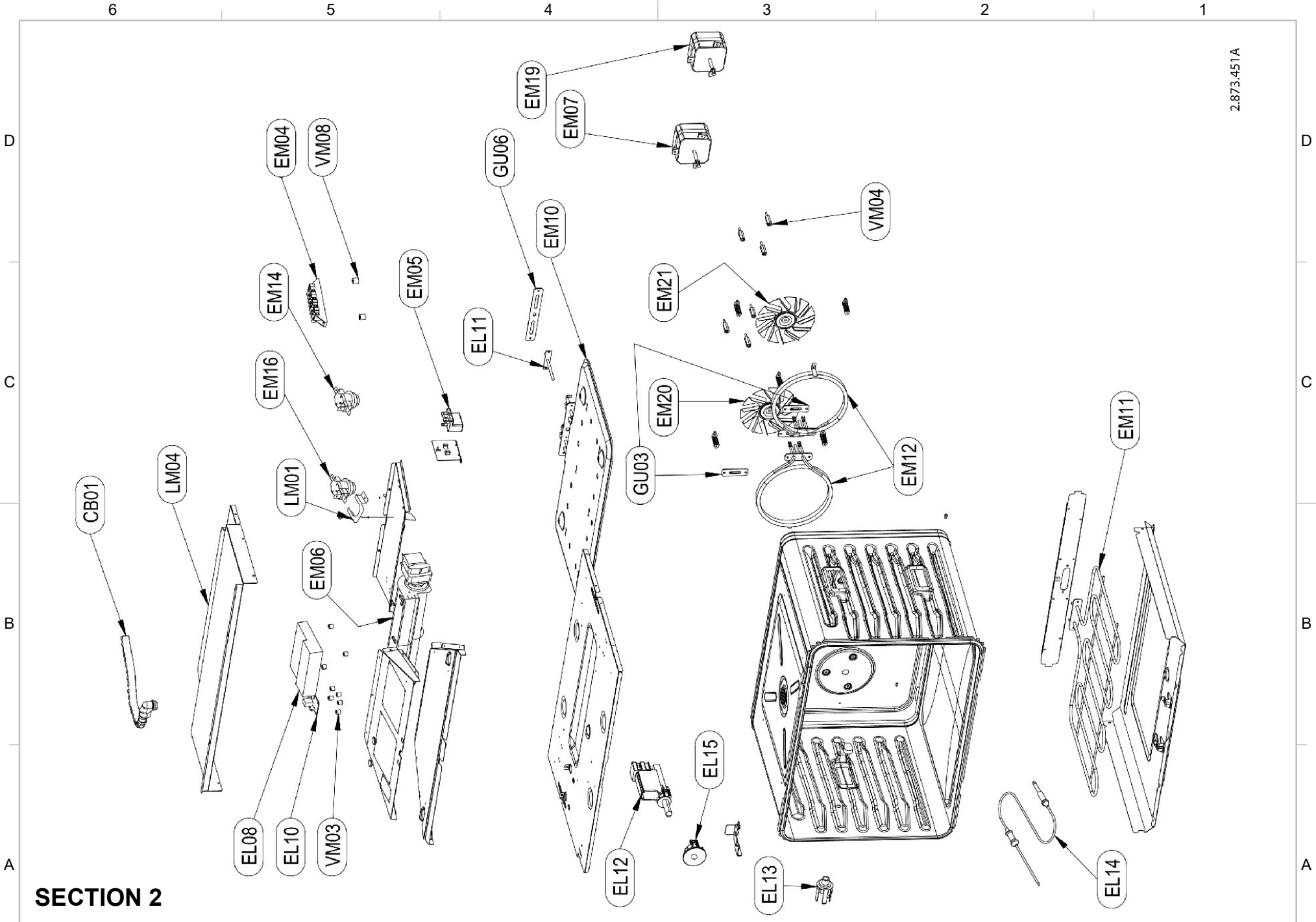
D

A

B

C

D



SECTION 2



PROPRIETARY  
 NO PART OF THIS DOCUMENT MAY BE REPRODUCED,  
 STORED IN A RETRIEVAL SYSTEM, OR TRANSMITTED IN  
 ANY FORM, WITHOUT THE WRITTEN PERMISSION OF  
 Hestan Commercial Corporation. THIS DOCUMENT OR ANY  
 COPIES SHALL BE RETURNED UPON WRITTEN REQUEST.

DESCRIPTION

**SERVICE, WALL OVEN, SINGLE  
 (KSO30 & KSO30-XX)**

DRAWING NO

**KSO30-XX-SERVICE**

REVISION

**D**

SHEET NO.  
 2 OF 7

6

5

4

3

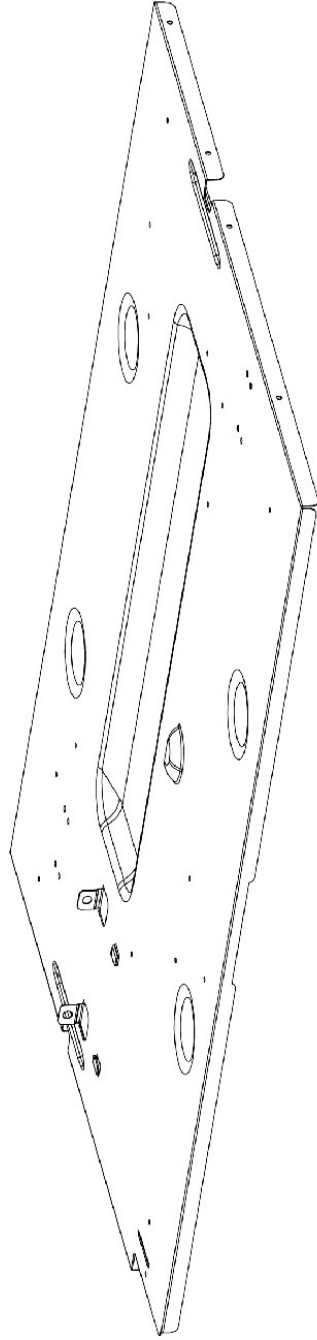
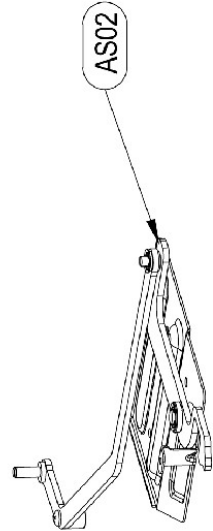
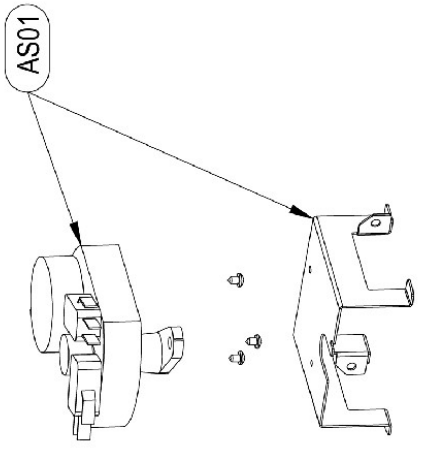
2

1

2.873.451A

D  
C  
B  
A

D  
C  
B  
A



### SECTION 3



**PROPRIETARY**  
 NO PART OF THIS DOCUMENT MAY BE REPRODUCED,  
 STORED IN A RETRIEVAL SYSTEM, OR TRANSMITTED IN  
 ANY FORM, WITHOUT THE WRITTEN PERMISSION OF  
 Hestan Commercial Corporation. THIS DOCUMENT OR ANY  
 COPIES SHALL BE RETURNED UPON WRITTEN REQUEST.

DESCRIPTION

**SERVICE, WALL OVEN, SINGLE (KSO30  
 & KSO30-XX)**

DRAWING NO

**KSO30-XX-SERVICE**

REVISION

**D**

SHEET NO.

3 OF 7

6

5

4

3

2

1

6

5

4

3

2

1

D

D

C

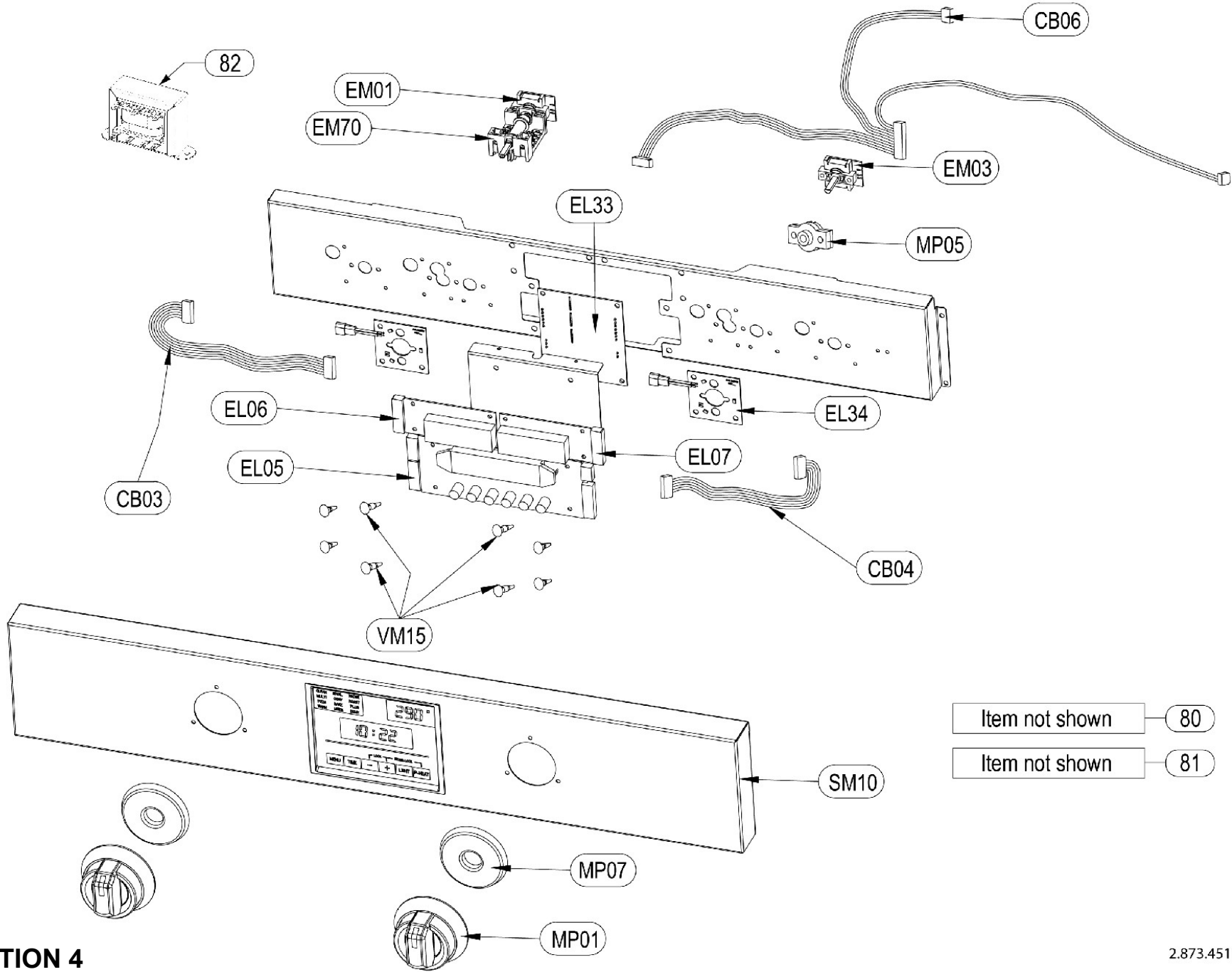
C

B

B

A

A



Item not shown 80

Item not shown 81

### SECTION 4

2.873.451B



PROPRIETARY  
NO PART OF THIS DOCUMENT MAY BE REPRODUCED,  
STORED IN A RETRIEVAL SYSTEM, OR TRANSMITTED IN  
ANY FORM, WITHOUT THE WRITTEN PERMISSION OF  
Hestan Commercial Corporation. THIS DOCUMENT OR ANY  
COPIES SHALL BE RETURNED UPON WRITTEN REQUEST.

DESCRIPTION  
**SERVICE, WALL OVEN, SINGLE  
(KSO30 & KSO30-XX)**

DRAWING NO

# KSO30-XX-SERVICE

REVISION

## D

SHEET NO.  
4 OF 7

6

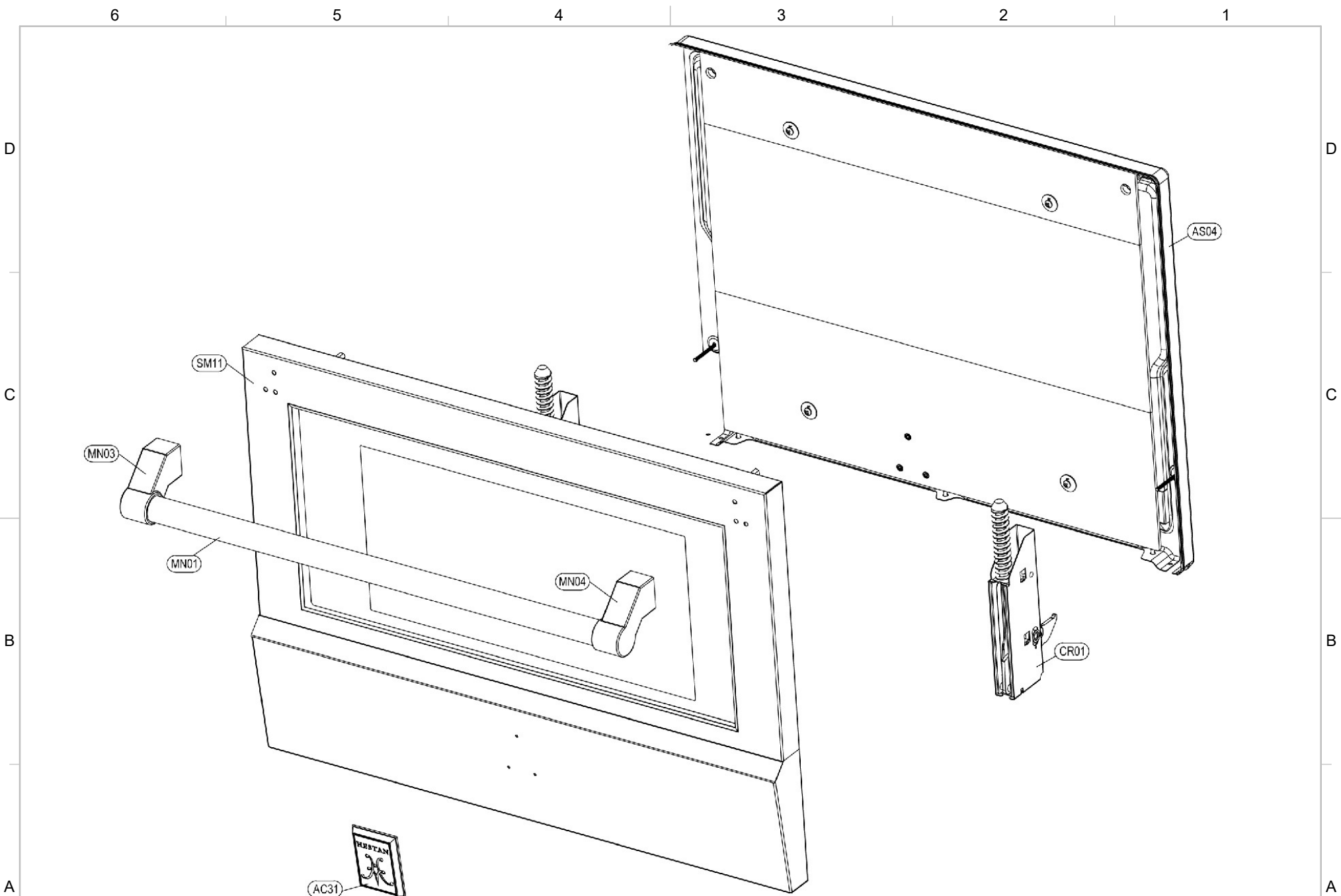
5

4

3

2

1



**SECTION 5**

2.873.451A



**PROPRIETARY**  
 NO PART OF THIS DOCUMENT MAY BE REPRODUCED,  
 STORED IN A RETRIEVAL SYSTEM, OR TRANSMITTED IN  
 ANY FORM, WITHOUT THE WRITTEN PERMISSION OF  
 Hestan Commercial Corporation. THIS DOCUMENT OR ANY  
 COPIES SHALL BE RETURNED UPON WRITTEN REQUEST.

DESCRIPTION  
**SERVICE, WALL OVEN, SINGLE  
 (KSO30 & KSO30-XX)**

DRAWING NO  
**KSO30-XX-SERVICE**

REVISION  
**D**  
 SHEET NO.  
 5 OF 7

# SINGLE OVEN PARTS LIST

**KSO30 / KSO30-XX**

9-Jul-2024

SECT. #	BALLOON #	HESTAN P/N	DESCRIPTION	NOTES
1	AC01	025466	PAN, ENAMELED	
1	AC02	025467	ANTISPLASH SHIELD	
1	AC03	025468	RACK,OVEN, CHROME, HESTAN	
1	AC07	025469	RACK, TELESCOPIC, HESTAN	
1	CR03	025470	HINGE RECEIVER, RIGHT, 80K	
1	CR04	025471	HINGE RECEIVER, LEFT, 80K	
1	EM22	025472	LAMP HOLDER WITH BULB, 120VAC, 400mm	
1	EM23	025473	LAMP HOLDER WITH BULB, 120VAC, 540mm	
1	EM24	025393	LAMP HOLDER WITH BULB, 120VAC, 320mm	
1	EM25	025474	CATALYST 80K	
1	EX01	025546	OVEN SUPPORT, LEFT, 80K, MATTE BLACK	
1	EX02	025545	OVEN SUPPORT, RIGHT, 80K, MATTE BLACK	
1	EX03	025477	TRIM, LOWER, OVEN, 80K, MATTE BLACK	
1	EX04	025478	AIR DEFLECTOR, EXIT, 80K, MATTE BLACK	
1	EX06	025544	SPACER, COOLING CHANNEL, 80K, MATTE BLACK	
1	GU01	025481	FRONT FRAME GASKET, 80K	
1	LM02	025549	LEFT SIDE COVER, SINGLE, 80K	
1	LM03	025548	RIGHT SIDE COVER, SINGLE, 80K	
1	LM05	025484	UPPER COVER, FRONT, 80K	
1	LM06	025485	BOTTOM COVER ASSEMBLY, OVEN 80K	
1	LM07	025486	COVER LATERAL OVEN, 80K	
1	LM08	025487	COVER MEAT PROBE, 80K	
1	LM09	025488	FOOT, RIGHT, OVEN 80K	
1	LM11	025489	FOOT, LEFT, OVEN 80K	
1	LM12	025490	REAR COVER, 80K	
1	SM01	025491	COVER, TWO FAN, ENAMELED	
1	VM14	025439	SPACER FOR CERAMIC COOKTOP 24/30/36"	
2	CB01	025551	SUPPLY WIRING w/ CONDUIT, SINGLE OVEN, 4-WIRE, USA	
2	EL08	025496	POWER BOARD, 80K HAWK3 UL	END - October 2021
2		052148	POWER BOARD, 80K, MODULAR LED, UL, 12782264	BEGIN - October 2021
2	EL10	025498	AUXILIARY BOARD, MEAT PROBE	END - October 2021
2		052147	WIRING, MEAT PROBE & GROUND, 80K, MODULAR LED, 12750505	BEGIN - October 2021
2	EL11	025499	TEMPERATURE PROBE, 80K OVEN	
2	EL12	025404	OVEN DOOR MICROSWITCH	
2	EL13	025500	PLUG, MEAT PROBE	
2	EL14	025501	MEAT PROBE	
2	EL15	025403	FLANGE FOR DOOR MICROSWITCH	
2	EM04	025502	TERMINAL BLOCK, 4P FV273	
2	EM05	025503	DELTA FILTER, 80K	
2	EM06	025504	COOLING FAN, TANGENTIAL, 80K, 120V	
2	EM07	025505	MOTOR, FAN, 80K, LEFT, 120V	
2	EM10	025506	HEATING ELEMENT AND REFLECTOR ASSEMBLY 3500W	



PROPRIETARY  
NO PART OF THIS DOCUMENT MAY BE REPRODUCED,  
STORED IN A RETRIEVAL SYSTEM, OR TRANSMITTED IN  
ANY FORM, WITHOUT THE WRITTEN PERMISSION OF  
Hestan Commercial Corporation. THIS DOCUMENT OR ANY  
COPIES SHALL BE RETURNED UPON WRITTEN REQUEST.

DESCRIPTION

**SERVICE, WALL OVEN, SINGLE  
(KSO30 & KSO30-XX)**

DRAWING NO

**KSO30-XX-SERVICE**

REVISION

**D**

SHEET NO.

6 OF 7



# SINGLE OVEN PARTS LIST

## KSO30 / KSO30-XX

9-Jul-2024

SECT. #	BALLOON #	HESTAN P/N	DESCRIPTION	NOTES
2	EM11	025507	BOTTOM HEATING ELEMENT, 3000W 240V	
2	EM12	025508	RING HEATING ELEMENT, 1300W 240V	
2	EM14	025509	THERMOSTAT, MANUAL RESET, NC155°C-16A BIPOLAR Ty62-R	
2	EM16	025510	THERMOSTAT, FIXED TEMP., 16A 70°C	
2	EM19	025511	MOTOR, FAN, 80K, RIGHT, 120V	
2	EM20	025512	FAN BLADE, SS, LEFT, 30"	
2	EM21	025513	FAN BLADE, SS, 30"	
2	GU03	025514	RING ELEMENT SEAL, FIBER, 27/30"	
2	GU06	025515	GASKET, FIBER, CEILING, 80K	
2	LM01	025516	THERMOSTAT BRACKET	
2	LM04	025517	UPPER COVER, BACK, 80K	
2	VM03	025518	SPACER, ELECTRONIC CONTROL	
2	VM04	025519	SCREW, FAN MOTOR, 80K	
2	VM08	025520	SPACER, CERAMIC, MAIN POWER CONNECTOR	
3	AS01	025492	ASSEMBLY MOTOR LOCKING DOOR, 1µ 120V 80K UL	
3	AS02	025493	ASSEMBLY DOOR LOCKING, 3T, 80K	
4	CB03	025521	WIRING, OVEN, 30" 80K, DISPLAY BOARD-DISPLAY	BEGIN - October 2021
4		052153	CABLE, SELECTOR, MODULAR LED, 1A7501020	END - October 2021
4	CB04	025522	WIRING, OVEN, 30" 80K, DISPLAY BOARD-DISPLAY	BEGIN - October 2021
4		052154	DISPLAY, MODULAR LED, FLAT 8V L310, 12750500	END - October 2021
4	CB06	025552	WIRING, OVEN, 30" 80K, DISPLAY	BEGIN - October 2021
4		052152	CABLE, FLAT, 16 WAY, L150 (UL), MODULAR LED, 1A7501010	END - October 2021
4	EL05	025525	DISPLAY BOARD, CLOCK, WHITE, UL	
4	EL06	025526	DISPLAY BOARD, FUNCTION, WHITE	
4	EL07	025527	DISPLAY BOARD, TEMP., WHITE	
4	EL33	019678	LED DRIVER, HESTAN	
4	EL34	017612	LED MODULE, KNOB LIGHTING, HESTAN	
4	EM01	025530	SELECTOR, 0+8 POSITION, MULTIFUNCTION MODEL	
4	EM03	025531	SELECTOR, TEMPERATURE	
4	EM70	025532	COMMUTATOR, 8F+0 L20 7LA-8902XX, KNOB LIGHTING	
4	MP01	020663	KNOB, HESTAN	
4	MP05	025534	GUIDE, SELECTOR	
4	MP07	019744	LENS, DIFFUSER, HESTAN	
4	SM10	025550	CONTROL PANEL, FRONT, 80K, HESTAN	
4	VM15	025537	SPACER, DISPLAY	
4	80	025553	WIRING, OVEN, 30" 80K	BEGIN - October 2021
4		052146	WIRING, OVEN 30" 80K (MODULAR LED), 1A7501160	END - October 2021
4	81	025547	WIRING, KNOB LIGHTING, 80K HESTAN	
4	82	016512	TRANSFORMER, 40VA, 120VAC TO 12/24V	
5	AC31	001834	LOGO, HESTAN, 3.5 X 2.5	
5	AS04	025538	OVEN DOOR BASE ASSEMBLY 80K, HESTAN	
5	CR01	025539	DOOR HINGE ASSEMBLY, 80K GAS/DF/IND.	END - Mar. 17, 2019
5		037650	DOOR HINGE ASSEMBLY, 80K GAS/DF/IND.	BEGIN - Mar. 18, 2019
5	MN01	020670	HANDLE, WALL OVEN/WARMING DRAWER	
5	MN03	000463	ENDCAP, HANDLE, LH, SM	
5	MN04	000704	ENDCAP, HANDLE, RH, SM	
5	SM11	025540	PANEL, OVEN DOOR w/ BADGE (STAINLESS STEEL)	
5	SM11	022925-XX	KIT, OVEN DOOR, LOWER, WALL OVEN (COLOR)	SPECIFY COLOR
		052155	THERMOSTAT, 16A-110°C, MODULAR LED, 05EH2630110	BEGIN - October 2021
		052156	ASSEMBLY, CAPACITOR, LOCK MOTOR, 2µ 120V 80K, MODULAR LED, 42782244	BEGIN - October 2021



PROPRIETARY  
 NO PART OF THIS DOCUMENT MAY BE REPRODUCED,  
 STORED IN A RETRIEVAL SYSTEM, OR TRANSMITTED IN  
 ANY FORM, WITHOUT THE WRITTEN PERMISSION OF  
 Hestan Commercial Corporation. THIS DOCUMENT OR ANY  
 COPIES SHALL BE RETURNED UPON WRITTEN REQUEST.

DESCRIPTION

**SERVICE, WALL OVEN, SINGLE  
 (KSO30 & KSO30-XX)**

DRAWING NO

**KSO30-XX-SERVICE**

REVISION

**D**

SHEET NO.

7 OF 7