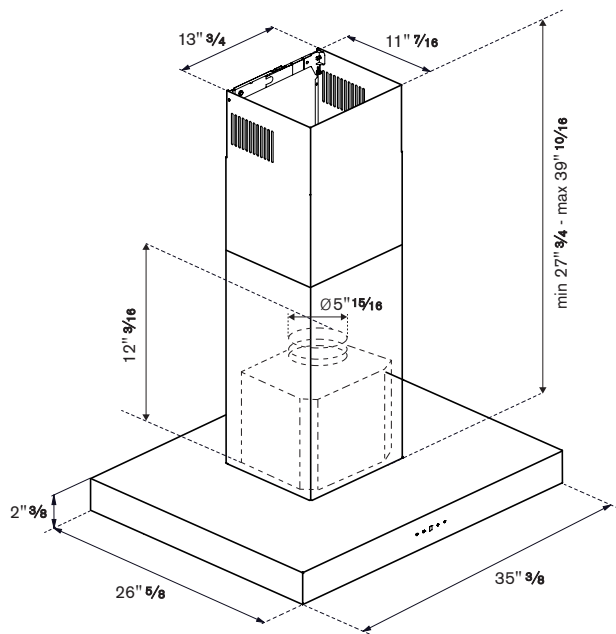
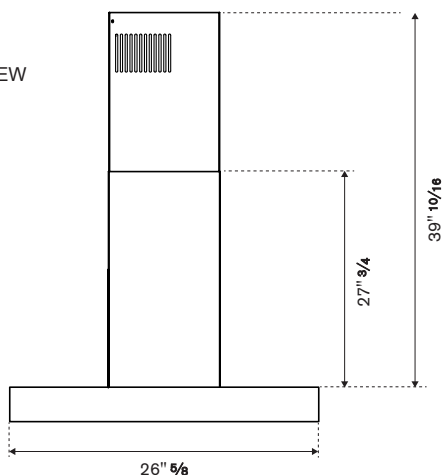


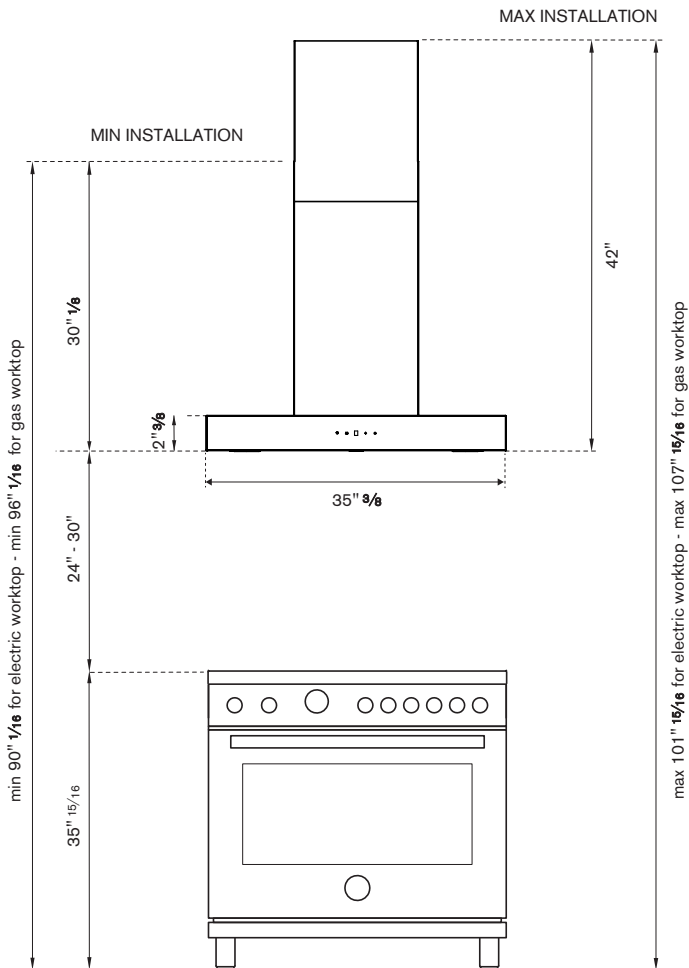
PRODUCT DIMENSIONS



SIDE VIEW



PRODUCT INSTALLATION



Hood Clearance

Recommended height above cooking surface:
 min 24" for electric worktop
 min 30" for gas worktop

INSTALLATION OF WIRING CONNECTION

Remove the cover from the field wiring compartment. **DO NOT** turn on the power until installation is complete!
 Connect the Power Supply Cable to the rangehood.
 Connect the Green (Green and Yellow) ground wire under the Green grounding screw.
 Attach the White lead of the power supply to the White lead of the rangehood with a twist-on type wire connector.
 Attach the Black lead of the power supply to the Black lead of the rangehood with a twist-on type wire connector.
 Replace the field wiring compartment cover and the grease filters.

- A. Home power supply cable
- B. Black wires
- C. UL listed wire connectors
- D. White wires
- E. Green (or bare) ground wire from home power supply connected to green ground screw
- F. Range hood power supply cable
- G. Range hood power supply cable connected to green ground screw

