

Installation Instructions
Use and Care Information

Instructions d'installation
Utilisez et d'entretien

KTV24XV

READ AND SAVE THESE INSTRUCTIONS BEFORE YOU START INSTALLING THIS RANGEHOOD

WARNING: - TO REDUCE THE RISK OF A RANGE TOP GREASE FIRE:

- a) Never leave surface units unattended at high settings. Boilovers cause smoking and greasy spillovers that may ignite. Heat oils slowly on low or medium setting.
- b) Always turn hood ON when cooking at high heat or when flambeing food (i.e. Crepes Suzette, Cherries Jubilee, Peppercorn Beef Flambé).
- c) Clean ventilating fans frequently. Grease should not be allowed to accumulate on fan or filter.
- d) Use proper pan size. Always use cookware appropriate for the size of the surface element.

WARNING: - TO REDUCE THE RISK OF INJURY TO PERSONS IN THE EVENT OF A RANGE TOP GREASE FIRE, OBSERVE THE FOLLOWING*:

- a) **SMOTHER FLAMES** with a close-fitting lid, cookie sheet, or metal tray, then turn off the burner. **BE CAREFUL TO PREVENT BURNS.** If the flames do not go out immediately **EVACUATE AND CALL THE FIRE DEPARTMENT.**
- b) **NEVER PICK UP A FLAMING PAN** - You may be burned.
- c) **DO NOT USE WATER**, including wet dishcloths or towels - a violent steam explosion will result.
- d) Use an extinguisher **ONLY** if:
 1. You know you have a Class ABC extinguisher, and you already know how to operate it.
 2. The fire is small and contained in the area where it started.
 3. The fire department is being called.
 4. You can fight the fire with your back to an exit.

* Based on "Kitchen Firesafety Tips" published by NFPA

WARNING - TO REDUCE THE RISK OF FIRE OR ELECTRIC SHOCK, do not use this fan with any solid-state speed control device.

WARNING - TO REDUCE THE RISK OF FIRE, ELECTRICAL SHOCK, OR INJURY TO PERSONS, OBSERVE THE FOLLOWING:

1. Use this unit only in the manner intended by the manufacturer. If you have any questions, contact the manufacturer.
2. Before servicing or cleaning unit, switch power off at service panel and lock the service disconnecting means to prevent power from being switched on accidentally. When the service disconnecting means cannot be locked, securely fasten a prominent warning device, such as a tag, to the service panel.

CAUTION: For General Ventilating Use Only. Do Not Use To Exhaust Hazardous or Explosive Materials and Vapors.

WARNING - TO REDUCE THE RISK OF FIRE, ELECTRICAL SHOCK, OR INJURY TO PERSONS, OBSERVE THE FOLLOWING:

1. Installation Work And Electrical Wiring Must Be Done By Qualified Person(s) In Accordance With All Applicable Codes And Standards, Including Fire-Rated Construction.
2. Sufficient air is needed for proper combustion and exhausting of gases through the flue (chimney) of fuel burning equipment to prevent backdrafting. Follow the heating equipment manufacturer's guideline and safety standards such as those published by the National Fire Protection Association (NFPA), and the American Society for Heating, Refrigeration and Air Conditioning Engineers (ASHRAE), and the local code authorities.
3. When cutting or drilling into wall or ceiling, do not damage electrical wiring and other hidden utilities.
4. Ducted fans must always be vented to the outdoors.

ALL WALL AND FLOOR OPENINGS WHERE THE RANGEHOOD IS INSTALLED MUST BE SEALED.

This rangehood requires at least 24" of clearance between the bottom of the rangehood and the cooking surface or countertop. This hood has been approved by UL at this distance from the cooktop.

This minimum clearance may be higher depending on local building codes. For gas cooktops and combination ranges, a minimum of 30" is recommended and may be required.

Overhead cabinets on both sides of this unit must be a minimum of 18" above the cooking surface or countertop. Consult the cooktop or range installation instructions given by the manufacturer before making any cutouts.

MOBILE HOME INSTALLATION The installation of this rangehood must conform to the Manufactured Home Construction and Safety Standards, Title 24 CFR, Part 3280 (formerly Federal Standard for Mobile Home Construction and Safety, Title 24, HUD, Part 280). See Electrical Requirements.

VENTING REQUIREMENTS

Determine which venting method is best for your application. Ductwork can extend either through the wall or the roof.

The length of the ductwork and the number of elbows should be kept to a minimum to provide efficient performance. The size of the ductwork should be uniform. Do not install two elbows together. Use duct tape to seal all joints in the ductwork system. Use caulking to seal exterior wall or floor opening around the cap.

Flexible ductwork is not recommended. Flexible ductwork creates back pressure and air turbulence that greatly reduces performance.

Make sure there is proper clearance within the wall or floor for exhaust duct before making cutouts. Do not cut a joist or stud unless absolutely necessary. If a joist or stud must be cut, then a supporting frame must be constructed.

WARNING - To Reduce The Risk Of Fire, Use Only Metal Ductwork.

CAUTION - To reduce risk of fire and to properly exhaust air, be sure to duct air outside – Do not vent exhaust air into spaces within walls or ceilings or into attics, crawl spaces, or garages.

Cold Weather installations

An additional back draft damper should be installed to minimize backward cold air flow and a nonmetallic thermal break should be installed to minimize conduction of outside temperatures as part of the vent system. The damper should be on the cold air side of the thermal break. The break should be as close as possible to where the vent system enters the heated portion of the house.



WARNING

- Venting system **MUST** terminate outside the home.
- **DO NOT** terminate the ductwork in an attic or other enclosed space.
- **DO NOT** use 4" laundry-type wall caps.
- Flexible-type ductwork is not recommended.
- **DO NOT** obstruct the flow of combustion and ventilation air.
- Failure to follow venting requirements may result in a fire.

ELECTRICAL REQUIREMENTS

A 120 volt, 60 Hz AC-only electrical supply is required on a separate 15 amp fused circuit. A time-delay fuse or circuit breaker is recommended. The fuse must be sized per local codes in accordance with the electrical rating of this unit as specified on the serial/rating plate located inside the unit near the field wiring compartment.



WARNING

- Electrical ground is required on this rangehood.
- If cold water pipe is interrupted by plastic, nonmetallic gaskets or other materials, DO NOT use for grounding.
- DO NOT ground to a gas pipe.
- DO NOT have a fuse in the neutral or grounding circuit. A fuse in the neutral or grounding circuit could result in electrical shock.
- Check with a qualified electrician if you are in doubt as to whether the rangehood is properly grounded.
- Failure to follow electrical requirements may result in a fire.

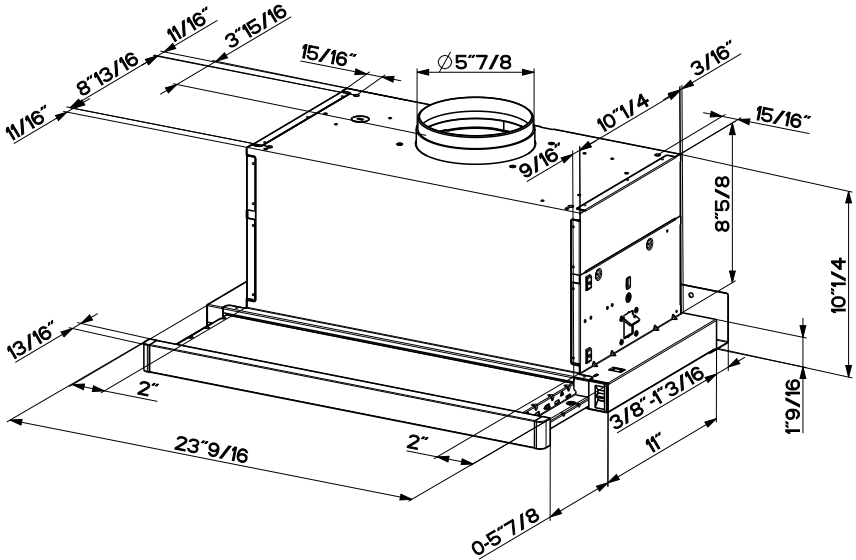
State of California Proposition 65 Warning (US only)

WARNING

This product contains chemicals known to the State of California to cause cancer and birth defects or other reproductive harm.

For more information go to www.P65Warnings.ca.gov

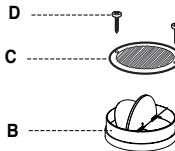
DIMENSIONS



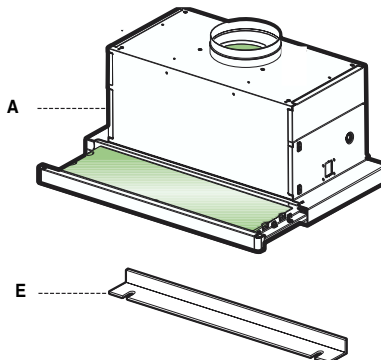
Pre-Planning Your Installation - Important: The recommended height to install this hood off the cooktop is a minimum of 24" and a maximum of 30" for maximum effectiveness. Also consult the cooktop manufacturer's recommendation.

NOTE: For top venting (comes standard in this position), use the left dimensional diagram. Refer to page 7 for directions for direct rear venting.

RANGEHOOD COMPONENTS



- A. RANGEHOOD BODY
- B. DAMPER
- C. PLASTIC VENT GRATE
- D. SCREWS
- E. REAR TRIM STRIP



TOOLS NEEDED FOR INSTALLATION

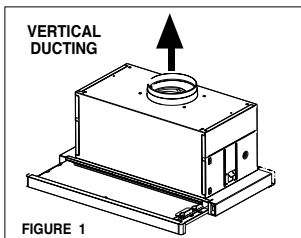
- Saber Saw or Jig Saw
- Drill
- 1 1/4" Wood Drill Bit
- Pliers
- Phillips Screwdriver
- Wire Stripper or Utility Knife
- Metal Snips
- Measuring Tape or Ruler
- Level
- Pencil
- Caulking Gun
- Duct Tape

PARTS SUPPLIED FOR INSTALLATION

- 1 Backdraft Damper
- 1 Vent Grate (for recirculating installations only)
- 1 Vinyl Trim
- 1 Literature Package

PARTS NEEDED FOR INSTALLATION

- 2 Conduit Connectors
- Power Supply Cable
- 1 Wall or Roof Cap
- All Metal Ductwork



PLAN THE DUCTWORK

The KTV24XV slideout rangehood is designed to offer wide flexibility of installations.

The rangehood can be ducted vertically through a 6" round vent.

The unit can also be installed in a recirculating configuration. The unit comes standard in the top venting position.

FIGURES 1 shows vertical installations for this unit.

FIGURE 2 shows recirculating installation. The KTV24XV requires 6" round ductwork.

To ensure that the blower performs to its highest possible capacity, ductwork should be as short and straight as possible.

The ductrun should not exceed 35 feet if ducted with the required minimum of 6" round duct.

Calculate the length of the ductwork by adding the equivalent feet in FIGURE A for each piece of duct in the system. An example is given in FIGURE B.

For best results, use no more than three 90° elbows. Make sure that there is a minimum of 24" of straight duct between elbows if more than one is used. Do not install two elbows together.

If you must elbow right away, do it as far away from the hood's exhaust opening as possible.

45° Elbow	3.0 feet
90° Elbow	5.0 feet
90° Flat Elbow	12.0 feet
Wall Cap	0.0 feet

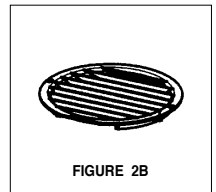
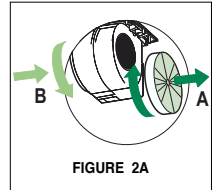
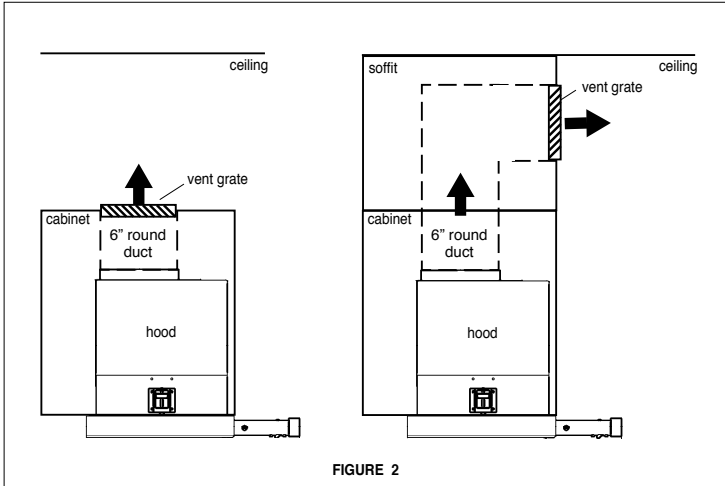
FIGURE A

9 Feet Straight Duct	9.0 feet
2 - 90° Elbows	10.0 feet
Wall Cap	0.0 feet
Total System	19.0 feet

FIGURE B

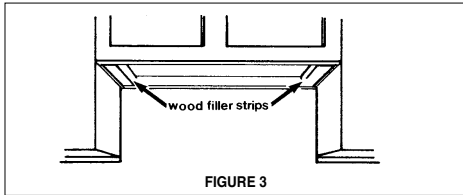
RECIRCULATING INSTALLATIONS

For recirculating installations (**FIGURE 2**), Charcoal Filters are necessary. Remove the two grease filters and set aside. Attach one charcoal filter to each end of the blower. Each charcoal filter attaches to the black grid on the side of the blower. Rotate the filter clockwise to install and counterclockwise to remove (**FIGURE 2A**). Replace the two grease filters. Some ductwork must be installed to exhaust the rangehood back into the kitchen, either at the top of the cabinet or at the face of the soffit. A plastic vent grate (**FIGURE 2B**) supplied with the rangehood can be used to cover the duct opening. This duct work must not terminate into a dead air space.



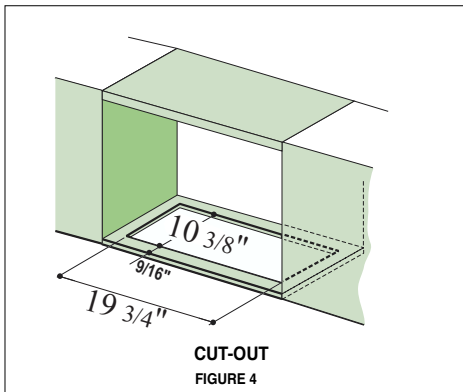
PREPARE THE CABINET

1. Disconnect and move freestanding range from cabinet opening to provide easier access to upper cabinet and rear wall. Put a thick, protective covering over cooktops, set-in ranges or countertops to protect from damage or dirt.
2. Determine and clearly mark with a pencil the center line of the cabinet on the wall and on the underside of the cabinet where the rangehood will be installed.
3. If the cabinet bottom is recessed, wood blocks need to be installed to insure proper alignment with the cabinet bottom. Wood blocks should be flush or recessed $1/16''$ to $1/8''$ within the cabinet bottom as indicated in **FIGURE 3**.



4. Determine the proper cutouts for the ductwork. Make all necessary cuts in the walls or cabinets for the ductwork. Install the ductwork before mounting the rangehood.

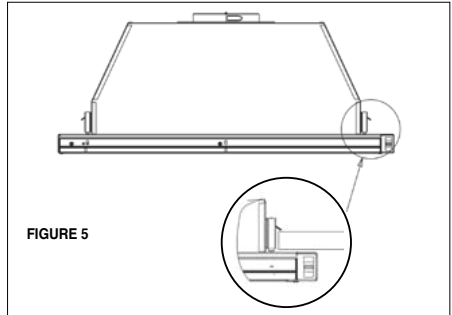
MAKE THE CUT-OUT OPENING (FIGURE 4) WHERE THE RANGEHOOD WILL BE INSTALLED.



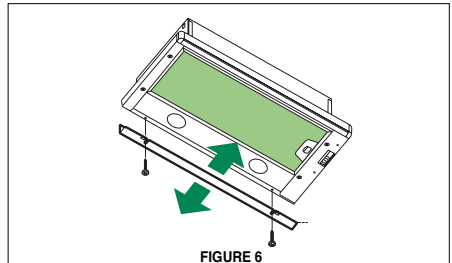
INSTALL THE RANGEHOOD

1. Remove the rangehood from the carton and place on a flat surface. Cover the surface to prevent accidental damage. Remove all parts including the backdraft damper, plastic grille and literature package before discarding the carton. Remove the grease filters and set aside
2. Place the round damper into the exhaust opening of the rangehood and press down.

3. The rangehood mounts to the cabinet by two spring loaded brackets, one on each side of the rangehood (**FIGURE 5**). Lift the rangehood into the cutout opening in the cabinet. Be careful not to damage the cabinet, rangehood or other appliances.



4. The spring loaded brackets are factory set to accommodate a thickness between $1 \frac{3}{16}''$ and $2 \frac{1}{4}''$. If your cabinet bottom is less than $1 \frac{3}{16}''$ thick, the spring loaded brackets can be removed and repositioned down from the top setting to the bottom setting by removing the four phillips screws.
5. Tighten the rangehood to the cabinet by rotating the screws with a phillips screw driver.
6. A metal trim strip (**FIGURE 6**) is included to cover the underside of any remaining exposed cabinet. Attach the strip to the bottom of the back of the rangehood with the screws provided.



7

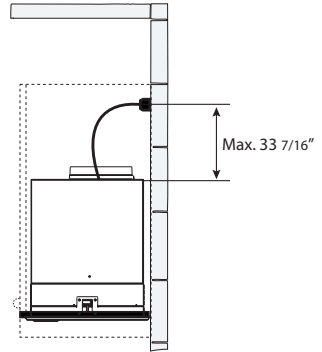
ELECTRICAL INSTALLATION WITH CONNECTION CABLE

GROUNDING INSTRUCTIONS This appliance must be grounded. In the event of an electrical short circuit, grounding reduces the risk of electric shock by providing an escape wire for the electric current. This appliance is equipped with a cord having a grounding wire with a grounding plug. The plug must be plugged into an outlet that is properly installed and grounded.

WARNING - Improper grounding can result in a risk of electric shock.

Consult a qualified electrician if the grounding instructions are not completely understood, or if doubt exists as to whether the appliance is properly grounded.

Do not use an extension cord. If the power supply cord is too short, have a qualified electrician install an outlet near the appliance.



WARNING - "The supply cord shall be accessible for inspection after installation".

USE AND CARE INFORMATION

For Best Results

Start the rangehood several minutes before cooking to develop proper airflow. Allow the rangehood to operate for several minutes after cooking is complete to clear all smoke and odors from the kitchen.

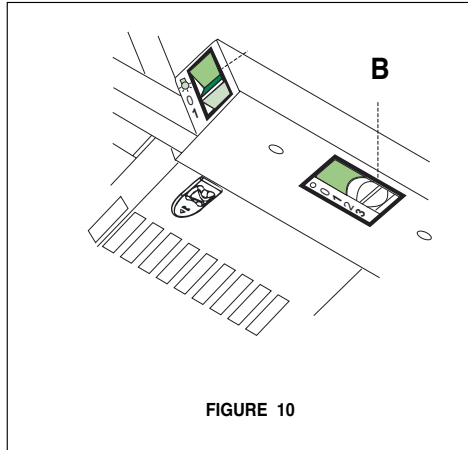


FIGURE 10

Rangehood Control Panel

All controls are located on the right side of the rangehood.

Light On/Off Switch

The On/Off switch for the led light is located behind the front trim. Moving the switch to the 1 Position turns the light On. Moving the switch to the 0 position turns the light off.

Blower Speed Switch

B in FIGURE 10 shows the speed control switch for the blower. Moving the switch to the 1 Position turns the blower on LOW. Moving the switch to the 2 Position turns the blower on MEDIUM. Moving the switch to the 3 Position turns the blower on HIGH. Moving the switch to the 0 Position turns the blower off.

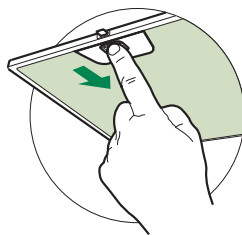
Automatic Operation

As long as the blower and light switches are on, the blower and light will automatically operate when the visor is opened and shut off when the visor is closed.

Cleaning metal grease filters

The metal grease filters can be cleaned in hot detergent solution or washed in the dishwasher. They should be cleaned every 2 months use, or more frequently if use is particularly heavy.

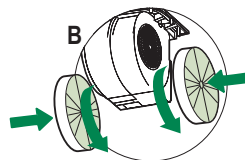
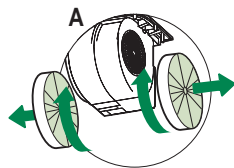
- Open the visor by pulling it.
- Remove the filter, pushing the lever towards the back of the unit and at the same time pulling downward.
- Wash the filter without bending it, leave it to dry thoroughly before replacing (if the surface of the filter changes color over time, this will have absolutely no effect on its efficiency).
- Replace, taking care to ensure that the handle faces forward.
- Cleaning in dishwasher may dull the finish of the metal grease filter.
- Close the visor.



Replacing Activated Charcoal Filter

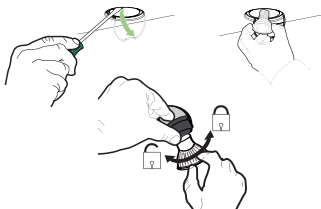
The Activated Charcoal Filters are not washable and cannot be regenerated, and must be replaced approximately every 4 months of operation, or more frequently with heavy usage.

- Open the visor by pulling it.
- Remove the Filter, pushing it towards the back of the unit and at the same time pulling downward.
- Remove the saturated Activated Charcoal Filters, as indicated (A).
- Fit the new Filters, as indicated (B).
- Replace, taking care to ensure that the handle faces forwards.
- Close the visor.



Lighting unit

- Turn off electrical supply before replacing bulbs, and make sure bulbs are cool to touch before proceeding.
- Remove the snap-on lamp cover by levering it from under the metal ring, supporting it with one hand.
- Replace the lamp with a new one of the same type, making sure that you insert the two pins properly into the housings on the lamp holder.
- Replace the snap-on lamp cover.



Gu10 self-ballasted led lamps – listed in accordance with ul 1993/nmx-j-578/1-ance/csa c22.2 No. 1993



CUSTOMER CARE

For any warranty information and service request, contact us:



In USA: <https://us.bertazzoni.com/more/support>
In Canada: <https://ca.bertazzoni.com/more/support>

VEUILLEZ LIRE ET CONSERVER LA PRÉSENTE NOTICE AVANT DE COMMENCER L'INSTALLATION DE LA HOTTE DE CUISINE

AVERTISSEMENT : POUR RÉDUIRE LE RISQUE D'UN FEU DE GRAISSE SUR LA TABLE DE CUISSON :

- a) Ne laissez jamais sans surveillance les éléments de la surface de cuisson à température élevée. Les bouillonnements excessifs peuvent provoquer de la fumée et les débordements de graisse peuvent s'enflammer. L'huile doit être chauffée lentement, à une température basse ou moyenne.
- b) Assurez-vous de toujours mettre en marche le ventilateur de la hotte lorsque vous cuisinez à température élevée ou préparez un mets flambé (p.ex. crêpes Suzette, cerises jubilé, bœuf flambé).
- c) Nettoyez régulièrement les ventilateurs d'aspiration. Assurez-vous de ne pas laisser de la graisse s'accumuler sur le ventilateur ou le filtre.
- d) Utilisez toujours des poêles et casseroles de la taille appropriée. Utilisez toujours des ustensiles de cuisine de la taille adaptée à celle de l'élément chauffant.

AVERTISSEMENT : - POUR PRÉVENIR LES BLESSURES EN CAS DE FEU DE GRAISSE SUR LA TABLE DE CUISSON, SUIVEZ LES RECOMMANDATIONS SUIVANTES* :

- a) ÉTOUFFEZ LES FLAMMES à l'aide d'un couvercle hermétique, d'une plaque à biscuits ou d'un plateau métallique, puis éteignez le brûleur. FAITES ATTENTION AUX BRÛLURES. Si le feu ne s'éteint pas immédiatement, QUITTEZ LES LIEUX ET APPELEZ LES POMPIERS.
- b) NE PRENEZ JAMAIS UNE CASSEROLE EN FLAMME - Vous pourriez vous brûler.
- c) N'UTILISEZ JAMAIS DE L'EAU, ni un linge à vaisselle ou un torchon mouillé, pour éteindre le feu. Cela pourrait provoquer une violente explosion de vapeur.
- d) Utilisez un extincteur UNIQUEMENT si :
 1. Vous êtes certain qu'il s'agit d'un extincteur de classe ABC et que vous connaissez bien son mode d'emploi.
 2. Le feu est de faible intensité et se limite à l'endroit où il a démarré.
 3. Les pompiers ont déjà été appelés.
 4. Une voie de sortie se trouve derrière vous pendant que vous éteignez les flammes.

* D'après le guide « Kitchen Firesafety Tips » publié par la NFPA aux États-Unis

AVERTISSEMENT - POUR RÉDUIRE LE RISQUE D'INCENDIE OU DE CHOC ÉLECTRIQUE, n'utilisez jamais ce ventilateur en association avec un dispositif de réglage de vitesse à semi-conducteurs.

AVERTISSEMENT - POUR RÉDUIRE LES RISQUES D'INCENDIE, DE CHOC ÉLECTRIQUE OU DE BLESSURE CORPORELLE, RESPECTEZ LES INSTRUCTIONS SUIVANTES :

1. Utilisez cet appareil uniquement de la façon prévue par le fabricant. Pour toute question, communiquez avec le fabricant.
2. Avant de procéder à l'entretien ou au nettoyage de l'appareil, coupez l'alimentation au niveau du panneau électrique et verrouillez-le pour vous assurer que l'électricité n'est pas rétablie accidentellement. S'il n'est pas possible de verrouiller le dispositif d'interruption de l'alimentation, affichez de façon ferme et bien visible un avis de danger, par exemple à l'aide d'une étiquette sur le panneau.

ATTENTION : Destiné à un usage de ventilation générale uniquement. N'utilisez pas ce dispositif pour l'aspiration de vapeurs ou de matériaux dangereux ou explosifs.

AVERTISSEMENT - POUR RÉDUIRE LES RISQUES D'INCENDIE, DE CHOC ÉLECTRIQUE OU DE BLESSURE CORPORELLE, RESPECTEZ LES INSTRUCTIONS SUIVANTES :

1. L'installation et le branchement électrique doivent être réalisés par un technicien qualifié et conformément à tous les codes et normes en vigueur, incluant ceux concernant la construction à l'épreuve du feu.
2. Afin de garantir une combustion et une évacuation adéquates des gaz par les conduites de la cheminée des appareils à combustion, une bonne aération est nécessaire pour éviter le refoulement. Respectez les lignes directrices fournies par le fabricant du matériel chauffant, ainsi que les normes de sécurité comme celles publiées par la National Fire Protection Association (NFPA) et la American Society for Heating, Refrigeration and Air Conditioning Engineers (ASHRAE) aux États-Unis, ainsi que les codes en vigueur dans votre région.
3. Lorsque vous faites une ouverture ou percez dans un mur ou le plafond, veillez à ne pas endommager les fils électriques ou d'autres dispositifs cachés.

4. Les ventilateurs canalisés doivent toujours être raccordés à l'extérieur.

TOUTE OUVERTURE DANS LE MUR OU LE PLANCHER À PROXIMITÉ DE LA HOTTE DOIT ÊTRE SCELLÉE.

Un espace libre d'au moins 24" est requis entre le bas de la hotte et la surface de cuisson ou le comptoir. Cette hotte a été homologuée par l'UL à cette distance de la surface de cuisson.

L'espace libre minimal requis peut-être plus grand, selon la réglementation en matière de construction de votre région. Pour les cuisinières à gaz et les cuisinières combinées, un espace minimal de 30" est recommandé et pourrait être exigé.

Les armoires suspendues de chaque côté de l'appareil doivent se trouver à au moins 18" de la surface de cuisson ou du comptoir. Consultez la notice d'installation de la surface de cuisson ou de la cuisinière fournie par le fabricant avant de pratiquer des ouvertures.

INSTALLATION DANS UNE MAISON MOBILE L'installation de cette hotte doit être conforme à la Partie 3280 de la norme Manufactured Home Construction and Safety Standards, Titre 24 CFR (précédemment la partie 280 de la norme Federal Standard for Mobile Home Construction and Safety, Titre 24, HUD). Consultez la fiche technique électrique.

CRITÈRES DE VENTILATION

Déterminez quelle méthode de ventilation est mieux adaptée à votre application. Les conduits peuvent passer par le mur ou le toit.

Pour garantir une meilleure efficacité, la longueur des conduits et le nombre de coudes doivent être le plus limités que possible. Le diamètre des conduits devrait être uniforme. N'installez pas deux coudes ensemble. Utilisez un ruban pour canalisations afin de sceller tous les joints du système de conduits. Utilisez un calfeutrage pour sceller les ouvertures dans le mur extérieur ou le plancher, autour du clapet.

Il n'est pas recommandé d'utiliser des conduits flexibles. Les conduits flexibles provoquent une contre-pression et de la turbulence qui diminuent grandement l'efficacité de l'appareil.

Assurez-vous que l'espace libre dans le mur ou le plancher est suffisant pour le conduit d'évacuation avant de pratiquer les ouvertures. Ne coupez jamais une poutre ou un chevron, sauf si c'est absolument nécessaire. S'il s'avère nécessaire de couper une poutre ou un chevron, la construction d'un renforcement est requise.

AVERTISSEMENT - Pour réduire le risque d'incendie, utilisez uniquement des conduits métalliques.

ATTENTION - Pour réduire le risque d'incendie et pour évacuer adéquatement l'air, assurez-vous de raccorder les conduits à l'extérieur – Ne diffusez pas l'air d'évacuation dans des espaces à l'intérieur des murs ou du plafond, ou encore à l'intérieur d'un grenier, d'une galerie technique ou d'un garage.

Installation dans les climats froids

Le système de ventilation doit prévoir un registre antirefoulement supplémentaire pour réduire le flux d'air froid inverse, ainsi qu'une barrière thermique non métallique pour réduire la conduction des températures extérieures. Le registre doit être installé du côté air froid par rapport à la barrière thermique. La barrière thermique doit être positionnée le plus près que possible de l'endroit où le système de ventilation pénètre dans la partie chauffée de la maison.



AVERTISSEMENT

- Le système de ventilation DOIT déboucher à l'extérieur.
- **NE FAITES PAS** déboucher les conduits dans un grenier ou un autre endroit fermé.
- **N'UTILISEZ PAS** un clapet de sècheuse mural de 4 po.
- Il n'est pas recommandé d'utiliser des conduits flexibles.
- **N'ENTRAVEZ PAS** le flux de l'air de combustion et de ventilation.
- Le non-respect des exigences en matière de ventilation pourrait entraîner un incendie.

FICHE TECHNIQUE ÉLECTRIQUE

Une alimentation de courant alternatif de 120 volts à 60 Hz est requise sur un circuit à fusible distinct de 15 ampères. Il est recommandé d'installer un fusible temporisé ou un disjoncteur. Le fusible doit être calibré conformément aux codes en vigueur pour les caractéristiques nominales électriques de l'appareil, indiquées sur la plaque signalétique située à l'intérieur de l'appareil, à proximité du compartiment des câblages externes.



AVERTISSEMENT

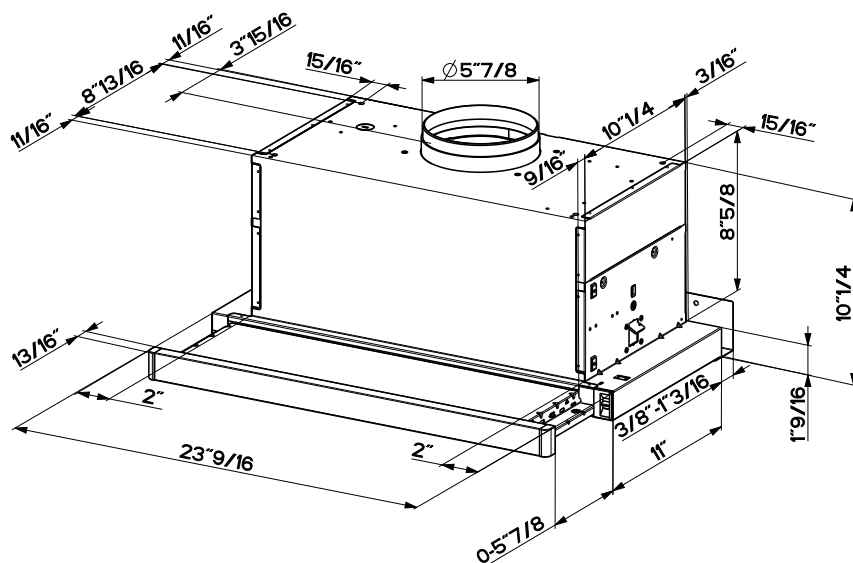
- Une mise à la terre électrique est requise pour cette hotte.
- N'UTILISEZ PAS un tuyau d'eau froide pour la mise à la terre si celui-ci est branché par des joints en plastique, par des rondelles non métalliques ou d'autres matériaux.
- N'UTILISEZ PAS une conduite de gaz pour la mise à la terre.
- N'INSTALLEZ PAS un fusible sur le circuit neutre ou le circuit de mise à la terre. La présence d'un fusible dans le circuit neutre ou de mise à la terre peut entraîner un choc électrique.
- Consultez un électricien qualifié si vous n'êtes pas certain de la mise à la terre de la hotte.
- Le non-respect des exigences de la fiche technique électrique pourrait entraîner un incendie.

Avertissement de la proposition 65 de l'État de Californie (US seulement)

ATTENTION

Ce produit contient des produits chimiques connus de l'État de Californie pour causer le cancer et des malformations congénitales ou d'autres problèmes de reproduction. Pour plus d'informations, visitez www.P65Warnings.ca.gov

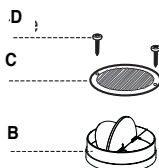
DIMENSIONS



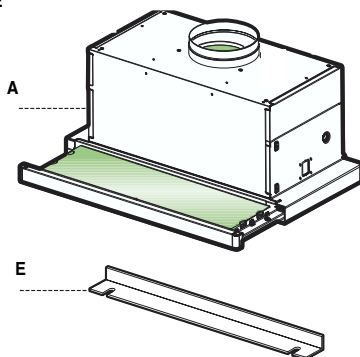
Planification de l'installation - Important : Il est recommandé d'installer cette hotte à une distance d'au moins 24" de la surface de cuisson et à une distance maximale de 30" pour une efficacité optimale. Reportez-vous également aux recommandations du fabricant de la surface de cuisson.

REMARQUE : En cas de ventilation vers le haut (position standard), utiliser le diagramme des dimensions de gauche. Reportez-vous à la page 27 pour de plus amples renseignements sur la ventilation directement à l'arrière.

ASSEMBLAGE DE LA HOTTE



- A. HOTTE
- B. LE REGISTRE
- C. LA GRILLE EN PLASTIQUE
- D. LES VIS DE FIXATIONS
- E. PANNEAU DE JONCTION



OUTILS REQUIS POUR L'INSTALLATION

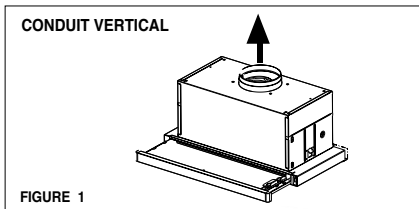
- Scie sauteuse ou scie à découper
- Perceuse
- Mèche pour bois de 1 1/4"
- Pincés
- Tournevis cruciforme
- Dénudeur de fil ou couteau tout usage
- Cisailles à métaux
- Ruban à mesurer ou règle
- Niveau
- Crayon
- Pistolet de calfeutrage
- Ruban pour canalisation

PIÈCES FOURNIES POUR L'INSTALLATION

- 1 registre antirefoulement
- 1 grille d'évent (pour installation avec recyclage uniquement)
- 1 garniture de vinyle
- 1 documentation

PIÈCES REQUISES POUR L'INSTALLATION

- 2 connecteurs de conduit
- Câble d'alimentation électrique
- 1 clapet mural ou clapet de toiture
- Canalisation entièrement métallique



PLANIFIER LA CANALISATION

La hotte coulissante KTV24XV est conçue pour offrir une grande flexibilité d'installation. Le conduit peut être canalisé verticalement à travers un évent rond de 6".

L'unité peut également être installée dans une configuration de recirculation. L'unité est livrée en standard dans la position de ventilation supérieure.

La FIGURE 1 montre les installations verticales de cette unité.

La FIGURE 2 montre l'installation de recirculation. Le KTV24XV nécessite des conduits ronds de 6".

Pour garantir que le ventilateur fonctionne à sa capacité la plus élevée possible, les conduits doivent être aussi courts et droits que possible.

Le conduit ne doit pas dépasser 35 pieds s'il est conduit avec le minimum requis de conduit rond de 6".

Calculez la longueur des conduits en ajoutant les pieds équivalents sur la FIGURE A pour chaque morceau de conduit du système. Un exemple est donné sur la FIGURE B.

Pour de meilleurs résultats, n'utilisez pas plus de trois coudes à 90°. Assurez-vous qu'il y a au moins 24 po de conduit droit entre les coudes si vous en utilisez plusieurs. N'installez pas deux coudes ensemble.

Si vous devez couder tout de suite, faites-le le plus loin possible de l'ouverture d'échappement de la hotte.

45° Coude	3.0 pieds
90° Coude	5.0 pieds
90° Coude plat	12.0 pieds
Clapet mural	0.0 pieds

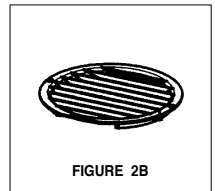
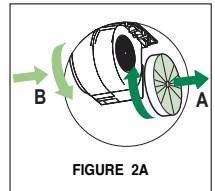
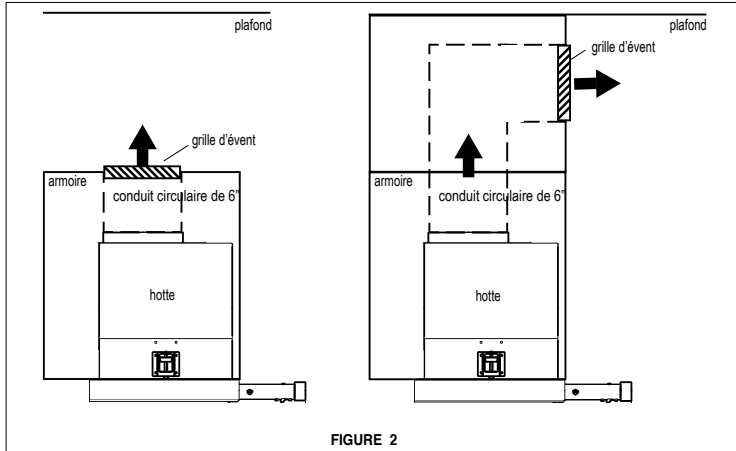
FIGURE A

Conduit droit de 9 pieds	9.0 pieds
2 - 90° coudes	10.0 pieds
Clapet mural	0.0 pieds
Système total	19.0 pieds

FIGURE B

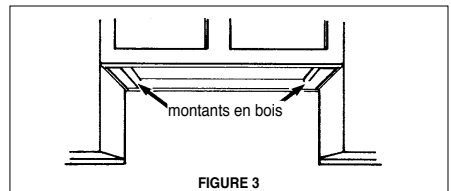
INSTALLATIONS AVEC RECYCLAGE

Pour les installations avec recyclage (**FIGURE 2**), il est nécessaire d'installer des filtres à charbon. Retirez les 2 filtres à graisse et mettez-les à part. Posez un filtre à charbon à chaque extrémité du ventilateur. Chaque filtre à charbon se fixe à la grille noire sur le côté du ventilateur. Faites tourner le filtre dans le sens des aiguilles d'une montre pour l'installer et dans le sens contraire des aiguilles d'une montre pour l'enlever (**FIGURE 2A**). Remettez les quatre filtres à graisse en place. Une canalisation doit être installée pour évacuer la hotte dans la cuisine, soit au sommet des armoires ou sur la face du parement. Une grille d'évent de plastique (**FIGURE 2B**) fournie avec la hotte peut être utilisée pour couvrir l'ouverture du conduit. Cette canalisation ne doit pas se terminer dans un espace sans circulation d'air.

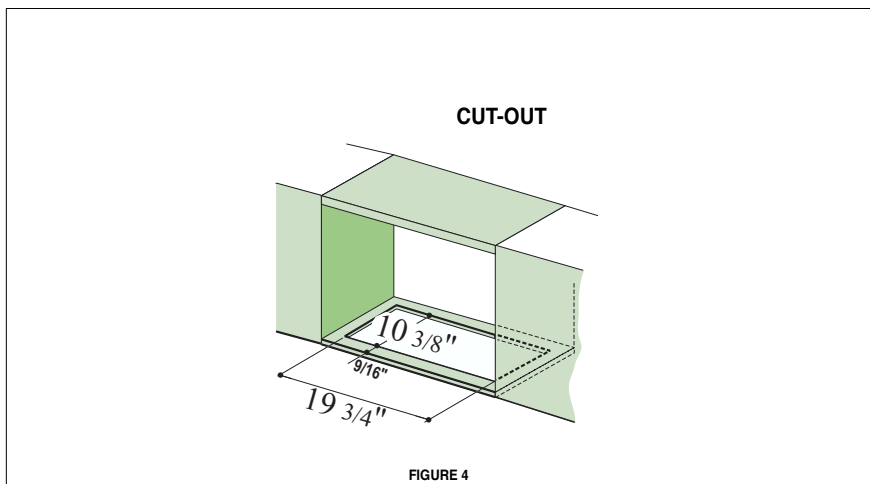


PRÉPARATION DE L'ARMOIRE

1. Débrancher et enlever la cuisinière afin d'avoir un meilleur accès aux armoires supérieures et au mur arrière. Placer un recouvrement épais sur la plaque de cuisson, la cuisinière encastrée ou le dessus du comptoir pour protéger des dommages et de la poussière.
2. Déterminer et marquer clairement, à l'aide d'un crayon, la ligne centrale sur le mur où la hotte sera installée.
3. Si le bas de l'armoire est en retrait, il faut installer des montants en bois afin d'assurer un alignement approprié avec le bas de l'armoire. Ces montants en bois doivent être égaux ou en retrait de 1/16 à 1/8 po avec le bas de l'armoire, tel qu'il est illustré à la **FIGURE 3**.



4. Déterminer et faire toutes les coupes nécessaires dans le mur pour les conduits. Installer les conduits avant la hotte.
5. Déterminer l'emplacement approprié pour le câble d'alimentation. Utiliser une mèche de 1 1/4 po pour faire un trou et y passer le câble d'alimentation. Utiliser du calfeutrage pour sceller tout autour du trou. **NE PAS** mettre en circuit tant que l'installation n'est pas complétée.



DÉCOUPER L'OUVERTURE OÙ LA HOTTE SERA INSTALLÉE (FIGURE 4).

INSTALLATION DE LA HOTTE

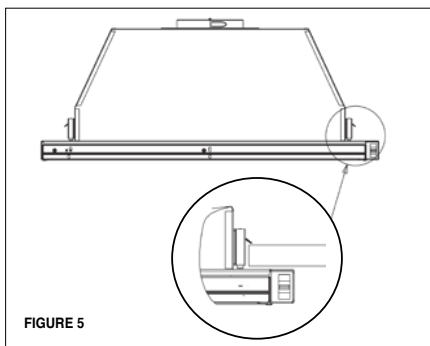
1. Retirer l'appareil de la boîte et le déposer sur une surface plate pour l'assemblage. Couvrir la surface pour éviter tout dommage. Retirer toutes les pièces incluant les le registre à clapet, la grille en plastique, et nécessaire de documentation avant de jeter la boîte. Retirer les filtres pour la graisse de l'appareil et mettre de côté.

2. Placer le registre rond dans l'ouverture d'échappement de la hotte et appuyer fortement sur le registre.

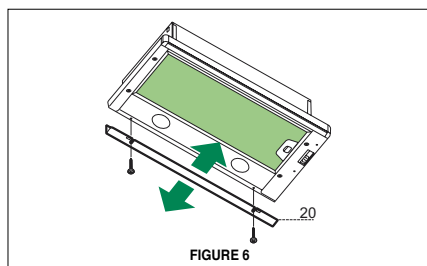
3. Installer la hotte sur l'armoire à l'aide de deux fixations à ressort, une de chaque côté de la hotte (FIGURE 5). Placer la hotte dans l'ouverture pratiquée dans l'armoire. Attention de ne pas endommager l'armoire, la hotte ou d'autres appareils.

4. Les fixations à ressort sont fournies à la usine afin de contenir une épaisseur compris entre 1 3/16" et 2 1/4". Si le fond de votre armoire est profond moins de 1 3/16" est possible d'enlever les fixations à ressort et les positionnes en bas enlavan le 4 vis.

5. Utiliser un tournevis Phillips et serrer la vis de reglement tandis que les fixations s'attachent fortement à la surface.



6. Une bande (FIGURE 6) est incorporée dans l'emballage afin de couvrir la partie inférieure à vis de l'armoire. La bande est fixée sur la partie inférieure en bas de la hotte par deux vis.



7. Retirer le couvercle du compartiment de filage. Passer le câble d'alimentation dans la pastille enfonçable. Attacher le fil blanc du câble d'alimentation sur le fil blanc de la hotte avec une cosse. Attacher le fil noir du câble d'alimentation au fil noir de la hotte avec une cosse. Brancher le fil de mise à la terre vert (jaune et vert) sous la vis de mise à la terre verte. Utiliser les quatre trous fournis et fixer le compartiment de filage au mur ou à l'armoire, déterminé par l'emplacement du câble d'alimentation (vis non fournies). Replacer le couvercle.

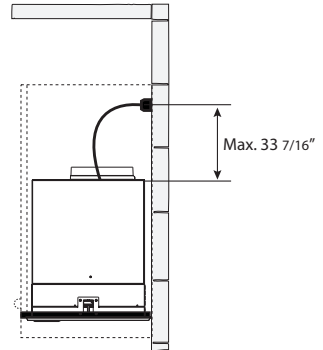
7 INSTALLATION ÉLECTRIQUE AVEC CÂBLE DE CONNEXION

INSTRUCTIONS DE MISE À LA TERRE Cet appareil doit être mis à la terre. La mise à la terre réduit le risque de choc électrique en cas de court-circuit, car elle fournit un fil d'évacuation au courant électrique. Cet appareil est muni d'un cordon présentant un fil de mise à la terre, avec une fiche de mise à la terre. La fiche doit être insérée dans une prise correctement installée et mise à la terre.

AVERTISSEMENT - Une mise à la terre inadéquate peut entraîner un choc électrique.

Consultez un électricien qualifié si vous ne comprenez pas parfaitement les instructions de mise à la terre ou si vous avez des doutes quant à la mise à la terre de l'appareil.

N'utilisez pas de rallonge. Si le cordon d'alimentation est trop court, demandez à un électricien qualifié d'installer une prise à proximité de l'appareil.

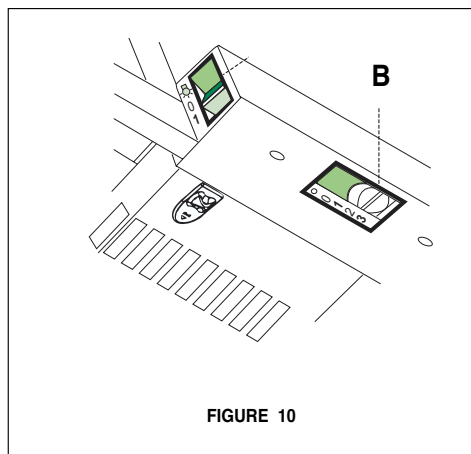


AVERTISSEMENT - "Le cordon d'alimentation doit être accessible pour l'inspection après l'installation".

INFORMATIONS POUR L'UTILISATION ET L'ENTRETIEN

Pour de meilleurs résultats

Activez la hotte quelques minutes avant de commencer à cuisiner pour créer un flux d'air adéquat. Laissez la hotte fonctionner quelques minutes après avoir fini de cuisiner pour absorber toute la fumée et les odeurs de la cuisine.



Panneau de commande de la hotte

Toutes les commandes sont situées sur le côté droit de la hotte.

Interrupteur d'éclairage

L'interrupteur de l'éclairage DEL se trouve derrière la garniture avant. Placer l'interrupteur à la position 1 pour allumer l'éclairage. Placer l'interrupteur à la position 0 pour éteindre l'éclairage.

Commutateur de réglage de vitesse du ventilateur

B sur la FIGURE 10 représente le commutateur de réglage de vitesse du ventilateur. Placer le commutateur à la position 1 pour allumer le ventilateur à la vitesse RÉDUITE. Placer le commutateur à la position 2 pour allumer le ventilateur à la vitesse MOYENNE. Placer le commutateur à la position 3 pour allumer le ventilateur à la vitesse ÉLEVÉE. Placer l'interrupteur à la position 0 pour éteindre le ventilateur.

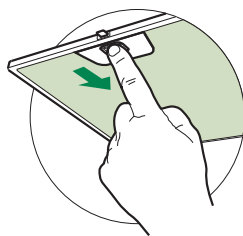
Fonctionnement automatique

Si le commutateur du ventilateur et l'interrupteur de l'éclairage sont allumés, le ventilateur et l'éclairage sont activés automatiquement quand le panneau coulissant est ouvert, et ils sont désactivés quand le panneau coulissant est fermé.

Nettoyage des filtres à graisse métalliques

Les filtres à graisse métalliques peuvent être lavés dans une solution d'eau chaude savonneuse ou dans le lave-vaisselle. Ils devraient être nettoyés tous les 2 mois d'utilisation, ou plus fréquemment en cas d'utilisation particulièrement intensive.

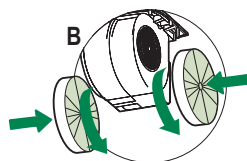
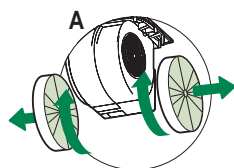
- Ouvrez le panneau coulissant en le tirant.
- Retirez le filtre, en poussant simultanément le levier vers l'arrière de l'appareil et en le tirant vers le bas.
- Lavez le filtre sans le plier. Laissez-le sécher complètement avant de le réinstaller (un changement de la couleur à la surface du filtre au fil du temps n'a aucun impact sur son efficacité).
- Remettez-le en place, en vous assurant que la poignée se trouve vers l'avant.
- Le lave-vaisselle pourrait ternir le fini du filtre à graisse métallique.
- Fermez le panneau coulissant.



Remplacement du filtre à charbon actif

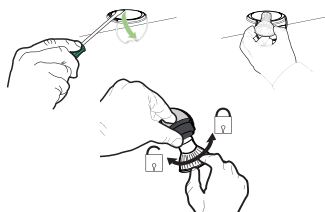
Les filtres à charbon actif ne sont pas lavables et ne peuvent être régénérés. Ils doivent être remplacés environ tous les 4 mois d'utilisation, ou plus souvent en cas d'utilisation intensive.

- Ouvrez le panneau coulissant en le tirant.
- Retirez le filtre, en le poussant simultanément vers l'arrière de l'appareil et en le tirant vers le bas.
- Retirez les filtres à charbon actif saturés comme indiqué (A).
- Posez les nouveaux filtres, comme indiqué (B).
- Remettez-les en place, en vous assurant que la poignée se trouve vers l'avant.
- Fermez le panneau coulissant.



Système d'éclairage

- Coupez l'alimentation électrique avant de remplacer les ampoules et assurez-vous qu'elles sont froides au toucher avant de commencer.
- Retirez l'écran protecteur de la lampe en faisant un effet de levier sous l'anneau métallique, en le soutenant d'une main.
- Remplacez l'ampoule avec une nouvelle du même type, en vous assurant d'insérer correctement les deux connecteurs dans leur logement sur le socle.
- Remettez l'écran protecteur de la lampe en place.



Lampes DEL à ballast intégré de type Gu10 – répondant à la norme UL 1993/nmx-j-578/1-ance/csa c22.2 No 1993



SERVICE CLIENTÈLE

Pour toute information sur la garantie et demande de service, contactez-nous:



Aux États-Unis :
Au Canada:

<https://us.bertazzoni.com/more/support>
<https://ca.bertazzoni.com/more/support>

