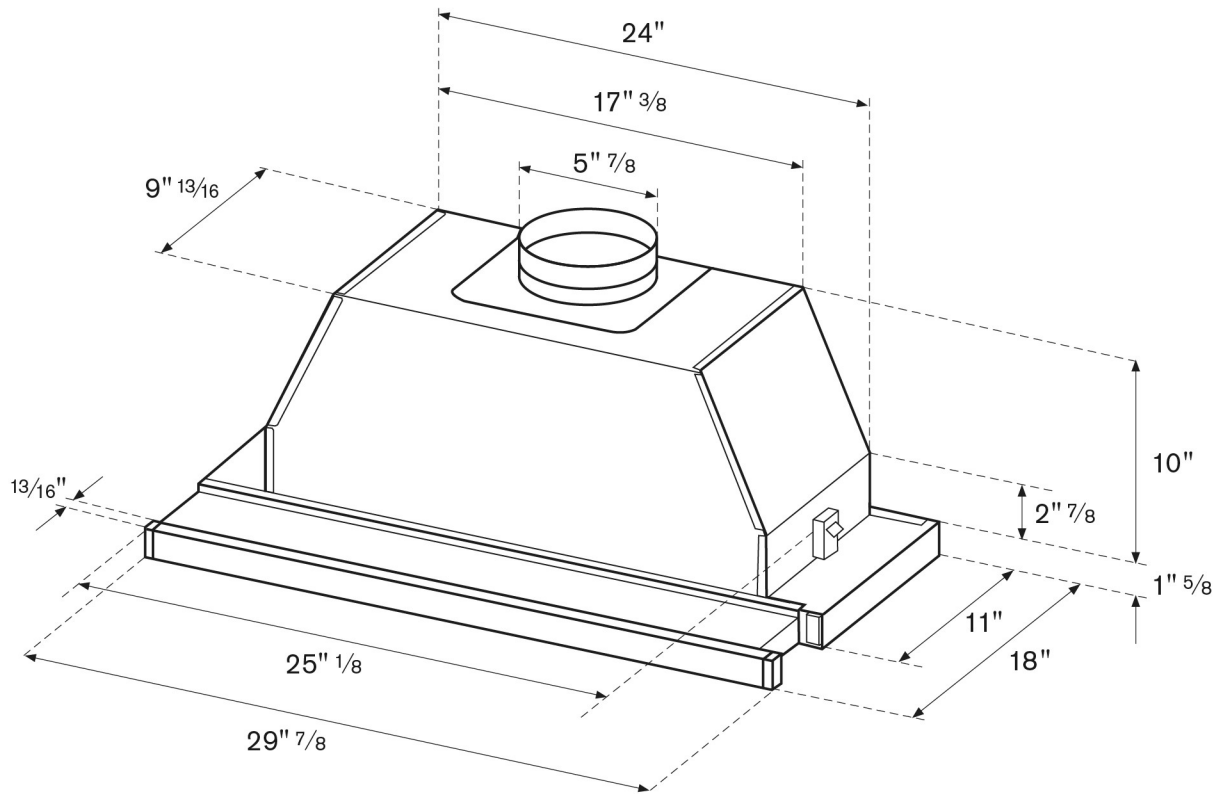


PRODUCT DIMENSIONS



Hood Clearance

Recommended height above cooking surface:
min 24" for electric worktop
min 30" for gas worktop

CUT-OUT DIMENSIONS

