
BERTAZZONI PROFESSIONAL SERIES

48" UNDERMOUNT CANOPY HOOD

KU48 PRO 2 X/14

HIGHLIGHTS

- Double motor canopy hood features a medium or full width duct cover as optional.
- 2x600 CFM max extraction power with two motors controlled by 3 speed settings.
- 4 halogen lights give exceptionally bright worktop illumination.

FEATURES

| | |
|-----------------------------|-------------------------|
| Hood finishing | stainless steel |
| Motor | 2 |
| Speed | 3 |
| Hood control | electronic with buttons |
| Halogen lights | 4 |
| Filters | baffle stainless steel |
| Max extraction power | 2x600 CFM |
| Sound Rating | 1.6 - 10.6 Sones |

TECHNICAL SPECIFICATIONS

| | |
|------------------------------------|-------------------------|
| Electrical Requirements | 120 V 60 Hz |
| Max Amp usage, power rating | 6.6 A - 800 W |
| Certification | CSA |
| Warranty | 2 years parts and labor |

ACCESSORIES

| | |
|------------------------------|-------------|
| Medium duct cover | code 901263 |
| Duct extension kit | code 901255 |
| Kit baffle filters | code 901365 |
| Recirculation kit | code 901394 |
| Full-width duct cover | code 901261 |
| Air Bracket | code 901264 |

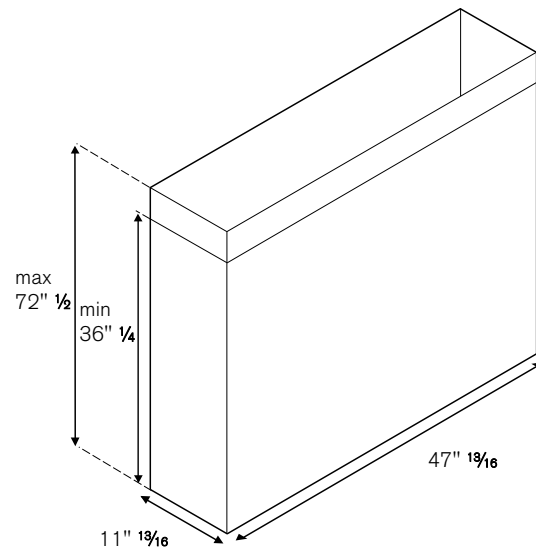
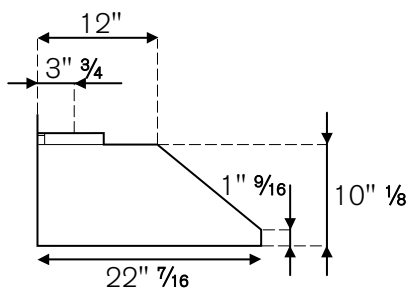
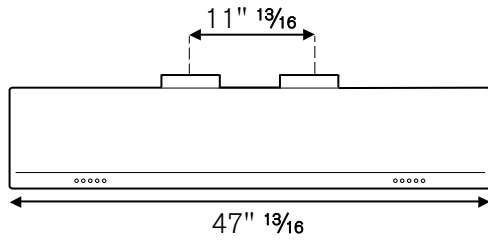
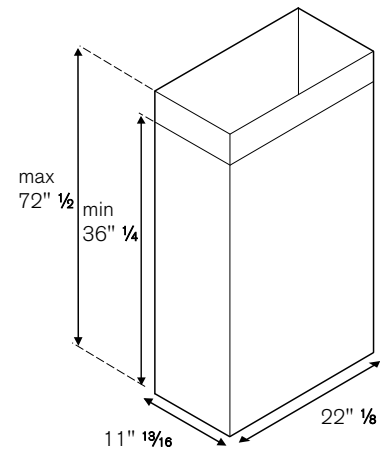
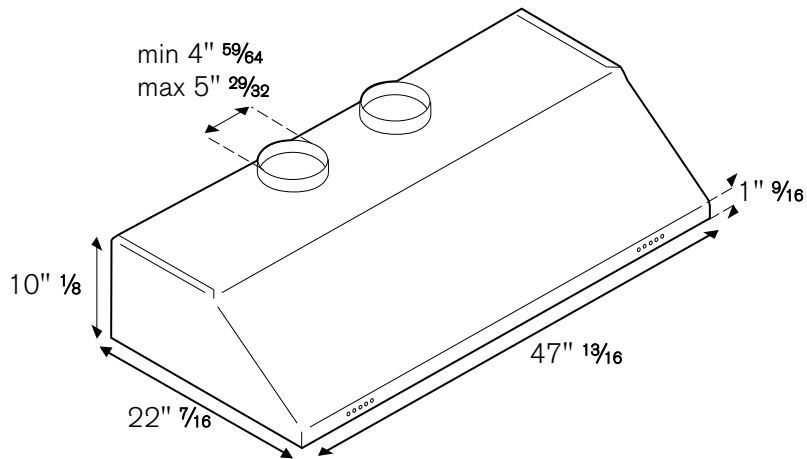
All KU hoods can be installed under 12" deep wall cabinets or with the optional height-adjustable medium- and full-width duct covers.



TO COOK BEAUTIFULLY
WWW.BERTAZZONI.COM

INSTALLATION INSTRUCTIONS

KU48 PRO 2 X/14



Bertazzoni recommends to operate the appliance after it has been properly installed. Please refer to the installation manual for further details.

Disclaimer: while every effort has been made to insure the accuracy of the information contained in this brochure, Fratelli Bertazzoni reserves the right to change any part of the information at any time without notice.

Fratelli Bertazzoni, Bertazzoni and the winged wheel brand icon are registered trademarks of Bertazzoni Spa.