

ICE MAKER OWNER'S MANUAL

MANUEL D'UTILISATION DE LA MACHINE À GLAÇONS

Table of Contents/Table des matières

ICE MAKER SAFETY	2	SÉCURITÉ DE LA MACHINE À GLAÇONS	21
Ice Maker Safety.....	2	Sécurité de la machine à glaçons.....	21
IMPORTANT CONSUMER INFORMATION	3	RENSEIGNEMENTS IMPORTANTS POUR LE	
Important Consumer Information.....	3	CONSOmmATEUR	22
ICE MAKER MAINTENANCE AND CARE	4	Renseignements importants pour le consommateur.....	22
How Ice Maker Works.....	4	ENTRETIEN ET RÉPARATION DE LA MACHINE À	
Normal Sounds.....	4	GLAÇONS	23
Water Filtration System.....	4	Comment utiliser la machine à glaçons.....	23
Interior Cleaning.....	5	Sons normaux.....	23
Exterior Cleaning.....	6	Système de filtration d'eau.....	23
Vacation or Extended Time Without Use.....	7	Nettoyage de l'intérieur.....	24
INSTALLATION INSTRUCTIONS	7	Nettoyage des surfaces externes.....	26
Unpack Ice Maker.....	7	Vacances ou longue période d'inutilisation.....	27
Location Requirements.....	7	INSTRUCTIONS D'INSTALLATION	27
Electrical Requirements.....	9	Déballage de la machine à glaçons.....	27
Drain Connection Requirements.....	9	Exigences d'emplacement.....	27
Drain Pump Installation (on some models).....	10	Electrical Requirements.....	29
Water Supply Requirements.....	13	Exigences concernant le raccordement au drain.....	29
Connect Water Supply.....	14	Installation de la pompe de vidange (sur certains	
Connecting the Drain.....	15	modèles).....	30
Leveling and Securing.....	15	Spécifications de l'alimentation en eau.....	34
Custom Wood Panel.....	18	Raccordement à la canalisation d'eau.....	34
Auxiliary Grille Installation.....	20	Raccordement de la vidange.....	36
Ice Maker Installation Checklist.....	20	Leveling and Securing.....	36
		Panneau de bois personnalisé.....	39
		Installation de la grille auxiliaire.....	41
		Liste de Vérification pour l'Installation de la	
		Machine à Glaçons.....	41

ICE MAKER SAFETY

Your safety and the safety of others are very important.

We have provided many important safety messages in this manual and on your appliance. Always read and obey all safety messages.



This is the safety alert symbol.

This symbol alerts you to potential hazards that can kill or hurt you and others.

All safety messages will follow the safety alert symbol and either the word "DANGER" or "WARNING." These words mean:

▲ DANGER

You can be killed or seriously injured if you don't immediately follow instructions.

▲ WARNING

You can be killed or seriously injured if you don't follow instructions.

All safety messages will tell you what the potential hazard is, tell you how to reduce the chance of injury, and tell you what can happen if the instructions are not followed.

IMPORTANT SAFETY INSTRUCTIONS

WARNING: To reduce the risk of fire, electric shock, or injury to persons when using your appliance, follow basic precautions, including the following:

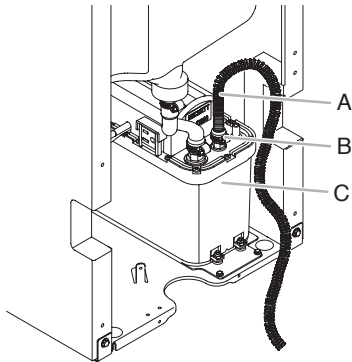
- Children should be supervised to ensure that they do not play with the appliance.
- This appliance is not intended for use by persons (including children) with reduced physical, sensory, or mental capabilities, or lack of experience and knowledge, unless they have been given supervision or instruction concerning use of the appliance by a person responsible for their safety.
- Do not use an extension cord.
- If power supply cord is damaged, it must be replaced by the manufacturer, its service agent, or a similarly qualified person in order to avoid a hazard.
- Connect to potable water supply only.
- This appliance is intended to be used in household and similar applications such as: staff kitchen areas in shops, offices, and other working environments; farm houses and by clients in hotels, motels, and other residential-type environments; bed and breakfast-type environments; and catering and similar non-retail applications.
- Do not store explosive substances such as aerosol cans with a flammable propellant in this appliance.
- Do not use replacement parts that have not been recommended by the manufacturer (e.g., parts made at home using a 3D printer).

SAVE THESE INSTRUCTIONS

IMPORTANT CONSUMER INFORMATION

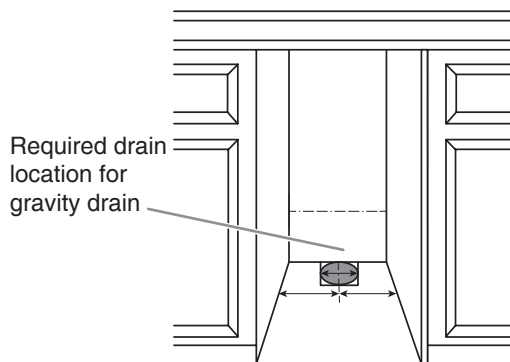
Important Consumer Information

1. If your drain is located above ground level and your unit does not come with a drain pump, you will need to purchase accessory drain pump kit 1901A.

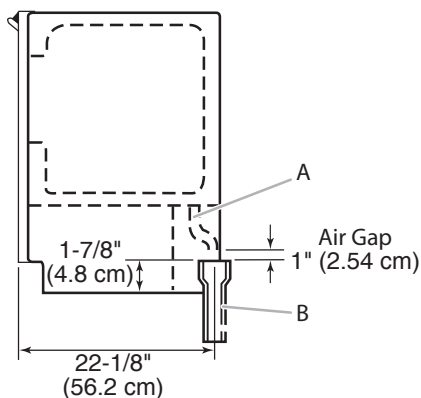


A. Drain Tube
B. Clamp
C. Drain Pump

2. For gravity drain models, drain location must meet the specifications listed in the installation Instructions.

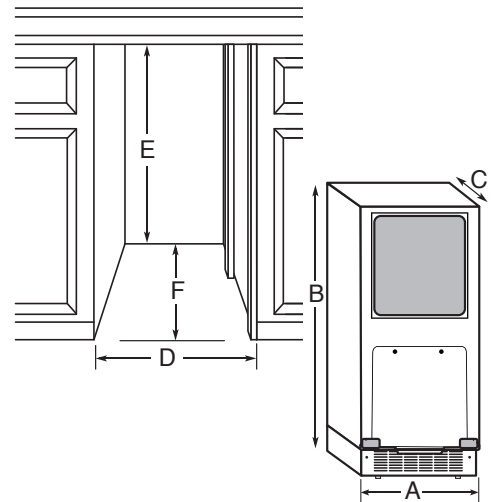


Required drain location for gravity drain

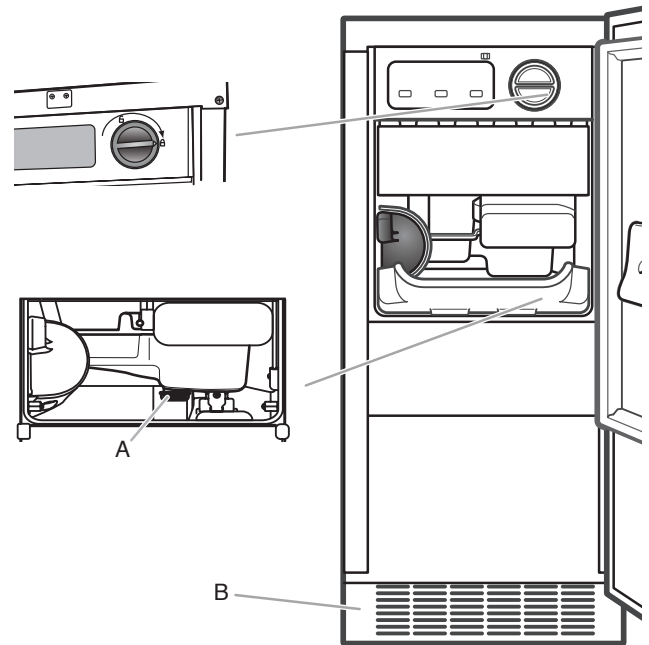


A. Drain Hose
B. PVC Drain Reducer

3. Verify width, height and depth of opening meets the product requirements identified in the installation Instructions.



4. Water filter must be fully secured. Align arrow marking on filter with "locked" symbol on the unit. Replace filter every 9 months for optimal results.



A. Drain Cap
B. For ventilation

5. Verify that reservoir cap is tight after cleanings or inspections.
6. To ensure proper ventilation, the front side must be completely unobstructed.

IMPORTANT: After unit is connected to power and in its final location: Pour 1 gallon of water into the ice storage bin; water should drain out. If it does not, there could be a kinked drain tube. Check drain tube routing for restrictions. Check for leaks as well.

Refer to Use and Care Guide and Installation Instructions for full instructions.

CUSTOMER AWARENESS: FOLLOWING BEHAVIORS ARE ALL PART OF NORMAL OPERATION OF UNIT

- Water will drain through the ice after each cycle.
- Warm air will be exhausted through the kick plate.
- Water flowing and ice clinking inside of unit may be audible.
- Compressor and condenser fan sounds may be audible.

ICE MAKER MAINTENANCE AND CARE

How Your Ice Maker Works

When you first start your ice maker, the water pan will fill and the system will rinse itself before starting to make ice. The rinsing process takes about 5 minutes.

Under normal operating conditions, the ice maker will cycle at preset temperatures. The ice level sensor located in the ice storage bin will monitor the ice levels.

NOTE: If the water supply to the ice maker is turned off, be sure to set the ice maker control to Off.

Normal Sounds

Your new ice maker may make sounds that are not familiar to you. Because the sounds are new to you, you might be concerned about them. Most of the new sounds are normal. Hard surfaces such as floors, walls, and cabinets can make the sounds seem louder than they actually are. The following describes the kinds of sounds that might be new to you and what may be making them.

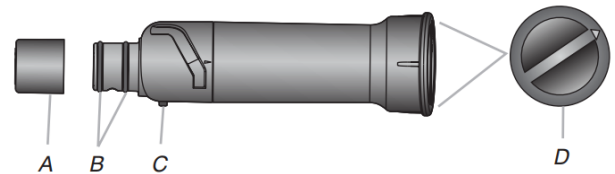
- You will hear a buzzing sound when the water valve opens to fill the water pan for each cycle.
- Rattling noises may come from the flow of the refrigerant or the water line. Items stored on top of the ice maker can also make noises.
- The high-efficiency compressor may make a pulsating or high-pitched sound.
- Water running over the evaporator plate may make a splashing sound.
- Water running from the evaporator plate to the water pan may make a splashing sound.
- As each cycle ends, you may hear a gurgling sound due to the refrigerant flowing in your ice maker.
- You may hear air being forced over the condenser by the condenser fan.
- During the harvest cycle, you may hear a “thud” when the ice sheet slides from the evaporator onto the cutter grid.
- When you first start the ice maker, you may hear water running continuously. The ice maker is programmed to run a rinse cycle before it begins to make ice.
- If the ice maker is connected to a water supply pressure in excess of 60 psi, you may hear a loud sound during water filling associated with the flow of water through the inlet valve. Call a licensed, qualified plumber to determine the best method to reduce the supply water pressure (50 psi is recommended).

Water Filtration System

Do not use with water that is microbiologically unsafe or of unknown quality without adequate disinfection before or after the system. Systems certified for cyst reduction may be used on disinfected waters that may contain filterable cysts.

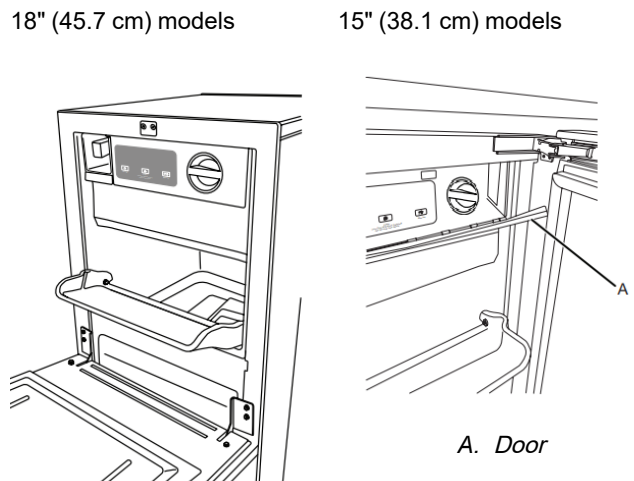
Installing a Water Filter

1. Purchase an approved water filter.
2. Take the water filter out of its packaging and remove the cover from the O-rings. Be sure the O-rings are still in place after the cover is removed.



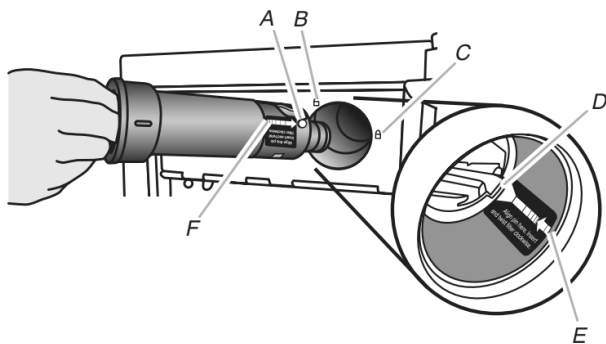
A. Cover
B. O-rings
C. Alignment pin
D. Alignment arrow

3. The water filter compartment is located in the right-hand side of the ice maker controls. If the door is equipped on the 15" (38.1 cm) models, push in on the door to release the latch, and then lower the door.



A. Door

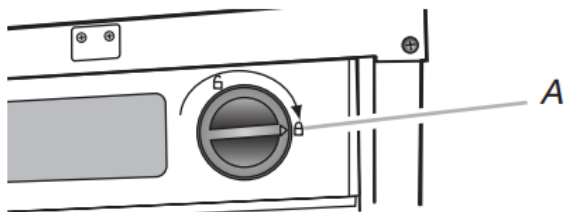
- Using the arrow pointing to the alignment pin on the side of the filter and the arrow inside the control housing, align the alignment pin with the cutout notch and insert the filter into the housing.



- | | |
|--------------------|--|
| A. Alignment pin | D. Cutout notch inside control housing |
| B. Unlocked symbol | E. Arrow pointing to cutout notch |
| C. Locked symbol | F. Arrow pointing to alignment pin |

- Turn the filter clockwise until it locks into the housing. Ensure that the alignment arrow on the filter head aligns with the locked symbol on the control box housing.

NOTE: If the filter is not correctly locked into the housing, the ice maker will not produce ice.



- A. Alignment arrow aligned with locked symbol

- For 15" (38.1 cm) models, push the control box door closed until the latch snaps closed.

Interior Cleaning

⚠WARNING



Electrical Shock Hazard

Disconnect power before cleaning.

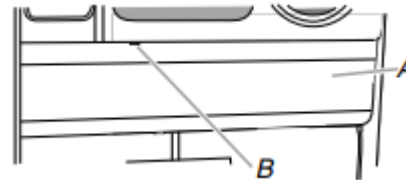
Replace all parts and panels before operating.

Failure to do so can result in death or electrical shock.

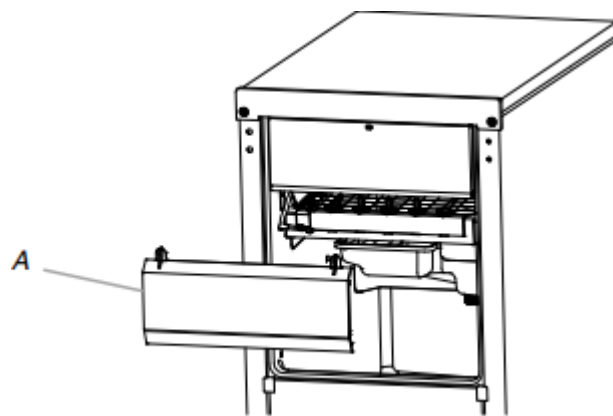
Interior Components

- Unplug ice maker or disconnect power.
- Open the storage bin door and remove any ice that is in the bin.

- Remove the drain cap from the water pan and drain thoroughly. Replace the drain cap securely on the water pan. If the drain cap is loose, water will empty from the water pan, and you will have either thin ice or no ice.
 - Pull out on the bottom of the cutter grid cover until the snaps release to remove.
- NOTE:** On some models, remove the screw from the cutter grid cover.

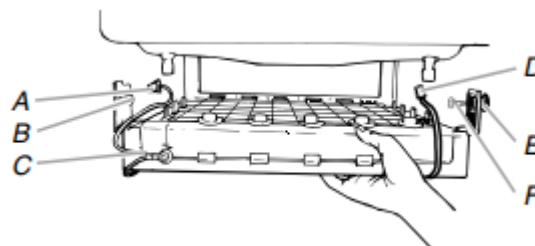


- A. Cutter grid cover
B. Screw (on some models)



- A. Cutter grid cover

- Unplug the wiring harness from the left side of the cutter grid.

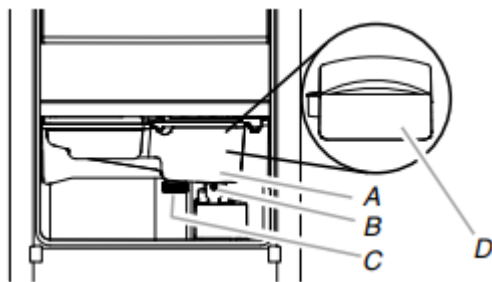


- | | |
|------------------------|-----------------------------|
| A. Cutter grid harness | D. Ice level sensor harness |
| B. Screw | E. Plastic spacer |
| C. Cutter grid | F. Screw |

- Unplug the ice level sensor harness from the right side of the cutter grid. Pull the ice level sensor down and forward away from the cutter grid.
- Remove the right-hand and left-hand screws. Lift the cutter grid up and out.

NOTE: Make sure the plastic spacer from the right-hand side of the cutter grid bracket stays with the cutter grid.

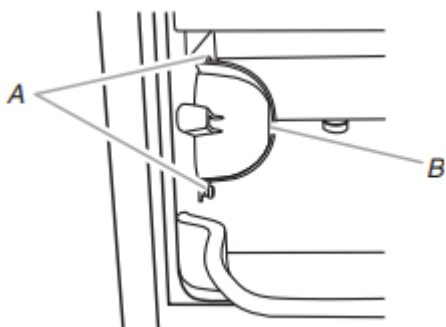
- Remove the mounting screw that holds the water pan in place. Pull out on the front of the water pan.



A. Water pan C. Drain cap
B. Water pan screw D. Drain pump cover

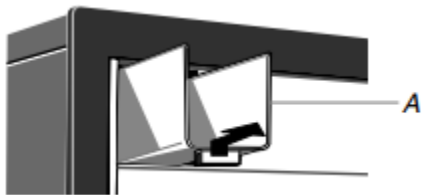
- Disconnect the pump bracket from the water pan and unplug the water pan drain pump.
- Remove, clean, and replace the ice scoop holder and ice scoop.
NOTE: On some models, the ice scoop holder is located in the upper left of the unit, and on other models, the ice scoop holder is located in the lower left of the unit.

Lower left



A. Screw
B. Ice scoop holder

Upper left



A. Ice scoop holder

On Some Models

- After removing the ice scoop, remove the holder by removing the two screws.
NOTE: On some upper left models, remove the holder by lifting up on the ice scoop holder and then out.
- Wash the ice scoop holder and ice scoop along with the other interior components using the following instructions.
- Replace the ice scoop holder by replacing the screws or, on some upper left models, pushing in on the holder and then down.

- Wash the interior components (cutter grid, exterior of hoses, and water pan) and the storage bin, door gasket, ice scoop, and ice scoop holder with mild soap or detergent and warm water. Rinse in clean water. Then clean the same parts with a solution of 1 tbs (15 mL) of household bleach in 1 gal. (3.8 L) warm water. Rinse again thoroughly in clean water.

NOTE: Do not remove hoses. Do not wash plastic parts in dishwasher. They cannot withstand temperatures above 145°F (63°C).

- To replace the water pan, set the water pan inside the ice bin. Hook up the water pan pump. Snap the pump bracket back onto the water pan and place back into position. Secure the water pan by replacing the mounting screw.
- Check the following:
 - Drain cap from the water pan is securely in place. If the drain cap is loose, water will empty from the water pan, and you will have either thin ice or no ice.
 - Hose from water pan is inserted into storage bin drain opening.
- Slide the cutter grid back into place and secure it by replacing the right-hand screw and plastic spacer. Then tighten the left-hand screw. Reconnect the cutter grid harness and the ice level sensor harness.
- Replace the cutter grid cover.
NOTE: On some models, replace the cutter grid cover using the screw removed earlier.
- Gently wipe the control panel with a soft, clean dishcloth using warm water and a mild liquid dish detergent.
- Plug in ice maker or reconnect power.
- After cleaning, make sure that all controls are set properly and that no control indicators are flashing.

Quick Clean

You will need to use one 16 ounce (473 mL) bottle of approved ice maker cleaner. We recommend using the *affresh® Ice Machine Cleaner.

Exterior Cleaning

The ice making system and the air-cooled condenser need to be cleaned regularly for the ice maker to operate at peak efficiency and to avoid premature failure of system components. See the "Ice Maker System" and the "Condenser" sections.

Exterior Surfaces

Wash the exterior surfaces and gaskets with warm water and mild soap or detergent. Wipe and dry. We recommend using a clean microfiber cloth or a soft clean cloth to polish and dry.

For ice makers with a painted or colored exterior, regular use of a good household appliance cleaner and polish will help protect the finish. Using paper towels may scratch and/or dull the clear coat of the painted door.

For ice makers with a fingerprint-resistant stainless steel exterior, do not use soap-filled scouring pads, abrasive or harsh cleaners, any cleaning product containing chlorine bleach, steel-wool pads, gritty wash cloths, or paper towels. Using these types of products may scratch and/or dull the clear coat of the fingerprint-resistant stainless steel door.

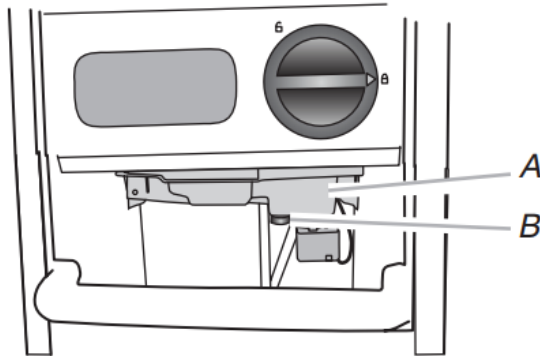
Ice Maker System

Minerals that are removed from water during the freezing cycle will eventually form a hard scaly deposit in the water system. Cleaning the system regularly helps remove the mineral scale buildup. How often you need to clean the system depends upon how hard your water is. With hard water of 15 to 20 grains/gal. (4 to 5 grains/liter), you may need to clean the system as often as every 9 months.

NOTE: Use one 16oz. (473 mL) bottle of approved ice maker cleaner. We recommend using the *affresh® Ice Machine Cleaner.

To order, see “Accessories” on the ice maker Quick Start Guide.

1. Press the On/Off button.
2. Wait 5 to 10 minutes for the ice to fall into the storage bin. Remove all ice from the storage bin.
3. Unscrew the drain cap from the bottom of the water pan located inside the storage bin as shown. Allow the water to drain completely.



A. Water pan

B. Drain cap

4. Replace the drain cap securely on the water pan. If the drain cap is loose, water will empty from the water pan and you will have either thin ice or no ice.
5. Read and follow all handling information on the cleaner bottle before completing the steps below. Use one 16oz. (473 mL) bottle of approved ice maker cleaner.
6. Pour one bottle of solution into the water pan. Fill the bottle twice with tap water and pour it into the water pan.
7. Press the Clean button. The Clean button will blink, indicating that the cleaning cycle is in process. When the “Cleaning Complete” light is illuminated (approximately 70 minutes), the cleaning cycle is complete. During the cleaning cycle, the system will both clean and rinse itself.
8. After the cleaning cycle is complete, remove the drain cap from the water pan. Look for any cleaning solution left in the water pan. If cleaning solution drains from the water pan, you should run the clean cycle again. Be sure to refill the water pan with cleaner before starting the clean cycle again. Be sure to replace the drain cap securely on the water pan. If the drain cap is loose, water will empty from the water pan and you will have either thin ice or no ice.
NOTE: Severe scale buildup may require repeated cleaning with a fresh quantity of cleaning solution.
9. Press the On/Off button to resume ice production.

Vacation or Extended Time Without Use

- When you will not be using the ice maker for an extended period of time, turn off the water and power supply to the ice maker.
- Check that the water supply lines are insulated against freezing conditions. Ice formations in the supply lines can increase water pressure and cause damage to your ice maker or home. Damage from freezing is not covered by the warranty.

INSTALLATION INSTRUCTIONS

Unpack the Ice Maker

⚠ WARNING

Excessive Weight Hazard

Use two or more people to move and install or uninstall appliance.

Failure to do so can result in back or other injury.

Removing Packaging Materials

- To remove any remaining tape or glue from the exterior of the ice maker, rub the area briskly with your thumb. Tape or glue residue can also be easily removed by rubbing a small amount of liquid dish soap over the adhesive with your fingers. Wipe with warm water and dry.
- Do not use sharp instruments, rubbing alcohol, flammable fluids, or abrasive cleaners to remove tape or glue. Do not use chlorine bleach on the stainless steel surfaces of the ice maker. These products can damage the surface of your ice maker.

Cleaning Before Use

After you remove all of the packaging materials, clean the inside of your ice maker before using it. See the cleaning instructions in the “Ice Maker Maintenance and Care” section.

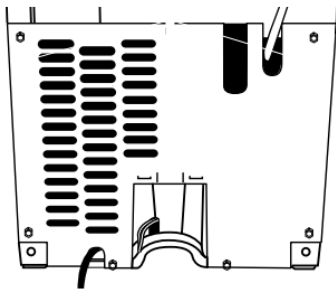
Location Requirements

- Installation must comply with all governing codes and ordinances.
- To ensure proper ventilation for your ice maker, the front side must be completely unobstructed. The ice maker may be closed in on the top and three sides, but the installation should allow the ice maker to be pulled forward for servicing if necessary.
- The auxiliary grill kit provided (only on custom panel models) can be used to align the toe grill with the rest of the cabinets while not obstructing ventilation of the ice maker.
- Installation of the ice maker requires a cold water supply inlet of 1/4" (6.35 mm) O.D. (outside diameter) soft copper tubing with a shutoff valve, or a supply line and a drain pump, only to carry the water to an existing drain.
- Choose a well-ventilated area with temperatures above 55°F (13°C) and below 110°F (43°C). Best results are obtained between 70°F and 90°F (21°C and 32°C).
- Choose a location where the floor is even. It is important for the ice maker to be level in order to work properly. If needed, you can adjust the height of the ice maker by changing the height of the leveling legs. See the “Leveling and Securing” section.
- The ice maker must be installed in an area sheltered from the elements, such as wind, rain, water spray, or drip.
- When installing the ice maker under a counter, follow the recommended opening dimensions shown. Place electrical and plumbing fixtures in the recommended location as shown.

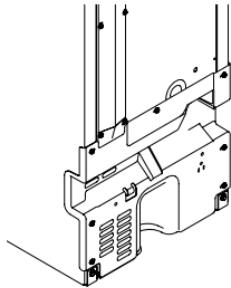
NOTES:

- Check that the power supply cord is not damaged or pinched or kinked between the ice maker and the cabinet.
- Check that the water supply line is not damaged or pinched or kinked between the ice maker and the cabinet.
- Check that the drain line (on some models) is not damaged or pinched or kinked between the ice maker and the cabinet.
- Check that the ice maker door is not flush with the standard cabinets to avoid problems with opening the ice maker door.

Model Identification:

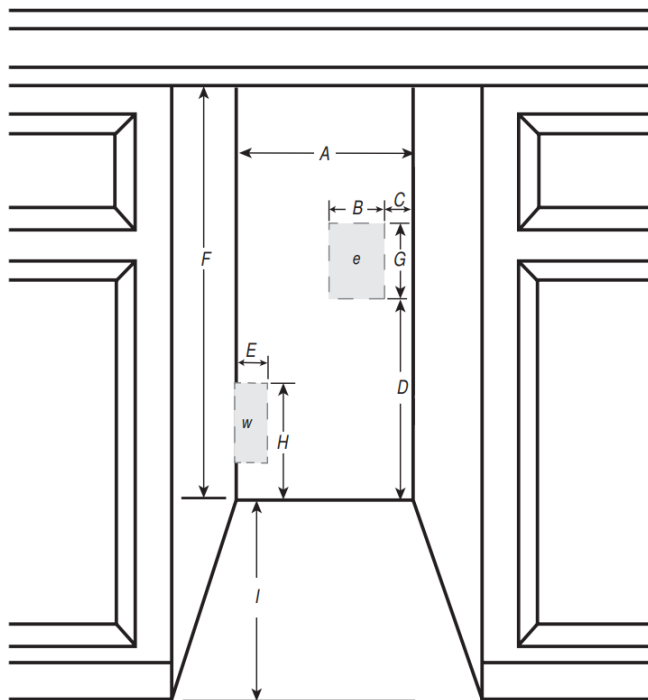


Standard model



Custom panel model

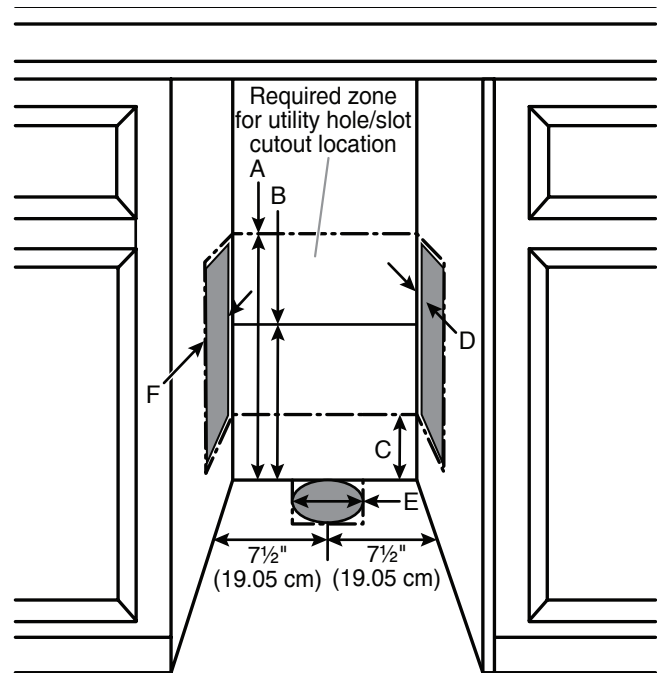
Standard Model Utilities



A	Width (for 15" ice maker)	15" (38.1 cm) Minimum
	Width (for 18" ice maker)	18" (45.7 cm) Minimum
B	Width of outlet location	6" (15 cm)
C	Outlet location—distance from side	1" (2.5 cm)
D	Outlet location—distance from bottom	12" (30.5 cm)
E	Width of water connection location	3 1/2" (8.9 cm)

F	Height	34" (86.4 cm) Minimum
		34 1/2" (87.6 cm) Maximum
G	Height of outlet location	8" (20.3 cm)
H	Height of water connection location	9" (22.9 cm)
I	Depth of cabinet (minimum)	24" (61.0 cm)
e	Recommended electrical connection location	
w	Recommended water connection location	

Model Utility/Air Flow Slot



Utility/Air Flow Slot/Cutout Location Zone		
Dimension	A	14" (35.56 cm)
	B	10.5" (26.67 cm)
	C	7" (17.8 cm)
	D	0.75" (1.9 cm)
Diameter of the hole	E	2" (5.1 cm)
Dimension of cutout	F	2" (5.1 cm)

- Auxiliary pump ice maker models have been designed for flush install in instances where the power supply, water supply, and drain are located in adjacent cabinetry.
- For installation of product with utilities behind the ice maker, flush install may not be achieved.
- Refer to the "Model Utility/Air Flow Slot" illustration, table for utility/air flow slot cutout location, and paper template for utility/air flow slot cutout location.

Electrical Requirements

⚠ WARNING



Electrical Shock Hazard

- Plug into a grounded 3 prong outlet.
- Do not remove ground prong.
- Do not use an adapter.
- Do not use an extension cord.
- Failure to follow these instructions can result in death, fire, or electrical shock.

Before you move your ice maker into its final location, it is important to make sure you have the proper electrical connection:

A 115 V, 60 Hz, AC-only 15 A or 20 A electrical supply, properly grounded in accordance with the National Electrical Code and local codes and ordinances, is required.

It is recommended that a separate circuit, serving only your ice maker, be provided. Use a receptacle which cannot be turned off by a switch or pull chain.

IMPORTANT: If this product is connected to a GFCI (Ground Fault Circuit Interrupter) equipped outlet, nuisance tripping of the power supply may occur, resulting in loss of cooling. Ice quality may be affected. If nuisance tripping has occurred, and if the condition of the ice appears poor, dispose of it.

Recommended Grounding Method

The ice maker must be grounded. The ice maker is equipped with a power supply cord having a 3-prong grounding plug. The cord must be plugged into a mating, 3-prong, grounding-type wall receptacle, grounded in accordance with the National Electrical Code and local codes and ordinances. If a mating wall receptacle is not available, it is the personal responsibility of the customer to have a properly grounded, 3-prong wall receptacle installed by a qualified electrician.

Drain Connection Requirements

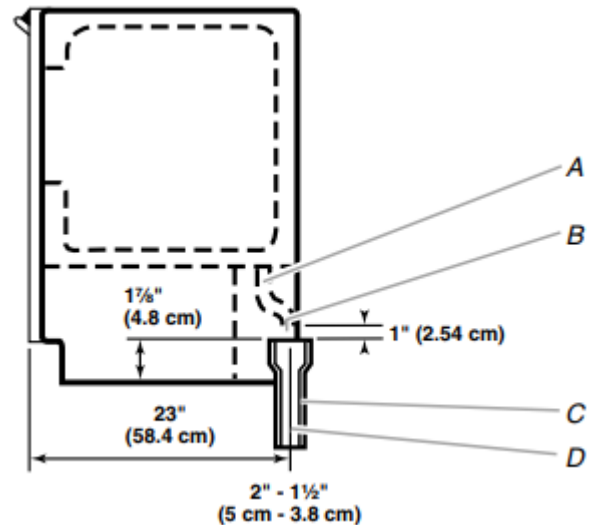
Gravity Drain System

Connect the ice maker drain to your drain in accordance with all state and local codes and ordinances. If the ice maker is provided with a gravity drain system, follow these guidelines when installing drain lines. This will help keep water from flowing back into the ice maker storage bin and potentially flowing onto the floor, causing water damage.

- Drain lines must have a minimum of 5/8" (15.88 mm) I.D. (inside diameter).
- Drain lines must have a 1" drop per 48" (2.54 cm drop per 122 cm) of run or 1/4" drop per 12" (6.35 mm per 30.48 cm) of run and must not have low points where water can settle.
- The floor drains must be large enough to accommodate drainage from all drains.
- The ideal installation has a standpipe with a 1 1/2" (3.81 cm) to 2" (5.08 cm) PVC drain reducer installed directly below the outlet of the drain tube as shown. You must maintain a 1" (2.54 cm) air gap between the drain hose and the standpipe.
- Do not connect the outlet end of the drain tube to a closed pipe system to keep drain water from backing up into the ice maker.

IMPORTANT: A drain pump is necessary when a floor drain is not available. A Drain Pump kit is available for purchase. See Quick Start Guide for ordering information.

Side View



- A. Drain hose
- B. 1" (2.54 cm) air gap
- C. PVC drain reducer 2"-1 1/2" (5 cm-3.8 cm)
- D. Center of drain should be 23" (58.4 cm) from front of door, with or without the 3/4" (1.91 cm) panel on the door. The drain should also be centered from left to right (7 5/16" [18.56 cm] from either side of the ice maker).

Drain Pump System (on some models)

IMPORTANT:

- Connect the ice maker drain to your drain in accordance with the International Plumbing Code and any local codes and ordinances.
- The drain pump discharge line must terminate at an open-sited drain.
- Maximum rise 10 ft. (3.1 m)
- Maximum run 100 ft. (30.5 m)

NOTES:

- If the drain hose becomes twisted and water cannot drain, your ice maker will not work.
- It may be desirable to insulate the drain line thoroughly up to the drain inlet. An Insulation Sleeve Kit is available for purchase. See Quick Start Guide for ordering information.
- Do not connect the outlet end of the drain tube to a closed pipe system to keep drain water from backing up into the ice maker.
- Drain pump maximum capability: For every 1 ft. (0.31 m) of rise, subtract 10 ft. (3.1 m) of maximum allowable run.

Drain Pump Installation (on some models)

NOTES:

- Connect drain pump to your drain in accordance with all state and local codes and ordinances.
- It may be desirable to insulate drain tube thoroughly up to drain inlet to minimize condensation on the drain tube. Insulated tube kit is available for purchase. See Quick Start Guide for ordering information.
- Drain pump is designed to pump water to a maximum height of 10 ft. (3 m). Drain Pump Kit is available for purchase. See Quick Start Guide for ordering information.

NOTE: Do not connect outlet end of drain tube to a closed pipe system to avoid drain water backing up into the ice maker.

Drain Pump Kit Contains:


- Drain Pump.
- 5/8" I.D. x 5 1/8" drain tube (ice maker bin to drain pump reservoir inlet).
- 1/2" I.D. x 10 ft. (3 m) drain tube hose (drain pump discharge to household drain).
- 5/16" I.D. x 32" (81 cm) vent tube (drain pump reservoir vent to ice maker cabinet back).
- Cable ties (secures vent tube to back of ice maker) (3).
- #8-32 x 3/8" pump mounting screws (secures drain pump to baseplate and clamps to black suction tube) (5).
- 5/8" small adjustable hose clamp (secures vent to drain pump).
- 7/8" large adjustable hose clamp, (secures drain tube to ice maker bin and drain pump reservoir inlet) (3).
- Rear panel (2).
- Instruction sheet.

If Ice Maker Is Currently Installed

NOTE: If ice maker is not installed, please proceed to "Drain Pump Installation" section on page 11.

1. Push the selector switch to the Off position.

⚠ WARNING



Electrical Shock Hazard

Disconnect power before servicing.

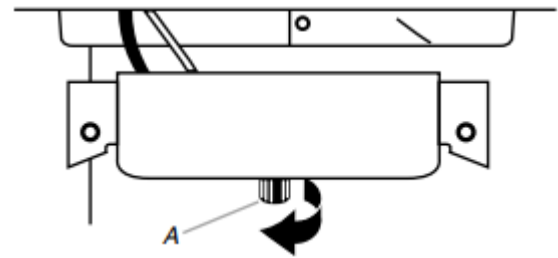
Replace all parts and panels before operating.

Failure to do so can result in death or electrical shock.

2. Unplug ice maker or disconnect power.
3. Turn off water supply. Wait 5 to 10 minutes for the ice to fall into the storage bin. Remove all ice from bin.

4. Unscrew the drain cap from the bottom of the water pan located inside the storage bin. Allow water to drain completely. Replace drain cap. See "Drain Cap" illustration.

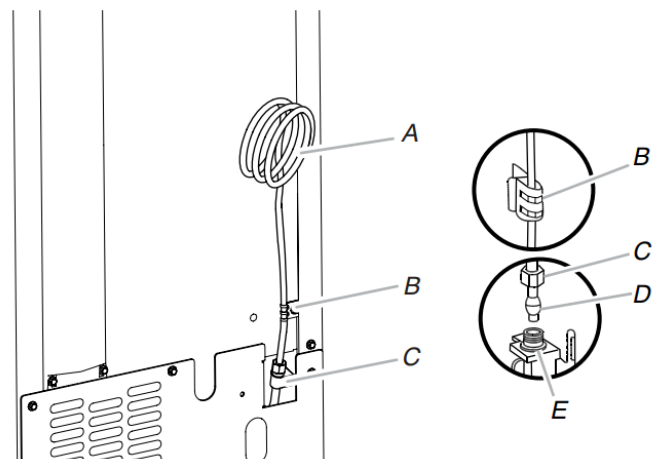
Drain Cap



A. Drain cap

5. If ice maker is built into cabinets, pull ice maker out of the opening.
6. Disconnect water supply line. See "Water Supply Line" illustration.

Water Supply Line




- | | |
|-------------------------|-------------------------|
| A. 1/4" copper tubing | D. Ferrule (sleeve) |
| B. Cable clamp | E. Ice maker connection |
| C. 1/4" compression nut | |

Drain Pump Installation

NOTE: Do not kink, smash, or damage tubes or wires during installation.

⚠ WARNING



Electrical Shock Hazard

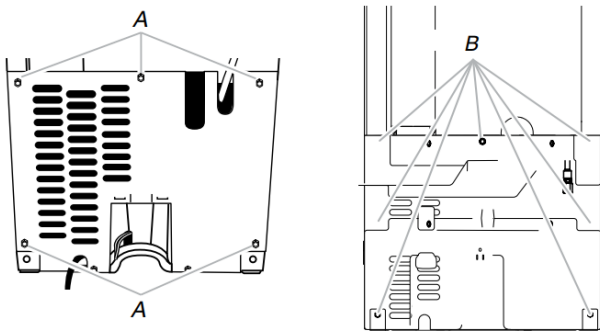
Disconnect power before servicing.

Replace all parts and panels before operating.

Failure to do so can result in death or electrical shock.

1. Unplug ice maker or disconnect power.
2. Remove rear panel. See "Rear Panel" illustration for screw locations. Pull rear panel away from the drain tube and discard. For standard model, discard the rear panel. For custom panel model, set aside the rear panel (it will be reused in a later step).

Rear Panel



- A. Screw locations for standard model
 B. Screw locations for custom panel model

3. Remove the old drain tube and clamp attached to the ice maker bin.

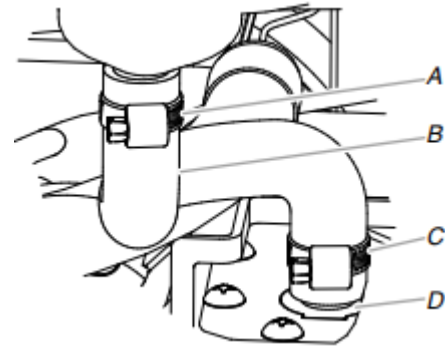
NOTE: Discard old drain tube and clamp.

4. Install new drain tube (5/8" I.D. x 5 1/8") from ice maker bin to drain pump reservoir inlet using new adjustable clamps. See "Drain Tube" illustration.

NOTE:

- Do not kink.
- Trim tube length if required.

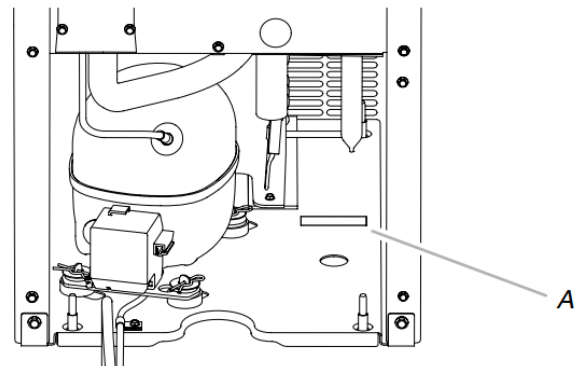
Drain Tube



- A. 7/8" adjustable hose clamp
 B. Drain tube (ice bin to drain pump)
 C. 7/8" adjustable hose clamp
 D. Drain pump reservoir inlet

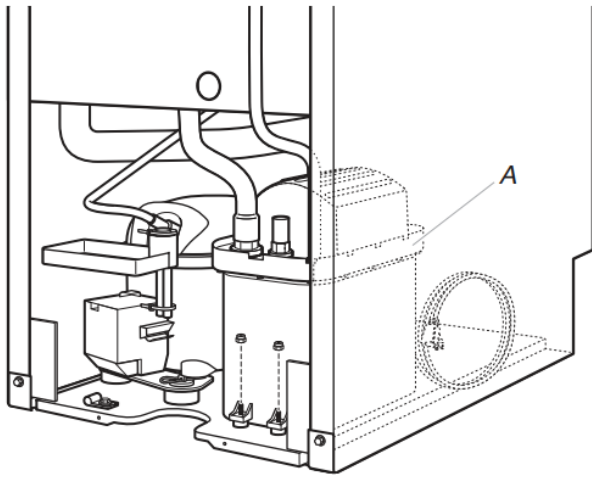
5. Slide drain pump into the ice maker base on the right side. The pump mounting tab should slip into the rectangular slot in the ice maker base. It will be necessary to tip the pump slightly to slip into the slot. See "Drain Pump Mounting Tab Slot" illustration.

Drain Pump Mounting Tab Slot



- A. Mounting tab slot

Drain Pump Installed

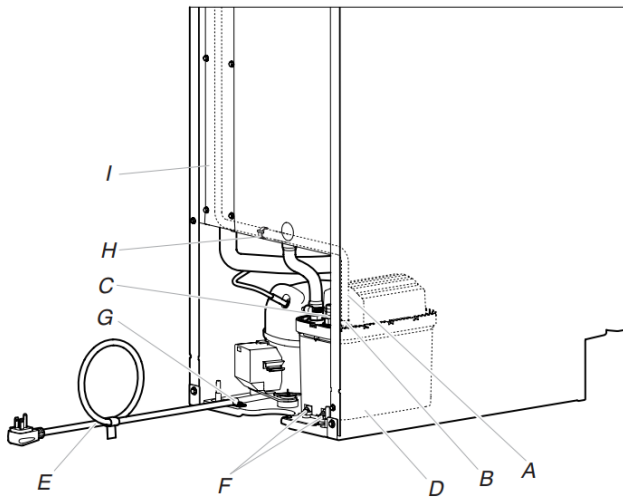


A. Drain pump installed

6. Align the two screw holes at the rear of the pump. Use two #832 x 3/8" screws, supplied. See "Parts Locations" illustration.
7. Install vent tube (5/16" I.D. x 32" [81 cm]) to drain pump reservoir vent. Use one of the supplied 5/8" small adjustable clamps. See "Parts Locations" illustration. Use plastic retainer to keep vent hose secure to top of inner deck.

NOTE: Do not install household drain tube at this time.

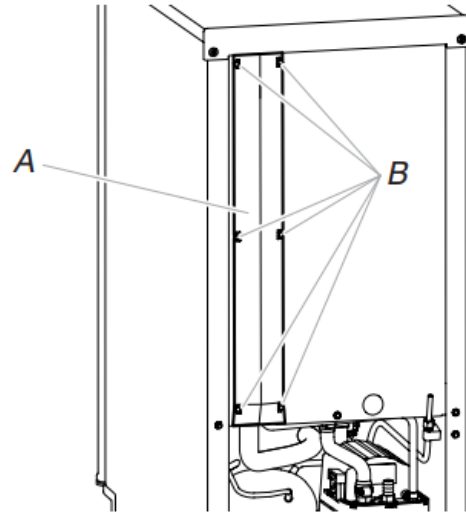
Parts Locations



- | | |
|------------------------------|--|
| A. Vent tube | F. #8-32 x 3/8" pump mounting screws |
| B. 5/8" hose clamp | G. Drain pump power cord, clamp, and screw |
| C. Drain pump discharge tube | H. Plastic retainer |
| D. Drain pump | I. Wiring cover |
| E. Ice maker unit power cord | |

8. Connect drain tube to ice maker bin outlet (5/8" I.D.), using 7/8" adjustable clamp, supplied. See "Drain Tube" illustration in step 4.

9. Remove wiring cover. Refer to the following illustration for location of the screws.

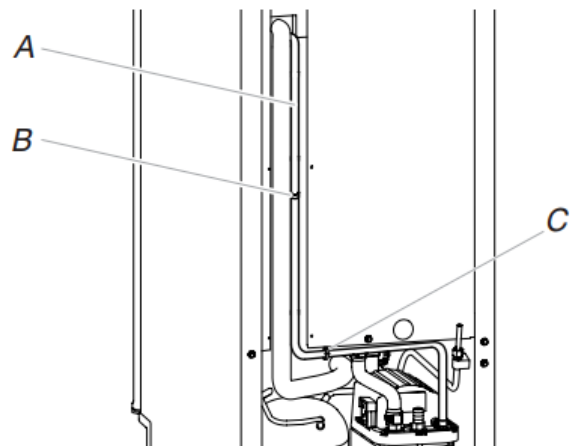


A. Wiring cover
B. Screws

10. Route vent tube through plastic retainer that is located underneath top deck in open pump area as shown in the illustration. Using a cable tie, tie the vent tube to the black suction tube which is located behind the wiring cover. Refer to the "Vent Tube" illustration.

Vent Tube

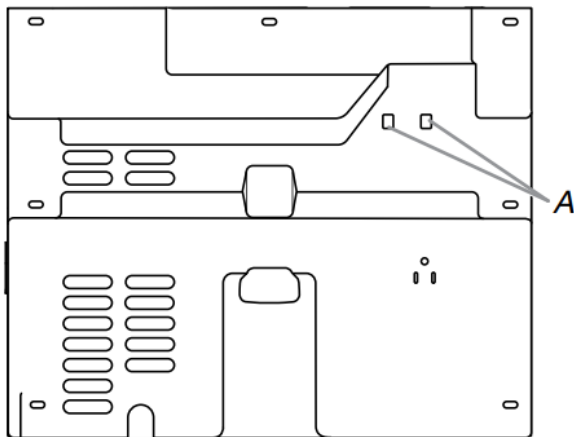
NOTE: Do not pinch, kink, or damage the vent tube. Check that it is not damaged or pinched or kinked between the cabinet and the ice maker.



A. Vent tube
B. Clamps and screws/Cable ties
C. Plastic retainer

11. Secure wiring cover back in place.
 12. Remove power cord clamp and ground screw attached to ice maker power cord, which is mounted to the unit base. See "Parts Locations" illustration in step 7.
- NOTE:** Clamp and screw will be reused.

13. Coil ice maker power cord into a 4" (10.2 cm) diameter coil. Wrap electrical tape around the power cord in several places to keep the cord in a coil. Locate coiled power cord between the drain pump and side of enclosure and plug into the receptacle of the drain pump. See "Parts Locations" illustration in step 7.
14. Attach the drain pump power cord to ice maker unit base with clamp and screw (removed in step 12) that was used to attach ice maker power cord. See "Parts Locations" illustration in step 7.
15. For standard model, place new rear panel (small one for 15" ice maker, large one for 18") against the back of the ice maker. For custom panel model, reuse the plastic rear panel (removed in step 2). Route the vent tube and drain pump discharge tube through cutouts in the rear panel.
16. Secure vent tube to back of ice maker using three clamps and three #832 x 3/8" screws, supplied. See "Vent Tube" illustration in step 10.
17. Attach 1/2" I.D. x 10 ft. (3 m) drain tube to pump discharge tube. See "Parts Locations" illustration in step 7.
NOTE: Do not connect outlet end of drain tube to a closed pipe system to keep drain water from backing up into the ice maker.
For standard models, skip to step 20.
18. Install the cable tie on the rear panel using two holes provided on the rear panel. Available on some models.



A. Holes to fix the cable tie

19. Using a cable tie, fix the drain tube to rear panel.
20. Secure rear panel with original screws. See "Rear Panel" illustration in step 2.
21. Connect ice maker to water supply and install ice maker as specified by the product installation instructions.
NOTE: After unit is connected to power and in its final location: Pour 1 gallon of water into the ice storage bin; water should drain out. If it does not, there could be a kinked drain tube. Check drain tube routing for restrictions. Check for leaks as well.

22. Check all connections for leaks.

⚠ WARNING

Electrical Shock Hazard

Plug into a grounded 3 prong outlet.

Do not remove ground prong.

Do not use an adapter.

Do not use an extension cord.

Failure to follow these instructions can result in death, fire, or electrical shock.

23. Plug in ice maker or reconnect power.
24. Turn on ice maker.
25. Wait for rinsing cycle, approximately 5 minutes, to be sure the ice maker is operating properly.

Water Supply Requirements

Check that the water supply lines are insulated against freezing conditions. Ice formations in the supply lines can increase water pressure and damage your ice maker or home. Damage from frozen supply lines is not covered by the warranty.

A cold water supply with water pressure of between 30 and 120 psi (207 and 827 kPa) is required to operate the ice maker. If you have questions about your water pressure, call a licensed, qualified plumber.

Reverse Osmosis Water Supply

IMPORTANT:

- Do not use with water that is microbiologically unsafe or of unknown quality without adequate disinfection before or after the system. Systems certified for cyst reduction may be used on disinfected waters that may contain filterable cysts.
- A reverse osmosis water filtration system is not recommended for ice makers that have a drain pump installed.
- For gravity drain systems only.
- Connect to portable water only.
- The pressure of the water supply coming out of a reverse osmosis system going to the water inlet valve of the ice maker needs to be between 30 and 120 psi (207 and 827 kPa).

If a reverse osmosis water filtration system is connected to your cold water supply, the water pressure to the reverse osmosis system needs to be a minimum of 40 to 60 psi (276 to 414 kPa).

NOTE: The reverse osmosis system must provide 1 gal. (3.8 L) of water per hour to the ice maker for proper ice maker operation. If a reverse osmosis system is desired, only a whole-house-capacity reverse osmosis system, capable of maintaining the steady water supply required by the ice maker, is recommended. Faucet-capacity reverse osmosis systems are not able to maintain the steady water supply required by the ice maker.

If the water pressure to the reverse osmosis system is less than 40 to 60 psi (276 to 414 kPa):

- Check to see whether the sediment filter in the reverse osmosis system is blocked. Replace the filter if necessary.
- Allow the storage tank on the reverse osmosis system to refill after heavy usage.

If you have questions about your water pressure, call a licensed, qualified plumber.

Connect Water Supply

Read all directions before you begin.

IMPORTANT:

- Connect to potable water only.
- Do not use with water that is microbiologically unsafe or of unknown quality without adequate disinfection before or after the system. Systems certified for cyst reduction may be used on disinfected waters that may contain filterable cysts.
- Plumbing shall be installed in accordance with the International Plumbing Code and any local codes and ordinances.
- Use copper tubing or supply line, and check for leaks.
- Install tubing only in areas where temperatures will remain above freezing.

Tools Needed:

Gather the required tools and parts before starting installation.

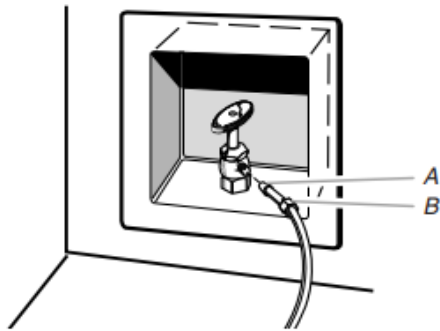
- Flat-blade screwdriver
- 7/16" and 1/2" open-end wrenches or two adjustable wrenches
- 1/4" nut driver

NOTE: Do not use a piercing-type or 3/16" (4.76 mm) saddle valve which reduces water flow and clogs more easily.

Connecting the Water Line

1. Turn off main water supply. Turn on nearest faucet long enough to clear line of water.
2. Using a 1/2" copper supply line with a quarter-turn shutoff valve or the equivalent, connect the ice maker as shown.

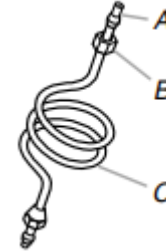
NOTE: To allow sufficient water flow to the ice maker, a minimum 1/2" diameter home supply line is recommended.



A. Bulb

B. Nut

3. Now you are ready to connect the copper tubing. Use 1/4" (6.35 mm) O.D. soft copper tubing for the cold water supply.
 - Ensure that you have the proper length needed for the job. Be sure both ends of the copper tubing are cut square.
 - Slip compression sleeve and compression nut on copper tubing as shown. Insert end of tubing into outlet end squarely as far as it will go. Screw compression nut onto outlet end with adjustable wrench. Do not overtighten.
 - For custom panel installation, be sure the water line extends 30" (762 mm) beyond the cabinet for future servicing purposes.



A. Compression sleeve

B. Compression nut

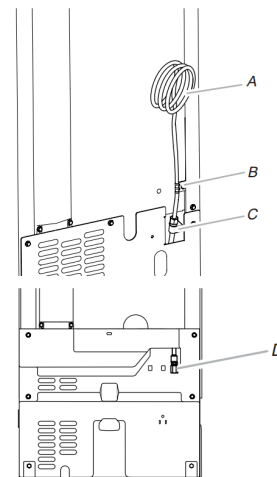
C. Copper tubing

4. Place the free end of the tubing into a container or sink, turn on main water supply, and flush out tubing until water is clear. Turn off shutoff valve on the water pipe.

IMPORTANT: Always drain the water line before making the final connection to the inlet of the water valve to avoid possible water valve malfunction.

5. Bend the copper tubing to meet the water line inlet. The water inlet tube is located on the back of the ice maker cabinet as shown in "Rear View" illustration. Leave a coil of copper tubing to allow the ice maker to be pulled out of the cabinet or away from the wall for service.

Rear View



A. Copper tubing
B. Water supply tube clamp

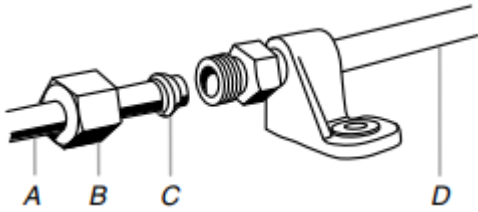
C. Inlet water tube clamp and supply line connector for standard model

D. Inlet water tube for custom panel model

6. Remove and discard the short plastic tube from the end of the water line inlet.

- Thread the nut onto the end of the tubing. Tighten the nut by hand. Then tighten it with a wrench two more turns. Do not overtighten.

NOTE: To avoid rattling, be sure the copper tubing does not touch the cabinet's side wall or other parts inside the cabinet.



- A. Line to ice maker
 B. Compression nut
 C. Compression sleeve
 D. Supplied line from maker

- Install the water supply tube clamp around the water supply line to reduce strain on the coupling. For custom panel models, skip this step.
- Turn shutoff valve On.
- Check for leaks. Tighten any connections (including connections at the valve) or nuts that leak.

Connecting the Drain

After ensuring that the drain system is adequate, follow these steps to properly place the ice maker:

⚠ WARNING



Electrical Shock Hazard

- Plug into a grounded 3 prong outlet.
- Do not remove ground prong.
- Do not use an adapter.
- Do not use an extension cord.
- Failure to follow these instructions can result in death, fire, or electrical shock.

- Plug ice maker into a grounded 3-prong outlet.

⚠ WARNING

Excessive Weight Hazard

Use two or more people to move and install or uninstall appliance.

Failure to do so can result in back or other injury.

- Style 1** For gravity drain system, push the ice maker into position so that the ice maker drain tube is positioned over the PVC drain reducer. See "Gravity Drain System."

Style 2 For drain pump system, connect the drain pump outlet hose to the drain. See "Drain Pump System."

NOTE: Do not connect outlet end of drain tube to a closed pipe system to avoid drain water backing up into the ice maker.
- Recheck the ice maker to be sure that it is level. See "Leveling and Securing."
- Turn on ice maker. Wait for rinsing cycle, approximately 5 minutes, to be sure the ice maker is operating properly.
- If it is required by your local sanitation code, seal the cabinet to the floor with an approved caulking compound after all water and electrical connections have been made.

Leveling and Securing

It is important for the ice maker to be level in order to work properly. Depending upon where you install the ice maker, you may need to make several adjustments to level it. You may also use the leveling legs to lower the height of the ice maker for under counter installations.

Tools Needed:

Gather the required tools and parts before starting installation.

- Level
- Adjustable wrench

NOTE: It is easier to adjust the leveling legs if you have another person to assist you.

⚠ WARNING

Excessive Weight Hazard

Use two or more people to move and install or uninstall appliance.

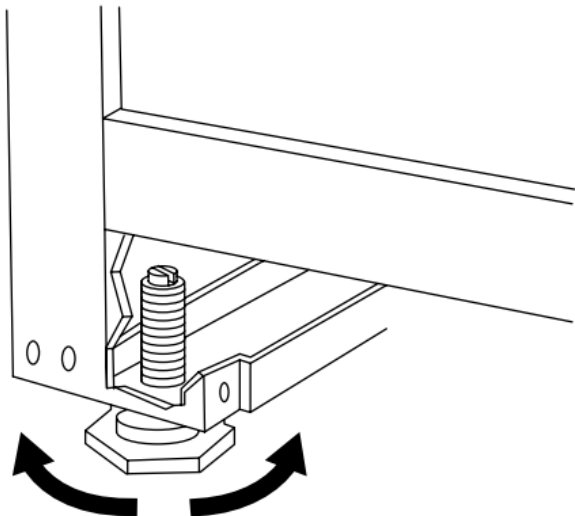
Failure to do so can result in back or other injury.

- Move the ice maker to its final location. Be sure to cover the floor with cardboard or hardboard to avoid damaging it.

NOTE: If this is a built-in installation, move the ice maker as close as possible to the final location.
- For standard models:
 - Place the level on top of the ice maker to see whether the ice maker is level from front to back and side to side.
 - Push up on the top front of the ice maker, and then locate the leveling screws that are on the bottom front of the ice maker.

4. Using an adjustable wrench, change the height of the legs as follows:
 - Turn the leveling leg to the right to lower that side of the ice maker.
 - Turn the leveling leg to the left to raise that side of the ice maker.

NOTE: The ice maker should not wobble. Use shims to add stability when needed.



5. Push up on the top rear of the ice maker and locate the leveling legs that are on the bottom rear of the ice maker.
6. Follow the instructions in step 4 to change the height of the legs.
7. Use the level to recheck the ice maker to see that it is even from front to back and side to side. If the ice maker is not level, repeat steps 2 to 5. If the ice maker is level, go to the "Connect Water Supply" section.

For cabinet models:

⚠ WARNING

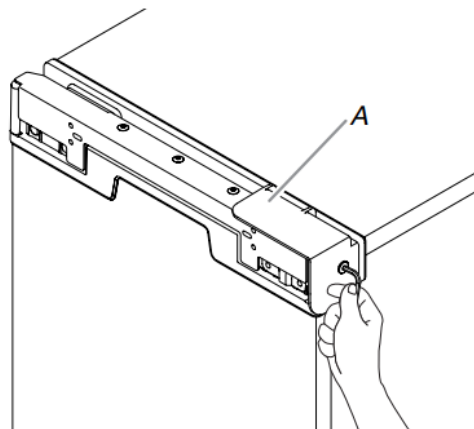
Crush Hazard

Articulated hinges are self closing and many pinch points exist prior to cabinet installation.

Do not remove hinge covers until product is ready to be installed.

Failure to follow these instructions can result in crush, cut, or pinch injuries.

8. Remove the screws attaching top and bottom hinge covers using a 3/16" hex driver.



A. Hinge cover

⚠ WARNING

Crush Hazard

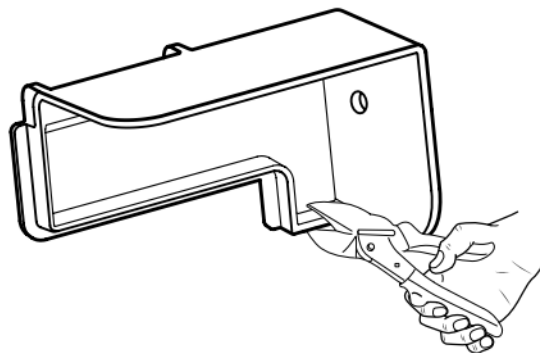
Articulated hinges are self closing and many pinch points exist prior to cabinet installation.

Do not operate or close the hinges while they are removed from the ice maker.

Failure to follow these instructions can result in crush, cut, or pinch injuries.

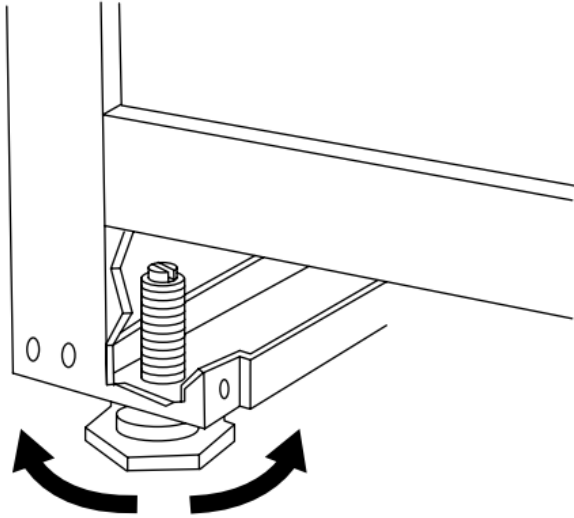
9. Using pliers, remove the hinge covers from the top and bottom hinges.

NOTE: Save the hinge covers for future use. Reinstall the hinge covers if ice maker is removed from cabinet installation.

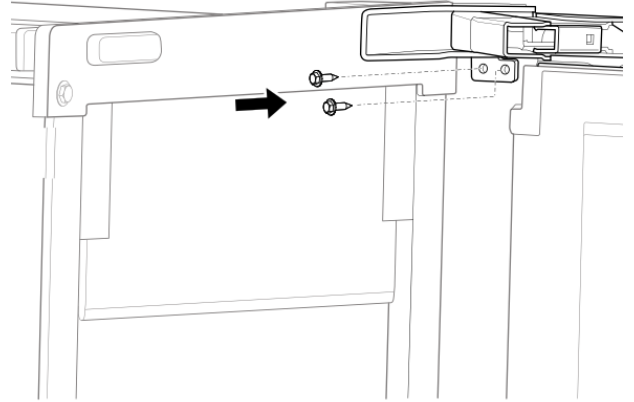


10. For custom panel installation, install the door panel according to the instructions in the "Custom Wood Panel" section.

11. Use ice maker leveling legs to align ice maker door to the adjacent cabinet opening.

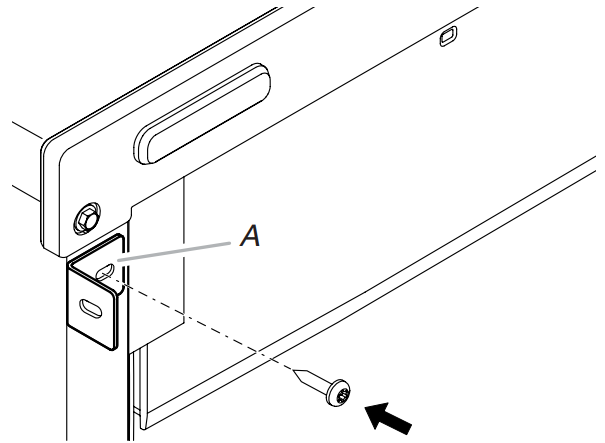


13. Be sure that the ice maker is at desired depth. Secure the top and bottom hinges to the side of the cabinet using wood screws.



14. Attach the cabinet brackets (provided with ice maker) to the holes in the front of ice maker as shown in the illustration. Attach the cabinet brackets to the side of the cabinet with wood screws.

NOTE: For the custom wood panel installation, continue installation at step 6 of "Custom Panel Installation."



A. Cabinet bracket

⚠WARNING

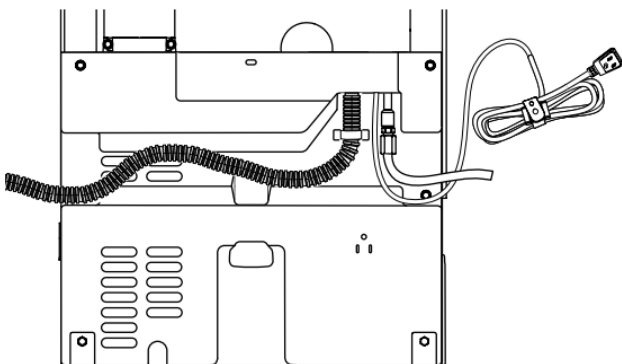
Excessive Weight Hazard

Use two or more people to move and install or uninstall appliance.

Failure to do so can result in back or other injury.

12. Slide ice maker into the cabinet while managing the utility connection positions behind the ice maker. Be sure to cover the floor with cardboard or hardboard to avoid damaging it.

IMPORTANT: For the custom panel model flush installation, the ice maker utility connections must be routed out through the slot in the ice maker rear panel. Anytime ice maker is removed for service, do the same process when placing the unit back in the cabinets.



Custom Wood Panel

Custom Panel Dimensions

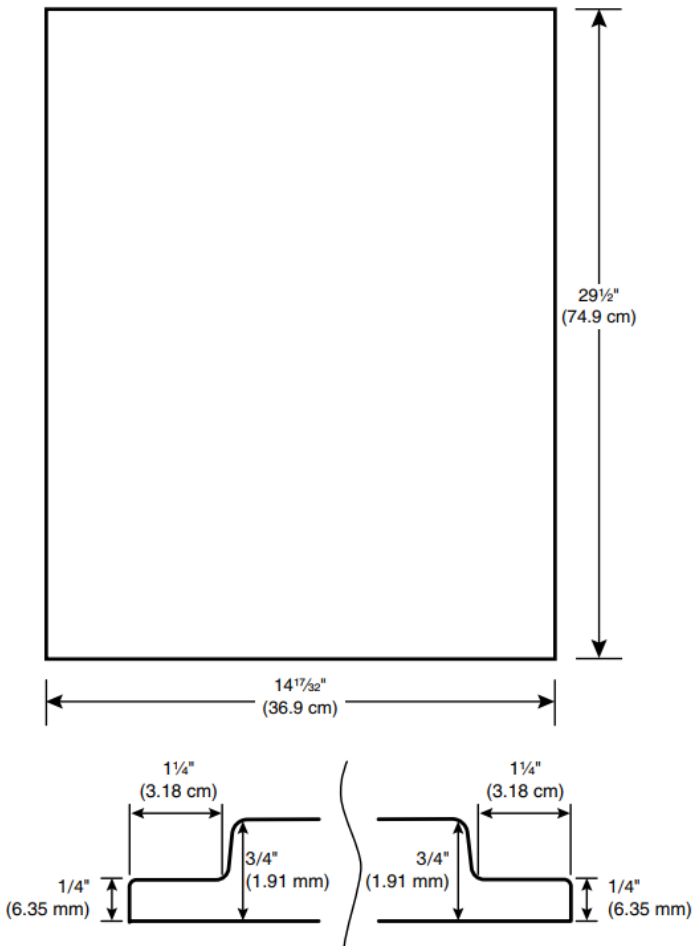
If you plan to install a custom overlay panel, you will need to make the panel yourself or consult a qualified cabinetmaker or carpenter.

IMPORTANT:

- The thickness of the overlay panel must be 3/4" (1.91 cm).
- Overlay panel must not weigh more than 8 lbs. (3.62 kg).
- Overlay panels weighing more than recommended may cause damage to your ice maker.
- Match wood grain direction with that of adjacent cabinets.
- Sand panel edges to provide a smooth finish.
- Use moisture sealer on both sides and all edges of the panel to avoid damage from outside.

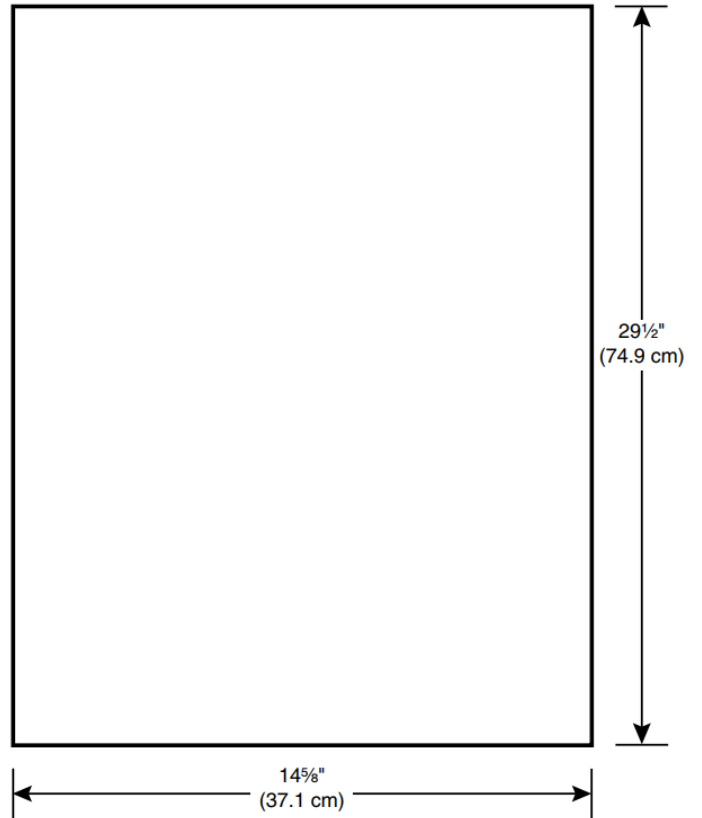
Option 1 – Without Hinge-Side Spacer

To allow proper clearance for the door, prepare the custom overlay panel using the dimensions shown.

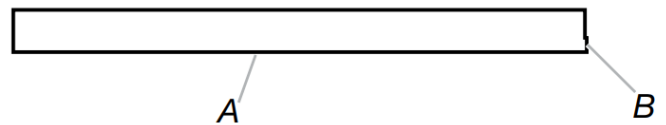


Option 2 – With Hinge-Side Spacer

To achieve a flush installation with adjacent cabinets, prepare the custom overlay panel using the dimensions shown.

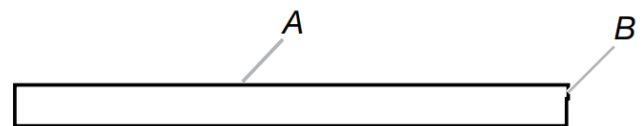


Top of Panel



- A. Front-visible surface when installed
- B. Hinge side

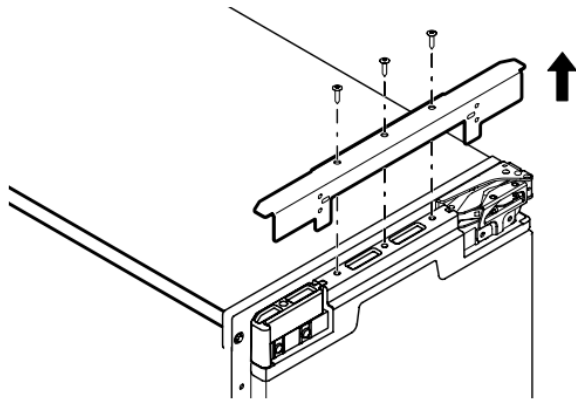
Bottom of Panel



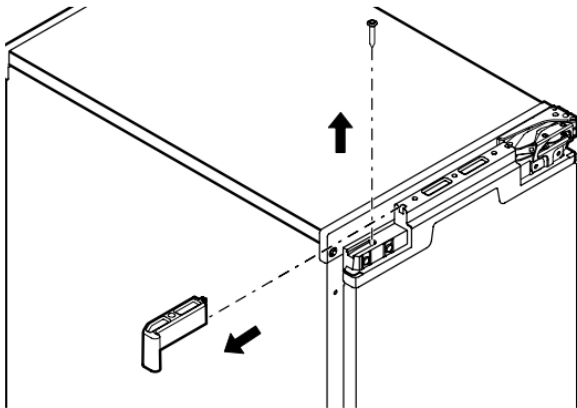
- A. Front-visible surface when installed
- B. Hinge side

Custom Panel Installation

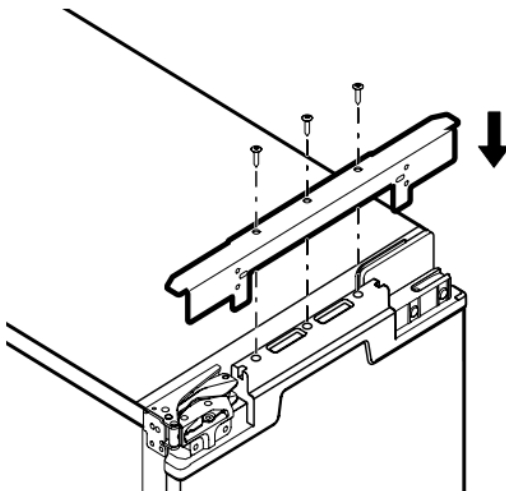
1. Remove screws and the top metal bracket using the Phillips screwdriver and place them aside. Skip this step and go to step 4 if the door reversal has been completed.



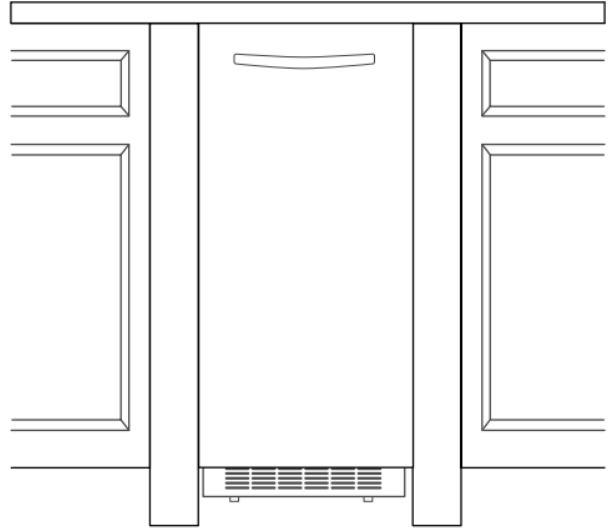
2. Remove the top and bottom end caps using the Phillips screwdriver and place them aside.



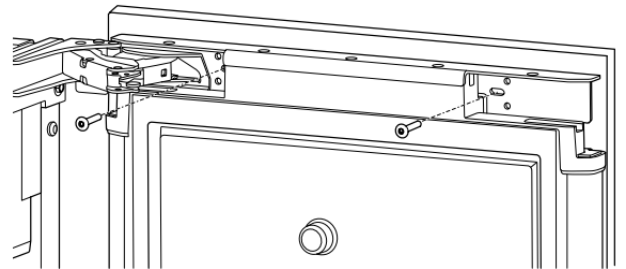
3. Reinstall top metal bracket using screws removed in step 1.



4. Lightly press the custom panel onto the door using double-sided adhesive tape. Adjust height of the panel to align with the adjacent cabinetry. Press the panel firmly against door.

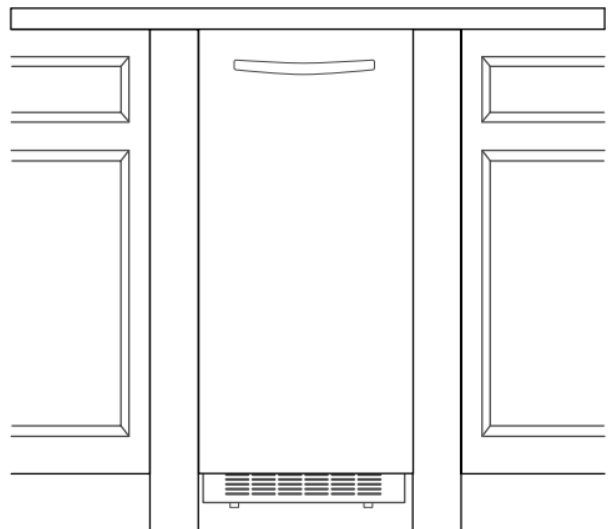


5. From inside the door, install the wood screws through the slotted holes in the metal brackets. Continue to step 11 in the "Leveling and Securing" section.

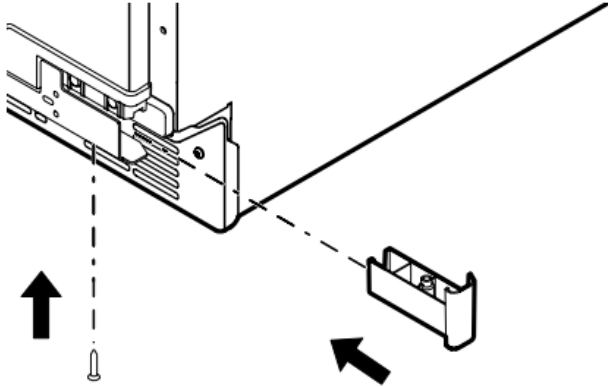


6. Adjust the panel side to side to achieve a desired gap on both sides. Install the remaining screws through the door bracket into the panel.

NOTE: Be sure that the panel is aligned with adjacent cabinet before installing the remaining screws to secure the door panel.



- Replace the top and bottom end caps into the door. Fix the bottom end cap using screw through the bottom metal bracket hole.



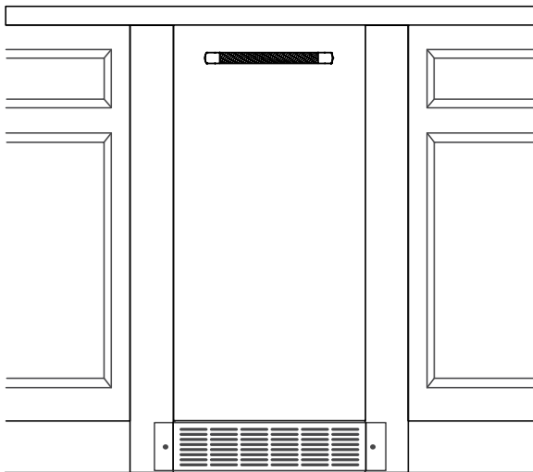
Auxiliary Grille Installation

The auxiliary grille is an optional part that can be used to align the toe grille with the rest of the cabinets (while not obstructing ventilation of the ice maker).

Tools required:

- Torx T20 screwdriver
- 1/8" straight drill bit and power drill

- First, complete all installation steps and install leveled ice maker into the cabinet. Ensure ice maker is flush with the adjacent cabinets.
- Unpack kit by removing outer cushion packaging and discarding packaging material.
- Remove screws that are taped onto the inside of the auxiliary grille.
- Place grille onto cabinetry. Align part so that grating pattern on the auxiliary grille matches that of the toe grille on the ice maker.
- Center auxiliary grille on cutout for ice maker. Mark hole locations on each side of auxiliary grille on cabinet.



- Using power drill and a 1/8" drill bit, drill holes in cabinet. This is to fit screws of size 818 x 0.750.
- Using the Torx T20 screwdriver, screw auxiliary grille onto cabinet.
NOTE: For future service of ice maker, auxiliary kit must be removed prior to the removal of the ice maker from the cabinets.

Ice Maker Installation Checklist

ICE MAKER INSTALLATION CHECKLIST

Important Note: This checklist is meant to verify no part of the installation has been overlooked. To ensure proper installation, the installation instructions within the Use and Care Guide should be followed. Please refer to the assistance and service section of your Use and Care Guide for any questions and problems.

- Is the machine level?.....
- Is the water line connected to a water supply and is the water supply valve on?....
- Is the drain properly connected and is the drain line free of kinks?.....
- Note:** If a gravity drain is not available, an accessory pump must be used. Call your dealer or the customer service number located inside your Use and Care Guide.
- Have the water and drain connections been examined for leaks?.....
- Has all internal packing material been removed?.....
- Is the unit plugged into a working grounded 3-prong outlet?.....
- Is there adequate space in front of the kick plate for ventilation?.....
- Have you reviewed the importance of regular cleaning?.....
- Note:** Ice maker cleaner can be ordered by calling the number located inside your Use and Care Guide.
- Has the machine been turned on and verified for proper peration?.....
- Note:** Machine runs in flush mode when first turned on for approximately 5 to 10 minutes. Wait 35 minutes to confirm ice harvest.

SÉCURITÉ DE LA MACHINE À GLAÇONS

Votre sécurité et celle des autres sont très importantes.

Nous donnons de nombreux messages de sécurité importants dans ce manuel et sur votre appareil. Assurez-vous de toujours lire tous les messages de sécurité et de vous y conformer.



Voici le symbole d'alerte de sécurité.

Ce symbole d'alerte de sécurité vous signale les dangers potentiels de décès et de blessures graves.

Tous les messages de sécurité suivront le symbole d'alerte de sécurité et le mot « DANGER » ou « AVERTISSEMENT ». Ces mots signifient :

⚠ DANGER

Risque possible de décès ou de blessure grave si vous ne suivez pas immédiatement les instructions.

⚠ AVERTISSEMENT

Risque possible de décès ou de blessure grave si vous ne suivez pas les instructions.

Tous les messages de sécurité vous diront quel est le danger potentiel, comment réduire le risque de blessure et ce qui peut se produire en cas de non-respect des instructions.

INSTRUCTIONS IMPORTANTES DE SÉCURITÉ

AVERTISSEMENT : Afin de réduire le risque d'incendie, de décharge électrique ou de blessures corporelles lors de l'utilisation de cet appareil, observer certaines précautions fondamentales, notamment :

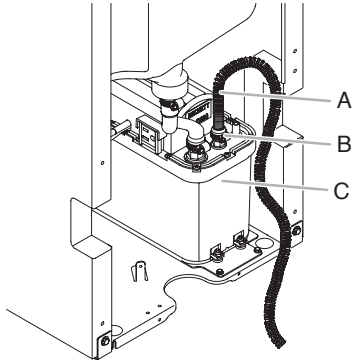
- Les enfants doivent être surveillés afin de s'assurer qu'ils ne jouent pas avec l'appareil.
- Cet appareil ne convient pas à une utilisation par des personnes (y compris des enfants) à capacités physiques, sensorielles ou mentales réduites, ou possédant un manque d'expérience et de connaissances, à moins qu'elles ne soient placées sous supervision ou qu'elles aient reçu des instructions concernant l'utilisation de l'appareil par une personne responsable de leur sécurité.
- Ne pas utiliser de rallonge.
- Si le cordon d'alimentation est endommagé, il doit être remplacé par le fabricant, son agent de réparation ou toute autre personne qualifiée afin d'éviter tout danger.
- Brancher sur une alimentation en eau potable uniquement.
- Cet appareil est destiné à un usage domestique et à d'autres usages similaires comme : coins cuisine réservés au personnel des boutiques, des bureaux et d'autres environnements professionnels; maisons d'hôtes, ainsi que par les clients d'hôtel, de motels et d'autres installations d'hébergement; gîtes touristiques; et banquets et autres utilisations non commerciales semblables.
- Ne pas entreposer de substances explosives comme des aérosols avec agent propulseur inflammable dans cet appareil.
- Ne pas utiliser de pièces de remplacement qui n'ont pas été recommandées par le fabricant (c.-à-d., pièces fabriquées à la maison à l'aide d'une imprimante 3D).

CONSERVER CES INSTRUCTIONS

RENSEIGNEMENTS IMPORTANTS POUR LE CONSOMMATEUR

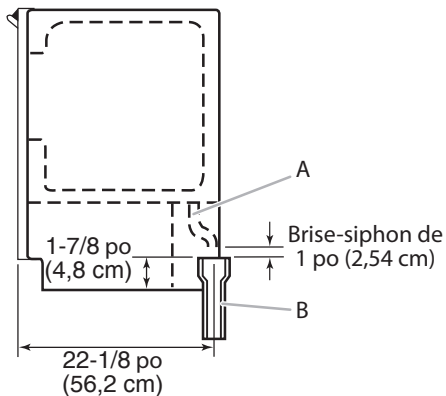
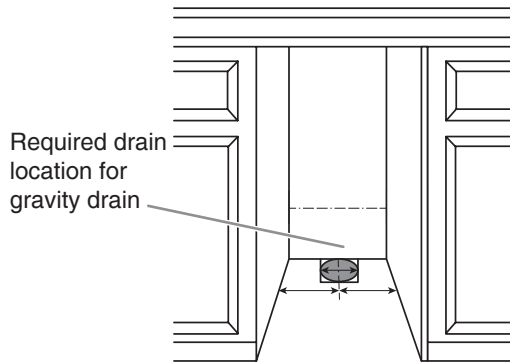
Renseignements importants pour le consommateur

1. Si votre le est situé au-dessus du niveau du sol et que l'appareil n'est pas livré avec une pompe de vidange, il faut acheter la trousse d'accessoires de pompe de vidange 1901A.



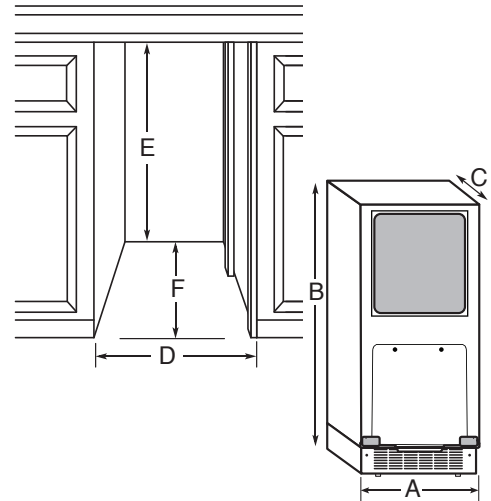
- A. Tube de Vidange
- B. Bride
- C. Pompe de Vidange

2. Pour les modèles à drain par gravité, l'emplacement du drain doit répondre aux spécifications énumérées dans les instructions d'installation.

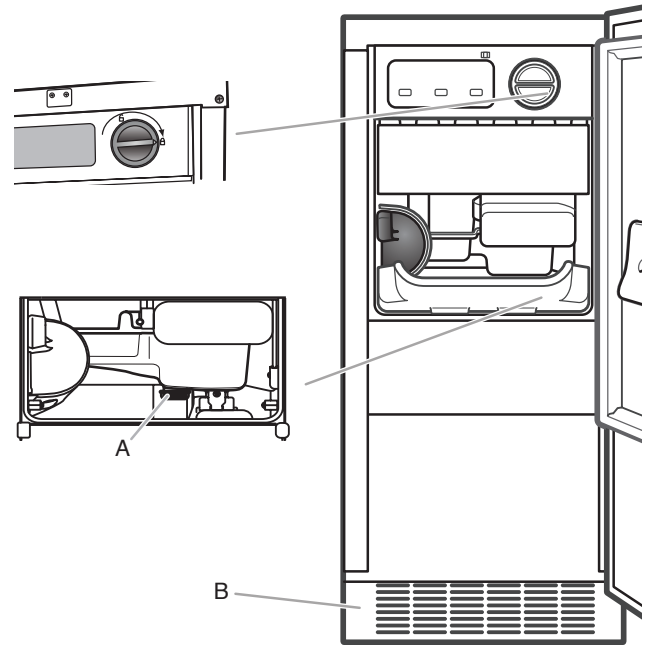


- A. Tuyau de Vidange
- B. Réducteur de Vidange PVC

3. Vérifier que la largeur, la hauteur et la profondeur de l'ouverture répondent aux exigences du produit identifiées dans les instructions d'installation.



4. Le filtre à eau doit être entièrement sécurisé. Aligner la flèche du filtre avec le symbole « verrouillé » sur l'appareil. Remplacer le filtre tous les 9 mois pour des résultats optimaux



- A. Bouchon de Vidange
- B. Pour la ventilation

5. Vérifier que le bouchon du réservoir est bien serré après les nettoyages ou les inspections.
6. Pour assurer une bonne aération, l'avant de l'appareil doit être complètement dégagé.

IMPORTANT Une fois l'appareil branché à l'alimentation et qu'il se trouve à l'emplacement final : Verser 1 gallon d'eau dans le bac d'entreposage à glaçons; l'eau devrait s'écouler. Si ce n'est pas le cas, il pourrait y avoir un tube de vidange plié. Vérifier le cheminement du tube de vidange pour blocage. Contrôler également les fuites.

Se référer au Guide d'Utilisation et d'Entretien et aux Instructions d'Installation pour des instructions complètes.

SENSIBILISATION DES CLIENTS : LES COMPORTEMENTS SUIVANTS FONT RÉFÉRENCE AUX COMPOSANTS DE FONCTIONNEMENT NORMAL DE L'APPAREIL

- L'eau s'écoulera de la glace après chaque cycle.
- L'air chaud sera évacué par le garde-pieds.
- L'eau qui coule et le cliquetis de la glace à l'intérieur de l'appareil peuvent être audibles.
- Les sons du compresseur et du ventilateur du condenseur peuvent être audibles.

ENTRETIEN ET RÉPARATION DE LA MACHINE À GLAÇONS

Comment utiliser la machine à glaçons

Lors de la mise en marche initiale de la machine à glaçons, le bac d'eau se remplira et le système se rincera avant de commencer à fabriquer des glaçons. Le rinçage prend environ 5 minutes.

Dans les conditions de fonctionnement normales, la machine à glaçons se mettra en marche à des températures pré-réglées. Le détecteur de niveau de glaçons dans le bac à glaçons contrôlera les niveaux de glaçons.

REMARQUE : Si l'alimentation en eau à la machine à glaçons est fermée, s'assurer que la commande de la machine à glaçons est aussi fermée.

Sons normaux

Il est possible que votre nouvelle machine à glaçons émette des bruits qui ne vous sont pas familiers. Comme ces sons sont nouveaux, ils peuvent vous inquiéter. La plupart de ces nouveaux sons sont normaux. Des surfaces dures comme les planchers, murs et armoires peuvent faire paraître les bruits plus forts qu'en réalité. Les descriptions suivantes indiquent les genres de bruits qui peuvent être nouveaux pour vous et leur cause.

- Vous entendrez un bourdonnement lorsque la valve d'eau s'ouvre pour remplir le bac à eau pour chaque programme.
- Des cliquetis peuvent venir du débit du réfrigérant ou de la canalisation d'eau. Les articles conservés sur le dessus de la machine à glaçons peuvent également faire du bruit.
- Le compresseur à haute efficacité peut produire un son aigu ou de pulsation.
- L'eau coulant sur la plaque d'évaporation peut produire un son d'éclaboussement.
- L'eau coulant de la plaque d'évaporation au bac à eau peut produire un son d'éclaboussement.
- À la fin de chaque programme, vous pouvez entendre un gargouillement attribuable au réfrigérant qui circule dans votre machine à glaçons.
- Vous pouvez entendre de l'air qui est transmis au condenseur par le ventilateur du condenseur.
- Au cours du programme de récolte, vous pouvez entendre un « bruit sourd » lorsque la plaque de glace glisse de l'évaporateur sur la grille de coupe.
- Lors de la mise en marche initiale de la machine à glaçons, il est possible que vous entendiez l'eau couler continuellement. La machine à glaçons est programmée pour effectuer un programme de rinçage avant de commencer à fabriquer des glaçons.

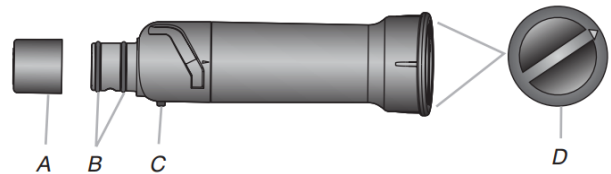
- Si la machine à glaçons est raccordée à une alimentation en eau dont la pression dépasse 60 lb/po², il est possible que l'on entende un bruit fort lors du remplissage – cela est dû au débit d'eau au niveau du robinet d'arrivée d'eau. Contacter un plombier agréé et qualifié pour déterminer la meilleure façon de réduire la pression de l'alimentation en eau (une pression de 50 lb/po² est recommandée).

Système de filtration d'eau

Ne pas utiliser ce produit pour filtrer une eau microbiologiquement polluée ou de qualité inconnue en l'absence d'un dispositif de désinfection adéquat en amont ou en aval du système. Les systèmes certifiés pour la réduction des kystes peuvent être utilisés pour une eau désinfectée susceptible de contenir des kystes filtrables.

Installation d'un filtre à eau

1. Acheter un filtre à eau approuvé.
2. Retirer le filtre à eau neuf de son emballage, puis retirer les protections des joints toriques. S'assurer que les joints toriques sont toujours en place une fois les protections retirées.

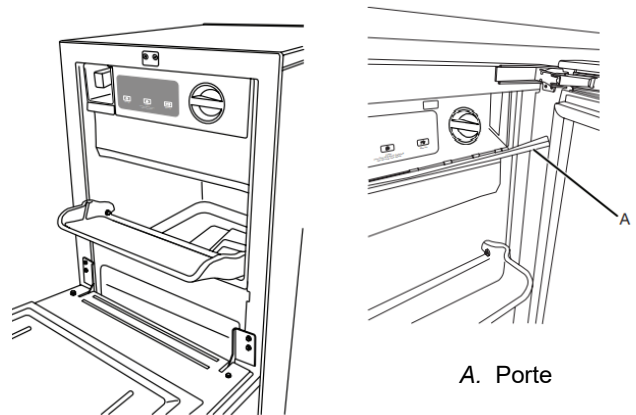


A. Couvercle
B. Joints toriques

C. Tiges d'alignement
D. Flèche d'alignement toriques

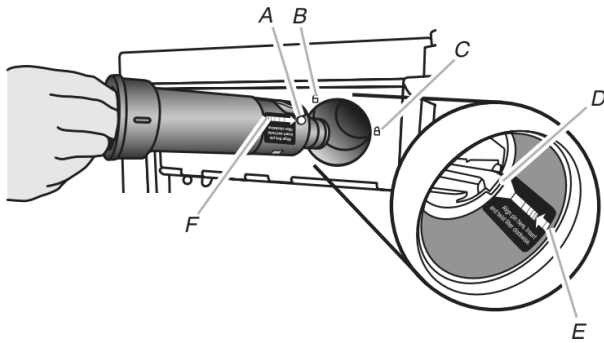
3. Le compartiment du filtre à eau se trouve du côté droit des commandes de la machine à glaçons. Si la porte est installée sur les modèles de 15 po (38,1 cm), appuyer sur le clapet pour dégager le loquet puis abaisser le clapet.

Modèles de 18 po (45,7 cm) Modèles de 15 po (38,1 cm)



A. Porte

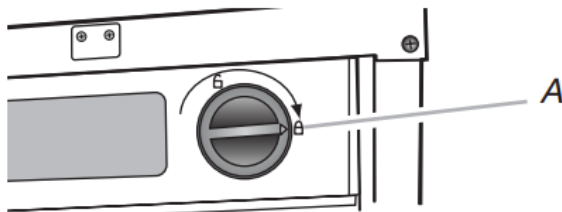
4. En s'aidant de la flèche orientée vers la tige d'alignement sur le côté du filtre et la flèche dans le logement du module de commande, aligner la tige d'alignement avec l'encoche du logement du module de commande et insérer le filtre dans le logement.



- | | |
|------------------------------|---|
| A. Tiges d'alignement | D. Encoche dans le logement du module de commande |
| B. Symbole de déverrouillage | E. Flèche pointant sur l'encoche |
| C. Symbole de verrouillage | F. Flèche pointant sur la tige d'alignement |

5. Tourner le filtre dans le sens horaire jusqu'à ce qu'il s'emboîte dans le logement. S'assurer que la flèche d'alignement de la tête du filtre soit alignée avec le symbole de verrouillage sur le logement du module de commande.

REMARQUE : Si le filtre n'est pas bien emboîté dans le logement, la machine à glaçons ne produira pas de glaçons.



- A. Flèche d'alignement avec symbole de verrouillage

6. Pour les modèles de 15 po (38,1 cm), appuyer sur la porte de la boîte du module de commande pour la fermer – le loquet doit émettre un déclic.

Nettoyage de l'intérieur

⚠ AVERTISSEMENT



Risque de décharge électrique

Déconnecter la source de courant électrique avant le nettoyage.

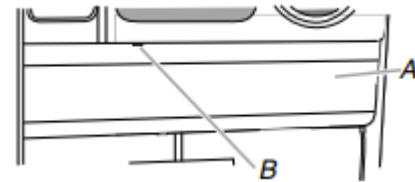
Replacer pièces et panneaux avant de faire la mise en marche.

Le non-respect de cette instruction peut causer un décès ou une décharge électrique.

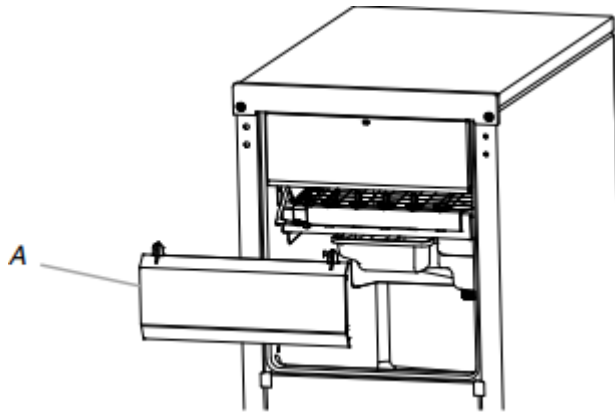
Composants internes

1. Débrancher la machine à glaçons ou couper l'alimentation.
2. Ouvrir la porte où se trouve le bac à glaçons et retirer tout glaçon qui s'y trouve.
3. Retirer le capuchon de vidange du réservoir d'eau et vidanger ce dernier complètement. Réinstaller le capuchon de vidange solidement sur le bac à eau. Si le capuchon de vidange est desserré, l'eau s'écoulera du bac à eau et la glace sera mince ou il n'y aura pas de glace.
4. Tirer le bas du couvercle de la grille de coupe jusqu'à ce qu'il se dégage.

REMARQUE : Sur certains modèles, ôter la vis du couvercle de la grille de coupe.

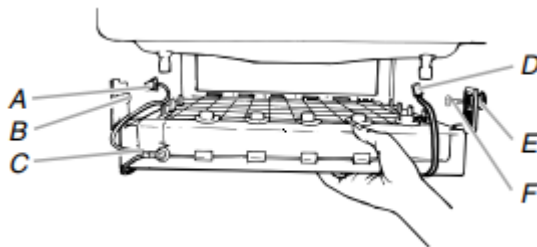


- A. Couvercle de la grille de coupe
B. Vis (sur certains modèles)



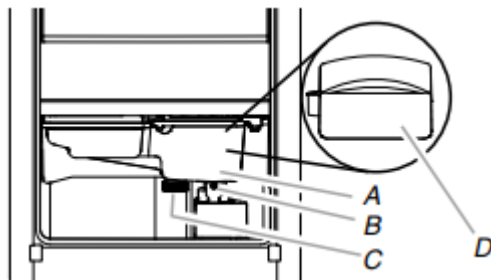
A. Couvercle de la grille de coupe

5. Débrancher le faisceau de câblage de la gauche de la grille de coupe.



A. Faisceau de la grille de coupe
B. Vis
C. Grille de coupe
D. Faisceau du détecteur de niveau de glaçons
E. Cale en plastique
F. Vis

6. Débrancher le faisceau du détecteur de niveau de glaçons de la droite de la grille de coupe. Tirer le détecteur de niveau vers le bas et vers l'avant pour l'éloigner de la grille de coupe.
7. Enlever les vis de droite et de gauche. Soulever et sortir la grille de coupe.
- REMARQUE :** Il faut s'assurer que la cale d'écartement en plastique du côté droit du support de la grille de coupe suit cette dernière.
8. Retirer les vis retenant le bac à eau en place. Tirer sur l'avant du bac à eau.

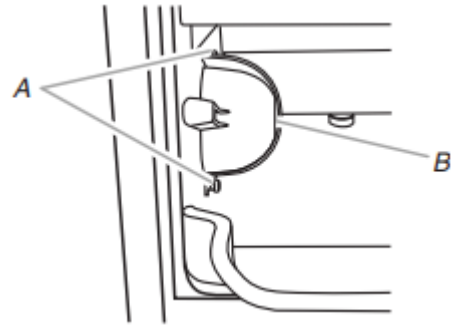


A. Bac à eau
B. Vis du bac à eau
C. Capuchon de vidange
D. Couvercle de la pompe de vidange

9. Déconnecter le support de pompe du bac à eau et débrancher la pompe de vidange du bac à eau.
10. Retirer, nettoyer et réinstaller le support de cuillère à glaçons et la cuillère à glaçons.

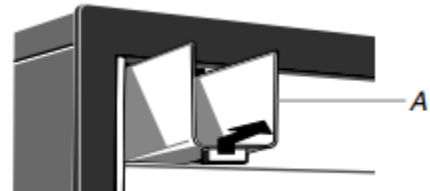
REMARQUE : Sur certains modèles, la cuillère à glaçons se trouve dans la partie supérieure gauche de l'appareil. Sur d'autres, elle se trouve dans la partie inférieure gauche.

Inférieur gauche



A. Vis
B. Support de cuillère à glaçons

Supérieur gauche



A. Support de cuillère à glaçons

Sur certains modèles

- Après avoir retiré la cuillère à glaçons, enlever le support en ôtant les deux vis.
- REMARQUE :** Sur certains modèles en haut à gauche, retirer le support en le soulevant, puis en le sortant.
- Laver le support de la cuillère à glaçons et la cuillère à glaçons en même temps que les autres composants internes en suivant les instructions suivantes.
 - Replacer le support de la cuillère à glaçons en réinstallant les vis, ou sur certains modèles en haut à gauche, en poussant le support vers l'intérieur puis le bas.
11. Laver les composants intérieurs (grille de coupe, extérieur des tuyaux et bac à eau), le bac d'entreposage de glaçons, le joint d'étanchéité de la porte, la cuillère à glaçons et le support de la cuillère à glaçons avec une eau tiède et un savon ou un détergent doux. Rincer avec de l'eau propre. Nettoyer ensuite ces mêmes composants à l'aide d'une solution comprenant 1 cuillère à soupe (15 mL) d'agent de blanchiment dans 1 gal (3,8 L) d'eau tiède. Rincer à nouveau à fond avec de l'eau propre.
- REMARQUE :** Ne pas retirer les tuyaux. Ne pas laver les composants en plastique au lave-vaisselle. Ces composants ne résistent pas à des températures supérieures à 63 °C (145 °F).
12. Pour réinstaller le bac à eau, le placer à l'intérieur du bac à glaçons. Raccorder la pompe de vidange du bac à eau. Remboîter le support de pompe sur le bac à eau et le remettre en place. Fixer le bac à eau en réinstallant la vis de montage.

13. Vérifier ce qui suit :

- Le capuchon de vidange du bac à eau est en place. Si le capuchon de vidange est desserré, l'eau s'écoulera du bac à eau et la glace sera mince ou il n'y aura pas de glace.
- Le tuyau provenant du bac à eau est inséré dans l'ouverture de vidange du bac d'entreposage.

14. Glisser la grille de coupe en place et la fixer en remettant la vis du côté droit et la cale d'espacement en plastique. Serrer ensuite la vis de gauche. Rebrancher les faisceaux de câblage de la grille de coupe et du détecteur de niveau de glaçons.

15. Replacer le couvercle de la grille de coupe.

REMARQUE : Sur certains modèles, remplacer le couvercle de la grille de coupe en utilisant les deux vis retirées précédemment.

16. Nettoyer le tableau de commande en douceur et avec précaution à l'aide d'un torchon propre et doux et d'un mélange d'eau tiède et de détergent à vaisselle liquide doux.

17. Rebrancher la machine à glaçons ou l'alimenter.

18. Après le nettoyage, s'assurer que toutes les commandes sont correctement réglées et qu'aucun témoin de commande ne clignote.

Lavage rapide

Il faudra une bouteille de 16 oz (473 mL) de nettoyant approuvé pour machine à glaçons. Nous recommandons d'utiliser le nettoyant *affresh® pour machine à glaçons.

Nettoyage des surfaces externes

Le système de fabrication des glaçons et le condenseur à air refroidi doivent être nettoyés régulièrement pour que la machine à glaçons puisse fonctionner au maximum de son efficacité et afin d'éviter une défaillance prématurée des composants du système. Voir les sections « Système de la machine à glaçons » et « Condenseur ».

Surfaces externes

Laver les surfaces extérieures et les joints étanches avec de l'eau chaude et un savon doux ou un détergent. Essuyer et sécher. Un chiffon en microfibre propre ou un chiffon doux et propre devrait être utilisé pour polir et sécher.

Pour les machines à glaçons dont l'extérieur est peint ou coloré, utiliser de façon régulière un produit de nettoyage et une cire domestique pour aider à protéger le fini. L'utilisation d'essuie-tout peut érafler et ternir le revêtement transparent de la porte peinte.

Pour les machines à glaçons possédant une surface extérieure en acier inoxydable résistante aux traces de doigts, ne pas utiliser de tampons à récurer savonneux, de nettoyants puissants ou abrasifs, d'autres produits de nettoyage contenant de l'eau de javel, de tampon en laine d'acier, de chiffons de lavage rêches ou d'essuie-tout. L'utilisation de ces produits peut érafler ou ternir le revêtement transparent de la porte en acier inoxydable résistant aux traces de doigts.

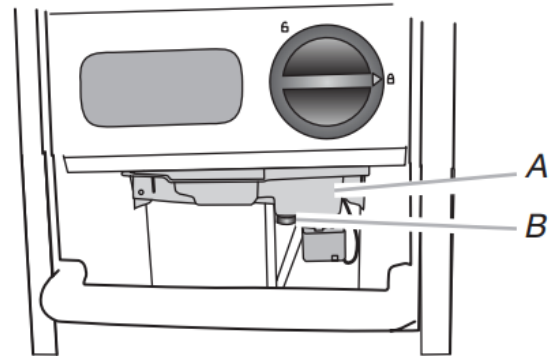
Système de la machine à glaçons

Les minéraux qui sont éliminés de l'eau lors du cycle de congélation finiront par former un dépôt de tartre dans le système d'eau. Un nettoyage régulier du système aide à éliminer l'accumulation de tartre. La fréquence de nettoyage du système dépend de la dureté de votre eau. Lorsque l'eau est dure (15 à 20 grains/gal [4 à 5 grains/litre]), il faudra peut-être nettoyer le système tous les 9 mois.

REMARQUE : Utiliser une bouteille de 16 oz (473 mL) de nettoyant approuvé pour machine à glaçons. Nous recommandons d'utiliser le nettoyant *affresh® pour machine à glaçons.

Pour commander, voir la section « Accessoires » du Guide de démarrage rapide de la machine à glaçons.

1. Appuyer sur le bouton On/Off (marche/arrêt).
2. Attendre de 5 à 10 minutes que les glaçons tombent dans le bac d'entreposage. Retirer tous les glaçons du bac d'entreposage.
3. Dévisser le capuchon de vidange du bas du bac à eau situé à l'intérieur du bac d'entreposage (voir l'illustration). Laisser l'eau se vidanger complètement.



A. Bac à eau
B. Capuchon de vidange

4. Réinstaller le capuchon de vidange solidement sur le bac à eau. Si le capuchon de vidange est desserré, l'eau s'écoulera du bac à eau et la glace sera mince ou il n'y aura pas de glace.
5. Lire et suivre toutes les instructions apparaissant sur la bouteille avant de suivre les étapes suivantes. Utiliser une bouteille de 16 oz (473 mL) de nettoyant approuvé pour machine à glaçons.
6. Verser une bouteille de cette solution dans le bac à eau. Remplir la bouteille à deux reprises avec de l'eau du robinet et verser le contenu dans le bac à eau.
7. Appuyer sur le bouton Clean (nettoyage). Le bouton Nettoyage clignote pour indiquer que le programme de nettoyage est en cours. Lorsque le témoin « Nettoyage terminé » s'allume (après 70 minutes environ), le programme de nettoyage est terminé. Pendant le programme de nettoyage, le système se nettoie et se rince.
8. Une fois que le programme de nettoyage est achevé, retirer le capuchon de vidange du bac à eau. Voir s'il reste de la solution de nettoyage dans le bac à eau. Si la solution de nettoyage se vidange du bac à eau, recommencer le cycle de nettoyage. Veiller à remplir à nouveau le bac à eau de nettoyant avant de recommencer le programme de nettoyage. Veiller à réinstaller le capuchon de vidange solidement sur le bac à eau. Si le capuchon de vidange est desserré, l'eau s'écoulera du bac à eau et la glace sera mince ou il n'y aura pas de glace.
REMARQUE : Les accumulations importantes de calcaire pourraient nécessiter des nettoyages répétés avec une solution de nettoyage fraîche.
9. Appuyer sur le bouton On/Off (marche/arrêt) pour reprendre la production de glaçons.

Vacances ou longue période d'inutilisation

- Lorsque la machine à glaçons n'est pas utilisée pendant une longue période, fermer l'alimentation en eau et en électricité de la machine.
- S'assurer que les tuyaux d'alimentation en eau sont isolés contre le gel. La formation de glace dans les canalisations d'arrivée d'eau peut entraîner une élévation de la pression en eau et endommager la machine à glaçons ou le domicile. La garantie de l'appareil ne couvre pas les dommages imputables au gel.

INSTRUCTIONS D'INSTALLATION

Déballage de la machine à glaçons

⚠ AVERTISSEMENT

Risque de poids excessif

Utiliser deux personnes ou plus pour déplacer et installer l'appareil.

Le non-respect de cette instruction peut causer une blessure au dos ou d'autres blessures.

Enlèvement des matériaux d'emballage

- Pour enlever tout résidu de ruban adhésif ou de colle de la surface extérieure de la machine à glaçons, frotter vivement la zone avec le pouce. Les résidus de ruban adhésif et de colle peuvent aussi facilement être enlevés en frottant à l'aide d'un doigt une petite quantité de savon liquide à vaisselle sur l'adhésif. Rincer à l'eau tiède et sécher.
- Ne pas utiliser d'instruments coupants, d'alcool à friction, de liquides inflammables ou de nettoyants abrasifs pour enlever le ruban adhésif ou la colle. Ne pas utiliser d'eau de Javel sur les surfaces en acier inoxydable de la machine à glaçons. Ces produits peuvent endommager la surface de votre machine à glaçons.

Nettoyage avant utilisation

Après avoir enlevé tous les matériaux d'emballage, nettoyer l'intérieur de la machine à glaçons avant de l'utiliser. Voir les instructions de nettoyage dans la section « Entretien et nettoyage de la machine à glaçons ».

Exigences d'emplacement

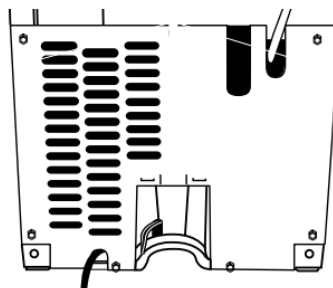
- L'installation doit respecter les dispositions de tous les codes et règlements en vigueur.
- Pour assurer une bonne ventilation de votre machine à glaçons, l'avant doit être entièrement dégagé. Les autres côtés et le dessus de l'appareil peuvent être dissimulés, mais l'installation doit permettre de tirer la machine à glaçons vers l'avant pour y faire l'entretien requis.
- L'ensemble de grilles auxiliaires inclus (seulement sur les modèles avec panneau personnalisé) peut être utilisé pour aligner la grille inférieure avec le reste des armoires sans bloquer la ventilation de la machine à glaçons.
- L'installation de la machine à glaçons requiert un tuyau d'alimentation en eau en cuivre de 1/4 po (6,35 mm) de diamètre extérieur avec robinet d'arrêt ou avec tuyau d'alimentation et pompe de vidange, pour diriger l'eau vers un drain existant.

- Choisir un endroit bien aéré où la température est supérieure à 13 °C (55 °F) et inférieure à 43 °C (110 °F). Les meilleurs résultats sont obtenus lorsque la température est comprise entre 70 °F et 90 °F (21 °C et 32 °C).
- Choisir un emplacement où le plancher est de niveau. La machine à glaçon doit être de niveau pour fonctionner correctement. Au besoin, il est possible de régler la hauteur de la machine à glaçons en changeant la hauteur des pattes de nivellement. Voir la section « Mettre à Niveau et Sécuriser ».
- La machine à glaçons doit être installée dans un endroit protégé des éléments comme le vent, la pluie, les jets d'eau ou les renversements.
- Lorsque l'appareil est installé sous un comptoir, observer les dimensions d'ouverture recommandées. Placer les composants électriques et de plomberie dans la zone recommandée à l'illustration.

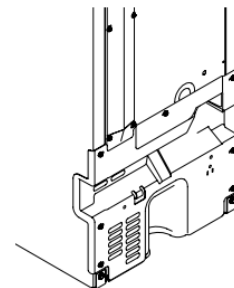
REMARQUE S :

- Vérifier que le cordon d'alimentation n'est pas endommagé, déformé ou coincé entre la machine à glaçons et la caisse de l'appareil.
- Vérifier que le tuyau d'entrée d'eau n'est pas endommagé, déformé ou pincé entre la machine à glaçons et l'armoire.
- Vérifier que la canalisation d'évacuation (sur certains modèles) n'est pas endommagée, déformée ou coincée entre la machine à glaçons et la caisse de l'appareil.
- Vérifier que la porte de la machine à glaçon n'arrive pas en affleurement avec les armoires pour éviter les problèmes lors de l'ouverture de la machine à glaçons.

Identifiant du modèle :

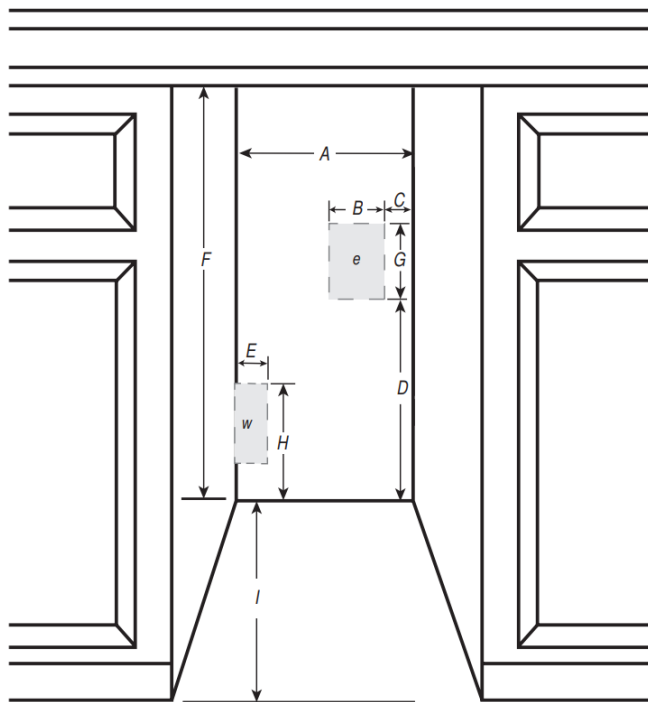


Modèle standard



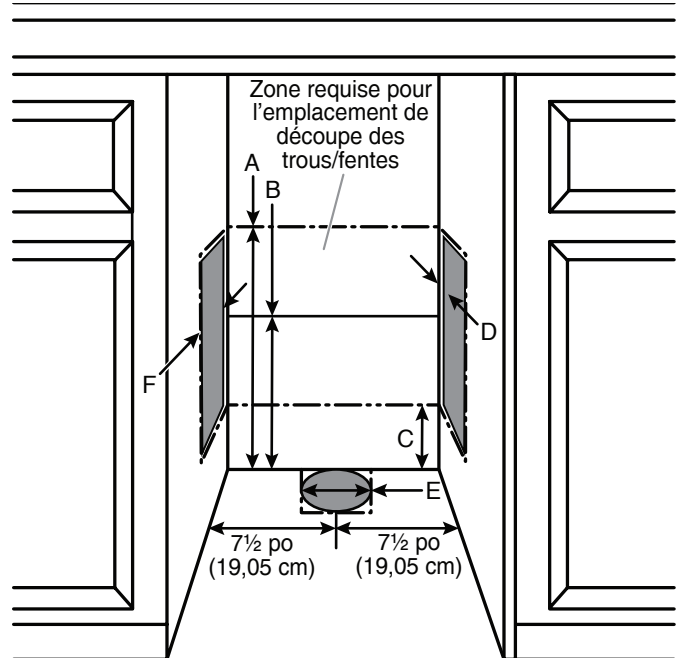
Modèle avec panneau personnalisé

Modèles standards



A	Largeur (pour une machine à glaçons de 15 po)	15 po (38,1 cm) min.
	Largeur (pour une machine à glaçons de 18 po)	18 po (45,7 cm) min.
B	Largeur de l'emplacement de la prise électrique	6 po (15 cm)
C	Emplacement de la prise électrique – distance du côté	1 po (2,5 cm)
D	Emplacement de la prise électrique – distance du bas	12 po (30,5 cm)
E	Largeur de l'emplacement du raccordement de l'eau	3 1/2 po (8,9 cm)
F	Hauteur	34 po (86,4 cm) min. 34 1/2 po (87,6 cm) max.
G	Hauteur de l'emplacement de la prise électrique	8 po (20,3 cm)
H	Hauteur de l'emplacement du raccordement de l'eau	9 po (22,9 cm)
I	Profondeur de l'armoire (min.)	24 po (61,0 cm)
e	Emplacements recommandés pour la prise électrique	
w	Emplacements recommandés du raccordement de l'eau	

Découpes pour aération, tuyaux et câbles



Zones de Découpe pour Aération, Tuyaux et Câble		
Dimension	A	14 po (35,56 cm)
	B	10,5 po (26,67 cm)
	C	7 po (17,8 cm)
	D	0,75 po (1,9 cm)
Diamètre du trou	E	2 po (5,1 cm)
Dimension de découpe	F	2 po (5,1 cm)

- Les modèles de machine à glaçon avec pompe auxiliaire ont été conçus pour une installation en affleurement dans une zone où l'alimentation en électricité, l'alimentation en eau et le tuyau de vidange sont situés dans l'armoire adjacente.
- Pour une installation du produit dont les alimentations et le tuyau de vidange sont situés derrière la machine à glaçons, une installation en affleurement peut ne pas être possible.
- Se référer à l'illustration « Découpes pour Aération, Tuyaux et Câbles », au tableau Zones de découpe pour aération, tuyaux et câble et au gabarit en papier pour connaître l'emplacement des zones de découpe pour aération, tuyaux et câbles.

Electrical Requirements

⚠ AVERTISSEMENT



Risque de décharge électrique

Brancher l'appareil sur une prise à 3 alvéoles reliée à la terre.

Ne pas enlever la prise de liaison à la terre.

Ne pas utiliser d'adaptateur.

Ne pas utiliser de rallonge.

Le non-respect de ces instructions peut causer un décès, un incendie ou une décharge électrique.

Avant de placer la machine à glaçons à son emplacement final, il est important de s'assurer d'avoir le raccordement électrique approprié :

Une alimentation de 115 V CA à 60 Hz reliée à la terre et protégée par un fusible de 15 ou 20 A qui respecte le National Electrical Code, ainsi que les réglementations et codes locaux est requise.

Il est recommandé de réserver un circuit spécial pour la machine à glaçons. Utiliser une prise où l'alimentation ne peut pas être coupée à l'aide d'un interrupteur ou d'une chaînette.

IMPORTANT : Si ce produit est connecté à une prise munie d'un disjoncteur de fuite à la terre, un déclenchement intempestif peut se produire et causer une perte de refroidissement. La qualité des glaçons pourrait en être affectée. Si un déclenchement intempestif se produit et si les glaçons semblent de piètre qualité, jeter le tout.

Méthode recommandée de liaison à la terre

La machine à glaçons doit être reliée à la terre. Cette machine à glaçons est équipée d'un cordon d'alimentation électrique avec fiche à trois broches (liaison à la terre). Pour réduire les risques de décharge électrique, le cordon d'alimentation électrique doit être branché à une prise électrique à trois alvéoles avec mise à la terre respectant le National Electrical Code, ainsi que les réglementations et codes locaux. Si une telle prise n'est pas accessible, le client a la responsabilité de faire installer par un électricien qualifié une prise de courant à trois alvéoles correctement reliée à la terre.

Exigences concernant le raccordement au drain

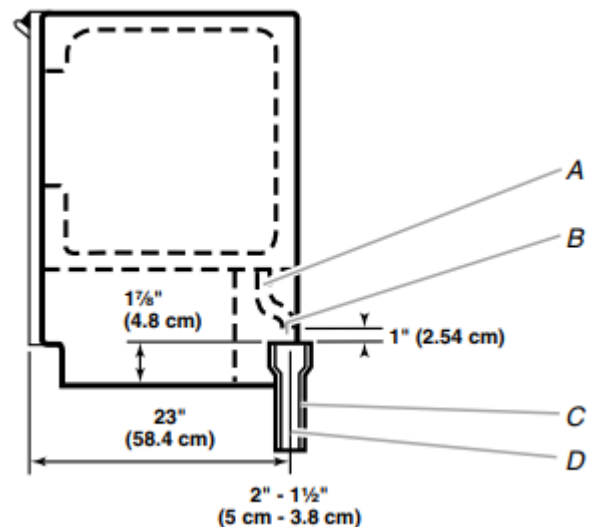
Système de vidange par gravité

Brancher le drain de la machine à glaçons au drain en respectant les réglementations et codes locaux et provinciaux. Si la machine à glaçons est munie d'un système de vidange par gravité, suivre ces instructions pour installer le tuyau de vidange. Ceci aidera à éviter que l'eau ne refoule dans le bac d'entreposage de la machine à glaçons et éventuellement sur le plancher et ne cause des dommages.

- Le tuyau de vidange doit avoir un diamètre intérieur minimum de 5/8 po (15,88 mm).
- Les tuyaux de vidange doivent avoir une pente de 1 po pour chaque 48 po (2,54 cm pour chaque 122 cm) de longueur ou une pente de 1/4 po pour chaque 12 po de longueur (6,35 mm pour chaque 30,48 cm) et ne comporter aucun point bas où l'eau pourrait stagner.
- Les drains de vidange de plancher doivent être suffisamment grands pour recevoir l'eau de vidange provenant de toutes sources.
- L'installation idéale comporte un tuyau de rejet à l'égout en PVC de 1 1/2 po (3,81 cm) à 2 po (5,08 cm) installé immédiatement sous la sortie du tube de vidange. Un écart antiretour de 1 po (2,54 cm) doit être maintenu entre le tuyau de la pompe de vidange et le tuyau de rejet à l'égout.
- Ne pas raccorder l'extrémité de sortie du tuyau de vidange à un système de canalisation fermé afin d'empêcher l'eau de vidange de refouler dans la machine à glaçons.

IMPORTANT : Une pompe de vidange est nécessaire lorsqu'on ne dispose pas de drain au plancher. Il est possible d'acheter la trousse de pompe de vidange. Consulter le Guide de démarrage rapide pour les informations de commande.

Vue latérale



- A. Tuyau d'évacuation
- B. Ouverture pour l'air de 1 po (2,54 cm)
- C. Réducteur de vidange en PVC de 2 po à 1 1/2 po (5 cm à 3,8 cm)
- D. Le centre du drain devrait se trouver à 23 po (58,4 cm) du devant de la porte (avec ou sans le panneau de 3/4 po [1,91 cm] sur la porte. Le drain doit aussi être centré de gauche à droite (7 5/16 po [18,56 cm] de chaque côté de la machine à glaçons).

Système avec pompe de vidange (sur certains modèles)

IMPORTANT :

- Raccorder le tuyau de vidange de la machine à glaçons à votre drain de vidange conformément à l'International Plumbing Code et aux codes et règlements locaux.
- Le circuit de vidange doit se terminer dans un puisard ou un tuyau d'évacuation ouvert (pour impossibilité de reflux).
- Dénivellation maximale de 10 pi (3,1 m)
- Longueur maximale de 100 pi (30,5 m)

REMARQUES :

- Si le tuyau de vidange devient tordu et l'eau ne peut pas se vidanger, votre machine à glaçons ne fonctionnera pas.
- Il sera peut-être souhaitable d'isoler le tuyau de vidange complètement jusqu'à l'entrée du drain de vidange. Il est possible d'acheter une trousse de gaine isolante. Consulter le Guide de démarrage rapide pour les informations de commande.
- Ne pas raccorder l'extrémité de sortie du tuyau de vidange à un système de canalisation fermé afin d'empêcher l'eau de vidange de refouler dans la machine à glaçons.
- Capacité maximale de la pompe de vidange : Pour chaque 1 pi (0,31 m) d'élévation, soustraire 10 pi (3,1 m) de longueur de fonctionnement maximal.

Installation de la pompe de vidange (sur certains modèles)

REMARQUES :

- Raccorder la pompe de vidange au drain en respectant les réglementations et codes locaux et provinciaux.
- L'isolation du tube de vidange jusqu'à la sortie de vidange pourrait être nécessaire pour réduire la condensation dans le tube de vidange. Il est possible d'acheter un ensemble de tube isolé. Consulter le Guide de démarrage rapide pour les informations de commande.
- La pompe de vidange est conçue pour pomper de l'eau jusqu'à une hauteur de 10 pi (3 m). Il est possible d'acheter une trousse de pompe de vidange. Consulter le Guide de démarrage rapide pour les informations de commande.

REMARQUE : Ne pas raccorder l'extrémité de sortie du tuyau de vidange à un système de canalisation fermé afin d'empêcher l'eau de vidange de refouler dans la machine à glaçons.

La trousse de pompe de vidange contient :

- Pompe de vidange.
- Tube de vidange de 5/8 po de diamètre intérieur x 5 1/8 po (du bac à glaçons vers l'entrée du réservoir de la pompe de vidange).
- Tube de vidange de 1/2 po de diamètre intérieur x 10 pi (3 m) (du tuyau d'évacuation de la pompe de vidange au drain de la maison).
- Tube de ventilation de 5/16 po de diamètre intérieur x 32 po (81 cm) (du tube de ventilation du réservoir de la pompe de vidange à l'arrière de la machine à glaçons).
- (3) serre-câbles (pour fixer le tube de ventilation au dos de la machine à glaçons).
- (5) vis de montage de la pompe no 8-32 x 3/8 po (pour fixer la pompe de vidange à la plaque de base et aux brides du dos du tube d'aération).
- Petite bride de tuyau réglable de 5/8 po (pour fixer le tuyau de ventilation à la pompe de vidange).
- (3) grande bride de tuyau réglable de 7/8 po (pour fixer le tuyau de vidange au bac de la machine à glaçons et au réservoir de la pompe de vidange).

- (2) panneau arrière.
- Fiche d'instructions.

Si la machine à glaçons est déjà installée

REMARQUE : Si la machine à glaçons n'est pas installée, passer à la section « Installation de la pompe de vidange » à la page 31.

1. Placer le commutateur à la position d'arrêt.

⚠ AVERTISSEMENT



Risque de décharge électrique

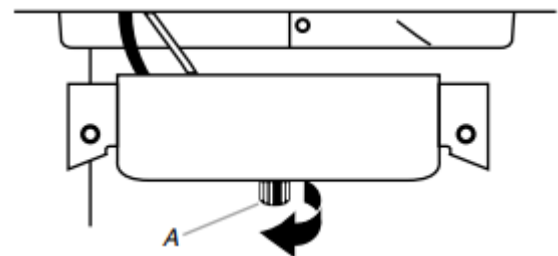
Déconnecter la source de courant électrique avant l'entretien.

Replacer pièces et panneaux avant de faire la mise en marche.

Le non-respect de cette instruction peut causer un décès ou une décharge électrique.

2. Débrancher la machine à glaçons ou couper l'alimentation.
3. Couper l'alimentation en eau. Attendre de 5 à 10 minutes que les glaçons tombent dans le bac d'entreposage. Enlever les glaçons du bac d'entreposage.
4. Dévisser le capuchon de vidange du dessous du bac à eau situé à l'intérieur du bac d'entreposage. Laisser l'eau s'écouler entièrement. Replacer le capuchon de vidange. Voir l'illustration « Capuchon de vidange ».

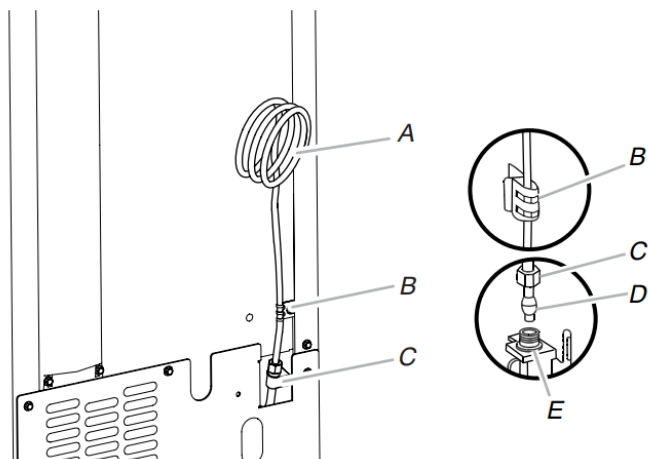
Capuchon de vidange



A. Capuchon de vidange

5. Si la machine à glaçons est installée dans une armoire, la retirer de l'ouverture.
6. Déconnecter la canalisation d'alimentation en eau. Voir l'illustration « Canalisation d'alimentation en eau ».

Canalisation d'alimentation en eau



- A. Tuyau de cuivre de 1/4 po
 B. Bride de câble
 C. Écrou de compression de 1/4 po
 D. Bague de compression (manchon)
 E. Raccordement de la machine à glaçons

Installation de la pompe de vidange

REMARQUE : Ne pas plier, écraser ou endommager les tubes et câbles pendant l'installation.

⚠ AVERTISSEMENT



Risque de décharge électrique

Déconnecter la source de courant électrique avant l'entretien.

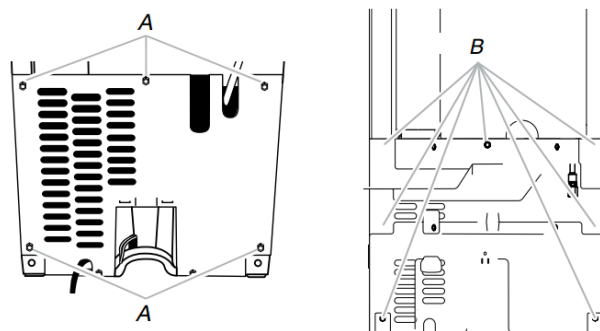
Replacer pièces et panneaux avant de faire la mise en marche.

Le non-respect de cette instruction peut causer un décès ou une décharge électrique.

1. Débrancher la machine à glaçons ou couper l'alimentation.

2. Retirer le panneau arrière. Voir l'illustration « Panneau arrière » pour connaître les emplacements de vis. Retirer le panneau arrière du tube de vidange et le jeter. Pour le modèle standard, mettre le panneau arrière aux rebus. Pour le modèle avec panneau personnalisé, mettre de côté le panneau arrière (il sera utilisé à une étape ultérieure).

Panneau arrière



- A. Emplacements des vis pour le modèle standard
 B. Emplacements des vis pour le modèle avec panneau personnalisé

3. Enlever le vieux tube de vidange et la bride fixée au bac de la machine à glaçons.

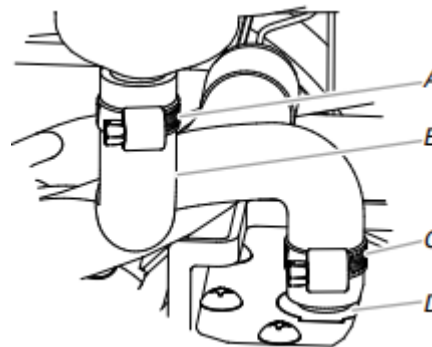
REMARQUE : Jeter le vieux tube de vidange et sa bride.

4. Installer le nouveau tube de vidange (5/8 po de diamètre intérieur x 5 1/8 po) du bac de la machine à glaçons au réservoir de la pompe de vidange en utilisant les nouvelles

REMARQUE :

- Ne pas plier le tube.
- Au besoin, couper à la bonne longueur.

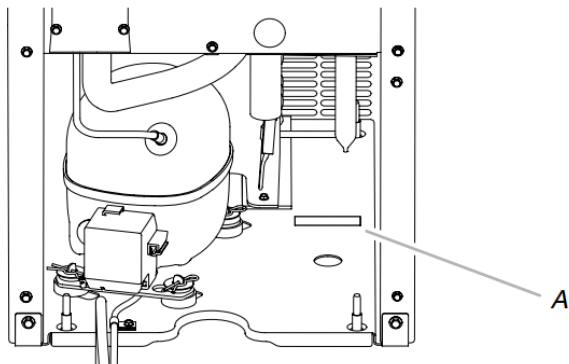
Tube de vidange



- A. Bride de tuyau réglable de 7/8 po
 B. Tube de vidange (entre le bac à glaçons et la pompe de vidange)
 C. Bride de tuyau réglable de 7/8 po
 D. Entrée du réservoir de la pompe de vidange

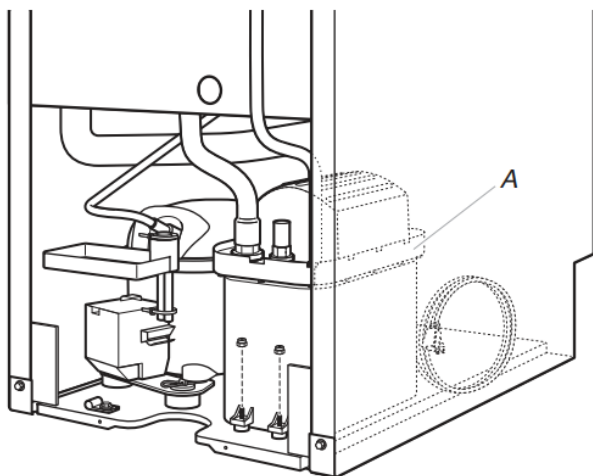
- Glisser la pompe de vidange dans la base de la machine à glaçons, sur le côté droit. L'onglet d'installation de la pompe devrait glisser dans la fente rectangulaire de la base de la machine à glaçons. La pompe devra être légèrement inclinée pour insérer l'onglet dans la fente. Voir l'illustration « Fente pour l'onglet d'installation de la pompe de vidange ».

Fente pour l'onglet d'installation de la pompe de vidange



A. Fente de l'onglet de montage

Pompe de vidange installée



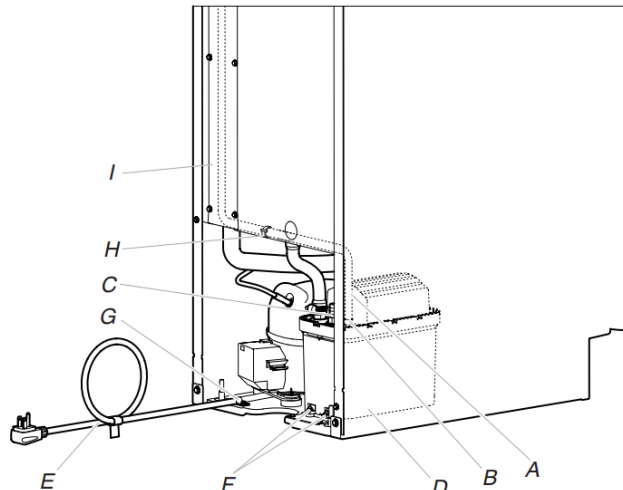
A. Pompe de vidange installée

- Aligner les deux trous de vis situés à l'arrière de la pompe. Utiliser deux vis no 8-32 x 3/8 po (incluses). Voir l'illustration « Emplacements des pièces ».

- Installer le tube de ventilation (5/16 po de diamètre intérieur x 32 po [81 cm]) à la ventilation du réservoir de la pompe de vidange. Utiliser l'une des petites brides réglables incluses de 5/8 po. Voir l'illustration « Emplacements des pièces ». Utiliser un dispositif de retenue en plastique pour fixer de façon sécuritaire le conduit flexible à l'intérieur de la tête supérieure.

REMARQUE : Attendre avant d'installer le tube de vidange vers le drain de la maison.

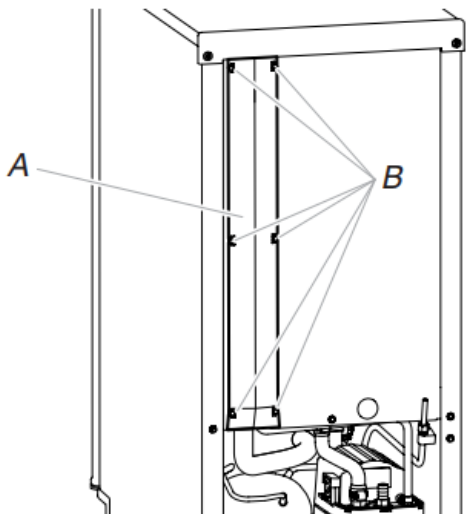
Emplacements des pièces



- | | |
|--|---|
| A. Tube de ventilation | F. Vis de montage de la pompe no 8-32 x 3/8 po |
| B. Bride de tuyau de 5/8 po | G. Cordon d'alimentation de la pompe de vidange, bride et vis |
| C. Tuyau d'évacuation de la pompe de vidange | H. Dispositif de retenue en plastique |
| D. Pompe de vidange | I. Couvercle du boîtier de connexion |
| E. Cordon d'alimentation de la machine à glaçons | |

- Raccorder le tuyau de vidange à la sortie (5/8 po de diamètre interne) du bac de la machine à glaçons à l'aide de la bride de 7/8 po fournie. Voir l'illustration « Tube de vidange » à l'étape 4.

9. Retirer le couvercle du boîtier de connexion. Consulter l'illustration suivante pour l'emplacement des vis.

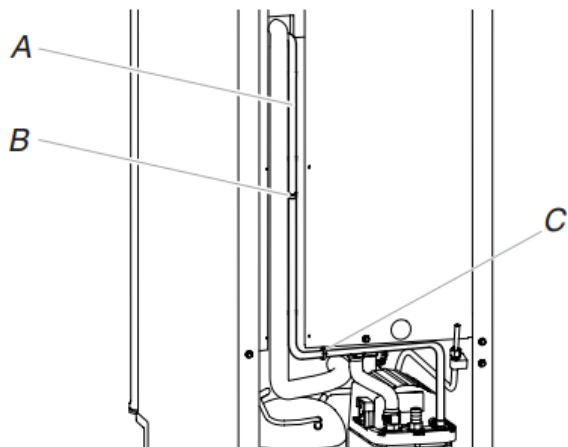


A. Couvercle du boîtier de connexion
B. Vis

10. Passer le tube de ventilation dans le dispositif de retenue en plastique situé sous la tête supérieure dans la zone ouverte de la pompe, comme illustré. À l'aide d'une attache monousage, fixer le tube de ventilation au dos du tube d'aération situé derrière le couvercle du boîtier de connexion. Voir l'illustration « Tube de ventilation ».

Tube de ventilation

REMARQUE : Ne pas pincer, plier ou endommager le tube de ventilation. Vérifier que le tube n'est pas endommagé, plié ou pincé entre l'armoire et la machine à glaçons.



A. Tube de ventilation
B. Brides et vis/attaches mono-usage
C. Dispositif de retenue en plastique

11. Fixer de nouveau le couvercle du boîtier de connexion à sa place.
12. Enlever la bride du cordon d'alimentation et la vis de mise à la terre qui relie le cordon d'alimentation et la base de l'appareil. Voir l'illustration « Emplacement de pièces » à l'étape 7.

REMARQUE : La bride et la vis seront de nouveau utilisées.

13. Enrouler le cordon d'alimentation de la machine à glaçons pour créer un rouleau de 4 po (10,2 cm). Utiliser du ruban électrique à plusieurs endroits pour maintenir le cordon en rouleau. Placer le rouleau de cordon d'alimentation entre la pompe de vidange et le côté, puis le brancher à la pompe de vidange. Voir l'illustration « Emplacement de pièces » à l'étape 7.

14. Fixer le cordon d'alimentation de la pompe de vidange à la base de la machine à glaçons à l'aide de la bride et de la vis enlevées à l'étape 12 et qui servaient à fixer le cordon d'alimentation du cordon d'alimentation de la machine à glaçons. Voir l'illustration « Emplacement de pièces » à l'étape 7.

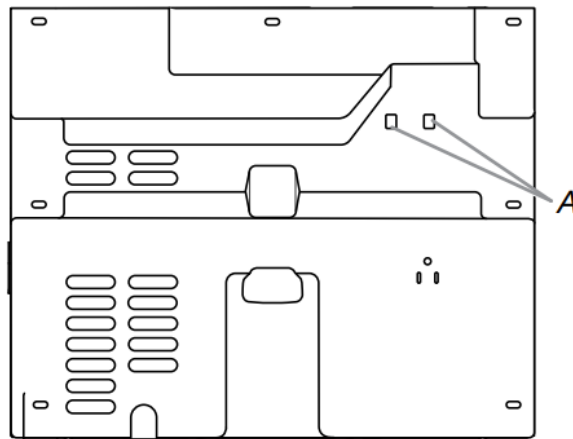
15. Pour le modèle standard, placer le nouveau panneau arrière (le petit pour une machine à glaçons de 15 po, le grand pour une de 18 po) au dos de la machine à glaçons. Pour le modèle avec panneau personnalisé, utiliser le panneau arrière en plastique (enlevé à l'étape 2). Acheminer le tube de ventilation et le tuyau de vidange de la pompe à travers les ouvertures du panneau arrière.

16. Fixer le tube de ventilation au dos de la machine à glaçons à l'aide de trois brides et de 3 vis no 8-32 x 3/8 po (incluses). Voir l'illustration « Tube de ventilation » de l'étape 10.

17. Fixer le tube de vidange de 1/2 po de diamètre intérieur x 10 pi (3 m) à la pompe de vidange. Voir l'illustration « Emplacement de pièces » à l'étape 7.

REMARQUE : Ne pas raccorder l'extrémité de sortie du tuyau de vidange à un système de canalisation fermé afin d'empêcher l'eau de vidange de refouler dans la machine à glaçons. Pour le modèle standard, passer à l'étape 20.

18. Installer l'attache mono-usage sur le panneau arrière en la passant par les deux trous situés sur le panneau arrière. Offert sur certains modèles.



A. Trous pour l'attache mono-usage

19. À l'aide d'une attache mono-usage, fixer le tube de vidange au panneau arrière.

20. Fixer le panneau arrière à l'aide des vis d'origine. Voir l'illustration « Panneau arrière » de l'étape 2.

21. Raccorder la machine à glaçons à l'arrivée d'eau et l'installer comme indiqué dans les instructions d'installation du produit.

REMARQUE : Une fois l'appareil branché à l'alimentation et qu'il se trouve à l'emplacement final : Verser 1 gallon d'eau dans le bac d'entreposage à glaçons; l'eau devrait s'écouler. Si ce n'est pas le cas, il pourrait y avoir un tube de vidange plié. Vérifier le cheminement du tube de vidange pour blocage. Contrôler également les fuites.

22. Vérifier l'absence de fuites à tous les raccords.

⚠ AVERTISSEMENT



Risque de décharge électrique

Brancher l'appareil sur une prise à 3 alvéoles reliée à la terre.

Ne pas enlever la prise de liaison à la terre.

Ne pas utiliser d'adaptateur.

Ne pas utiliser de rallonge.

Le non-respect de ces instructions peut causer un décès, un incendie ou une décharge électrique.

23. Rebrancher la machine à glaçons ou l'alimenter.

24. Mettre la machine à glaçons en marche.

25. Attendre que le programme de rinçage se déclenche (environ 5 minutes) pour s'assurer que la machine à glaçons fonctionne correctement.

Spécifications de l'alimentation en eau

S'assurer que les tuyaux d'alimentation en eau sont isolés contre le gel. La formation de glace dans les canalisations d'arrivée d'eau peut entraîner une élévation de la pression en eau et endommager la machine à glaçons ou le domicile. La garantie de l'appareil ne couvre pas les dommages imputables au gel de la canalisation d'arrivée d'eau.

Une alimentation en eau froide avec une pression entre 207 à 827 kPa (30 et 120 lb/po²) est nécessaire pour faire fonctionner la machine à glaçons. Pour toute question au sujet de la pression de l'eau, faire appel à un plombier qualifié agréé.

Alimentation en eau par osmose inverse

IMPORTANT :

- Ne pas utiliser ce produit pour filtrer une eau microbiologiquement polluée ou de qualité inconnue en l'absence d'un dispositif de désinfection adéquat en amont ou en aval du système. Les systèmes certifiés pour la réduction des kystes peuvent être utilisés pour une eau désinfectée susceptible de contenir des kystes filtrables.
- Un système de filtration de l'eau par osmose inverse n'est pas recommandé pour les machines à glaçons avec pompe de vidange.
- Pour les systèmes de vidange par gravité seulement.
- Brancher à une alimentation en eau potable uniquement.
- La pression de l'alimentation en eau entre le système d'osmose inverse et le robinet d'arrivée d'eau de la machine à glaçons doit se situer entre 207 à 827 kPa (30 et 120 lb/po²).

Si un système de filtration de l'eau par osmose inverse est raccordé à votre alimentation en eau froide, la pression de l'eau au système doit être d'un minimum de 276 à 414 kPa (40 à 60 lb/po²).

REMARQUE : Le système par osmose inverse doit fournir 3,8 L (1 gal) d'eau à l'heure à la machine à glaçons pour lui permettre de fonctionner correctement. Si le système par osmose inverse est nécessaire, seul un système capable de fournir toute la maison et d'alimenter de façon constante en eau la machine à glaçons est recommandé. Les systèmes par osmose inverse sur robinet ne sont pas capables de fournir l'alimentation constante en eau requise par la machine à glaçons.

Si la pression d'eau au système de filtration par osmose inverse est inférieure à 276 - 414 kPa (40 - 60 lb/po²) :

- Vérifier que le filtre à sédiment dans le système à osmose inverse n'est pas obstrué. Remplacer le filtre si nécessaire.
- Laisser le réservoir du système d'osmose inverse se remplir après une utilisation intense.

Pour toute question au sujet de la pression de l'eau, faire appel à un plombier qualifié agréé.

Raccordement à la canalisation d'eau

Lire toutes les instructions avant de commencer.

IMPORTANT :

- Brancher à une alimentation en eau potable uniquement.
- Ne pas utiliser ce produit pour filtrer une eau microbiologiquement polluée ou de qualité inconnue en l'absence d'un dispositif de désinfection adéquat en amont ou en aval du système. Les systèmes certifiés pour la réduction des kystes peuvent être utilisés pour une eau désinfectée susceptible de contenir des kystes filtrables.
- Réaliser l'installation de plomberie conformément aux prescriptions du International Plumbing Code et des normes et codes locaux en vigueur.
- Utiliser un tuyau en cuivre ou un tuyau d'alimentation et vérifier qu'il n'y a pas de fuite.
- Installer des tuyaux seulement là où les températures resteront au-dessus du point de congélation.

Outils requis :

Rassembler les outils et pièces nécessaires avant d'entreprendre l'installation.

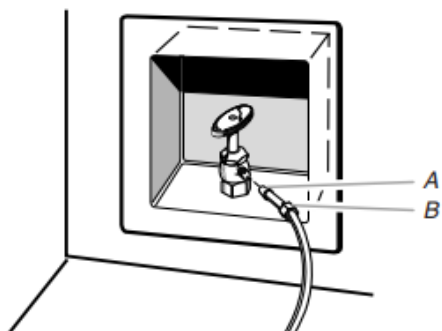
- Tournevis à tête plate
- Clés plates de 7/16 po et 1/2 po ou deux clés à molette
- Tourne-écrou de 1/4 po

REMARQUE : Ne pas employer de robinet d'arrêt à étrier de 3/16 po (4,76 mm) ou de type à percer – ils réduisent le débit d'eau et s'obstruent plus facilement.

Raccordement à la canalisation d'eau

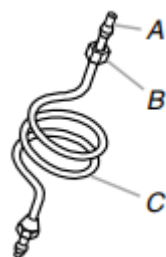
1. Couper l'alimentation principale en eau. Ouvrir le robinet le plus proche assez longtemps pour vider l'eau du tuyau.
2. À l'aide d'une canalisation d'entrée d'eau de 1/2 po et d'un robinet d'arrêt quart de tour ou équivalent, raccorder la machine à eau comme indiqué.

REMARQUE : Pour que la machine à glaçons reçoive un débit d'eau suffisant, on recommande l'emploi d'une canalisation d'alimentation domestique en cuivre d'un diamètre minimum de 1/2 po.



A. Ampoule B. Écrou

3. On est maintenant prêt à connecter le tuyau en cuivre. Utiliser un tuyau en cuivre flexible d'un diamètre extérieur de 1/4 po (6,35 mm) pour l'alimentation en eau froide.
 - S'assurer d'avoir la longueur nécessaire pour une installation correcte. Il faut s'assurer que les deux extrémités du tuyau en cuivre sont bien coupées à angle droit.
 - Installer le manchon et l'écrou à compression sur le tuyau en cuivre (voir l'illustration). Insérer l'extrémité du tuyau aussi profondément que possible dans l'extrémité de sortie et à l'équerre. Visser l'écrou de compression sur l'extrémité de sortie du raccord à l'aide d'une clé à molette. Ne pas serrer excessivement.
 - Pour l'installation du panneau personnalisé, s'assurer que le tuyau d'entrée d'eau dépasse de 30 po (762 mm) derrière les armoires pour permettre les entretiens futurs.



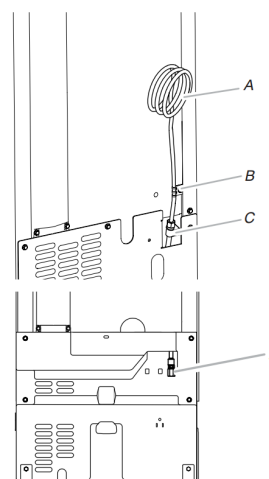
A. Virole de compression C. Tube de cuivre
B. Écrou de compression

4. Placer l'extrémité libre de la canalisation dans un contenant ou un évier et rétablir l'alimentation principale en eau pour nettoyer le tuyau jusqu'à ce que l'eau soit limpide. Fermer le robinet d'arrêt de la canalisation d'eau.

IMPORTANT : Toujours vidanger le tuyau d'alimentation en eau avant de faire le raccordement final sur l'entrée du robinet pour éviter tout mauvais fonctionnement éventuel du robinet.

5. Plier le tuyau de cuivre pour l'aligner avec le tuyau d'entrée d'eau. Le tuyau d'entrée d'eau est situé sur le côté arrière de la machine à glaçons comme dans l'illustration « Vue arrière ». Laisser un serpentín de tube en cuivre pour permettre de sortir la machine à glaçons de l'armoire ou du mur en cas d'entretien.

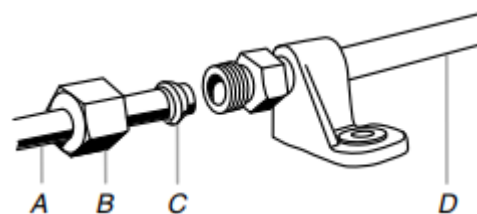
Vue arrière



A. Tube de cuivre C. Bride de tuyau d'entrée d'eau et raccord de canalisation pour le modèle standard
B. Bride du tuyau du robinet D. Tuyau d'entrée d'eau pour le modèle avec panneau personnalisé

6. Retirer et jeter le petit tube de plastique de l'extrémité du point d'entrée de la canalisation d'eau.
7. Enfiler l'écrou sur l'extrémité du tuyau. Serrer l'écrou manuellement. Ensuite, serrer deux tours de plus avec une clé. Ne pas serrer excessivement.

REMARQUE : Pour éviter les vibrations, veiller à ce que les tuyaux en cuivre ne soient pas en contact avec les parois latérales de la machine à glaçons ou d'autres composants à l'intérieur de la caisse.



A. Canalisation jusqu'à la machine à glaçons C. Virole de compression
B. Écrou de compression D. Canalisation fournie provenant de la machine

8. Installer la bride de la canalisation d'alimentation en eau bien autour de la canalisation pour réduire la pression sur le raccord. Pour les modèles avec panneau personnalisé, passer cette étape.
9. Ouvrir le robinet d'arrêt.
10. Vérifier qu'il n'y a pas de fuites. Serrer tous les raccords (y compris les raccords du robinet) ou les écrous qui présentent des fuites.

Raccordement de la vidange

Après avoir vérifié que le système de vidange est adéquat, il faut procéder comme décrit ci-dessous pour bien mettre la machine à glaçons en place :

⚠ AVERTISSEMENT



Risque de décharge électrique

Brancher l'appareil sur une prise à 3 alvéoles reliée à la terre.

Ne pas enlever la prise de liaison à la terre.

Ne pas utiliser d'adaptateur.

Ne pas utiliser de rallonge.

Le non-respect de ces instructions peut causer un décès, un incendie ou une décharge électrique.

1. Brancher la machine à glaçons sur une prise de courant à 3 alvéoles, reliée à la terre.

⚠ AVERTISSEMENT

Risque de poids excessif

Utiliser deux personnes ou plus pour déplacer et installer l'appareil.

Le non-respect de cette instruction peut causer une blessure au dos ou d'autres blessures.

2. **Style 1** – Pour un système de vidange par gravité, pousser la machine à glaçons en position pour que le conduit de vidange soit positionné au-dessus du réducteur de vidange en PVC. Voir la section « Système de vidange par gravité ».
Style 2 – Pour le système avec pompe de vidange, connecter le tuyau de sortie de la pompe au drain. Voir la section « Système avec pompe de vidange ».
REMARQUE : Ne pas raccorder l'extrémité de sortie du tuyau de vidange à un système de canalisation fermé afin d'empêcher l'eau de vidange de refouler dans la machine à glaçons.
3. Vérifier à nouveau la machine à glaçons pour s'assurer qu'elle est bien d'aplomb. Consulter la section « Mettre de niveau et sécuriser ».
4. Mettre la machine à glaçons en marche. Attendre que le programme de rinçage se déclenche (environ 5 minutes) pour s'assurer que la machine à glaçons fonctionne correctement.
5. Si le code sanitaire local l'exige, sceller la machine sur le plancher à l'aide d'un produit de calfeutrage approuvé une fois que les raccordements d'eau et d'électricité ont été faits.

Leveling and Securing

La machine à glaçon doit être de niveau pour fonctionner correctement. Selon l'endroit où vous installez la machine à glaçons, vous pourrez avoir à effectuer plusieurs ajustements pour la mettre d'aplomb. Vous pouvez également utiliser les pieds de nivellement pour baisser la hauteur de la machine à glaçons pour les installations sous comptoir.

Outils requis :

Rassembler les outils et pièces nécessaires avant d'entreprendre l'installation.

- Niveau
- Clé à molette

REMARQUE : Il est plus facile d'ajuster les pieds de nivellement si on se fait aider par une autre personne.

⚠ AVERTISSEMENT

Risque de poids excessif

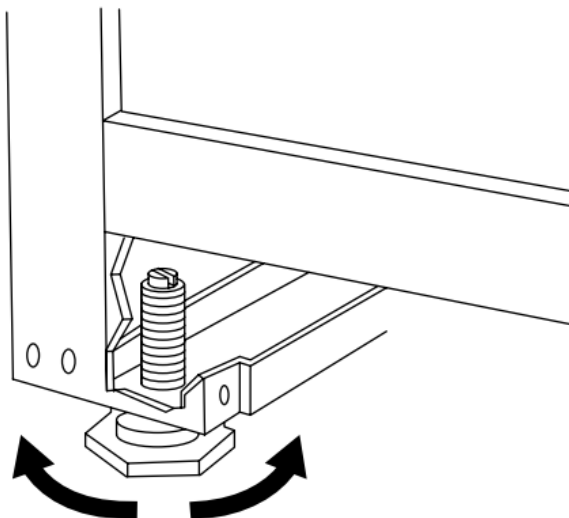
Utiliser deux personnes ou plus pour déplacer et installer l'appareil.

Le non-respect de cette instruction peut causer une blessure au dos ou d'autres blessures.

1. Déplacer la machine à glaçons jusqu'à son emplacement final. Pour éviter d'endommager le plancher, bien le recouvrir de carton ou de contreplaqué.
REMARQUE : S'il s'agit d'une installation intégrée, déplacer la machine à glaçons aussi près que possible de son emplacement final.

Pour les modèles standards :

2. Placer un niveau sur le dessus pour voir si la machine à glaçons est d'aplomb d'avant en arrière et transversalement.
3. Pousser vers le haut sur la partie avant de la machine à glaçons pour repérer les vis de nivellement qui se trouvent en bas à l'avant de la machine à glaçons.
4. Au moyen d'une clé à molette, modifier la hauteur des pieds comme suit :
 - Tourner le pied de nivellement vers la droite pour abaisser ce côté de la machine à glaçons.
 - Tourner le pied de nivellement vers la gauche pour soulever ce côté de la machine à glaçons.**REMARQUE** : La machine à glaçons ne devrait pas osciller. Utiliser des cales pour accroître la stabilité, au besoin.



5. Pousser vers le haut sur la partie arrière de la machine à glaçons pour repérer les pieds de nivellement qui se trouvent en bas à l'arrière de la machine à glaçons.
6. Suivre les instructions de l'étape 4 pour modifier la hauteur des pieds.
7. Utiliser un niveau pour vérifier que la machine à glaçons est d'aplomb d'avant en arrière et transversalement. Si la machine à glaçons n'est pas d'aplomb, répéter les étapes 2 à 5. Si la machine à glaçons est de niveau, passer à la section « Raccordement de l'Alimentation en Eau ».

Pour les modèles encastrés :

⚠ AVERTISSEMENT



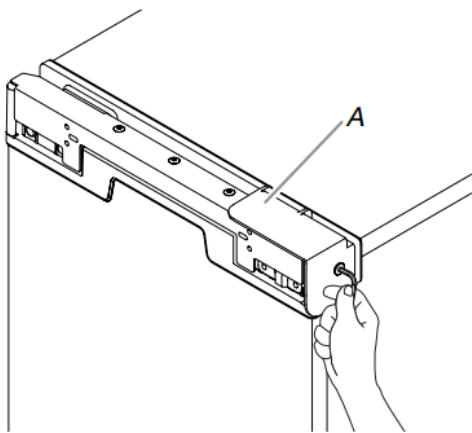
Risque d'Écrasement

Les charnières articulées sont conçues pour se fermer toutes seules et plusieurs points de pincement existent avant l'installation dans l'armoire.

Ne pas retirer les couvre-charnières avant que le produit ne soit prêt à être installé.

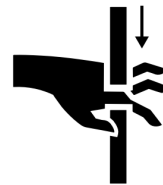
Le non-respect de ces instructions peut causer une blessure par écrasement, coupure ou pincement.

8. Retirer les vis fixant le dessus et le dessous des couvre-charnières en utilisant un tourne-écrou hexagonal de 3/16 po.



A. Couvre-charnière

⚠ AVERTISSEMENT



Risque d'Écrasement

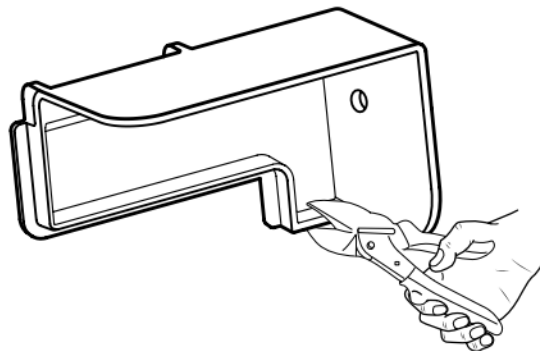
Les charnières articulées sont conçues pour se fermer toutes seules et plusieurs points de pincement existent avant l'installation dans l'armoire.

Ne pas ouvrir ou fermer les charnières lorsqu'elles sont enlevées de la machine à glaçons.

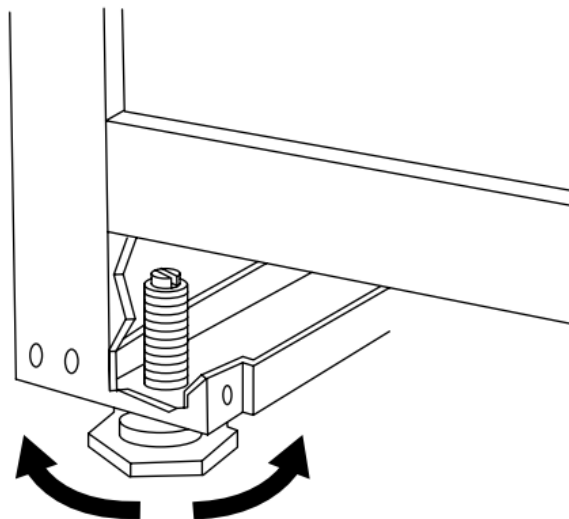
Le non-respect de ces instructions peut causer une blessure par écrasement, coupure ou pincement.

9. À l'aide d'une pince, retirer les couvre-charnières des charnières inférieure et supérieure.

REMARQUE : Conserver les couvre-charnières pour une éventuelle réutilisation future. Réinstaller les couvre-charnières si la machine à glaçons est retirée de l'installation dans l'armoire.



10. Pour l'installation du panneau personnalisé, installer le panneau de porte en respectant les instructions de la section « Panneau Personnalisé de Bois ».
11. Utiliser les pieds de nivellement pour aligner la porte de la machine à glaçons avec l'ouverture de l'armoire adjacente.



⚠ AVERTISSEMENT

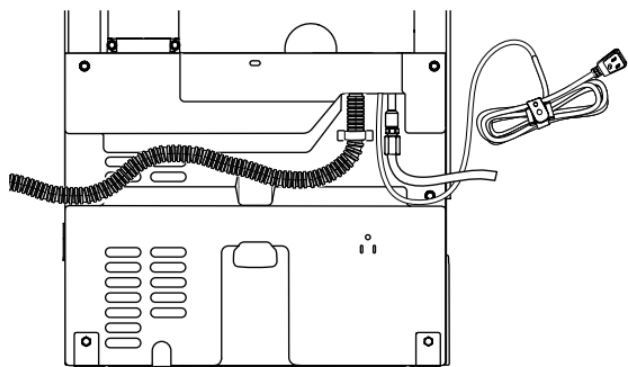
Risque de poids excessif

Utiliser deux personnes ou plus pour déplacer et installer l'appareil.

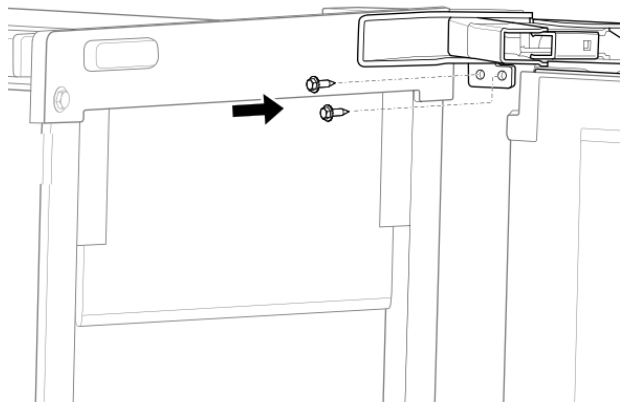
Le non-respect de cette instruction peut causer une blessure au dos ou d'autres blessures.

12. Glisser la machine à glaçons dans l'armoire tout en faisant attention aux positions des connexions à l'arrière de la machine à glaçons. Pour éviter d'endommager le plancher, bien le recouvrir de carton ou de contreplaqué.

IMPORTANT : Pour une installation en affleurement d'un modèle avec panneau personnalisé, les connexions à la machine à glaçons doivent passer par la fente du panneau arrière de la machine à glaçons. Toutes les fois où la machine à glaçons est retirée de l'armoire pour en effectuer l'entretien, effectuer la même procédure pour replacer l'appareil dans l'armoire.

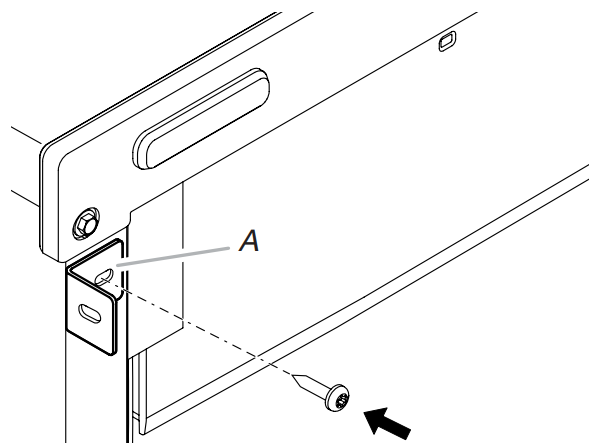


13. S'assurer que la machine à glaçon est à la bonne profondeur. Fixer les charnières du haut et du bas sur le côté de l'armoire en utilisant des vis à bois.



14. Fixer les supports d'armoire (inclus avec la machine à glaçons) aux trous à l'avant de la machine à glaçons comme illustré. Fixer les charnières d'armoire sur le côté de l'armoire en utilisant des vis à bois.

REMARQUE : Pour l'installation du panneau de bois personnalisé, continuer l'installation à l'étape 6 « Installation du Panneau Personnalisé ».



A. Supports d'armoire

Panneau de bois personnalisé

Dimensions du panneau personnalisé

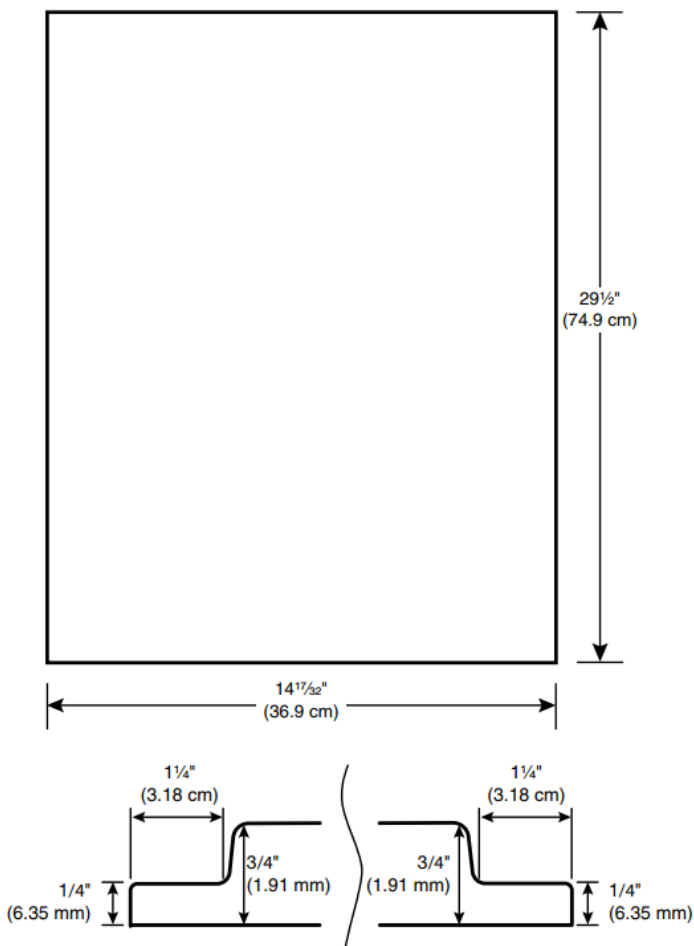
Pour l'installation d'un panneau décoratif personnalisé, l'installateur devra fabriquer lui-même le panneau ou consulter un ébéniste ou menuisier qualifié.

IMPORTANT :

- L'épaisseur du panneau décoratif doit être de 3/4 po (1,91 cm).
- Le poids du panneau décoratif ne doit pas dépasser 8 lb (3,62 kg).
- Des panneaux de poids supérieur au poids recommandé risquent d'endommager la machine à glaçons.
- Veiller à ce que le grain du bois ait la même orientation que pour les armoires adjacentes.
- Poncer les bords du panneau pour créer un fini doux.
- Utiliser un composant d'étanchéité sur les faces et les bords du panneau pour le protéger contre l'humidité extérieure.

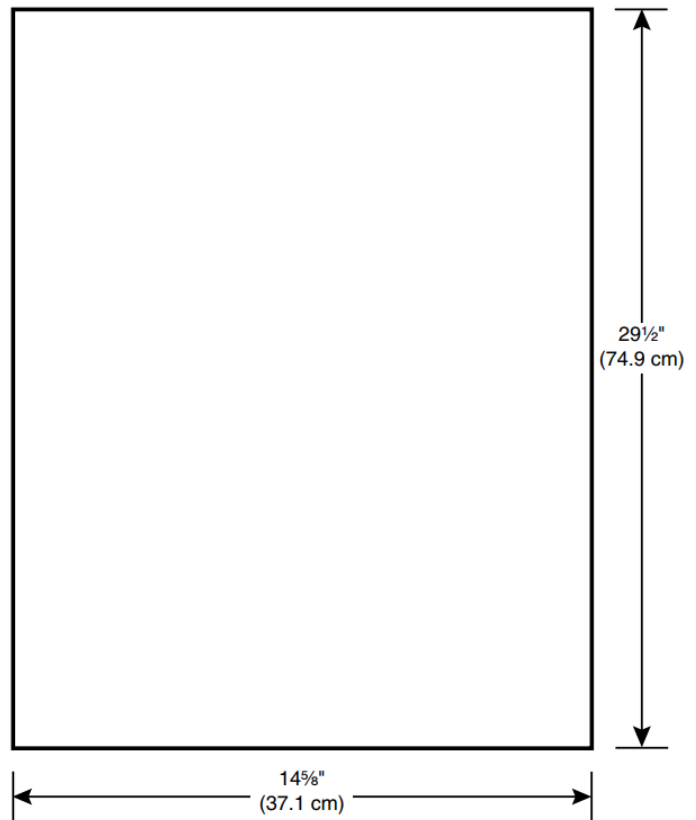
Option 1 – sans espaceur du côté charnière

Pour permettre un bon espacement de la porte, préparez le panneau décoratif personnalisé en utilisant les dimensions indiquées.

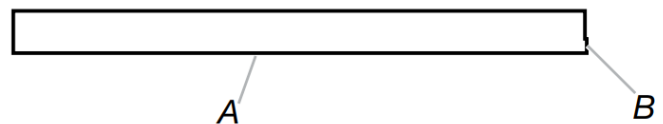


Option 2 – avec espaceur du côté charnière

Pour obtenir une installation en affleurement avec les armoires adjacentes, préparer le panneau décoratif personnalisé en utilisant les dimensions indiquées.

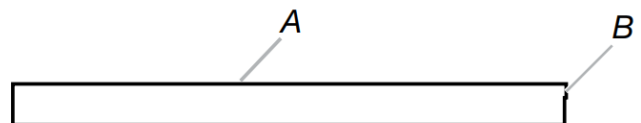


Haut du panneau



A. Avant – surface visible si installée
B. Côté de la charnière

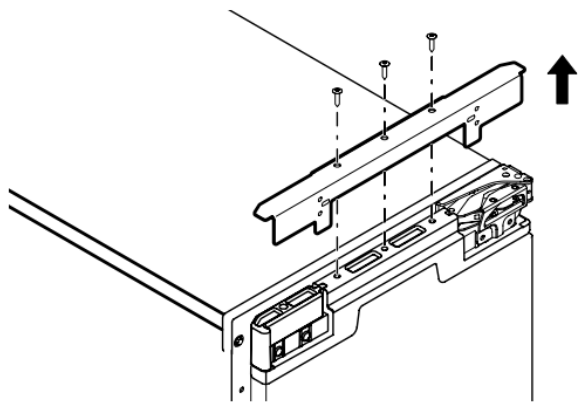
Bas du panneau



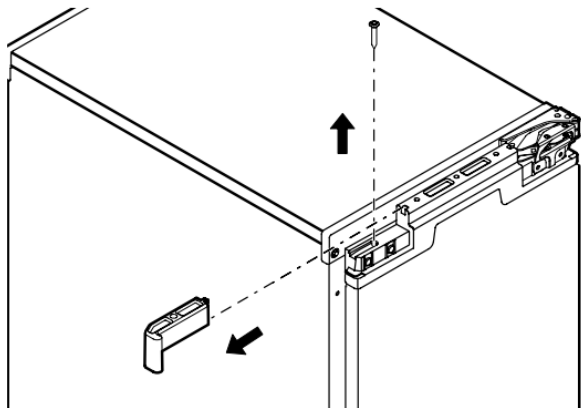
A. Avant – surface visible si installée
B. Côté de la charnière

Installation du panneau personnalisé

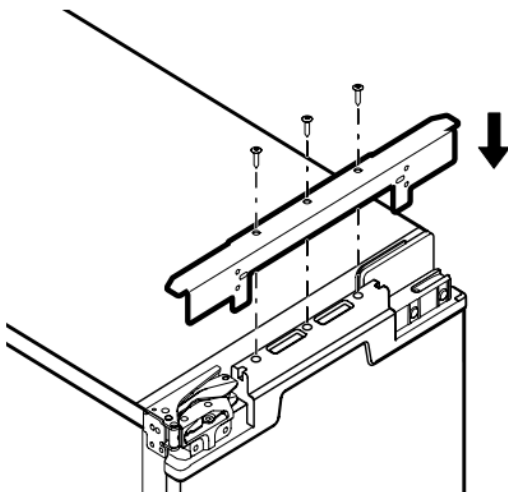
1. Retirer les vis et la bride métallique du haut en utilisant un tournevis cruciforme et les garder de côté. Passer cette étape et poursuivre avec l'étape 4 si l'inversion de la porte a été effectuée.



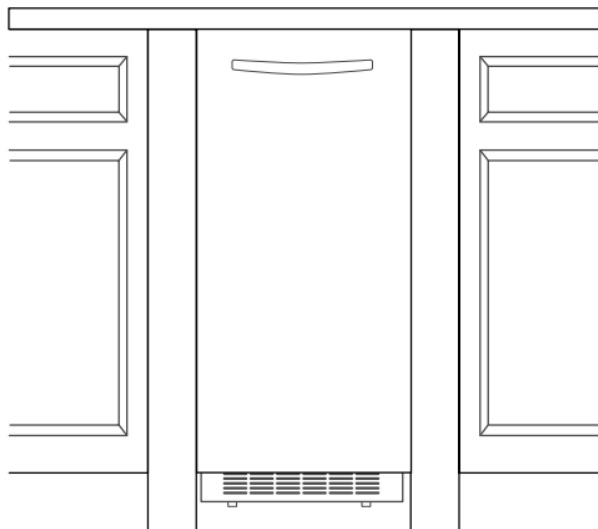
2. Retirer les capuchons supérieur et inférieur en utilisant le tournevis à tête cruciforme et les garder de côté.



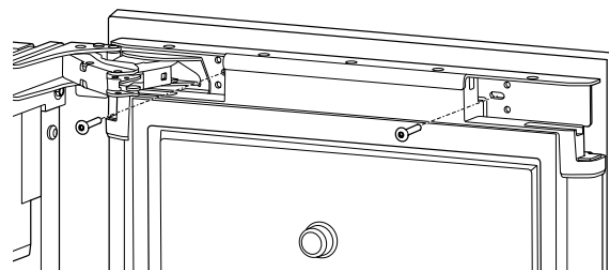
3. Replacer le support de métal du haut en utilisant les vis retirées à l'étape 1.



4. Coller le panneau personnalisé sur la porte en utilisant des morceaux d'adhésifs recto verso et en poussant doucement. Ajuster la hauteur du panneau pour l'aligner avec les armoires. Appuyer fermement le panneau contre la porte.

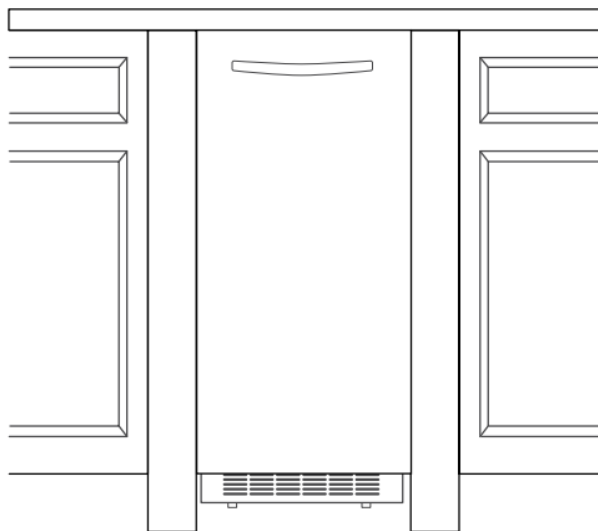


5. À partir de l'intérieur de la porte, installer les vis à bois dans les fentes du support en métal. Continuer avec l'étape 11 de la section « Mettre de niveau et sécuriser ».

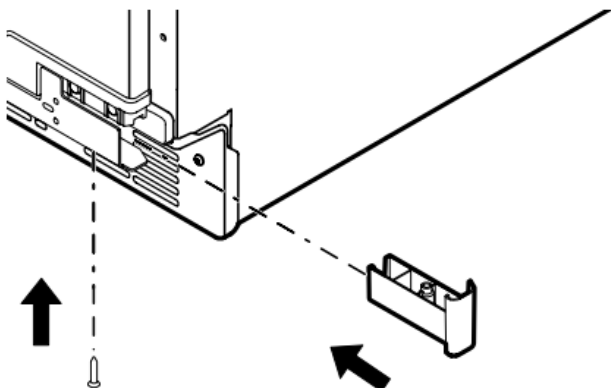


6. Effectuer l'ajustement gauche-droite du panneau pour obtenir l'espace désiré de chaque côté. Installer les vis restantes sur le panneau de porte en passant par les supports.

REMARQUE : S'assurer que le panneau est aligné avec les armoires avant d'installer les vis restantes pour fixer le panneau de porte.



7. Replacer les embouts du haut et du bas dans la porte. Fixer l'embout du bas à l'aide de la vis en passant par le trou de la bride en métal du bas.



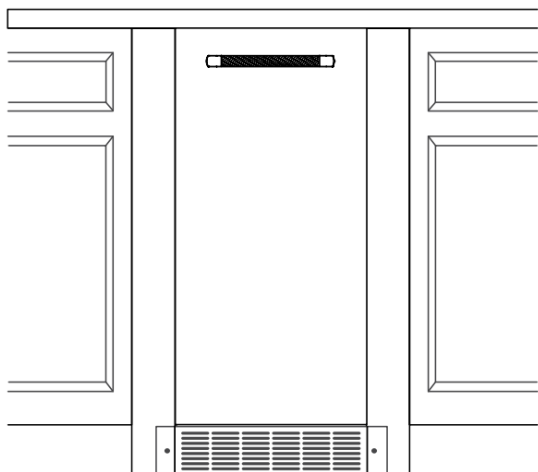
Installation de la grille auxiliaire

La grille auxiliaire incluse peut être utilisée pour aligner la grille inférieure avec le reste des armoires (sans bloquer la ventilation de la machine à glaçons).

Outils requis :

- Tournevis Torx T20
- Perceuse et foret de 1/8 po

1. D'abord, effectuer toutes les étapes pour installer et mettre de niveau la machine à glaçons dans l'armoire. S'assurer que la machine à glaçons est en affleurement avec les armoires adjacentes.
2. Déballez la trousse en enlevant le coussinet extérieur et en jetant tout le matériel d'emballage.
3. Retirer les vis collées dans la partie intérieure de la grille auxiliaire.
4. Placer la grille dans l'armoire. Aligner les parties pour que le motif de grilles de la grille auxiliaire corresponde à celui de la grille inférieure de la machine à glaçons.
5. Centre la grille auxiliaire avec la découpe de la machine à glaçons. Marquer sur les armoires les emplacements des trous de chaque côté de la grille auxiliaire.



6. À l'aide du foret de 1/8 po, percer les trous dans les armoires. Ils permettent d'utiliser des vis 8-18 x 0,750.
7. À l'aide d'un tournevis Torx T20, visser la grille auxiliaire aux armoires.

REMARQUE : Pour l'entretien futur de la machine à glaçons, la grille auxiliaire doit être enlevée de l'armoire avant l'appareil.

Liste de Vérification pour l'Installation de la Machine à Glaçons

Liste de Vérification pour l'Installation de la Machine à Glaçons

Important: Cette liste de contrôle vise à vérifier qu'aucune partie de l'installation n'a été négligée. Pour garantir une installation correcte, les instructions d'installation du Guide d'Utilisation et d'Entretien doivent être suivies. Se référer à la section assistance et service du Guide d'Utilisation et d'Entretien pour toute question ou problème.

- La machine est-elle d'aplomb?.....
- La conduite d'eau est-elle connectée à une alimentation en eau et le robinet d'alimentation en eau est-il ouvert?.....
- Le drain est-il correctement raccordé et la conduite de vidange est-elle exempte de plis?.....
- Remarque:** Si un drain par gravité n'est pas disponible, une pompe accessoire doit être utilisée. Appeler le revendeur ou le numéro du service à la clientèle situé dans votre Guide d'Utilisation et d'Entretien.
- Les raccords d'eau et de vidange ont-ils été examinés pour déceler des fuites?...
- Tous les matériaux d'emballage internes ont-ils été retirés?.....
- L'appareil est-il branché à une prise à 3 alvéoles alimentée en courant et reliée à la terre?.....
- Y a-t-il suffisamment d'espace devant le garde-pieds pour la ventilation?.....
- Le nettoyage régulier est important. Se référer aux étapes.....
- Remarque:** Le nettoyeur pour machine à glaçons peut être commandé en appelant le numéro qui se trouve dans votre Guide d'Utilisation et d'Entretien.
- La machine a-t-elle été allumée et vérifiée pour son bon fonctionnement?.....
- Remarque:** La machine fonctionne en mode chasse d'eau lors de la première mise en marche pendant environ 5 à 10 minutes. Attendez 35 minutes pour confirmer la récolte de glace.

NOTES

NOTES

NOTES

NOTES

NOTES

NOTES

