



UNDERCOUNTER REFRIGERATOR

Use and Care Guide and Installation Instruction

For questions about features, operation/performance, parts, accessories, or service, call: **1-800-422-1230**
or visit our website at... **www.kitchenAid.com**
In Canada, call: **1-800-807-6777**, or visit our website at... **www.KitchenAid.ca**

TABLE OF CONTENTS

REFRIGERATOR SAFETY	2
Proper Disposal of your Old Refrigerator	3
INSTALLATION REQUIREMENTS	3
Tools and Parts	3
Location Requirements	3
Product Dimensions	4
Custom Overlay Panel	4
Handle (Optional)	5
Electrical Requirements	5
INSTALLATION INSTRUCTIONS	5
Unpack the Refrigerator	5
Custom Overlay Panel Installation	6
Installation and Door Closing	7
USING REFRIGERATOR	7
Controls	7
Normal Sounds	8
Refrigerator Shelves	9
Door Bins	9
Lights	9
CARE AND CLEANING	9
Cleaning	9
Removing Base Grille	10
Vacation Care	10
Moving Care	10
TROUBLESHOOTING	11
ASSISTANCE	13
In the U.S.A.	13
In Canada	13
Accessories	13

REFRIGERATOR SAFETY

Your safety and the safety of others are very important.

We have provided many important safety messages in this manual and on your appliance. Always read and obey all safety messages.



This is the safety alert symbol.

This symbol alerts you to potential hazards that can kill or hurt you and others.

All safety messages will follow the safety alert symbol and either the word “DANGER” or “WARNING.”

These words mean:

! DANGER

You can be killed or seriously injured if you don't immediately follow instructions.

! WARNING

You can be killed or seriously injured if you don't follow instructions.

All safety messages will tell you what the potential hazard is, tell you how to reduce the chance of injury, and tell you what can happen if the instructions are not followed.

IMPORTANT SAFETY INSTRUCTIONS

WARNING: To reduce the risk of fire, electric shock, or injury when using your refrigerator, follow these basic precautions:

- Plug into a grounded 3 prong outlet.
- Do not remove ground prong.
- Do not use an adapter.
- Do not use an extension cord.
- Disconnect power before servicing.
- Replace all parts and panels before operating.
- Remove doors from your old refrigerator.
- Use non flammable cleaner.
- Do not store or use petrol, flammable liquids or gas in the vicinity of this or other electrical appliances. The fumes can cause fires or explosions.
- Do not store explosive substances such as aerosol cans with a flammable propellant in this refrigerator.
- Do not use or place electrical devices inside the refrigerator compartments if they are not of the type expressly authorized by the manufacturer.
- Use two or more people to move and install refrigerator.
- This appliance is not intended for use by persons (including children) with reduced physical, sensory or mental capabilities, or lack of experience and knowledge, unless they have been given supervision or instruction concerning use of the appliance by a person responsible for their safety.
- Children should be supervised to ensure that they do not play with the appliance.
- To avoid the risk of children becoming trapped and suffocating, do not allow them to play or hide inside the refrigerator.
- If the power supply cord is damaged, it must be replaced by the manufacturer or its service agent or a similarly qualified person.
- Keep ventilation openings, in the appliance enclosure or in the built-in structure, clear of obstruction.
- Do not use mechanical devices or other means to accelerate the defrosting process, other than those recommended by the manufacturer
- Do not damage the refrigerant circuit.

SAVE THESE INSTRUCTIONS

Proper Disposal of your Old Refrigerator

WARNING: Risk of child entrapment. Before You Throw Away Your Old Refrigerator or Freezer:

- Take off the door.
- Leave the shelves in place so that children may not easily climb inside.

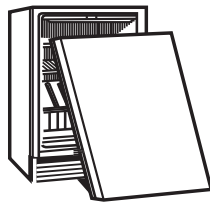
⚠ WARNING

Suffocation Hazard

Remove doors or lid from your old appliance.

Failure to do so can result in death or brain damage.

IMPORTANT: Child entrapment and suffocation are not problems of the past. Junked or abandoned refrigerators are still dangerous—even if they will sit for “just a few days.” If you are getting rid of your old refrigerator, please follow these instructions to help prevent accidents.



Important information to know about disposal of refrigerants:

Dispose of refrigerator in accordance with Federal and Local regulations. Refrigerants must be evacuated by a licensed, EPA certified refrigerant technician in accordance with established procedures.

INSTALLATION REQUIREMENTS

Tools and Parts

Gather the required tools and parts before starting installation.

Tools and parts needed:

- Phillips screwdriver.
- Custom Overlay Door Panel - Refer “Custom Overlay Panel Preparation”.
- Custom handle and mounting hardware (optional).

Parts supplied:

- M4 x 30 flathead screws (8).

Location Requirements

⚠ WARNING

Explosion Hazard

Keep flammable materials and vapors, such as gasoline, away from refrigerator.

Failure to do so can result in death, explosion, or fire.

IMPORTANT: This appliances is intended to be used in household and similar applications such as:

- Staff kitchen areas in shops, office and other working environments;
- Farm houses and by clients in hotels, motels and other residential type environments;
- Bed and breakfast type environments;
- Catering and similar non-retail applications.

NOTES:

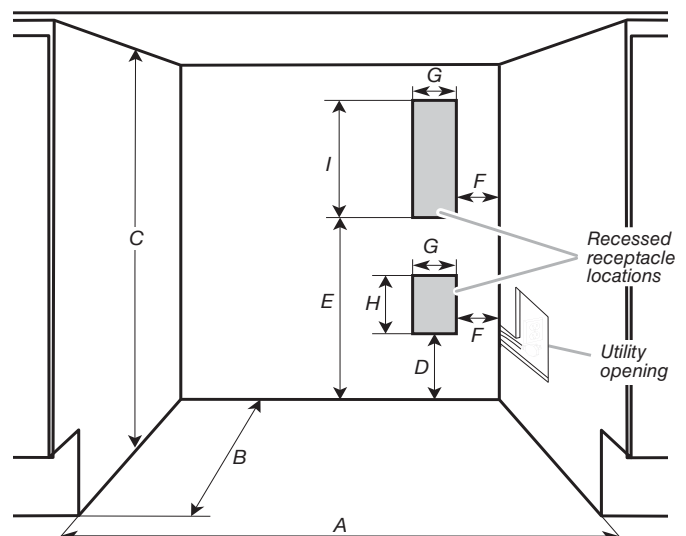
- For the refrigerator to be flush with the front of the base cabinets, remove any baseboards or moldings from the rear of the opening. Refer “Product Dimensions” and later in this section, “Opening Dimensions.”
- It is recommended that you do not install the refrigerator near an oven, radiator, or other heat source.
- Do not install in a location where the temperature will fall below 55 °F (13 °C). For best performance, do not install the refrigerator behind a cabinet door or block the base grille.

Opening Dimensions:

- Height dimensions are shown with the leveling legs extended to the minimum height.

NOTE: When leveling legs are fully extended, add 5/8” (15 mm) to the height dimensions. Refer “Product Dimensions.”

- If the floor of the opening is not level with the kitchen floor, shim the opening to make it level with the kitchen floor.



Opening and utility location dimensions	
Opening width - A	24" (60.96 cm) min.
Opening depth - B	24" (60.96 cm) min.
Opening height - C	34 ¹ / ₂ " (87.6 cm) min. 35" (88.9 cm) max.
Dimension - D	12 ¹ / ₁₆ " (30.64 cm)
Dimension - E	21 ³ / ₄ " (55.16 cm)
Dimension - F	1 ³ / ₄ " (4.44 cm)
Dimension - G	3" (7.55 cm)
Dimension - H	4 ¹ / ₂ " (11.37 cm)
Dimension - I	9 ¹ / ₄ " (23.47 cm)

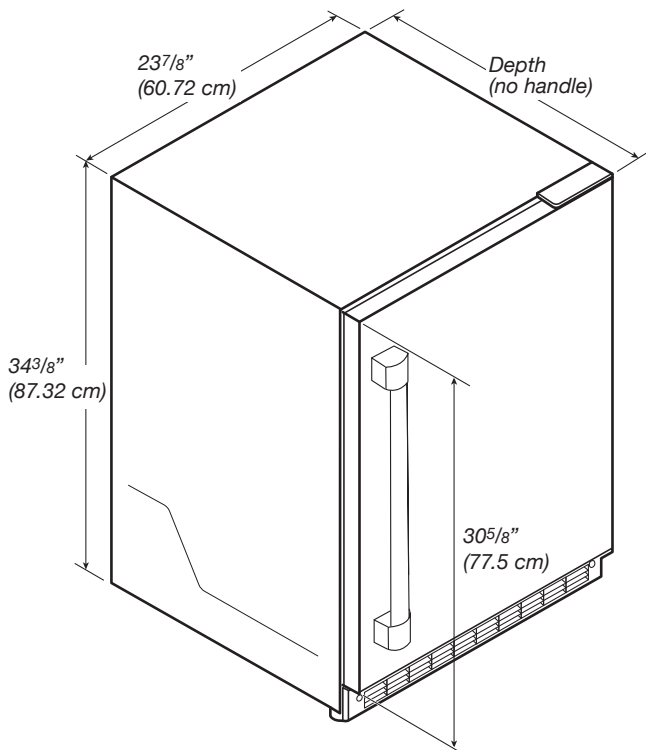
For flush installation, the power outlet can be installed in adjacent cabinetry with a cutout on the power cord side for routing of the power cord.

The power outlet can also be recessed on the back wall behind the unit as per recommended receptacle locations in the above illustration.

Product Dimensions

Overall product	
Width (up to hinge cover)	23 ⁷ / ₈ " (60.72 cm)
Height (up to hinge cover)	34 ³ / ₈ " (87.32 cm)
Panel ready models depth (with 3/4" panel and no handle)	23 ¹³ / ₁₆ " (60.5 cm)
Raw Door Height	30 ⁵ / ₈ " (77.75 cm)
Depth (no handle)	23 ⁵ / ₈ " (60.01 cm)

NOTE: The power cord is 60" (152.4 cm) long.



Custom Overlay Panel

NOTE: For standard stainless steel or glass door models, skip these instructions and go to "Electrical Requirements" section.

If you plan to install a custom overlay panel, you will need to create the panel yourself or consult a qualified cabinetmaker or carpenter. Refer dimension drawings for panel specifications.

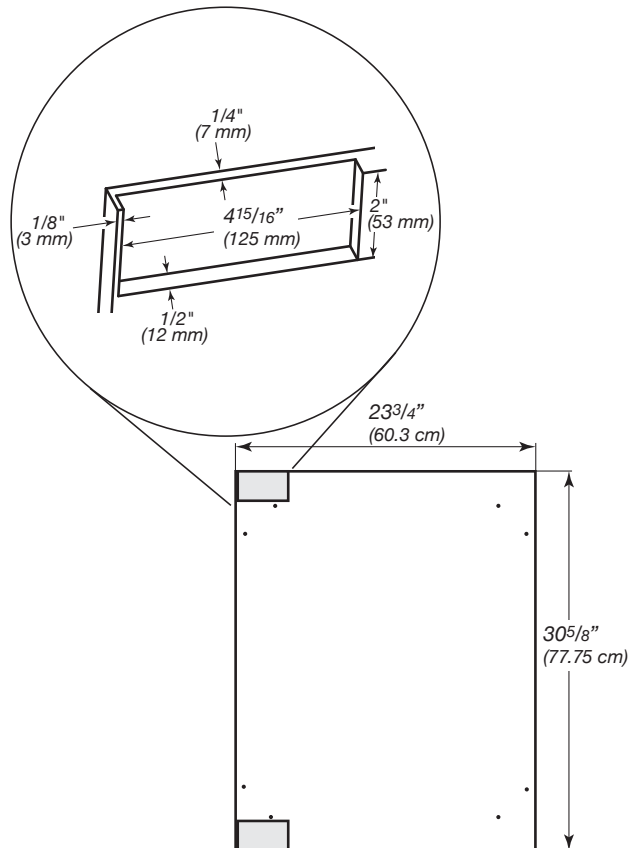
IMPORTANT:

- The thickness of the overlay panel must be 3/4" (19 mm).
- Custom solid door overlay panel must not weigh more than 20 lb (9.07 kg).
- Custom glass door overlay panel must not weigh more than 10 lb (4.54 kg).
- Overlay panels weighing more than recommended may cause damage to your appliance.

Solid door overlay panel - Preparation:

Create the custom overlay panel using the dimensions shown in the illustration "Solid door overlay panel and hinge routing dimensions". Rout shaded areas to a 1/2" (12 mm) depth as shown.

IMPORTANT: The following graphic shows a custom panel for a door with the hinges installed on the right-hand side. If your refrigerator has the hinges installed on the left-hand side, rotate the custom frame 180° so the hinge markings will be on the left.

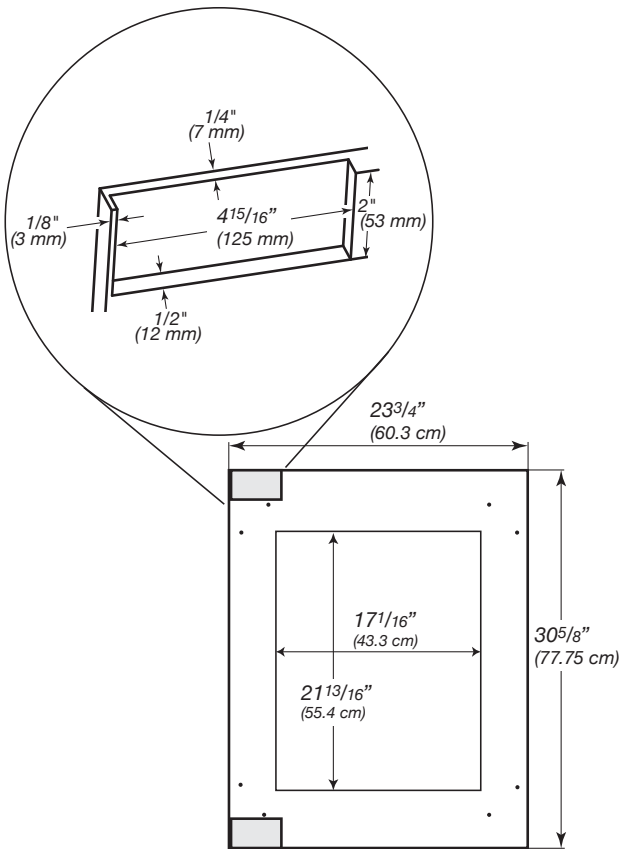


Solid door overlay panel and hinge routing dimensions

Glass door overlay panel - Preparation:

Create the custom overlay panel using the dimensions shown in the illustration "Glass door overlay panel and hinge routing dimensions". Rout shaded areas to a 1/2" (12 mm) depth as shown.

IMPORTANT: The following graphic shows a custom panel for a door with the hinges installed on the right-hand side. If your refrigerator has the hinges installed on the left-hand side, rotate the custom frame 180° so the hinge markings will be on the left.



Glass door overlay panel and hinge routing dimensions

Handle (optional)

Custom handles are typically attached to the custom overlay door panel only.

Refer instructions received with KitchenAid handle kits to install these handles on custom wood panels.

Custom handle needs to be installed on the door panel with countersunk holes and installed before the custom overlay door panel has been installed on the refrigerator door.

Electrical Requirements

⚠ WARNING



Electrical Shock Hazard

Plug into a grounded 3 prong outlet.

Do not remove ground prong.

Do not use an adapter.

Do not use an extension cord.

Failure to follow these instructions can result in death, fire, or electrical shock.

Before you move your refrigerator into its final location, it is important to make sure you have the proper electrical connection.

Recommended grounding method:

A 115 V, 60 Hz, AC only, 15 A or 20 A fused, grounded electrical supply is required. It is recommended that a separate circuit serving only your refrigerator be provided. Use an outlet that cannot be turned off by a switch. Do not use an extension cord.

NOTE: Before performing any type of installation, cleaning, or removing a light bulb, unplug refrigerator or disconnect power.

INSTALLATION INSTRUCTIONS

Unpack the Refrigerator

⚠ WARNING

Excessive Weight Hazard

Use two or more people to move and install or uninstall appliance.

Failure to do so can result in back or other injury.

Before using your refrigerator, all packaging materials should be removed and the interior should be cleaned.

- Remove tape and glue residue from surfaces before turning on the refrigerator. With your fingers, rub a small amount of liquid dish soap over any adhesive and wipe with warm water to remove.
- Do not use sharp instruments, rubbing alcohol, flammable fluids, or abrasive cleaners to remove tape or glue. These can damage the surfaces of your refrigerator. For more information, refer "Refrigerator Safety" section.

- Dispose of and/or recycle all packaging materials.
- After all packaging materials have been removed, clean the inside of your refrigerator. Refer the cleaning instructions in "Cleaning" section.

Important information to know about glass shelves and covers:

Do not clean glass shelves or covers with warm water when they are cold. Shelves and covers may break if exposed to sudden temperature changes or impact, such as bumping. Tempered glass is designed to shatter into many small, pebble-size pieces. This is normal. Glass shelves and covers are heavy. Use both hands when removing them to avoid dropping.

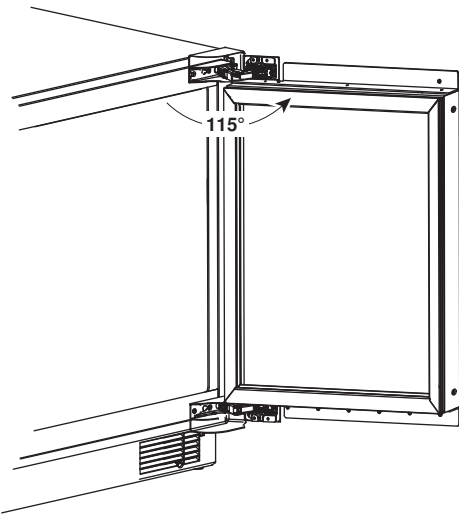
NOTE: For standard stainless steel or glass door models, skip to "Door Closing" section.

Custom Overlay Panel Installation

IMPORTANT:

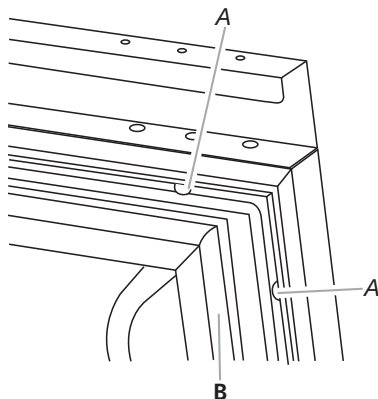
- Create custom overlay panel according to the specifications in the "Custom Overlay Panel" section.
- KitchenAid is not responsible for the removal or addition of molding or decorative panels that would not allow access to the refrigerator for service.

1. Open the door completely to 115°.



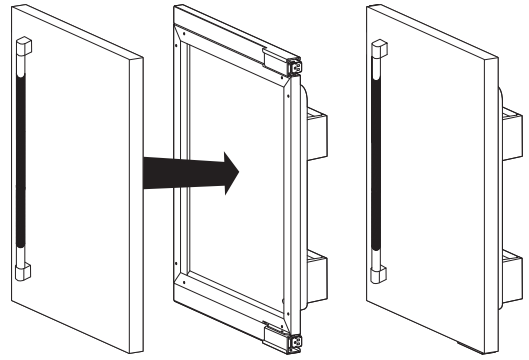
2. Remove the gasket from the corners of the door, pulling gently until the two screw holes in each corner of the door can be seen.

NOTE: The gasket does not have to be removed from the door, only the corners.



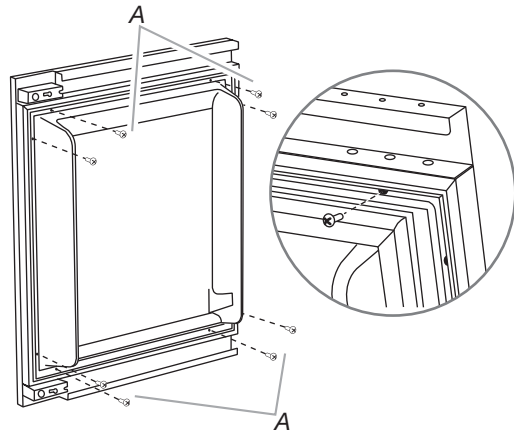
A. Screw holes
B. Gasket

3. Using two people, hold the custom overlay panel against the door. Be sure that the top and bottom hinges fit accurately into the routing on back of the custom wood panel.



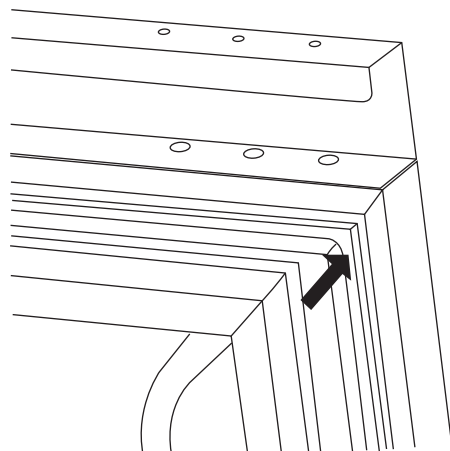
NOTE: Handle needs to be installed before the custom overlay door panel has been installed on the refrigerator door.

4. Fasten the custom panel to the door using two wood screws (provided in installation kit) at each corner.



A. M4 x 30 flathead screws (provided in installation kit)

5. Press the gasket firmly back into its original position.



Installation and Door Closing

Your refrigerator has four leveling legs. If your refrigerator seems unsteady or you want the door to close more easily, adjust the refrigerator's tilt using the instructions below.

⚠️ WARNING



Electrical Shock Hazard

Plug into a grounded 3 prong outlet.

Do not remove ground prong.

Do not use an adapter.

Do not use an extension cord.

Failure to follow these instructions can result in death, fire, or electrical shock.

1. Plug into a grounded 3 prong outlet.

⚠️ WARNING

Excessive Weight Hazard

Use two or more people to move and install or uninstall appliance.

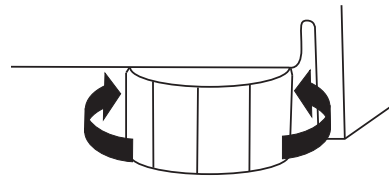
Failure to do so can result in back or other injury.

When moving your Refrigerator:

Your refrigerator is heavy. When moving the refrigerator for cleaning or service, be sure to cover the door with cardboard or hardboard to avoid door damage. Always pull the refrigerator straight out when moving it. Do not wiggle or "walk" the refrigerator when trying to move it, as door damage could occur.

2. Move the refrigerator into its final location.
3. Turn the leveling legs to the right to lower the refrigerator, or turn the leveling legs to the left to raise it. It may take several turns of the leveling legs to adjust the tilt of the refrigerator.

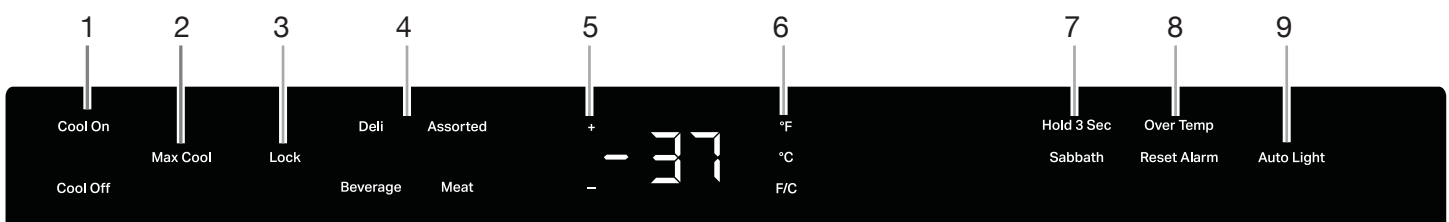
NOTE: Having someone push against the top of the refrigerator takes some weight off the leveling legs. This makes it easier to adjust the leveling legs.



4. Open the door and check that it closes as easily as you like. If not, tilt the refrigerator slightly more to the rear by turning both front leveling screws to the right. It may take several more turns, and you should turn both leveling legs the same amount.

USING REFRIGERATOR

Controls



NOTES:

- The control panel is located at the top of the compartment and facing front.
- The control of the refrigerator has no mechanical parts or buttons. When disconnected, the control panel displays nothing and may be difficult to locate.

1. Turning Control On/Off

The first time that the refrigerator is plugged in, the control will be in Cool Off mode. Cool On and Cool Off will be the only options that display.

Cool On
Cool Off

Press Cool On for 3 seconds to turn on the refrigerator. All menus and recommended temperature settings will be displayed.

2. Max Cool

Decrease internal temperatures to their lowest point for 24 hours.

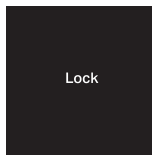
- Press Max Cool to turn on the feature. The feature will activate.
- Press Max Cool to turn off the feature and return to the previous settings.

Max Cool

3. Control Lock

Avoids unintended temperature changes and makes it easy to clean the controls.

To activate Lock Mode, press and hold LOCK for 3 seconds. After the countdown, all other displays will turn off and become unavailable except Cool On, Cool Off and Lock.



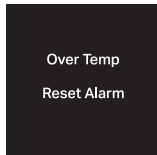
- Press and hold SABBATH for 3 seconds to turn off the feature and turn on the display.

8. Over Temp Alarm

Helps avoid food from spoiling by giving an audible and visual alert if the temperature rises above the preset range for 4 hours.

The audio alarm will shut off automatically when the temperature returns to normal. To let you know an Over Temperature condition occurred, the indicator light will continue to flash until the Reset Alarm touch pad is pressed. If the over temperature condition is still present when an Over Temp reset is performed, the indicator light will continue to reactivate every 4 hours until the refrigerator temperature is below preset range.

NOTE: These features will not appear on your control unless your refrigerator is above preset range and the alarm requires a reset.



4. Using Presets



For your convenience, your refrigerator also has controls that are preset to recommended storage temperatures for specific products. Pressing any preset option will set the temperature value to recommended temperature for each category:

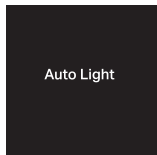
Deli: 39 °F (3 °C)
Assorted: 37 °F (2 °C)
Beverage: 34 °F (1 °C)
Meat: 32 °F (0 °C)

9. Auto Light (Glass Door Models)

The refrigerator has a sensor that will turn on the interior display light automatically when someone walks by. When motion is no longer detected, the interior display light will go off after 2 minutes.

- Press the Auto Light option to activate this feature.
- When the Auto Light is not activated, the interior display light will only turn on when the door is opened.

NOTE: Leaving the light on for an extended period of time will slightly increase the temperature of the refrigerator.



5. Adjusting the Temperatures

To adjust set point temperatures, press "+" (plus) or "-" (minus) until the desired temperature setting is reached. The control is set correctly when milk and beverages are as cold as you like it.

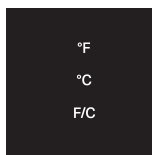


NOTES:

- The default recommended temperature for the refrigerator is 37 °F (2 °C). The set point range for this model is 32 °F to 42 °F (0 °C to 5 °C).
- Wait at least 24 hours between adjustments so the refrigerator can acclimate.

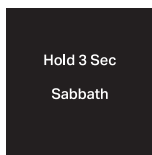
6. Viewing Celsius/Fahrenheit Temperatures

Press the F/C touch pad to toggle between displaying the temperature in degrees Fahrenheit and degrees Celsius. The corresponding indicator will illuminate.



7. Sabbath Mode

Allows the door of the refrigerator to be opened or closed on the Sabbath or other religious holidays without directly turning on or off any lights, digital readouts, fans, valves, tones or alarms. By selecting this feature, the temperature set points remain unchanged, but the control panel lights, interior lights, and control audio turn off. For most efficient refrigerator operation, it is recommended to exit the Sabbath Mode when it is no longer required.



- Press and hold SABBATH for 3 seconds to turn on the feature. After the 3-second countdown, the feature will activate and all other displays will turn Off.

10. Door Open Alarm

Helps avoid food from spoiling by giving an audio and visual alert if the door is left open for 5 minutes.

If the door is open longer than 5 minutes, an alarm will sound every 2 minutes until the door is closed or any control is pressed.

11. Showroom Mode

This mode is used only when the refrigerator is on display in a retail store. To activate Showroom Mode, press and hold both Cool On and Sabbath for 3 seconds. If you unintentionally turn on Showroom Mode, Cool Off will light up on the display, and the controls will appear to work. Exit Showroom Mode by pressing and holding COOL ON and SABBATH at the same time for 3 seconds.

Normal Sounds

Your new refrigerator may make sounds that your old one didn't make. Because the sounds are new to you, you might be concerned about them. Most of the new sounds are normal. Hard surfaces, such as the flooring and surrounding structures, can make the sounds seem louder. The following describes the kinds of sounds and what may be making them.

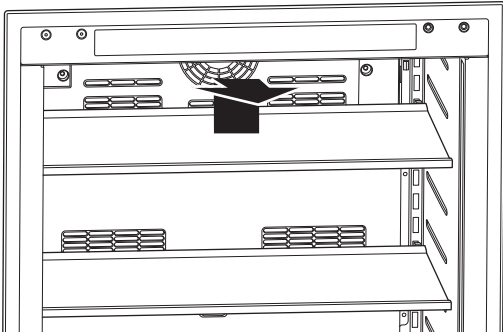
- Your refrigerator is designed to run more efficiently to keep your food at the desired temperatures and to minimize energy usage. The high efficiency compressor and fans may cause your refrigerator to run longer than your old one. You may also hear a pulsating or high-pitched sound from the compressor or fans adjusting to optimize performance.

- Rattling noises may come from the flow of refrigerant or items stored inside the refrigerator.
- As each cycle ends, you may hear a gurgling sound due to the refrigerant flowing in your refrigerator.
- You may hear water running into the drain pan when the refrigerator is defrosting.
- You may hear clicking sounds when the refrigerator starts or stops running.

Refrigerator Shelves

To remove or adjust upper shelves:

1. Remove the shelf by lifting it up and out of the shelf brackets.

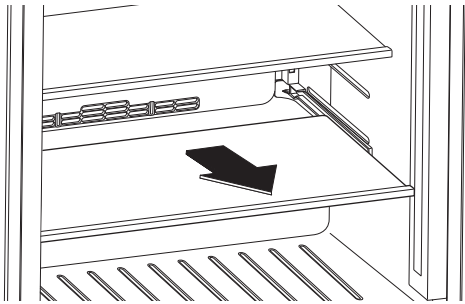


2. Replace the shelf by inserting it into the shelf brackets.

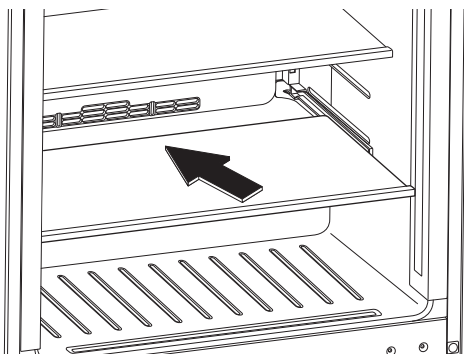
NOTE: Be sure the shelf is leveled.

To remove and replace bottom shelf:

1. The very bottom glass shelf slides straight out.



2. Replace the shelf by aligning the edges with the guides and pushing it in toward the back of the refrigerator.

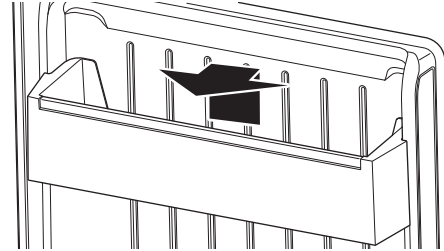


Door Bins (Solid Door Models)

Your refrigerator has two door bin locations for maximum storage capacity.

To remove and replace the door bins:

1. Remove the door bin by tilting it forward and pulling it out.
2. Replace the bin by placing the rear of the bin under the support on the door and sliding into place.



Lights

The refrigerator has an interior light that illuminates when the door is opened.

NOTE: The light is an LED which does not need to be replaced. If the LED does not illuminate when the door is opened, call Service. Refer "Assistance" section for contact information.

CARE AND CLEANING

Cleaning

⚠ WARNING



Explosion Hazard

Risk of fire or explosion.

Flammable refrigerant used.

Do not use mechanical devices to defrost refrigerator.

Do not puncture refrigerant tubing.

Clean the refrigerator once a month to avoid buildup of odors. Wipe up spills immediately.

To clean your refrigerator:

1. Unplug refrigerator or disconnect power.
2. Remove all shelves and bins from inside the refrigerator.

3. Hand wash, rinse, and dry removable parts and interior surfaces thoroughly. Use a clean sponge or soft cloth and a mild detergent in warm water.

- To avoid damaging wooden tines and trim pieces, wipe them off with a clean sponge or soft cloth and warm water. Do not use detergent or immerse the entire rack into water when cleaning.
- Do not use abrasive or harsh cleaners such as window sprays, scouring cleansers, flammable fluids, cleaning waxes, concentrated detergents, bleaches or cleansers containing petroleum products on plastic parts, interior and door liners or gaskets. Do not use paper towels, scouring pads, or other harsh cleaning tools. These can scratch or damage materials.
- To help remove odors, you can wash interior walls with a mixture of warm water and baking soda (2 tbs to 1 qt [26 g to 0.95 L] of water).

4. Wash stainless steel and painted metal exteriors with a clean sponge or soft cloth and a mild detergent in warm water. Do not use abrasive or harsh cleaners, or cleaners containing chlorine. These can scratch or damage materials. Dry immediately with a soft, dry cloth to absorb any remaining water.


NOTE: To keep your stainless steel refrigerator looking like new and to remove minor scuffs or marks, it is recommended that you use the manufacturer's approved Stainless Steel Cleaner and Polish.

IMPORTANT:

- This cleaner is for stainless steel parts only!
- Do not allow the Stainless Steel Cleaner and Polish to come into contact with any plastic parts such as the trim pieces, dispenser covers or door gaskets. If unintentional contact does occur, clean plastic part with a sponge and mild detergent in warm water. Dry immediately with a soft, dry cloth to absorb any remaining water.

5. Replace the shelves and bins.

Condenser cleaning

⚠ WARNING

Explosion Hazard
Risk of fire or explosion due to puncture of refrigerant tubing.
Follow handling instructions carefully.
Flammable refrigerant used.

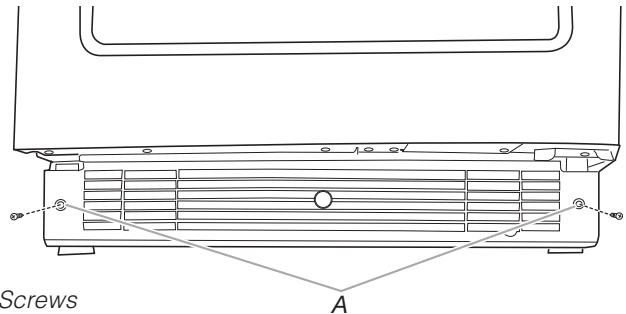
1. Remove the base grille to access condenser for cleaning. Refer "Removing Base Grille" section.
2. Clean the condenser coils regularly. They are located behind the base grille. Coils may need to be cleaned as often as every other month. This may help save energy.

Removing Base Grille

You must remove the base grille to access the condenser coils for cleaning.

To remove the base grille:

1. Open the refrigerator door.



A. Screws

2. Using a Phillips screwdriver, remove the two screws.
3. Remove the base grille.

To replace the base grille:

1. Open the refrigerator door.
2. Position the base grille so that both tabs align and the base grille snaps into place. Replace two screws. Tighten the screws.

Vacation Care

If you choose to turn the refrigerator off before you leave, follow these steps.

1. Remove all food from the refrigerator.
2. Unplug the refrigerator.
3. Clean the refrigerator. Refer "Cleaning" section.
4. Tape a rubber or wood block to the top of the door to prop it open far enough for air to get in. This stops odor and mold from building up.

Moving Care


When you are moving your refrigerator to a new home, follow these steps to prepare it for the move.

1. Remove all food from the refrigerator.
2. Unplug the refrigerator.
3. Clean, wipe, and dry it thoroughly.
4. Take out all removable parts, wrap them well, and tape them together so they don't shift and rattle during the move.
5. Tape the doors shut and tape the power cord to the refrigerator.

When you get to your new home, put everything back and refer to the "Installation Instructions" section.

TROUBLESHOOTING

Try the solutions suggested here first in order to avoid the cost of an unnecessary service call.

⚠ WARNING

Electrical Shock Hazard
Plug into a grounded 3 prong outlet.
Do not remove ground prong.
Do not use an adapter.
Do not use an extension cord.
Failure to follow these instructions can result in death, fire, or electrical shock.

GENERAL OPERATION

Possible Causes and/or Recommended Solutions

Refrigerator will not operate

- **Power supply cord unplugged?** Plug into a grounded 3 prong outlet.
- **Is outlet working?** Plug in a lamp to see if the outlet is working.
- **Household fuse blown, or a circuit breaker tripped?** Replace the fuse or reset the circuit. If the problem continues, call an electrician.
- **Are controls on?** Be sure that the refrigerator controls are on. Refer “Controls” section.

The motor seems to run too much

- **Is the temperature outside hotter than normal?** Expect the motor to run longer under warm conditions. At normal temperatures, expect your motor to run about 40 % to 80 % of the time. Under warmer conditions, expect it to run even more of the time.
- **Has a large amount of food just been added to the refrigerator?** Adding a large amount of food warms the refrigerator. It is normal for the motor to run longer in order to cool the refrigerator back down.
- **Is the door opened often?** Expect the motor to run longer when this occurs. In order to conserve energy, try to get everything you need out of the refrigerator at once, keep food organized so it is easy to find, and close the door as soon as the food is removed.
- **Is the control set correctly for the surrounding conditions?** Refer “Controls” section.
- **Is the door closed completely?** Push the door firmly shut. If it will not shut all the way, refer “The door will not close completely” later in this section.
- **Are the condenser coils dirty?** This obstructs air transfer and makes the motor work harder. Clean the condenser coils. Refer “Cleaning” section.

TEMPERATURE AND MOISTURE**Possible Causes and/or Recommended Solutions**

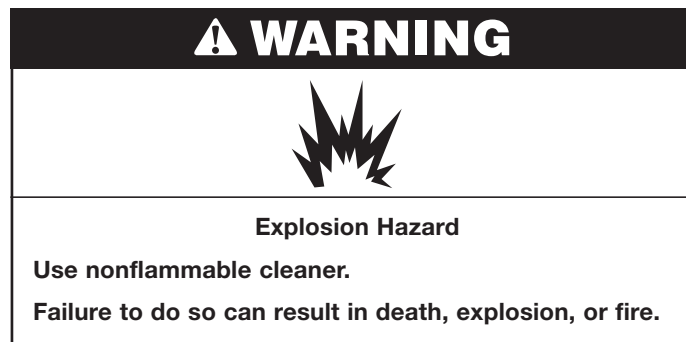
Temperature is too warm

- **Is the door opened often?** Be aware that the refrigerator will warm up when this occurs. In order to keep the refrigerator cool, try to get everything you need out of the refrigerator at once, keep food organized so it is easy to find, and close the door as soon as the food is removed.
- **Has a large amount of food just been added to the refrigerator?** Adding a large amount of food warms the refrigerator. It can take several hours for the refrigerator to return to the normal temperature.
- **Is the control set correctly for the surrounding conditions?** Refer “Using the Controls.”
- **Is the base grille blocked?** For best performance, do not install the refrigerator behind a cabinet door or block the base grille.

There is interior moisture buildup

- **Is the door opened often?** To avoid humidity buildup, try to get everything you need out of the refrigerator at once, keep food organized so it is easy to find, and close the door as soon as the food is removed. When the door is opened, humidity from the room air enters the refrigerator. The more often the door is opened, the faster humidity builds up, especially when the room itself is very humid.
- **Is it humid?** It is normal for moisture to build up inside the refrigerator when the air is humid.
- **Is the food packaged correctly?** Check that all food is securely wrapped. Wipe off damp food containers before placing in the refrigerator.
- **Is the control set correctly for the surrounding conditions?** Refer “Controls” section.

DOOR**Possible Causes and/or Recommended Solutions**

**The door is difficult to open**

- **Is the gasket dirty or sticky?** Clean the gasket and the surface that it touches. Rub a thin coat of paraffin wax on the gasket following cleaning.

The door will not close completely

- **Are food packages blocking the door open?** Rearrange containers so that they fit more tightly and take up less space.
- **Are the shelves out of position?** Put the shelves back into their correct positions. Refer “Refrigerator Use” for more information.
- **Is the gasket sticking?** Clean the gasket and the surface that it touches. Rub a thin coat of paraffin wax on the gasket following cleaning.

ASSISTANCE

If you need service:

Before calling for assistance or service, please check "Troubleshooting." It may save you the cost of a service call. If you still need help, follow the instructions below.

When calling, please know the purchase date and the complete model and serial number of your appliance. This information will help us to better respond to your request. Please refer to the warranty page in this manual for more information on service.

If you need replacement parts:

Component parts should be replaced with like components and servicing should be done by factory authorized service personnel, so as to minimize the risk of possible ignition due to incorrect parts or improper service.

In the U.S.A.

Call the KitchenAid Customer eXperience Center toll free: **1-800-422-1230**.

Our Consultants Provide Assistance With:

- Features and specifications on our full line of appliances.
- Installation information.
- Use and maintenance procedures.
- Accessory and repair parts sales.
- Specialized customer assistance (Spanish speaking, hearing impaired, limited vision, etc.).
- Referrals to local dealers, repair parts distributors, and service companies. KitchenAid designated service technicians are trained to fulfill the product warranty and provide after-warranty service, anywhere in the United States.

To locate the KitchenAid designated service company in your area, you can also look in your telephone directory Yellow Pages.

For Further Assistance

If you need further assistance, you can write to KitchenAid with any questions or concerns at:

KitchenAid Brand Home Appliances
Customer eXperience Center
553 Benson Road
Benton Harbor, MI 49022-2692

Please include a daytime phone number in your correspondence.

In Canada

Call the KitchenAid Canada Customer eXperience Centre toll free: **1-800-807-6777**.

Our Consultants Provide Assistance With:

- Features and specifications on our full line of appliances.
- Use and maintenance procedures.
- Accessory and repair parts sales.
- Referrals to local dealers, repair parts distributors, and services companies. KitchenAid Canada designated service technicians are trained to fulfill the product warranty and provide after-warranty service, anywhere in Canada.

For Further Assistance

If you need further assistance, you can write to KitchenAid Canada with any questions or concerns at:

KitchenAid Canada
Customer eXperience Centre
200 – 6750 Century Ave.
Mississauga, Ontario L5N 0B7

Please include a daytime phone number in your correspondence.

Accessories

The following accessories are available for your wine cellar. To order an accessory, contact us and ask for the Part Number.

In the U.S.A., visit our webpage **www.kitchenaid.com/accessories** or call **1-800-442-9991**.

In Canada, visit our webpage **www.whirlpoolparts.ca** or call **1-800-807-6777**.

Stainless Steel Cleaner and Polish

Order Part #4396095

RÉFRIGÉRATEUR SOUS COMPTOIR

Guide d'Utilisation et d'Entretien et Instructions d'Installation

Pour des questions sur les fonctionnalités, fonctionnement/performance, pièces, accessoires ou service, appelez le: **1-800-422-1230** ou visitez notre site Web à ... **www.kitchenAid.com**

Au Canada, pour assistance, installation ou service, composez le **1-800-807-6777** ou visitez notre site web à... **www.KitchenAid.ca**

TABLE DES MATIÈRES

SÉCURITÉ DU RÉFRIGÉRATEUR.....	15
Mise au Rebut du Vieux Réfrigérateur	16
EXIGENCES D'INSTALLATION	16
Outils et Pièces	16
Exigences d'Emplacement	16
Dimensions du Produit.....	17
Panneau Décoratif Personnalisé.....	17
Poignées (Facultatif)	18
Spécifications Électriques.....	18
INSTRUCTIONS D'INSTALLATION	18
Déballage du Réfrigérateur	18
Installation du Panneau Personnalisé	19
Installation et Fermeture de la Porte	20
UTILISATION DU RÉFRIGÉRATEUR.....	20
Commandes	20
Sons Normaux	21
Tablettes du Réfrigérateur	22
Balconnets de Porte (modèles avec porte pleine).....	22
Lampes.....	22
ENTRETIEN ET NETTOYAGE	22
Nettoyage	22
Enlever la Grille de la Base.....	23
Entretien Avant les Vacances.....	23
Précautions à Prendre Avant un Déménagement	23
DÉPANNAGE.....	24
ASSISTANCE	26
Aux États-Unis	26
Au Canada.....	26
Accessoires	26

SÉCURITÉ DU RÉFRIGÉRATEUR

Votre sécurité et celle des autres est très importante.

Nous donnons de nombreux messages de sécurité importants dans ce manuel et sur votre appareil ménager. Assurez-vous de toujours lire tous les messages de sécurité et de vous y conformer.



Voici le symbole d'alerte de sécurité.

Ce symbole d'alerte de sécurité vous signale les dangers potentiels de décès et de blessures graves à vous et à d'autres. Tous les messages de sécurité suivront le symbole d'alerte de sécurité et le mot "DANGER" ou "AVERTISSEMENT". Ces mots signifient:

DANGER

Risque possible de décès ou de blessure grave si vous ne suivez pas immédiatement les instructions.

AVERTISSEMENT

Risque possible de décès ou de blessure grave si vous ne suivez pas les instructions.

Tous les messages de sécurité vous diront quel est le danger potentiel et vous disent comment réduire le risque de blessure et ce qui peut se produire en cas de non-respect des instructions.

IMPORTANTES INSTRUCTIONS DE SÉCURITÉ

AVERTISSEMENT: Pour réduire les risques d'incendie, de décharge électrique ou de blessures lors de l'utilisation du réfrigérateur, prendre quelques précautions fondamentales, y compris les suivantes:

- Brancher sur une prise de courant à 3 alvéoles, reliée à la terre.
- Ne pas enlever la prise de liaison à la terre.
- Ne pas utiliser d'adaptateur.
- Ne pas utiliser de rallonge.
- Déconnecter la source de courant électrique avant l'entretien.
- Replacer pièces et panneaux avant de faire la mise en marche.
- Enlever les portes de votre ancien réfrigérateur.
- Utiliser un produit de nettoyage ininflammable.
- Ne pas utiliser ou conserver d'essence ni de liquides ou gaz inflammables à proximité de cet ou d'autres appareils électriques. Les fumées peuvent causer des incendies ou des explosions.
- Ne pas conserver de substances explosives, par exemple des bombes aérosols contenant un agent propulseur, dans ce réfrigérateur.
- Ne pas utiliser ni placer dans les compartiments du réfrigérateur des dispositifs électriques d'un type autre que celui expressément autorisé par le fabricant.
- Utiliser deux personnes ou plus pour déplacer et installer le réfrigérateur.
- Cet appareil ne convient pas à une utilisation par des personnes (y compris des enfants) à capacités physiques, sensorielles ou mentales réduites, ou possédant un manque d'expérience et de connaissances, à moins qu'elles ne soient placées sous supervision ou qu'elles aient reçu des instructions concernant l'utilisation de l'appareil par une personne responsable de leur sécurité.
- Les enfants doivent être placés sous surveillance afin de s'assurer qu'ils ne jouent pas avec l'appareil.
- Pour éviter le risque que des enfants restent enfermés à l'intérieur et s'asphyxient, ne pas les laisser jouer ou se cacher dans le réfrigérateur.
- Si le cordon d'alimentation est endommagé, il doit être remplacé par le fabricant ou son technicien d'entretien ou une personne possédant une qualification similaire.
- Les prises d'air de l'enceinte de l'appareil ou de la structure encastré doivent être dégagées en tout temps.
- Ne pas utiliser d'appareils mécaniques ou d'autres moyens pour accélérer le dégivrage que ceux recommandés par le fabricant.
- Ne pas endommager le circuit frigorigène.

CONSERVER CES INSTRUCTIONS

Mise au Rebut du Vieux Réfrigérateur

AVERTISSEMENT: Risque de coincement de l'enfant. Avant de jeter votre ancien réfrigérateur ou congélateur:

- Enlevez les portes.
- Laissez les étagères en place afin que les enfants ne puissent pas facilement grimper à l'intérieur.

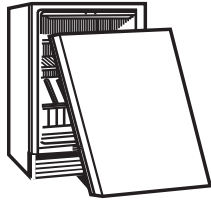
⚠ AVERTISSEMENT

Risque de Suffoquer

Enlever les portes ou le couvercle de votre vieil appareil.

Le non-respect de cette instruction peut causer un décès ou des lésions cérébrales.

IMPORTANT: Le risque qu'un enfant puisse se retrouver coincé et suffoquer n'est pas chose du passé. Les réfrigérateurs jetés ou abandonnés restent dangereux, même s'ils ne restent à l'extérieur que pour "quelques jours seulement". Si l'ancien réfrigérateur doit être mis au rebut, suivre les instructions suivantes afin d'éviter les accidents.



Renseignements importants à propos de la mise au rebut des fluides réfrigérants:

Mettre le réfrigérateur au rebut conformément à la réglementation fédérale et locale. Les fluides réfrigérants doivent être évacués par un technicien certifié et agréé par l'EPA conformément aux procédures établies.

EXIGENCES D'INSTALLATION

Outils et Pièces

Rassembler les outils et pièces nécessaires avant d'entreprendre l'installation.

Outils et pièces nécessaires:

- Tournevis à tête cruciforme.
- Panneau de porte décoratif personnalisé – voir la section "Dimensions du panneau décoratif personnalisé".
- Poignée personnalisée et matériel de fixation (facultatif).

Pièces fournies:

- 8 vis fraisées de M4 x 30.

Exigences d'Emplacement

⚠ AVERTISSEMENT



Risque d'Explosion

Garder les matériaux et les vapeurs inflammables, telle que l'essence, loin du réfrigérateur.

Le non-respect de cette instruction peut causer un décès, une explosion ou un incendie.

IMPORTANT: Cet appareil est destiné à un usage domestique et à d'autres usages similaires comme:

- Espace de cuisine pour personnel de boutiques, bureaux et autres environnements professionnels.
- Fermes et par les clients des hôtels, motels et autres environnements de type résidentiel.
- Environnements de type chambres d'hôtes.
- Banquets et autres utilisations non commerciales semblables.

REMARQUES:

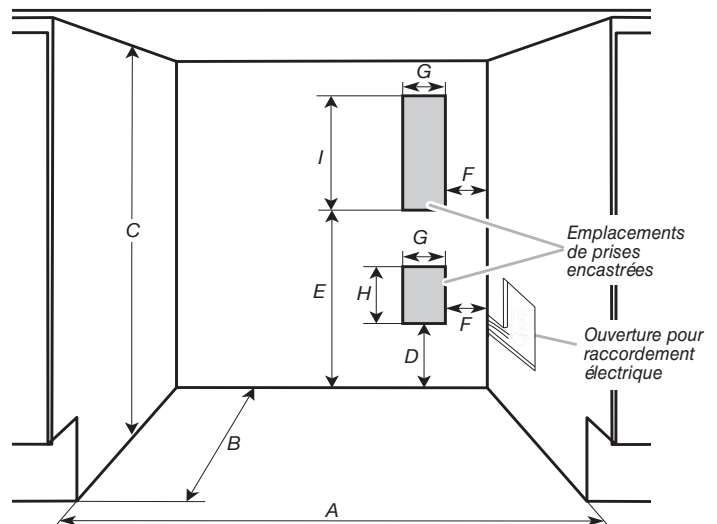
- Pour que le réfrigérateur soit en affil eurement avec la façade des armoires inférieures, retirer toutes les moulures ou plinthes de l'arrière de l'ouverture. Consulter la section « Dimensions du produit » et plus loin dans cette section "Dimensions de l'ouverture".
- Il est conseillé de ne pas installer le réfrigérateur près d'un four, d'un radiateur ou de toute autre source de chaleur.
- Ne pas installer l'appareil dans un endroit où la température pourrait descendre sous 55 °F (13 °C). Pour obtenir le meilleur rendement, ne pas installer le réfrigérateur derrière une porte d'armoire ni obstruer la grille de la base.

Dimensions de l'ouverture:

- Les dimensions de hauteur indiquées correspondent à la configuration selon laquelle les pieds de nivellement sont déployés à la hauteur minimale.

REMARQUE: Lorsque les pieds de nivellement sont complètement déployés, ajouter 5/8" (15 mm) aux dimensions de hauteur. Voir la section "Dimensions du produit".

- Si le plancher de l'ouverture n'est pas au même niveau que le plancher de la cuisine, installer des cales pour établir un niveau uniforme avec le plancher de la cuisine.



Dimensions de l'ouverture et de l'emplacement pour raccordement électrique	
Largeur de l'ouverture - A	24" (60.96 cm) mín.
Profondeur de l'ouverture - B	24" (60.96 cm) mín.
Hauteur de l'ouverture - C	34 ¹ / ₂ " (87.6 cm) mín. 35" (88.9 cm) max.
Dimension - D	12 ¹ / ₁₆ " (30.64 cm)
Dimension - E	21 ³ / ₄ " (55.16 cm)
Dimension - F	1 ³ / ₄ " (4.44 cm)
Dimension - G	3" (7.55 cm)
Dimension - H	4 ¹ / ₂ " (11.37 cm)
Dimension - I	9 ¹ / ₄ " (23.47 cm)

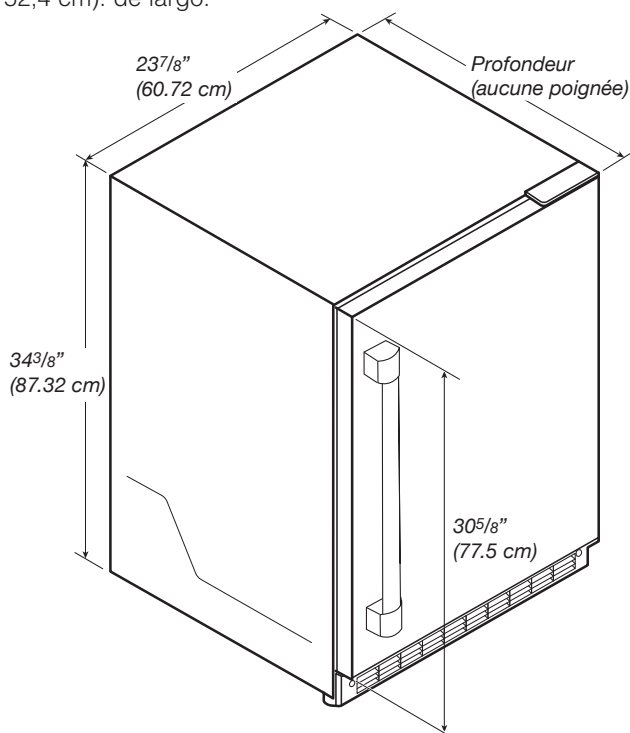
Pour une installation en affleurement, la prise de courant peut être installée dans des armoires adjacentes avec une découpe du côté du cordon d'alimentation pour l'acheminement du cordon d'alimentation.

La prise de courant peut également être encastrée sur le mur arrière derrière l'appareil, conformément aux emplacements recommandés pour les prises dans l'illustration ci-dessus.

Dimensions du Produit

Produit entier	
Largeur (jusqu'au cache charnière)	23 ⁷ / ₈ " (60.72 cm)
Hauteur (jusqu'au cache charnière)	34 ³ / ₈ " (87.32 cm)
Profondeur des modèles compatibles avec les panneaux (avec panneau de 3/4" et sans poignée)	23 ¹³ / ₁₆ " (60.5 cm)
Hauteur de porte	30 ⁵ / ₈ " (77.75 cm)
Profondeur (sans poignée)	23 ⁵ / ₈ " (60.01 cm)

REMARQUE: La longueur du cordon d'alimentation est de 60" (152,4 cm). de largo.



Panneau Décoratif Personnalisé

REMARQUE: Pour les modèles standards en acier inoxydable ou avec porte en verre, passer ces instructions et commencer directement à la section "Spécifications électriques".

Pour l'installation d'un panneau décoratif personnalisé, l'installateur devra fabriquer lui-même le panneau ou consulter un ébéniste ou menuisier qualifié. Consulter le dessin des dimensions pour les spécifications du panneau.

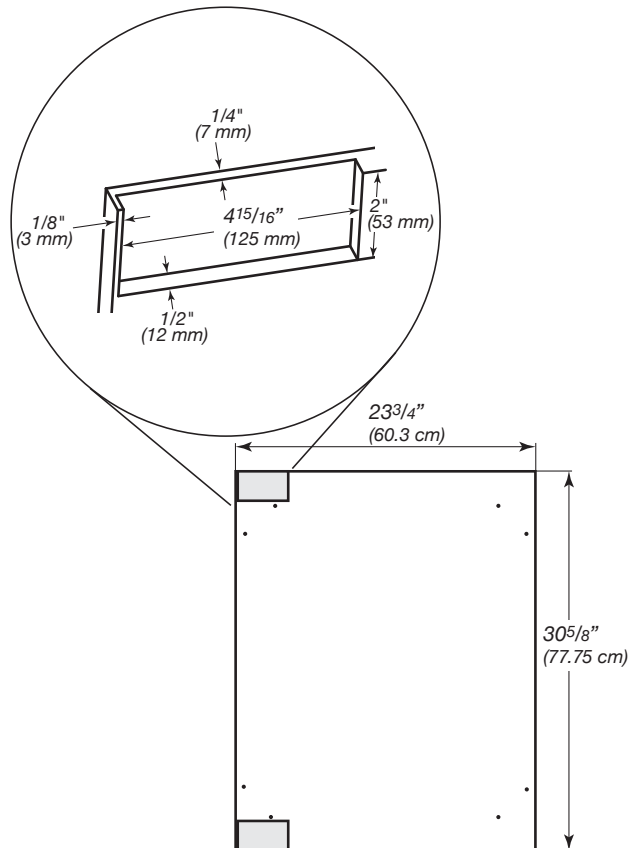
IMPORTANT:

- L'épaisseur du panneau décoratif doit être de 3/4" (19 mm).
- Le poids du panneau décoratif plein personnalisé ne doit pas dépasser 20 lb (9,07 kg).
- Le poids du panneau décoratif en verre personnalisé ne doit pas dépasser 10 lb (4,54 kg).
- Un panneau décoratif pesant plus que la limite recommandée risque d'endommager l'appareil.

Panneau décoratif plein personnalisé - Préparation:

Fabriquer le panneau décoratif personnalisé en utilisant les dimensions indiquées dans l'illustration "dimensions du panneau décoratif plein personnalisé et position des charnières". Les zones foncées doivent être creusées de 1/2" (12 mm) comme indiqué.

IMPORTANT: L'illustration suivante présente un panneau personnalisé pour une porte dont les charnières sont installées du côté droit. Si les charnières de votre cave à vin sont installées du côté gauche, faire tourner le cadre personnalisé de 180° pour que les marques de charnière se retrouvent du côté gauche.

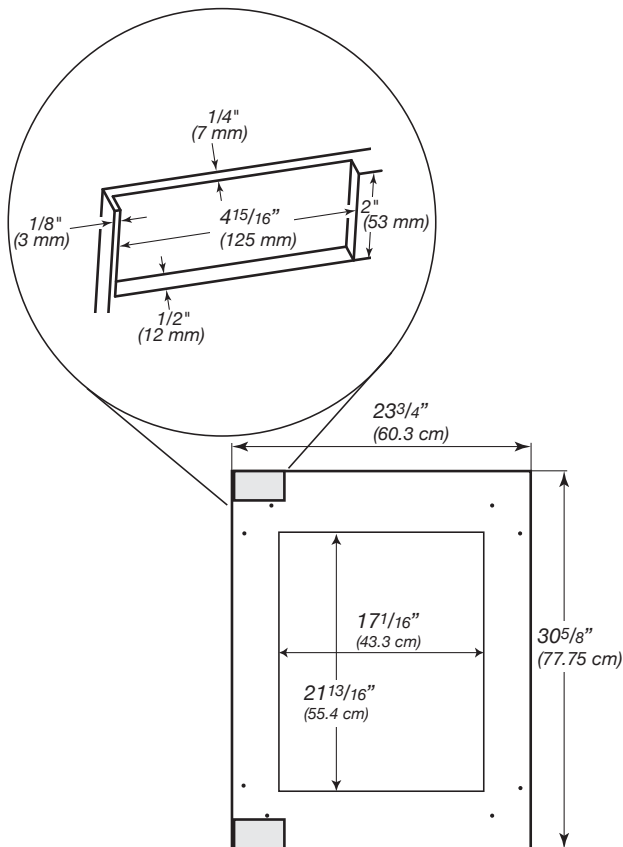


Dimensions du panneau décoratif plein personnalisé et position des charnières.

Panneau décoratif en verre personnalisé Préparation:

Fabriquer le panneau décoratif personnalisé en utilisant les dimensions indiquées dans l'illustration "dimensions du panneau décoratif en verre personnalisé et position des charnières". Les zones foncées doivent être creusées de 1/2" (12 mm) comme indiqué.

IMPORTANT: L'illustration suivante présente un panneau personnalisé pour une porte dont les charnières sont installées du côté droit. Si les charnières de votre réfrigérateur sont installées du côté gauche, faire tourner le cadre personnalisé de 180° pour que les marques de charnière se retrouvent du côté gauche.



Dimensions du panneau décoratif en verre personnalisé et position des charnières.

Poignées (facultatif)

Des poignées personnalisées sont habituellement fixées seulement sur le panneau de porte personnalisé.

Consulter les instructions reçues avec la trousse de poignée KitchenAid pour installer ces poignées sur les panneaux de bois personnalisés.

Les poignées personnalisées doivent être installées sur le panneau de porte à l'aide de trous fraisés, avant d'installer le panneau sur la porte du réfrigérateur.

Spécifications Électriques

⚠ AVERTISSEMENT



Risque de Décharge Électrique

- Brancher sur une prise à 3 alvéoles reliée à la terre.**
- Ne pas enlever la broche de liaison à la terre.**
- Ne pas utiliser un adaptateur.**
- Ne pas utiliser un câble de rallonge.**
- Le non-respect de ces instructions peut causer un décès, un incendie ou un décharge électrique.**

Avant de placer le réfrigérateur à son emplacement final, il est important de s'assurer d'avoir le raccordement électrique approprié.

Méthode recommandée de mise à la terre:

Chaque appareil doit être alimenté par un circuit à 115 VAC à 60 Hz relié à la terre et protégé par un fusible de 15 A ou 20 A. Il est recommandé d'utiliser un circuit distinct pour alimenter le réfrigérateur uniquement. Utiliser une prise de courant dont l'alimentation ne peut pas être interrompue par un interrupteur. Ne pas utiliser de rallonge.

REMARQUE: Avant d'exécuter tout type d'installation, de nettoyage ou de remplacement d'ampoule d'éclairage, débrancher le réfrigérateur ou déconnecter la source de courant électrique.

INSTRUCTIONS D'INSTALLATION

Déballage du Réfrigérateur

⚠ AVERTISSEMENT

Risque du Poids Excessif

- Utiliser deux personnes ou plus pour déplacer et installer ou désinstaller l'appareil.**
- Le non-respect de cette instruction peut causer une blessure au dos ou d'autre blessure.**

Avant d'utiliser le réfrigérateur, tous les matériaux d'emballage doivent être enlevés et l'intérieur doit être nettoyé.

- Enlever tout résidu de ruban adhésif et de colle des surfaces du réfrigérateur avant de le mettre en marche. Frotter une petite quantité de savon à vaisselle liquide avec ses doigts sur tout adhésif et essuyer avec de l'eau chaude pour enlever.
- Ne pas utiliser d'instruments coupants, d'alcool à friction, de liquides inflammables ou de nettoyants abrasifs pour enlever le ruban adhésif ou la colle. Ces produits peuvent endommager les surfaces du réfrigérateur. Pour plus de renseignements, consulter la section "Sécurité du réfrigérateur".

- Jeter ou recycler tous les matériaux d'emballage.
- Une fois que tous les matériaux d'emballage ont été retirés, nettoyer l'intérieur de votre réfrigérateur. Consulter les instructions de nettoyage dans la section "Nettoyage".

Importants renseignements à savoir au sujet des tablettes et des couvercles en verre:

Ne pas nettoyer les tablettes ou couvercles en verre avec de l'eau tiède quand ils sont froids. Les tablettes et les couvercles peuvent se briser s'ils sont exposés à des changements soudains de température ou à un impact tel que coup brusque. Le verre trempé est conçu pour éclater en d'innombrables pièces minuscules. Ceci est normal. Les tablettes et les couvercles en verre sont lourds. Les saisir à deux mains lors de leur dépose afin d'éviter de les faire tomber.

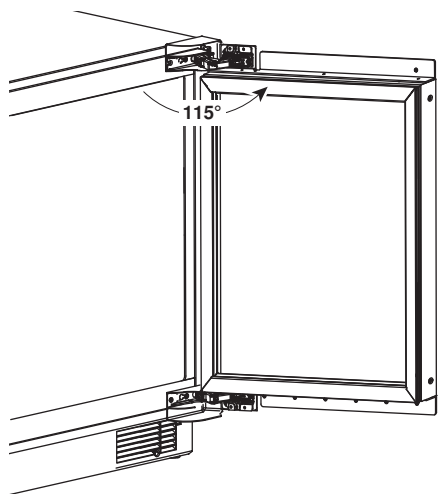
REMARQUE: Pour les modèles standards en acier inoxydable ou avec porte en verre, passer la section "Fermeture de la porte".

Installation du Panneau Personnalisé

IMPORTANT:

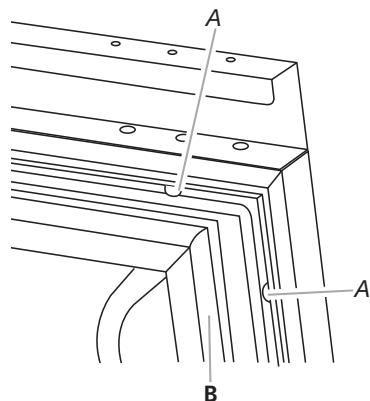
- Réaliser le panneau décoratif personnalisé selon les spécifications de la section "Panneau décoratif personnalisé".
- KitchenAid n'est pas responsable des opérations d'enlèvement et de réinstallation des moulures ou panneaux décoratifs qui entraveraient l'accès au réfrigérateur lors d'une intervention de réparation.

1. Ouvrir complètement la porte à 115°.



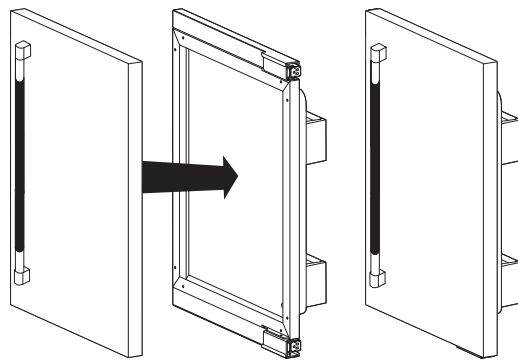
2. Retirer le joint d'étanchéité des coins de la porte en tirant doucement jusqu'à ce que les deux trous de vis dans chaque coin de la porte soient visibles.

REMARQUE: Le joint d'étanchéité n'a pas besoin d'être enlevé de la porte, seulement les coins.



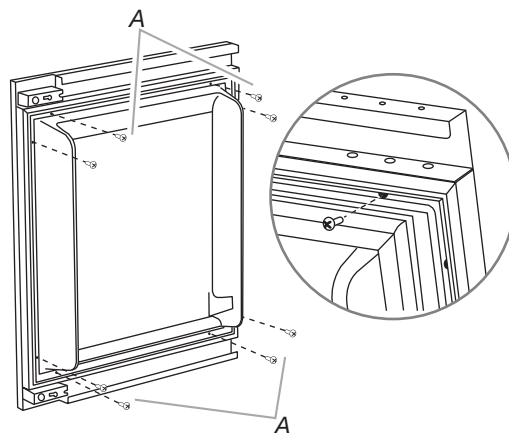
A. Trous de vis
B. Joint d'étanchéité

3. À deux personnes, maintenir le panneau personnalisé contre la porte. S'assurer que les charnières du haut et du bas s'insèrent parfaitement dans les fentes au dos du panneau personnalisé.



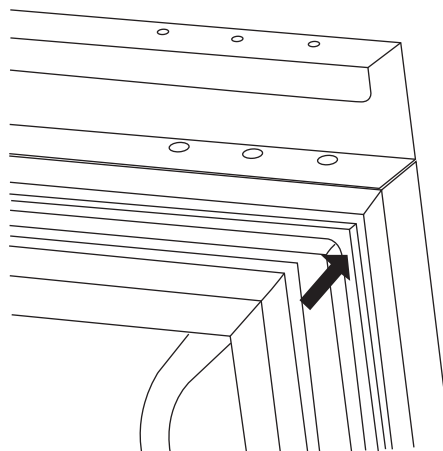
REMARQUE: Les poignées doivent être installées sur le panneau de porte avant d'installer ce dernier sur la porte du réfrigérateur.

4. Fixer le panneau personnalisé sur la porte à l'aide de deux vis à bois (fournies dans l'ensemble d'installation) à chaque coin.



A. Vis à tête fraisée M4 x 30 (incluses dans la trousse d'installation)

5. Appuyer fermement sur le joint pour le remettre à sa place.



Installation et Fermeture de la Porte

Le réfrigérateur dispose de quatre pieds de nivellement. Si votre réfrigérateur semble instable ou si on souhaite que la porte se ferme plus facilement, ajuster l'inclinaison du réfrigérateur en observant les instructions suivantes.

⚠ AVERTISSEMENT



Risque de Décharge Électrique

Brancher sur une prise à 3 alvéoles reliée à la terre.

Ne pas enlever la broche de liaison à la terre.

Ne pas utiliser un adaptateur.

Ne pas utiliser un câble de rallonge.

Le non-respect de ces instructions peut causer un décès, un incendie ou un décharge électrique.

1. Brancher l'appareil sur une prise à 3 alvéoles reliée à la terre.

⚠ AVERTISSEMENT

Risque du Poids Excessif

Utiliser deux personnes ou plus pour déplacer et installer ou désinstaller l'appareil.

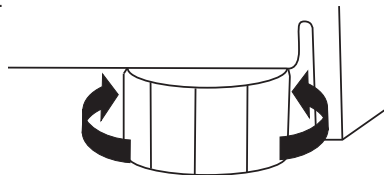
Le non-respect de cette instruction peut causer une blessure au dos ou d'autre blessure.

Déplacement de votre Réfrigérateur:

Votre réfrigérateur est lourd. Lors du déplacement du réfrigérateur pour un nettoyage, un entretien ou réparation, veiller à recouvrir le plancher avec du carton ou un panneau de fibre dur pour éviter qu'il ne subisse tout dommage. Toujours tirer le réfrigérateur tout droit lors du déplacement. Ne pas incliner la cave à vin d'un côté ou de l'autre ni la "faire marcher" en essayant de le déplacer, car le plancher pourrait être endommagé.

2. Déplacer le réfrigérateur à sa position finale.
3. Tourner les pieds de nivellement vers la droite pour abaisser le réfrigérateur ou tourner les pieds de nivellement vers la gauche pour le lever. Il peut être nécessaire de tourner les pieds de nivellement plusieurs fois pour ajuster l'inclinaison du réfrigérateur.

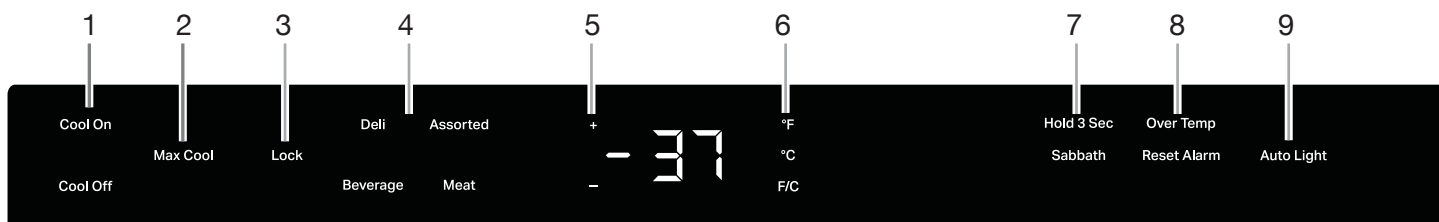
REMARQUE: Si une autre personne pousse le haut du réfrigérateur, le poids devient moins lourd sur les pieds de nivellement. Ceci rend plus facile l'ajustement des pieds d'aplomb.



4. Ouvrir la porte et s'assurer qu'elle ferme comme vous le désirez. Sinon, incliner le réfrigérateur un peu plus vers l'arrière en tournant les deux vis de nivellement avant vers la droite. Plusieurs tours peuvent être nécessaires et il convient de tourner les deux vis de réglage de l'aplomb de façon égale.

UTILISATION DU RÉFRIGÉRATEUR

Commandes



REMARQUES:

- Le tableau de commande se trouve dans la partie supérieure et fait face vers l'avant.
- La commande du réfrigérateur ne comporte aucune pièce ou aucun bouton mécaniques. Lorsqu'elle est déconnectée, la commande n'affiche rien et peut être difficile à repérer.

1. Mise en Marche/Arrêt de la Commande

La première fois que le réfrigérateur est branché, la commande est réglée en mode Cool Off (refroidissement désactivé). Cool On (refroidissement activé) et Cool Off (refroidissement désactivé) sont les seules options affichées.

Cool On

Cool Off

Appuyer sur Cool On (refroidissement activé) pendant 3 secondes pour mettre en marche le réfrigérateur. Tous les menus et les réglages de température recommandés s'affichent.

2. Max Cool (refroidissement maximal)

Diminuez la température interne à son point le plus bas pendant 24 heures.

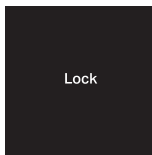
- Appuyer sur Max Cool (refroidissement maximal) pour activer la caractéristique. La caractéristique sera activée.
- Appuyer sur Max Cool (refroidissement maximal) pour désactiver la caractéristique et revenir aux réglages précédents.

Max Cool

3. Control Lock (verrouillage des commandes)

Évite les changements de température inattendus et facilite le nettoyage des commandes.

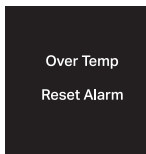
Pour activer le mode de verrouillage, appuyer sur LOCK (verrouillage) pendant 3 secondes. Après le compte à rebours, tous les autres affichages s'éteignent et deviennent indisponibles sauf Cool On (refroidissement activé), Cool Off (refroidissement désactivé) et Lock (verrouillage).



- Appuyer sur SABBATH (Sabbat) pendant 3 secondes pour désactiver la caractéristique et activer l'affichage.

8. Alarme de Dépassement de Température

Permet d'éviter que les aliments ne se gâtent en donnant une alerte sonore et visuelle si la température dans l'une ou l'autre des zones dépasse la plage prédéfinie pendant 4 heures.



L'alarme sonore s'éteint automatiquement lorsque la température revient à la normale. Pour vous avertir d'un dépassement de température, le témoin lumineux continue de clignoter jusqu'à ce que l'on appuie sur la touche Reset Alarm (réinitialisation de l'alarme). Si le dépassement de température persiste après une réinitialisation de l'alarme de dépassement de température, le témoin lumineux continue de se réactiver toutes les 4 heures jusqu'à ce que la température du réfrigérateur descende en dessous de la plage des températures pré-réglées.

REMARQUE: Ces caractéristiques ne s'affichent pas sur la commande à moins que la température du réfrigérateur dépasse la plage des températures pré-réglées et que l'alarme doit être réinitialisée.

4. Utilisation des Préréglages



Pour votre commodité, le réfrigérateur est également équipé de commandes pré-réglées à des températures d'entreposage recommandées pour des produits spécifiques. En appuyant sur une option de pré-réglage, la température sera réglée au niveau recommandé pour chaque catégorie de produits:

Deli (Produits de spécialité) : 39 °F (3 °C)

Assorted (Assortiment): 37 °F (2 °C)

Beverage (Boisson) 34 °F (1 °C)

Meat (Viande): 32 °F (0 °C)

5. Réglage des Températures

Pour ajuster les réglages de température, appuyer sur la touche "+" (plus) ou "-" (moins) jusqu'à ce que la température désirée soit atteinte. La commande est réglée correctement lorsque le lait et les boissons sont à la température idéale.

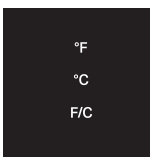


REMARQUES:

- La température recommandée par défaut du réfrigérateur est de 37 °F (2 °C). La fourchette de points de réglages pour ce modèle est de 32 °F à 42 °F (0 °C à 5 °C).
- Attendre au moins 24 heures entre les réglages pour que le réfrigérateur s'adapte.

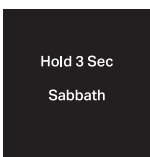
6. Visualisation de la Température en Degrés Celsius/Fahrenheit

Appuyer sur la touche tactile F/C pour alterner l'affichage de la température en degrés Fahrenheit ou en degrés Celsius. Le témoin correspondant s'allumera.



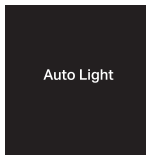
7. Mode Sabbath (Sabbat)

Permet d'ouvrir ou de fermer la porte du réfrigérateur le jour du sabbat ou lors d'autres fêtes religieuses sans allumer ou éteindre directement les lumières, les affichages numériques, les ventilateurs, les vannes, les tonalités ou les alarmes. En sélectionnant cette caractéristique, les points de réglage de température restent inchangés, mais les lumières du panneau de commande, les lampes intérieur et les signaux sonores du panneau de commande sont désactivés. Pour un fonctionnement plus efficace du réfrigérateur, il est recommandé de sortir du mode Sabbath lorsque celui-ci n'est plus nécessaire.



9. Lampe Automatique (modèles avec porte en verre)

Le réfrigérateur est équipé d'un détecteur qui illumine automatiquement l'intérieur lorsqu'une personne passe devant. Lorsque plus aucun mouvement n'est détecté, la lampe intérieure s'éteint après 2 minutes.



- Appuyer sur l'option Auto Light (lampe auto) pour activer cette caractéristique.
- Lorsque la fonction Autor Light (lampe auto) n'est pas activée, la lampe d'intérieur ne s'allume que lorsque la porte est ouverte.

REMARQUE: La température du réfrigérateur augmente légèrement si la lumière est laissée allumée pendant une période prolongée.

10. Alarme de Porte Ouverte

Permet d'éviter que les aliments ne se gâtent en donnant une alerte sonore et visuelle si la porte reste ouverte pendant 5 minutes.

Si la porte est laissée ouverte pendant plus de 5 minutes, l'avertisseur retentira toutes les 2 minutes jusqu'à ce que l'on ferme la porte ou que l'on appuie sur n'importe quelle touche.

11. Mode d'Exposition

Ce mode est utilisé uniquement lorsque le réfrigérateur est en exposition dans le magasin. Pour activer le mode d'Exposición, maintenez les touches Cool On et Sabbath en même temps pendant 3 secondes. Si l'on active involontairement le mode d'exposition, "Cool Off" (refroidissement désactivé) s'allume sur l'affichage et les commandes semblent fonctionner. Sortir du mode d'exposition en appuyant simultanément sur Cool On (refroidissement activé) et SABBATH (Sabbat) pendant 3 secondes.

Sons Normaux

Il est possible que le réfrigérateur neuf émette des sons que l'appareil précédent ne produisait pas. Comme ces sons sont nouveaux, ils peuvent vous inquiéter. La plupart de ces nouveaux sons sont normaux. Les sons peuvent vous sembler plus forts avec des surfaces dures comme le plancher et les structures adjacentes. Les descriptions suivantes indiquent le genre de sons et leur cause possible.

- Votre réfrigérateur est conçu pour fonctionner plus efficacement afin de conserver les aliments aux températures désirées et pour réduire la consommation d'énergie. Le compresseur et les ventilateurs très efficaces

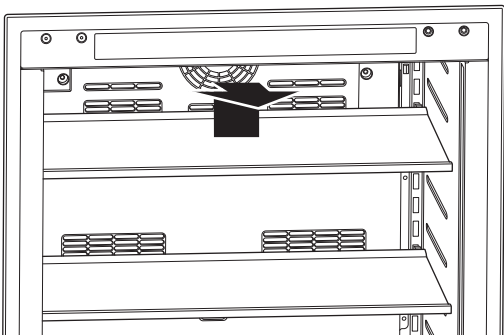
peuvent faire fonctionner votre réfrigérateur plus longtemps que l'ancien. Il se peut également que vous entendiez un bruit saccadé ou aigu provenant du compresseur ou des ventilateurs se régler pour optimiser la performance.

- Des vibrations sonores peuvent provenir de l'écoulement du réfrigérant ou d'articles placés dans le réfrigérateur.
- À la fin de chaque programme, vous pouvez entendre un gargouillement attribuable au réfrigérant qui se trouve dans votre réfrigérateur.
- Vous pouvez entendre l'écoulement de l'eau dans le plat de récupération d'eau de dégivrage lorsque le réfrigérateur dégivre.
- Vous pouvez entendre des déclics lorsque le réfrigérateur se met en marche ou s'arrête.

Tablettes du Réfrigérateur

Pour enlever et ajuster les tablettes supérieures:

1. Ôter la tablette en la soulevant pour la sortir des supports de tablette.

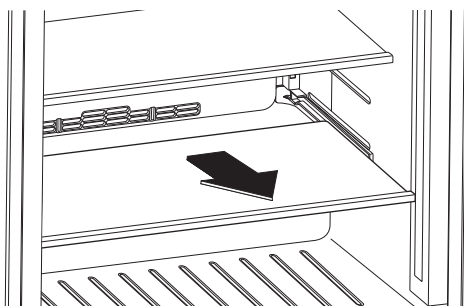


2. Réinstaller la tablette en l'insérant dans les supports de tablette.

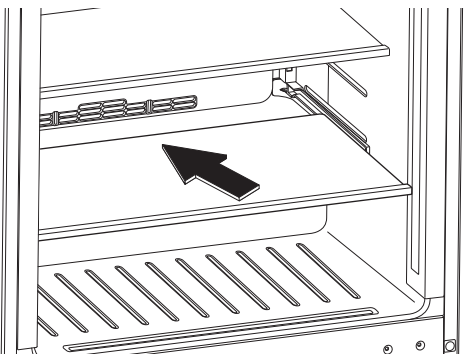
REMARQUE: Vérifier que la tablette est d'aplomb.

Pour enlever et réinstaller la tablette du bas:

1. Pour retirer la tablette située tout en bas, tirer tout droit vers l'extérieur.



2. Réinstaller la tablette en alignant les bords avec les glissières et en la poussant vers l'arrière du réfrigérateur.

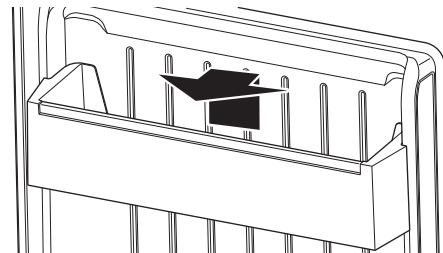


Balconnetes de Porte (Modèles avec porte pleine)

Le réfrigérateur comporte deux emplacements pour balconnets de porte pour une capacité de rangement maximale.

Retrait et réinstallation des balconnets de porte:

1. Enlever le balconnet de porte en l'inclinant vers l'avant pour le sortir.
2. Réinstaller le balconnet en plaçant l'arrière du balconnet sous le support de la porte et en le glissant en place.



Lampes

Le réfrigérateur est muni d'une lampe intérieure qui s'allume lorsque la porte est ouverte.

REMARQUE: La lampe est une DEL qui n'a pas besoin d'être remplacée. Si la DEL ne s'allume pas quand on ouvre la porte, appeler le service de dépannage. Consulter la section « Assistance » pour obtenir les coordonnées.

ENTRETIEN ET NETTOYAGE

Nettoyage

⚠ AVERTISSEMENT



Risque d'Explosion

Risque d'incendie ou d'explosion.

Fluide frigorigène inflammable utilisé.

Ne pas utiliser d'appareils mécaniques pour dégivrer le réfrigérateur.

Ne pas perforer la tubulure de réfrigération.

Nettoyer le réfrigérateur une fois par mois pour empêcher une accumulation d'odeurs. Essuyer les renversements immédiatement.

Pour nettoyer le réfrigérateur:

1. Débrancher le réfrigérateur ou déconnecter la source de courant électrique.
2. Retirer toutes les tablettes et tous les balconnets de l'intérieur du réfrigérateur.

3. Laver à la main, rincer et sécher les pièces amovibles et les surfaces internes soigneusement. Utiliser une éponge propre ou un linge doux et un détergent doux dans de l'eau tiède.

- Afin d'éviter d'endommager les tiges en bois et les garnitures, les essuyer avec une éponge propre ou un chiffon doux et de l'eau tiède. Ne pas utiliser de détergent ni immerger le porte bouteilles tout entier dans l'eau lors du nettoyage.
- Ne pas utiliser de nettoyeurs puissants ou abrasifs tels que les nettoyeurs à vitre en atomiseurs, nettoyeurs à récurer, liquides inflammables, cires nettoyantes, détergents concentrés, agents de blanchiment ou nettoyeurs contenant du pétrole sur les pièces en plastique, les garnitures intérieures et garnitures de portes ou sur les joints de portes. Ne pas utiliser d'essuie-tout, de tampons à récurer ou d'autres outils de nettoyage abrasifs. Ces produits risquent d'égratigner ou d'endommager les matériaux.
- Pour aider à éliminer les odeurs, on peut laver les parois intérieures avec un mélange d'eau tiède et de bicarbonate de soude (2 c. à soupe pour 1 pte [26 g pour 0,95 L] d'eau).

4. Laver les surfaces extérieures en acier inoxydable et surfaces extérieures peintes avec une éponge propre ou un linge doux et un détergent doux dans de l'eau tiède. Ne pas utiliser de produits de nettoyage forts ou abrasifs, ni de nettoyeurs à base de chlore. Ces produits risquent d'égratigner ou d'endommager les matériaux. Séchez immédiatement avec un chiffon doux et sec pour absorber l'eau restante.

REMARQUE: Pour que votre réfrigérateur en acier inoxydable conserve son aspect neuf et pour enlever les petites égratignures ou marques, il est recommandé d'utiliser le nettoyeur et poli pour acier inoxydable approuvé par le fabricant.

IMPORTANT:

- Ce nettoyeur doit être utilisé sur les pièces en acier inoxydable uniquement!
- Veiller à ce que le nettoyeur et poli pour acier inoxydable n'entre pas en contact avec les pièces de plastique comme les garnitures, couvercles de distributeurs ou joints de porte. En cas de contact non intentionnel, nettoyer la pièce de plastique avec une éponge et un détergent doux dans de l'eau tiède. Séchez immédiatement avec un chiffon doux et sec pour absorber l'eau restante.

5. Replacer les tablettes et balconnets.

Nettoyage du condenseur

⚠ AVERTISSEMENT



Risque d'Explosion

Risque d'incendie ou d'explosion causé par la perforation de la tubulure de réfrigération.

Suivre avec attention les instructions de manipulation.

Fluide frigorigène inflammable utilisé.

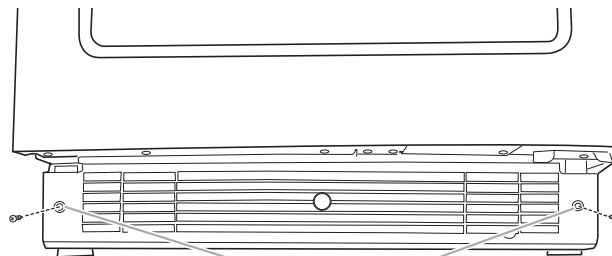
1. Retirer la grille de la base pour pouvoir accéder au condenseur aux fins de nettoyage. Se reporter à la section "Retrait de la grille de la base".
2. Nettoyer régulièrement les serpentins du condenseur. Ils sont situés derrière le casier de la base. Il se peut que les serpentins aient besoin d'être nettoyés tous les deux mois. Ce nettoyage peut aider à économiser de l'énergie.

Enlever la Grille de la Base

La grille de la base doit être retirée pour pouvoir accéder aux serpentins du condenseur lors du nettoyage.

Pour enlever la grille de la base:

1. Ouvrir la porte du réfrigérateur.



A. Vis

2. À l'aide d'un tournevis à tête cruciforme, ôter les deux vis.
3. Retirer la grille de la base.

Pour replacer la grille de la base:

1. Ouvrir la porte du réfrigérateur.
2. Positionner la grille de la base de façon à ce que les onglets soient alignés et que la grille de la base s'emboîte. Réinstaller les deux vis. Serrer les vis.

Entretien Avant les Vacances

Pour arrêter le réfrigérateur avant de partir, suivre ces étapes.

1. Enlever tous les aliments du réfrigérateur.
2. Débrancher le réfrigérateur.
3. Nettoyer le réfrigérateur. Se reporter à la section "Nettoyage".
4. À l'aide d'un ruban adhésif, placer un bloc de caoutchouc ou de bois dans la partie supérieure de la porte de façon à ce qu'elle soit suffisamment ouverte pour permettre l'entrée de l'air à l'intérieur, afin d'éviter l'accumulation d'odeur ou de moisissure.

Précautions à Prendre Avant un Déménagement

Lors du déménagement et du déplacement du réfrigérateur dans une nouvelle habitation, suivre ces étapes pour préparer le déménagement.


1. Enlever tous les aliments du réfrigérateur.
2. Débrancher le réfrigérateur.
3. Nettoyer, essuyer et sécher à fond.
4. Retirer toutes les pièces amovibles, bien les envelopper et les attacher ensemble avec du ruban adhésif pour qu'elles ne bougent et ne s'entrechoquent pas durant le déménagement.
5. Fermer les portes à l'aide de ruban adhésif et fixer le cordon d'alimentation au réfrigérateur.

Lors de l'arrivée au nouveau domicile, remettre tout en place et consulter la section "Instructions d'Installation".

DÉPANNAGE

Essayer d'abord les solutions suggérées ici afin d'éviter le coût d'une intervention de dépannage inutile.

⚠ AVERTISSEMENT



Risque de Décharge Électrique

Brancher sur une prise à 3 alvéoles reliée à la terre.

Ne pas enlever la broche de liaison à la terre.

Ne pas utiliser un adaptateur.

Ne pas utiliser un câble de rallonge.

Le non-respect de ces instructions peut causer un décès, un incendie ou un décharge électrique.

UTILISATION GÉNÉRALE

Causes Possibles et Solutions Recommandées

Le réfrigérateur ne fonctionne pas

- **Le cordon d'alimentation électrique est-il débranché?** Brancher l'appareil sur une prise à 3 alvéoles reliée à la terre.
- **La prise électrique fonctionne-t-elle?** Brancher une lampe pour voir si la prise fonctionne.
- **Un fusible du domicile est-il grillé ou un disjoncteur s'est-il déclenché?** Remplacer le fusible ou remettre le disjoncteur en fonction. Si le problème persiste, appeler un électricien.
- **Les commandes sont-elles activées?** S'assurer que les commandes du réfrigérateur sont activées. Se reporter à la section "Commandes".

Le moteur semble fonctionner trop

- **La température ambiante est-elle plus élevée que d'habitude?** Prévoir que le moteur fonctionnera plus longtemps dans des conditions de chaleur. Pour des températures normales, prévoir que le moteur fonctionne environ 40 % à 80 % du temps. Dans des conditions plus chaudes, prévoir un fonctionnement encore plus fréquent.
- **Vient-on d'ajouter une grande quantité d'aliments au réfrigérateur?** L'ajout d'une grande quantité d'aliments réchauffe le réfrigérateur. Il est normal que le moteur fonctionne plus longtemps afin de refroidir de nouveau le réfrigérateur.
- **La porte est-elle ouverte fréquemment?** Prévoir que le moteur fonctionne plus longtemps dans ce cas. Afin de conserver l'énergie, essayer de sortir du réfrigérateur tout ce dont vous avez besoin en une fois, garder les aliments organisés de sorte qu'ils soient faciles à trouver et fermer la porte dès que les aliments ont été retirés.
- **Le réglage est-il correct pour les conditions existantes?** Se reporter à la section "Commandes".
- **La porte est-elle bien fermée?** Bien fermer la porte. Si elle ne ferme pas complètement, voir "La porte ne ferme pas complètement" plus loin dans cette section.
- **Les serpentins du condenseur sont-ils sales?** Cette situation fait obstruction au transfert de l'air et fait travailler davantage le moteur. Nettoyer les serpentins du condenseur. Se reporter à la section "Nettoyage".

TEMPÉRATURE ET HUMIDITÉ

Causes Possibles et Solutions Recommandées

La température est trop élevée

- **La porte est-elle ouverte fréquemment?** Prévoir que le réfrigérateur se réchauffera dans ce cas. Pour garder le réfrigérateur froid, essayer de sortir du réfrigérateur tout ce dont vous avez besoin en une fois, garder les aliments organisés de sorte qu'ils soient faciles à trouver et fermer la porte dès que les aliments ont été retirés.
- **Vient-on d'ajouter une grande quantité d'aliments au réfrigérateur?** L'ajout d'une grande quantité d'aliments réchauffe le réfrigérateur. Plusieurs heures peuvent être nécessaires pour que le réfrigérateur revienne à la température normale.
- **Le réglage est-il correct pour les conditions existantes?** Consulter la section "Utilisation des commandes".
- **La grille de la base est-elle obstruée?** Pour obtenir le meilleur rendement, ne pas installer le réfrigérateur derrière une porte d'armoire ni obstruer la grille de la base.

Il y a accumulation d'humidité à l'intérieur

- **La porte est-elle ouverte fréquemment?** Pour éviter l'accumulation d'humidité, essayer de sortir du réfrigérateur tout ce dont vous avez besoin en une fois, garder les aliments organisés de sorte qu'ils soient faciles à trouver et fermer la porte dès que les aliments ont été retirés. Lorsque la porte est ouverte, l'humidité de l'air extérieur pénètre dans le réfrigérateur. Plus la porte est ouverte, plus l'humidité s'accumule rapidement, surtout lorsque la pièce est très humide.
- **La pièce est-elle humide?** Il est normal que de l'humidité s'accumule à l'intérieur du réfrigérateur lorsque l'air est humide.
- **Les aliments sont-ils bien emballés?** Vérifier que tous les aliments sont bien emballés. Essuyer les contenants humides avant de les placer dans le réfrigérateur.
- **Le réglage est-il correct pour les conditions existantes?** Se reporter à la section "Commandes".

PORTE

Causes Possibles et Solutions Recommandées

⚠ AVERTISSEMENT

Risque d'Explosion Utiliser un produit de nettoyage ininflammable. Le non-respect de cette instruction peut causer un décès, une explosion ou un incendie.

La porte est difficile à ouvrir

- **Le joint est-il sale ou collant?** Nettoyer le joint et la surface avec laquelle il est en contact. Frotter en appliquant une fine couche de paraffine sur le joint après le nettoyage.

La porte ne ferme pas complètement

- **Les aliments emballés empêchent-ils la porte de fermer?** Réorganiser les contenants de sorte qu'ils soient plus rapprochés et prennent moins d'espace.
- **Les tablettes sont-elles bien en place?** Remettre les tablettes à la bonne position. Consulter la section « Utilisation du réfrigérateur » pour plus de renseignements.
- **Le joint colle-t-il?** Nettoyer le joint et la surface avec laquelle il est en contact. Frotter en appliquant une fine couche de paraffine sur le joint après le nettoyage.

ASSISTANCE

Si vous avez besoin d'un entretien:

Avant de faire un appel pour assistance ou dépannage, vérifiez la section "Dépannage". Cette vérification peut vous faire économiser le coût d'une intervention de dépannage. Pour de l'aide supplémentaire, suivez les instructions ci-dessous.

Avant d'appeler, avoir à portée de la main la date d'achat, ainsi que les numéros de modèle et de série complets de l'appareil. Ces renseignements nous aideront à mieux répondre à votre demande. Consultez la page de garantie du présent manuel pour plus d'information sur l'entretien.

Si vous avez besoin de pièces de rechange:

Les composants doivent être remplacés par des composants similaires et l'entretien doit être effectué par une personne d'entretien autorisée par l'usine, ce qui permettra de réduire les risques d'ignition possible causés par l'utilisation de mauvaises pièces ou le mauvais entretien.

Aux États-Unis

Téléphoner au Centre pour l'eXpérience de la clientèle de KitchenAid sans frais: **1-800-422-1230**.

Nos Consultants Fournissent de l'Assistance Pour:

- Caractéristiques et spécifications de notre gamme complète d'appareils ménagers.
- Renseignements d'installation.
- Procédés d'utilisation et d'entretien.
- Vente d'accessoires et de pièces de rechange.
- Assistance spécialisée au client (langue espagnole, malentendants, malvoyants, etc.).
- Les références aux concessionnaires, compagnies d'entretien et de réparation, et distributeurs de pièces de rechange locaux. Les techniciens d'entretien désignés par KitchenAid sont formés pour remplir la garantie des produits et fournir un service après garantie partout aux États-Unis.

Pour localiser la compagnie d'entretien désignée par KitchenAid dans votre région, vous pouvez également consulter les Pages jaunes.

Pour Plus d'Assistance

Si vous avez besoin de plus d'assistance, vous pouvez écrire à KitchenAid en soumettant toute question ou problème à:

KitchenAid Brand Home Appliances
Customer eXperience Center
553 Benson Road
Benton Harbor, MI 49022-2692

Dans votre correspondance, veuillez indiquer un numéro de téléphone où l'on peut vous joindre dans la journée.

Au Canada

Téléphoner sans frais au Centre pour l'eXpérience de la clientèle de KitchenAid Canada au: **1-800-807-6777**.

Nos Consultants Fournissent de l'Assistance Pour:

- Caractéristiques et spécifications de notre gamme complète d'appareils ménagers.
- Procédés d'utilisation et d'entretien.
- Vente d'accessoires et de pièces de rechange.
- Les références aux concessionnaires, compagnies d'entretien et de réparation, et distributeurs de pièces de rechange locaux. Les techniciens d'entretien désignés par KitchenAid Canada sont formés pour remplir la garantie des produits et fournir un service après garantie, partout au Canada.

Pour Plus d'Assistance:

Si vous avez besoin de plus d'assistance, vous pouvez écrire à KitchenAid Canada en soumettant toute question ou problème à:

KitchenAid Canada
Customer eXperience Centre
200 – 6750 Century Ave.
Mississauga, Ontario L5N 0B7

Dans votre correspondance, veuillez indiquer un numéro de téléphone où l'on peut vous joindre dans la journée.

Accessoires

Les accessoires pour cave à vin suivants sont disponibles. Pour commander un accessoire, veuillez communiquer avec nous et demander le numéro de pièce correspondant.

Aux États-Unis, visitez notre site web à **www.kitchenaid.com/accessories** ou composer le **1-800-442-9991**.

Au Canada, visitez notre site web à **www.whirlpoolparts.ca** ou composer le **1-800-807-6777**.

Nettoyant et poli pour acier inoxydable

Commander la pièce n° 4396095

REFRIGERADOR COMPACTO

Guía de Uso y Cuidados e Instrucciones de Instalación

Para preguntas sobre los recursos, operaciones/desempeño, piezas, accesorios o servicio, llamar al: **1-800-422-1230** o acceda a nuestro sitio web... **www.kitchenAid.com**
En Canadá, llamar al: **1-800-807-6777**, o acceda a nuestro sitio web... **www.KitchenAid.ca**

TABLA DE CONTENIDO

SEGURIDAD DEL REFRIGERADOR	28
Cómo Deshacerse Adecuadamente de su Refrigerador Anterior	29
REQUISITOS DE INSTALACIÓN	29
Herramientas y Piezas	29
Requisitos de la Localización	29
Dimensiones del Producto.....	30
Panel Recubierto Personalizado.....	30
Manija (Opcional)	31
Requisitos Eléctricos	31
INSTRUCCIONES DE INSTALACIÓN	31
Desempaque del Refrigerador	31
Instalación del Panel Recubierto Personalizado.....	32
Instalación y Cierre de la Puerta.....	33
USO DEL REFRIGERADOR	33
Controles	33
Sonidos Normales.....	34
Estantes del Refrigerador	35
Compartimientos en las Puertas	35
Iluminación	35
CUIDADOS Y LIMPIEZA	35
Limpieza	35
Removiendo la Rejilla de la Base	36
Cuidados de Vacaciones.....	36
Cuidados de Desplazamiento.....	36
RESOLUCIÓN DE PROBLEMAS.....	37
ASISTENCIA	39
En EE.UU	39
En Canadá.....	39
Accesorios.....	39

SEGURIDAD DEL REFRIGERADOR

Su seguridad y la de los demás es muy importante.

Hemos provisto muchos mensajes de seguridad importantes en este manual y en su aparato. Siempre lea y obedezca a todos los mensajes de seguridad.



Este es el símbolo de alerta de seguridad.

Ese símbolo le alertará con respecto a posibles peligros que pueden matar o herir a usted o a otros.

Todos los mensajes de seguridad acompañarán el símbolo de alerta de seguridad y las palabras “PELIGRO” o “ADVERTENCIA”. Esas palabras significan:

PELIGRO

Usted puede morir o resultar gravemente herido si no sigue inmediatamente las instrucciones.

ADVERTENCIA

Usted puede morir o resultar gravemente herido si no sigue las instrucciones.

Todos los mensajes de seguridad le dirán cuáles son los posibles peligros, cómo reducir las posibilidades de lesiones y dirán qué podrá ocurrir si se dejan de seguir las instrucciones.

INSTRUCCIONES DE SEGURIDAD IMPORTANTES

ALERTA: Para reducir el riesgo de incendio, choque eléctrico o lesión al utilizar su refrigerador, siga estas siguientes precauciones básicas:

- Conéctelo en un tomacorriente de 3 polos con toma de tierra.
- No retire la clavija con toma de tierra.
- No utilice un adaptador.
- No utilice una extensión eléctrica.
- Desconecte de la energía antes de realizar el mantenimiento.
- Sustituya todas las piezas y paneles antes de operar.
- Retire las puertas de su refrigerador antiguo.
- No utilice un limpiador inflamable.
- No almacene o utilice gasolina, líquidos inflamables o gas alrededor de ese o de otros aparatos eléctricos. Los vapores pueden causar incendios o explosiones.
- No almacene sustancias explosivas, como latas de aerosol, con un propulsor inflamable en su refrigerador.
- No utilice o inserte aparatos eléctricos en los compartimientos del refrigerador si estos no son del tipo expresamente autorizado por el fabricante.
- Utilice dos o más personas para mover e instalar el refrigerador.
- Este aparato no ha sido diseñado para ser utilizado por personas (incluyendo niños) con capacidades físicas, sensoriales o mentales reducidas, o con falta de experiencia y conocimiento, a menos que ellos reciban supervisión o instrucción con respecto al uso del aparato por una persona responsable por su seguridad.
- Los niños deben ser supervisados para garantizar que no jugarán con el aparato.
- Para evitar riesgo de que algún niño quede encerrado y con peligro de asfixia, no permita que ellos jueguen o que se escondan dentro del refrigerador.
- Si el cable de alimentación está dañado, debe ser sustituido por el fabricante, su agente de servicio o por una persona igualmente calificada.
- Mantenga las aberturas de ventilación del nicho o de la estructura integrada del aparato libres de obstrucción.
- No utilice aparatos mecánicos u otros medios para acelerar el proceso de descongelamiento además de aquellos recomendados por el fabricante.
- No dañe el circuito de refrigeración.

GUARDE ESTAS INSTRUCCIONES

Cómo Deshacerse Adecuadamente de su Refrigerador Anterior

ADVERTENCIA: Riesgo de niños atrapados. Antes de desechar su refrigerador o congelador anterior:

- Saque las puertas.
- Deje los estantes en su lugar para los niños no puedan introducirse con facilidad.

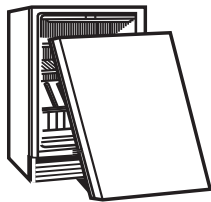
⚠ ADVERTENCIA

Peligro de Asfixia

Quite las puertas o la tapa de su electrodoméstico anterior.

No seguir esta instrucción puede ocasionar la muerte o daño al cerebro.

IMPORTANTE: El atrapamiento y la asfixia de los niños no son problemas del pasado. Los refrigeradores tirados y abandonados igual constituyen un peligro, incluso si van a quedar ahí "por unos pocos días". Si está por deshacerse de su refrigerador anterior, siga las instrucciones a continuación para evitar accidentes.



Información importante para saber acerca del desecho de refrigerantes:

Deséchese del refrigerador siguiendo los reglamentos federales y locales. Los refrigerantes deberán ser evacuados por un técnico certificado en refrigeración por EPA (Agencia de Protección del Medioambiente) según los procedimientos establecidos.

REQUISITOS DE INSTALACIÓN

Herramientas y Piezas

Reúna las herramientas y piezas necesarias antes de empezar la instalación.

Herramientas y piezas necesarias:

- Destornillador Phillips.
- Panel de Puerta Superior Personalizado - "Puerta de Panel Recubierto Personalizado".
- Mango personalizado y equipo de montaje (opcional).

Piezas provistas:

- Tornillos de cabeza plana M4 x 30 (8).

Requisitos de la Localización

⚠ ADVERTENCIA



Peligro de Explosión

Mantenga materiales inflamables y vapores, como gasolina, lejos del refrigerador.

No hacerlo podrá resultar en muerte, explosión o incendio.

IMPORTANTE: Ese aparato ha sido diseñado para ser usado en ambientes domésticos y aplicaciones similares, tales como:

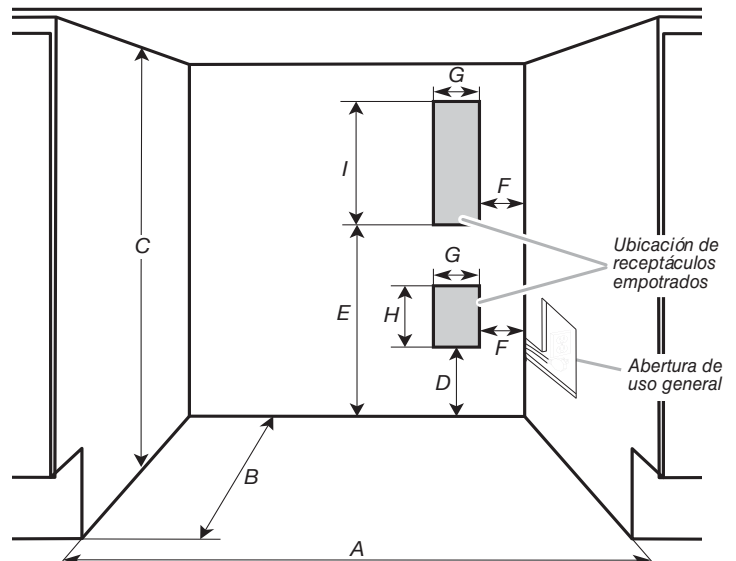
- Áreas con personal de cocina en tiendas, oficinas y otros ambientes de trabajo;
- Haciendas y por clientes en hoteles, moteles y otros tipos de ambientes residenciales;
- Ambientes del tipo albergues;
- Buffet y otras aplicaciones no comerciales.

NOTAS:

- Para que el refrigerador quede al ras con la parte delantera de los gabinetes de la base, retire los zócalos o molduras de la parte trasera de la abertura. Consulte "Dimensiones del producto" y más adelante en esta sección, "Dimensiones de Abertura".
- Se recomienda que el refrigerador no sea instalado cerca de un horno, radiador, u otra fuente de calor.
- No instale en un local donde la temperatura caerá por debajo de los 55 °F (13 °C). Para un mejor desempeño, no instale el refrigerador por detrás de una puerta de alacena ni bloquee la rejilla de la base.

Dimensiones de abertura:

- Las dimensiones de altura se muestran con las patas de nivelación extendidas en su altura mínima.
NOTA: Cuando las patas de nivelación estuvieren totalmente extendidas, añada 5/8" (15 mm) a las dimensiones de altura. Vea "Dimensiones del Producto".
- Si el piso de la abertura no está nivelado con el piso de la cocina, calce la abertura para nivelarla con el piso de la cocina.



Dimensiones de la apertura y localización de los servicios	
Ancho de la abertura - A	24" (60.96 cm) mín.
Profundidad de la abertura- B	24" (60.96 cm) mín.
Altura de la abertura - C	34 1/2" (87.6 cm) mín. 35" (88.9 cm) max.
Dimensión - D	12 1/16" (30.64 cm)
Dimensión - E	21 3/4" (55.16 cm)
Dimensión - F	1 3/4" (4.44 cm)
Dimensión - G	3" (7.55 cm)
Dimensión - H	4 1/2" (11.37 cm)
Dimensión - I	9 1/4" (23.47 cm)

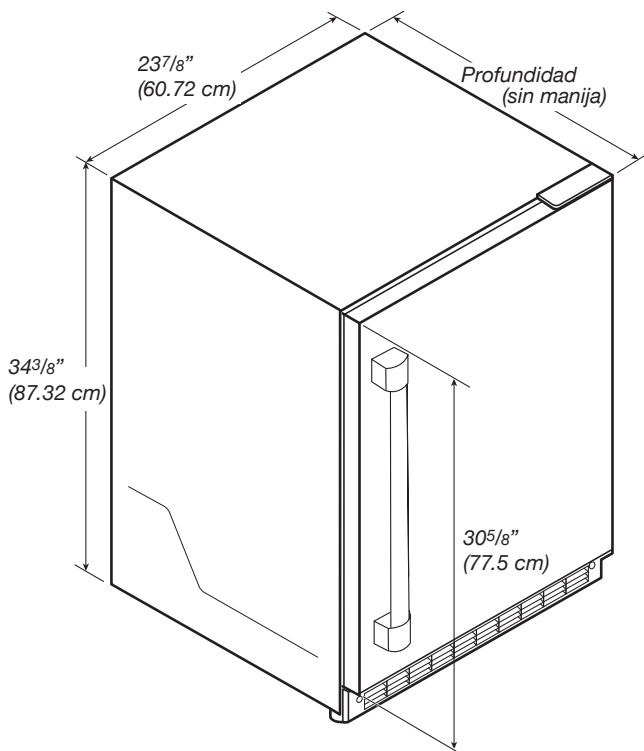
Para instalación al ras, el tomacorriente puede ser instalado en un gabinete adyacente con un corte en el lado del cable de alimentación para encaminarlo hasta allí.

El tomacorriente también puede ser empotrado en la pared posterior, por detrás de la unidad, según la localización de receptáculo recomendada en la ilustración arriba.

Dimensiones del Producto

General del producto	
Ancho (hasta la tapa de la bisagra)	23 7/8" (60,72 cm)
Altura (hasta la tapa de la bisagra)	34 3/8" (87,32 cm)
Profundidad de modelos con paneles listos (con un panel de 3/4" y sin mango)	23 13/16" (60,5 cm)
Altura de la puerta	30 5/8" (77,75 cm)
Profundidad (sin manija)	23 5/8" (60,01 cm)

NOTA: El cable de alimentación tiene 60" (152,4 cm) de largo.



Panel Recubierto Personalizado

NOTA: Para modelos estándar de acero inoxidable o de puertas de vidrio, omita esas instrucciones y proceda a la sección "Requisitos Eléctricos".

Si está planeando instalar un panel recubierto personalizado, usted mismo deberá crear el panel o consultar un fabricante de gabinetes o carpintero calificado. Consulte los dibujos de las dimensiones para las especificaciones del panel.

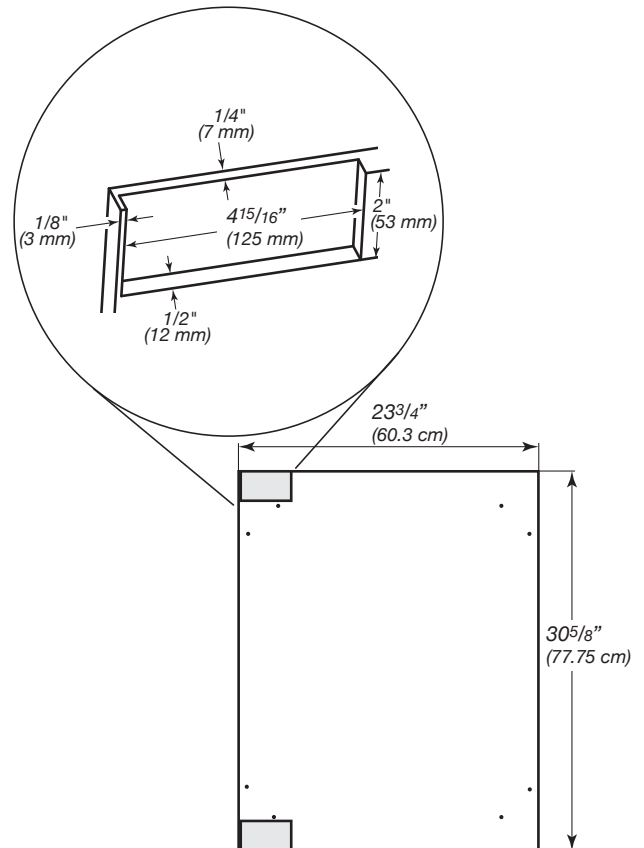
IMPORTANTE:

- El espesor del panel recubierto debe ser 3/4" (19 mm).
- El panel recubierto personalizado de la puerta sólida no debe pesar más de 20 lb (9,07 kg).
- El panel recubierto personalizado de la puerta de vidrio no debe pesar más de 10 lb (4,54 kg).
- Paneles recubiertos que pesan más de lo recomendado pueden dañar su aparato.

Panel recubierto de puerta sólida - Preparación:

Cree el panel recubierto personalizado utilizando las dimensiones exhibidas en la ilustración "Dimensiones del panel recubierto de puerta sólida y encaminamiento de las bisagras". Encamine las áreas sombreadas con una profundidad de 1/2" (12 mm), según la exhibición.

IMPORTANTE: Los gráficos siguientes muestran un panel personalizado para una puerta con bisagras instaladas a su derecha. Si su refrigerador tiene bisagras instaladas a su izquierda, gire la estructura personalizada 180° para que las marcas de las bisagras estén a la izquierda.

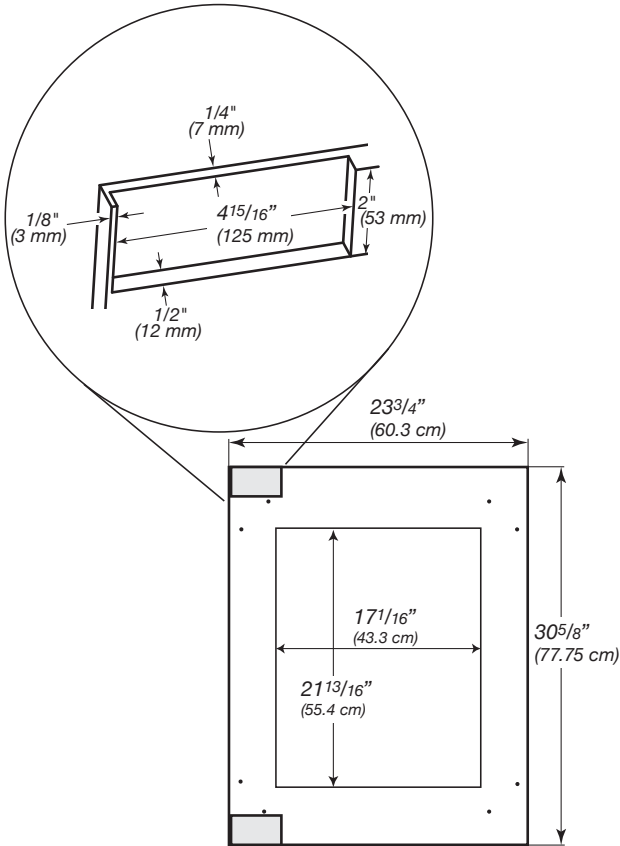


Dimensiones del panel recubierto de puerta sólida y encaminamiento de las bisagras.

Panel recubierto de puerta de vidrio - Preparación:

Cree el panel recubierto personalizado utilizando las dimensiones que se muestran en la ilustración "Dimensiones del panel recubierto de puerta de vidrio y encaminamiento de las bisagras". Encamine las áreas sombreadas con una profundidad de 1/2" (12 mm), según la exhibición.

IMPORTANTE: Los gráficos siguientes muestran un panel personalizado para una puerta con bisagras instaladas a su derecha. Si su refrigerador tiene bisagras instaladas a su izquierda, gire la estructura personalizada 180° para que las marcas de las bisagras estén a la izquierda.



Dimensiones del panel recubierto de puerta de vidrio y encaminamiento de las bisagras.

Manija (opcional)

Las manijas personalizadas suelen estar fijadas solamente al panel recubierto personalizado de la puerta.

Consulte las instrucciones recibidas con los kits de manijas KitchenAid para instalar esas manijas en paneles de madera personalizados.

Las manijas personalizadas deben ser instaladas en el panel de la puerta con agujeros avellanados e instaladas antes que el panel recubierto personalizado de la puerta sea instalado en la puerta del refrigerador.

Requisitos Eléctricos

⚠ ADVERTENCIA



Peligro de Choque Eléctrico

Conéctelo en un tomacorriente de 3 polos con toma de tierra.

No retire la clavija con toma de tierra.

No utilice un adaptador.

No utilice una extensión eléctrica.

No seguir estas instrucciones podrá resultar en muerte, incendio o choque eléctrico.

Antes de mover su refrigerador hasta su localización final, asegúrese de que usted posee la conexión eléctrica adecuada.

Método de puesta a tierra recomendado:

Una fuente de alimentación de 115 VAC, 60 Hz, 15 A o 20 A con fusibles y puesta a tierra es necesaria.

Se recomienda un circuito separado para alimentar solamente a su refrigerador. Utilice un tomacorriente que no puede ser apagado por un interruptor. No utilice una extensión eléctrica.

NOTA: Antes de realizar algún tipo de instalación, limpieza o de quitar una bombilla, desconecte el refrigerador de la fuente de alimentación.

INSTRUCCIONES DE INSTALACIÓN

Desempaque del Refrigerador

⚠ ADVERTENCIA

Peligro de Peso Excesivo

Use dos o más personas para mover e instalar o desinstalar el aparato.

No seguir esta instrucción puede ocasionar una lesión en la espalda u otro tipo de lesiones.

Antes de utilizar su refrigerador, deberá quitar todos los materiales de embalaje y limpiar el interior.

- Quite los residuos de cinta adhesiva y de pegamento de las superficies antes de encender su refrigerador. Con sus dedos, frote una pequeña cantidad de detergente para platos sobre cualquier adhesivo y limpie con agua caliente para eliminarlo.
- No utilice instrumentos afilados, alcohol para frotar, fluidos inflamables o limpiadores abrasivos para eliminar cinta adhesiva o pegamento. Ellos pueden dañar las superficies

de su refrigerador. Para más información, vea la sección "Seguridad del Refrigerador".

- Deshágase de y/o recicle todos los materiales de embalaje.
- Después que todos los materiales de embalaje han sido quitados, limpie el interior de su refrigerador. Vea las instrucciones de limpieza de la sección "Limpieza".

Información importante que hay que saber sobre los estantes de vidrio y las cubiertas:

No limpie los estantes de vidrio o las cubiertas con agua caliente cuando estén fríos. Los estantes y las cubiertas pueden romperse si se exponen a cambios repentinos de temperatura o impacto, como los choques. El vidrio templado está diseñado para romperse en muchos trozos pequeños del tamaño de una piedra. Esto es normal. Los estantes y las cubiertas de vidrio son pesados. Use ambas manos al quitarlos para evitar que se caigan.

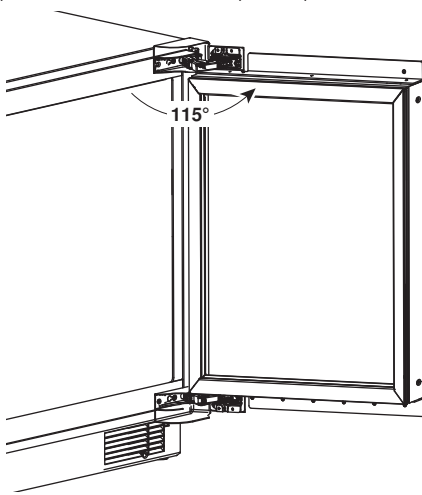
NOTA: Para modelos estándar de acero inoxidable o de puertas de vidrio, omita la sección "Cerrando la Puerta".

Instalación del Panel Recubierto Personalizado

IMPORTANTE:

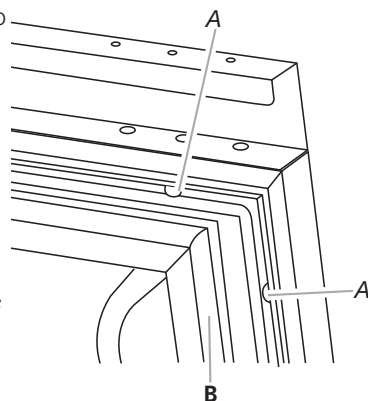
- Cree el panel recubierto personalizado según las especificaciones de la sección "Panel Recubierto Personalizado".
- KitchenAid no es responsable por la remoción o adición de estructuras o paneles decorativos que imposibilitan el acceso a el refrigerador para mantenimiento.

1. Abra la puerta completamente en 115°.



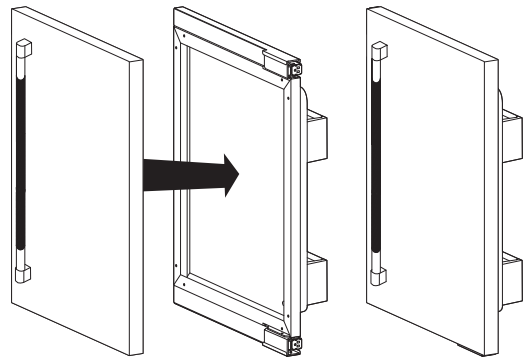
2. Retire las juntas de las esquinas de la puerta, jalando suavemente hasta que sea posible ver los dos orificios de tornillos en cada esquina de la puerta.

NOTA: No es necesario quitar toda la junta de la puerta, solo las esquinas.



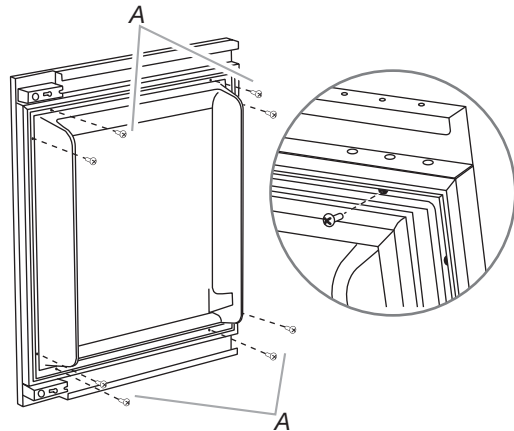
A. Orificios de los tornillos
B. Junta

3. Utilizando dos personas, sostenga el panel recubierto personalizado contra la puerta. Asegúrese de que las bisagras superior e inferior se ajustan correctamente en el encaminamiento por detrás del panel personalizado de madera.



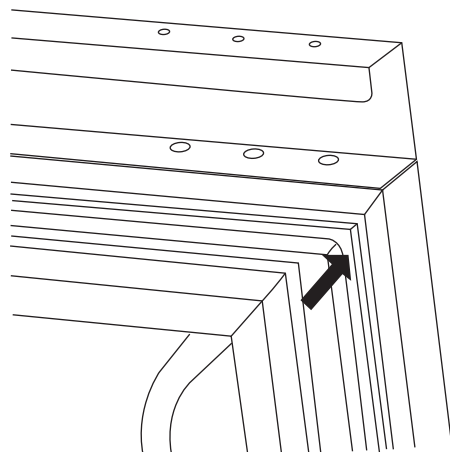
NOTA: La manija debe ser instalada antes que el panel recubierto de la puerta sea instalado en la puerta del refrigerador.

4. Fije en panel personalizado a la puerta utilizando dos tornillos de madera (provistos en el kit de instalación) en cada esquina.



A. Tornillos de cabeza plana M4 x 30 (provistos en el kit de instalación)

5. Presione la junta firmemente de nuevo en su posición original.



Instalación y Cierre de la Puerta

Su refrigerador tiene cuatro patas de nivelación. Si siente que su refrigerador no está nivelado o si desea que la puerta se cierre con más facilidad, ajuste la inclinación del refrigerador utilizando las instrucciones abajo.

⚠ ADVERTENCIA



Peligro de Choque Eléctrico

Conéctelo en un tomacorriente de 3 polos con toma de tierra.

No retire la clavija con toma de tierra.

No utilice un adaptador.

No utilice una extensión eléctrica.

No seguir estas instrucciones podrá resultar en muerte, incendio o choque eléctrico.

1. Conéctelo en un tomacorriente de 3 polos con toma de tierra.

⚠ ADVERTENCIA

Peligro de Peso Excesivo

Use dos o más personas para mover e instalar o desinstalar el aparato.

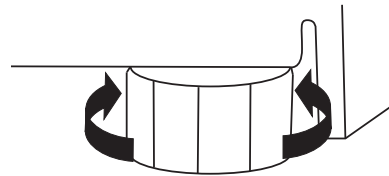
No seguir esta instrucción puede ocasionar una lesión en la espalda u otro tipo de lesiones.

Al mover su Refrigerador:

Su refrigerador es pesado. Al mover el refrigerador para limpieza o mantenimiento, asegúrese de cubrir la puerta con cartón o HDF para evitar que la puerta sufra daños. Siempre jale el refrigerador directamente para fuera al moverlo. No menee o "camine" con el refrigerador al intentar moverlo, pues eso podría dañar la puerta.

2. Mueva el refrigerador hasta su localización final.
3. Gire las patas de nivelación a la derecha para bajar el refrigerador o gire las patas de nivelación a la izquierda para levantarlo. Pueden ser necesarios diversos giros de las patas de nivelación para ajustar la inclinación del refrigerador.

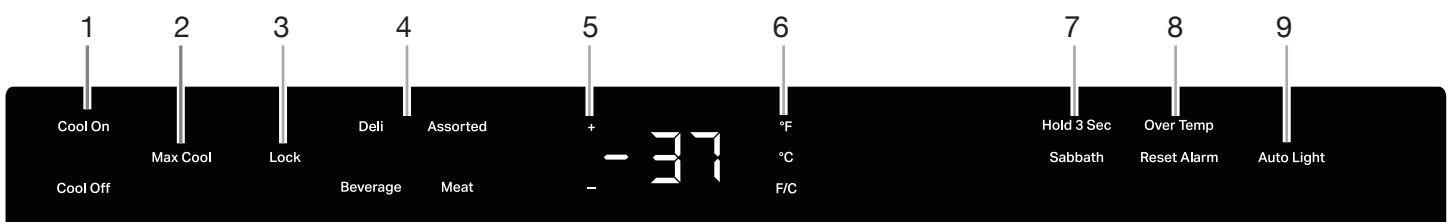
NOTA: Hacer que alguien empuje la parte superior del refrigerador reduce un poco del peso de las patas de nivelación. Eso facilita el ajuste de las patas de nivelación.



4. Abra la puerta y verifique si se cierra tan fácilmente como le gustaría. Si no, incline el refrigerador un poco más hacia atrás girando los dos tornillos de nivelación delanteros a la derecha. Puede que sea necesario dar más vueltas, y las dos patas de nivelación deben ser giradas en la misma proporción.

USO DEL REFRIGERADOR

Controles



NOTAS:

- El panel de control está situado en la parte superior del compartimiento y orientado hacia el frente.
- El control del refrigerador no tiene piezas mecánicas ni botones. Cuando se desconecta, el panel de control no muestra nada y puede ser difícil de localizar.

1. Encender / Apagar el Control

Al conectar el refrigerador por la primera vez, el control estará en el modo Cool Off (Enfriar desactivado). Cool On (Enfriar activado) y Cool Off (Enfriar desactivado) serán las únicas opciones presentadas.

Cool On
Cool Off

Presione Cool On (Enfriar activado) por 3 segundos para encender el refrigerador. Todos los menús y configuraciones de temperatura recomendadas serán presentados.

2. Max Cool

Disminuir las temperaturas internas a su punto más bajo durante 24 horas.

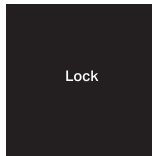
- Presione Max Cool para activar la función. La función se activará.
- Presione Max Cool para desactivar la función y volver a la configuración anterior.

Max Cool

3. Bloqueo del Control

Evita cambios de temperatura no deseados y facilita la limpieza de los controles.

Para activar el modo de Bloqueo, mantenga presionado Lock (Bloquear) durante 3 segundos. Después de la cuenta regresiva, todas las demás pantallas se apagarán y no estarán disponibles excepto Cool On (Enfriar activado), Cool Off (Enfriar desactivado) y Lock (Bloquear).



4. Uso de los Preajustes



Para su conveniencia, su refrigerador también tiene controles que están preestablecidos a las temperaturas de almacenamiento recomendadas para productos específicos. Presionando cualquier opción preestablecida, el valor de la temperatura será la temperatura recomendada para cada categoría:

Delicatesen: 39 °F (3 °C)
Surtido: 37 °F (2 °C)
Bebida: 34 °F (1 °C)
Carne: 32 °F (0 °C)

5. Ajustando las Temperaturas

Para ajustar las temperaturas del punto de ajuste, presione "+" (más) o "-" (menos) hasta que se alcance el ajuste de temperatura deseado. El control se ajusta correctamente cuando la leche y las bebidas están tan frías como se desea.

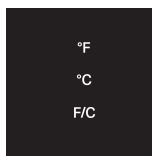


NOTAS:

- La temperatura recomendada predeterminada para el refrigerador es de 37 °F (2 °C). El rango del punto de ajuste para este modelo es de 32 °F a 42 °F (0 °C a 5 °C).
- Espere al menos 24 horas entre los ajustes para que el refrigerador pueda aclimatarse.

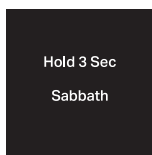
6. Viendo Temperaturas Celsius/ Fahrenheit

Presione el panel táctil F/C para alternar entre exhibir la temperatura en grados Fahrenheit y grados Celsius. El indicador correspondiente se encenderá.



7. Modo de Sabbath (Sábado)

Permite que la puerta del refrigerador permanezca abierta o cerrada durante el sábado u otros feriados religiosos sin encender o apagar directamente cualquier luz, lectura digital, ventilador, válvula, sonido o alarma. Al seleccionar ese recurso, el valor objetivo de la temperatura no cambiará, pero las luces del panel de control, las luces interiores y el audio de control serán apagados. Para una operación más eficiente del refrigerador, se recomienda salir del modo de Sabbath (Sábado) cuando ese deje de ser necesario.



- Presione y mantenga Sabbath (Sábado) presionado por 3 segundos para encender el recurso. Después de la cuenta regresiva de 3 segundos, el recurso será activado y todos los otros visualizadores serán apagados.

- Presione y mantenga Sabbath (Sábado) presionado por 3 segundos para apagar el recurso y encender el visualizador.

8. Alarma de Exceso de Temperatura

Ayuda a evitar que los alimentos y las bebidas se echen a perder al dar una alerta sonora y visual si la temperatura sube por encima del rango preestablecido durante 4 horas.

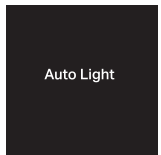


La alarma acústica se apagará automáticamente cuando la temperatura vuelva a la normalidad. Para avisarle que ocurrió una condición de temperatura excesiva, la luz indicadora continuará parpadeando hasta que se presione el panel táctil Reset Alarm (Reinicio de la Alarma). Si la condición de exceso de temperatura todavía existir cuando un reinicio de Over Temp (Exceso de Temperatura) es realizado, la luz indicadora continuará a ser reactivada cada 4 horas hasta que la temperatura del refrigerador esté por debajo del rango preestablecido.

NOTA: Esos recursos no aparecerán en su control a menos que su refrigerador esté por encima del rango preestablecido y la alarma deba ser reiniciada.

9. Luz Automática (modelos de puerta de vidrio)

El refrigerador tiene un sensor que enciende la luz de la pantalla interior automáticamente cuando alguien pasa por allí. Cuando ya no se detecta movimiento, la luz de la pantalla interior se apagará después de 2 minutos.



- Presione la opción de Luz Automática para activar esta función.
- Cuando la luz automática no está activada, la luz de la pantalla interior solo se encenderá cuando se abra la puerta.

NOTA: Si se deja la luz encendida durante un período prolongado, la temperatura del refrigerador aumentará ligeramente.

10. Alarma de Puerta Abierta

Ayuda a evitar que el alimento y la bebida se echen a perder dando una alerta sonora y visual si se deja la puerta abierta por más de 5 minutos.

Si se deja la puerta abierta por más de 5 minutos, una alarma sonará cada 2 minutos hasta que la puerta se cierre o se presione algún control.

11. Modo Sala de Exposición

Este modo es utilizado solamente cuando el refrigerador está en exhibición en una tienda minorista. Para activar el modo Sala de exposición mantenga presionado al mismo tiempo, Cool On (Enfriar activado) y Sabbath (Sábado), durante 3 segundos. En caso que encienda el modo de Sala de exposición, Cool Off (Enfriar desactivado) se encenderá en el visualizador, y los controles aparecerán para operación. Salga del modo de Sala de Exposición al mantener presionados Cool On (Enfriar activado) y Sabbath (Sábado) al mismo tiempo por 3 segundos

Sonidos Normales

Su nuevo refrigerador puede producir ruidos que su refrigerador anterior no producía. Como esos sonidos le son nuevos, ellos pueden preocuparle. La mayor parte de esos nuevos sonidos son normales. Superficies duras, como el piso y las estructuras adyacentes, pueden hacerlos sonar más alto. Lo siguiente describe los tipos de sonidos y qué les pueden estar produciendo.

- Su refrigerador está diseñado para funcionar de forma más eficiente para mantener sus alimentos a las temperaturas deseadas y para minimizar el uso de energía.

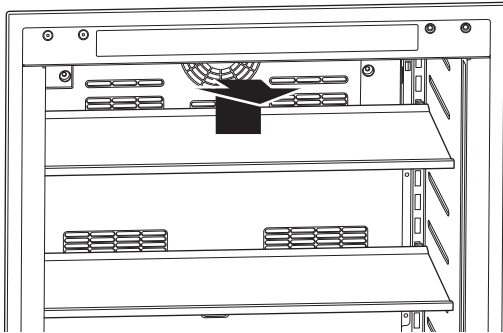
El compresor de alta eficiencia y los ventiladores pueden hacer su refrigerador funcionar por más tiempo que su refrigerador anterior. Puede que usted también escuche un sonido pulsado o agudo del compresor o ventiladores ajustándose para un desempeño óptimo.

- Un ruido de cascabeleo puede originarse del flujo del refrigerante o de artículos almacenados dentro del refrigerador.
- A medida que cada ciclo termina, usted podrá escuchar un sonido de gorgoteo debido al flujo del refrigerante en su refrigerador.
- Usted podrá escuchar agua corriendo en la bandeja de drenaje cuando el refrigerador es descongelado.
- Usted podrá escuchar sonidos de clics cuando el refrigerador empieza o para de funcionar.

Estantes del Refrigerador

Para quitar o ajustar los estantes superiores:

1. Retire el estante levantándolo y sacándolo de los soportes del estante.

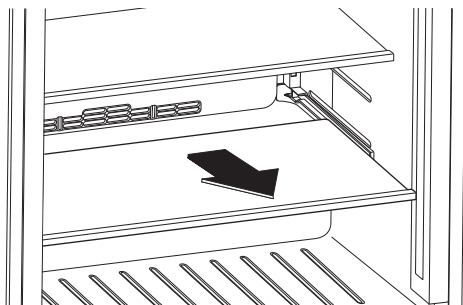


2. Vuelva a colocar el estante insertándolo en los soportes del estante.

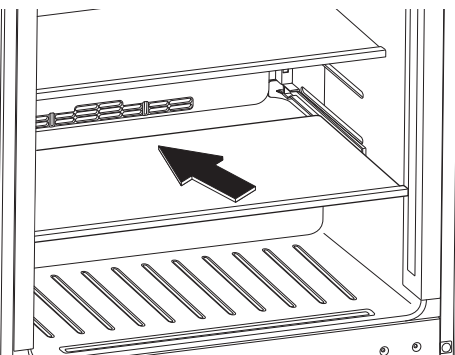
NOTA: Para retirar y volver a colocar el estante inferior asegúrese de que el estante esté nivelado.

El estante inferior se desliza hacia afuera:

1. El estante inferior se desliza hacia afuera.



2. Vuelva a colocar el estante alineando los bordes con las guías y empujándolo hacia la parte trasera del refrigerador.

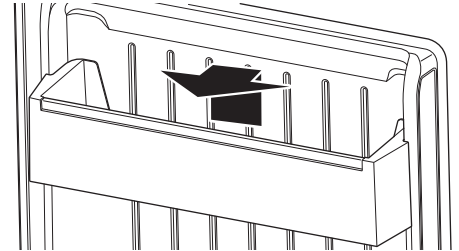


Compartimientos en las Puertas (modelos de puerta sólida)

Su refrigerador tiene dos ubicaciones con compartimientos para brindar una capacidad máxima de almacenamiento.

Para quitar y reemplazar los compartimientos de la puerta:

1. Retire el compartimiento de la puerta inclinándolo hacia adelante y sacándolo.
2. Vuelva a colocar el recipiente colocando la parte trasera del mismo bajo el soporte de la puerta y deslizando en su lugar.



Iluminación

El refrigerador tiene una luz interior que se ilumina cuando se abre la puerta.

NOTA: La luz es un LED que no necesita ser reemplazado. Si el LED no se ilumina cuando la puerta se abre, llame al servicio técnico. Consulte la sección "Asistencia" para obtener información de contacto.

CUIDADOS Y LIMPIEZA

Limpieza

⚠ ADVERTENCIA



Peligro de Explosión

Riesgo de incendio o explosión.

Refrigerante inflamable utilizado.

No use dispositivos mecánicos para descongelar el refrigerador.

No perforo la tubería del refrigerante.

Limpie el refrigerador una vez al mes para evitar el acúmulo de olores. Limpie derrames inmediatamente.

Para limpiar su Refrigerador:

1. Desconecte el refrigerador o la fuente de alimentación.
2. Retire todas las estanterías del interior del refrigerador.

3. Lave a mano, enjuague y seque las piezas removibles y las superficies interiores con atención. Utilice una esponja limpia o un paño y detergente suaves en agua caliente.

- Para evitar dañar dientes de madera y piezas de recorte, límpielos con una esponja limpia o un paño suave y agua caliente. No utilice detergente o sumerja la estantería entera en agua al limpiar.
- No utilice limpiadores abrasivos o duros, como limpiadores en aerosol de ventanas, limpiadores de fregar, fluidos inflamables, ceras de limpieza, detergentes concentrados, blanqueadores o limpiadores que contengan productos de petróleo en piezas de plástico, en el interior y en los revestimientos de las puertas o juntas. No utilice toallas de papel, estropajos u otras herramientas duras de limpieza. Estos pueden rayar o dañar los materiales.
- Para ayudar a eliminar olores, usted puede lavar las paredes interiores con una mezcla de agua caliente y bicarbonato de sodio [2 cucharitas para 1 qt (26 g para 0,95 L) de agua].

4. Lave acero inoxidable y exteriores de metal pintado con una esponja limpia o con un paño y detergente suaves en agua caliente. No utilice limpiadores abrasivos, limpiadores duros o limpiadores que contienen cloro. Estos pueden rayar o dañar los materiales. Seque inmediatamente con un paño suave y seco para absorber los restos de agua.

NOTA: Para mantener su refrigerador de acero inoxidable como nuevo y para eliminar rayas y marcas menores, se recomienda que utilice el limpiador y pulidora de acero inoxidable aprobados por el fabricante. Para más información sobre limpiadores, vea la sección "Accesorios".

IMPORTANTE:

- ¡Ese limpiador sirve solamente para piezas de acero inoxidable!
- No permita que el limpiador y pulidora de acero inoxidable entre en contacto con piezas de plástico, como las piezas de recorte, las tapas del dispensador o las juntas de la puerta. En caso de contacto no intencional, limpie la pieza de plástico con una esponja y detergente suave en agua caliente. Seque inmediatamente con un paño suave y seco para absorber los restos de agua.

5. Vuelva a colocar las estanterías.

Limpieza del condensador

⚠ ADVERTENCIA



Peligro de Explosión

Riesgo de incendio o explosión a causa de la perforación de la tubería del refrigerante.

Siga con cuidado las instrucciones de manipulación.

Refrigerante inflamable utilizado.

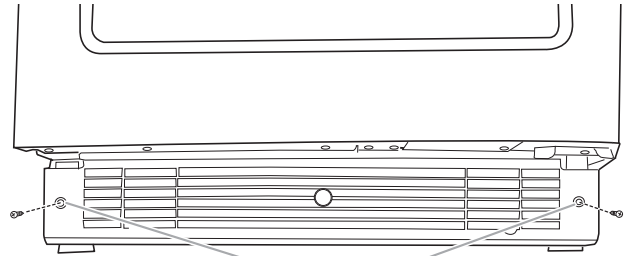
1. Retire la rejilla de la base para acceder al condensador para limpieza. Vea la sección "Para Quitar la Rejilla de la Base".
2. Limpie las bobinas del condensador regularmente. Estas están localizadas por detrás de la rejilla de la base. Las bobinas deben ser limpiadas una vez cada dos meses. Eso puede ayudar a ahorrar energía.

Removiendo la Rejilla de la Base

Debe quitarse la rejilla de la base para acceder a las bobinas del condensador para limpieza.

Para quitar la rejilla de la base:

1. Abra la puerta del refrigerador.



A. Tornillos

2. Utilizando un destornillador Phillips, retire los dos tornillos.
3. Retire la rejilla de la base.

Para sustituir la rejilla de la base:

1. Abra la puerta del refrigerador.
2. Coloque la rejilla de la base para que las dos pestañas se alineen y esta se encaje en la posición. Vuelva a poner los dos tornillos. Apriete los tornillos.

Cuidados de Vacaciones

Si elige apagar el refrigerador antes de partir, siga estos pasos.

1. Retire todos los alimentos y las bebidas del refrigerador.
2. Desconecte el refrigerador.
3. Limpie el refrigerador. Vea la sección "Limpieza".
4. Coloque una goma o un bloque de madera con una cinta adhesiva en la parte superior de la puerta para mantenerla suficientemente abierta para que el aire pueda entrar. Eso impedirá la acumulación de olores y moho.

Cuidados de Desplazamiento

Al mover su refrigerador a su nuevo hogar, siga estos pasos para prepararlo para el desplazamiento.

1. Retire todos los alimentos y las bebidas del refrigerador.
2. Desconecte el refrigerador
3. Limpie, frote y seque bien el refrigerador.
4. Retire todas las piezas removibles, envuélvelas bien y fíjelas con cinta para que no se desplacen y hagan ruidos durante la mudanza.
5. Cierre las puertas y prenda el cable de alimentación a el refrigerador con cinta.

Al llegar en su nuevo hogar, ponga todo en su respectivo lugar y consulte las "Instrucciones de Instalación" que ha recibido con el refrigerador.

RESOLUCIÓN DE PROBLEMAS

Intente las soluciones sugeridas aquí primero para evitar los costos de llamadas innecesarias de servicio de atención al cliente.

⚠ ADVERTENCIA



Peligro de Choque Eléctrico

Conéctelo en un tomacorriente de 3 polos con toma de tierra.

No retire la clavija con toma de tierra.

No utilice un adaptador.

No utilice una extensión eléctrica.

No seguir estas instrucciones podrá resultar en muerte, incendio o choque eléctrico.

FUNCIONAMIENTO EN GENERAL

Causas Posibles y/o Soluciones Recomendadas

El refrigerador no funciona

- **¿El cable de alimentación está desconectado?** Conéctelo en un tomacorriente de 3 polos con toma de tierra.
- **¿El tomacorriente está funcionando?** Conecte una lámpara para verificar si el tomacorriente está funcionando.
- **¿Fusible doméstico quemado o un disyuntor disparado?** Sustituya el fusible o reinicie el circuito. Si el problema persiste, llame a un electricista.
- **¿Los controles están encendidos?** Asegúrese de que los controles del refrigerador están encendidos. Consulte la sección "Controles".

Parece que el motor funciona por mucho tiempo

- **¿La temperatura externa está más elevada de lo normal?** Espere que el motor funcione por más tiempo en condiciones más calientes. Bajo temperaturas normales, espere que el motor funcione alrededor del 40 % al 80 % del tiempo. Bajo condiciones más calientes, espere que este funcione por más tiempo.
- **¿Se acaba de añadir una gran cantidad de alimentos al refrigerador?** Añadir una gran cantidad de alimentos calienta el refrigerador. Es normal que el motor funcione más tiempo para enfriar el refrigerador.
- **¿Las puertas se abren con frecuencia?** Espere que el motor funcione por más tiempo cuando eso se pasa. Para conservar energía, intente tomar todo lo que necesita del refrigerador de una sola vez. Guarde los alimentos organizados para que sean fáciles de encontrar y cierre la puerta después de retirar los alimentos.
- **¿Los controles se configuraron correctamente para las condiciones del ambiente?** Consulte la sección "Controles".
- **¿La puerta se cerró completamente?** Empuje la puerta con firmeza para cerrarla bien. Si la puerta no se cierra completamente, vea "La puerta no se cierra completamente", más adelante, en esta sección.
- **¿Las bobinas del condensador están sucias?** Eso obstruye la transferencia del aire y hace que el motor trabaje más duro. Limpie las bobinas del condensador. Vea la sección "Limpieza".

TEMPERATURA Y HUMEDAD**Causas Posibles y/o Soluciones Recomendadas**

La temperatura está demasiado caliente

- **¿Las puertas se abren con frecuencia?** Sepa que el refrigerador se calentará cuando eso pasa. Para mantener el refrigerador frío, intente tomar todo lo que necesita del refrigerador de una sola vez. Guarde los alimentos organizados para que sean fáciles de encontrar y cierre la puerta después de retirar los alimentos.
- **¿Se acaba de añadir una gran cantidad de alimentos al refrigerador?** Añadir una gran cantidad de alimentos calienta el refrigerador. El refrigerador puede pasar varias horas en volver a la temperatura normal.
- **¿Los controles se configuraron correctamente para las condiciones del ambiente?** Consulte la sección “Controles”.
- **¿La rejilla de la base está trabada?** Para un mejor desempeño, no instale el refrigerador por detrás de una puerta de alacena ni bloquee la rejilla de la base.

Hay acúmulo de humedad interior

- **¿Las puertas se abren con frecuencia?** Para evitar el acúmulo de humedad, intente tomar todo lo que necesita del refrigerador de una sola vez. Guarde los alimentos organizados para que sean fáciles de encontrar y cierre la puerta después de retirar los alimentos. Cuando la puerta es abierta, la humedad de la habitación entra en el refrigerador. Entre más se abra la puerta, más rápido la humedad se acumula, en especial si la habitación en sí es muy húmeda.
- **¿Está húmedo?** Es normal que la humedad se acumule en el interior del refrigerador cuando el aire está húmedo.
- **¿Están los alimentos empaquetados correctamente?** Compruebe que todos los alimentos estén bien envueltos. Limpie los contenedores de alimento húmedos antes de que se colocan en el refrigerador.
- **¿Los controles se configuraron correctamente para las condiciones del ambiente?** Consulte la sección “Controles”.

PUERTA**Causas Posibles y/o Soluciones Recomendadas**

! ADVERTENCIA

Peligro de Explosión
Utilice un limpiador no inflamable.
No hacerlo podrá resultar en muerte, explosión o incendio.

Es difícil abrir la puerta

- **¿El empaque está sucio y pegajoso?** Limpie la junta y la superficie que entra en contacto con ella. Aplique una delgada capa de parafina sobre la junta después de la limpieza.

La puerta no se cierra completamente

- **¿Los paquetes de alimentos están bloqueando la puerta abierta?** Reacomode los contenedores para que se ajusten más y ocupen menos espacio.
- **¿Las estanterías no están bien posicionadas?** Vuelva a insertar las estanterías en sus posiciones correctas. Consulte la sección “Estantes del Refrigerador” para obtener más información.
- **¿El empaque está pegajoso?** Limpie la junta y la superficie que entra en contacto con ella. Aplique una delgada capa de parafina sobre la junta después de la limpieza.

ASISTENCIA

Si necesita servicio:

Antes de llamar para solicitar asistencia o servicio, verifique "Resolución de problemas". Puede ahorrarle el costo de un servicio. Si aún necesita ayuda, siga las instrucciones a continuación.

Cuando llame, sepa la fecha de compra y el modelo completo y número de serie de su aparato.

Esta información nos ayudará a responder mejor a su solicitud. Consulte la página de garantía de este manual para obtener más información sobre el servicio.

Si necesita piezas de repuesto:

Los componentes deben reemplazarse por componentes similares y el servicio debe ser realizado por personal autorizado de la fábrica, para minimizar el riesgo de posible ignición debido a piezas incorrectas o servicio inadecuado.

En EE.UU.

Llame al centro para la eXperiencia del cliente de KitchenAid sin costo alguno al: **1-800-422-1230**.

Nuestros consultores ofrecen ayuda para:

- Características y especificaciones de nuestra línea completa de electrodomésticos.
- Información sobre la instalación.
- Procedimiento para el uso y mantenimiento.
- Venta de accesorios y partes para reparación.
- Asistencia especializada para el consumidor (habla hispana, problemas de audición, visión limitada, etc.).
- Recomendaciones con distribuidores locales, compañías que dan servicio y distribuidores de partes para reparación. Los técnicos designados por KitchenAid están capacitados para cumplir con la garantía de producto y ofrecer servicio una vez que la garantía termine, en cualquier lugar de Estados Unidos.

Para localizar a una compañía de servicio designada por KitchenAid en su área, también puede consultar la sección amarilla de su guía telefónica.

Para obtener asistencia adicional

Si necesita asistencia adicional, puede escribir a KitchenAid con sus preguntas o dudas a:

KitchenAid Brand Home Appliances
Customer eXperience Center
553 Benson Road
Benton Harbor, MI 49022-2692

Por favor incluya en su correspondencia un número de teléfono en el que se le pueda localizar durante el día.

En Canadá

Llame al Centro para la eXperiencia del cliente de KitchenAid en Canadá sin costo alguno al: **1-800-807-6777**.

Nuestros consultores ofrecen ayuda para:

- Características y especificaciones de nuestra línea completa de electrodomésticos.
- Procedimiento para el uso y mantenimiento.
- Venta de accesorios y partes para reparación.
- Recomendaciones con distribuidores locales, compañías que dan servicio y distribuidores de partes para reparación. Los técnicos designados por KitchenAid Canada están capacitados para cumplir con la garantía del producto y ofrecer servicio una vez que la garantía termine, en cualquier lugar de Canadá.

Para obtener asistencia adicional:

Si necesita asistencia adicional, puede escribir a KitchenAid Canada con sus preguntas o dudas a:

KitchenAid Canada
Customer eXperience Centre
200 – 6750 Century Ave.
Mississauga, Ontario L5N 0B7

Por favor incluya en su correspondencia un número de teléfono en el que se le pueda localizar durante el día.

Accesorios

Los siguientes accesorios están disponibles para su bodega. Para hacer un pedido de un accesorio, contáctenos y pida los números de pieza.

En EE.UU., visite nuestro sitio de internet en **www.kitchenaid.com/accessories** o llame al **1-800-442-9991**.

En Canadá, visite nuestro sitio de internet en **www.whirlpoolparts.ca** o llame al **1-800-807-6777**.

Limpiador de acero inoxidable

Pida la pieza No. 4396095

