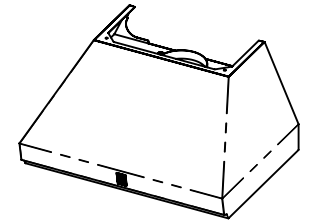
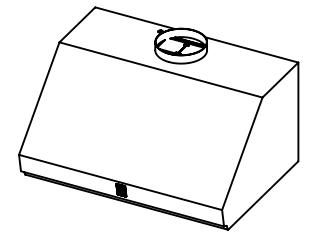


HESTAN

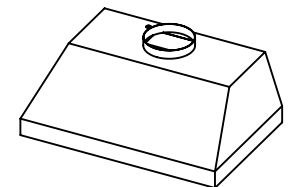
Indoor Ventilation KVC_{xx}, KVP_{xx}, KVL_{xx}, KVI_{xx} Parts List



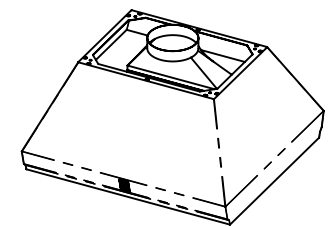
KVC36 CHIMNEY STYLE



KVP36 PRO CANOPY STYLE



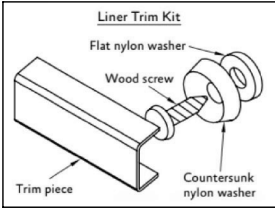
KVL36 LINER STYLE



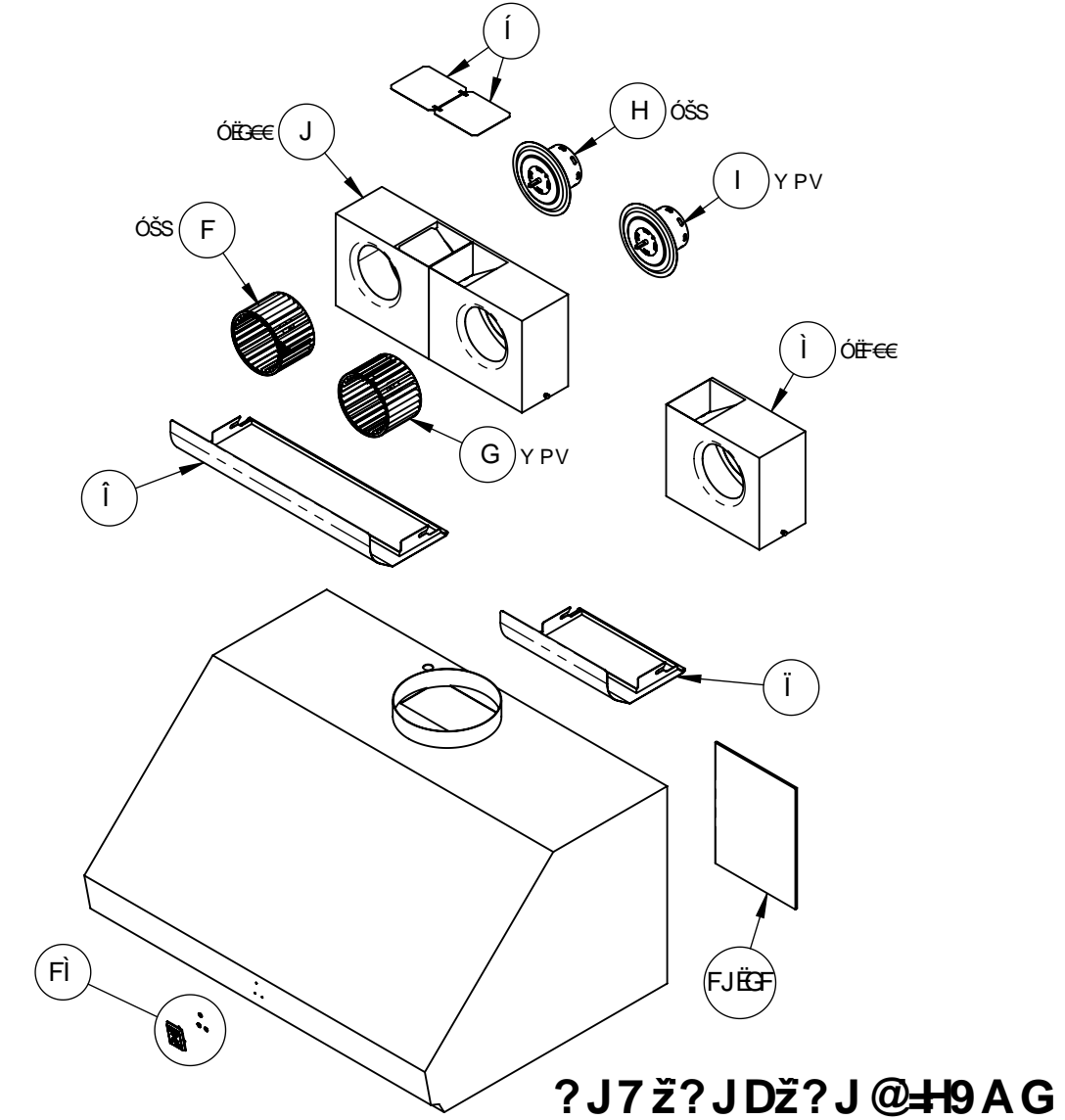
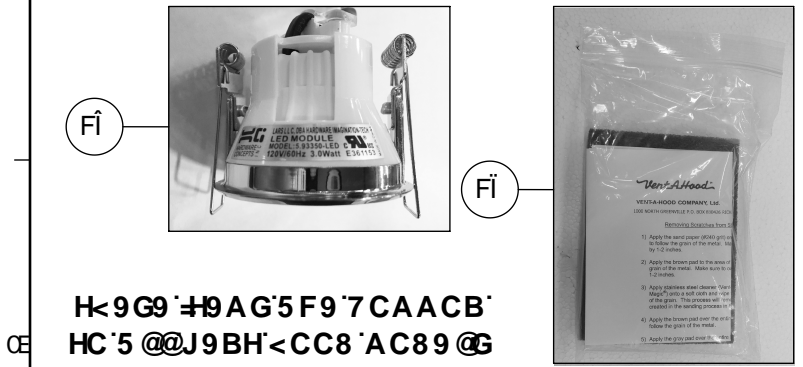
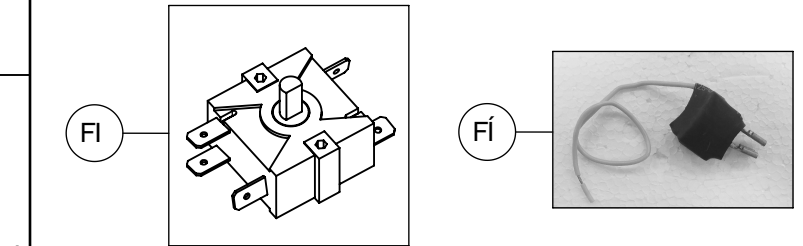
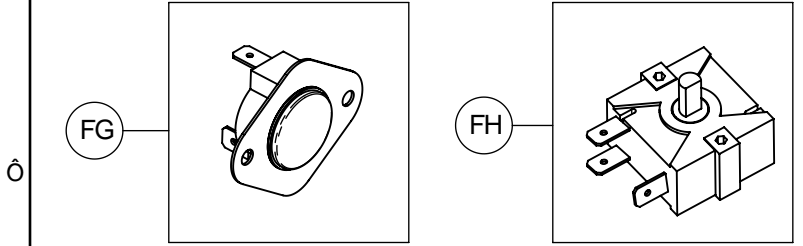
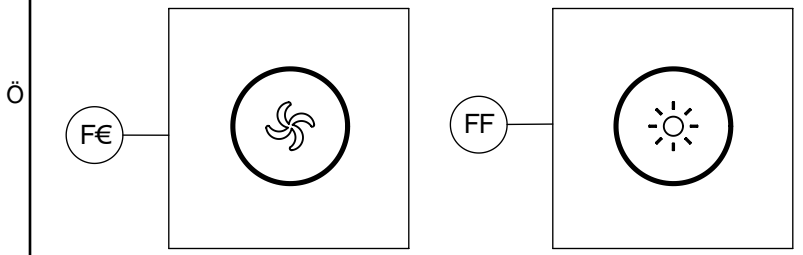
KVI36 ISLAND STYLE

Hestan Commercial Corporation
3375 E. La Palma Ave.
Anaheim, CA 92806
(888)905-7463

RETAIN THIS FOR FUTURE REFERENCE



-B8CCF`J9BH<CC8` AC89@	6@CK9F` 7CB: 1F5HCB
SXÔHĤASXŪHĤASXSĤE	QDÖĚĚĚ
SXÔHĤASXŪHĤASXSĤİ	QDÖĚĚĚ
SXÔIĤASXŪHĤASXSİG	QDÖĚĚĚBAQDÖĚĚĚ
SXÔIĤASXSİİ	QDÖĚĚĚBAQDÖĚĚĚ
SXÔIĤASXŪHĤASXSİİ	QDÖĚĚĚ



H<9G9`#9AG`5F9`7CAACB`
HC`5 @@J9BH<CC8`AC89`G

?J7Ž?JDŽ?J@H9AG



DFCDF@H5FM
P U A C E V A U G P Q U O V T C B A C O U U O V M C C B
U V U U C Q A B U O U G X E S A Y V U T B U A U S B U T Q V C C B A
C B Y A U T B Y Q P U W A P O Y U Q V C A U O T Q U Q P A U G A
P U A Q I (1 2 3 4 5 6) (1 2 3 4 5 6) B P Q U O V T C B V A U A B Y
O U U B U P S S C O U V W U P O C A W U P X U Q V C A U O V U O V U E

G9FJ=79žJ9BH@HCB<CC8Gž
?J7II`#?JDII`#?J@I`#?J=I

?JLLL!G9FJ=79

ÚOX@P
6
UPOOVUE
FÁUÁ

VENTILATION PARTS LIST

KVCxx / KVPxx / KVLxx

Nov. 01, 2022

DWG. BALLOON #	HESTAN P/N	Description	NOTES
1	025050	WHEEL, BLOWER, CCW ROTATION, BLACK, VENT HOOD	
2	025049	WHEEL, BLOWER, CW ROTATION, WHITE, VENT HOOD	
3	025068	MOTOR, BLOWER, 1-SPEED, CCW ROTATION (BLACK), VENT HOOD	
4	025067	MOTOR, BLOWER, 2-SPEED CW ROTATION (WHITE), VENT HOOD	
5	025051	DAMPER, BLOWER HOUSING, PLASTIC, VENT HOOD	
6	022864	BLOWER SHIELD, DUAL, VENTILATION (B-200)	
7	023330	BLOWER SHIELD, SINGLE, VENTILATION (B-100)	
8	022870-XX	BLOWER HOUSING, SINGLE, VENTILATION (B-100/T-200)	SEE NOTE 1
9	022872-XX	BLOWER HOUSING, DUAL, VENTILATION (B-200/T-400)	SEE NOTE 1
10	025053	ROTARY KNOB, BLOWER, VENT HOOD	
11	025054	ROTARY KNOB, LIGHTING, VENT HOOD	
12	025065	THERMOSTAT, SENSOR, VENT HOOD	
13	025072	SWITCH, ROTARY, B100 BLOWER/LED LIGHT, VENT HOOD	
14	025073	SWITCH, ROTARY, B200 BLOWER, VENT HOOD	
15	025074	DIMMER PACK, LED LIGHTS, VENT HOOD	
16	025075	LED LIGHT, INTEGRATED, VENT HOOD	
17	025076	KIT, STAINLESS SCRATCH REPAIR, VENT HOOD	
18	021388	SERVICE, SMALL HESTAN LOGO W/ RETAINING RINGS	
19	022654	MANUAL, INSTALL / USE & CARE, VENT HOOD - PRO CANOPY	
20	022655	MANUAL, INSTALL / USE & CARE, VENT HOOD - LINER	
21	022656	MANUAL, INSTALL / USE & CARE, VENT HOOD - CHIMNEY	
22	041602	TRIM KIT, LINER HOOD, KVL30	
23	041603	TRIM KIT, LINER HOOD, KVL36	
24	041604	TRIM KIT, LINER HOOD, KVL42	
25	041605	TRIM KIT, LINER HOOD, KVL48	
26	041607	TRIM KIT, LINER HOOD, KVL54	

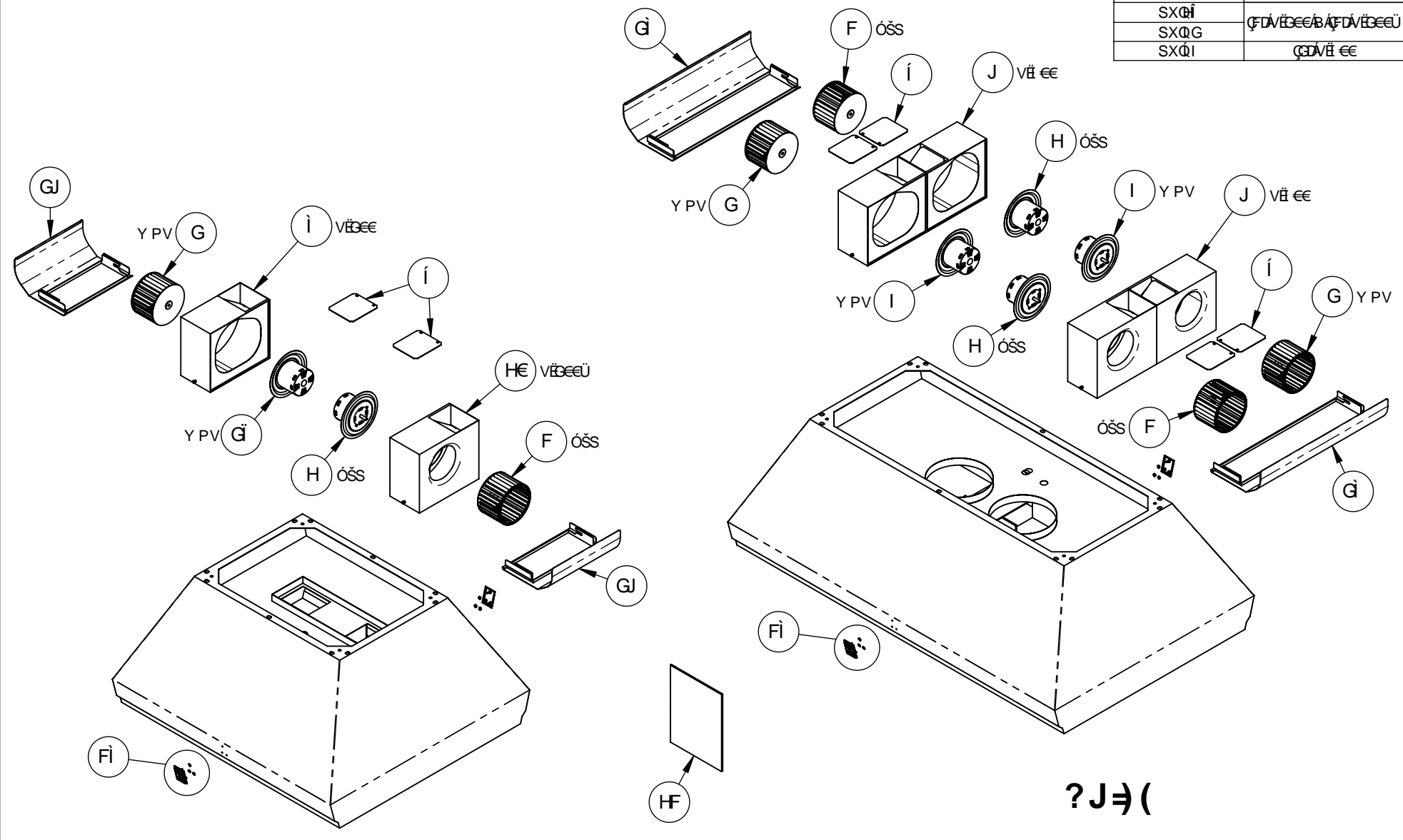
-B8CCF'J9BH<CC8' AC89@	6@CK9F' 7CB: 1 F5HCB
SX0H ASXUH ASXSHE	FD0E
SX0H ASXUH ASXSHE	FD0E
SX0I ASXUI ASXSIG	FD0E-BAFD0E
SX0I ASXUI ASXSIG	FD0E-BAFD0E
SX0I ASXUI ASXSIG	FD0E

COLOR CODE	DESCRIPTION
	STAINLESS STEEL
-BK	STEALTH - BLACK
-WH	FROTH - WHITE
-RD	MATADOR - RED
-YW	SOL - YELLOW
-OR	CITRA - ORANGE
-BG	TIN ROOF - BURGUNDY
-PP	LUSH - PURPLE
-BU	PRINCE - BLUE
-GR	GROVE - GREEN
-GG	PACIFIC FOG - DARK GRAY
-TQ	BORA BORA - TURQUOISE

PUV0UK
 FD0A YUWA KOPVA PUUOQVADZCE PVOAT UOOSASOCUOAUOOCY OUSUUAOUOE
 ANVCEP S0UUAJV00SA UOOSUAMUUSO0AY QP A20PVEUCY P UWUQ OAEUAVP OCEUOE
 ANVCEP O0CT UOUUQOT A D0 OSW000AY QPAPAUAJE

	DFCD F9H5FM PUA0EVAUA PQA0U0MT QP VIT QP A00U0U0U0M000A UVU000P ABU0U0X0E0AYV0T BUUAU0BP0T QV000A QP YAU0T BY QP UWA0P0AY U0V0P A0UT Q00P AUA P**00 A0 ((A0000)) 000 BVP00U0MT QP VUUA0BY OUUBUAP00000U0VU0P00WU0P Y U0V0P A0U0VU0VE	0000000000	G9FJ=79ZJ9BH<HCB'<CC8 Gz ?J7II #?JDII #?J@I #?J#I	0000 0000	?JLLL!G9FJ=79	U0000000 6 U00000UE GAUQA
--	---	------------	--	-----------	---------------	---

-B8CCF'J9BH' <CC8'AC89@.	6@CK9F' 7CB: ÷ I F5HCB
SXQI	QD'VEE'BA'QD'VEE'Ü
SXQG	QD'VEE'Ü
SXQI	QD'VEE'Ü



? J ± * Ž ? J ≠ &

? J ≠ (

VENTILATION PARTS LIST

KVIxx (Island)

Nov. 01, 2022

DWG. BALLOON #	HESTAN P/N	Description	NOTES
3	025068	MOTOR, BLOWER, 1-SPEED, CCW ROTATION (BLACK), VENT HOOD	
27	046232	MOTOR, BLOWER, 1-SPEED CW ROTATION (WHITE), VENT HOOD	
4	025067	MOTOR, BLOWER, 2-SPEED CW ROTATION (WHITE), VENT HOOD	
28	031750	BLOWER SHIELD, ISLAND, VENTILATION (T-400)	
29	031626	BLOWER SHIELD, ISLAND, VENTILATION (T-200)	
8	022870-XX	BLOWER HOUSING, SINGLE, VENTILATION (B-100/T-200)	SEE NOTE 1
9	022872-XX	BLOWER HOUSING, DUAL, VENTILATION (B-200/T-400)	SEE NOTE 1
30	031619-XX	BLOWER HOUSING, SINGLE, REVERSE, VENTILATION (T-200R)	SEE NOTE 1
31	031628	MANUAL, INSTALL / USE & CARE, VENT HOOD - ISLAND	

B8CCF J9BH <CC8 AC89@	6@CK 9F 7CB: I F5HCB
SX@I	FDV@CB@AFDV@CB@U
SXQG	GDV@CB@U
SXQI	GDV@CB@U

COLOR CODE	DESCRIPTION
	STAINLESS STEEL
-BK	STEALTH - BLACK
-WH	FROTH - WHITE
-RD	MATADOR - RED
-YW	SOL - YELLOW
-OR	CITRA - ORANGE
-BG	TIN ROOF - BURGUNDY
-PP	LUSH - PURPLE
-BU	PRINCE - BLUE
-GR	GROVE - GREEN
-GG	PACIFIC FOG - DARK GRAY
-TQ	BORA BORA - TURQUOISE

PUV00K

FD@YUWA@OPVA PUU@O@A@U@CB@ VO@T UO@S@A@S@O@O@A@U@O@O@Y@OU@S@U@U@O@O@E
 @@U@V@C@P@S@O@U@A@V@O@S@T@U@O@O@S@U@M@U@S@O@O@A@Y@P@C@S@O@P@V@E@U@C@Y@P@U@W@C@O@A@U@V@C@P@O@C@U@O@E
 @@U@S@E@V@O@C@T@U@O@U@A@Q@O@T@A@D@O@S@W@O@O@A@Y@P@A@P@O@A@U@C@E@V@E



DFC DF-9 H5 FM
 P U A I O E V A U Z A P Q @ U O W T Q E V A T Q E A O O U O U U O W O O C A
 U V U U O O C P A B U O U D X G S A Y V O T S U U A U S B U T Q V O C O A
 C B Y A U U T E Y Q P U W A P O A Y U Q V C P A O U T Q U Q P A U O A
 P ** @ I Q I (A @ @ @ Q I) | (@) B P Q @ U O W T Q E V A U U A B Y
 O U U @ U A P @ S S C O A V O W U P O C W U P A Y U Q V C A I O U V O U E

**G9FJ=79ZJ9BH@HCB<CC8Gz
 ?J7II #?JDII #?J@I #?J=I**

?JLLL!G9FJ=79

6
 UPO@V@U@E
 IAU@A