



INDOOR COOKING

Vent Hood – Island
KVI

Installation, Use and Care Manual

 HESTAN

⚠️ WARNING

IF THE INFORMATION IN THIS MANUAL IS NOT FOLLOWED EXACTLY, A FIRE OR EXPLOSION MAY RESULT CAUSING PROPERTY DAMAGE, PERSONAL INJURY, OR DEATH.

Do not store or use gasoline or other flammable vapors and liquids in the vicinity of this or any other appliance.

Installation and service must be performed by a qualified installer or service agency.

DO NOT REPAIR, REPLACE OR REMOVE ANY PART OF THE APPLIANCE UNLESS SPECIFICALLY RECOMMENDED IN THE MANUAL. IMPROPER INSTALLATION, SERVICE OR MAINTENANCE CAN CAUSE INJURY OR PROPERTY DAMAGE. REFER TO THIS MANUAL FOR GUIDANCE. ALL OTHER SERVICING SHOULD BE DONE BY A HESTAN AUTHORIZED SERVICE TECHNICIAN.

READ THESE INSTRUCTIONS CAREFULLY AND COMPLETELY BEFORE INSTALLING OR USING YOUR APPLIANCE TO REDUCE THE RISK OF FIRE, BURN HAZARD, OR OTHER INJURY. KEEP THIS MANUAL FOR FUTURE REFERENCE.

SAFETY DEFINITIONS

⚠️ WARNING THIS INDICATES THAT DEATH OR SERIOUS INJURY MAY OCCUR AS A RESULT OF NOT OBSERVING THIS WARNING.

⚠️ CAUTION THIS INDICATES THAT MINOR OR MODERATE INJURY MAY OCCUR AS A RESULT OF NOT OBSERVING THIS WARNING.

NOTICE THIS INDICATES THAT DAMAGE TO THE APPLIANCE OR PROPERTY MAY OCCUR AS A RESULT OF NOT OBSERVING THIS WARNING.

INSTALLER: LEAVE THIS MANUAL WITH THE OWNER OF THE APPLIANCE.

HOMEOWNER: RETAIN THIS MANUAL FOR FUTURE REFERENCE.

Message from Hestan:

Hestan's award-winning culinary innovations and purpose-built features reinvented the restaurant kitchen and redefined culinary experience in some of America's most acclaimed restaurants. Hestan now takes this performance from the back of the house and puts it front and center in yours. Thoughtfully designed and meticulously built, Hestan will serve you beautifully for years to come.

Hestan is the only residential brand born from the dreams and demands of professional chefs. From ranges to refrigeration, every detail is designed to deliver the performance and reliability expected in a restaurant – now available for you.

We appreciate you choosing Hestan, and we promise to deliver the very best to you.

Welcome to Hestan



TABLE OF CONTENTS

1	SAFETY PRECAUTIONS - BEFORE YOU BEGIN
4	MODEL NUMBERS
4	RATING LABEL
5	REGULATORY / CODE REQUIREMENTS
5	USING THE VENTILATION SYSTEM
6	CLEANING AND MAINTENANCE
9	TROUBLESHOOTING
10	DUCTING DO'S AND DON'TS
11	INSTALLATION
15	VENT ACCESSORIES
16	DUCT COVERS
17	PARTS / SERVICE
17	LIMITED WARRANTY

EN

SAFETY PRECAUTIONS - BEFORE YOU BEGIN

When properly cared for, your Hestan ventilation system will provide safe, reliable service for many years. When using this ventilation system, basic safety practices must be followed as described in the following pages.

IMPORTANT: Save these instructions for the local Utility Inspector's use.

INSTALLER: Please leave these Installation Instructions with the owner.

OWNER: Please read these Instructions and save them for future reference.

⚠️ WARNING

ELECTRICAL SHOCK HAZARD

It is the responsibility of the user to have the appliance connected by a licensed electrician in accordance with all applicable codes and standards, including fire-related construction. See step 10 - "WIRING CONNECTION:" on page 15 for details.



ELECTRICAL SUPPLY AND GROUNDING

- This appliance must be grounded. See step 10 - "WIRING CONNECTION:" on page 15 for details.
- This appliance must be connected to 120 VAC Single Phase, 60 Hz, with a 20 amp dedicated circuit.
- **OWNER:** Have the installer show you where the electric circuit breaker is located so you know how to shut off the power to this appliance.

Suitable for use in covered outdoor applications when installed in a GFCI protected branch circuit.

SAFETY PRECAUTIONS - BEFORE YOU BEGIN (CONT.)

EN

GENERAL SAFETY PRECAUTIONS

When properly cared for, your new Hestan ventilation hood has been designed to be a safe, reliable ventilation system. Read all instructions carefully before using this ventilation system. When using kitchen appliances, basic safety precautions must be followed.

▲WARNING TO REDUCE THE RISK OF FIRE, ELECTRIC SHOCK, OR INJURY TO PERSONS, OBSERVE THE FOLLOWING:

- a) Use this ventilation system only as intended by the manufacturer. If you have any questions, contact the manufacturer.
- b) Before servicing or cleaning unit, switch power off at service panel and lock the service disconnecting means to prevent power from being switched on accidentally. When the service disconnecting means cannot be locked, securely fasten a prominent warning device, such as a tag, to the service panel.

▲WARNING FOR GENERAL VENTILATING USE ONLY. DO NOT USE TO EXHAUST HAZARDOUS OR EXPLOSIVE MATERIALS AND VAPORS.

▲WARNING TO REDUCE THE RISK OF A RANGE TOP GREASE FIRE:

- a) Never leave burners or surface units unattended at high settings. Boilovers cause smoking and greasy spillovers that may ignite. Heat oils slowly on low or medium settings.
- b) Always turn hood ON when cooking at high heat or when flambéing food (i.e. Crepes Suzette, Cherries Jubilee, Peppercorn Beef Flambé).
- c) Clean ventilating fans frequently. Grease should not be allowed to accumulate on fan or filter.
- d) Use proper pan size. Always use cookware appropriate for the size of the burner or surface element.

▲WARNING TO REDUCE THE RISK OF INJURY TO PERSONS, IN THE EVENT OF A RANGE TOP GREASE FIRE, OBSERVE THE FOLLOWING *:

- a) SMOTHER FLAMES with a close-fitting lid, cookie sheet, or metal tray, then turn off the burner. BE CAREFUL TO PREVENT BURNS. If the flames do not go out immediately, EVACUATE AND CALL THE FIRE DEPARTMENT.
- b) NEVER PICK UP A FLAMING PAN - You may be burned.
- c) DO NOT USE WATER, including wet dish cloths or towels - a violent steam explosion will result.
- d) Use an extinguisher ONLY IF:
 - 1. You have a Class ABC or Class K fire extinguisher and you already know how to operate it.
 - 2. The fire is small and contained in the area where it started.
 - 3. The fire department is being called.
 - 4. You can fight the fire with your back to an exit.

* Based on "Kitchen Fire Safety Tips" published by NFPA.

SAFETY PRECAUTIONS - BEFORE YOU BEGIN (CONT.)

▲WARNING

EN

BURN HAZARD

This ventilation system is intended for use with ranges or cooktops, which can get very hot during operation. Observe the warnings and cautions for the cooking appliance.

This ventilation system should be serviced only by a Hestan authorized service technician. Contact the nearest authorized service center for examination, repair or adjustment.

Do not repair or replace any part of the system unless specifically recommended. Refer service to an authorized servicer.

Do not operate this ventilation system if it is not working properly or if it has been damaged, until an authorized servicer has examined it.

Install or locate this ventilation system only in accordance with the Installation section of this manual. Do not cover or block any openings on this ventilation system.

It is highly recommended that a suitable kitchen fire extinguisher (Class ABC or K) be readily available and highly visible next to any cooking appliance.

SAFETY DURING CLEANING

Clean only ventilation system parts listed in this manual, in the manner specified in this manual.

Note: the “ventilating fans” and “filter” in the previous warnings refer to the blower wheels, blower housing(s), and blower shield(s). See “CLEANING” on page 7 for parts identification and cleaning instructions.

THIS MANUAL SHOULD REMAIN WITH THE HOMEOWNER FOR FUTURE REFERENCE.

MODEL NUMBERS

EN

MODEL NO.	DESCRIPTION	BLOWER PACKAGE
KVI36	36" Island-Style 550 cfm Kitchen Ventilation System	T200 Dual
KVI42	42" Island-Style 550 cfm Kitchen Ventilation System	T200 Dual
KVI54	54" Island-Style 1100 cfm Kitchen Ventilation System	T400 Quad

POWER AND FLOW RATINGS

Blower Package	Amps	CFM SP@0.0"	Equivalent CFM **	CFM SP@0.1"	CFM SP@0.2"	CFM SP@0.3"	Minimum Round Duct Size	Sones ***
T200 Dual	4.0	550	900	507	471	431	8" (50 in. ²)	6.0
T400 Quad	7.5	1100	1800	998	855	774	12" (113 in. ²)	6.4

All units 115 VAC 60 Hz 1550 RPM

* Static Pressure in inches water column.

** When comparing the Hestan system with blower units made by other manufacturers, use the "Equivalent CFM".

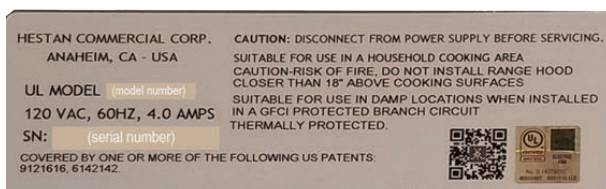
*** Ratings in accordance with the Standard Test Code by the Energy Systems Laboratory of the Texas Engineering Experiment Station.

RATING LABEL

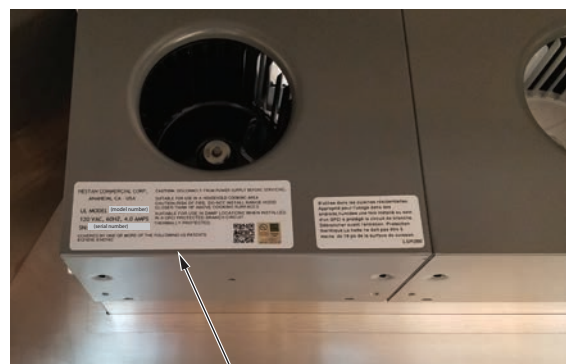
The rating label contains important information about your Hestan appliance such as the model and serial number, electrical rating and the minimum installation clearances.

The rating label is located on the blower housing.

If service is necessary, contact Hestan Customer Care with the model and serial number information shown on the label.



Typical rating label



Rating label location

REGULATORY / CODE REQUIREMENTS

Installation of this ventilation system must be made in accordance with local codes. In the absence of local codes, this unit should be installed in accordance with the National Electrical Code and local codes.

This appliance must be electrically grounded in accordance with local codes or in the absence of local codes with the National Electrical Code *ANSI/NFPA 70*, or Canadian Electrical code *CSA C22.1*.

EN

USING THE VENTILATION SYSTEM

FEATURES OF THE VENTILATION SYSTEM

Speed controls are provided for each blower assembly. Two-blower systems will have one speed control knob, while four-blower systems will have two speed control knobs.

A control knob is provided for lighting intensity.

The controls layout will be similar to that shown below.

USING THE HOOD

The user can start with the a hood on the lowest setting, and then increase speed and/or turn on additional blowers as required. Using the hood at high settings may increase heating or air conditioning requirements and costs for the house.

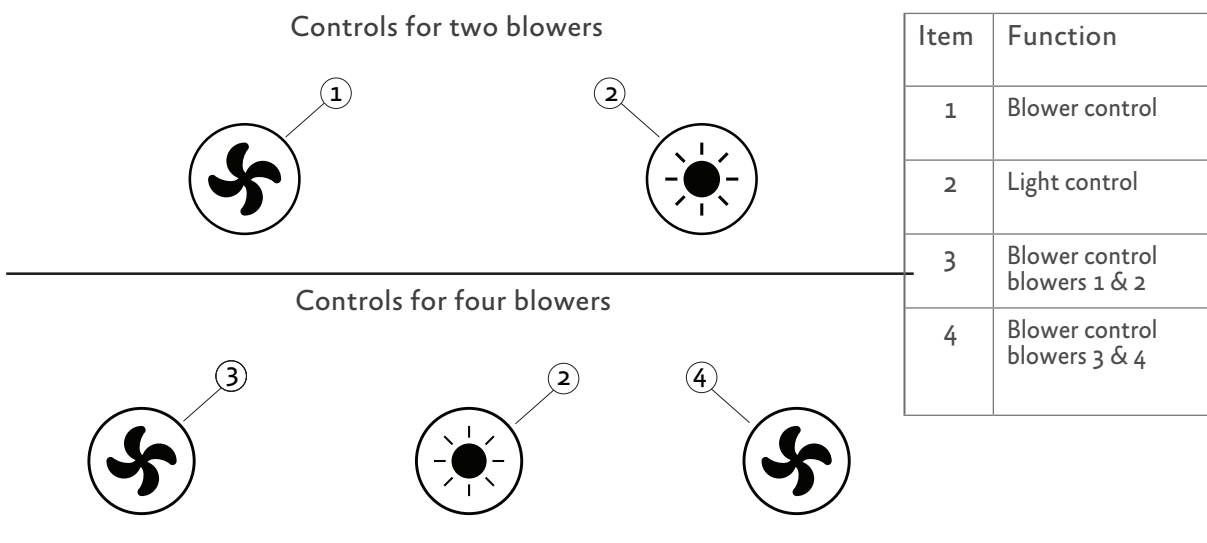
BLOWER CONTROL KNOB

To operate the blower(s), rotate the knob through the blower speed settings by turning it clockwise (facing the knob).

Rotate the knob counter-clockwise to reduce the blower speed.

LIGHT CONTROL KNOB

To operate the lights, rotate the knob through the light intensity settings by turning it clockwise (facing the knob). Rotate the knob counter-clockwise to dim the lights or turn them off.



CLEANING AND MAINTENANCE

EN

CLEANING THE VENTILATION SYSTEM

Cleaning requirements depend completely on usage and environment. The more high-heat and/or greasy cooking, the more often the hood and blower will need cleaning.

The grease tray and blower aren't visible from the outside, so they must be removed for inspection.

After you've inspected the tray a few times over the course of six months or a year, you'll be able to set a cleaning schedule according to your usage pattern.

HOOD CANOPY

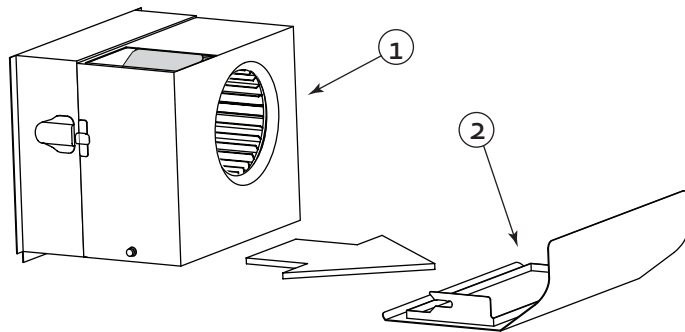
Wipe down the interior and exterior of the hood as needed with a soft cloth and warm soapy water (liquid dish detergent is acceptable). Do not use acids, abrasives, strong detergents, solvents, or scouring pads. Stainless steel should be treated with a quality stainless steel cleaner such as Stainless Steel Magic®. Follow all label instructions. Do not polish across the grain or in circles.

BLOWER HOUSING AND SHIELD

▲WARNING To reduce the risk of personal injury, be sure the power is turned off in the hood before removing the shield(s) and blower housing(s).

The blower captures grease by-products in the blower housing(s) and blower shield(s). The blower shields require more frequent cleaning than the blower housing, but cooking usage determines how often each item will need to be cleaned.

Item #	Description
1	Blower housing with damper(s)
2	Blower shield



BLOWER SHIELD REMOVAL

The blower shields are easily removed for cleaning by pulling the blower shield(s) away from the blower housing in the direction shown above.

NOTICE Be careful to keep the tray level if the hood has been recently used and the grease might still be warm.

Inspect and clean the blower shield (Details follow)

BLOWER HOUSING REMOVAL

To remove the blower housing:

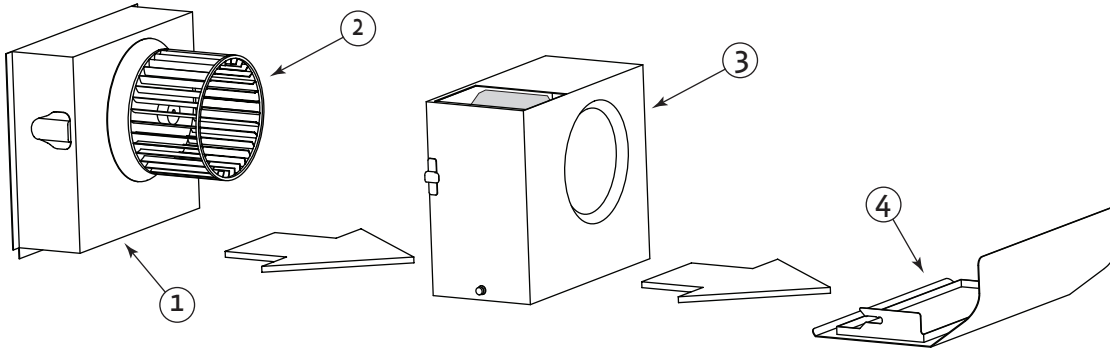
1. Unsnap two suitcase latches, one on each side of the housing.
2. Support the housing and pull it away from the blower base.
3. While pulling it back, gently "tip" it downward to clear the blower wheel(s).

CLEANING AND MAINTENANCE (CONT.)

CLEANING

Clean the shield(s) and/or blower housing(s) in a sink of warm soapy water (liquid dish detergent) and let soak for a few minutes. Wash with a sponge or dishcloth, rinse and let drain before reinstalling. Alternatively, the blower housing(s) and blower shield(s) may be placed into a dishwasher.

EN



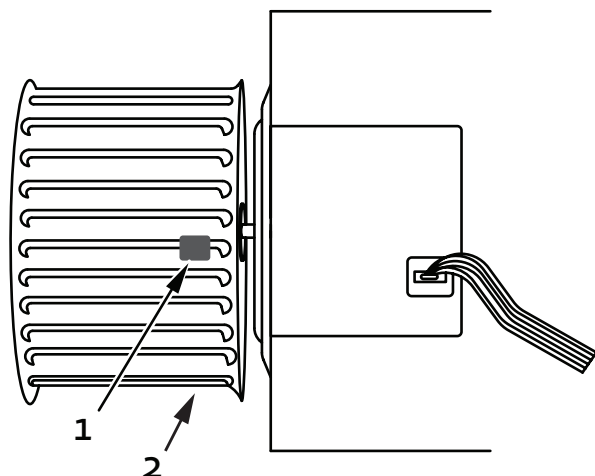
Item #	Description
1	Motor housing
2	Wheel
3	Blower housing with damper(s)
4	Blower shield

⚠ WARNING To reduce the risk of personal injury, be sure the power is turned off in the hood before removing the shield(s) and blower housing(s).

Regular cleaning of the blower housing should prevent grease accumulation on the blower wheel. If grease build-up should occur, the blower wheel may easily be cleaned in place using a soft bristle toothbrush and a common degreaser such as Formula 409®.

NOTICE Take care not to move or lose the metal balancing clips that may be affixed to the wheel.

Item #	Description
1	Balancing clip
2	Blower wheel



CLEANING AND MAINTENANCE (CONT.)

EN

BLOWER WHEEL REMOVAL

For instances where the blower wheel must be removed, follow the instructions below.

- Removing the blower wheel requires a 1/8" hex wrench. This may be obtained from your local hardware store or tool supply.

The wheel is retained by a set screw on the side of the hub of the wheel that tightens up against a "flat" spot on the motor shaft.

1. Locate the set screw on the side of the hub of the wheel.
2. Insert wrench through the blades of the blower wheel and into the set screw.
3. Loosen the set screw 1/2 turn counterclockwise.

If the wheel is difficult to remove, the area where the motor shaft makes contact with the blower wheel hub may need to be sprayed with a common penetrating oil such as WD-40®.

After allowing the penetrating oil to soak for a few minutes, push the blower wheel forward slightly, then gently pull the blower wheel off the motor shaft.

- Use caution to avoid bending or distorting the blower wheel and take care not to move or lose the metal balancing clips that may be affixed to the wheel.

A soft bristle toothbrush with warm soapy water may be used to clean the blades, or soak the blower wheel in warm soapy water.

BLOWER WHEEL INSTALLATION

When reinstalling the wheel onto the motor shaft, make sure the set screw makes direct contact with the "flat spot" on the motor shaft.

1. Slide the blower wheel onto the motor shaft as far as it will go, making sure the back of the blower wheel does not touch the motor mount screws protruding from the motor.
- If the wheel is too far back, it will rub the motor mount screws, and if it is too far forward, it will rub the inside of the blower housing.
2. Adjust the blower wheel slightly to find the correct front-to-rear location.
3. Tighten the set screw (clockwise) to lock the blower wheel in the correct position.

NOTICE For hoods that have more than one blower wheel, make sure that white blower wheels are matched up with white motor rings, and black blower wheels are matched up with black motor rings.

The hood will not perform properly if blower wheels and motors are mismatched.

MOTOR REPLACEMENT

WARNING To reduce the risk of personal injury, turn off power to the hood at the breaker or the circuit disconnect before attempting to remove the blower motor.

MOTOR IDENTIFICATION AND POSITIONING

Motors are color-coded; black and white motors have different rotations and must be installed in the correct positions.

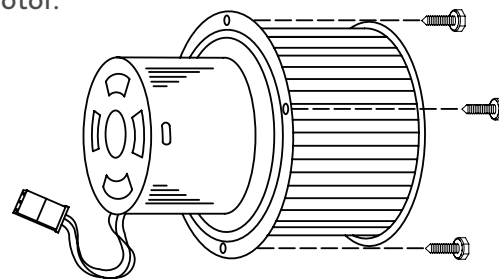
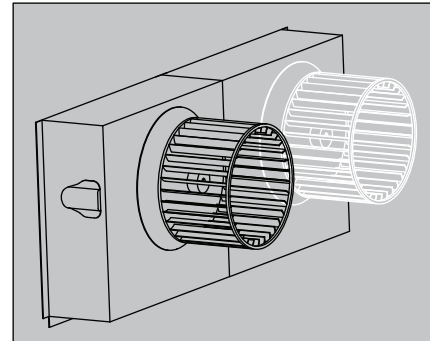
- Housings with a single blower use a white blower and wheel.
- Housings with two blowers use a white blower on the right and black on the left.

CLEANING AND MAINTENANCE (CONT.)

Make sure you have the correct motor in each housing position.

- If the replacement blower motor includes a blower wheel, then you can remove the motor and wheel together. If you will re-use your existing wheel, then you may wish to remove the wheel before removing the motor.

1. Remove the shield and blower housing as described on page 6.
2. Use a 1/4" nut driver to remove the three motor mount screws that attach the motor to the base.
3. Gently pull the motor forward and down.
4. Disconnect the wiring harness, remove the old motor.
- To avoid damage to the blower wheel, you may wish to install the motor and then install the wheel onto the motor.
5. Lift the new motor so you can connect the wiring harness. Be sure to fully engage the electrical connections and tighten the motor mount screws.
6. Check the blower wheel clearance and adjust as needed, as described in "BLOWER WHEEL INSTALLATION" on page 8.



LED LIGHT REPLACEMENT



WARNING To reduce the risk of personal injury, turn off power and allow lights to cool before proceeding.

LED LIGHTS

Replace the light with a genuine factory replacement part (Hestan P/N 025075)

1. Turn off power at the breaker.
2. Use caution when pulling down on the old light to prevent the springs from snapping back against your hand. See Fig 1. and Fig 2.

Fig 1.



CLEANING AND MAINTENANCE (CONT.)

EN

3. Once the light is hanging beneath the light panel (Fig 3), simply disconnect the old light from the harness via the quick connect adapter.
4. Remove and discard the wire and plug section from the harness on the new light. Connect the new light to the hood wiring harness via the quick connect adapter.
5. While securing the slack in the wires, feed the wires into the light panel and insert the new light into the panel opening. You will need to press the springs on the light far enough backward to be able to fit them into the light panel. Use caution when inserting the new bulb to prevent the springs from snapping back against your hand or the light casing.
6. Turn the power back on at the breaker and test all blower and light functions to ensure they are operating properly.

Fig 2.



Fig 3.



TROUBLESHOOTING

If the hood does not perform satisfactorily, check the following:

- Do the blowers run?
- Are the blower wheels installed on the correct motors? (black wheel on black motor, white wheel on white motor)
- Are the motor and wheel assemblies installed in the correct locations?
- Check the damper doors in blower housing(s) - do they move/open freely?
- Check the dampers/vents to outside - do they open freely, with no obstructions?
- Check for damaged or obstructed ductwork.

DUCTING DO'S AND DON'TS

GENERAL REQUIREMENTS

Observe local codes regarding special duct requirements and placement of duct work against combustibles.

- Using recommended transitions (included) will ensure proper efficiency.
- Using recommended roof caps or wall louvers (see VENT ACCESSORIES) will ensure proper efficiency.
- Use foil HVAC tape (not grey cloth duct tape) to seal all joints.
- The hood must be ducted to the outdoors without restrictions.

BLOWER REQUIREMENTS

The island dual blower unit (T200 = 550 CFM) used in 36" and 42" systems, outputs through the included transition to 8" round duct or equivalent. (50 sq. inches)

The 54" system uses a cluster of four blowers (T400 = 1100 CFM) which output through the included transition to 12" round duct or equivalent. (113 sq. inches)

DUCTING REQUIREMENTS (DO'S AND DON'TS)

- NEVER reduce the duct size. When combining ducts together, the square inch area of the outlet duct must be equal or greater than the total square inch area of the ducts being combined.
- Only use smooth galvanized metal duct. Do not use flexible or corrugated duct. This type of duct will restrict airflow and reduce performance.
- Make the duct run as short and as straight as possible with as few turns as possible.
- Avoid sharp-angled turns. Instead, use smooth, gradual turns such as adjustable elbows or 45 degree angled turns.
- For duct runs over 20 feet, increase the duct diameter by one inch for every ten feet of duct.
- When planning length, a 90 degree elbow is equivalent to 5 feet of duct.

TERMINATION REQUIREMENTS

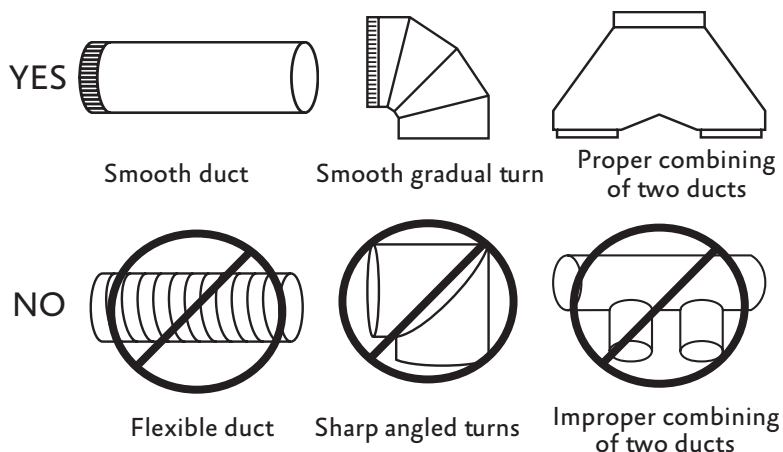
Airflow must not be restricted at the end of the duct run.

A wall louver or roof cap is required for each duct run.

Every wall louver or roof cap must include a gravity damper to prevent back drafts.

Do not use screen wire or spring-loaded doors on wall louvers or roof caps.

Do not terminate venting into an attic or chimney.



INSTALLATION

EN



WARNING TO REDUCE THE RISK OF FIRE, ELECTRIC SHOCK, OR INJURY TO PERSONS, OBSERVE THE FOLLOWING:

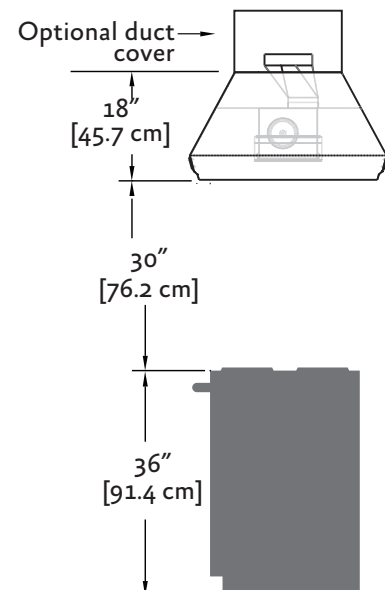
- a) Load-bearing framework in the ceiling is necessary for the installation of an island hood. Additional framework construction may be required. Do not attach an island hood to a structure that cannot support twice the weight of the hood and (optional) duct covers. For weights of hoods, see the Dimensions table on page 13, and “Duct Covers” on page 17.
- b) Installation work and electrical wiring must be done by qualified person(s) in accordance with all applicable codes and standards, including fire-rated construction.
- c) Sufficient air is needed for proper combustion and exhausting of gases through the flue (chimney) of fuel burning equipment to prevent back drafting. Follow the heating equipment manufacturer’s guideline and safety standards such as those published by the National Fire Protection Association (NFPA), and the American Society for Heating, Refrigeration, and Air Conditioning Engineers (ASHRAE) and the local code authorities.
- d) When cutting or drilling into ceiling, do not damage electrical wiring and other hidden utilities.
- e) Ducted fans must always be vented to the outdoors.



WARNING TO REDUCE THE RISK OF FIRE, USE ONLY METAL DUCTWORK.
TO REDUCE THE RISK OF FIRE OR ELECTRICAL SHOCK, DO NOT USE THIS BLOWER WITH ANY SOLID-STATE SPEED CONTROL DEVICE.

INSTALLATION DETAILS

1. Read all instructions thoroughly before beginning installation. Note: These instructions apply to Hestan’s hoods only.
 - See “DUCTING DO’S AND DON’TS” on page 11.
 - Weight and size: For safe installation, at least two people should be present to lift and hold the hood. For larger hoods and installations with duct covers, it is advisable to have a third person present to assist. For weights of hoods, see the Dimensions table on page 13, and “Duct Covers” on page 17.
2. When installing an island hood, it is recommended that the bottom edge of the hood be located no more than 30” above the cooking surface for optimum performance.
3. If using a duct cover:
 - a) Remove the duct cover from its packaging and remove the hood-mounting screws from the base of the duct cover.
 - b) Install the duct cover to the load-bearing framework in the ceiling using appropriate hardware through the four inside corner mounting flanges on the top of the duct cover.
4. Install the duct from outside the home, down to the location of the exhaust outlet on the top of the included transition of the hood, plus 1”. This will allow the transition to engage 1” inside of the duct. Consult the connection diagrams (on next page) for further details on exhaust outlet placement.
 - Use foil HVAC tape (not grey cloth duct tape) to seal all joints. See “VENT ACCESSORIES” on page 16 for a listing of available Hestan ducting materials.



INSTALLATION (CONT.)

CONNECTION HEIGHTS:

The hood will mount to a suitable structure or to an (optional) duct cover. The hood height and duct length will be determined by the height of the mounting surface.

Dual Blower (T200 = 550 CFM):

Top of included transition is 3" above top of hood.

The duct should extend to 2" above the hood mounting surface.

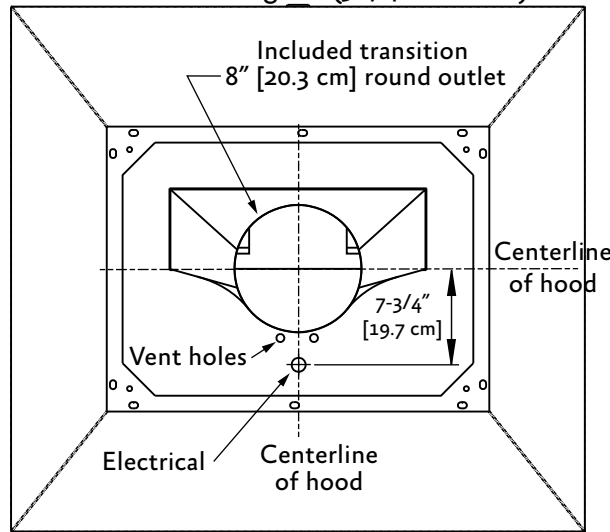
Quad Blowers (T400 = 1100 CFM):

Top of included transition is 5-1/4" above top of hood.

The duct should extend to 4-1/4" above the hood mounting surface.

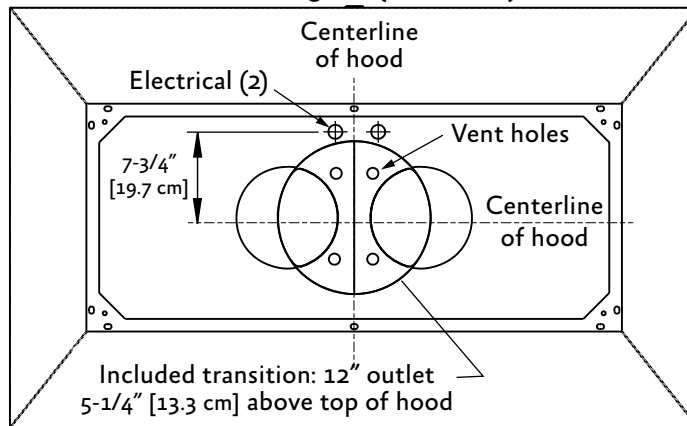
CONNECTION DIAGRAMS

Connection Diagram (36, 42" models)



T200 Dual Blower (550 CFM) (Top View)

Connection Diagram (54" model)

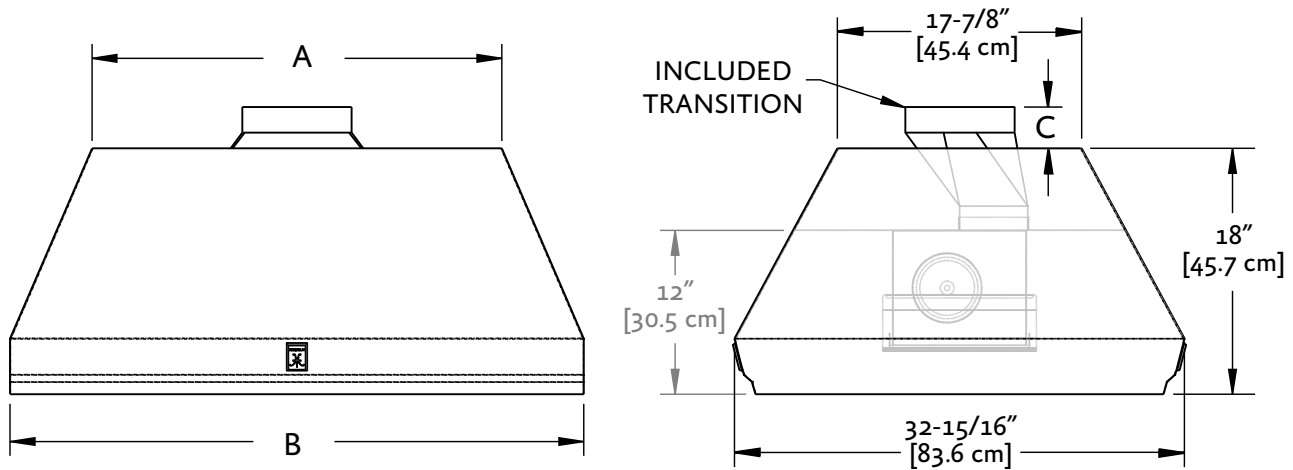


T400 - Quad Blowers (1100 CFM) (Top View)

INSTALLATION (CONT.)

EN

KVI36, KVI42, KVI54 DIMENSIONS



MODEL	WEIGHT	A	B	C	Duct Connection
KVI36	95 lbs. [42 kg]	24 in. [61.0 cm]	36 in. [91.4 cm]	3 in. [7.6 cm]	8 in. [20.3 cm]
KVI42	116 lbs. [53 kg]	30 in. [76.2 cm]	42 in. [106.7 cm]	3 in. [7.6 cm]	8 in. [20.3 cm]
KVI54	188 lbs. [85 kg]	42 in. [106.7 cm]	54 in. [137.2 cm]	5-1/4 in. [13.3 cm]	12 in. [30.5 cm]

5. Prepare a protective surface on the floor or countertop for the hood. Remove the hood from its packaging, and set the transition aside. Then place the hood upside-down on the protective surface for access to the inside of the hood.
6. Remove the blower shield(s) and blower housing(s) as follows:
 - a) Remove the shipping tape that is securing the blower shield(s) inside the hood.
 - b) Remove the blower shield(s) as described in BLOWER SHIELD REMOVAL on page 6.
 - c) Gently close the back draft damper(s) from the top side of the hood.
 - d) Remove the blower housing(s) as described in BLOWER HOUSING REMOVAL on page 6.

⚠ WARNING MAKE SURE POWER IS OFF AT THE SUPPLY PANEL / BREAKER DURING SERVICE OR INSTALLATION.

7. Remove the blower deck assembly by removing the 12 screws around the blower mounting plate. Unplug the electrical connector(s) and set the blower assembly aside, taking care not to damage the blower wheels.

INSTALLATION (CONT.)

EN

8. WIRING PREPARATION:

- a) Install an appropriate 1/2" UL listed electrical wire clamp through the electrical strap(s) on top of the hood deck.
- b) Install electrical wiring from the service panel to the hood location for each blower assembly. Consult the connection diagrams (previous pages) for further details on electrical placement. See "ELECTRICAL SUPPLY AND GROUNDING" on page 1 for power requirements.
- c) Support the hood beneath the location where it will hang and feed the electrical wire(s) into the wire clamp(s). Tighten the wire clamp(s).

9. Raise the hood to its final position and attach it:

- a) If mounting to the load-bearing framework in the ceiling, use appropriate hardware.
- b) If mounting to a duct cover, use the screws previously removed in Step 3.

10. WIRING CONNECTION:

From inside the hood, using UL listed wire nuts, attach the "neutral" wire(s) to the white lead(s), the "hot" wire(s) to the black lead(s), and the ground wire(s) to the green lead(s) inside the motor box(es).



DO NOT OPERATE HOOD WITHOUT PROPER GROUND CONNECTION.

11. Installing / connection to the blower deck:

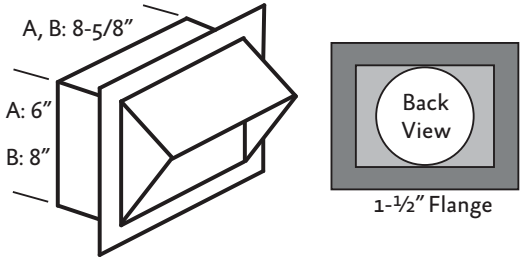
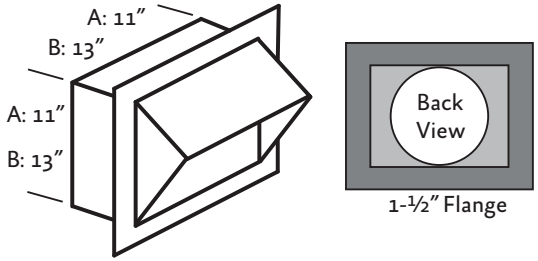
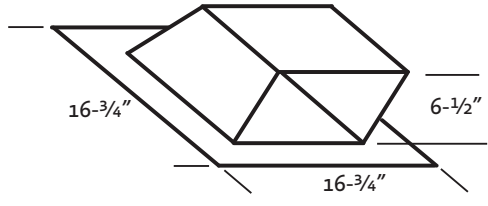
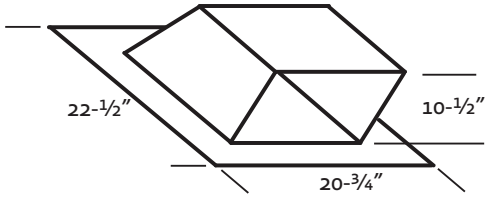
- a) Attach the transition to the blower deck assembly and seal with foil duct tape. The transition must fit inside the exhaust collar on the blower deck assembly.
- b) Reconnect the electrical connector(s). For assemblies with two connectors, connect the right harness to the front connector and the left harness to the back connector.
- c) While taking care to properly align the duct connection between the transition and the duct in the ceiling, reinstall the blower deck assembly into the hood using the 12 screws previously removed in Step 7.

12. Replace the blower housings and the blower shields. Make sure that the dampers open and close smoothly.

13. Turn power ON, verify operation: See "USING THE VENTILATION SYSTEM" on page 5 for proper hood operation. Test all blower and light functions to ensure they are operating properly.

VENT ACCESSORIES

EN

<p style="text-align: center;">WALL LOUVER</p>  <table border="1" style="width: 100%; border-collapse: collapse; margin-top: 10px;"> <thead> <tr> <th style="text-align: left;">ITEM</th> <th style="text-align: left;">MODEL</th> <th style="text-align: left;">DESCRIPTION</th> </tr> </thead> <tbody> <tr> <td>A</td> <td>AKVWL6</td> <td>6" Round</td> </tr> <tr> <td>B</td> <td>AKVWL8</td> <td>8" Round</td> </tr> </tbody> </table>	ITEM	MODEL	DESCRIPTION	A	AKVWL6	6" Round	B	AKVWL8	8" Round	<p style="text-align: center;">WALL LOUVER</p>  <table border="1" style="width: 100%; border-collapse: collapse; margin-top: 10px;"> <thead> <tr> <th style="text-align: left;">ITEM</th> <th style="text-align: left;">MODEL</th> <th style="text-align: left;">DESCRIPTION</th> </tr> </thead> <tbody> <tr> <td>A</td> <td>AKVWL10</td> <td>10" Round</td> </tr> <tr> <td>B</td> <td>AKVWL12</td> <td>12" Round</td> </tr> </tbody> </table>	ITEM	MODEL	DESCRIPTION	A	AKVWL10	10" Round	B	AKVWL12	12" Round
ITEM	MODEL	DESCRIPTION																	
A	AKVWL6	6" Round																	
B	AKVWL8	8" Round																	
ITEM	MODEL	DESCRIPTION																	
A	AKVWL10	10" Round																	
B	AKVWL12	12" Round																	
<p style="text-align: center;">LOW PROFILE ROOF CAP (MINIMUM 4/12 PITCH)</p>  <table border="1" style="width: 100%; border-collapse: collapse; margin-top: 10px;"> <thead> <tr> <th style="text-align: left;">MODEL</th> <th style="text-align: left;">DESCRIPTION</th> </tr> </thead> <tbody> <tr> <td>AKVRC6HP</td> <td>6" Round</td> </tr> <tr> <td>AKVRC8HP</td> <td>8" Round</td> </tr> </tbody> </table>	MODEL	DESCRIPTION	AKVRC6HP	6" Round	AKVRC8HP	8" Round	<p style="text-align: center;">LOW PROFILE ROOF CAP (MINIMUM 4/12 PITCH)</p>  <table border="1" style="width: 100%; border-collapse: collapse; margin-top: 10px;"> <thead> <tr> <th style="text-align: left;">MODEL</th> <th style="text-align: left;">DESCRIPTION</th> </tr> </thead> <tbody> <tr> <td>AKVRC10HP</td> <td>10" Round</td> </tr> <tr> <td>AKVRC12HP</td> <td>12" Round</td> </tr> </tbody> </table>	MODEL	DESCRIPTION	AKVRC10HP	10" Round	AKVRC12HP	12" Round						
MODEL	DESCRIPTION																		
AKVRC6HP	6" Round																		
AKVRC8HP	8" Round																		
MODEL	DESCRIPTION																		
AKVRC10HP	10" Round																		
AKVRC12HP	12" Round																		
<p>THE INFORMATION IN THIS DOCUMENT IS SUBJECT TO CHANGE AT ANY TIME WITHOUT NOTICE.</p>																			

DUCT COVERS

EN

HESTAN MODEL #	DESCRIPTION	WEIGHT	USE WITH HOOD MODEL #
KVDCI3612-XX	DUCT COVER, VENTILATION, 24W X 18 X 12H	12.3 lb [6 kg]	KVI36
KVDCI3624-XX	DUCT COVER, VENTILATION, 24W X 18 X 24H	22.8 lb [10 kg]	KVI36
KVDCI3636-XX	DUCT COVER, VENTILATION, 24W X 18 X 36H	33.3 lb [15 kg]	KVI36
KVDCI4212-XX	DUCT COVER, VENTILATION, 30W X 18 X 12H	14.1 lb [6 kg]	KVI42
KVDCI4224-XX	DUCT COVER, VENTILATION, 30W X 18 X 24H	26.1 lb [12 kg]	KVI42
KVDCI4236-XX	DUCT COVER, VENTILATION, 30W X 18 X 36H	38.1 lb [17 kg]	KVI42
KVDCI5412-XX	DUCT COVER, VENTILATION, 42W X 18 X 12H	17.8 lb [8 kg]	KVI54
KVDCI5424-XX	DUCT COVER, VENTILATION, 42W X 18 X 24H	32.7 lb [15 kg]	KVI54
KVDCI5436-XX	DUCT COVER, VENTILATION, 42W X 18 X 36H	47.7 lb [22 kg]	KVI54

NOTE: -XX INDICATES COLOR MODEL.

Omission of color code indicates stainless steel.

- BK for Stealth - Black
- YW for Sol - Yellow
- PP for Lush - Purple
- GG for Pacific Fog - Graphite Gray
- WH for Froth - White
- OR for Citra - Orange
- BU for Prince - Blue
- RD for Matador - Red
- BG for Tin Roof - Burgundy
- GR for Grove - Green
- TQ for Bora Bora – Turquoise

PARTS / SERVICE

SERVICE DATA RECORD

The rating label contains the model number and serial number of the appliance. See page 4 for the location of the rating label.

Now is a good time to write this information in the space provided below. Keep your invoice for warranty validation.

Model Number _____

Serial Number _____

Date of Installation or Occupancy _____

PARTS LIST

Please visit the Hestan website to access the parts list for your Hestan Indoor product:
www.hestanhome.com.

SERVICE

All warranty and non-warranty repairs should be performed by qualified service personnel. To locate an authorized service agent in your area, call Hestan Service Department. Before you call, please have the model number and serial number information ready.

Hestan Commercial Corporation
3375 E. La Palma Avenue
Anaheim, CA 92806
(888) 905-7463

LIMITED WARRANTY

WHAT THIS LIMITED WARRANTY COVERS:

Hestan Commercial Corporation ("HCC") warrants to the original consumer purchaser of a Hestan Indoor Cooking product (the "Product") from an HCC authorized dealer that the Product is free from defective materials or workmanship for a period of three (3) years from the date of delivery to the Purchaser after the original retail purchase or closing date for new construction, whichever date is later in time ("Limited Warranty Period"). HCC agrees to repair or replace, at HCC's sole option, any part or component of the Product that fails due to defective materials or workmanship during the Limited Warranty Period. This Limited Warranty is not transferable and does not extend to anyone beyond the original consumer purchaser ("Purchaser"). This Limited Warranty is valid only on Products that are (i) purchased and received from an HCC authorized dealer, (ii) delivered to a consumer after purchase, and (iii) after such delivery, continuously thereafter remain located, in the fifty United States, the District of Columbia and Canada. Events that will void this warranty include purchasing, or taking delivery in, or moving Products to any location outside of, the fifty United States, the District of Columbia and Canada. This Limited Warranty applies only to Products in non-commercial use and does not extend to Products used in or for any commercial applications.

LIMITED WARRANTY (CONT.)

EN

HOW TO OBTAIN WARRANTY SERVICE:

If the Product fails during the Limited Warranty Period for reasons covered by this Limited Warranty, the Purchaser must immediately contact the dealer from whom the Product was purchased or HCC at 888.905.7463.

Purchaser is responsible for making the Product reasonably accessible for service or for paying the cost to make the Product reasonably accessible for service. Service is to be provided during normal business hours of the authorized Hestan Commercial Service Provider. To the extent Purchaser requests service outside of the normal business hours of the authorized Hestan Commercial Service Provider, Purchaser will pay the difference between regular rates and overtime or premium rates. Purchaser is required to pay all travel costs for travel beyond 50 miles (one way) from the nearest authorized Hestan Commercial Service Provider.

EXTENSIONS TO THREE YEAR LIMITED WARRANTY PERIOD:

In addition to the Three-Year Limited Warranty, the following components have extended warranty coverage as specifically set forth below:

1. The Product's gas burners (excludes appearance), electric heating elements, blower motors (ventilation hoods), electronic control boards, magnetron tubes and induction generators (where applicable) are warranted to be free from defects in material and workmanship under normal non-commercial use and service for a period of five (5) years of delivery to the original Purchaser. This excludes surface corrosion, scratches, and discoloration which may occur during normal use and is limited to replacement of the defective part(s), with the Purchaser paying all other costs, including labor, shipping and handling, as applicable.

WHAT THIS LIMITED WARRANTY DOES NOT COVER:

This Limited Warranty does not cover and HCC will not be responsible for and will not pay for: damage to or defects in any Product not purchased from an HCC authorized dealer; color variations in color finishes or other cosmetic damage; failure or damage from abuse, misuse, accident, fire, natural disaster, commercial use of the Product, or loss of electrical power or gas supply to the Product; damage from alteration, improper installation, or improper operation of the Product; damage from improper or unauthorized repair or replacement of any part or component of the Product; damage from service by someone other than an authorized agent or representative of the Hestan Commercial Service Network; normal wear and tear; damage from exposure of the Product to a corrosive atmosphere containing chlorine, fluorine, or any other damaging chemicals; damage resulting from the failure to provide normal care and maintenance to the Product; damage HCC was not notified of within the Limited Warranty Period; and incidental and consequential damages caused by any defective material or workmanship.

ARBITRATION:

This Limited Warranty is governed by the Federal Arbitration Act. Any dispute between Purchaser and HCC regarding or related to the Product or to this Limited Warranty shall be resolved by binding arbitration only on an individual basis with Purchaser. Arbitration will be conducted by the American Arbitration Association ("AAA") in accordance with its Consumer Arbitration Rules or by JAMS. The arbitration hearing shall be before one arbitrator appointed by the AAA or JAMS. The arbitrator shall not conduct class arbitration and Purchaser shall not bring any claims against HCC in a representative capacity on behalf of others.

LIMITATION OF LIABILITY:

This Limited Warranty is the final, complete and exclusive agreement between HCC and Purchaser regarding the Product.

LIMITED WARRANTY (CONT.)

EN

THERE ARE NO EXPRESS WARRANTIES OTHER THAN THOSE LISTED AND DESCRIBED ABOVE. NO WARRANTIES WHETHER EXPRESS OR IMPLIED, INCLUDING, BUT NOT LIMITED TO, ANY IMPLIED WARRANTIES OF MERCHANTABILITY OR FITNESS FOR A PARTICULAR PURPOSE SHALL APPLY AFTER THE LIMITED WARRANTY PERIOD STATED ABOVE. NO OTHER EXPRESS WARRANTY OR GUARANTY GIVEN BY ANY PERSON, FIRM OR CORPORATION WITH RESPECT TO THIS PRODUCT SHALL BE BINDING ON HCC. HCC ASSUMES NO RESPONSIBILITY THAT THE PRODUCT WILL BE FIT FOR ANY PARTICULAR PURPOSE, EXCEPT AS OTHERWISE PROVIDED BY APPLICABLE LAW. HCC SHALL NOT BE LIABLE FOR LOSS OF REVENUE OR PROFITS, FAILURE TO REALIZE SAVINGS OR OTHER BENEFITS, OR ANY OTHER SPECIAL, INCIDENTAL OR CONSEQUENTIAL DAMAGES CAUSED BY THE USE, MISUSE OR INABILITY TO USE THE PRODUCT, REGARDLESS OF THE LEGAL THEORY ON WHICH THE CLAIM IS BASED, AND EVEN IF HCC HAS BEEN ADVISED OF THE POSSIBILITY OF SUCH DAMAGES. NO RECOVERY OF ANY KIND AGAINST HCC SHALL BE GREATER IN AMOUNT THAN THE PURCHASE PRICE OF THE PRODUCT. WITHOUT LIMITING THE FOREGOING, YOU ASSUME ALL RISK AND LIABILITY FOR LOSS, DAMAGE OR INJURY TO YOU AND YOUR PROPERTY AND TO OTHERS AND THEIR PROPERTY ARISING OUT OF THE USE, MISUSE OR INABILITY TO USE THE PRODUCT NOT CAUSED DIRECTLY BY THE NEGLIGENCE OF HCC. THIS LIMITED WARRANTY STATES YOUR EXCLUSIVE REMEDY.

No oral or written representation or commitment given by anyone, including but not limited to, an employee representative or agent of HCC will create a warranty or in any way increase the scope of this express Limited Three Year Warranty. If there is any inconsistency between this Limited Warranty and any other agreement or statement included with or relating to the Product, this Limited Warranty shall govern. If any provision of this Limited Warranty is found invalid or unenforceable, it shall be deemed modified to the minimum extent necessary to make it enforceable and the remainder of the Limited Warranty shall remain valid and enforceable according to its terms.

INTERACTION OF LAWS WITH THIS LIMITED WARRANTY:

Some states, provinces or territories may not allow limitations on how long an implied warranty lasts or the exclusion or limitation of incidental or consequential damages, so the above limitations or exclusions may not apply to you. Some states, provinces or territories may provide for additional warranty rights and remedies, and the provisions contained in this Limited Warranty are not intended to limit, modify, take away from, disclaim or exclude any mandatory warranty requirements provided by states, provinces or territories, including certain implied warranties. This warranty gives you specific legal rights, and you may also have other rights which vary depending on location.

Any questions about this Limited Warranty may be directed to:
Hestan Commercial Corporation at (888) 905-7463

This page intentionally left blank.

This page intentionally left blank.

AVERTISSEMENT

LE NON-RESPECT À LA LETTRE DE CES INSTRUCTIONS PEUT CAUSER UN INCENDIE OU UNE EXPLOSION, QUI POURRAIT ENTRAÎNER DES DOMMAGES MATÉRIELS, DES BLESSURES OU LA MORT.

Ne pas entreposer ou utiliser d'essence ou tout autre liquide ou gaz inflammable à proximité de cet appareil ou de tout autre appareil.

L'installation et le service doivent être effectués par un installateur qualifié ou une agence de service.

NE PAS RÉPARER, REMPLACER OU ENLEVER TOUTE PIÈCE DE L'APPAREIL, SAUF SI SPÉCIFIQUEMENT RECOMMANDÉ DANS LES MANUELS. UNE INSTALLATION, UN ENTRETIEN OU UNE MAINTENANCE INCORRECTS PEUT ENTRAÎNER DES BLESSURES OU DES DOMMAGES MATÉRIELS. CONSULTEZ CE MANUEL DE L'ORIENTATION. TOUS LES AUTRES SERVICES DEVRAIENT ÊTRE EFFECTUÉS PAR UN TECHNICIEN DE SERVICE HESTAN AUTORISÉ.

LISEZ ATTENTIVEMENT ET COMPLÈTEMENT CES INSTRUCTIONS AVANT D'INSTALLER OU D'UTILISER VOTRE APPAREIL AFIN DE RÉDUIRE LES RISQUES D'INCENDIE, DE BRÛLURE OU D'AUTRES BLESSURES. CONSERVER CE MANUEL POUR RÉFÉRENCE FUTURE.

DÉFINITIONS DE SÉCURITÉ

AVERTISSEMENT

CECI INDIQUE QUE L'INOBSERVATION DE CET AVERTISSEMENT PEUT ENTRAÎNER DES BLESSURES GRAVES VOIRE MORTELLES.

PRÉCAUTION

CECI INDIQUE QUE L'INOBSERVATION DE CET AVERTISSEMENT PEUT ENTRAÎNER DES BLESSURES MINEURES OU MODÉRÉES.

AVIS

CECI INDIQUE QUE L'INOBSERVATION DE CET AVERTISSEMENT PEUT ENTRAÎNER DES DOMMAGES DE L'APPAREIL OU DES DÉGÂTS MATÉRIELS.

INSTALLATEUR: LAISSER CE MANUEL AVEC LE PROPRIÉTAIRE DE L'APPAREIL.

PROPRIÉTAIRE: CONSERVEZ CE MANUEL POUR RÉFÉRENCE FUTURE.

Un message de Hestan

Les innovations culinaires primées de Hestan et les caractéristiques spéciales ont réinventé la cuisine du restaurant et redéfini l'expérience culinaire dans certains des restaurants les plus acclamés de l'Amérique. Hestan prend maintenant cette performance à l'arrière de la maison et la met au centre de la vôtre. Pensé et méticuleusement conçu, Hestan vous servira magnifiquement pour les années à venir.

Hestan est la seule marque résidentielle née des rêves et des exigences des chefs professionnels. De la cuisinière à la réfrigération, chaque détail est conçu pour offrir la performance et la fiabilité attendues dans un restaurant - maintenant disponible pour vous.

Nous apprécions que vous ayez choisi Hestan, et nous nous engageons à vous offrir le meilleur.

Bienvenue à Hestan



Page laissée en blanc intentionnellement

TABLES DES MATIERES

1	PRÉCAUTIONS DE SÉCURITÉ - AVANT DE COMMENCER
4	NUMÉROS DE MODÈLE
4	PLAQUE SIGNALÉTIQUE
5	RESPECT DE LA RÉGLEMENTATION ET DES CODES EN VIGUEUR
5	MODE D'EMPLOI
6	NETTOYAGE ET ENTRETIEN
9	DÉPANNAGE
10	BONNE PRATIQUE DE CANALISATION
11	INSTALLATION
15	ACCESSOIRES DE VENTILATION
16	CACHE-CONDUIT
17	PIÈCES / SERVICE
17	GARANTIE LIMITÉE

FR

PRÉCAUTIONS DE SÉCURITÉ - AVANT DE COMMENCER

Lorsque votre système de ventilation Hestan est correctement entretenu, il assure un service sûr et fiable pendant de nombreuses années. Lors de l'utilisation de ce système de ventilation, les pratiques de sécurité de base doivent être suivies comme décrit dans les pages suivantes.

IMPORTANT: Conservez ces instructions pour l'inspecteur d'utilitaires local.

INSTALLATEUR: Veuillez laisser ces instructions d'installation avec le propriétaire.

PROPRIÉTAIRE: Veuillez lire ces instructions et les sauvegarder pour référence future.

⚠️ AVERTISSEMENT

RISQUE DE CHOC ÉLECTRIQUE

Il est de la responsabilité de l'utilisateur de connecter l'appareil par un électricien agréé conformément à tous les codes et normes applicables, y compris la construction liée au feu. Lisez étape 10 - «CONNEXION DU CÂBLAGE» à la page 16 pour plus de détails.



ALIMENTATION ÉLECTRIQUE ET MISE A LA TERRE

- Cet appareil doit être mis à la terre. Lisez étape 10 - «CONNEXION DU CÂBLAGE» à la page 14 pour plus de détails.
- Cet appareil doit être connecté à un circuit dédié 120 VAC monophasé, 60 Hz, 20 ampères.
- **PROPRIÉTAIRE:** Demandez à l'installateur de vous indiquer l'emplacement du disjoncteur électrique pour savoir comment couper l'alimentation de cet appareil.

Convient pour une utilisation dans des applications extérieures couvertes lorsqu'il est installé dans un circuit protégé par GFCI.

PRÉCAUTIONS DE SÉCURITÉ - AVANT DE COMMENCER (SUITE)

PRÉCAUTIONS GÉNÉRALES DE SÉCURITÉ

Lorsqu'il est correctement entretenu, votre hotte de ventilation est un système de ventilation sûr et fiable. Lisez attentivement toutes les instructions avant d'utiliser ce système de ventilation. Lors de l'utilisation d'appareils de cuisine, des précautions de sécurité de base doivent être respectées.



POUR RÉDUIRE LES RISQUES D'INCENDIE, D'ÉLECTROCUTION OU DE BLESSURES, OBSERVEZ CE QUI SUIT:

- a) N'utilisez cet appareil que de la manière prévue par le fabricant. Si vous avez des questions, contactez le fabricant.
- b) Avant de procéder à l'entretien ou au nettoyage de l'unité, éteignez le panneau de service et verrouillez les moyens de déconnexion du service afin d'éviter toute mise sous tension accidentelle. Lorsque les moyens de déconnexion du service ne peuvent pas être verrouillés, fixez fermement un dispositif d'avertissement proéminent, tel qu'une étiquette, sur le panneau de service.



POUR USAGE VENTILATOIRE GÉNÉRAL UNIQUEMENT. NE PAS UTILISER POUR L'ÉCHAPPEMENT DE MATÉRIAUX OU DE VAPEURS DANGEREUX OU EXPLOSIVES.



POUR RÉDUIRE LE RISQUE D'UN FEU DE GRAISSE SUR LA CUISINIÈRE:

- a) Ne laissez jamais des brûleurs ou des unités de surface sans surveillance à des réglages élevés. Les débordements provoquent le tabagisme et les débordements graisseux qui peuvent s'enflammer. Chauffer les huiles lentement sur les réglages bas ou moyens.
- b) Allumez toujours le hotte lorsque vous cuisinez à feu vif ou lorsque vous flambez de la nourriture (c.-à-d. Crêpes Suzette, cerises jubiléées, poivres de bœuf Flambe).
- c) Nettoyer fréquemment les ventilateurs. La graisse ne doit pas s'accumuler sur le ventilateur ou le filtre.
- d) Utilisez la taille de casserole appropriée. Utilisez toujours des ustensiles de cuisine adaptés à la taille de l'élément de surface ou du brûleur.



POUR RÉDUIRE LES RISQUES DE BLESSURES EN CAS DE FEU DE GRAISSE SUR LA CUISINIÈRE, OBSERVEZ CE QUI SUIT *:

- a) ÉTOUFFER LES FLAMMES avec un couvercle hermétique, une plaque à biscuits ou un plateau métallique, puis éteignez le brûleur. SOYEZ PRUDENT POUR PRÉVENIR LES BRÛLURES. Si les flammes ne s'éteignent pas immédiatement, ÉVACUER ET APPELER LE SERVICE DES INCENDIES.
- b) NE JAMAIS RAMASSER UN PAN INFLAMMABLE - Vous pourriez être brûlé.
- c) N'UTILISEZ PAS D'EAU, y compris des torchons ou des serviettes humides - une violente explosion de vapeur se produira.
- d) Utilisez un extincteur UNIQUEMENT si:
 - 1. Vous savez que vous avez un extincteur de type ABC ou type K, et vous savez déjà comment l'utiliser.
 - 2. Le feu est petit et contenu dans la zone où il a commencé.
 - 3. Le service d'incendie est appelé.
 - 4. Vous pouvez combattre le feu avec votre dos à une sortie.

* - Basé sur «Kitchen Fire Safety Tips» publié par NFPA.

PRÉCAUTIONS DE SÉCURITÉ - AVANT DE COMMENCER (SUITE)

AVERTISSEMENT

RISQUE DE BRÛLURE

Ce système de ventilation est conçu pour être utilisé avec des cuisinières ou tables de cuisson, qui peuvent devenir très chauds pendant le fonctionnement. Respectez les avertissements et les mises en garde concernant l'appareil de cuisson.

Ce système de ventilation doit être réparé uniquement par un technicien agréé Hestan. Contactez le centre de service agréé le plus proche pour l'examen, la réparation ou le réglage.

Ne réparez ou ne remplacez aucune partie du système à moins d'une recommandation spécifique. Renvoyer le service à un réparateur agréé.

N'utilisez pas ce système de ventilation s'il ne fonctionne pas correctement ou s'il a été endommagé jusqu'à ce qu'un réparateur agréé l'ait examiné.

Installez ou localisez ce système de ventilation uniquement conformément à la section Installation de ce manuel. Ne pas couvrir ou bloquer les ouvertures de ce système de ventilation.

Il est fortement recommandé de disposer d'un extincteur de cuisine adapté (type ABC ou type K) facilement disponible et très visible à proximité de tout appareil de cuisson.

SÉCURITÉ PENDANT LE NETTOYAGE

Nettoyez uniquement les pièces du système de ventilation indiquées dans ce manuel, de la manière spécifiée dans ce manuel.

Remarque: les «ventilateurs» et «filtre» dans les avertissements précédents se réfèrent à la roue(s) du soufflante, la boîte(s) de la soufflante, et la bouclier de la soufflante. Voir «NETTOYAGE» à la page 7 pour l'identification des pièces et les instructions de nettoyage.

CE MANUEL DOIT RESTER AVEC LA PROPRIÉTAIRE POUR RÉFÉRENCE FUTURE.

FR

NUMÉROS DE MODÈLE

FR

NO. MODÈLE	DESCRIPTION	VENTILATEURS UTILISÉS
KVI36	Système de Ventilation de Cuisine 550 CFM du style de îlot de 36 po [91,4 cm]	T200 ventilateurs double
KVI42	Système de Ventilation de Cuisine 550 CFM du style de îlot de 42 po [106,7 cm]	T200 ventilateurs double
KVI54	Système de Ventilation de Cuisine 1100 CFM du style de îlot de 54 po [137,2 cm]	T400 quatre ventilateurs

PUISSANCE ET FLUX D'AIR NOMINAL

Paquet de Ventilateur	Ampères	CFM SP@0,0 *	Équivalent CFM **	CFM SP@0,1 *	CFM SP@0,2 *	CFM SP@0,3 *	Taille minimale du conduit rond	Sones ***
T200 ventilateurs double	4,0	550	900	507	471	431	8 po (50 po ²) [20,3 cm (322,6 cm ²)]	6,0
T400 quatre ventilateurs	7,5	1100	1800	998	855	774	12 po (113 po ²) [30,5 cm (729 cm ²)]	6,4

Toutes les unités 115 VAC 60 Hz 1550 RPM [1 CFM = 1.7 m³/hr]

* Pression Statique en pouces de colonne d'eau.

** Lorsque vous comparez avec des unités soufflantes fabriquées par d'autres fabricants, utilisez le «équivalent CFM».

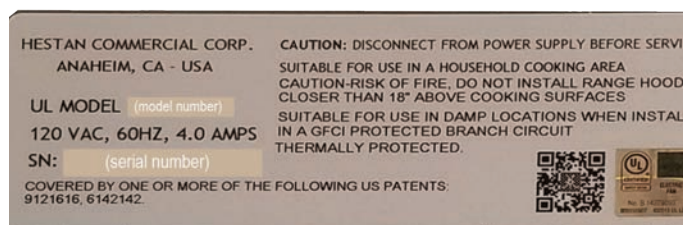
*** Cotes conformes au Standard Test Code du Energy Systems Laboratory de la Texas Engineering Experiment Station.

PLAQUE SIGNALÉTIQUE

La plaque signalétique donne des informations importantes sur cet appareil Hestan telles que le numéro de modèle et de série, les caractéristiques électriques et les dégagements minimum d'installation.

La plaque signalétique se trouve sur le boîtier de soufflante.

Si un entretien est nécessaire, contactez le service clientèle de Hestan avec les informations sur le modèle et le numéro de série figurant sur la plaque.



Plaque signalétique typique



Emplacement de la plaque signalétique

RESPECT DE LA RÉGLEMENTATION ET DES CODES EN VIGUEUR

L'installation de cet appareil de cuisson doit être effectuée conformément aux codes locaux. En l'absence de tels codes, installer cet appareil conformément au National Electrical Code et les codes locaux.

Tous les composants électriques doivent être mis à la terre conformément aux codes locaux ou, en l'absence de tels codes, au National Electrical Code *ANSI/NFPA 70* ou au Code national de l'électricité du Canada *CSA C22.1*.

FR

MODE D'EMPLOI

CARACTÉRISTIQUES DU SYSTÈME DE VENTILATION

Des contrôles de vitesse sont fournis pour chaque ensemble de soufflante. Les systèmes à deux soufflantes auront un bouton de contrôle de la vitesse, tandis que les systèmes à quatre souffleries auront deux boutons de contrôle de la vitesse.

Un bouton de contrôle est fourni pour l'intensité de l'éclairage.

La disposition des commandes sera similaire à celle montrée ci-dessous.

UTILISATION DE LA HOTTE

L'utilisateur peut commencer avec la hotte au réglage le plus bas, puis augmenter la vitesse et / ou activer des ventilateurs supplémentaires au besoin. L'utilisation de la hotte à des réglages élevés peut augmenter les exigences de chauffage ou de climatisation et les coûts pour la maison.

BOUTON DE COMMANDE DE VENTILATEUR

Pour faire fonctionner la (les) soufflante(s), faites tourner le bouton dans les réglages de vitesse du ventilateur en le tournant dans le sens horaire (en faisant face au bouton).

Tournez le bouton dans le sens anti-horaire pour réduire la vitesse du ventilateur.

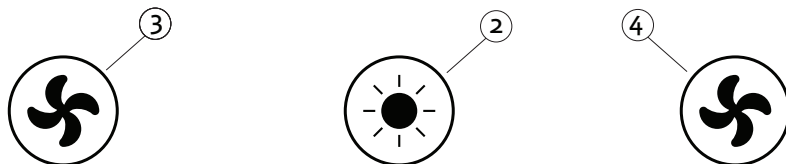
BOUTON DE CONTRÔLE DE LA LUMIÈRE

Pour faire fonctionner les lumières, faites tourner le bouton à travers les réglages d'intensité lumineuse en le tournant dans le sens horaire (en faisant face au bouton). Tournez la bouton dans le sens anti-horaire pour atténuer les lumières ou les éteindre.

Commandes pour deux ventilateurs



Les contrôles pour trois et quatre ventilateurs



Article	Fonction
1	Contrôle du ventilateur
2	Contrôle de la lumière
3	Contrôle des ventilateurs 1 et 2
4	Contrôle des ventilateurs 3 et 4

NETTOYAGE ET ENTRETIEN

NETTOYAGE DU SYSTÈME DE VENTILATION

Les exigences de nettoyage dépendent entièrement de l'utilisation et de l'environnement. Plus la cuisson est chaude et /ou grasse, plus le hotte et le souffleur doivent être nettoyés.

Le bac à graisse et le soufflante ne sont pas visibles de l'extérieur, ils doivent donc être retirés pour inspection.

Après avoir inspecté le bac plusieurs fois au cours de six mois ou d'un an, vous pouvez définir un programme de nettoyage en fonction de votre mode d'utilisation.

LA HOTTE

Essayez l'intérieur et l'extérieur de la hotte si nécessaire avec un chiffon doux et de l'eau chaude savonneuse (un détergent à vaisselle liquide est acceptable). N'utilisez pas d'acides, d'abrasifs, de détergents puissants, de solvants ou de tampons à récurer. L'acier inoxydable doit être traité avec un nettoyant d'acier inoxydable de qualité tel que Stainless Steel Magic®. Suivez toutes les instructions de l'étiquette. Ne pas polir à travers le grain ou dans les cercles.

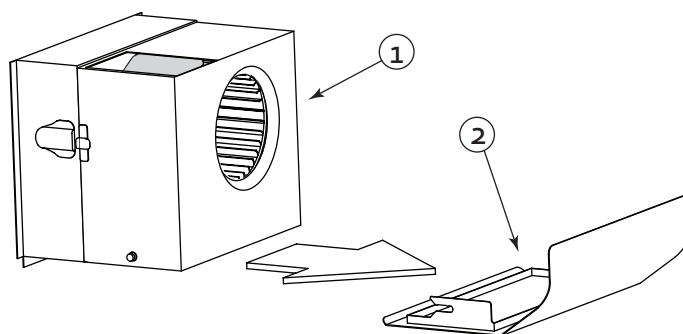
BOÎTIER ET BOUCLIER



Pour réduire le risque de blessure, assurez-vous que l'alimentation est coupée dans le hotte avant de retirer le(s) bouclier(s) et le(s) boîtier(s) du soufflante.

Le ventilateur capture les sous-produits de la graisse dans le(s) boîtier(s) de la soufflante et le(s) bouclier(s) de la soufflante. Le(s) bouclier(s) nécessitent un nettoyage plus fréquent que le boîtier du soufflante, mais la fréquence de cuisson détermine la fréquence à laquelle chaque élément doit être nettoyé.

Article	Description
1	Boîtier de soufflante avec porte(s) amortissante
2	Bouclier de soufflante



RETRAIT DE LA BOUCLIER

Les boucliers sont facilement retirés pour le nettoyage en tirant le(s) bouclier(s) de soufflante loin du boîtier de soufflante dans la direction indiquée ci-dessus.



Veillez à maintenir le bac à niveau si la hotte a été récemment utilisée et si la graisse est encore chaude.

Inspectez et nettoyez le bouclier. (Détails à suivre)

RETRAIT DE LA BOÎTIER DE SOUFFLANTE

Pour retirer le boîtier de la soufflante:

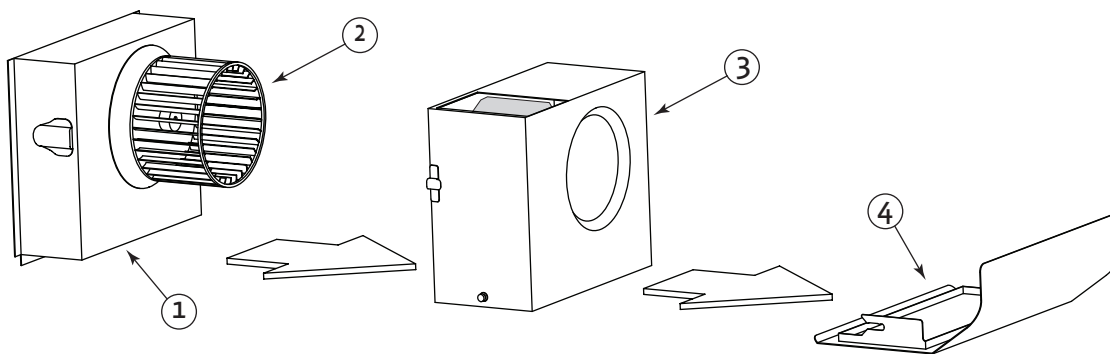
1. Déverrouillez deux loquets de valise, un de chaque côté du boîtier.
2. Soutenez le boîtier et retirez-le de la base du souffleur.
3. Tout en le tirant vers l'arrière, faites-le doucement basculer vers le bas pour dégager la (les) roue(s) du souffleur.

NETTOYAGE ET ENTRETIEN (SUITE)

NETTOYAGE

Nettoyez le(s) bouclier(s) et /ou le(s) boîtier(s) du soufflante dans un évier d'eau chaude savonneuse (détergent à vaisselle liquide) et laissez tremper pendant quelques minutes. Laver avec une éponge ou un torchon, rincer et laisser égoutter avant de réinstaller. Il est également possible de placer le(s) boîtier(s) de la soufflante et le(s) bouclier(s) de la soufflante dans un lave-vaisselle.

FR



Article	Description
1	Boîtier du moteur
2	Roue de soufflante
3	Boîtier de soufflante avec porte(s) amortissante
4	Bouclier de soufflante

AVERTISSEMENT

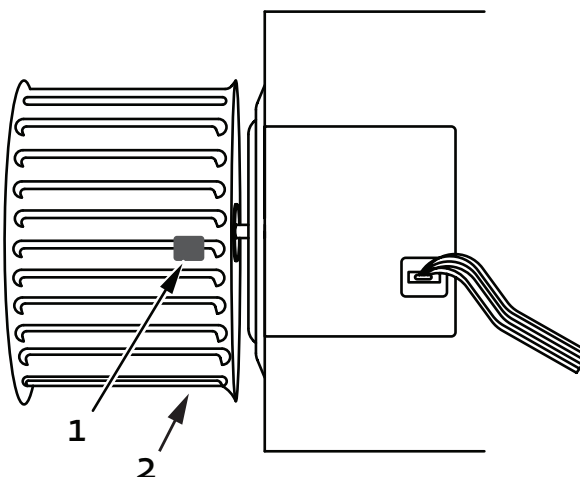
Pour réduire le risque de blessure, assurez-vous que l'alimentation est coupée dans le hotte avant de retirer le(s) bouclier(s) et le(s) boîtier(s) du soufflante.

Un nettoyage régulier du boîtier de la soufflante devrait empêcher l'accumulation de graisse sur la roue de la soufflante. Si une accumulation de graisse se produit, la roue de la soufflante peut facilement être nettoyée à l'aide d'une brosse à dents à poils doux et d'un dégraissant commun tel que Formula 409®.

AVIS

Veillez à ne pas déplacer ou perdre les clips d'équilibrage en métal qui peuvent être fixés à la roue.

Article	Description
1	Clip d'équilibrage
2	Roue de soufflante



NETTOYAGE ET ENTRETIEN (SUITE)

FR

RETRAIT DE LA ROUE

Pour les cas où la roue de soufflante doit être retirée, suivez les instructions ci-dessous.

- Le retrait de la roue de soufflante nécessite une clé hexagonale de 1/8 po. Ceci peut être obtenu auprès de votre quincaillerie ou de votre fournisseur d'outils local.

La roue est retenue par une vis de réglage sur le côté du moyeu de la roue qui se resserre contre un point « plat » sur l'arbre du moteur. (Voir l'illustration à la page précédente)

1. Localiser la vis de réglage sur le côté du moyeu de la roue.
2. Insérer une clé à travers les lames de la roue de ventilateur et dans la vis de réglage.
3. Desserrez la vis de réglage d'un demi-tour dans le sens anti-horaire.

Si la roue est difficile à enlever, la zone où l'arbre du moteur entre en contact avec le moyeu de la roue de soufflante peut nécessiter une pulvérisation d'une huile pénétrante commune telle que WD-40®.

Après avoir laissé tremper l'huile pénétrante pendant quelques minutes, poussez légèrement la roue de la soufflante vers l'avant, puis retirez doucement la roue de la soufflante de l'arbre du moteur.

- Faites attention à ne pas plier ou déformer la roue de la soufflante et veillez à ne pas déplacer ou perdre les clips d'équilibrage métalliques qui peuvent être fixés sur la roue.

Une brosse à dents à poils doux et de l'eau chaude savonneuse peut être utilisée pour nettoyer les lames ou faire tremper la roue de la soufflante dans de l'eau chaude savonneuse.

INSTALLATION DE LA ROUE

Lors de la réinstallation de la roue sur l'arbre du moteur, assurez-vous que la vis de réglage est en contact direct avec le « point plat » sur l'arbre du moteur.

1. Faites glisser la roue du ventilateur sur l'arbre du moteur aussi loin que possible, en vous assurant que l'arrière de la roue du ventilateur ne touche pas les vis de montage du moteur qui dépassent du moteur.
- Si la roue est trop en arrière, il frotera les vis du support du moteur, et s'il est trop en avant, il frotera l'intérieur du boîtier du ventilateur.
2. Ajustez légèrement la roue de la soufflante pour trouver l'emplacement correct de l'avant vers l'arrière.
3. Serrez la vis de réglage (dans le sens horaire) pour verrouiller la roue du ventilateur dans la bonne position.

AVIS

Pour les hottes qui ont plus d'une roue de soufflante, assurez-vous que les roues blancs sont assorties avec des anneaux de moteur blanc, et les roues noires sont assorties avec des anneaux de moteur noir.

Le hotte de ventilation ne fonctionnera pas correctement si les roues du soufflante et les moteurs sont incompatibles.

NETTOYAGE ET ENTRETIEN (SUITE)

REEMPLACEMENT DU MOTEUR



AVERTISSEMENT

Pour réduire le risque de blessure, coupez l'alimentation du disjoncteur ou du disjoncteur avant d'essayer de retirer le moteur de la soufflante.

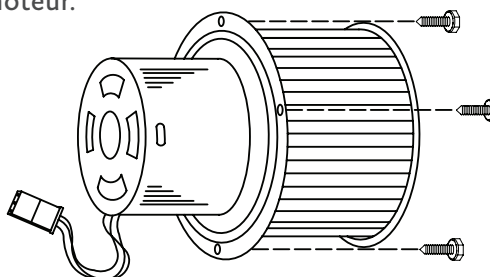
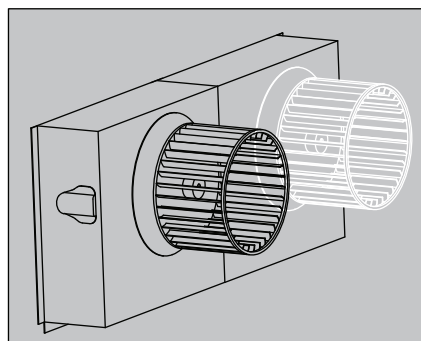
IDENTIFICATION ET POSITIONNEMENT DU MOTEUR

Les moteurs sont codés par couleur. Les moteurs noir et blanc ont des rotations différentes et doivent être installés dans les bonnes positions.

- Les boîtiers avec une seule soufflante utilisent un roue blanc.
 - Les boîtiers avec deux soufflante utilisent une roue blanc sur la droite et noire sur la gauche.
- Assurez-vous d'avoir le bon moteur dans chaque position du boîtier.

- Si le moteur de soufflante de remplacement comprend une roue de soufflante, vous pouvez retirer le moteur et la roue ensemble. Si vous réutilisez votre roue existante, vous pouvez retirer la roue avant de retirer le moteur.

1. Retirez le bouclier et le boîtier de la soufflerie comme décrit dans la page 6.
2. Utilisez un tourne-écrou 1/4 po pour retirer les trois vis du support moteur qui fixent le moteur à la boîtier.
3. Tirez doucement le moteur vers l'avant et vers le bas.
4. Débranchez le faisceau de câblage, retirez l'ancien moteur.
- Pour éviter d'endommager la roue de soufflante, vous pouvez installer le moteur, puis installer la roue sur le moteur.
5. Soulevez le nouveau moteur pour pouvoir connecter le faisceau de câblage. Assurez-vous de bien engager les connexions électriques et serrez les vis de fixation du moteur.
6. Vérifiez le jeu des roues de la soufflerie et réglez au besoin, comme décrit dans « INSTALLATION DE LA ROUE » à la page 8.



FR

REMPACEMENT DE LA LUMIÈRE LED



AVERTISSEMENT

Pour réduire les risques de blessures, éteignez l'appareil et laissez-le refroidir avant de continuer.

FEUX LED

Remplacer la lampe par une pièce de rechange d'origine (Hestan P/N 025075).

1. Couper le courant au niveau du disjoncteur.
2. Soyez prudent lorsque vous tirez sur l'ancienne lampe afin d'éviter que les ressorts ne se brisent contre votre main. Voir Fig 1. et Fig 2.
3. Une fois que la lampe est suspendue sous le panneau d'éclairage (Fig. 3), il suffit de déconnecter l'ancienne lampe du faisceau à l'aide de l'adaptateur à connexion rapide.
4. Retirez et mettez au rebut la section du fil et de la fiche du faisceau de la nouvelle lampe. Connecter le nouvel éclairage au faisceau de câbles de la hotte à l'aide de l'adaptateur de connexion rapide.
5. Tout en veillant à ce que les fils soient bien tendus, faites-les passer dans le panneau d'éclairage et insérez le nouvel éclairage dans l'ouverture du panneau. Vous devrez pousser les ressorts de l'ampoule suffisamment loin vers l'arrière pour pouvoir l'insérer dans le panneau d'éclairage. Soyez prudent lorsque vous insérez la nouvelle ampoule afin d'éviter que les ressorts ne se brisent contre votre main ou le boîtier de l'éclairage.
6. Rétablissez le courant au niveau du disjoncteur et testez toutes les fonctions de la soufflerie et de l'éclairage pour vous assurer qu'elles fonctionnent correctement.

Fig 1.



Fig 2.

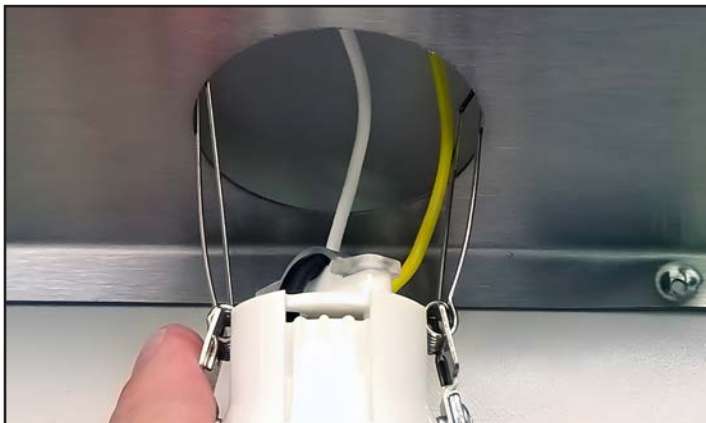


Fig 3.



DÉPANNAGE

Si la hotte ne fonctionne pas de manière satisfaisante, vérifiez les points suivants:

- Est-ce que les soufflantes courent?
- Les roues de la soufflante sont-elles installées sur les bons moteurs? (roue noire sur le moteur noir, roue blanc sur le moteur blanc)
- Les ensembles moteur et roue sont-ils installés aux bons emplacements?
- Vérifiez les portes d'amortissement dans le boîtier du soufflante - bougent-ils / s'ouvrent-ils librement?
- Vérifiez les registres / événements à l'extérieur - ouvrent-ils librement, sans obstacles?
- Vérifiez s'il y a des conduits endommagés ou obstrués.

BONNE PRATIQUE DE CANALISATION

FR

EXIGENCES GÉNÉRALES

Respectez les codes locaux en ce qui concerne les exigences de conduits spéciaux et le placement du conduit contre les combustibles.

- L'utilisation des transitions recommandées (voir ACCESSOIRES DE VENTILATION) garantira une efficacité adéquate.
- L'utilisation des chapeaux de toit ou des événements murales recommandés (voir ACCESSOIRES DE VENTILATION) garantira une efficacité adéquate.
- Utilisez du ruban adhésif HVAC métallique (pas de ruban adhésif en toile grise) pour sceller tous les joints.
- La hotte doit être canalisée vers l'extérieur sans restriction.

EXIGENCES DE SOUFFLEUR

Le ventilateur double d'ilot (T200 = 550 CFM) utilisé dans les systèmes 36" et 42" sorties par la transition incluse vers un conduit rond de 8 po [20,3 cm] ou équivalent 50 po² [322,6 cm²].

Le système de 54 po utilise un groupe de quatre ventilateurs (T400 = 1100 CFM) qui sortent via la transition incluse vers un conduit rond de 12 po [30,5 cm] ou équivalent 113 po² [729 cm²].

EXIGENCES DE CANALISATION (BONNE PRATIQUE DE CANALISATION)

- NE JAMAIS réduire la taille du conduit. Lors de la combinaison de conduits, la surface en pouces carrés du conduit de sortie doit être égale ou supérieure à la surface totale en pouces des conduits combinés.
- Utiliser seulement des conduits métalliques lisses et galvanisés. N'utilisez pas de conduit flexible ou ondulé. Ce type de conduit limitera le flux d'air et réduira les performances.
- Faire le chemin le plus court possible et aussi droit que possible avec aussi peu de tours que possible.
- Évitez les virages serrés. Au lieu de cela, utilisez des virages lisses et progressifs tels que les coudes réglables ou les virages angulaires de 45 degrés.
- Pour les conduits de plus de 20 pieds [6 m], augmentez le diamètre du conduit d'un pouce [2,5 cm] pour chaque 10 pieds [3 m] de conduit.
- Lors de la planification de la longueur, du conduit, un coude de 90 degrés est équivalent à 5 pieds [1,5 m] de conduit.

CONDITIONS DE TÉRMINAISON

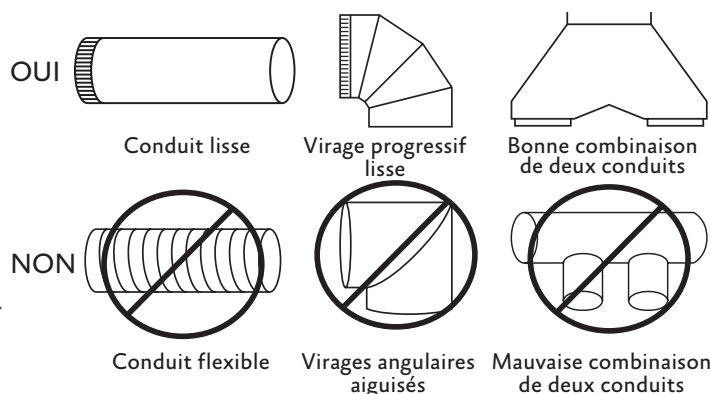
Le flux d'air ne doit pas être limité à la fin du parcours du conduit.

Un événement mural ou un chapeau de toit est requis pour chaque passage de conduit.

Chaque événement mural ou un chapeau de toit doit inclure un amortisseur à gravité pour éviter les retours d'air.

N'utilisez pas de moustiquaires ou de portes à ressort sur les événements murales ou les chapots de toit.

Ne pas terminer l'évacuation dans un grenier ou une cheminée.



INSTALLATION



AVERTISSEMENT POUR RÉDUIRE LES RISQUES D'INCENDIE, DE CHOC ÉLECTRIQUE OU DE BLESSURE, OBSERVEZ CE QUI SUIT:

- a) Un structure porteuse au plafond est nécessaire pour l'installation d'une hotte îlot. Une construction de cadre supplémentaire peut être nécessaire. Ne fixez pas une hotte îlot à une structure qui ne peut supporter deux fois son poids et les cache-conduits (optionnel). Pour le poids des hottes, voir le tableau des dimensions à la page 13 et «Cache-Conduits» à la page 16.
- b) Les travaux d'installation et de câblage électrique doivent être effectués par des personnes qualifiées conformément à tous les codes et normes applicables, y compris la construction résistante au feu.
- c) Une quantité suffisante d'air est nécessaire pour assurer une combustion et une évacuation correctes des gaz à travers la cheminée de l'équipement de combustion du carburant afin d'éviter le retour de courant. Suivez les directives du fabricant de l'équipement de chauffage et les normes de sécurité telles que celles publiées par l'Association nationale de protection contre les incendies (NFPA), et l'American Society for Heating, Refrigeration and Air Conditioning Engineers (ASHRAE) et les autorités locales.
- d) Lors de la coupe ou du perçage dans le mur ou le plafond, ne pas endommager le câblage électrique et les autres services publics cachés.
- e) Les ventilateurs canalisés doivent toujours être ventilés vers l'extérieur.

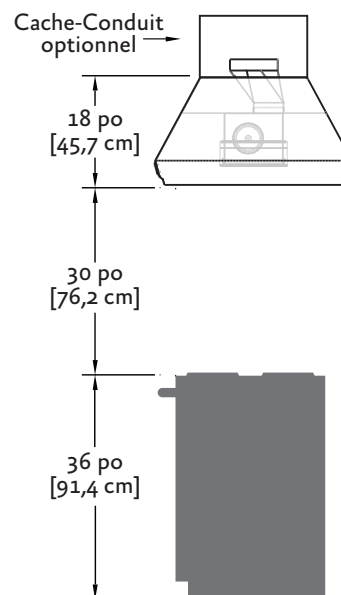


AVERTISSEMENT POUR RÉDUIRE LE RISQUE D'INCENDIE, UTILISEZ UNIQUEMENT DES CONDUITS MÉTALLIQUES.

POUR RÉDUIRE LE RISQUE D'INCENDIE OU D'ÉLECTROCUTION, NE PAS UTILISER CE VENTILATEUR AVEC UN DISPOSITIF DE COMMANDE DE VITESSE À L'ÉTAT SOLIDE.

DÉTAILS D'INSTALLATION

1. Lisez attentivement toutes les instructions avant de commencer l'installation. Remarque: Ces instructions s'appliquent uniquement aux hottes de Hestan.
 - Voir «BONNE PRATIQUE DE CANALISATION» à la page 10.
 - Poids et taille: Pour une installation en toute sécurité, au moins deux personnes doivent être présentes pour soulever et maintenir la hotte. Pour les grandes hottes et les installations avec des cache-conduits, il est conseillé d'avoir une troisième personne présente pour aider. Pour le poids des hottes, voir le tableau des dimensions à la page 13 et «Cache-Conduits» à la page 16.
2. Lors de l'installation d'une hotte îlot, il est recommandé que le bord inférieur de la hotte ne soit pas situé à plus de 30 po [76,2 cm] au-dessus de la surface de cuisson pour une performance optimale.
3. Si vous utilisez un cache-conduit:
 - a) Retirez le couvercle du conduit de son emballage et retirez les vis de fixation de la hotte de la base du cache-conduit.
 - b) Installez le cache-conduit sur la structure porteuse au plafond en utilisant le matériel approprié à travers les quatre brides de montage du coin intérieur sur la partie supérieure du cache-conduit.
4. Installez le conduit de l'extérieur de la maison jusqu'à l'emplacement de la sortie d'échappement au sommet de la



INSTALLATION (SUITE)

transition incluse de la hotte, plus 1 po [2,5 cm]. Cela permettra à la transition de s'engager de 1 po [2,5 cm] à l'intérieur du conduit. Consultez les schémas de raccordement (sur les pages suivantes) pour plus de détails sur le placement de la sortie d'échappement.

- Utilisez du ruban adhésif HVAC métallique (pas de ruban adhésif en toile grise) pour sceller tous les joints. Voir "ACCESSOIRES DE VENTILATION" à la page 17 pour une liste des matériaux de canalisation Hestan disponibles.

FR

HAUTEURS DE CONNEXION

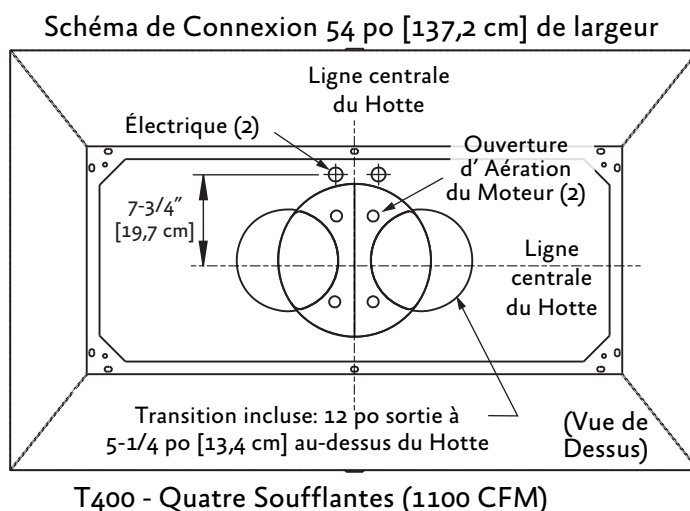
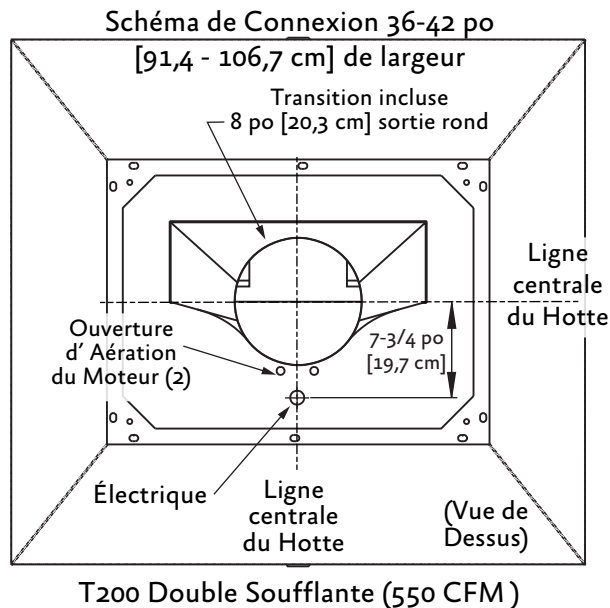
Double Ventilateurs (T200 = 550 CFM):

Le haut de la transition incluse est à 3 po [7,6 cm] au-dessus de la hotte. Le conduit doit s'étendre jusqu'à 2 po [5,1 cm] au-dessus de la surface de montage de la hotte.

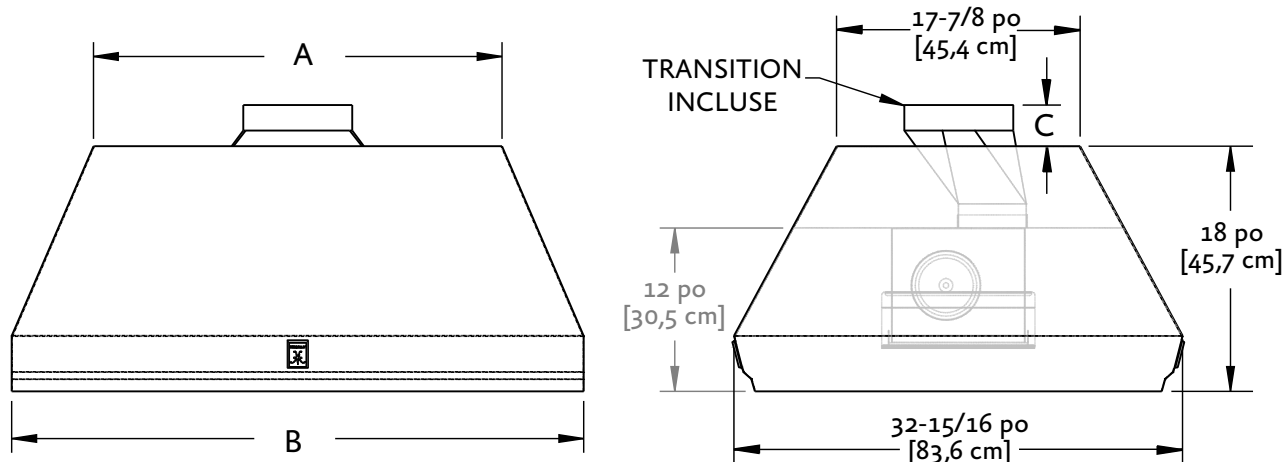
Quatre Ventilateurs (T400 = 1100 CFM):

Le haut de la transition incluse est à 5-1/4 po [13,3 cm] au-dessus de la hotte. Le conduit doit s'étendre à 4-1/4 po [10,8 cm] au-dessus de la surface de montage de la hotte.

DIAGRAMMES DE CONNEXION



DIMENSIONS DES KVI36, KVI42, KVI54



FR

MODÈLE	POIDS	A	B	C	Connexion de Conduit
KVI36	95 lbs. [42 kg]	24 po [61,0 cm]	36 po [91,4 cm]	3 po [7,6 cm]	8 po [20,3 cm]
KVI42	116 lbs. [53 kg]	30 po [76,2 cm]	42 po [106,7 cm]	3 po [7,6 cm]	8 po [20,3 cm]
KVI54	188 lbs. [85 kg]	42 po [106,7 cm]	54 po [137,2 cm]	5,25 po [13,3 cm]	12 po [30,5 cm]

5. Préparez une surface protectrice sur le sol ou le comptoir pour la hotte. Retirez la hotte de son emballage et mettez la transition de côté. Ensuite, placez la hotte à l'envers sur la surface de protection pour accéder à l'intérieur de la hotte.
6. Retirez le(s) bouclier(s) et le(s) boîtier(s) de la soufflante comme suit:
 - a) Retirez le ruban d'expédition qui attache le(s) bouclier(s) de la soufflante à l'intérieur de la hotte.
 - b) Retirez le(s) bouclier(s) comme décrit à la section «RETRAIT DE LA BOUCLIER» à la page 6.
 - c) Fermez doucement le(s) porte(s) amortissante du côté supérieur de la hotte.
 - d) Retirez le(s) boîtier(s) de la soufflante comme décrit à la section «RETRAIT DE LA BOÎTIER DE SOUFFLANTE» à la page 6.

AVERTISSEMENT

ASSUREZ-VOUS QUE LE PANNEAU D'ALIMENTATION / DISJONCTEUR EST HORS TENSION PENDANT LE SERVICE OU L'INSTALLATION.

7. Retirez l'ensemble de la soufflante en retirant les 12 vis situées autour de la plaque de montage de la soufflante. Débranchez le(s) connecteur(s) électrique(s) et placez l'ensemble de côté, en prenant soin de ne pas endommager les roues du ventilateur.

8. PRÉPARATION DU CÂBLAGE

- a) Installez un serre-câble électrique approprié homologué UL de 1/2 po à travers la ou les sangles électriques situées sur le dessus du tablier de la hotte.
- b) Installez le câblage électrique du panneau de service à l'emplacement de la hotte pour chaque ventilateur. Consultez les schémas de connexion (pages précédentes) pour plus de détails sur le placement électrique. Voir «ALIMENTATION ÉLECTRIQUE ET MISE À LA TERRE» à la page 1 pour les exigences d'alimentation.
- c) Soutenez la hotte sous l'endroit où elle sera suspendue et introduisez le ou les fils électriques dans les serre-fils. Serrer le ou les serre-câble.

9. Relevez la hotte en position finale et fixez-le:

- a) Si vous montez le structure porteuse au plafond, utilisez le matériel approprié.
- b) En cas de montage sur un cache-conduit, utilisez les vis retirées précédemment à l'étape 3.

10. CONNEXION DU CÂBLAGE:

À l'intérieur de la hotte, à l'aide des écrous de câblage homologués UL, fixez les fils «neutres» aux fils blancs, les fils «chauds» aux fils noir, et le fil de terre à la fil verte à l'intérieur de la (des) boîte(s) du moteur(s).



AVERTISSEMENT

NE PAS UTILISER LA HOTTE SANS UNE MISE À LA TERRE APPROPRIÉE.

11. Installation / connexion à l'ensemble de la soufflante:

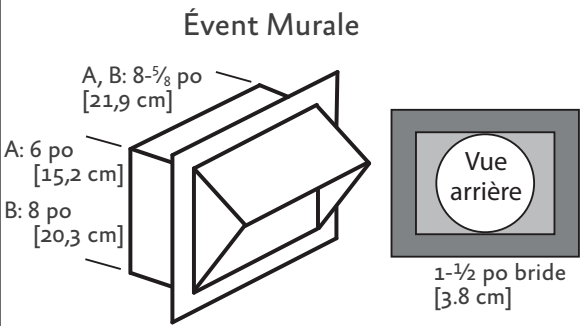
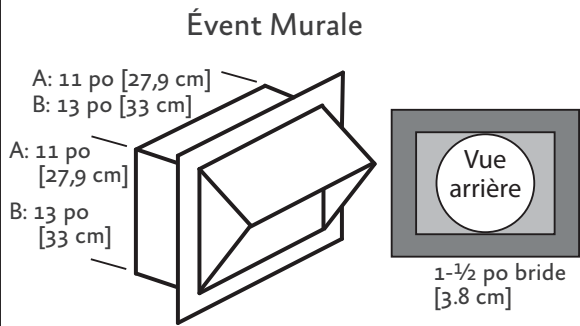
- a) Fixez la transition à l'ensemble de la soufflante et scellez-la avec du ruban adhésif métallique. La transition doit s'inscrire dans le collet de sortie de la soufflante.
- b) Rebranchez le(s) connecteur(s) électrique(s). Pour les assemblages avec deux connecteurs, connectez le faisceau de câbles droit au connecteur avant et le faisceau de câbles gauche au connecteur arrière.
- c) Tout en prenant soin d'aligner correctement le raccordement de la transition et la conduit du plafond, réinstallez l'ensemble de la soufflante dans la hotte à l'aide des 12 vis retirées précédemment à l'étape 7.

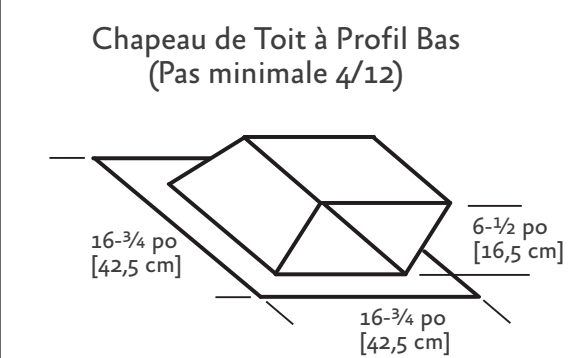
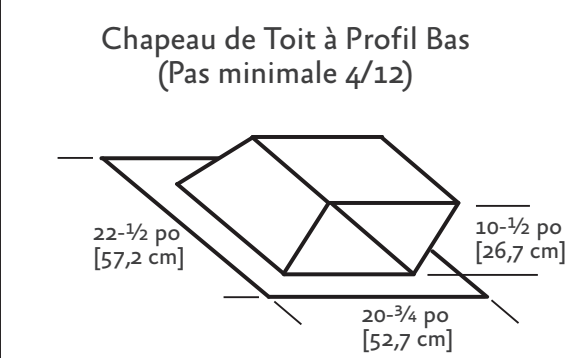
12. Remettez en place le(s) bouclier(s) et le(s) boîtier(s) de la soufflante. Assurez-vous que les porte(s) amortissante du côté supérieur de la hotte, s'ouvrent et se ferment sans à-coups.

13. Mettre l'appareil sous tension, vérifier le fonctionnement: Voir « MODE D'EMPLOI » à la page 5 pour le bon fonctionnement de la hotte. Testez toutes les fonctions de soufflerie et d'éclairage pour vous assurer qu'elles fonctionnent correctement.

ACCESSOIRES DE VENTILATION

FR

Évent Murale			Évent Murale		
 <p>A, B: 8-⁵/₈ po [21,9 cm] A: 6 po [15,2 cm] B: 8 po [20,3 cm] 1-¹/₂ po bride [3,8 cm] Vue arrière</p>			 <p>A: 11 po [27,9 cm] B: 13 po [33 cm] 1-¹/₂ po bride [3,8 cm] Vue arrière</p>		
Article	Modèle	La Description	Article	Modèle	La Description
A	AKVWL6	6 po Rond [15,2 cm]	A	AKVWL10	10 po Rond [25,4 cm]
B	AKVWL8	8 po Rond [20,3 cm]	B	AKVWL12	12 po Rond [30,5 cm]

Chapeau de Toit à Profil Bas (Pas minimale 4/12)		Chapeau de Toit à Profil Bas (Pas minimale 4/12)	
 <p>16-³/₄ po [42,5 cm] 6-¹/₂ po [16,5 cm] 16-³/₄ po [42,5 cm]</p>		 <p>22-¹/₂ po [57,2 cm] 10-¹/₂ po [26,7 cm] 20-³/₄ po [52,7 cm]</p>	
Modèle	La Description	Modèle	La Description
AKVRC6HP	6 po Rond [15,2 cm]	AKVRC10HP	10 po Rond [25,4 cm]
AKVRC8HP	8 po Rond [20,3 cm]	AKVRC12HP	12 po Rond [30,5 cm]

Les informations contenues dans ce document sont susceptibles d'être modifiées à tout moment sans préavis.

CACHE-CONDUIT

FR

NO. MODÈLE	DESCRIPTION	POIDS	UTILISÉ AVEC MODÈLE DU VENTILATEUR
KVDCI3612-XX	CACHE-CONDUIT, VENTILATION, 24W X 18 X 12H	12,3 lb [6 kg]	KVI36
KVDCI3624-XX	CACHE-CONDUIT, VENTILATION, 24W X 18 X 24H	22,8 lb [10 kg]	KVI36
KVDCI3636-XX	CACHE-CONDUIT, VENTILATION, 24W X 18 X 36H	33,3 lb [15 kg]	KVI36
KVDCI4212-XX	CACHE-CONDUIT, VENTILATION, 30W X 18 X 12H	14,1 lb [6 kg]	KVI42
KVDCI4224-XX	CACHE-CONDUIT, VENTILATION, 30W X 18 X 24H	26,1 lb [12 kg]	KVI42
KVDCI4236-XX	CACHE-CONDUIT, VENTILATION, 30W X 18 X 36H	38,1 lb [17 kg]	KVI42
KVDCI5412-XX	CACHE-CONDUIT, VENTILATION, 42W X 18 X 12H	17,8 lb [8 kg]	KVI54
KVDCI5424-XX	CACHE-CONDUIT, VENTILATION, 42W X 18 X 24H	32,7 lb [15 kg]	KVI54
KVDCI5436-XX	CACHE-CONDUIT, VENTILATION, 42W X 18 X 36H	47,7 lb [22 kg]	KVI54

REMARQUE: -XX indique le modèle de couleur.

-BK pour Stealth - Noir

-YW pour Sol - Jaune

-PP pour Lush - Violet

-GG pour Pacific Fog - Gris Graphite

-WH pour Froth - Blanc

-OR pour Citra - Orange

-BU pour Prince - Bleu

-RD pour Matador - Rouge

-BG pour Tin Roof - Bourgogne

-GR pour Grove - Vert

-TQ pour Bora Bora - Turquoise

PIÈCES / SERVICE

ENREGISTREMENT DE DONNÉES DE SERVICE

La plaque signalétique contient le numéro de modèle et le numéro de série de l'appareil. Voir «PLAQUE SIGNALÉTIQUE» à la page 4 pour l'emplacement de la plaque signalétique.

C'est le bon moment pour écrire cette information dans l'espace ci-dessous. Conservez votre facture pour la validation de la garantie.

Numéro de modèle _____

Numéro de série _____

Date d'installation ou d'occupation _____

FR

LISTE DES PIÈCES

Visiter le site Web Hestan pour consulter la liste des pièces de ce produit:
www.hestanhome.com.

SERVICE

Toutes les réparations couvertes ou non par la garantie doivent être effectuées par un personnel qualifié. Pour trouver un agent de service agréé dans votre région, appelez le service après-vente de Hestan. Avant d'appeler, préparez le numéro de modèle et le numéro de série de l'appareil.

Hestan Commercial Corporation
3375 E. La Palma Avenue
Anaheim, CA 92806
(888) 905-7463

GARANTIE LIMITÉE

ÉLÉMENTS COUVERTS PAR LA PRÉSENTE GARANTIE LIMITÉE :

Hestan Commercial Corporation («HCC») garantit à l'acheteur initial d'un produit de cuisson d'intérieur Hestan (le «Produit») auprès d'un revendeur agréé HCC que le Produit est exempt de tout défaut de matériaux ou de fabrication pendant une période de trois (3) ans à compter de la date de livraison à l'acheteur après l'achat au détail initial ou de la date de clôture pour une nouvelle construction, selon la date la plus tardive («Période de garantie limitée»). HCC s'engage à réparer ou à remplacer, à sa seule discrétion, toute pièce ou tout composant du produit qui s'avère défectueux en raison de vices de matériaux ou de fabrication pendant la période de garantie limitée. La présente garantie limitée n'est pas transférable et ne s'étend pas à d'autres personnes que l'acheteur initial («Acheteur»). La présente garantie limitée n'est valable que pour les produits (i) achetés et reçus auprès d'un revendeur agréé HCC, (ii) livrés à un consommateur après l'achat, et (iii) qui, après cette livraison, restent continuellement situés dans les cinquante États-Unis, le district de Columbia et le Canada. Les événements qui annuleront cette garantie comprennent l'achat, la livraison ou le déplacement des produits vers un lieu situé en dehors des cinquante États-Unis, du district de Columbia et du Canada. La présente garantie limitée s'applique uniquement aux produits utilisés à des fins non commerciales et ne s'étend pas aux produits utilisés dans des applications commerciales.

GARANTIE LIMITÉE (SUITE)

MARCHE À SUIVRE POUR UNE RÉPARATION AU TITRE DE LA GARANTIE :

En cas de défaillance du Produit pendant la Période de Garantie Limitée pour des raisons couvertes par la présente Garantie Limitée, l'Acheteur doit contacter immédiatement le revendeur auprès duquel il a acheté le Produit ou HCC au 888.905.7463.

Il incombe à l'Acheteur de rendre le Produit raisonnablement accessible aux fins de réparation ou de défrayer la mise à disposition raisonnable du Produit aux fins de réparation. La réparation sera effectuée pendant les heures d'ouverture normales du Centre de réparation agréé par Hestan. Dans la mesure où l'Acheteur demande une réparation en dehors des heures d'ouverture normales du Centre de réparation agréé par Hestan, l'Acheteur devra déboursier la différence entre le tarif normal et celui des heures supplémentaires ou des primes. L'Acheteur doit régler tous les frais de déplacement excédants 80 km [50 milles] (dans un sens) par rapport au Centre de réparation le plus près agréé par Hestan.

PROLONGATION DE LA PÉRIODE DE GARANTIE LIMITÉE DE TROIS ANS :

En plus de la garantie limitée de trois ans, les composants qui suivent bénéficient d'une prolongation de la garantie comme expressément énoncé ci-après:

1. Les brûleurs à gaz (à l'exclusion de l'apparence), les éléments chauffants électriques, les moteurs de soufflerie (hottes de ventilation), les cartes de commande électroniques, les tubes magnétron et les générateurs d'induction (le cas échéant) sont garantis contre tout défaut de matériau et de fabrication dans des conditions normales d'utilisation et d'entretien non commerciales pendant une période de cinq (5) ans à compter de la date de livraison à l'acheteur d'origine. Cette garantie exclut la corrosion superficielle, les rayures et la décoloration qui peuvent survenir au cours d'une utilisation normale et se limite au remplacement de la ou des pièces défectueuses, l'acheteur prenant à sa charge tous les autres coûts, y compris les frais de main-d'œuvre, d'expédition et de manutention, le cas échéant.

ÉLÉMENTS NON COUVERTS PAR LA PRÉSENTE GARANTIE LIMITÉE :

La présente Garantie Limitée ne couvre pas ce qui suit et exclut toute responsabilité financière de HCC relatives à : tous dommages ou vices affectant tout Produit non acheté chez un revendeur agréé HCC; variations de coloris dans la finition ou autres dommages esthétiques; panne ou dommages dus à une utilisation abusive ou erronée, un accident, un incendie, une catastrophe naturelle, un usage commercial du Produit, une interruption de l'alimentation électrique ou en gaz du Produit; dommages résultant d'une modification, d'une installation ou utilisation inappropriée du Produit; dommages résultant de la réparation ou du remplacement incorrect ou sans autorisation de tout composant ou pièce du Produit; dommages résultant d'un service après-vente assuré par quiconque autre qu'un agent ou représentant agréé du réseau commercial de Hestan; usure normale et détérioration; dommages résultant de l'exposition du Produit à une atmosphère corrosive contenant du chlore, du fluor ou toute autre substance chimique nuisible; dommages résultant de l'absence d'un entretien normal du Produit; dommages dont HCC n'a pas été avisé ou qui se sont produits après l'expiration de la Période de Garantie Limitée; dommages accessoires et indirects causés par tout vice de matériaux ou de fabrication.

ARBITRAGE :

La présente Garantie Limitée est régie par la Loi fédérale sur l'arbitrage. Tout litige opposant l'Acheteur à HCC et relatif au Produit ou à la présente Garantie Limitée doit être résolu par voie d'arbitrage exécutoire exclusivement sur une base individuelle avec l'acheteur. L'arbitrage sera effectué par l'Association Américaine d'Arbitrage (American Arbitration Association, « AAA ») conformément à ses règles d'arbitrage pour la protection du consommateur ou par JAMS. L'audience d'arbitrage se tiendra devant un arbitre nommé par l'AAA ou par JAMS. L'arbitre ne devra procéder à aucun arbitrage collectif et l'acheteur devra renoncer à tout recours contre HCC en qualité de représentant de tiers.

GARANTIE LIMITÉE (SUITE)

LIMITATION DE RESPONSABILITÉ :

La présente Garantie Limitée constitue l'accord définitif, intégral et exclusif entre HCC et l'acheteur relativement au Produit.

IL N'EXISTE AUCUNE GARANTIE EXPRESSE AUTRE QUE CELLES ÉNUMÉRÉES ET DÉCRITES CI-DESSUS. AUCUNE GARANTIE EXPRESSE OU IMPLICITE, Y COMPRIS SANS S'Y LIMITER, TOUTE GARANTIE IMPLICITE DE QUALITÉ MARCHANDE OU D'ADAPTATION À UN USAGE PARTICULIER NE S'APPLIQUERA APRÈS L'EXPIRATION DE LA PÉRIODE DE GARANTIE LIMITÉE INDIQUÉE CI-DESSUS. AUCUNE GARANTIE EXPRESSE APPLICABLE À CE PRODUIT OFFERTE PAR UNE PERSONNE OU ENTREPRISE QUELCONQUE N'ENGAGERA HCC. HCC NE GARANTIT EN AUCUNE FAÇON L'ADAPTATION DU PRODUIT À UN USAGE PARTICULIER, SAUF DISPOSITION CONTRAIRE DE LA LÉGISLATION APPLICABLE. HCC N'ASSUME AUCUNE RESPONSABILITÉ POUR TOUT MANQUE À GAGNER, IMPOSSIBILITÉ DE RÉALISER DES ÉCONOMIES OU AUTRES AVANTAGES NI POUR TOUT AUTRE DOMMAGE PARTICULIER, DIRECT OU INDIRECT CAUSÉ PAR L'UTILISATION, L'USAGE ABUSIF OU L'INCAPACITÉ D'UTILISER CE PRODUIT, QUELLE QUE SOIT LA THÉORIE JURIDIQUE SUR LAQUELLE SE FONDE LA DEMANDE, MÊME SI HCC EST INFORMÉ DE LA POSSIBILITÉ DE TELS DOMMAGES. AUCUN RECOURS AUPRÈS DE HCC NE SERA SUPÉRIEUR AU PRIX D'ACHAT DU PRODUIT. SANS LIMITER LA PORTÉE DE CE QUI PRÉCÈDE, VOUS ASSUMEZ TOUS LES RISQUES ET LA RESPONSABILITÉ DES PERTES, DOMMAGES OU BLESSURES ET DÉGÂTS MATÉRIELS SUBIS PAR VOUS-MÊMES ET DES TIERS RÉSULTANT DE L'UTILISATION, DE L'USAGE ABUSIF OU DE L'INCAPACITÉ D'UTILISER CE PRODUIT, QUI NE SONT PAS CAUSÉS DIRECTEMENT PAR LA NÉGLIGENCE DE HCC. LA PRÉSENTE GARANTIE LIMITÉE ÉNONCE VOTRE RECOURS EXCLUSIF.

Aucune déclaration ni aucun engagement verbal ou écrit de la part de qui que ce soit, y compris sans s'y limiter un employé, représentant ou agent de HCC, ne créera une garantie ni élargira en quoi que ce soit la portée de la présente Garantie Limitée expresse de trois ans. En cas de divergence entre la présente Garantie Limitée et tout autre accord ou déclaration lié ou relatif au Produit, cette Garantie s'appliquera alors. Si une disposition quelconque de la présente Garantie Limitée est déclarée invalide ou inapplicable, elle sera réputée modifiée dans la limite nécessaire pour la rendre applicable et le reste de la Garantie Limitée restera valide et applicable selon ses modalités.

INTERACTION ENTRE CERTAINES LOIS ET LA PRÉSENTE GARANTIE LIMITÉE :

Il est possible que certains États, provinces et territoires n'autorisent pas la limitation de durée d'une garantie implicite ni l'exclusion ou la restriction des dommages directs ou indirects. Les limitations ou exclusions qui précèdent peuvent par conséquent ne pas être applicables. Il est possible que certains États, provinces ou territoires prévoient d'autres droits et recours en matière de garantie. Les dispositions de la présente Garantie Limitée n'ont pas pour but de limiter, modifier, restreindre, nier ni exclure les conditions obligatoires de garantie prévues par des États, provinces ou territoires, y compris certaines garanties implicites. La présente garantie confère des droits précis, auxquels peuvent s'ajouter d'autres droits qui varient selon le lieu.

Toute question relative à la présente Garantie Limitée peut être adressée à
Hestan Commercial Corporation au (888) 905-7463

FR

**RETAIN THIS MANUAL FOR FUTURE REFERENCE
CONSERVEZ CE MANUEL POUR UNE RÉFÉRENCE FUTURE**



Hestan Commercial Corporation

3375 E. La Palma Ave.
Anaheim, CA 92806
(888) 905-7463