

# INSTALLATION

## Before Installing

### Before You Begin

Installation and service must be performed by a qualified installer.

Important: Save these instructions for the local electrical inspector's use. Read and save these instructions for future reference.

Read these instructions completely and carefully.

### CAUTION

- If storage is located under the cooktop, do not use it to store flammable or heat-sensitive items such as detergents, aerosols, cleaners, water, food, or plastics.

### NOTE

Installer:

- Read all installation instructions before installing the cooktop.
- Remove all packing material before connecting the electrical supply to the cooktop.
- Observe all governing codes and ordinances.
- Only certain cooktop models may be installed over certain built-in electric oven models.
- Be sure to leave these instructions with the consumer.

### NOTE

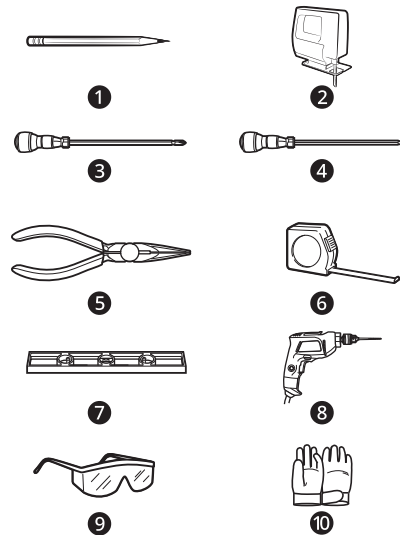
Consumer:

- Keep the owner's manual and installation instructions for future reference.

### NOTE

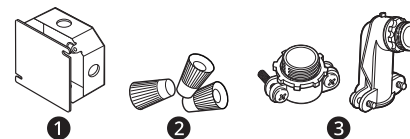
- This appliance must be properly grounded.
- Damage caused by failure to follow these instructions is not covered by the cooktop warranty.

## Tools Needed



- 1 Pencil
- 2 Saber Saw
- 3 Phillips Screwdriver
- 4 Flat-Blade Screwdriver
- 5 Pliers
- 6 Tape Measure
- 7 Level
- 8 Drill
- 9 Safety Glasses
- 10 Gloves

## Parts not Provided



- 1 Junction Box
- 2 Wire Nuts
- 3 Strain Relief (Conduit Connector)

## 10 INSTALLATION

### Unpacking the Cooktop

ceramic-glass cooktop be pretreated before use. See Care and Cleaning.

- 1 Unpack and visually inspect the cooktop for any damage or missing components.
- 2 Be sure the bottle of cleaner and conditioner packed in the literature bag is left where the user can find it easily. It is important that the

#### Model and Serial Number Location

The model and serial numbers are located on a plate on the bottom of the cooktop. Please record them in this guide; you will need them for warranty registration.

### Technical Specifications

Models		LCE3010SBE		
<b>Description</b>		Radiant Cooktop		
<b>Electrical Specifications</b>	<b>Connection voltage</b>	240/208 VAC 60 Hz., 32.1 A/27.9 A		
	<b>Maximum connected power load</b>	7700 W/5800 W		
<b>Cooktop Dimensions</b>		30 27/32" (783 mm) (W) x 4" (101.6 mm) (H) x 21 15/32" (545 mm) (D)		
<b>Countertop Cutout Dimensions</b>		Standard Installation 29 3/8" (746 mm) (W) x 20 1/4" (515 mm) (D)		
<b>Cooking Zones LCE3010SBE</b>	Front Left	6 7/16" (163 mm)	1200 W	
	Front Right	9 15/16"/6" (253 mm/152 mm)	3000 W/1400 W	
	Rear Left	8 3/4" (223 mm)	1900 W	
	Rear Right	6" (152 mm)	100 W (Warm)	
	Center	7 5/8" (193 mm)	1500 W	

Models		LCE3610SBE		
<b>Description</b>		Radiant Cooktop		
<b>Electrical Specifications</b>	<b>Connection voltage</b>	240/208 VAC 60 Hz., 38.3 A/33.2 A		
	<b>Maximum connected power load</b>	9200 W/6900 W		
<b>Cooktop Dimensions</b>		36 11/16" (932 mm) (W) x 4" (101.6 mm) (H) x 21 15/16" (557 mm) (D)		
<b>Countertop Cutout Dimensions</b>		Standard Installation 34 9/16" (878 mm) (W) x 20 3/8" (517 mm) (D)		

Models	LCE3610SBE		
<b>Cooking Zones LCE3610SBE</b>	Front Left	6 7/16" (163 mm)	1200 W
	Front Right	9 15/16"/6" (253 mm/ 152 mm)	3000 W/1400 W
	Rear Left	8 3/4"/5" (223 mm/127 mm)	1900 W/950 W
	Rear Right	6" (152 mm)	100 W (Warm)
	Center	12 5/16"/9"/6" (313 mm/229 mm/152 mm)	3000 W/2200 W/1100 W

ENGLISH

**NOTE**

- The maximum power of each cooking zone depends on the size and material of the cookware used.

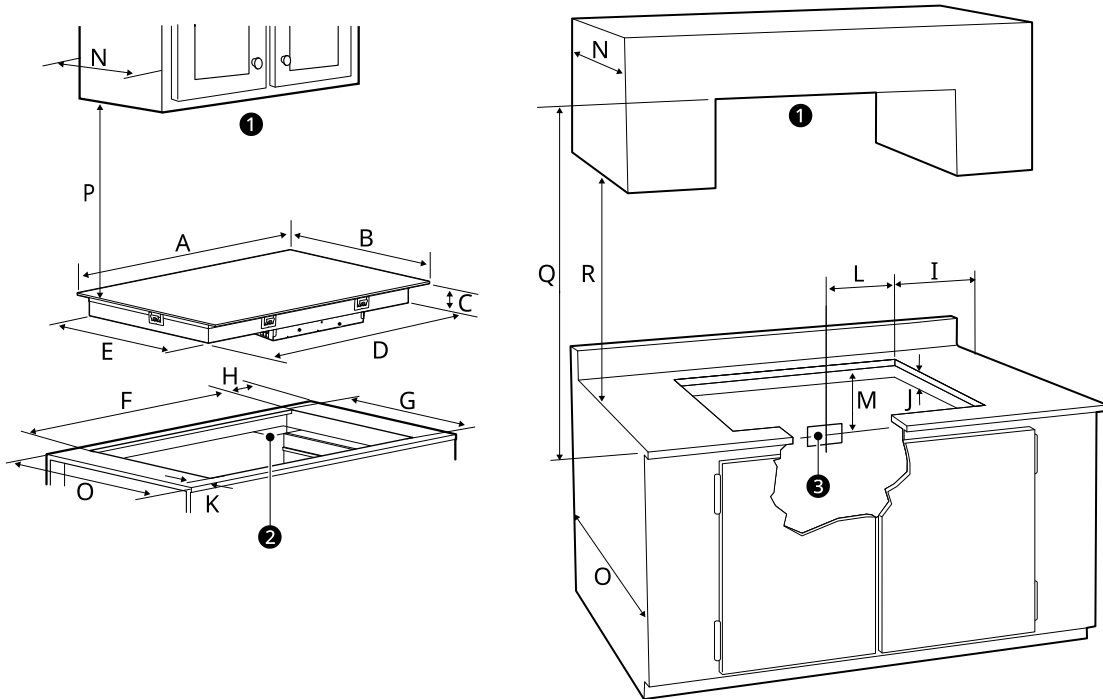
## 12 INSTALLATION

### Preparing the Installation Location

#### Important Installation Information

- All electric cooktops run off a single phase, three-wire or four-wire cable, 240/208 volt, 60 hertz, AC-only electrical supply with ground.
- Minimum distance between cooktop and overhead cabinetry is 30" (762 mm).
- Make sure the cabinets and wall coverings around the cooktop can withstand the temperatures (up to 93 °C [200 °F]) generated by the cooktop.

#### Dimensions and Clearances



- ❶ Do not obstruct these areas.
- ❷ 4" X 8" (102 mm x 203 mm) opening to route armored cable if panel is present.
- ❸ Approximate location of junction box

-	Dimension/Clearance	LCE3010SBE	LCE3610SBE
A	Width of upper plate	30 27/32" (783 mm)	36 11/16" (932 mm)
B	Depth of upper plate	21 15/32" (545 mm)	21 15/16" (557 mm)
C	Height of cooktop base	3 3/4" (95 mm)	
D	Width of cooktop base	28 13/16" (732 mm)	33 27/32" (860 mm)
E	Depth of cooktop base	19 5/8" (498 mm)	19 25/32" (502 mm)
F	Width of cutout	29 3/8" (746 mm)	34 9/16" (878 mm)
G	Depth of cutout	20 1/4" (515 mm)	20 3/8" (517 mm)

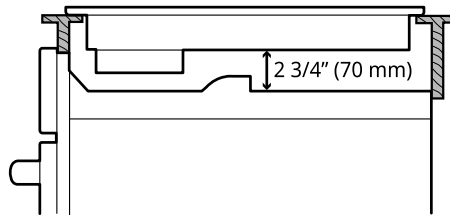
-	Dimension/Clearance	LCE3010SBE	LCE3610SBE
H	Distance from side edge of cutout to side of counter	13/16" (20 mm)	
I	Distance from edge of cooktop to nearest combustible wall (either side of unit)	≥ 3 3/4" (95 mm)	
J	Height below cutout (Empty space is needed underneath the cooktop for installation purposes.)	≥ 5 23/32" (145 mm)	
K	Distance from front of counter to front edge of cutout	2 1/2" (64 mm)	
L	Junction box (approximate location)	10" (254 mm)	
M	Junction box (approximate location)	12" (305 mm)	
N	Depth of overhead cabinets	≤ 13" (330 mm)	
O	Depth of bottom cabinets	24" (610mm)	
P	Clearance from top of cooking surface to bottom of overhead cabinets	≥ 30" (762 mm)	
Q	Distance between rear edge of cutout and nearest combustible surface.	≥ 36" (914 mm)	
R	Clearance from countertop to bottom of adjacent cabinets	≥ 18" (457 mm)	

All dimensions are stated in inches and millimeters (mm).

Allow 2" (50 mm) below the armored cable opening to clear the electric cable and allow space for installation of the junction box on the wall at the back of the cooktop.

**CAUTION**

- To eliminate the risk of burns or fire by reaching over heated surfaces, cabinet storage space located above the cooktop should be avoided. If cabinet storage is provided, risk can be reduced by installing a range hood that projects horizontally a minimum of 5" (127mm) beyond the face of the cabinets.
- It is very important to keep 2 3/4" (70 mm) distance between the cooktop and an oven installed below it.



## Installing the Cooktop

### Electrical Connections

- This cooktop must be electrically grounded in accordance with local codes or, in their absence, with the National Electrical Code ANSI/NFPA No. 70, latest edition in the United States.

### Important Safety Instructions

- Be sure the cooktop is installed and grounded properly by a qualified installer or service technician.

## 14 INSTALLATION

### **⚠ WARNING**

- The electrical power to the cooktop must be shut off while line connections are being made. Failure to do so could result in serious injury or death.

### Providing the Electrical Connection

- Install the junction box under the cabinet and run 120/240 or 120/208 Volt, AC wire from the main circuit panel.

### **NOTE**

- DO NOT connect the wire to the circuit panel at this time.

### Electrical Requirements

Observe all governing codes and local ordinances

- 1** A 3-wire or 4-wire single-phase 120/240 or 120/208 Volt, 60 Hz AC-only electrical supply is required on a separate circuit fused on both sides of the line (time-delay fuse or circuit breaker is recommended). DO NOT fuse neutral. The fuse size must not exceed the circuit rating of the appliance specified on the nameplate.
- 2** 36" Radiant cooktop can consume up to 9200 W at 240 VAC. A 50 Amp circuit breaker with #8 AWG must be used. 30" Radiant cooktop can consume up to 7700 W at 240 VAC. A 40 Amp circuit breaker with #8 AWG must be used.

### **⚠ WARNING**

- Do not use an extension cord with this appliance. Doing so may result in a fire, electrical shock, or other personal injury.

### **NOTE**

- Wire sizes and connections must conform to the fuse size and rating of the appliance in accordance with the National Electrical Code ANSI/NFPA No. 70, latest edition, and local codes and ordinances.

- 3** The appliance should be connected to the fused disconnect (or circuit breaker) box through flexible armored or nonmetallic

sheathed cable. The flexible armored cable extending from this appliance should be connected directly to the grounded junction box. The junction box should be located as shown in **Dimensions and Clearances** with as much slack as possible remaining in the cable between the box and the appliance, so it can be moved if servicing is ever necessary.

- 4** A suitable strain relief must be provided to attach the flexible armored cable to the junction box.

### Electrical Connection

Connect the flexible armored cable that extends from the surface unit to the junction box using a suitable strain relief at the point the armored cable enters the junction box. Then make the electrical connection as follows.

Electrical ground is required on this appliance.

This appliance is manufactured with a supply wire and a frame-connected green or bare copper grounding wire.

### **NOTE**

TO ELECTRICIAN:

- The armored cable leads supplied with the appliance are UL-listed for connection to larger gauge household wiring. The insulation of the leads is rated at temperatures much higher than the temperature rating of household wiring. The current-carrying capacity of the conductor wire is governed by the temperature rating of the insulation around the wire, rather than the wire gauge alone.

### **⚠ WARNING**

- DO NOT ground to a gas supply pipe. DO NOT connect to electrical power supply until appliance is permanently grounded. Connect the ground wire before turning on the power.
- This appliance is equipped with a copper conductor flexible cable. If connection is made to aluminum house wiring, use only special connectors which are approved for joining copper and aluminum wires in accordance with the National Electrical Code and local codes and ordinances. Improper connection of aluminum house wiring to copper leads can result in a short circuit or fire. Follow the connector manufacturer's recommended procedure closely.

### Where Local Codes Permit Connecting the Appliance-Grounding Conductor to the Neutral (White) Wire

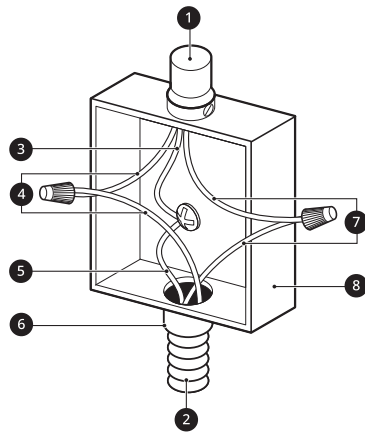
Observe all governing codes and local ordinances.

- 1 Disconnect the power supply.
- 2 At the circuit breaker box, fuse box or junction box, connect appliance and power supply cable wires as shown.

#### **⚠ WARNING**

- You may not ground the cooktop through the neutral (white) wire if cooktop is used in a new branch circuit installation (1996 NEC), mobile home, recreational vehicle, or where local codes do not permit grounding to the neutral (white) wire. When grounding to the neutral (white) wire is prohibited, you must use a 4-wire power supply cable. Failure to heed this warning may result in electrocution or other serious personal injury.

#### 3-Wire Grounded Junction Box



- 1 Cable from Power Supply
- 2 Cable from Cooktop
- 3 White Wire (Neutral)
- 4 Red Wires
- 5 Green Wire (Ground)
- 6 UL-listed Conduit Connector
- 7 Black Wires
- 8 Junction Box

### If Cooktop is Used in a New Branch Circuit Installation (1996 NEC), Mobile Home, Recreational Vehicle, or where Local Codes Do Not Permit Grounding to the Neutral (White) Wire

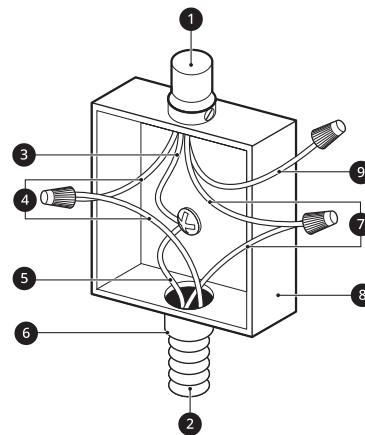
Observe all governing codes and local ordinances.

- 1 Disconnect the power supply.
- 2 At the circuit breaker box, fuse box or junction box, connect appliance and power supply cable wires as shown.

#### **⚠ WARNING**

- If connecting to a 4-wire power supply cable electrical system, the appliance frame connected ground wire **MUST NOT** be connected to the neutral wire of the 4-wire electrical system.

#### 4-Wire Grounded Junction Box

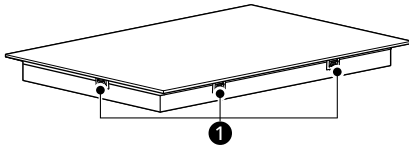


- 1 Cable from Power Supply
- 2 Cable from Cooktop
- 3 Ground Wire
- 4 Red Wires
- 5 Green Wire (Ground)
- 6 UL-listed Conduit Connector
- 7 Black Wires
- 8 Junction Box
- 9 White Wire (No Connection)

## 16 INSTALLATION

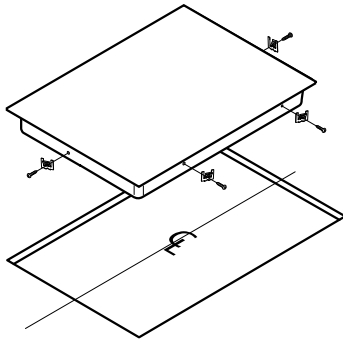
### Installing the Cooktop Unit

- 1 Visually inspect the cooktop for damage. Make sure all cooktop screws **1** are tight (see below for locations).



- 2 Check and prepare the installation location.
  - See **Dimensions and Clearances**.

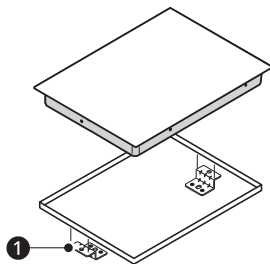
- 3 Carefully lower the cooktop into the countertop cutout, making sure not to trap any wires.



#### NOTE

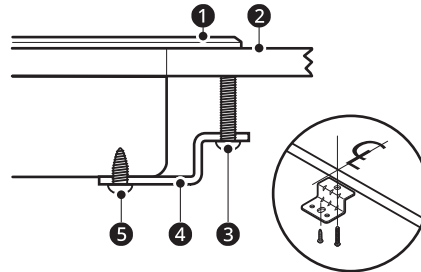
- Do not use caulking compound. The cooktop must be removable, should service be required.

- 4 Attach the retainer brackets **1** to the bottom of the cooktop; then snug the bolts against the bottom of the countertop as shown.



#### NOTE

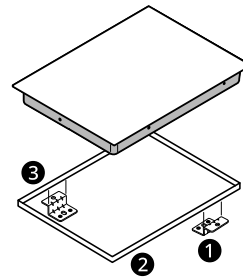
- The retainer brackets **MUST** be installed to meet local codes or, in their absence, with the National Electrical Code ANSI/NFPA No. 70, latest edition.



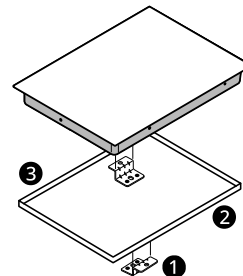
- 1** Cooktop
- 2** Countertop
- 3** Bolt
- 4** Retainer Brackets
- 5** Type A Screw

### Alternative installation

#### LCE3010SBE



#### LCE3610SBE



- 1** Retainer Brackets
- 2** Front
- 3** Rear



## Final Check

Perform a final operational check of the cooktop, making sure the cooktop powers on properly and that each cooking zone operates correctly. Refer to the Operating Instructions in this guide for details.

## 10 INSTALACIÓN

# INSTALACIÓN

## Antes de la instalación

### Antes de comenzar

La instalación y el servicio deben ser realizados por un instalador calificado.

Importante: guarde estas instrucciones para el uso del inspector eléctrico local. Lea y guarde estas instrucciones para futuras consultas.

Lea todas estas instrucciones cuidadosamente.

### ⚠ PRECAUCIÓN

- Si hay lugar de almacenamiento debajo de la placa de cocción, no lo use para guardar artículos inflamables o sensibles al calor, como detergentes, aerosoles, limpiadores, agua, alimentos o plásticos.

### NOTA

Instalador:

- Lea todas las instrucciones de instalación antes de instalar la placa de cocción.
- Retire todo el material de embalaje antes de conectar el suministro eléctrico a la placa de cocción.
- Cumpla todos los códigos y ordenanzas vigentes.
- Solo se pueden instalar ciertos modelos de placas de cocción sobre algunos modelos de hornos eléctricos incorporados.
- Asegúrese de dejar estas instrucciones al usuario.

### NOTA

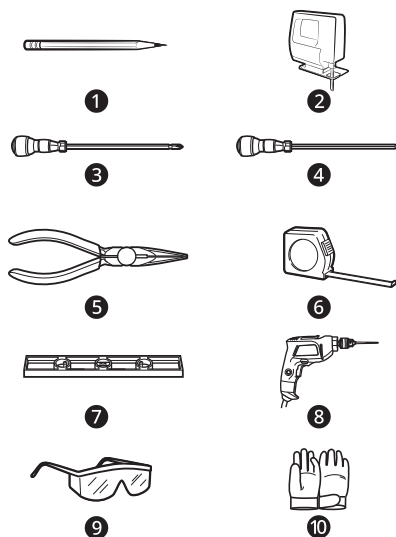
Usuario:

- Guarde el manual del propietario, así como las instrucciones de instalación para futuras consultas.

### NOTA

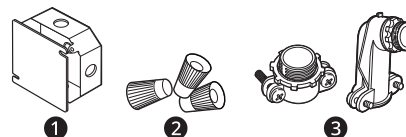
- Este electrodoméstico debe estar conectado a tierra de manera adecuada.
- Los daños causados por el incumplimiento de estas instrucciones no están cubiertos por la garantía de la placa de cocción.

## Herramientas necesarias



- 1 Lápiz
- 2 Sierra caladora
- 3 Destornillador Phillips
- 4 Destornillador de hoja plana
- 5 Pinzas
- 6 Cinta medidora
- 7 Nivel
- 8 Taladro
- 9 Gafas de seguridad
- 10 Guantes

## Piezas no incluidas



- 1 Caja de conexiones
- 2 Tuercas para cables
- 3 Alivio de tensión (Conector de conducto)

## Desembalaje de la placa de cocción

- 1 Desembale e inspeccione visualmente la placa de cocción en busca de daños o componentes faltantes.
- 2 Asegúrese de que la botella del limpiador y acondicionador embalada en la bolsa del manual se deje donde el usuario pueda encontrarla fácilmente. Es importante que se

le haga un tratamiento previo a la placa de cocción de cerámica y vidrio antes de su uso. Ver Cuidado y limpieza.

## Ubicación del modelo y número de serie

El modelo y los números de serie se encuentran en una placa que se encuentra en la parte inferior de la placa de cocción. Escríbalos en esta guía; los necesitará para registrar la garantía.

ESPAÑOL

## Especificaciones técnicas

Modelos		LCE3010SBE	
<b>Descripción</b>		Placa de cocción radiante	
<b>Especificaciones eléctricas</b>	<b>Voltaje de conexión</b>	240/208 VCA 60 Hz., 32.1 A/27.9 A	
	<b>Carga máxima de energía conectada</b>	7700 W/5800 W	
<b>Dimensiones de la placa de cocción</b>		30 27/32" (783 mm) (Ancho) x 4" (101.6 mm) (Alto) x 21 15/32" (545 mm) (Profundidad)	
<b>Dimensiones del recorte del mostrador</b>		Instalación estándar 29 3/8" (746 mm) (Ancho) x 20 1/4" (515 mm) (Profundidad)	
<b>Zonas de cocción LCE3010SBE</b>	Delantera izquierda	6 7/16" (163 mm)	1200 W
	Delantera derecha	9 15/16"/6" (253 mm/152 mm)	3000 W/1400 W
	Trasera izquierda	8 3/4" (223 mm)	1900 W
	Trasera derecha	6" (152 mm)	100 W (Caliente)
	Centro	7 5/8" (193 mm)	1500 W

Modelos		LCE3610SBE	
<b>Descripción</b>		Placa de cocción radiante	
<b>Especificaciones eléctricas</b>	<b>Voltaje de conexión</b>	240/208 VCA 60 Hz., 38.3 A/33.2 A	
	<b>Carga máxima de energía conectada</b>	9200 W/6900 W	
<b>Dimensiones de la placa de cocción</b>		36 11/16" (932 mm) (Ancho) x 4" (101.6 mm) (Alto) x 21 15/16" (557 mm) (Profundidad)	
<b>Dimensiones del recorte del mostrador</b>		Instalación estándar 34 9/16" (878 mm) (Ancho) x 20 3/8" (517 mm) (Profundidad)	

## 12 INSTALACIÓN

Modelos	LCE3610SBE		
<b>Zonas de cocción LCE3610SBE</b>	Delantera izquierda	6 7/16" (163 mm)	1200 W
	Delantera derecha	9 15/16"/6" (253 mm/ 152 mm)	3000 W/1400 W
	Trasera izquierda	8 3/4"/5" (223 mm/127 mm)	1900 W/950 W
	Trasera derecha	6" (152 mm)	100 W (Caliente)
	Centro	12 5/16"/9"/6" (313 mm/229 mm/152 mm)	3000 W/2200 W/1100 W

### NOTA

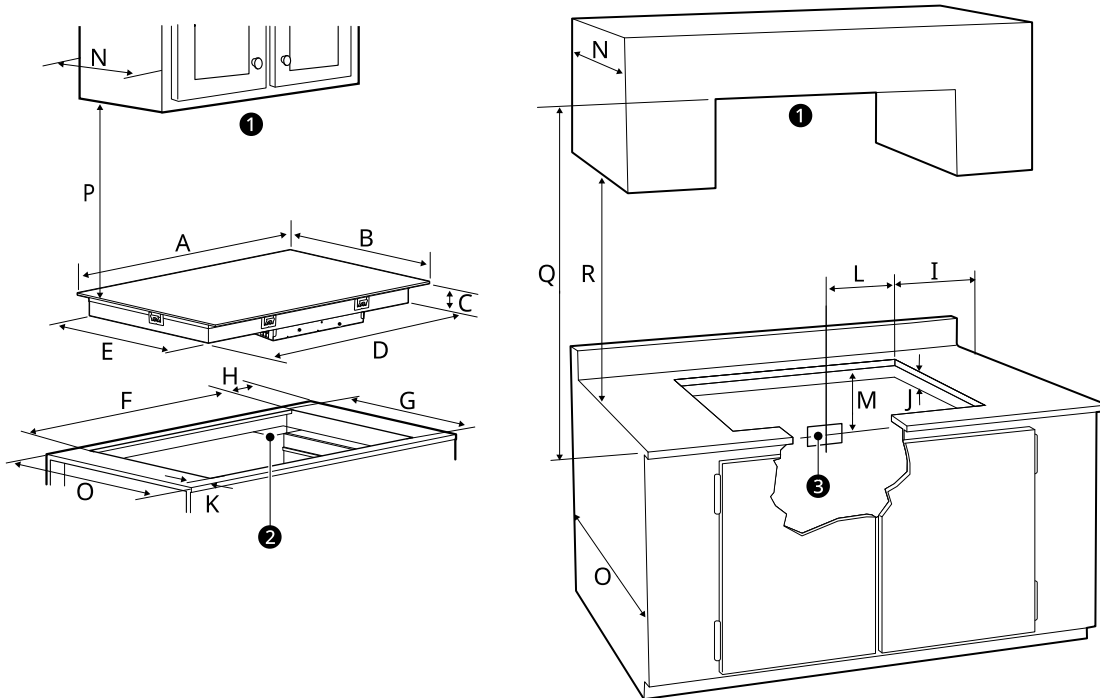
- La potencia máxima de cada zona de cocción depende del tamaño y el material de los utensilios de cocina utilizados.

## Preparación del sitio para la instalación

### Información importante sobre la instalación

- Todas las placas de cocción eléctricas funcionan con suministro eléctrico solo de CA de 240/208 voltios, 60 hercios, mediante un cable monofásico, de tres o cuatro hilos, con descarga a tierra.
- La distancia mínima entre la placa de cocción y los gabinetes superiores es de 30" (762 mm).
- Asegúrese de que los gabinetes y los revestimientos de paredes alrededor de la placa de cocción puedan resistir las temperaturas (hasta 93 °C [200 °F]) generadas por la placa de cocción.

### Dimensiones y Espacios



- ❶ No obstruir estas áreas.
- ❷ Abertura de 4" X 8" (102 mm x 203 mm) para pasar el cable blindado si el panel está presente.
- ❸ Ubicación aproximada de la caja de conexiones

-	Dimensión/Espacio	LCE3010SBE	LCE3610SBE
A	Ancho de la placa superior	30 27/32" (783 mm)	36 11/16" (932 mm)
B	Profundidad de la placa superior	21 15/32" (545 mm)	21 15/16" (557 mm)
C	Altura de la base de la placa de cocción	3 3/4" (95 mm)	
D	Ancho de la base de la placa de cocción	28 13/16" (732 mm)	33 27/32" (860 mm)
E	Profundidad de la base de la placa de cocción	19 5/8" (498 mm)	19 25/32" (502 mm)
F	Ancho de corte	29 3/8" (746 mm)	34 9/16" (878 mm)
G	Profundidad de corte	20 1/4" (515 mm)	20 3/8" (517 mm)

## 14 INSTALACIÓN

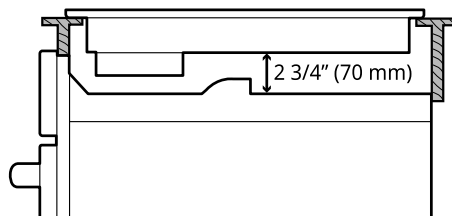
-	Dimensión/Espacio	LCE3010SBE	LCE3610SBE
H	Distancia desde el borde lateral del recorte hasta el lado del mostrador	13/16" (20 mm)	
I	Distancia desde el borde de la placa de cocción hasta la pared combustible más cercana (a ambos lados de la unidad)	$\geq 3 \frac{3}{4}$ " (95 mm)	
J	Altura por debajo del recorte (Se necesita espacio vacío debajo de la placa de cocción para la instalación).	$\geq 5 \frac{23}{32}$ " (145 mm)	
K	Distancia desde el frente del mostrador hasta el borde frontal del recorte	2 1/2" (64 mm)	
L	Caja de conexiones (ubicación aproximada)	10" (254 mm)	
M	Caja de conexiones (ubicación aproximada)	12" (305 mm)	
N	Profundidad de los gabinetes superiores	$\leq 13$ " (330 mm)	
O	Profundidad de los gabinetes inferiores	24" (610mm)	
P	Espacio libre desde la parte superior de la superficie de cocción hasta la parte inferior de los gabinetes superiores	$\geq 30$ " (762 mm)	
Q	Distancia entre el borde posterior del recorte y la superficie combustible más cercana.	$\geq 36$ " (914 mm)	
R	Espacio libre desde el mostrador hasta la parte inferior de los gabinetes adyacentes	$\geq 18$ " (457 mm)	

Todas las dimensiones están expresadas en pulgadas y milímetros (mm).

Deje 2" (50 mm) debajo de la abertura del cable blindado para despejar el cable eléctrico y deje espacio para la instalación de la caja de conexiones en la pared en la parte posterior de la placa de cocción.

### **⚠ PRECAUCIÓN**

- Para eliminar el riesgo de quemaduras o incendio al estirarse sobre las superficies calientes, se debe evitar poner un espacio de almacenamiento en gabinetes ubicado sobre la placa de cocción. Si habrá almacenamiento en gabinetes, el riesgo se puede reducir instalando una campana extractora sobre la cocina, que se proyecte hacia adelante 5" (127mm) como mínimo al frente de los gabinetes.
- Es muy importante mantener una distancia de 2 3/4" (70 mm) entre la placa de cocción y un horno instalado debajo de ella.



## Instalación de la placa de cocción

### Conexiones eléctricas

#### Instrucciones importantes de seguridad

- Asegúrese de que su placa de cocción esté instalada correctamente y con la conexión a tierra adecuada, a cargo de un instalador o técnico de mantenimiento calificado.
- Esta placa de cocción debe estar conectada a tierra eléctricamente de acuerdo con los códigos locales o, en su ausencia, con la última edición del Código Eléctrico Nacional ANSI/NFPA No. 70 de los Estados Unidos.

#### ⚠ ADVERTENCIA

- La energía eléctrica a la placa de cocción debe apagarse mientras se realizan las conexiones de línea. De lo contrario, podría resultar en lesiones graves o la muerte.

#### Instalación de la conexión eléctrica

- Instale la caja de conexiones debajo del gabinete y pase el cable de CA de 120/240 o 120/208 voltios desde el panel de circuito principal.

#### NOTA

- NO conecte el cable al panel de circuitos en este momento.

#### Requisitos eléctricos

Cumpla todos los códigos y las ordenanzas locales vigentes

- 1 Se requiere un suministro eléctrico monofásico de 3 o 4 hilos de 120/240 o 120/208 voltios, solo de CA de 60 Hz en un circuito separado con fusibles a ambos lados de la línea (se recomienda un fusible con retardo o un disyuntor). NO conecte los fusibles al neutro. El tamaño del fusible no debe exceder la clasificación del circuito del electrodoméstico especificado en la placa de especificaciones técnicas.

- 2 La placa de cocción radiante de 36" puede consumir hasta 9200 W a 240 VCA. Se debe utilizar un disyuntor de 50 amperios con AWG n.º 8. La placa radiante de 30" puede consumir hasta 7700 W a 240 VCA. Se debe utilizar un disyuntor de 40 amperios con AWG n.º 8.

#### ⚠ ADVERTENCIA

- No utilice un cable de extensión con este electrodoméstico. De lo contrario, puede provocar un incendio, descarga eléctrica u otra lesión personal.

#### NOTA

- El tamaño de los cables y las conexiones debe ajustarse al tamaño y la clasificación de los fusibles del electrodoméstico de acuerdo con la última edición del Código Eléctrico Nacional ANSI/NFPA No. 70, y los códigos y las ordenanzas locales.

- 3 El electrodoméstico debe conectarse a la caja de desconexión (o disyuntor) con fusibles a través de un cable flexible blindado o con funda no metálica. El cable blindado flexible que se extiende desde este electrodoméstico debe conectarse directamente a la caja de conexiones a tierra. La caja de conexiones debe ubicarse como se muestra en **Dimensiones y Espacios** con la mayor holgura posible en el cable entre la caja y el electrodoméstico, de modo que pueda moverse si alguna vez es necesario realizar reparaciones.

- 4 Se debe proporcionar un alivio de tensión adecuado para conectar el cable blindado flexible a la caja de conexiones.

#### Conexión eléctrica

Conecte el cable blindado flexible que se extiende desde la unidad de superficie hasta la caja de conexiones utilizando un prensacables adecuado en el punto en que el cable blindado ingresa en la caja de conexiones. A continuación, realice la conexión eléctrica como se indica a continuación.

Se requiere una conexión eléctrica a tierra en este electrodoméstico.

Este electrodoméstico se fabrica con un cable de alimentación y un cable de conexión a tierra de cobre verde o desnudo conectado al marco.

## 16 INSTALACIÓN

### NOTA

#### PARA EL ELECTRICISTA:

- Los cables blindados suministrados con el electrodoméstico están homologados por UL para su conexión al cableado doméstico de mayor calibre. El aislamiento de los conductores se clasifica a temperaturas mucho más altas que la clasificación de temperatura del cableado doméstico. La capacidad de conducción de corriente del cable conductor se rige por la clasificación de temperatura del aislamiento alrededor del cable, y no solo por el calibre del cable.

### ⚠ ADVERTENCIA

- NO conecte a tierra a una tubería de suministro de gas. NO conecte a la fuente de alimentación eléctrica hasta que el electrodoméstico esté permanentemente conectado a tierra. Conecte el cable de tierra antes de encender la alimentación.
- El electrodoméstico está equipado con un cable flexible conductor de cobre. Si la conexión se realiza al cableado de aluminio de la casa, use solo conectores especiales que estén aprobados para unir cables de cobre y aluminio de acuerdo con el Código Eléctrico Nacional y los códigos y las ordenanzas locales. La conexión incorrecta del cableado de aluminio de la casa a los cables de cobre puede provocar un cortocircuito o un incendio. Siga atentamente el procedimiento recomendado por el fabricante del conector.

### Cuando los códigos locales permitan conectar el conductor de conexión a tierra del electrodoméstico al cable neutro (blanco)

Cumpla todos los códigos y las ordenanzas locales vigentes.

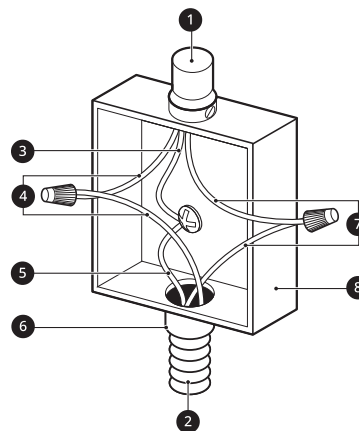
- 1 Desconecte la fuente de energía.
- 2 En la caja del disyuntor, la caja de fusibles o la caja de conexiones, conecte los cables del electrodoméstico y de la fuente de alimentación como se muestra.

### ⚠ ADVERTENCIA

- No puede conectar a tierra la placa de cocción a través del cable neutro (blanco) si la placa de cocción se utiliza en una instalación de un circuito de ramal nuevo (1996 NEC), en una casa

móvil, un vehículo recreativo o cuando los códigos locales no permitan la conexión a tierra al cable neutro (blanco). Cuando se prohíba la conexión a tierra al cable neutro (blanco), se debe usar un cable de fuente de alimentación de 4 hilos. No prestar atención a esta advertencia puede resultar en electrocución u otras lesiones personales graves.

### Caja de conexiones a tierra de 3 hilos



- 1 Cable de la fuente de alimentación
- 2 Cable de la placa de cocción
- 3 Cable blanco (neutro)
- 4 Cables rojos
- 5 Cable verde (tierra)
- 6 Conector de conducto homologado por UL
- 7 Cables negros
- 8 Caja de conexiones

### Si se utiliza una placa de cocción en una instalación de circuito de ramal nuevo (1996 NEC), en una casa móvil, un vehículo recreativo o donde los códigos locales no permita la conexión a tierra al cable neutro (blanco)

Cumpla todos los códigos y las ordenanzas locales vigentes.

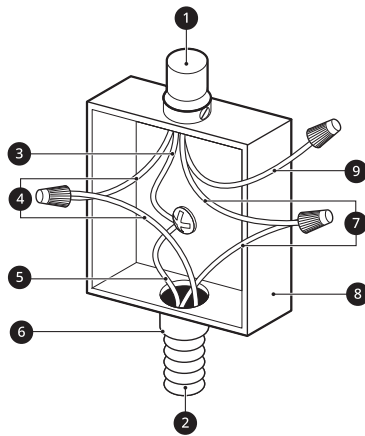
- 1 Desconecte la fuente de energía.
- 2 En la caja del disyuntor, la caja de fusibles o la caja de conexiones, conecte los cables del electrodoméstico y de la fuente de alimentación como se muestra.



### ⚠ ADVERTENCIA

- Si se conecta a un sistema eléctrico de cable de alimentación de 4 hilos, el cable de tierra conectado al marco del electrodoméstico NO DEBE estar conectado al cable neutro del sistema eléctrico de 4 hilos.

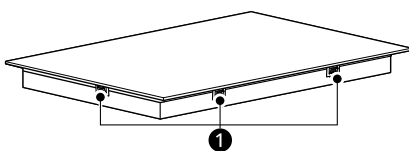
#### Caja de conexiones a tierra de 4 hilos



- ❶ Cable de la fuente de alimentación
- ❷ Cable de la placa de cocción
- ❸ Cable de conexión a tierra
- ❹ Cables rojos
- ❺ Cable verde (tierra)
- ❻ Conector de conducto homologado por UL
- ❼ Cables negros
- ❽ Caja de conexiones
- ❾ Cable blanco (sin conexión)

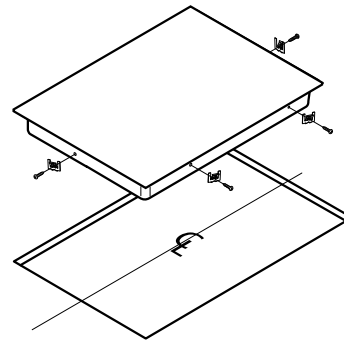
#### Instalación de la unidad de la placa de cocción

- 1 Inspeccione visualmente la placa de cocción en busca de daños. Asegúrese de que todos los tornillos de la placa de cocción ❶ estén ajustados (consulte a continuación las ubicaciones).



- 2 Verifique y prepare la ubicación de instalación.
  - Consulte **Dimensiones y Espacios**.

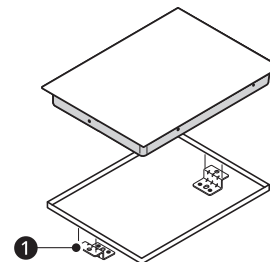
- 3 Baje con cuidado la placa de cocción hacia el corte del mostrador y asegúrese de que no quede atrapado ningún cable.



#### NOTA

- No use compuesto de calafateo. La placa de cocción debe poder retirarse, en caso de que se requiera servicio de mantenimiento.

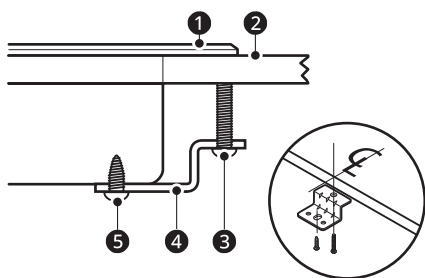
- 4 Instale los soportes de retención ❶ del fondo de la placa de cocción; luego, ajuste los pernos contra la parte inferior del mostrador como se muestra.



#### NOTA

- Los soportes de retención DEBEN instalarse en cumplimiento de los códigos locales o, ante su ausencia, del Código Eléctrico Nacional ANSI/NFPA n.º 70, la edición más reciente.

## 18 INSTALACIÓN

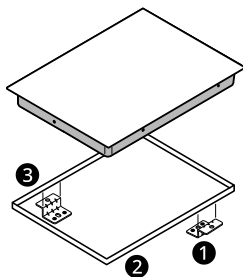


Instrucciones de operación de esta guía para obtener más información.

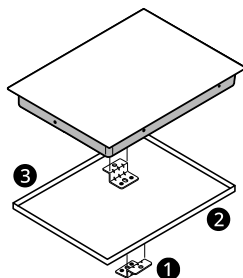
- ❶ Placa de cocción
- ❷ Mostrador
- ❸ Perno
- ❹ Soportes de retención
- ❺ Tornillos tipo A

### Instalación alternativa

#### LCE3010SBE



#### LCE3610SBE



- ❶ Soportes de retención
- ❷ Delante
- ❸ Detrás

### Verificación final

Realice una verificación operativa final de la placa de cocción y asegúrese de que la placa de cocción se encienda correctamente y que cada zona de cocción funcione correctamente. Consulte las

## 10 INSTALLATION

# INSTALLATION

## Avant l'installation

### Avant de commencer

L'installation et l'entretien doivent être effectués par un installateur qualifié.

Important : Gardez ces consignes pour l'inspecteur en électricité local. Lisez et conservez ces instructions pour vous y référer ultérieurement.

Lisez ces instructions complètement et attentivement.

### ⚠ MISE EN GARDE

- Si un espace de rangement se trouve sous la surface de cuisson, ne l'utilisez pas pour entreposer des articles inflammables ou sensibles à la chaleur tels que des détergents, des aérosols, des nettoyants, de l'eau, des aliments ou des plastiques.

### REMARQUE

Installateur :

- Avant d'installer la surface de cuisson, lisez toutes les consignes d'installation.
- Enlevez tous les matériaux d'emballage avant de brancher l'alimentation électrique à la surface de cuisson.
- Respectez tous les règlements en vigueur.
- Seuls certains modèles de surface de cuisson peuvent être installés sur certains modèles de four électrique encastré.
- Assurez-vous de laisser ces consignes au propriétaire.

### REMARQUE

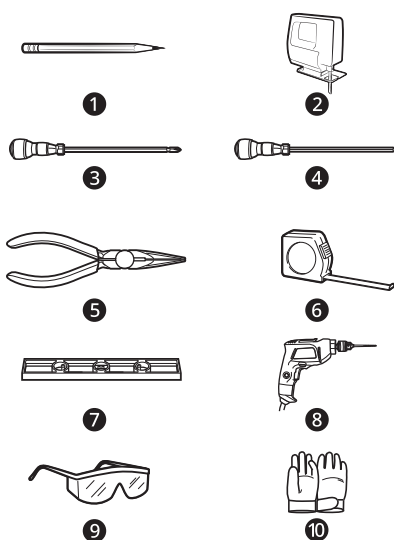
Consommateur :

- Gardez le manuel d'utilisation et les consignes d'installation pour consultation ultérieure.

### REMARQUE

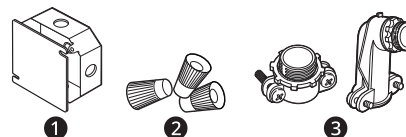
- Cet appareil doit être adéquatement mis à la terre.
- Les dommages causés par le non-respect de ces instructions ne sont pas couverts par la garantie de la surface de cuisson.

## Outils nécessaires



- 1 Crayon
- 2 Scie sauteuse
- 3 Tournevis Phillips
- 4 Tournevis plat
- 5 Pincettes
- 6 Ruban à mesurer
- 7 Niveau
- 8 Perceuse
- 9 Lunettes de protection
- 10 Gants

## Pièces non fournies



- 1 Boîte de jonction
- 2 Capuchons de connexion
- 3 Serre-câble (connecteur de conduit)

## Déballage de la surface de cuisson

- 1 Déballez et inspectez visuellement la surface de cuisson pour détecter tout dommage et vérifier qu'il ne manque aucun composant.
- 2 Assurez-vous que la bouteille de nettoyant contenue dans le sac de documentation est laissée là où l'utilisateur peut la trouver facilement. Il est important de prétraiter la

surface de cuisson en vitrocéramique avant de l'utiliser. Voir la section « Entretien et nettoyage ».

## Emplacement du numéro de modèle et du numéro de série

Le numéro de modèle et le numéro de série se trouvent sur une plaque située au fond de la surface de cuisson. Veuillez les noter dans ce guide; vous en aurez besoin pour l'enregistrement de la garantie.

FRANÇAIS

## Caractéristiques techniques

Modèles		LCE3010SBE	
<b>Description</b>		Surface de cuisson radiante	
<b>Spécifications électriques</b>	<b>Tension de connexion</b>	240 / 208 V c.a., 60 Hz., 32,1 A / 27,9 A	
	<b>Charge électrique maximale connectée</b>	7700 W / 5800 W	
<b>Dimensions de la surface de cuisson</b>		30 27/32 po (783 mm) (L) x 4 po (101,6 mm) (H) x 21 15/32 po (545 mm) (P)	
<b>Dimensions de la découpe du comptoir</b>		Installation standard 29 3/8 po (746 mm) (L) x 20 1/4 po (515 mm) (P)	
<b>Zones de cuisson LCE3010SBE</b>	Avant gauche	6 7/16 po (163 mm)	1200 W
	Avant droit	9 15/16 po/6 po (253 mm / 152 mm)	3000 W / 1400 W
	Arrière gauche	8 3/4 po (223 mm)	1900 W
	Arrière droit	6 po (152 mm)	100 W (Chaleur)
	Centre	7 5/8 po (193 mm)	1500 W

Modèles		LCE3610SBE	
<b>Description</b>		Surface de cuisson radiante	
<b>Spécifications électriques</b>	<b>Tension de connexion</b>	240 / 208 V c.a., 60 Hz., 38,3 A / 33,2 A	
	<b>Charge électrique maximale connectée</b>	9200 W / 6900 W	
<b>Dimensions de la surface de cuisson</b>		36 11/16 po (932 mm) (L) x 4 po (101,6 mm) (H) x 21 15/16 po (557 mm) (P)	
<b>Dimensions de la découpe du comptoir</b>		Installation standard 34 9/16 po (878 mm) (L) x 20 3/8 po (517 mm) (P)	

## 12 INSTALLATION

Modèles	LCE3610SBE		
<b>Zones de cuisson LCE3610SBE</b>	Avant gauche	6 7/16 po (163 mm)	1200 W
	Avant droit	9 15/16 po/6 po (253 mm / 152 mm)	3000 W / 1400 W
	Arrière gauche	8 3/4 po/5 po (223 mm / 127 mm)	1900 W / 950 W
	Arrière droit	6 po (152 mm)	100 W (Chaleur)
	Centre	12 5/16 po/9 po/6 po (313 mm/229 mm/ 152 mm)	3000 W / 2200 W / 1100 W

### REMARQUE

- La puissance maximale de chaque zone de cuisson dépend de la taille et du matériau de l'accessoire de cuisson utilisé.

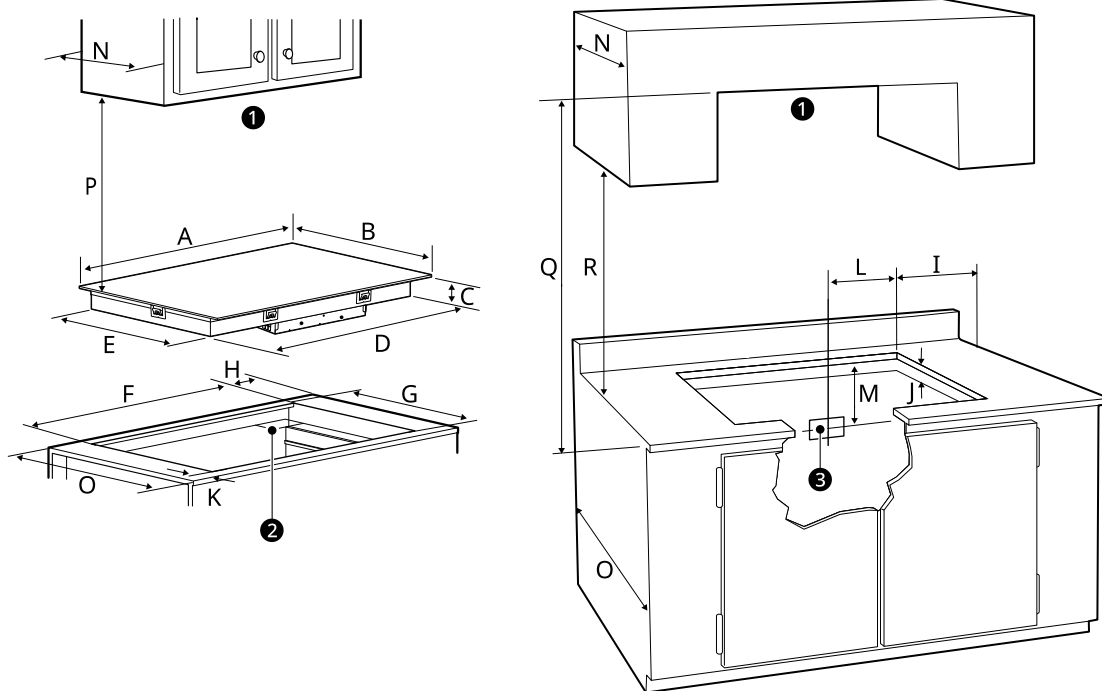
## Préparation de l'emplacement d'installation

### Informations importantes sur l'installation

- Toutes les surfaces de cuisson électriques fonctionnent sur une alimentation électrique monophasée, à trois ou quatre fils, de 240/208 volts, 60 hertz, en courant alternatif uniquement, avec mise à la terre.
- La distance minimale entre la surface de cuisson et les armoires situées au-dessus est de 30 po (762 mm).
- Assurez-vous que les armoires et les revêtements muraux situés autour de la surface de cuisson peuvent résister à la chaleur (jusqu'à 93 °C [200 °F]) générée par la surface de cuisson.

FRANÇAIS

### Dimensions et dégagements



- ❶ N'obstruez pas ces zones.
- ❷ Ouverture de 4 po X 8 po (102 mm x 203 mm) pour acheminer le câble blindé si un panneau est présent.
- ❸ Emplacement approximatif de la boîte de jonction.

-	Dimensions/dégagements	LCE3010SBE	LCE3610SBE
A	Largeur de la plaque supérieure	30 27/32 po (783 mm)	36 11/16 po (932 mm)
B	Profondeur de la plaque supérieure	21 15/32 po (545 mm)	21 15/16 po (557 mm)
C	Hauteur de la base de la surface de cuisson	3 3/4 po (95 mm)	
D	Largeur de la base de la surface de cuisson	28 13/16 po (732 mm)	33 27/32 po (860 mm)
E	Profondeur de la base de la surface de cuisson	19 5/8 po (498 mm)	19 25/32 po (502 mm)

## 14 INSTALLATION

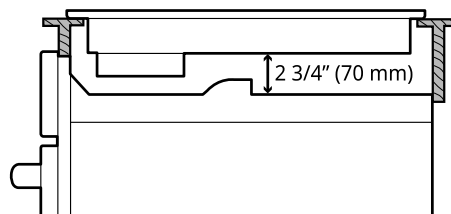
-	Dimensions/dégagements	LCE3010SBE	LCE3610SBE
F	Largeur de la découpe	29 3/8 po (746 mm)	34 9/16 po (878 mm)
G	Profondeur de la découpe	20 1/4 po (515 mm)	20 3/8 po (517 mm)
H	Dégagement entre le bord latéral de la découpe et le côté du comptoir	20 mm (13/16 po)	
I	Distance entre le bord de la surface de cuisson et le mur combustible le plus proche (de chaque côté de l'appareil)	≥ 3 3/4 po (95 mm)	
J	Hauteur sous la découpe (Un espace vide est requis sous la surface de cuisson pour l'installation)	≥ 5 23/32 po (145 mm)	
K	Distance entre l'avant du comptoir et le bord avant de la découpe	2 1/2 po (64 mm)	
L	Boîte de jonction (emplacement approximatif)	10 po (254 mm)	
M	Boîte de jonction (emplacement approximatif)	12 po (305 mm)	
N	Profondeur des armoires situées au-dessus	≤ 13 po (330 mm)	
O	Profondeur des armoires inférieures	24 po (610mm)	
P	Dégagement entre le haut de la surface de cuisson et le bas des armoires situées au-dessus	≥ 30 po (762 mm)	
Q	Distance entre le bord arrière de la découpe et la surface combustible la plus proche.	≥ 36 po (914 mm)	
R	Dégagement entre le comptoir et le bas des armoires adjacentes	≥ 18 po (457 mm)	

Toutes les dimensions sont indiquées en pouces et en millimètres (mm).

Prévoyez 2 po (50 mm) sous l'ouverture pour le câble blindé afin de dégager le câble électrique, et prévoyez un espace pour l'installation de la boîte de jonction sur le mur, à l'arrière de la surface de cuisson.

### ⚠ MISE EN GARDE

- Pour éliminer les risques de brûlure ou d'incendie lorsque vous penchez au-dessus des surfaces chaudes, évitez de placer une armoire au-dessus de la surface de cuisson. Si une armoire y est installée, réduisez les risques en installant une hotte qui dépassera horizontalement d'au moins 5 po (127mm) des panneaux de l'armoire.
- Il est très important de garder une distance de 2 3/4 po (70 mm) entre la surface de cuisson et le four situé en dessous.



## Installation de la surface de cuisson

### Branchement électrique

#### Consignes de sécurité importantes

- Assurez-vous que la surface de cuisson est installée et mise à la terre correctement par un installateur ou un technicien qualifié.
- Cette surface de cuisson doit être mise à la terre conformément aux codes locaux ou, en leur absence, à la plus récente édition du National Electrical Code ANSI/NFPA No. 70, aux États-Unis.

#### ⚠ AVERTISSEMENT

- L'alimentation électrique de la surface de cuisson doit être coupée pendant que les connexions sont effectuées. Le non-respect de cette consigne peut entraîner des blessures graves, voire mortelles.

#### Réalisation du branchement électrique

- Installez la boîte de jonction sous l'armoire et faites passer le fil de 120/240 ou 120/208 volts c.a. depuis le panneau du circuit principal.

#### REMARQUE

- NE connectez PAS dès maintenant le fil au panneau du circuit.

#### Exigences électriques

Respectez tous les codes et règlements locaux en vigueur.

- 1 Une alimentation électrique monophasée à trois ou quatre fils, de 120/240 ou 120/208 volts, 60 Hz, uniquement en courant alternatif, est requise sur un circuit séparé protégé par un fusible des deux côtés de la ligne (un fusible temporisé ou un disjoncteur est recommandé). NE mettez PAS le neutre sous fusible. La taille du fusible ne doit pas dépasser la valeur nominale du circuit de l'appareil indiquée sur la plaque signalétique.
- 2 La table de cuisson radiante de 36" peut consommer jusqu'à 9200 W à 240 VAC. Un disjoncteur de 50 ampères avec un calibre 8 AWG doit être utilisé. La table de cuisson

radiante de 30" peut consommer jusqu'à 7700 W à 240 VAC. Un disjoncteur de 40 ampères avec un calibre de 8 AWG doit être utilisé.

#### ⚠ AVERTISSEMENT

- Ne vous servez pas d'une rallonge électrique avec cet appareil. Une telle utilisation peut entraîner un incendie, une décharge électrique ou d'autres blessures.

#### REMARQUE

- La taille des fils et ainsi que les connexions doivent être conformes à la taille et au calibre du fusible de l'appareil, conformément à la plus récente édition du National Electrical Code ANSI/NFPA No. 70 et aux normes et réglementations locales.

- 3 L'appareil doit être raccordé au boîtier de sectionnement à fusible (ou disjoncteur) par un câble flexible blindé ou à gaine non métallique. Le câble flexible blindé qui part de cet appareil doit être raccordé directement à la boîte de jonction mise à la terre. La boîte de jonction doit être située comme indiqué dans la section **Dimensions et dégagements**, avec autant de jeu que possible dans le câble entre la boîte et l'appareil, afin que ce dernier puisse être déplacé pour l'entretien.

- 4 Un serre-câbles approprié doit être utilisé pour fixer le câble flexible blindé à la boîte de jonction.

#### Branchement électrique

Raccordez le câble flexible blindé qui part de l'unité de surface jusqu'à la boîte de jonction en utilisant un serre-câbles approprié à l'endroit où le câble blindé entre dans la boîte de jonction. Effectuez ensuite le branchement électrique comme suit.

La mise à la terre de cet appareil est obligatoire.

Cet appareil est doté d'un fil d'alimentation et d'un fil de mise à la terre vert ou en cuivre nu connecté au cadre.

#### REMARQUE

À L'ÉLECTRICIEN :



## 16 INSTALLATION

### REMARQUE

- Les câbles blindés fournis avec l'appareil sont homologués UL pour le raccordement à des câbles domestiques de plus gros calibre. L'isolation des fils est conçue pour résister à des températures beaucoup plus élevées que celles des câbles domestiques. La capacité de transport de courant du fil conducteur est régie par la température nominale de l'isolation autour du fil, plutôt que par le seul calibre du fil.

### ⚠ AVERTISSEMENT

- NE mettez PAS à la terre sur un tuyau d'alimentation en gaz. NE raccordez PAS l'appareil à l'alimentation électrique avant qu'il ne soit mis à la terre de façon permanente. Raccordez le fil de mise à la terre avant de mettre l'appareil sous tension.
- Cet appareil est doté d'un câble flexible avec un conducteur en cuivre. Si le raccordement est fait à un câblage domestique en aluminium, utilisez uniquement des connecteurs spéciaux approuvés pour le raccordement de fils en cuivre et en aluminium, conformément au National Electrical Code et aux normes et réglementations locales. Une connexion incorrecte du câblage domestique en aluminium aux fils de cuivre peut entraîner un court-circuit ou un incendie. Suivez scrupuleusement la procédure recommandée par le fabricant du connecteur.

### Lorsque les codes locaux autorisent le raccordement du conducteur de mise à la terre de l'appareil au fil neutre (blanc)

Respectez tous les codes et règlements locaux.

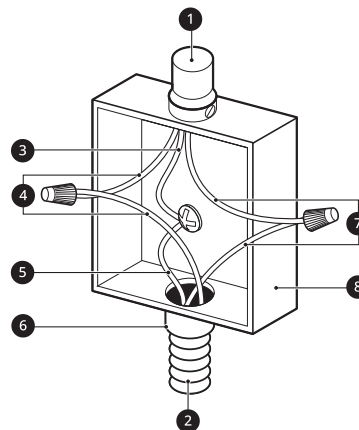
- Débranchez l'alimentation.
- Au boîtier du disjoncteur, au boîtier à fusibles ou à la boîte de jonction, connectez les fils de l'appareil et du câble d'alimentation comme indiqué.

### ⚠ AVERTISSEMENT

- Vous ne pouvez pas mettre la surface de cuisson à la terre par le fil neutre (blanc) si la surface de cuisson est utilisée dans une nouvelle installation de circuit de dérivation (NEC 1996), une maison mobile ou un véhicule récréatif, ou lorsque les codes locaux ne permettent pas la

mise à la terre par le fil neutre (blanc). Lorsque la mise à la terre du fil neutre (blanc) est interdite, vous devez utiliser un câble d'alimentation à quatre fils. Le non-respect de cet avertissement peut entraîner une électrocution ou d'autres blessures corporelles graves.

### Boîte de jonction à trois fils avec mise à la terre



- Câble de l'alimentation électrique
- Câble de la surface de cuisson
- Fil blanc (neutre)
- Fils rouges
- Fil vert (terre)
- Connecteur pour conduit homologué UL
- Fils noirs
- Boîte de jonction

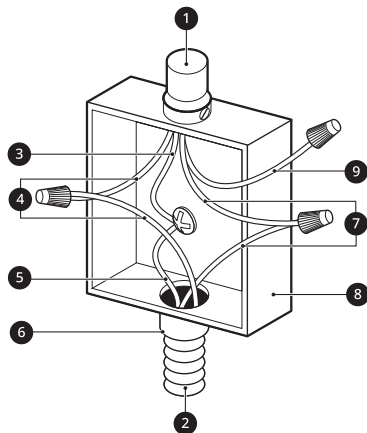
### Si la surface de cuisson est utilisée dans une nouvelle installation de circuit de dérivation (NEC 1996), une maison mobile ou un véhicule récréatif, ou lorsque les codes locaux ne permettent pas la mise à la terre par le fil neutre (blanc)

Respectez tous les codes et règlements locaux.

- Débranchez l'alimentation.
- Au boîtier du disjoncteur, au boîtier à fusibles ou à la boîte de jonction, connectez les fils de l'appareil et du câble d'alimentation comme indiqué.

**⚠ AVERTISSEMENT**

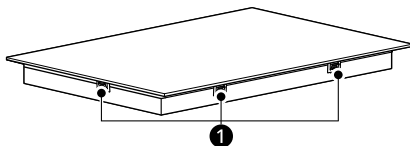
- En cas de connexion à un système électrique avec câble d'alimentation à quatre fils, le fil de mise à la terre connecté au cadre de l'appareil NE DOIT PAS être connecté au fil neutre du système électrique à quatre fils.

**Boîte de jonction à quatre fils avec mise à la terre**

- ❶ Câble de l'alimentation électrique
- ❷ Câble de la surface de cuisson
- ❸ Fil de mise à la terre
- ❹ Fils rouges
- ❺ Fil vert (terre)
- ❻ Connecteur pour conduit homologué UL
- ❼ Fils noirs
- ❽ Boîte de jonction
- ❾ Fil blanc (pas de connexion)

**Installation de la surface de cuisson**

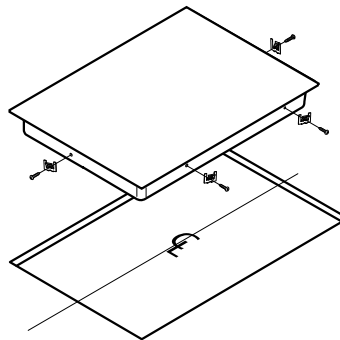
- 1 Vérifiez visuellement que la surface de cuisson n'est pas endommagée. Assurez-vous que toutes les vis ❶ de la surface de cuisson sont bien serrées (voir ci-dessous pour connaître les emplacements).



- 2 Vérifiez et préparez l'emplacement d'installation.

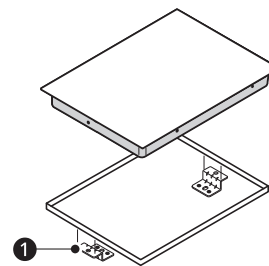
- Voir la section **Dimensions et dégagements**.

- 3 Abaissez prudemment la surface de cuisson pour la faire entrer dans la découpe du comptoir, en vous assurant de ne pas coincer de fils.

**REMARQUE**

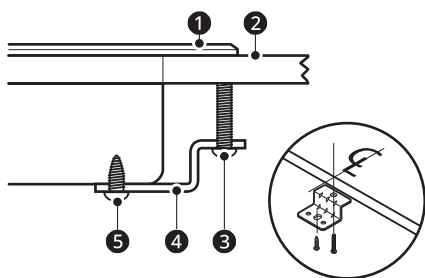
- N'utilisez pas de produit de calfeutrage. La surface de cuisson doit être amovible pour pouvoir en faire l'entretien si nécessaire.

- 4 Installez les plaques de retenue ❶ au bas de la surface de cuisson, puis serrez les boulons contre la base du comptoir, comme illustré.

**REMARQUE**

- Les plaques de retenue DOIVENT être installées conformément aux codes locaux ou, en l'absence de codes locaux, conformément à la dernière version du National Electrical Code ANSI/NFPA no 70.

## 18 INSTALLATION

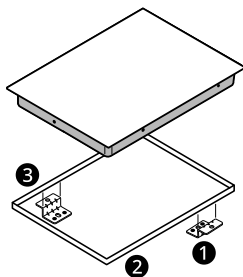


Consultez les instructions d'utilisation de ce guide pour en savoir plus.

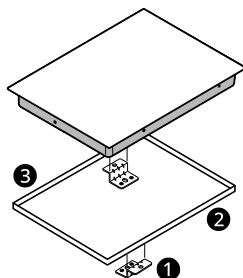
- ❶ Surface de cuisson
- ❷ Comptoir
- ❸ Boulon
- ❹ Plaques de retenue
- ❺ Vis de type A

### Installation alternative

#### LCE3010SBE



#### LCE3610SBE



- ❶ Plaques de retenue
- ❷ Avant
- ❸ Arrière

### Dernière vérification

Effectuez une vérification finale du fonctionnement de la surface de cuisson en vous assurant qu'elle s'allume correctement et que chaque zone de cuisson fonctionne bien.