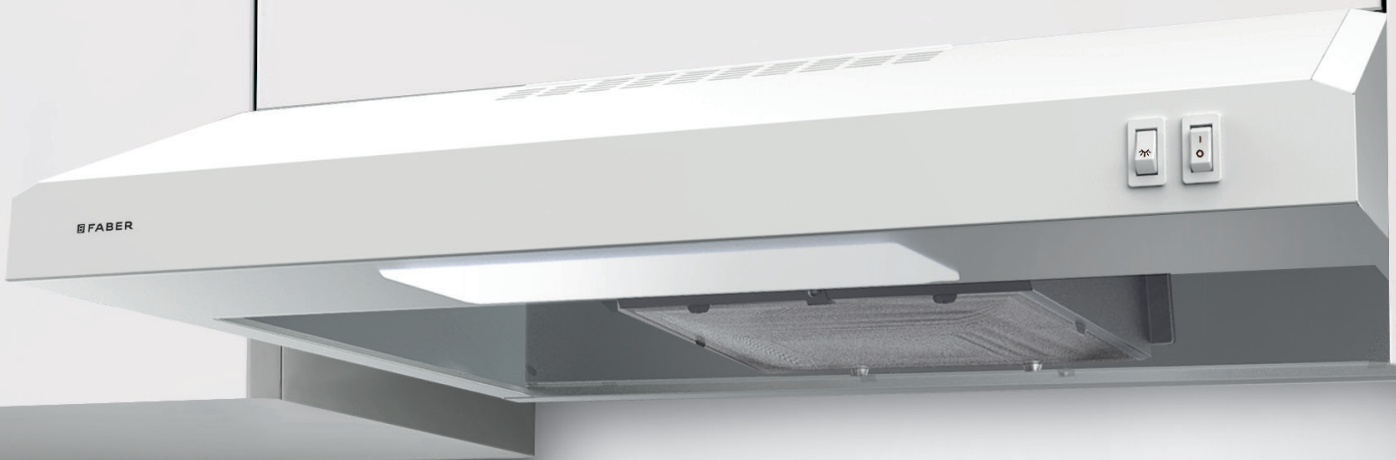


LEVANTE E

PRO & UNDER CABINET



TIMELESS, COMFORTABLE, VERSATILE

Levante range hoods are easy to clean and that satisfies all practical requirements while being remarkably effective in neutralizing fumes, vapors, and odors in the kitchen, making the environment even more comfortable.

AVAILABLE MODELS

Model #	FUN #	Size / Color	Motor Class (CFM)
LEVE24SS200	300.0669.597	24" Stainless Steel	200 CFM
LEVE24WH200	300.0669.600	24" White	200 CFM
LEVE30SS200	300.0669.599	30" Stainless Steel	200 CFM
LEVE30WH200	300.0669.598	30" White	200 CFM



FOR INCREASED INSTALLATION
OPTIONS AND BETTER **ENERGY**
EFFICIENCY, VARI-DUCT ALLOWS
AIR TO BE VENTED THROUGH
THE TOP OR BACK OF THE
RANGE HOOD



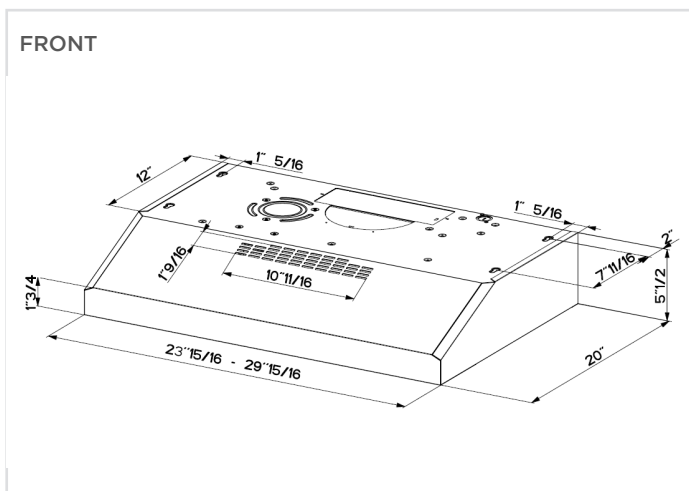
LEVANTE E



MODEL	FUN #	SIZE/MATERIAL	MOTOR CLASS
LEVE24SS200	300.0669.597	24 Stainless Steel	200 CFM
LEVE24WH200	300.0669.600	24 White	200 CFM
LEVE30SS200	300.0669.599	30 Stainless Steel	200 CFM
LEVE30WH200	300.0669.598	30 White	200 CFM

FEATURES		PERFORMANCE		ACCESSORIES
Dimensions		Motor		FILTER8
Canopy Depth-Height	21" D x 5 1/2" H	No. of Fan Speeds	2	Charcoal Filter Kit
Ducting		Motor Class	200	
Type	Ducted/Ductless	Energy-Efficient Motor	Yes	
Top Vent	Vari-Duct 7" Round, 3 1/4" x 10" Rectangle	Display		
Rear Vent	Vari-Duct 3 1/4" x 10" Rectangle	Controls	Rocker Switch	
Lighting		Other		
Type	Incandescent	ADA Compliant	Separate Wall Switch Required	
# of Bulbs	One - 40 Watt - 1 Level	Fixed Wiring Box	Yes	
Grease Filters				
Filter Type	Mesh			
Charcoal Filter	One Included			
Dishwasher Safe	Yes			

DIMENSIONAL DRAWINGS



Rev4 123