



TIMELESS, COMFORTABLE, VERSATILE

The simplicity that makes you love it and the ease of use that improves everyday life, with the certainty of constant and enduring reliability.

Levante range hoods are also easy to clean and that satisfies all practical requirements while being remarkably effective in neutralizing fumes, vapors, and odors in the kitchen, making the environment even more comfortable.

AVAILABLE MODELS

Model #	FUN #	Size / Color	Motor Class (CFM)
LEVG24SS300	300.0622.854	24" Stainless Steel	395 CFM PRO
LEVG30SS300	300.0622.855	30" Stainless Steel	395 CFM PRO



THE **ENERGY-EFFICIENT** ENERGY MOTOR ALLOWS FOR LONGER DUCT RUNS, **IMPROVING PERFORMANCE**, REDUCING NOISE AND GIVING YOU GREATER INSTALLATION OPTIONS.



LEVANTE G

PRO & UNDER CABINET



MODEL	FUN #	SIZE/MATERIAL	MOTOR CLASS
LEVG24SS300	300.0622.854	24" Stainless Steel	395 CFM PRO
LEVG30SS300	300.0622.855	30" Stainless Steel	395 CFM PRO

FEATURES		PERFORMANCE		ACCESSORIES
Dimensions		Motor		FILTERS
Canopy Depth-Height	21" D x 5 ½" H	No. of Fan Speeds	4	Charcoal Filter Kit
Ducting		Motor Class	300	
Type	Ducted/Ductless	Energy-Efficient Motor	Yes	
Top Vent	Vari-Duct 7" Round, 3 ¼" x 10" Rectangle	Display		
Rear Vent	Vari-Duct 3 ¼" x 10" Rectangle	Controls	Electronic Push Button	
Lighting		Intensive Speed	10 Minutes	
Type	Halogen	Other		
# of Bulbs	Two - 35 Watt - 1 Level	ADA Compliant	No	
Grease Filters		Fixed Wiring Box	Yes	
Filter Type	Mesh			
Dishwasher Safe	Yes			

Rev2 0824

LEVANTE G

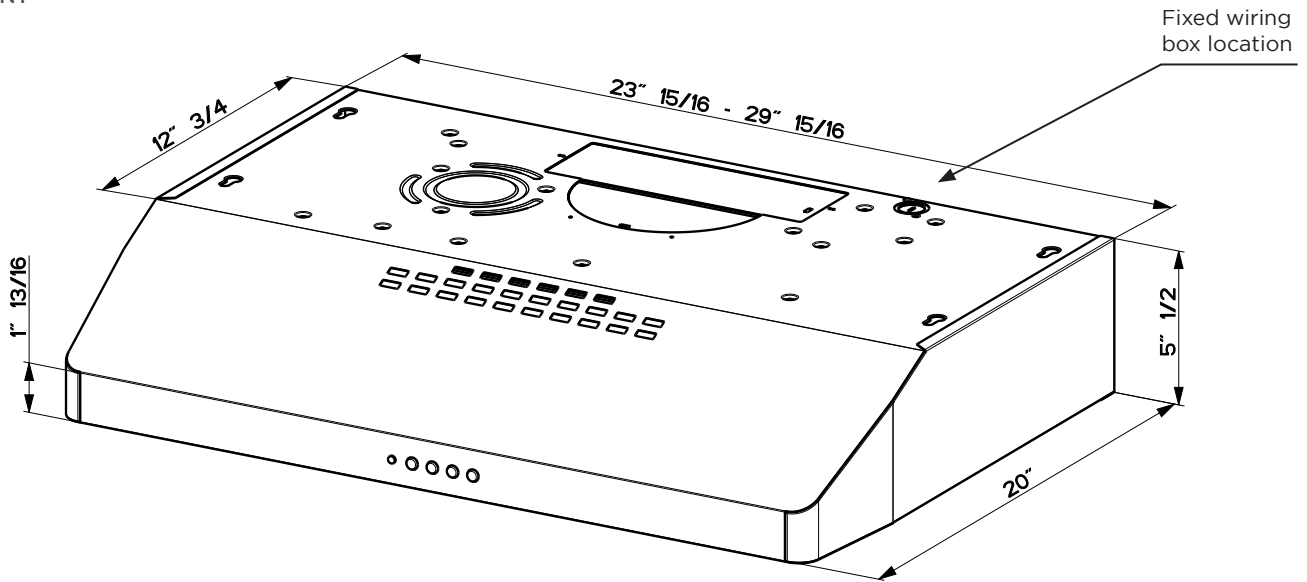
PRO & UNDER CABINET



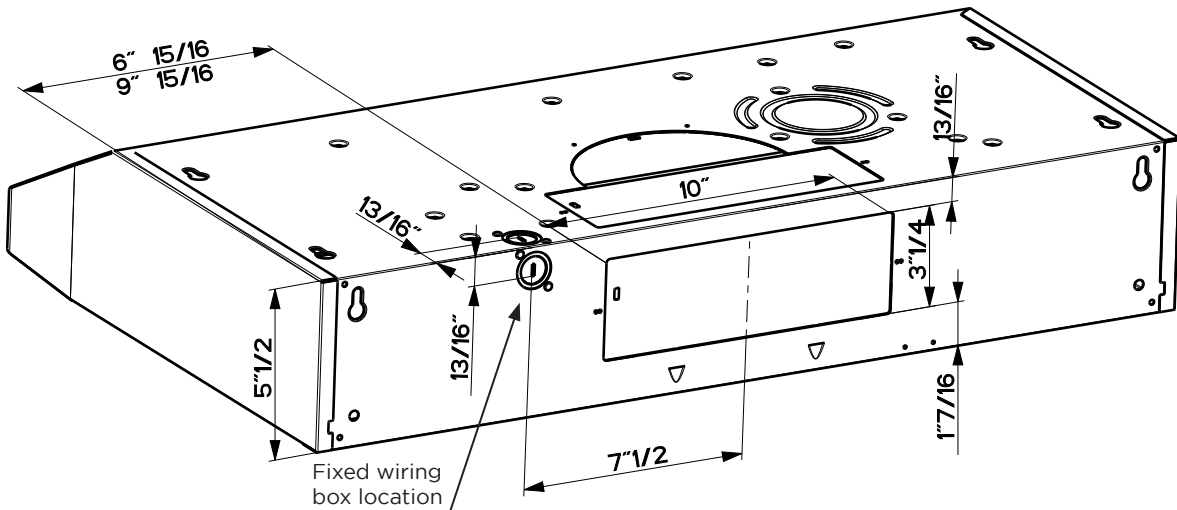
MODEL	FUN #	SIZE/MATERIAL	MOTOR CLASS
LEVG24SS300	300.0622.854	24" Stainless Steel	395 CFM PRO
LEVG30SS300	300.0622.855	30" Stainless Steel	395 CFM PRO

DIMENSIONAL DRAWINGS

FRONT



BACK



Rev2 0824