



**Product:** 24 Inch 4 Burner Gas Range in Stainless Steel  
**Model Number:** LRG2401U / LRG2401ULP

### TECHNICAL DETAILS

|                         |                              |
|-------------------------|------------------------------|
| Fuel Type               | Natural Gas / LP Convertible |
| Electrical Requirements | 120V                         |
| Circuit Breaker (A)     | 15 A                         |
| Frequency (Hz)          | 60 Hz                        |
| Controls Type           | Knob                         |

### BURNER PERFORMANCE

|                        |                             |
|------------------------|-----------------------------|
| Total Burners          | 4                           |
| [1] Front Left Burner  | NG: 12000BTU / LP: 10000BTU |
| [2] Front Right Burner | NG: 18000BTU / LP: 16000BTU |
| [3] Rear Left Burner   | NG: 9000BTU / LP: 7000BTU   |
| [4] Rear Right Burner  | NG: 3500BTU / LP: 3500BTU   |



### FEATURES & BENEFITS

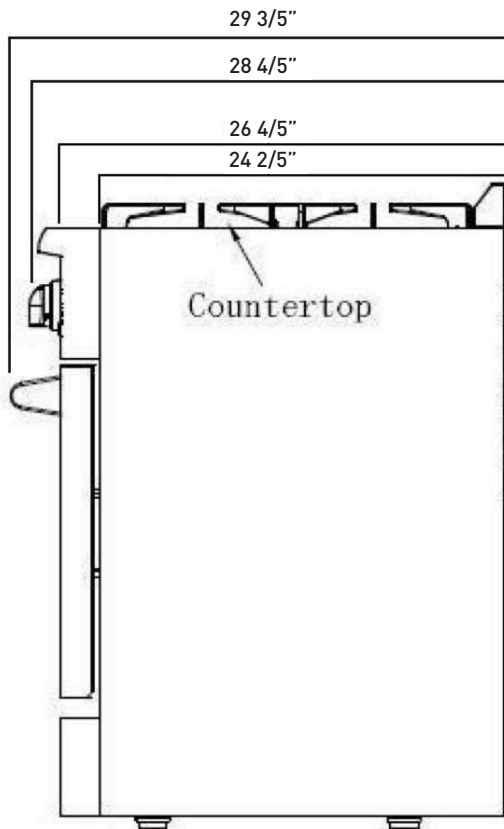
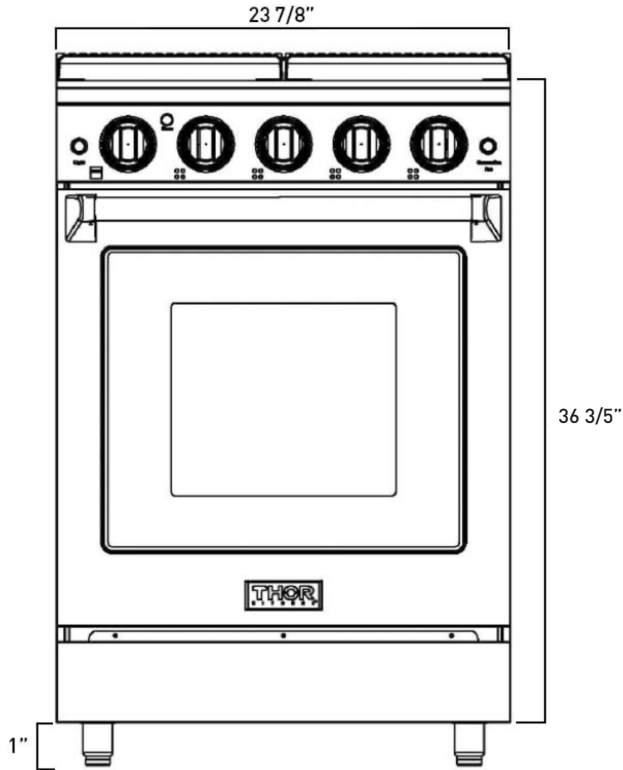
- High-Powered BTU Burners:** The high-powered 18,000 BTU burner provides fast, intense heat for creating large family meals and restaurant-quality dishes.
- Oven Capacity:** 3.73 cu. ft. oven capacity can accommodate multiple dishes for enhanced cooking.
- Continuous Cast-Iron Grates:** Heavy-duty continuous cast-iron cooking grates make it easy to transfer cookware from burner to burner without lifting.
- Even Heat Broiler:** Reflective gas tube broiler distributes heat evenly to sear your food and seal in the juices.
- Porcelain Spill Tray:** Single-piece black porcelain spill tray catches the mess and makes cleanup easy.
- Porcelain Interior:** The gray porcelain oven interior adds a stylish touch and is easy to clean.

### OVEN PERFORMANCE

|                    |                                 |
|--------------------|---------------------------------|
| Oven Capacity      | 3.7 cu. ft.                     |
| Oven Functions     | Bake, Broil                     |
| Oven Color Grey    | Grey                            |
| Broil Burner       | 10,000 BTU                      |
| Bake Burner        | 12,000 BTU                      |
| Convection         | No                              |
| Oven Light         | 1, Rear                         |
| Oven Racks         | 2                               |
| Oven Rack Material | Chrome Plated                   |
| Rack Positions     | 5                               |
| Baking Sheet       | Fits Half Sheet Pan (18" x 13") |

### ACCESSORIES (NOT INCLUDED)

|                               |             |
|-------------------------------|-------------|
| Wok Ring                      | WK01        |
| Liquid Propane Conversion Kit | LPKLRG2401U |
| Attachable Griddle            | RG1022      |



### PRODUCT DIMENSIONS

|                                  |         |
|----------------------------------|---------|
| Product Width                    | 23 7/8" |
| Product Depth (including door)   | 26 4/5" |
| Product Depth (no door)          | 24 2/5" |
| Product Height (bullnose)        | 36 3/5" |
| Product Depth (including handle) | 29 3/5" |
| Product Depth (from knobs)       | 28 4/5" |
| Adjustable Legs                  | 1" Max  |

### REQUIRED CUTOUT SIZE

|               |     |
|---------------|-----|
| Cutout Width  | 24" |
| Cutout Depth  | 24" |
| Cutout Height | 36" |

