

MACR214

14" CRESCENT ICE MAKER

MARVEL LOW PROFILE COLLECTION



MAIN FEATURES

- Produces up to 23 lbs of ice per day
- Stores up to 12 lbs of ice
- Removable ice bin
- No pump or drain required
- Crescent ice dimensions: 1/2 W x 3/4 H x 2-1/4 L
- On / Off switch at the front of the unit
- Arctic white interior
- Reversible door allows for right or left swing
- Low profile, ADA-compliant height allows for universal installation applications

WARRANTY

- 1-year parts and labor warranty and 5-year sealed system parts warranty (see complete warranty for details)

FINISH OPTIONS

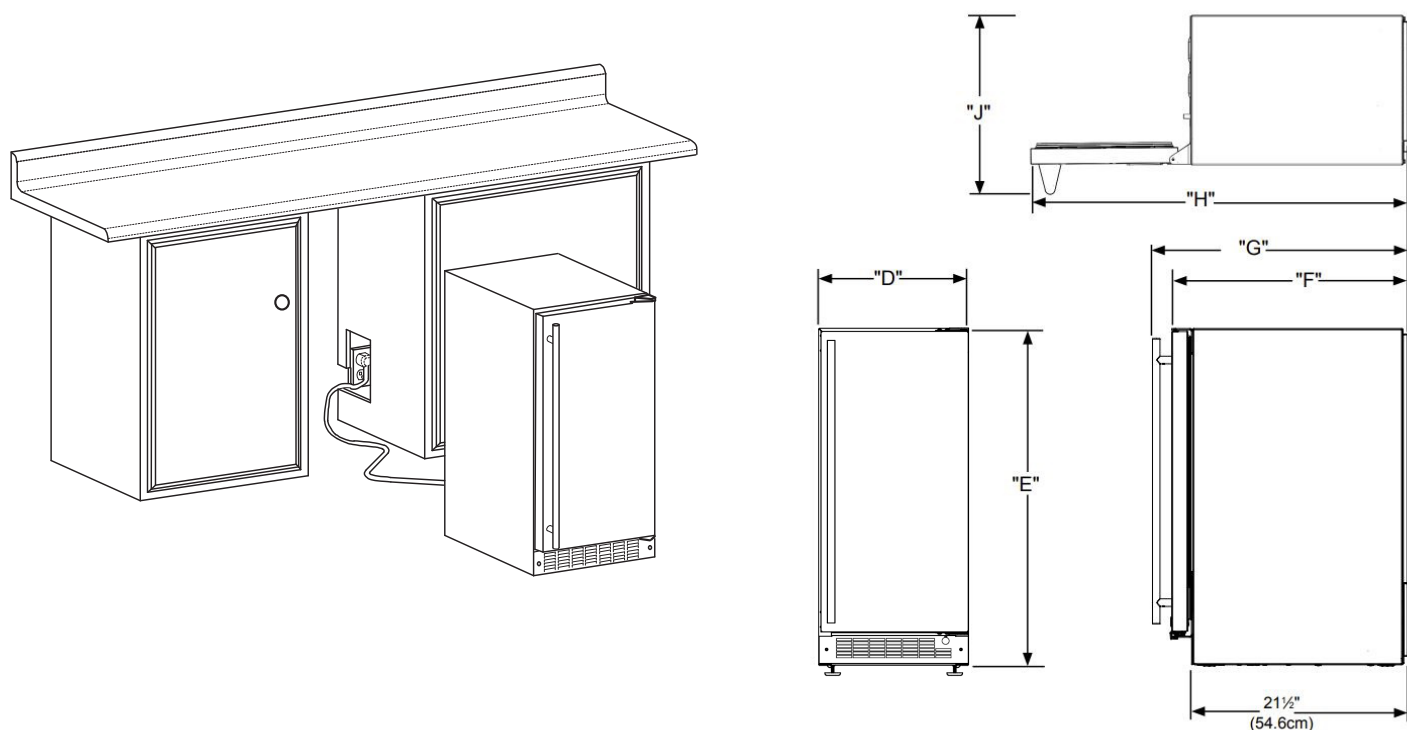


DOOR STYLE	MODEL NUMBER
Solid Stainless Steel	MACR214-SS01B
Solid Black	MACR214-BS01B





DIMENSIONAL DRAWINGS



ROUGH IN DIMENSIONS*

"A"	"B"	"C"
14"	24-7/8"	21-1/2"
(35.6 cm)	(63.2 cm)	(54.6 cm)

CABINET DIMENSIONS*

"D"	"E"	"F"	"G"	"H"	"J"
13-7/8"	24-3/4"	16-5/8"	18-13/16"	30"	15-7/16"
(35.2 cm)	(62.9 cm)	(43 cm)	(47.8 cm)	(76.3 cm)	(39.2 cm)

PRODUCT SPECIFICATIONS

Capacity	12 lbs
Cord Length	6 ft.
Electrical Requirements	115V / 60 Hz / 15A
ENERGY STAR	No
Refrigerant Type	R600a
Sabbath Mode	No
Shipping Dimensions	18" W x 25" D x 30" H
Shipping Weight	61 lbs

For comprehensive installation instructions, please visit marvelrefrigeration.com to access the owner's guide. All specifications are subject to change without notice.

