

# MACR215

## 15" CRESCENT ICE MAKER

### MARVEL LOW PROFILE COLLECTION



### MAIN FEATURES

- Produces and stores up to 25 lbs of crescent ice per day
- Removable ice bin
- No pump or drain required
- Crescent ice dimensions: 1/2 W x 3/4 H x 2-1/4 L
- On / Off switch at the front of the unit
- Arctic white interior
- Reversible door allows for right or left swing
- Low profile, ADA-compliant height allows for universal installation applications

### WARRANTY

- 1-year parts and labor warranty and 5-year sealed system parts warranty (see complete warranty for details)

### FINISH OPTIONS

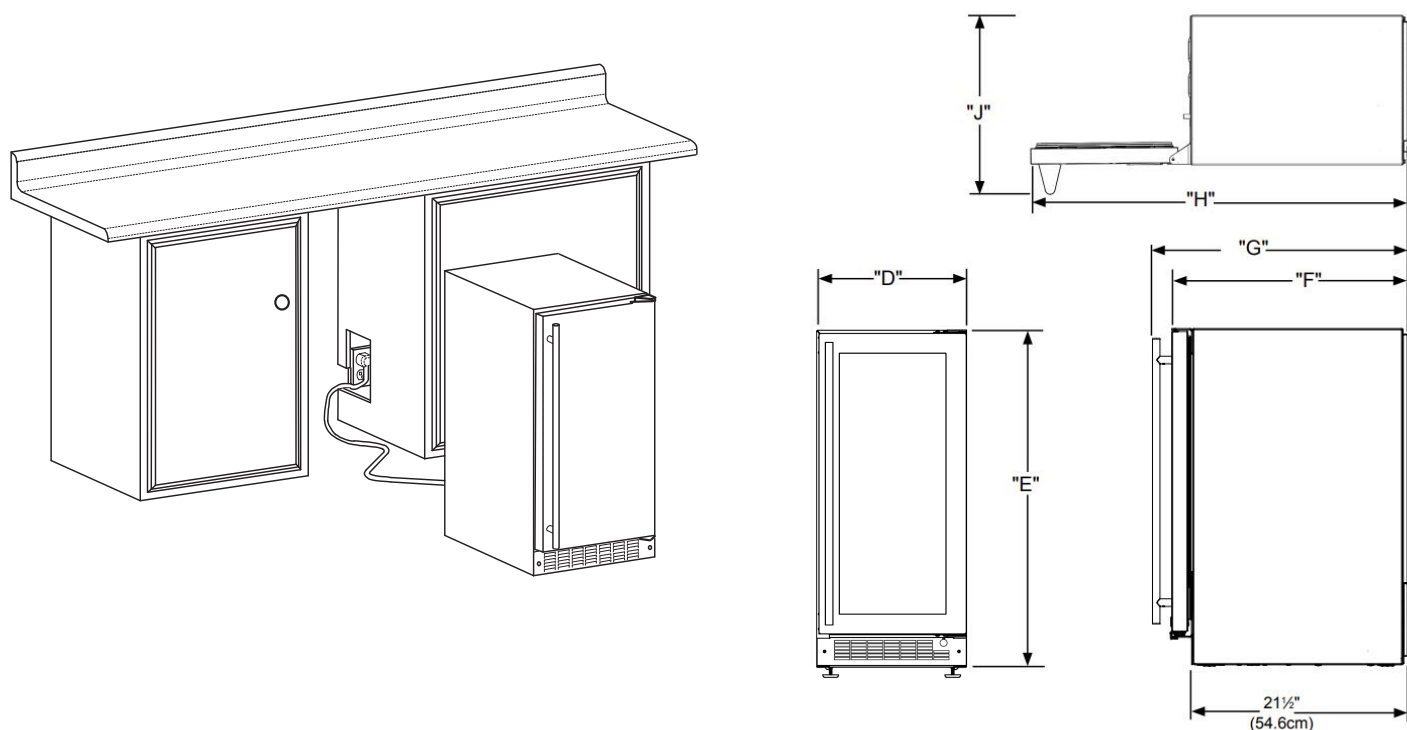


DOOR STYLE	MODEL NUMBER
Solid Stainless Steel	MACR215-SS01B





## DIMENSIONAL DRAWINGS



### ROUGH IN DIMENSIONS\*

"A"	"B"	"C"
15-3/16"	32" to 33"	24"
(38.6 cm)	(81.3 cm to 83.8 cm)	(61 cm)

### CABINET DIMENSIONS\*

"D"	"E"	"F"	"G"	"H"	"J"
14-13/16"	32" to 33"	22-1/4"	24-1/8"	36-1/4"	15-1/2"
(37.6 cm)	(81.3 cm to 83.8 cm)	(56.5 cm)	(61.3 cm)	(91.9 cm)	(39.4 cm)

## PRODUCT SPECIFICATIONS

<b>Capacity</b>	25 lbs
<b>Cord Length</b>	6 ft.
<b>Electrical Requirements</b>	115V / 60 Hz / 15A
<b>ENERGY STAR</b>	No
<b>Refrigerant Type</b>	R600a
<b>Sabbath Mode</b>	No
<b>Shipping Dimensions</b>	18" W x 29" D x 36" H
<b>Shipping Weight</b>	125 lbs

For comprehensive installation instructions, please visit [marvelrefrigeration.com](http://marvelrefrigeration.com) to access the owner's guide. All specifications are subject to change without notice.

