

# MARE224

## 24" REFRIGERATOR

### MARVEL LOW PROFILE COLLECTION



#### MAIN FEATURES

- 4.6 cu ft. capacity stores up to 95 cans (12-oz)
- Includes 2 cantilevered white steel-framed glass shelves, one half-width and one full-width, and 1 fixed position white steel-framed glass shelf
- Half-width shelf allows for tall item storage
- MaxStore bin organizes loose items
- Dynamic cooling technology delivers rapid cool down and temperature stability
- Digital controls allow you to select a temperature from 34°F to 60°F
- Door ajar and high/low temperature alerts
- Arctic white LED theater-style lighting
- Arctic white interior
- Door lock provides added security
- Low profile, ADA-compliant height allows for universal installation applications
- Panel ready model requires 3/4" or 5/8" custom panel and handle (not supplied by Marvel)

#### WARRANTY

- 1-year parts and labor warranty and 5-year sealed system parts warranty (see complete warranty for details)

#### FINISH OPTIONS

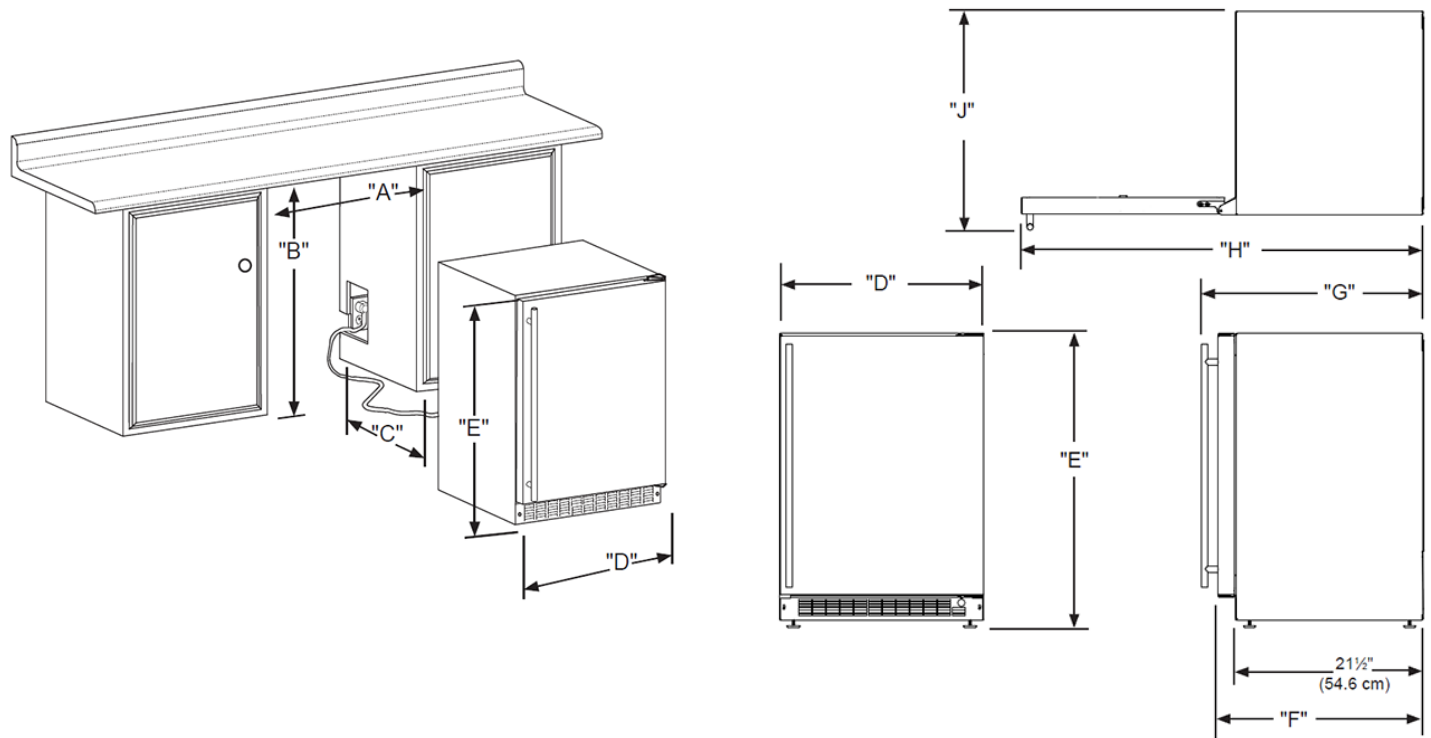


DOOR STYLE	DOOR SWING	MODEL NUMBER
Solid Stainless Steel	Right	MARE224-SS41A
Solid Stainless Steel	Left	MARE224-SS51A
Solid Panel Ready	Right	MARE224-IS41A
Solid Panel Ready	Left	MARE224-IS51A





## DIMENSIONAL DRAWINGS



### ROUGH IN DIMENSIONS\*

"A"	"B"	"C"
24"	31-1/4 to 32-1/4"	24"
(61 cm)	(79.4 cm to 81.9 cm)	(61 cm)

### CABINET DIMENSIONS\*

"D"	"E"	"F"	"G"	"H"	"J"
23-7/8"	31" to 32"	23-5/8"	25-1/2"	47-3/4"	25-3/4"*
(60.7 cm)	(78.7 to 81.3 cm)	(60 cm)	(64.8 cm)	(121.3 cm)	(65.4 cm)

\*Stainless steel model dimensions only. For panel-ready models, see the owner's guide online at [marvelrefrigeration.com](http://marvelrefrigeration.com).

## PRODUCT SPECIFICATIONS

<b>Capacity</b>	4.6 cu. ft.
<b>Cord Length</b>	6 ft.
<b>Electrical Requirements</b>	115V / 60 Hz / 15A
<b>ENERGY STAR</b>	No
<b>Panel Height</b>	27-1/32" (68.7 cm)
<b>Panel Thickness</b>	5/8" (1.6 cm) or 3/4" (1.9 cm)
<b>Panel Type</b>	2-3/4" (7 cm) Solid Panel
<b>Panel Width</b>	23-5/8" (60 cm)
<b>Refrigerant Type</b>	R600a

<b>Sabbath Mode</b>	Yes
<b>Shipping Dimensions</b>	28" W x 31" D x 37" H
<b>Shipping Weight</b>	160 lbs
<b>Temperature Range</b>	34°F to 60°F

For comprehensive installation instructions, including panel overlay details, please visit [marvelrefrigeration.com](http://marvelrefrigeration.com) to access the owner's guide. All specifications are subject to change without notice.

