

MAS304CEMXV

MASTER SERIES ELECTRIC RANGE 30" - 4 HEATING ZONES - ELECTRIC OVEN
- STAINLESS STEEL FINISH



Exclusive Finish and Materials

Metal knobs and handles make the range a standout in every kitchen. Stainless Toekick available as accessory.

Extra large oven with dual convection

The 4.7 cu.ft electric main oven with dual horizontal convection allows even baking and roasting on 7 shelf levels. Bertazzoni ovens are equipped with an extra-large high-power broiler for broiling and grilling.

Advanced programming and controls for the oven

The elegant temperature gauge for control of oven temperature during pre-heating and baking is a signature of every Bertazzoni range.

Best-in-class features and design

The soft-motion oven door with edge-to-edge tempered glass is a masterpiece of European engineering and makes the oven door very easy to wipe clean. The stainless steel racks included with the range can be equipped with optional telescopic glides.

GENERAL CHARACTERISTICS

Worktop	4 ceran zones
Knobs	Metal
Cooking modes	9
Tray	1 baking tray with grill trivet
Shelves	2 standard with handle
Levels	Laterals grids
Inner door	Squared 3 glasses
Door hinges	Soft motion
Legs	ø 2 3/8 inches stainless steel

TECHNICAL SPECIFICATIONS

Electrical requirements	120/208 V 60HZ - 8300W 120/240 V 60HZ - 10000W 40A with dedicated circuit
Warranty	2 years parts & labor
Packaging dimensions	H:42 1/8 W:33 7/8 D:29 15/16

MAS304CEMXV

MASTER SERIES ELECTRIC RANGE 30" - 4 HEATING ZONES - ELECTRIC OVEN -
STAINLESS STEEL FINISH

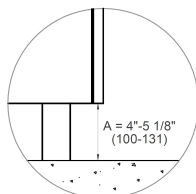


DIMENSIONS

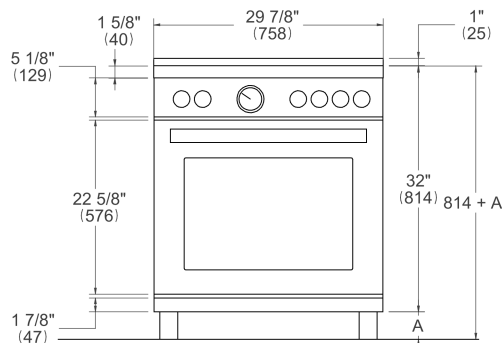
SIDE VIEW



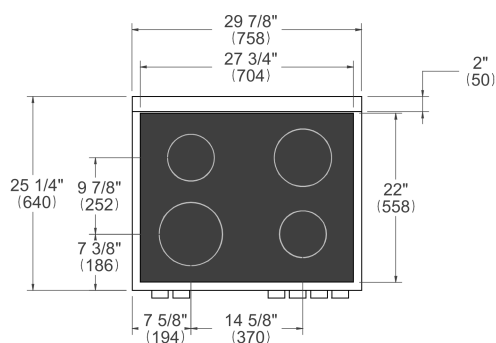
LEG DETAILS



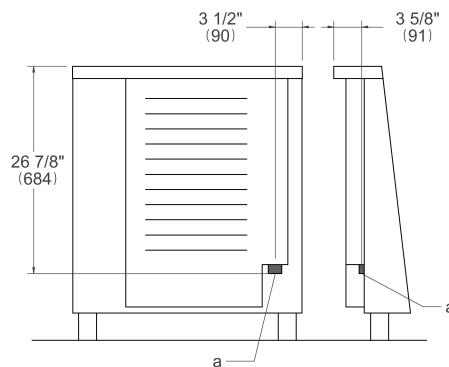
FRONT VIEW



WORKTOP DETAILS

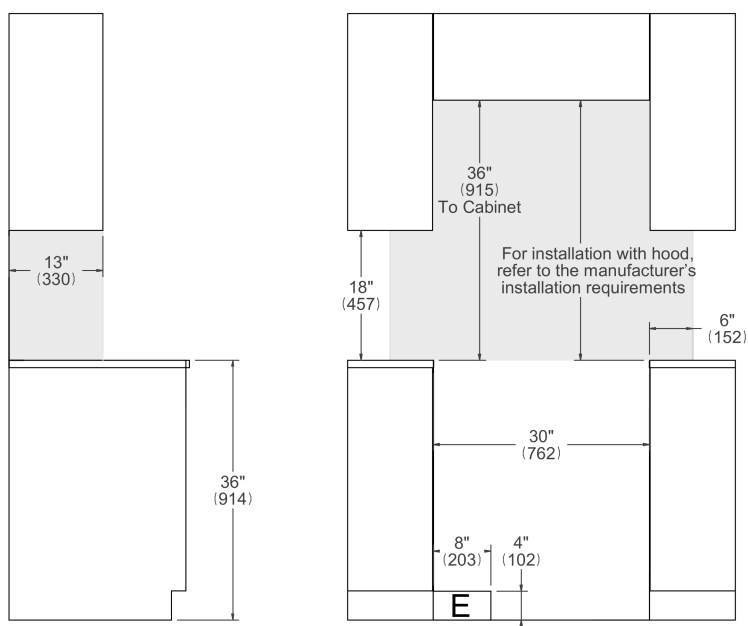


REAR VIEW



INSTALLATION

E A properly-grounded horizontally mounted electrical receptacle should be installed no higher than 3" (7.6 cm) above the floor, no less than 2" (5 cm) and no more than 8" (20,3 cm) from the left side (facing product). Check all local code requirements.



NOTE

a. Electrical Connection
b. Gas Connection

Disclaimer: while every effort has been made to insure the accuracy of the information contained in this document, Fratelli Bertazzoni reserves the right to change any part of the information at any time without notice. For detailed installation specifications consult the installation manual. Fratelli Bertazzoni, Bertazzoni and the winged wheel brand icon are registered trademarks of Bertazzoni Spa.