

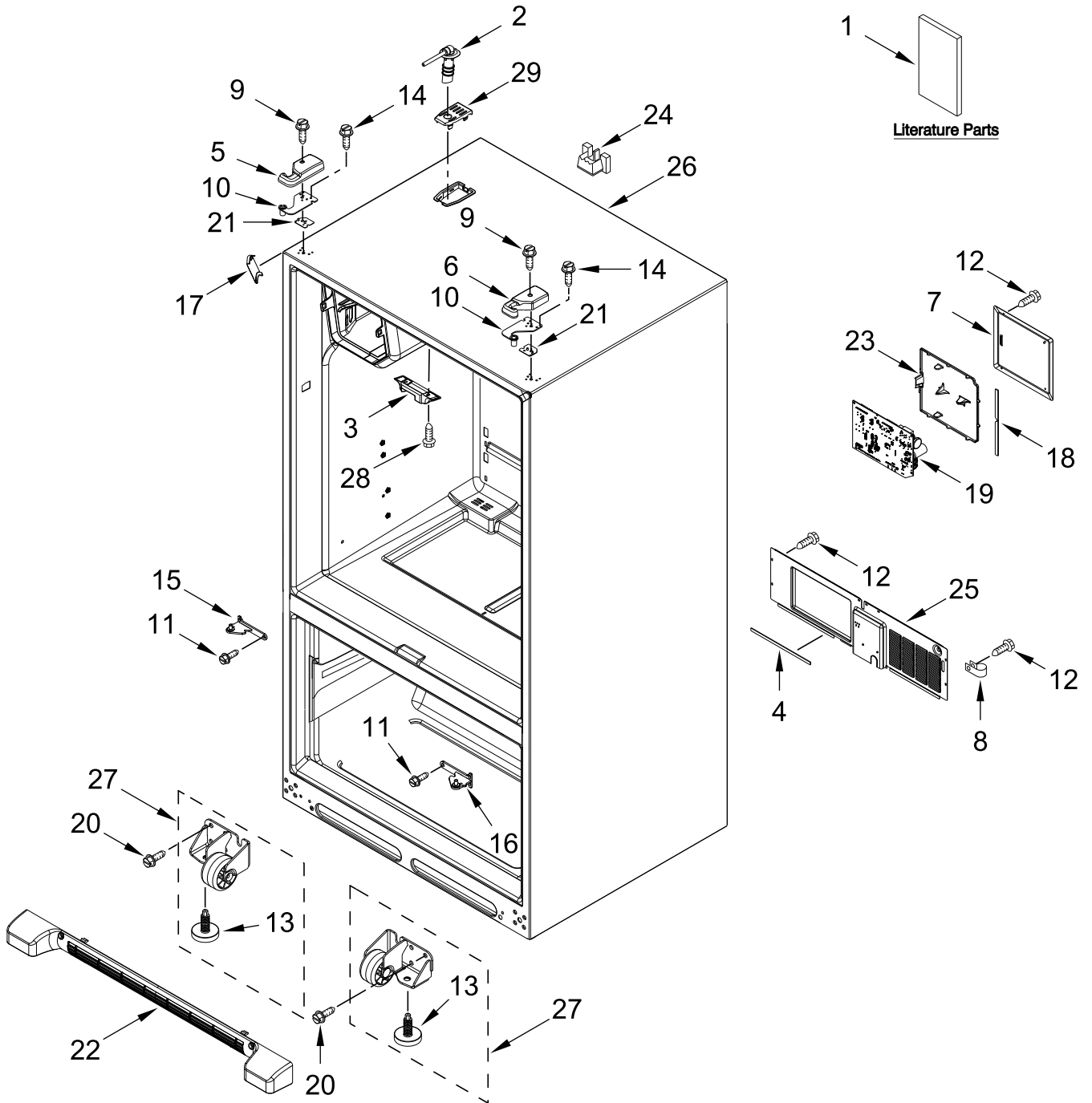


REFRIGERATOR

MODELS:

MFI2570FEZ16 (Stainless Steel)

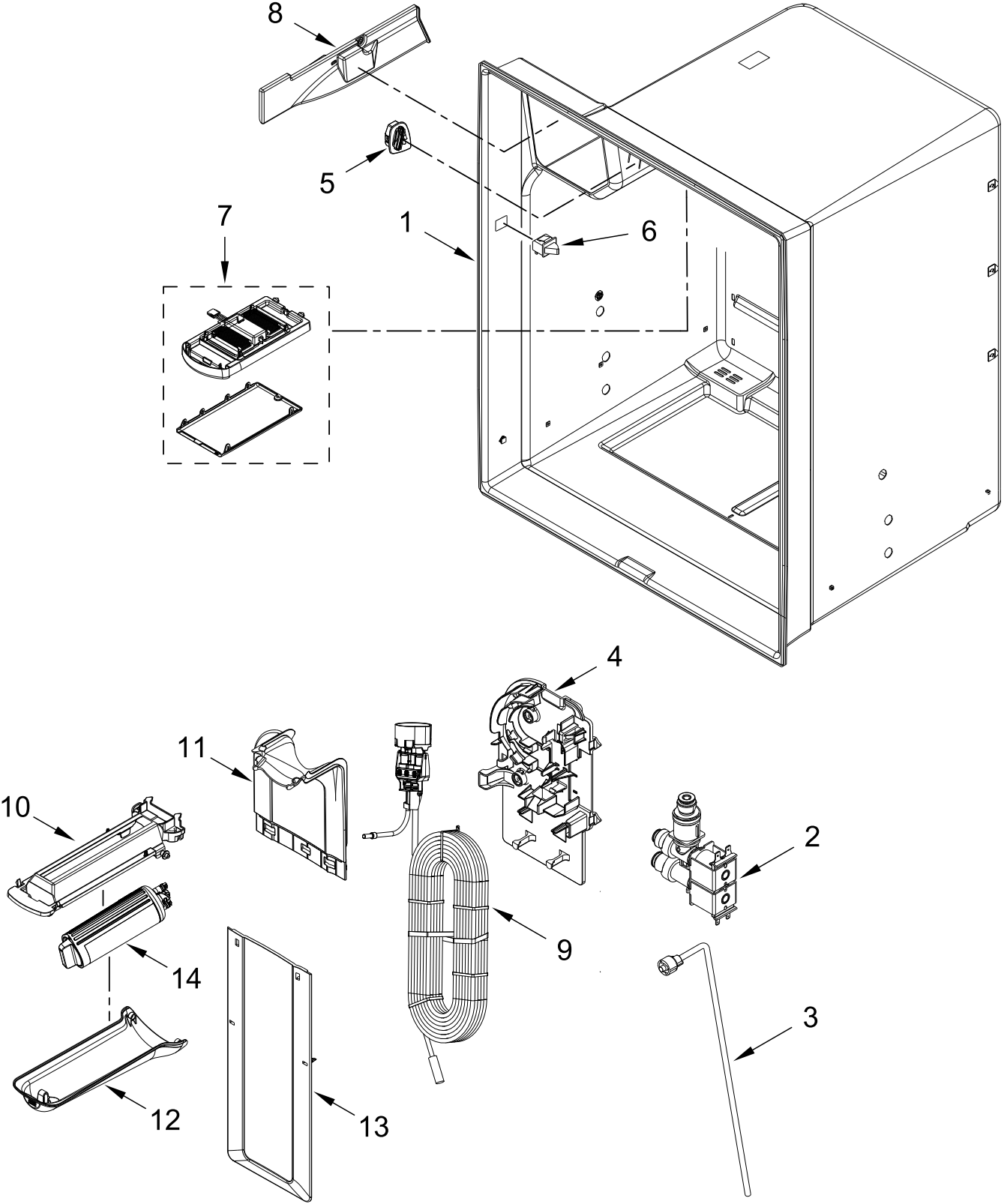
CABINET PARTS



CABINET PARTS

<u>Illus.</u> <u>No.</u>	<u>Part No.</u>	<u>Description</u>	<u>Illus.</u> <u>No.</u>	<u>Part No.</u>	<u>Description</u>	<u>Illus.</u> <u>No.</u>	<u>Part No.</u>	<u>Description</u>
1		Literature Parts	10		Hinge, Top	21		Shim, Top Hinge
	W11665550	Tech Sheet		W11456626	Left Hand		12999501	Left Hand
	W11580822	Owners Manual		W11456625	Right Hand		12999502	Right Hand
	W11647522	Energy Guide	11	W10673840	Screw (Stainless)	22		Grille, Toe
2	W11232485	Tube, Water	12	12990702	Screw		W10534155	Grey
3	12698403	Plate, Pivot	13	W10141622	Brake, Roller	23	W10296541	Lid, HV Control Box
4	W11534848	Gasket	14	12992403	Screw	24	W11651067	Block, Fill Tube
5		Cover, Top Hinge (Includes Foil) Left Hand	15		Hinge, Center	25	W10270394	Cover, Unit
	W10337648	Grey		W11610757	Left Hand	26		Cabinet (Not A Servicable Part)
6		Cover, Top Hinge Right Hand	16		Hinge, Center	27		Assembly, Roller
	12962302AP	Grey		W11610758	Right Hand		W10515763	Left Hand
				12587703AP	Grey		W10515762	Right Hand
7	12961602	Cover, Control Box	18	W10914798	Gasket, Control Box	28	688983	Screw
8	M0108107	Clamp, Tube	19	W11454964	Control, Electronic	29		Cover, Fill Tube
9	12992602	Screw	20	W10709365	Screw		12981401AP	Grey

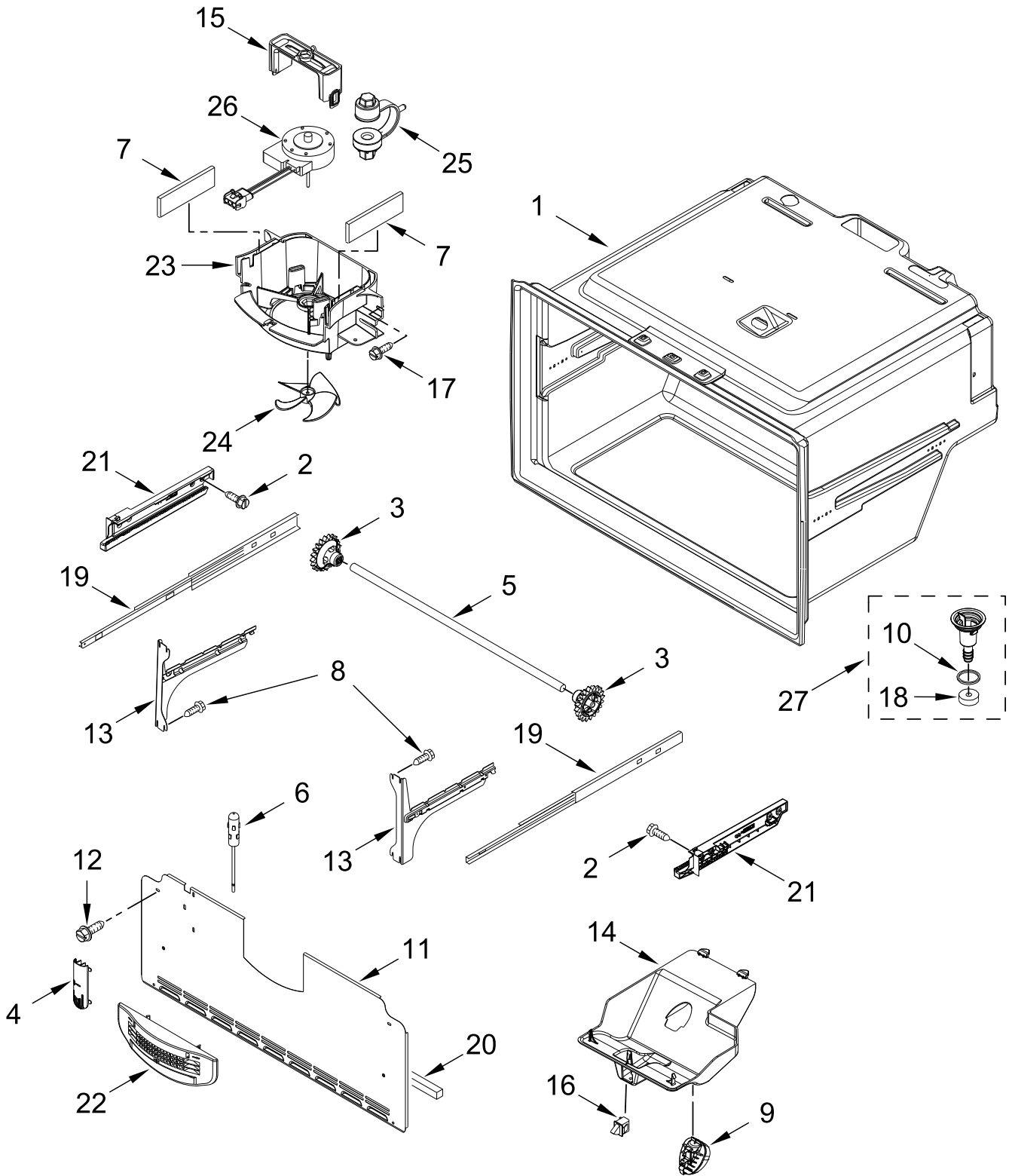
REFRIGERATOR LINER PARTS



REFRIGERATOR LINER PARTS

<u>Illus. No.</u>	<u>Part No.</u>	<u>Description</u>	<u>Illus. No.</u>	<u>Part No.</u>	<u>Description</u>	<u>Illus. No.</u>	<u>Part No.</u>	<u>Description</u>
1		Liner (Not A Serviceable Part)	6	W10847849	Switch, Light	11	W11513126	Cover, Upper Water Tank
2	W11446814	Valve, Water Inlet	7	W11387579	Assembly, Upper Light (Includes LED Module and Lens)	12	W11510661	Cover, Filter
3	W11518277	Tube, Water	8	W10309869	Cover, Wiring	13	W11565236	Cover, Lower Water Tank
4	W10334463	Bracket, Water Tank and Valve	9	W11519216	Assembly, Water Tank and Manifold	14	W11536439	Filter, Water
5	W10555984	Assembly, Air Grille (Includes Damper Seal)	10	W11510659	Bracket, Filter Base			

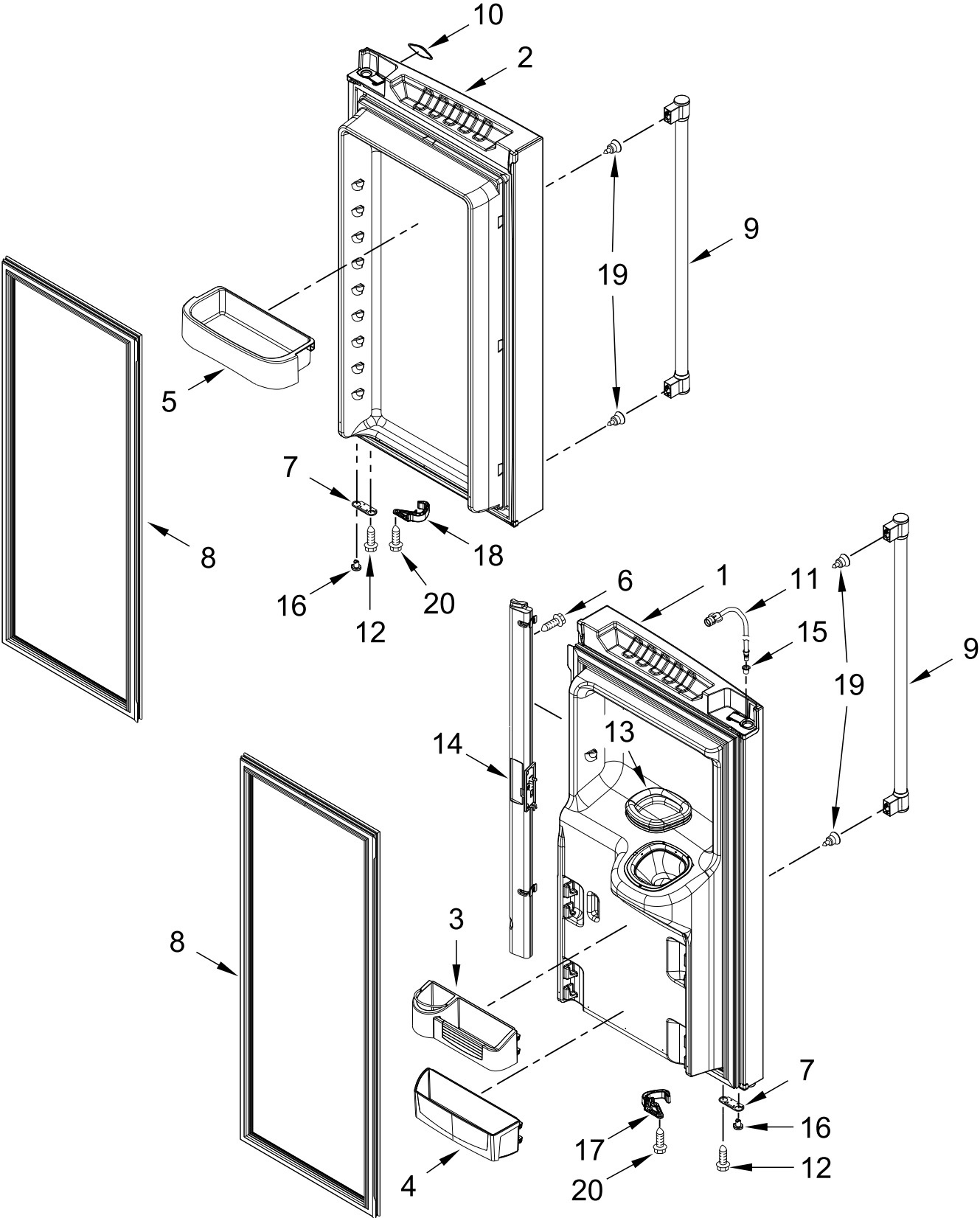
FREEZER LINER PARTS



FREEZER LINER PARTS

<u>Illus.</u> <u>No.</u>	<u>Part No.</u>	<u>Description</u>	<u>Illus.</u> <u>No.</u>	<u>Part No.</u>	<u>Description</u>	<u>Illus.</u> <u>No.</u>	<u>Part No.</u>	<u>Description</u>
1		Liner (Not A Serviceable Part)	13		Bracket, Door Slide	23	12951401	Shroud, Evaporator
2	12990501	Screw		W10330991	Left Hand	24	12986101	Blade, Fan
3	12002497	Gear		W10330993	Right Hand	25	W10905511	Grommet, Fan Motor
4	12815301	Cover, Thermistor	14	W11328652	Module, Light	26	W11314192	Motor, Evaporator (Includes Heater Harness and Defrost Thermostat)
5	W10802332	Shaft, Rack	15	12956601	Clip, Fan Motor			
6	12791417SP	Thermistor	16	W11385734	Switch, Light			
7	A3189392	Gasket, Foam	17	12990504	Screw	27	W10662407	Assembly, Drain Funnel
8	12990521	Screw	18	B8381501	Gasket, Drain			
9	W11468934	Light Module, LED	19	W11644400	Slide, Door			
10	M0500703	Seal	20	A3189396	Gasket			
11	W10308421	Cover, Evaporator	21		Adapter, Side			
12	12990511	Screw		W10284682	Left Hand			
				W10284683	Right Hand			
			22	12959901	Grille, Air			

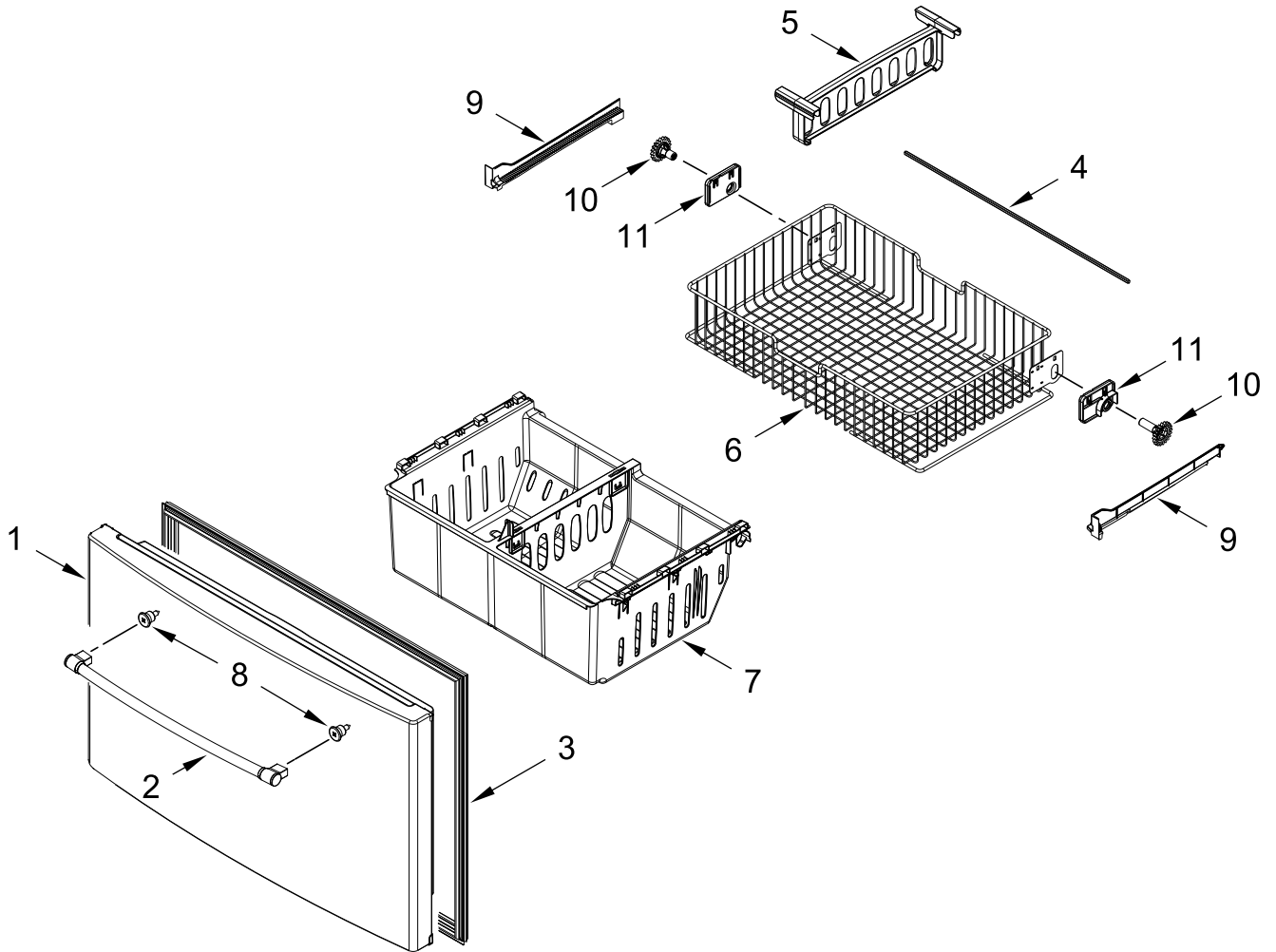
REFRIGERATOR DOOR PARTS



REFRIGERATOR DOOR PARTS

<u>Illus.</u> <u>No.</u>	<u>Part No.</u>	<u>Description</u>	<u>Illus.</u> <u>No.</u>	<u>Part No.</u>	<u>Description</u>	<u>Illus.</u> <u>No.</u>	<u>Part No.</u>	<u>Description</u>
1		Door, Refrigerator	8		Gasket, Door	17		Latch, Door Closer
		Left Hand		W10830055	Grey			Left Hand
	W11377225	Stainless	9		Handle, Door		W10833741	Grey
2		Door, Refrigerator		W10838130	Stainless	18		Latch, Door Closer
		Right Hand	10	W10612926	Badge			Right Hand
	W11377230	Stainless	11	W11431179	Waterline, Door		W10833739	Grey
3	W10323808	Bucket, Upper	12	12990521	Screw	19	W11328753	Screw
4	W10212139	Bucket, Small	13	W10287601	Seal, Ice Chute	20	12990518	Screw
5	W10224961	Bucket, Gallon	14		Mullion, Door			
6	12990204	Screw		12722815AP	Grey			
7		Stop, Door	15	12996601	Clip, Bushing			
	12968202AP	Grey	16		Closure, Door			
				12028505AP	Grey			

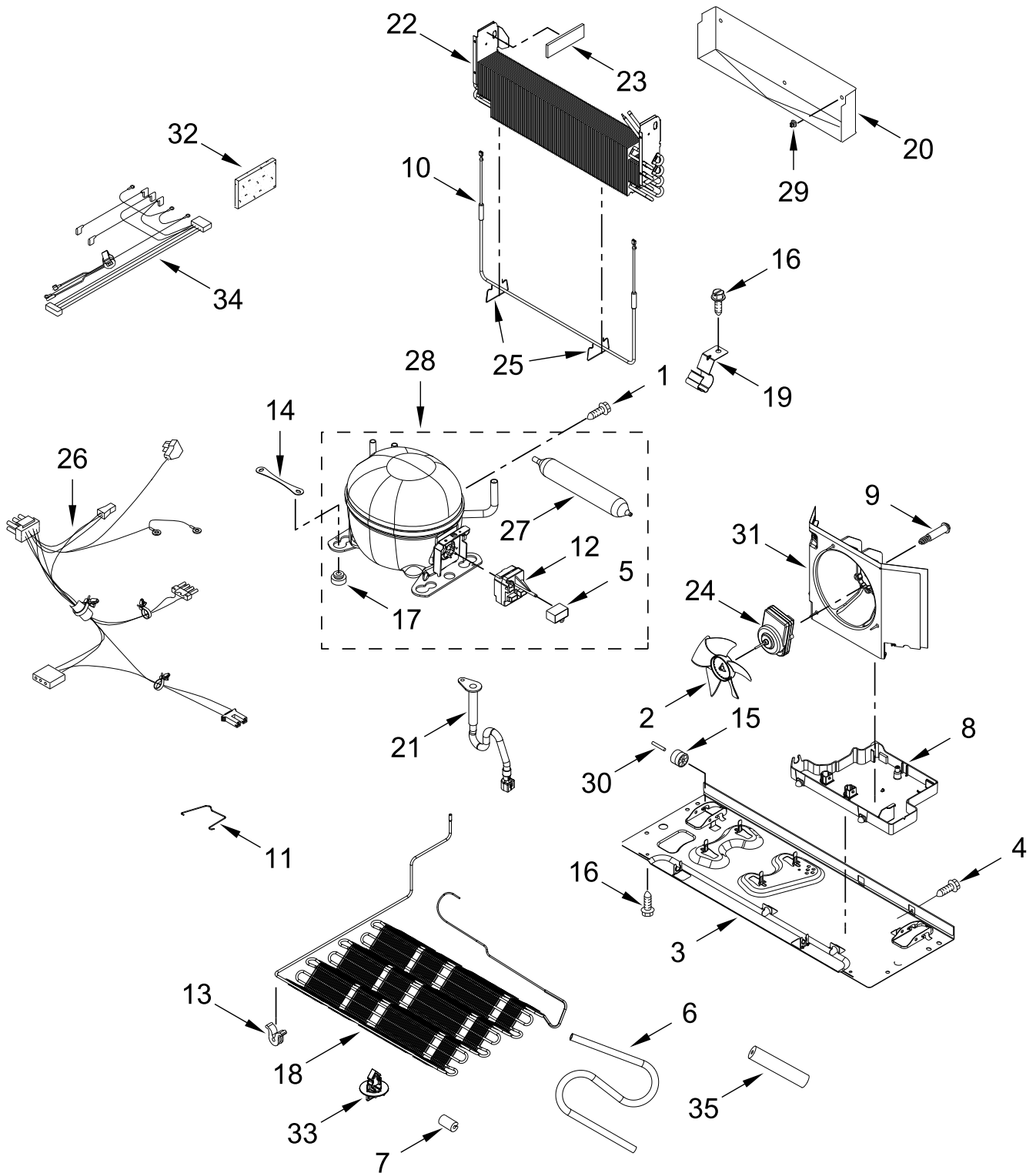
FREEZER DOOR PARTS



FREEZER DOOR PARTS

<u>Illus.</u> <u>No.</u>	<u>Part No.</u>	<u>Description</u>	<u>Illus.</u> <u>No.</u>	<u>Part No.</u>	<u>Description</u>	<u>Illus.</u> <u>No.</u>	<u>Part No.</u>	<u>Description</u>
1		Door, Freezer	5	W10146439	Divider, Upper Basket	10		Spur, Gear
	W11377220	Stainless	6	W11115237	Basket, Upper		W10474716	Left Hand
2		Handle, Door	7	W10293682	Bin, Lower		W10474715	Right Hand
	W10838132	Stainless	8	W11328753	Screw	11		Mount, Gear
3		Gasket, Door	9		Rack, Side		W10348259	Left Hand
	W10714545	Grey		W11309374	Left Hand		W10348260	Right Hand
4	W10802333	Shaft, Rack		W11309377	Right Hand			

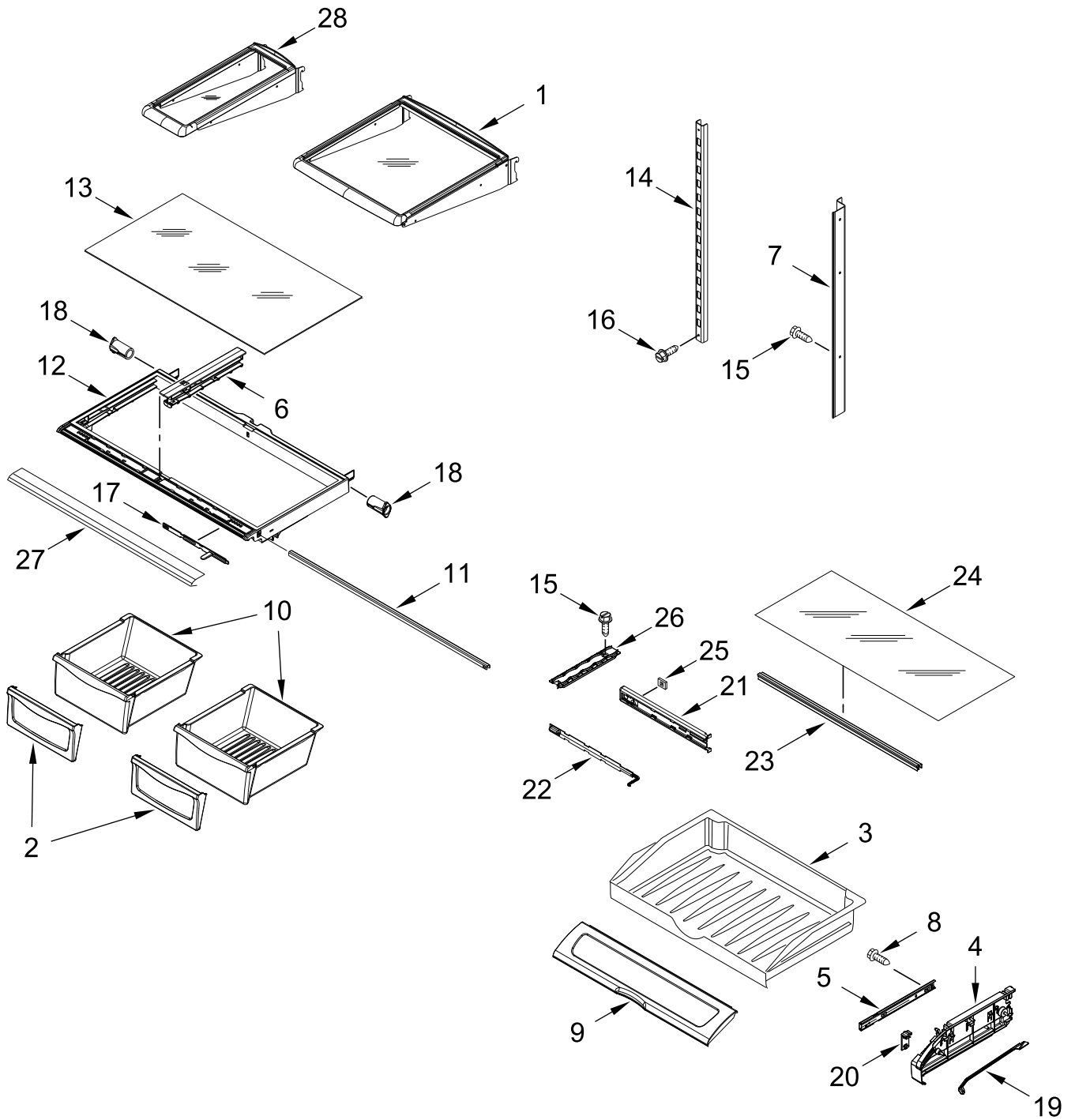
UNIT PARTS



UNIT PARTS

<u>Illus.</u> <u>No.</u>	<u>Part No.</u>	<u>Description</u>	<u>Illus.</u> <u>No.</u>	<u>Part No.</u>	<u>Description</u>	<u>Illus.</u> <u>No.</u>	<u>Part No.</u>	<u>Description</u>
1	12992301	Screw	20	W11337767	Tray, Drip	28	W11563970	Compressor (Also Order the Following Lokring Parts)
2	12825803	Blade, Fan	21	W10622099	Extension, Drain Tube			
3	W11604794	Basepan	22	W11337423	Evaporator (Also Order the Following Lokring Parts)	W11504416	8.5/6 NR MS 00 (Suction Tube to Compressor)	
4	12990511	Screw				W11504431	7/5 NR MS 00 (Discharge Tube to Compressor)	
5	W10350564	Capacitor				W11506621	6 NK MS 00 (Charging Tube to Compressor)	
6	W11623085	Tube, Suction						
7	2319835	Grommet, Condenser		W11504423	8/2 NR AL 00 (Capillary Tube to Evaporator)			
8	W10655368	Pan, Drain						
9	W10622701	Screw		W11504415	8.5/8 NR MS 00 (Suction Line to Evaporator)			
10	W11287565	Heater, Defrost	23	W11244122	Gasket, Foam			
11	W11629200	Strap, Bale	24	W11505534	Motor, Condenser Fan	W11506635	Tube, Charging (1/4 in w/ Schrader Valve)	
12	W11359985	Device, Start	25	W11380964	Clip, Heater	29	10623002	Clip, Evaporator
13	W10137529	Grommet, Condenser	26	W11654037	Harness, Unit (Includes Power Cord)	30	12477202	Axle, Roller
14	W10236396	Strap, Compressor	27	W10805035	Drier (Service Drier Without Dye) (Also Order the Following Lokring Parts)	31	W11463236	Shroud, Condenser Fan
15	12477102	Roller				32	2169104	Insulation, Sound Deadening
16	12992101	Screw				33	W10815863	Clip, Condenser
17	W11631702	Grommet		W11504445	5/4 NR MS 00 (Heat Loop to Drier)	34	W11309682	Harness, Evaporator Heater (Includes Defrost Thermostat)
18	W11597885	Condenser (Also Order the Following Lokring Parts)				35	W10303521	Sleeve REFRIGERANT CHARGE 51 grams (R600a)
	W11506623	5 NK MS 00 (Discharge Tube to Condenser)		W11504447	5/1.8 NR MS 00 (Capillary Tube to Drier)			
	W11504432	6/5 NR MS 00 (Heat Loop to Condenser)						
19	W10281329	Clip, Drier						

SHELF PARTS



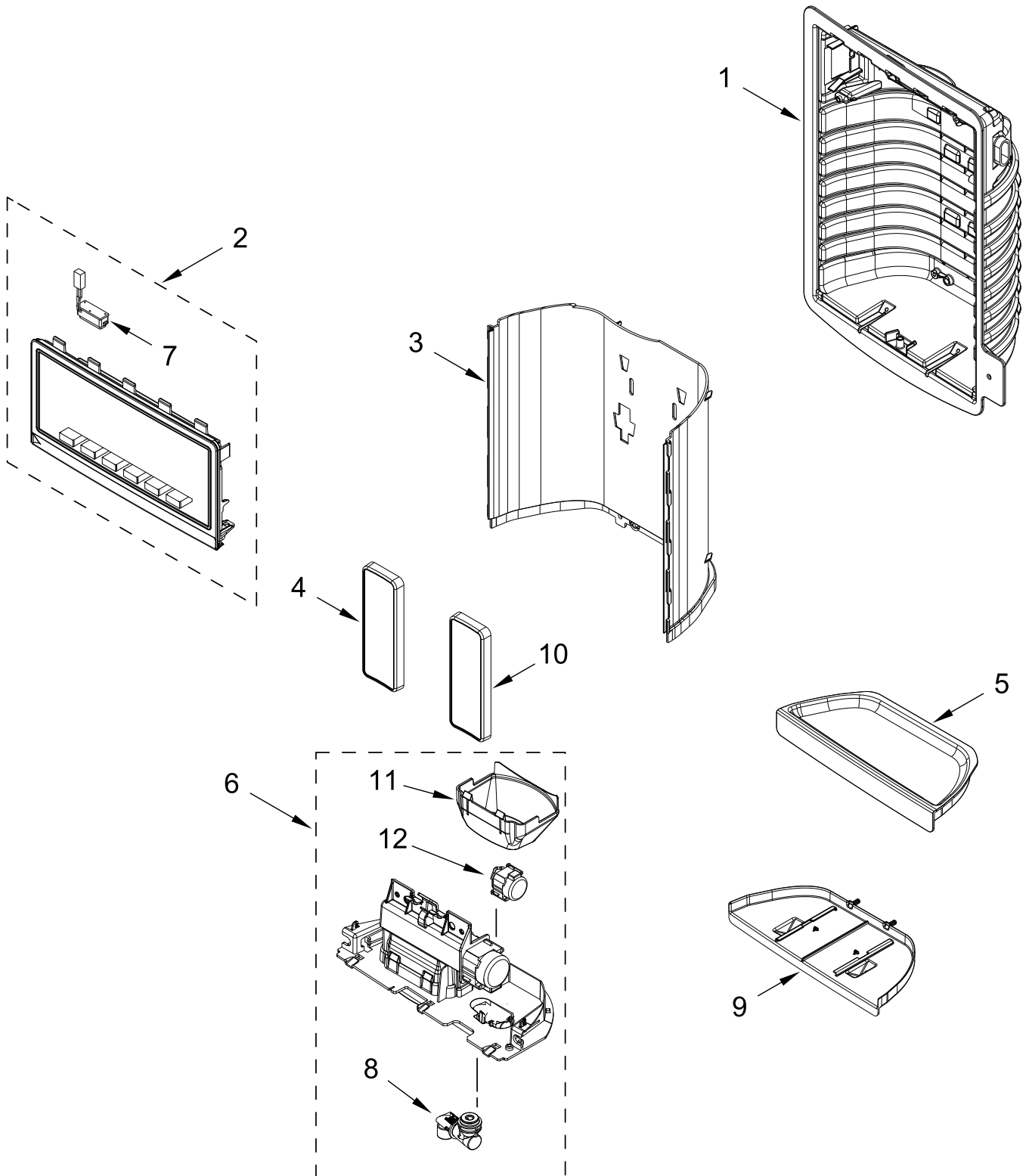
SHELF PARTS

<u>Illus. No.</u>	<u>Part No.</u>	<u>Description</u>
1	W11358363	Shelf, Glide Out
2	12643802SP	Frame, Crisper Pan
3	12731302	Drawer, Pantry
4		Endcap, Pantry
	W10845509	Left Hand
	W10845508	Right Hand
5	W10235370	Glide, Pantry
6	W10326469N	Rail, Center Crisper
7		Ladder, Side
	W10251966	Left Hand
	W10251965	Right Hand
8	12990504	Screw
9	12656813	Lid, Pantry

<u>Illus. No.</u>	<u>Part No.</u>	<u>Description</u>
10	12804601SP	Pan, Crisper
11	12642303WD	Brace, Crisper Cover
12	W10329866	Frame, Crisper
13	12204824N	Glass, Shelf
14	W10273464	Ladder, Center
15	12990513	Screw
16	12990512	Screw
17	12530805SP	Slide, Humidity Control
18	13062602	Support, Crisper Frame
19	12655304	Bar, Control
20	12655204	Knob, Temperature Control

<u>Illus. No.</u>	<u>Part No.</u>	<u>Description</u>
21	12656202	Housing, Control
22	12655402	Slide, Temperature Control
23	W10528933	Support, Glass (Includes Pantry Brace)
24	W10893772	Glass, Shelf
25	12656901	Gasket, Pantry
26	12531901	Track, Deli Drawer
27	W10313178N	Trim, Crisper
28	12885501	Shelf, Mini Stationary

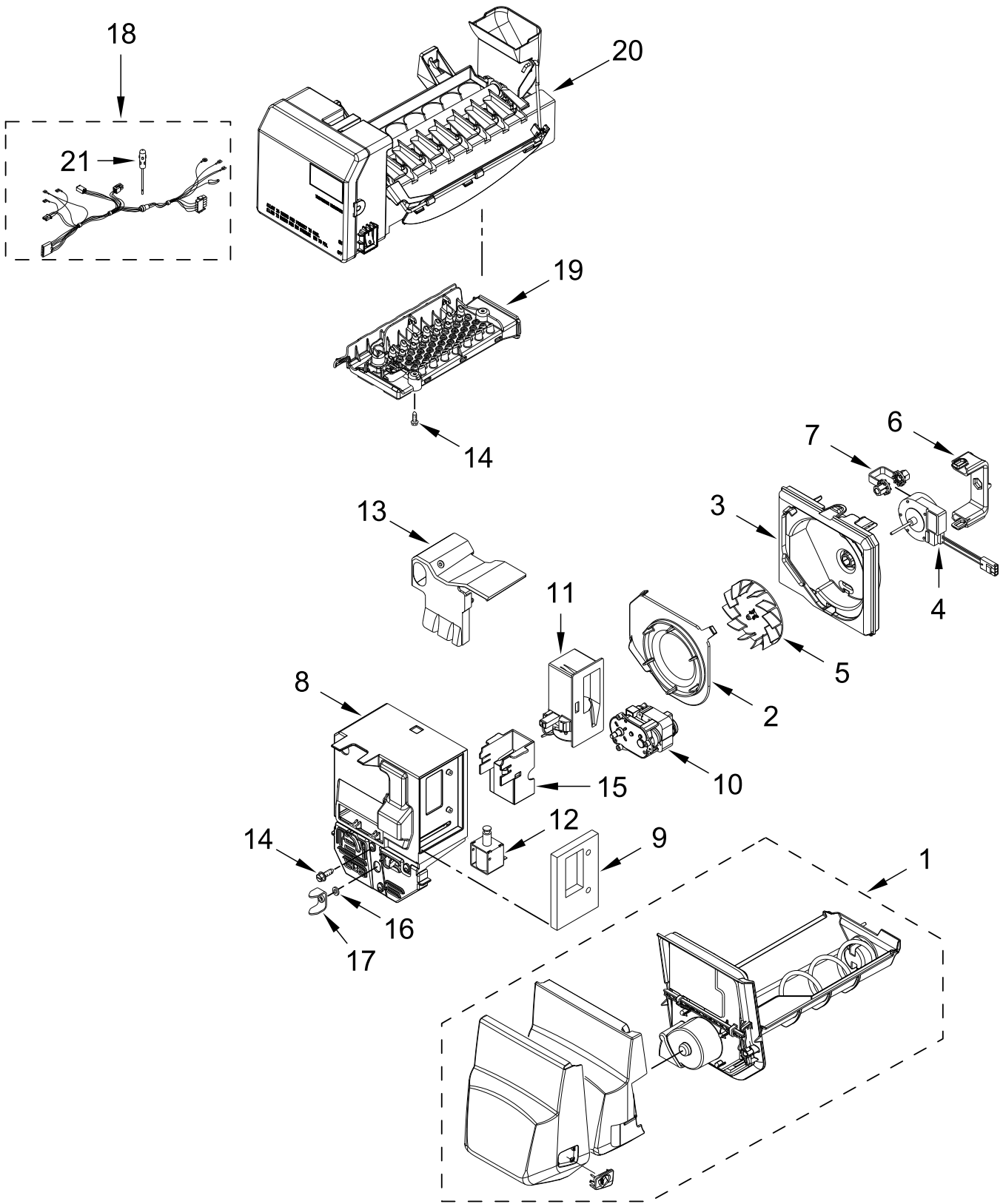
DISPENSER FRONT PARTS



DISPENSER FRONT PARTS

<u>Illus. No.</u>	<u>Part No.</u>	<u>Description</u>	<u>Illus. No.</u>	<u>Part No.</u>	<u>Description</u>	<u>Illus. No.</u>	<u>Part No.</u>	<u>Description</u>
1		Housing, Dispenser (Not Serviced)	5		Tray, Dispenser	9		Tray, Dispenser Slide
				W11045973	Nickel			
2	W11600495	Assembly, Stealth User Interface	6	W10353552	Assembly, Separator (Includes Spigot and Ice Guide)	10	W10267863	Grey Assembly, Water Pad
3		Wall, Dispenser False	7	W10238083	Assembly, LED		W10334825	Grey
	W11045978	Nickel	8	2316647	Assembly, Spigot Body	11	W10339578	Guide, Ice
4		Assembly, Ice Pad				12	W10205979	Motor, Ice Door
	W10334801	Grey						

ICEMAKER AND ICE CONTAINER PARTS



ICEMAKER AND ICE CONTAINER PARTS

<u>Illus.</u> <u>No.</u>	<u>Part No.</u>	<u>Description</u>	<u>Illus.</u> <u>No.</u>	<u>Part No.</u>	<u>Description</u>	<u>Illus.</u> <u>No.</u>	<u>Part No.</u>	<u>Description</u>
1	W11097357	Assembly, Ice Bin	10	W10884561	Motor, Dispenser	19	W11323371	Assembly, Impinger
2	W10121282	Inlet, Blower	11	W10196393	Damper, Control	20	W11525256	Assembly, Complete Icemaker
3	W10309863	Scroll, Blower	12	W11182941	Assembly, Solenoid	21	12791417SP	Thermistor
4	W11299369	Motor, Fan	13	W10118612	Liner, Divider			
5	W10123444	Wheel, Blower	14	12990511	Screw			
6	12956603	Clip, Fan Motor	15	W10346971	Bracket, Solenoid			
7	W10151687	Grommet, Fan Motor	16	W10465946	Washer			
8	W10309864	Divider, Ice Box	17	63052A001	Yoke, Ice Dispenser			
9	12920001	Gasket, Damper	18	W11309962	Harness, Icemaker			

OPTIONAL PARTS

<u>Illus.</u> <u>No.</u>	<u>Part No.</u>	<u>Description</u>
		TOUCH-UP PAINT
W10134625		Apollo Grey
W10917540		Midnight Grey
		MISCELLANEOUS
212643		Sealer, Gum (4 Feet)
479502		Tape, Vinyl (3/4 x 108")
876370		Insulation (2 Pieces, 3" x 24" x 48")
876305		Insulation Kit (14 Pieces, 3" x 24" x 48")
978941		Insulation, Fiberglass (63 1/2" x 35 1/2" x 2 5/8")
876029		Kit, Foam Slab (30" x 32 1/2" x 1 1/2")
505587		Sealer, Mastic (1 Qt)
503695		Cork, Sealer
542638		Grease, Silicone (1/2 Oz.)
542639		Cement, Alumilastic (1 1/4 Oz.)
833938		Kit, Terminal Connector
8003RP		Kit, Water Inlet
		TORX SCREW WRENCH
1117510		Torx Key