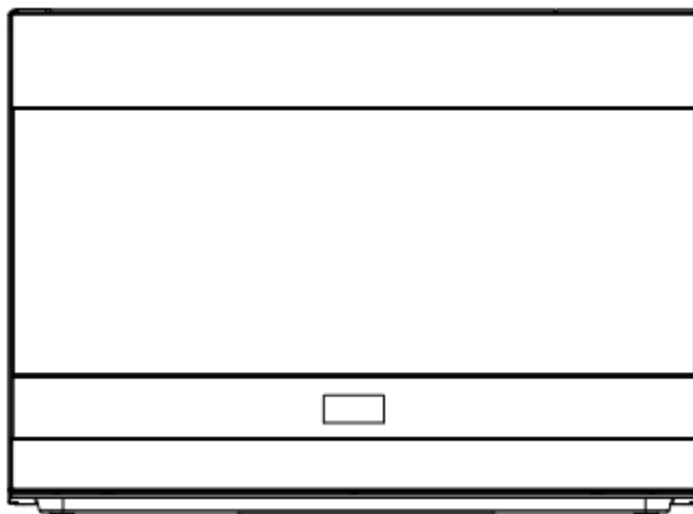




OVER-THE-RANGE MICROWAVE OVEN



Models:
MHOTR241W
MHOTR242B
MHOTR243SS

User Manual

BEFORE USE, PLEASE READ AND FOLLOW ALL SAFETY RULES AND OPERATING INSTRUCTIONS

Write Model & Serial Nos. here:

Model No. _____

Serial No. _____

FELIX STORCH, INC.
An ISO 9001:2015 registered company
770 Garrison Avenue
Bronx, NY 10474
www.summitappliance.com

TABLE OF CONTENTS

<i>Important Safeguards</i>	3-4
<i>Technical Information</i>	5
<i>Location of Parts</i>	5
<i>Installation Instructions</i>	6
<i>Grounding Instructions</i>	6
<i>Operating Instructions</i>	7-12
<i>Control Panel</i>	7-8
<i>Setting the Clock</i>	8
<i>Setting the Timer</i>	8
<i>Light Control</i>	9
<i>Microwave Cooking</i>	9
<i>Multi-Stage Cooking</i>	9
<i>Add 30Sec</i>	9
<i>Auto Defrost</i>	10
<i>Vent Control</i>	10
<i>Auto Cook</i>	10-11
<i>Kids Meals</i>	12
<i>Child Lock</i>	12
<i>Eco Mode</i>	12
<i>Cooking Utensils Guide</i>	13
<i>About Microwave Cooking</i>	14-15
<i>Cleaning and Care</i>	16-18
<i>Limited Warranty</i>	20

IMPORTANT SAFEGUARDS

Your safety and the safety of others is very important.

This manual contains important information regarding the installation, use, and care of your appliance. Read the instructions for use carefully before using the microwave oven to prevent injury and property damage. Please, do not use the microwave oven without reading and understanding these instructions or use first.

WARNING - To reduce the risk of burns, electric shock, fire, and injury to persons or exposure to excessive microwave energy:

- Read all instructions before using the appliance.
- This appliance must be grounded. Connect only to properly grounded outlet. See "GROUNDING INSTRUCTIONS" on page 6.
- Install or locate this appliance only in accordance with the provided installation instructions.
- Some products, such as whole eggs, sealed containers and/or closed glass jars, for example, may explode and should not be heated in this oven.
- Use this appliance only for its intended use as described in this manual.
- Do not use corrosive chemicals or vapors in this appliance. This type of oven is specifically designed to heat, cook, or dry food. It is not designed for industrial or laboratory use.
- As with any appliance, close supervision is necessary when used by children.
- To reduce the risk of fire in the oven cavity:
 - Do not overcook food. Carefully attend appliance when paper, plastic, or other combustible materials are placed inside the oven to facilitate cooking.
 - Remove wire twist-ties from paper or plastic bags before placing bag in oven.
 - If materials inside the oven should ignite, keep oven door closed, turn oven off, and disconnect the power cord or shut off power at the fuse or circuit breaker panel.
 - Do not use the cavity for storage purposes. Do not leave paper products, cooking utensils or food in the cavity when not in use.
- Liquids, such as water, coffee, or tea can be overheated beyond the boiling point without appearing to be boiling due to surface tension of the liquid. Visible bubbling or boiling when the container is removed from the microwave oven is not always present. **THIS COULD RESULT IN VERY HOT LIQUIDS SUDDENLY BOILING OVER WHEN A SPOON OR OTHER UTENSIL IS INSERTED INTO THE LIQUID.** To reduce the risk of injury to person:
 - Do not overheat the liquid.
 - Stir the liquid both before and halfway through heating it.
 - Do not use straight-sided containers with narrow necks.
 - After heating, allow the container to stand in the microwave oven for a short time before removing the container.
 - Use extreme care when inserting a spoon or other utensil into the container.
- Do not heat oil or fat for deep-frying. It is difficult to control the temperature of oil in microwave oven.
- Do not cover or block any openings on the appliance.
- Do not store or use this appliance outdoors. Do not use this product near water, for example, near a kitchen sink, in a wet basement, near a swimming pool, or similar locations.
- Do not operate this appliance if it has a damaged cord or a plug, if it is not working properly or if it has been damaged or dropped.
- Do not immerse cord or plug in water. Keep cord away from heated surface. Do not let cord hang over edge of table or counter.
- Use only thermometers, which are specifically designed for use in microwave ovens.
- This appliance should be serviced only by qualified service personnel, contact nearest authorized service facility for examination, repair, or adjustment.
- When cleaning surfaces of door and oven that comes together on closing the door, use only mild, nonabrasive soaps, or detergents applied with a sponge or soft cloth.

- This equipment has been tested and found to comply with Part 18 of the FCC Rules. Operation is subject to the following two conditions: (1) This device may not cause harmful interference, and (2) this device must accept any interference received, including interference that may cause undesired operation.

CAUTION: Changes or modifications not expressly approved by the party responsible for compliance could void the user's authority to operate the product.

- VENTILATING HOODS
 - Clean Ventilating Hoods Frequently. Grease should not be allowed to accumulate on the hood or filter.
 - When flaming foods under the hood, turn the fan on.
- Use care when cleaning the vent-hood filter. Corrosive cleaning agents, such as lye-based oven cleaners, may damage the filter.
- Suitable for use above both gas and electric cooking equipment.
- This equipment generates, uses, and can radiate radio frequency energy and, if not installed and used in accordance with the instructions, may cause harmful interference to radio communications. However, there is no guarantee that interference will not occur in a particular installation. If this equipment does cause harmful interference to radio or television reception, which can be determined by turning the equipment off and on, the user is encouraged to try to correct the interference by one or more of the following measures:
 - Reorient or relocate the receiving antenna.
 - Increase the separation between the equipment and receiver.
 - Connect the equipment into an outlet on a circuit different from that to which the receiver is connected.
 - Consult the dealer or an experienced radio/TV technician for help.

ABOUT CHILDREN AND THE MICROWAVE

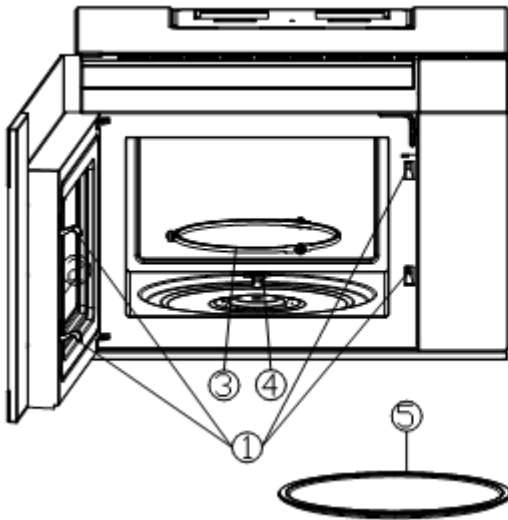
- Children below the age of 7 should use the microwave oven in a closely supervised environment. Between the ages of 7 and 12, a supervising person should be in the same room.
- The children must be able to reach the oven comfortably; if not, he/she should stand on a sturdy stool.
- At no time should anyone be allowed to lean or swing on the microwave oven door.
- Children should be taught all safety precautions; use potholders, remove coverings carefully and pay special attention to packages that crisp food because they may be extra hot.
- Don't assume that because a child has mastered one cooking skill he/she can cook everything.
- Children need to learn that the microwave oven is not a toy.

-SAVE THESE INSTRUCTIONS-

TECHNICAL INFORMATION

Power Supply		120V 20AC 60Hz
Microwave	Power Consumption	1500W
	Output Power	1000W
	Frequency	2450MHz
Outside Dimensions		17 1/2" (H) x 23 7/8" (W) x 16 11/16" (D)
Cavity Dimensions		10 13/16" (H) x 15 5/16" (W) x 15 1/4" (D)
Oven Capacity		1.4Cu.Ft.
Cooking Uniformity		Turntable
Weight		MHOTR241W and MHOTR242B: Approx. (net) 50.8lb MHOTR243SS: Approx. (net) 51.6lb

LOCATION OF PARTS



1. Door Safety Lock System
2. Oven Window
3. Roller Ring
4. Shaft
5. Glass Tray

INSTALLATION INSTRUCTIONS

Before Using your Microwave

- Carefully remove the microwave from the box. **SAVE THE CARTON AS IT MAY MAKE INSTALLATION EASIER.** Remove:
 - All packing materials from inside the oven cavity; however, **DO NOT REMOVE THE WAVEGUIDE COVER**, which is located on the inside wall of the oven cavity. Check to see that there are Installation Instructions, Wall Template, Top Cabinet Template, bag of Installation Hardware, Charcoal Filter, and Exhaust Damper Assembly. Read enclosures and **SAVE** the Owner's Instructions.
 - The feature sticker from the outside of the door, if there is one.
- Check the oven for any damage, such as a misaligned or bent door, damaged door seals and sealing surfaces, broken or loose door hinges and latches and dents inside the cavity or on the door. If there is any damage, do not operate the oven and contact your dealer.
- See the *Installation Instructions* section for more details.

GROUNDING INSTRUCTIONS

This appliance must be grounded. In the event of an electrical short circuit, grounding reduces the risk of electric shock by providing an escape wire for the electric current. This appliance is equipped with a cord having a grounding wire with a grounding plug. The plug must be plugged into an outlet that is properly installed and grounded.

CAUTION: Improper use of the grounding plug can result in a risk of electric shock.

Consult a qualified electrician or serviceman if the grounding instructions are not completely understood or if doubt exists as to whether the appliance is properly grounded. If it is necessary to use an extension cord, use only a 3-wire extension cord that has a 3-blade grounding plug, and a 3-slot receptacle that will accept the plug on the appliance. The marked rating of the extension cord shall be equal to or greater than the electrical rating of the appliance.

Electrical Requirements

The electrical requirements are a 120 volt 60 Hz, AC only, 20 amp. It is recommended that a separate circuit serving only the microwave oven be provided. The unit is equipped with a 3-prong grounding plug. It must be plugged into a wall receptacle that is properly installed and grounded.

Power Supply Cord

1. A short power supply cord is provided to reduce the risks resulting from becoming entangled in or tripping over a longer cord.
2. Longer cord sets or extension cords are available and may be used if care is exercised in their use.
3. If long cord or extension cord is used :
 - a) The marked electrical rating of the cord set or extension cord should be at least as great as the electrical rating of this appliance.
 - b) The extension cord must be a grounding-type 3-wire cord, and the longer cord should be arranged so that it will not drape over the counter top or table top where it can be pulled on by children or tripped over unintentionally.

OPERATING INSTRUCTIONS

CAUTION: To avoid the risk of personal injury or property damage, do not operate the microwave oven empty, use stoneware, aluminum foil, metal utensils, or metal trimmed utensils.

- Press the **Stop/Cancel** button or open the door during cooking, to pause the microwave program. Close the door, and press the **Start/Add 30 Sec** button to resume your program. Press the **Stop/Cancel** button twice to cancel the program completely.
- After the cooking stops, "END" will display and the microwave will beep every two minutes until you press the **Stop/Cancel** button, or open the door.
- SIGNALS DURING OVEN SETTINGS:
 - **ONE SIGNAL:** Your entry has been accepted.
 - **TWO SIGNALS:** Your entry has not been accepted. Please reenter your desired cooking program.
- **NEVER** use the unit without the turntable and support, or turn the turntable over so that a large dish could be placed inside. The turntable will turn both clockwise and anticlockwise.
- **ALWAYS** have food in the unit when it is on to absorb the microwave energy.

NOTE: When using the unit at power levels below 100%, you may hear the magnetron cycling on and off.

- Condensation is a normal part of microwave cooking. Ambient humidity and the moisture in food will influence the amount of moisture that condenses in the oven. Generally, covered foods will not cause as much condensation as uncovered ones. Ventilation openings must not be blocked.
- In using recipes or following package directions, check food a minute or two before the minimum time and add time accordingly.

Control Panel



Display

Cooking time, power, indicators and clock time are displayed.

Auto Cook

Instant settings to cook popular foods.

Defrost

Used to set defrost program.

Kids' Meals

Used to cook Kids Meals (see page 12).

Eco Mode

Used to set the save power mode.

Vent 2 Speed

Press to change vent speed.

Light On/Off

Press to turn the light on or off.

Timer

Press to set timer function.

Clock

Used to set the time of clock.

Number Pads

Press to enter cooking time, power level, or food weight.

Power Level

Press to set cooking power level.

Time Cook

Used to set cooking time.

Stop/Cancel

Press to stop the oven press and hold for 3 seconds to set child lock.

Start/Add 30 Sec

Press to start the oven. Simply press it a number of times to set cooking time and cook immediately at full power level It is used to add cooking time.

Setting the Clock

NOTE: When the oven is first plugged in, the display will show "12:00" flashing.

This is a 12 or 24 hour clock. In standby mode, press **Clock** pad once to choose 12 hour clock and if you want to choose 24 hour clock, press **Clock** pad again. For example, suppose you want to set the clock for 8:08 am.

1. In standby mode, press **Clock** pad once or twice.
2. Press number pads **8**, **0** and **8**, the display will show "08:08".
3. Press **Start/Add 30 Sec** to confirm

NOTES:

- During cooking, you can press the **Clock** button to check the clock time.
- When setting the clock, "00:00" will display and two beeps will sound to remind you to re-enter the time, if the time you enter is beyond the scope of clock.

Setting the Timer

1. In standby mode or during cooking, press the **Timer** button once.
2. Use the number buttons to enter time. The longest time you can set is 99 minutes and 99 seconds.
3. Press the **Start/Add 30 Sec** button to start the timer.

NOTE: Once you have set the timer function, in standby mode or during cooking, you can check the countdown by pressing the **Timer** button. Press the **Stop/Cancel** button to cancel the timer function when the display shows the countdown time.

Light Control

This feature is designed to illuminate the area below your microwave. To turn on the light at the bottom of the oven, press the **Light On/Off** button once. To turn the light off, press the **Light On/Off** button twice.

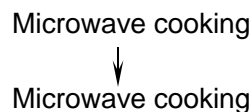
Microwave Cooking

1. In standby mode, press the **Time Cook** button once.
2. Use the number pads to enter cooking time. The longest time is 99 minutes and 59 seconds.
3. Press the **Power Level** button once, and then use the number pads to enter power level.
4. Press the **Start/Add 30 Sec** button to confirm.

Use the number buttons to choose cooking power level			
Number Button	Percent (Display)	Number Button	Percent (Display)
1,0	100% (PL10)	4	40% (PL-4)
9	90% (PL-9)	3	30% (PL-3)
8	80% (PL-8)	2	20% (PL-2)
7	70% (PL-7)	1	10% (PL-1)
6	60% (PL-6)	0	0% (PL-0)
5	50% (PL-5)		

Multi-Stage Cooking

Your oven can be programmed for up to 2 microwave cooking sequences. Suppose you want to set the following cooking program:



1. In standby mode, input the first stage of microwave cooking. Do not press the **Start/Add 30 Sec** button
2. Input the second stage of microwave cooking.
3. Press the **Start/Add 30Sec** button to start.

NOTE: Auto menu, defrost, and kids meals cannot be set in a multi-stage cooking program.

Add 30Sec

In standby mode, simply press the **Start/Add 30 Sec** button repeatedly to set the cooking time in increments of 30 seconds, and the oven will start cooking immediately at 100% power level. The longest cooking time you can enter is 99 minutes and 59 seconds.

NOTE: During cooking (except auto cook and auto defrost), you can also add cooking time by pressing the **Start/Add 30Sec** button during cooking.

Auto Defrost

The defrosting power is adjusted automatically once the cooking time is programmed.

1. In standby mode, press the **Defrost** button once, "00:00" and "DEF" will display.
2. Press the number buttons to enter defrosting time. The longest time is 99 minutes and 59 seconds.
3. Press the **Start/Add 30 Sec** button to confirm.

NOTE: During the defrosting, the microwave will pause and a beep will sound to remind you to turn the food over. Then, press the **Start/Add 30 Sec** button to resume the defrosting.

Vent Fan Control

- Your microwave can be used as a range hood. When it is turned on, the fan motor starts filtering out smoke, odors, and grease generated from cooking.
- In standby mode, the vent fan is manual control. Press the **Vent 2 Speed** button to select the vent speed:

Press Vent 2 Speed button	Working Mode	Display
Once	Low wind	Vent. L
Twice	High Wind	Vent. H
3 times	Turn off	Put Out

NOTE: When cooking is started, the vent fan automatically turns on at low speed. After cooking, the fan will shut off. If you manually switch the fan to high speed, the vent fan will work at high speed for approximately 20 minutes, then return to low speed. When the microwave cooking is finished with the vent motor on, press the **Vent 2 Speed** button to stop.

Auto Cook

For foods such as popcorn, cheese, vegetables and so on, it is not necessary to program the time and the cooking power. It is sufficient to indicate the type of food that you want to cook as well as the weight or shares of this food.

Pizza, Potatoes, and Popcorn

1. In standby mode, press the **AUTO COOK** button to select the appropriate menu code "A-1", "A-2" or "A-5".

Press AUTO COOK	Menu	Code	Weight Ranges
Once	Pizza	A-1	5~16 oz(150~450g)
Twice	Potato	A-2	6~8 oz(170~230g)
5 times	Popcorn	A-5	3.2 oz

2. Press the **Start/Add 30Sec** button to start.

Beverages, Cheese, Ice Cream, and Butter

1. In standby mode, press the **AUTO COOK** button repeatedly to select menu code "A-6", "A-8", "A-9" or "A-10".
2. Use number buttons to select the food weight or shares.

Press AUTO COOK	Menu	Code	Press Number	Share (Weight)
6 times	Beverage	A-6	1	1 (8oz)
			2	2 (10oz)
			3	3 (12oz)
8 times	Cheese	A-8	1	1 (4oz)
			2	2 (8oz)
9 times	Ice cream	A-9	1	1 (4oz)
			2	2 (8oz)
10 times	Butter	A-10	1	1 (4oz)
			2	2 (8oz)

3. Press the **Start/Add 30Sec** button to start.

Meat, Reheating Items, and Veggies

1. In standby mode, press the **AUTO COOK** button to select the appropriate menu code "A-3", "A-4" or "A-7".
2. Use the number buttons to select the appropriate submenu.

Press AUTO COOK	Menu	Code	Press Number	Submenu	Weight Ranges
3 times	Meat	A-3	1	Pork	5~24 oz (150~700g)
			2	Chops	
			3	Ground Meat	
			4	Chicken Piece	
4 times	Reheat	A-4	1	Dinner Plate	5~24 oz (150~700g)
			2	Casserole	
			3	Pasta	
7 times	Veggies	A-7	1	Fresh Veggies	7~21 oz (200~600g)
			2	Frozen Veggies	

3. Press **Start/Add 30 Sec** pad to start.

NOTES:

- If there is error during an auto cook program, (for example, the sensor short circuit or open circuit) the program will stop automatically with the display showing "E-1", and the unit will beep every two seconds until you press the **Stop/Cancel** button.
 - If no error occurs, the system will judge the corresponding cooking time based on the steam generated by the food, after cooking for a period of time. The countdown will display on the screen.
- During an auto cook program, if you press the **STOP/CANCEL** button or open the door, the program will end complete and the unit will return to standby mode.
- During the longest auto cook program, if the microwave cannot test the cooking time according to the steam produced by food, the cooking program will automatically end.

Kids Meals

Using Kids Meals lets you heat common microwave-prepared foods without needing to program times and cooking power.

For hot dogs or frozen sandwiches:

1. Press the **Kids Meals** button once.
2. Press the number "**2 or 4**" to choose hot dogs or frozen sandwiches.
3. Press the **Start/Add 30Sec** button to confirm your choice.
4. Press the **Start/Add 30Sec** button to start cooking.

For chicken nuggets or French fries:

1. Press the **Kids Meals** button once.
2. Press the number "**1 or 3**" to choose chicken nuggets or French fries.
3. Press the **Start/Add 30Sec** button to confirm your choice. The display will show "4" and "START".
4. Press the number "**1 or 2**" to choose the food weight (1 for 4 oz, 2 for 8 oz).
5. Press the **Start/Add 30Sec** button to start cooking.

KIDS MEALS		
Food	Press number	Share/Weight
Chicken nuggets	1	4 oz
		8 oz
Hot dogs	2	1 share (3.5 oz)
Fresh fries	3	4 oz
		8 oz
Frozen Sandwiches	4	1 share (7 oz)

Child Lock

Use the child lock to prevent the unsupervised operation of the microwave by young children.

- **To set:** In standby mode, press and hold the **Stop/Cancel** button for at least 3 seconds. The microwave will beep, the oven will enter child lock mode, and the lock indicator light will turn on. In the lock state, all buttons are disabled.
- **To cancel:** Press and hold the **Stop/Cancel** button for at least 3 seconds. The microwave will beep, the indicator light will turn off. The microwave will be unlocked for use.

Eco Mode

- **To set:** In standby mode, press the **Eco Mode** button once to enter the power saving mode. At this point, the display, outside lamp, and exhaust fan are disabled. Press any button, and the oven will return to standby mode, the display will appear as normal, but the microwave itself is not out of power saving mode. If there is not any operation within 1 minute, the system automatically enters the power saving mode.
- **To cancel:** In power saving mode, press the **Eco Mode** button once to cancel power saving mode. The oven will return to the previous settings. And the oven cannot enter power save mode if there are not any operations within 1 minute.

COOKING UTENSILS GUIDE

This section lists which utensils can be used in this microwave, which have limited use for short periods, and which should not be used. Check your food in several places. Conventional thermometers may be used on microwaved food, once the food has been removed from the oven.

Recommended

- **Microwave browning dish:** Use to brown the exterior of small items such as steaks, chops, or pancakes. Follow the directions provided with your browning dish.
- **Microwaveable plastic wrap:** Use to retain steam. Leave a small opening for some steam to escape and avoid placing it directly on the food.
- **Paper towels and napkins:** Use for short-term heating and covering; these absorb excess moisture and prevent spattering. Do not use recycled paper towels, which may contain metal and could ignite.
- **Glass and glass-ceramic bowls and dishes:** Use for heating or cooking.
- **Paper plates and cups:** Use for short-term heating at low temperatures. Do not use recycled paper, which may contain metal and could ignite.
- **Wax paper:** Use as a cover to prevent spattering.
- **Thermometers:** Use only those labeled "Microwave Safe" and follow all directions. Check the food in several places. Conventional thermometers may be used on microwave food once the food has been removed from the oven.

Limited Use

- **Ceramic, porcelain, and stoneware:** Use these if they are labeled "Microwave Safe". If they are not labeled, test them to make sure they can be used safely.
- **Plastic:** Use only if labeled "Microwave Safe". Other plastics can melt.

Not Recommended

- **Glass jars and bottles:** Regular glass is too thin to be used in a microwave. It can shatter and cause damage and injury.
- **Paper bags:** These are a fire hazard, except for popcorn bags that are designed for microwave use.
- **Styrofoam plates and cups** — These can melt and leave an unhealthy residue on food.
- **Plastic storage and food containers:** Containers such as margarine tubs can melt in the microwave.
- **Metal utensils:** These can damage your oven. Remove all metal before cooking.

ABOUT MICROWAVE COOKING

- Arrange food carefully by placing the thickest areas towards the outside of dish.
- Be mindful of the cooking time. Begin cooking for the shortest amount of time indicated, then add more time, as needed. Food severely overcooked can smoke or ignite.
- Try to cover your food while cooking. Check the recipe or cookbook you are using for suggestions: paper towels, wax paper, microwave plastic wrap or a lid are suitable covers. Covers prevent spattering and help foods to cook evenly.
- Stir foods from outside to center of dish once or twice during cooking, if possible.
- Turn foods over once during microwaving to speed cooking of foods like chicken and hamburgers. Large items like roasts must be turned over at least once.
- Rearrange foods such as meatballs halfway through cooking both from top to bottom and from the center of the dish to the outside.
- Add standing time. Remove food from oven and stir, if possible. Cover for an additional amount of time, which allows the food to finish cooking without overcooking.
- Check for doneness. Look for signs indicating that cooking temperatures have been reached.
- Doneness signs include:
 - Food steams throughout, not just at the edge.
 - Center bottom of dish is very hot to the touch.
 - Poultry thigh joints move easily.
 - Meat and poultry show no pinkness.
 - Fish is opaque and flakes easily with a fork.

FOOD	DO	DON'T
Eggs, sausages, fruits & vegetable	<ul style="list-style-type: none"> • Puncture egg yolks before cooking to prevent "explosion". • Pierce skins of potatoes, apples, squash, hot dogs, and sausages so that steam escapes. 	<ul style="list-style-type: none"> • Cook egg in shells. • Reheat whole eggs.
Popcorn	<ul style="list-style-type: none"> • Use specially bagged popcorn for the microwave oven. • Listen while popping corn for the popping to slow to 1 or 2 seconds or use a special popcorn pad. 	<ul style="list-style-type: none"> • Pop popcorn in regular brown bags or glass bowls. • Exceed maximum time on popcorn package.
Baby food	<ul style="list-style-type: none"> • Transfer baby food to small dish and heat carefully, stirring often. Check temperature before serving. • Put nipples on bottles after heating and shake thoroughly. "Wrist" test before feeding. 	<ul style="list-style-type: none"> • Heat disposable bottles. • Heat bottles with nipples on. • Heat baby food in original jars.
General	<ul style="list-style-type: none"> • Cut baked goods with filling after heating to release steam and avoid burns. • Stir liquids briskly before and after heating to avoid "eruption". • Use deep bowl, when cooking liquids or cereals, to prevent boil overs. 	<ul style="list-style-type: none"> • Heat or cook in closed glass jars or airtight containers. • Can in the microwave as harmful bacteria may not be destroyed. • Deep fat fry. • Dry wood, gourds, herbs or wet papers.

- Check foods to see that they are cooked to the following recommended temperatures:

TEMP	FOOD
160°F	...for fresh pork, ground meat, boneless white poultry, fish, seafood, egg dishes and frozen prepared food.
165°F	...for leftover, ready-to-reheat refrigerated, and deli and carry-out “fresh” food.
170°F	...white meat poultry.
180°F	...dark meat poultry.

- To test for doneness, insert a meat thermometer in a thick or dense area away from fat of bone. **NEVER** leave the thermometer in the food during cooking, unless it is approved for microwave oven use.
- **ALWAYS** use potholders when handling utensils that are in contact with hot food to prevent burns. Enough heat from the food can transfer through utensils to cause skin burns.
- Avoid steam burns by directing steam away from the face and hands. Slowly lift the farthest edge of a dish’s covering and carefully open popcorn and oven cooking bags away from the face.
- Stay near the oven while it’s in use and check cooking progress frequently so that there is no chance of overcooking food.
- **NEVER** use the interior of the microwave for storing cookbooks or other items.
- Select, store, and handle food carefully to preserve its quality and minimize the spread of food borne bacteria.
- Keep waveguide cover clean. Food residue can cause arcing and/or fires.
- Use care when removing items from the oven so that utensils, your clothes, or accessories do not touch the safety door latches.

CLEANING AND CARE

Exterior

The outside surface is pre-coated steel and plastic. Clean the outside with mild soap and water, and then rinse and dry with a soft cloth. Do not use any type of household or abrasive cleaner.

Door

Wipe the door window on both sides with a damp cloth to remove any spills or splatters. Metal parts will be easier to maintain if wiped frequently with a damp cloth. Avoid the use of sprays and other harsh cleaners as they may stain, streak, or dull the door surface.

Control Panel

Carefully clean the control panel immediately after it is soiled. If the control panel becomes soiled:

1. Open the oven door before cleaning.
2. Wipe the panel with a cloth dampened slightly with water only.
3. Dry with a soft cloth.

NOTE: Do not scrub or use any sort of chemical cleaners. Close door and press STOP/CANCEL.

Interior

Wipe the interior surfaces with a soft cloth and warm water. **DO NOT USE AN ABRASIVE OR HARSH CLEANER OR SCOURING PAD.** For heavier food spatter, use baking soda or a mild soap, and rinse thoroughly with hot water.

Waveguide Cover

- The waveguide cover is on the right side of the cavity. It is made from Mica and requires special care to ensure good, even performance.
- Remove any food splatters immediately by wiping with a damp cloth. Built-up splashes may overheat and cause smoke or possibly catch fire. **DO NOT REMOVE THE WAVEGUIDE COVER.**

Odor Removal

Occasionally, a cooking odor may remain in the oven. To remove, combine 1 cup water, grated peel and juice of 1 lemon and several whole cloves in a 2-cup glass measuring cup. Boil for several minutes using 100% power. Allow to set in oven until cool. Wipe interior with a soft cloth.

Turntable/Turntable Support

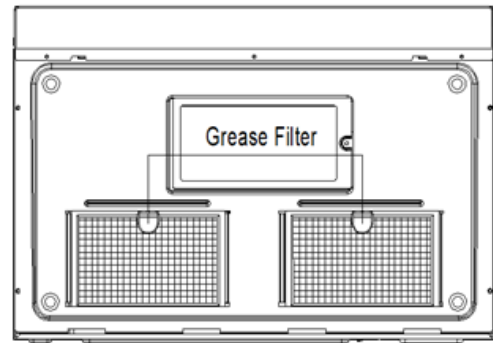
The turntable and turntable support can be removed for easy cleaning. Wash them in mild, soapy water, and the dry thoroughly. For stubborn stains, use a mild cleanser and a non-abrasive scouring sponge, and wash in mild, soapy water before drying.

The turntable and support are also dishwasher safe. Use upper rack of dishwasher. The turntable motor shaft is not sealed, so excess water or spills should be wiped up immediately.

Grease Filters

The grease filters should be cleaned at least once a month. Never operate the fan or oven without the filters in place.

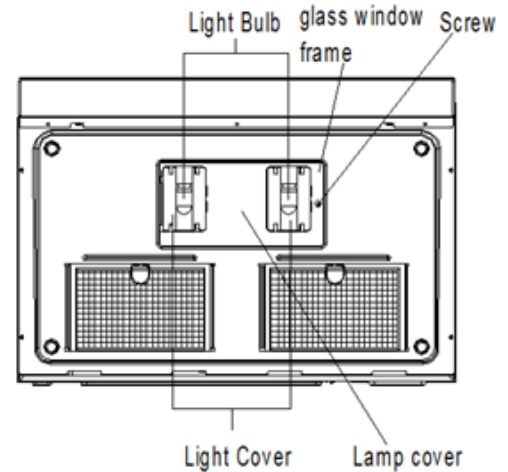
1. Pull down slightly on the tab toward the front of the oven and remove the filter. Repeat for the other filter.
2. Soak the filter in a sink or dish pan filled with hot water and detergent. **DO NOT** use ammonia or other alkali; they will react with the filter material and darken it.
3. Agitate and scrub the filter with a brush to remove embedded dirt.
4. Rinse thoroughly and shake dry.
5. Replace by fitting the filter back into the opening.



Light

1. Unplug or disconnect the power.
2. Remove the screw on the glass window frame.
3. Unscrew the bulbs from the lamp sockets carefully and replace them. **DO NOT USE A BULB LARGER THAN 30 WATTS.**
4. Close the glass window frame and secure with screw removed in step 2.

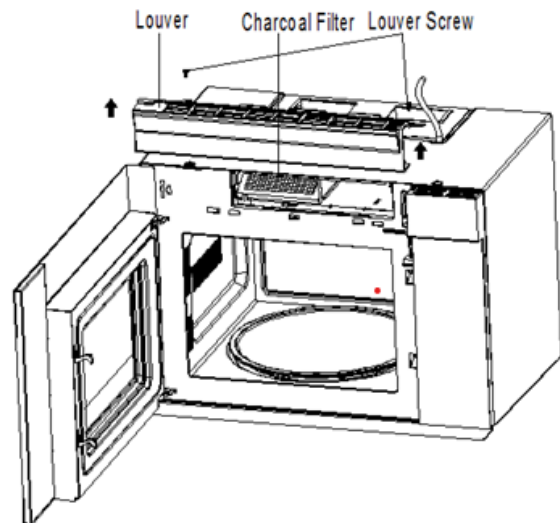
CAUTION: The light cover may be very hot. Do not touch the lamp cover when light is on.



Charcoal Filter

The charcoal filter is used in a non-vented (recirculating) installation. The filter should be changed every 6 to 12 months, depending on use.

1. Unplug or disconnect power.
2. Use a Phillips head screwdriver to remove the two screws from the shell top and panel.
3. Open the door, and lift the louver up to separate it from the oven.
4. Change the charcoal filter.
5. Carefully push the louver back into place, and replace the screws removed in step 2.

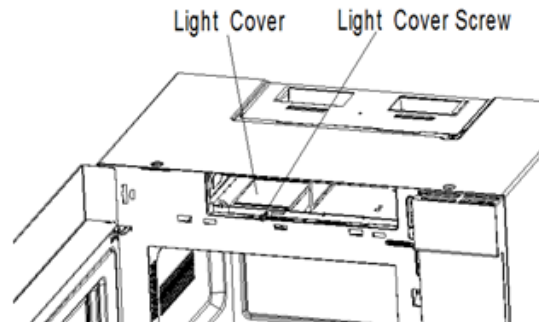


Microwave Oven Light

1. Follow steps 1-3 in the *Charcoal Filter* section, then take the filter out of the microwave.
2. Use a Phillips head screwdriver to remove the light cover screw, then lift the cover up and take it out carefully.
3. Unscrew the bulb from the lamp socket carefully, and replace it.

NOTE: Do not use a bulb larger than 30 Watts.

4. Replace the light cover, screw and the charcoal filter. Push the louver back into place and replace the louver mounting screws.



NOTES

LIMITED WARRANTY

90-DAY LIMITED WARRANTY

Within the 48 contiguous United States, for 90 days from the date of purchase, when this appliance is operated and maintained according to instructions attached to or furnished with the product, warrantor will pay for factory-specified parts and repair labor to correct defects in materials or workmanship. Service must be provided by a designated service company. Outside the 48 states, all parts are warranted for 90 days from manufacturing defects. Plastic parts, shelves and cabinets are warranted to be manufactured to commercially acceptable standards, and are not covered from damage during handling or breakage.

ITEMS WARRANTOR WILL NOT PAY FOR:

1. Service calls to correct the installation of your appliance, to instruct you how to use your appliance, to replace or repair fuses or to correct wiring or plumbing.
2. Service calls to repair or replace appliance light bulbs or broken shelves. Consumable parts (such as filters) are excluded from warranty coverage.
3. Damage resulting from accident, alteration, misuse, abuse, fire, flood, acts of God, improper installation, installation not in accordance with electrical or plumbing codes, or use of products not approved by warrantor.
4. Replacement parts or repair labor costs for units operated outside the United States.
5. Repairs to parts or systems resulting from unauthorized modifications made to the appliance.
6. The removal and reinstallation of your appliance if it is installed in an inaccessible location or is not installed in accordance with published installation instructions.

DISCLAIMER OF IMPLIED WARRANTIES; LIMITATION OF REMEDIES

CUSTOMER'S SOLE AND EXCLUSIVE REMEDY UNDER THIS LIMITED WARRANTY SHALL BE PRODUCT REPAIR AS PROVIDED HEREIN. IMPLIED WARRANTIES, INCLUDING WARRANTIES OF MERCHANTABILITY OR FITNESS FOR A PARTICULAR PURPOSE, ARE LIMITED TO 90 DAYS. WARRANTOR SHALL NOT BE LIABLE FOR INCIDENTAL OR CONSEQUENTIAL DAMAGES. SOME STATES DO NOT ALLOW THE EXCLUSION OR LIMITATION OF INCIDENTAL OR CONSEQUENTIAL DAMAGES, OR LIMITATIONS ON THE DURATION OF IMPLIED WARRANTIES OF MERCHANTABILITY OR FITNESS, SO THESE EXCLUSIONS OR LIMITATIONS MAY NOT APPLY TO YOU. THIS WARRANTY GIVES YOU SPECIFIC LEGAL RIGHTS AND YOU MAY ALSO HAVE OTHER RIGHTS, WHICH VARY FROM STATE TO STATE.



WARNING: This product can expose you to chemicals including Nickel (Metallic) which is known to the State of California to cause cancer.

For more information go to www.P65Warnings.ca.gov

Note: Nickel is a component in all stainless steel and some other metallic compositions.

Summit Appliance
Division of Felix Storch, Inc.
An ISO 9001:2015 registered company
770 Garrison Avenue
Bronx, NY 10474
www.summitappliance.com

SUMMIT
A P P L I A N C E

For parts and accessory ordering,
troubleshooting and helpful hints, visit:
www.summitappliance.com/support

Revised September 2020