

MLRE224

24" REFRIGERATOR



BrightShield protects against viruses, bacteria, mold and mildew.



MARVEL CLASSIC COLLECTION

MAIN FEATURES

- Models with BrightShield™ antimicrobial lighting create a more hygienic environment for foods and beverages
- 5.3 cu ft. capacity stores up to 162 cans (12-oz) and/or 7 bottles of wine
- 3-in-1 Split Convertible Shelf with removable glass pane converts to wine rack to store a combination of food, beverages or wine
- Half-width shelf allows for tall item storage
- MaxStore bin stores loose items
- Cantilevered shelving system can hold up to 35 lbs and features 11 adjustable heights
- Dynamic cooling technology delivers rapid cool down, frost-free operation, and temperature stability
- Argon-filled, UV-resistant tinted dual pane glass door options protect contents
- Digital controls allow you to select a temperature from 34°F to 60°F
- Door ajar and high/low temperature alerts
- Adjustable LED theater style lighting in arctic white (non-Brightshield models)
- Elegant midnight black interior
- Solid black shelf fronts
- Reversible soft-close door allows for right or left swing
- Panel ready model requires 3/4" or 5/8" custom panel and handle (not supplied by Marvel)

WARRANTY

- 1-year parts and labor warranty and 5-year sealed system parts warranty (see complete warranty for details)

FINISH OPTIONS



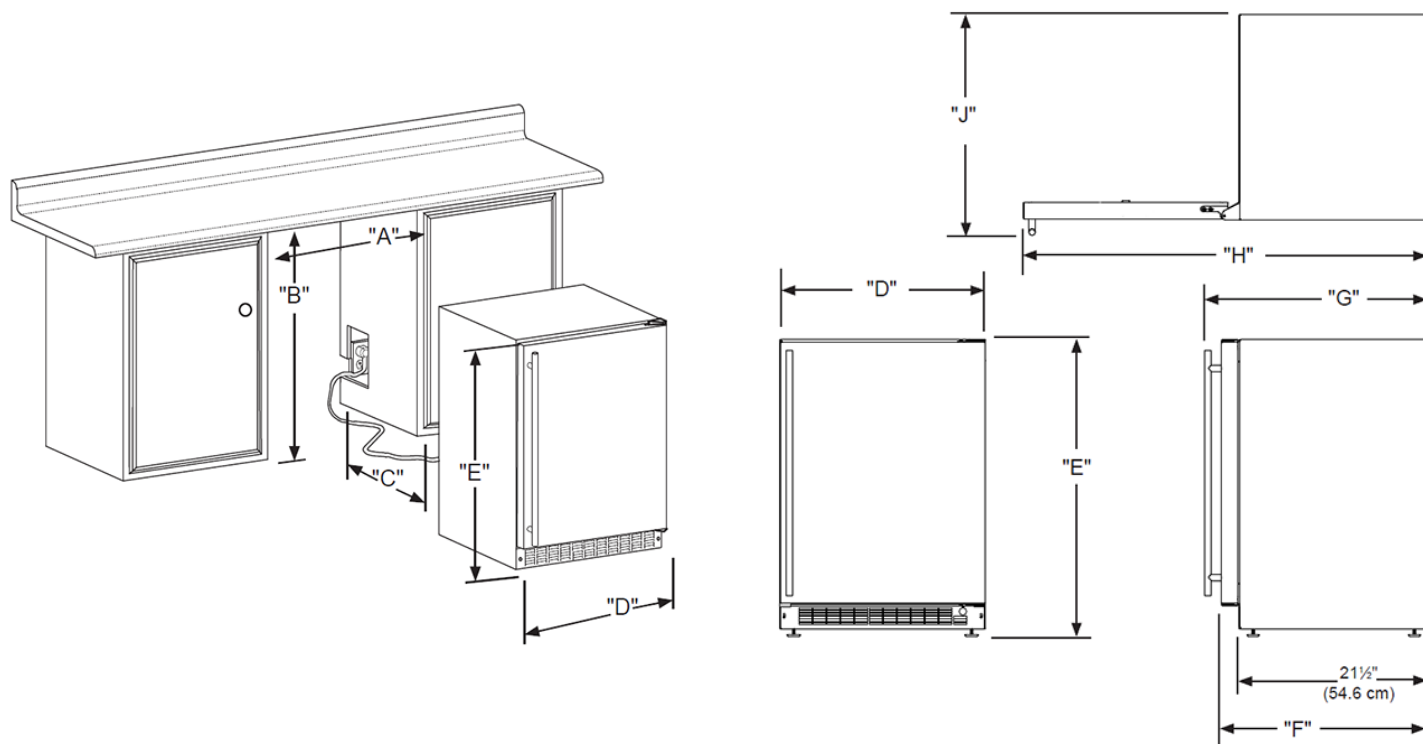
DOOR STYLE	MODEL NUMBER
Stainless Steel Frame Glass	MLRE224-SG01A
Panel Ready Frame Glass	MLRE224-IG01A
Solid Stainless Steel	MLRE224-SS01A
Solid Panel Ready	MLRE224-IS01A
Black Frame Glass	MLRE224-BG01A

BRIGHTSHIELD™ MODELS	MODEL NUMBER
Stainless Steel Frame Glass	MLRE224-SG81A
Panel Ready Frame Glass	MLRE224-IG81A
Solid Stainless Steel	MLRE224-SS81A
Solid Panel Ready	MLRE224-IS81A
Black Frame Glass	MLRE224-BG81A





DIMENSIONAL DRAWINGS



ROUGH IN DIMENSIONS*

"A"	"B"	"C"
24"	34" to 35"	24"
(61 cm)	(86.4 to 88.9 cm)	(61 cm)

CABINET DIMENSIONS*

"D"	"E"	"F"	"G"	"H"	"J"
23-7/8"	33-3/4" to 34-3/4"	23-5/8"*	25-1/2*	46-3/8"*	25-3/4"*
(60.7 cm)	(85.7 cm to 88.3 cm)	(60 cm)	(64.8 cm)	(117.8 cm)	(65.4 cm)

*Stainless steel model dimensions only. For panel-ready models, see the owner's guide online at marvelrefrigeration.com.

PRODUCT SPECIFICATIONS

Capacity	5.3 cu. ft.
Cord Length	6 ft.
Electrical Requirements	115V / 60 Hz / 15A
ENERGY STAR	Yes
Panel Height	29-21/32" (75.3 cm)
Panel Thickness	5/8" (1.6 cm) or 3/4" (1.9 cm)
Panel Type	2-3/4" (7 cm) Frame Panel or Solid Panel
Panel Width	23-5/8" (60 cm)
Refrigerant Type	R600a

Sabbath Mode	Yes
Shipping Dimensions	28" W x 31" D x 37" H
Shipping Weight	160 lbs
Temperature Range	34°F to 60°F

For comprehensive installation instructions, including panel overlay details, please visit marvelrefrigeration.com to access the owner's guide. All specifications are subject to change without notice.

