

MLWC124

24" WINE REFRIGERATOR

MARVEL CLASSIC COLLECTION



MAIN FEATURES

- 5.3 cu ft capacity stores up to 54 bottles of wine
- Six 8-bottle glide-out wine racks and one 6-bottle fixed wine cradle
- Accommodates a variety of bottle sizes
- Vibration neutralization system protects wine from agitation
- Dynamic cooling technology delivers rapid cool down, frost-free operation, and temperature stability
- Argon-filled, UV-resistant tinted dual pane glass door options protect contents
- Digital controls allow you to select a temperature from 34°F to 60°F
- Door ajar and high/low temperature alerts
- Arctic white LED theater-style lighting
- Elegant midnight black interior
- Maple shelf fronts, stainable to match cabinetry
- Reversible door allows for right or left swing

WARRANTY

- 1-year parts and labor warranty and 5-year sealed system parts warranty (see complete warranty for details)

FINISH OPTIONS



DOOR STYLE

Stainless Steel Frame Glass

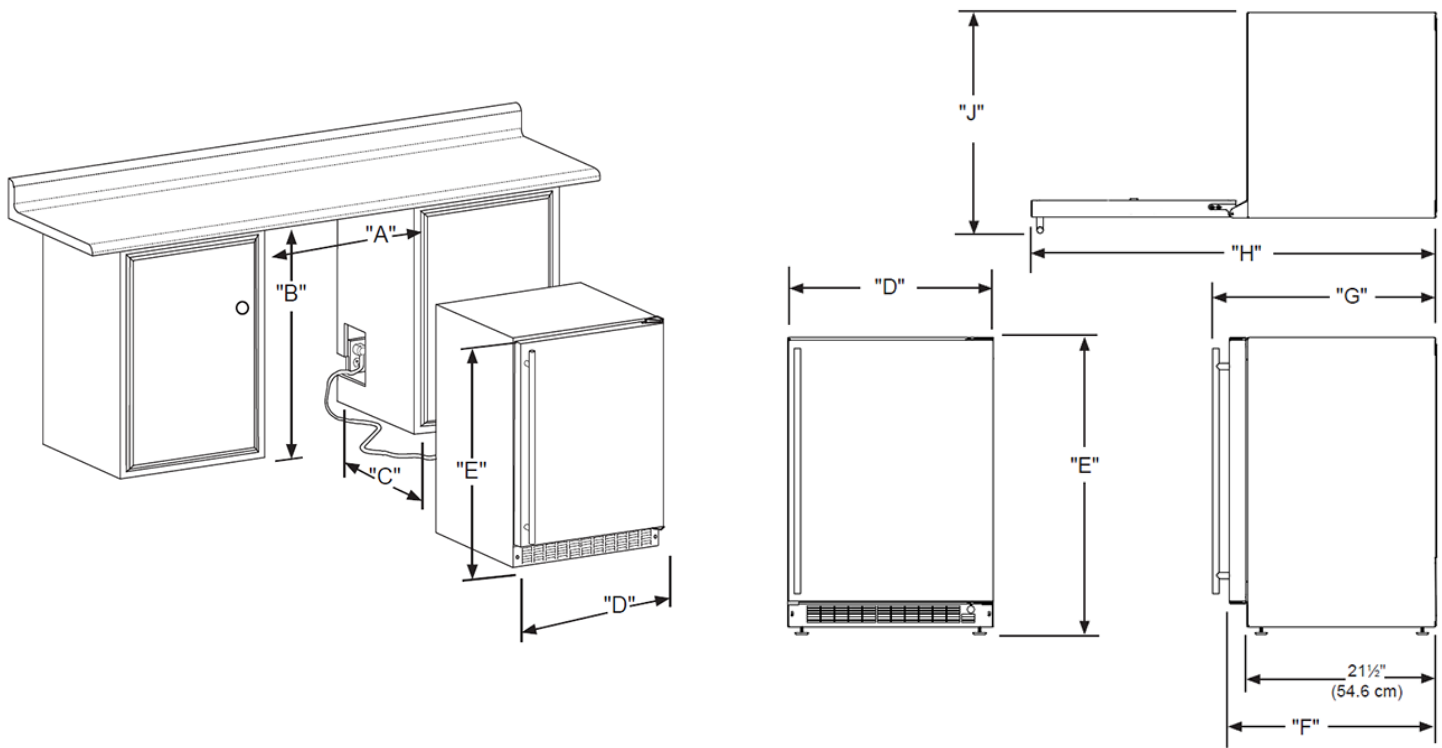
MODEL NUMBER

MLWC124-SG01A





DIMENSIONAL DRAWINGS



ROUGH IN DIMENSIONS*

"A"	"B"	"C"
24"	34" to 35"	24"
(61 cm)	(86.4 to 88.9 cm)	(61 cm)

CABINET DIMENSIONS*

"D"	"E"	"F"	"G"	"H"	"J"
23-7/8"	33-3/4" to 34-3/4"	23-5/8"*	25-1/2*	46-3/8"*	25-3/4"*
(60.7 cm)	(85.7 cm to 88.3 cm)	(60 cm)	(64.8 cm)	(117.8 cm)	(65.4 cm)

PRODUCT SPECIFICATIONS

Capacity	5.3 cu. ft.
Cord Length	6 ft.
Electrical Requirements	115V / 60 Hz / 15A
ENERGY STAR	No
Refrigerant Type	R600a
Sabbath Mode	Yes
Shipping Dimensions	28" W x 31" D x 37" H
Shipping Weight	160 lbs
Temperature Range	34°F to 60°F

For comprehensive installation instructions, please visit marvelrefrigeration.com to access the owner's guide. All specifications are subject to change without notice.

