

# MOCR215

## 15" CRESCENT ICE MAKER



### MARVEL OUTDOOR COLLECTION

#### MAIN FEATURES

- Produces and stores up to 25 lbs of crescent ice per day
- Removable ice bin
- No pump or drain required
- Crescent ice dimensions: 1/2 W x 3/4 H x 2-1/4 L
- On / Off switch at the front of the unit
- Arctic white interior
- Reversible door allows for right or left swing
- Designed for outdoor use

#### WARRANTY

- 1-year parts and labor warranty and 5-year sealed system parts warranty (see complete warranty for details)

#### FINISH OPTIONS

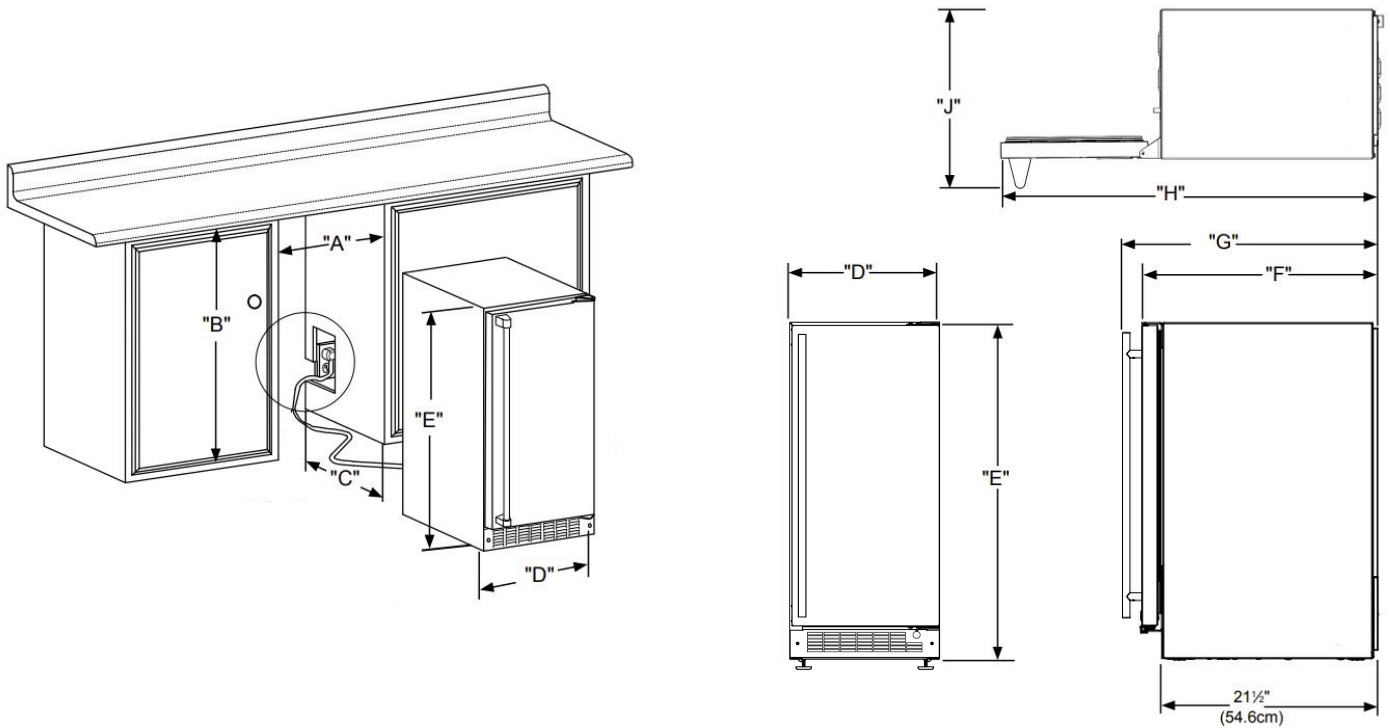


DOOR STYLE	MODEL NUMBER
Solid Stainless Steel	MOCR215-SS01B





**DIMENSIONAL DRAWINGS**



**ROUGH IN DIMENSIONS\***

"A"	"B"	"C"
15-1/4"	34-1/4" to 35-1/4"	24"
(38.7 cm)	(87 cm to 89.5 cm)	(61 cm)

**CABINET DIMENSIONS\***

"D"	"E"	"F"	"G"	"H"	"J"
14-7/8"	34-1/8" to 35-1/8"	22-1/4"*	24-1/8"*	36-3/16*	17-1/2"*
(37.8 cm)	(86.7 cm to 89.2 cm)	(56.5 cm)	(61.3 cm)	(91.9 cm)	(44.4 cm)

\*Stainless steel model dimensions only. For panel-ready models, see the owner's guide online at [marvelrefrigeration.com](http://marvelrefrigeration.com).

**PRODUCT SPECIFICATIONS**

<b>Capacity</b>	25 lbs
<b>Cord Length</b>	6 ft.
<b>Electrical Requirements</b>	115V / 60 Hz / 15A
<b>ENERGY STAR</b>	No
<b>Refrigerant Type</b>	R600a
<b>Sabbath Mode</b>	No
<b>Shipping Dimensions</b>	19" W x 31" D x 37" H
<b>Shipping Weight</b>	25 lbs

