

# MODR224

## 24" REFRIGERATED DRAWERS



### MARVEL OUTDOOR COLLECTION

#### MAIN FEATURES

- 5.0 cu ft. capacity stores up to 108 cans (12-oz)
- Adjustable divider organizes contents
- Dynamic cooling technology delivers rapid cool down, frost-free operation, and temperature stability
- Digital controls allow you to select a temperature from 34°F to 60°F
- Door ajar and high/low temperature alerts
- Arctic white LED theater-style lighting
- Stainless steel interior
- Door lock provides added security
- Designed for outdoor use

#### WARRANTY

- 1-year parts and labor warranty and 5-year sealed system parts warranty (see complete warranty for details)

#### FINISH OPTIONS

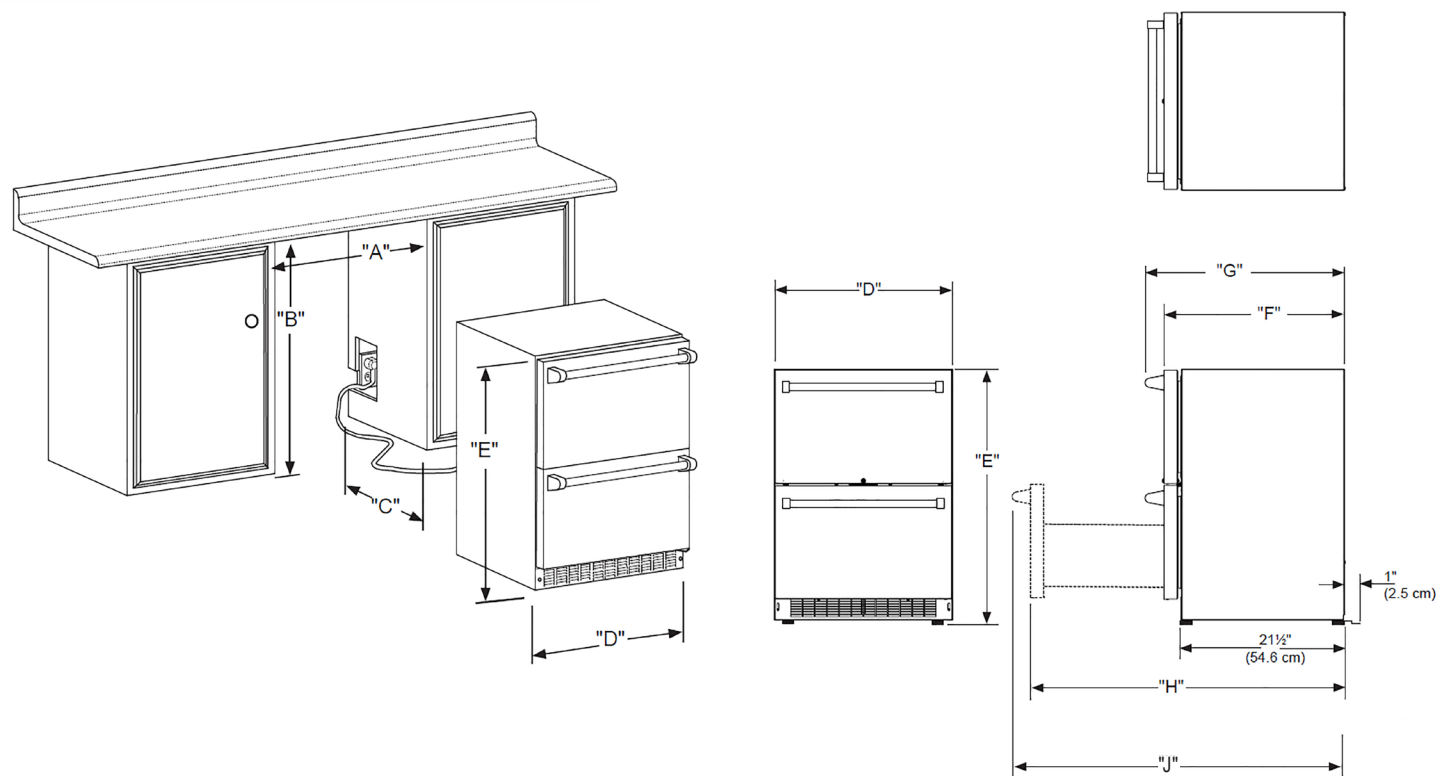


DOOR STYLE	MODEL NUMBER
Solid Stainless Steel	MODR224-SS71A





## DIMENSIONAL DRAWINGS



### ROUGH IN DIMENSIONS\*

"A"	"B"	"C"
24"	34" to 35"	24"
(61 cm)	(86.4 cm to 88.9 cm)	(61 cm)

### CABINET DIMENSIONS\*

"D"	"E"	"F"	"G"	"H"	"J"
23-7/8"	33-3/4" to 34-3/4"	23-3/4"	26-1/4"	47-3/4"	44-1/4"
(60.6 cm)	(85.4 cm to 88 cm)	(60.3 cm)	(66.7 cm)	(146.6 cm)	(104.8 cm)

## PRODUCT SPECIFICATIONS

<b>Capacity</b>	5.0 cu. ft.
<b>Cord Length</b>	6 ft.
<b>Electrical Requirements</b>	115V / 60 Hz / 15A
<b>ENERGY STAR</b>	Yes
<b>Refrigerant Type</b>	R600a
<b>Sabbath Mode</b>	Yes
<b>Shipping Dimensions</b>	28" W x 31" D x 37" H
<b>Shipping Weight</b>	160 lbs
<b>Temperature Range</b>	34°F to 60°F

For comprehensive installation instructions, please visit [marvelrefrigeration.com](http://marvelrefrigeration.com) to access the owner's guide. All specifications are subject to change without notice.

