

MOFZ224

24" FREEZER

MARVEL OUTDOOR COLLECTION



MAIN FEATURES

- 4.9 cu ft. capacity
- Includes 2 chrome wire bins
- Also includes 1 cantilevered stainless steel shelf
- Dynamic cooling technology delivers rapid cool down and temperature stability
- Digital controls allow you to select a temperature from -10°F to 10°F
- Door ajar and high/low temperature alerts
- Arctic white LED theater-style lighting
- Arctic white interior
- Door lock provides added security
- Reversible door allows for right or left swing
- Designed for outdoor use

WARRANTY

- 1-year parts and labor warranty and 5-year sealed system parts warranty (see complete warranty for details)

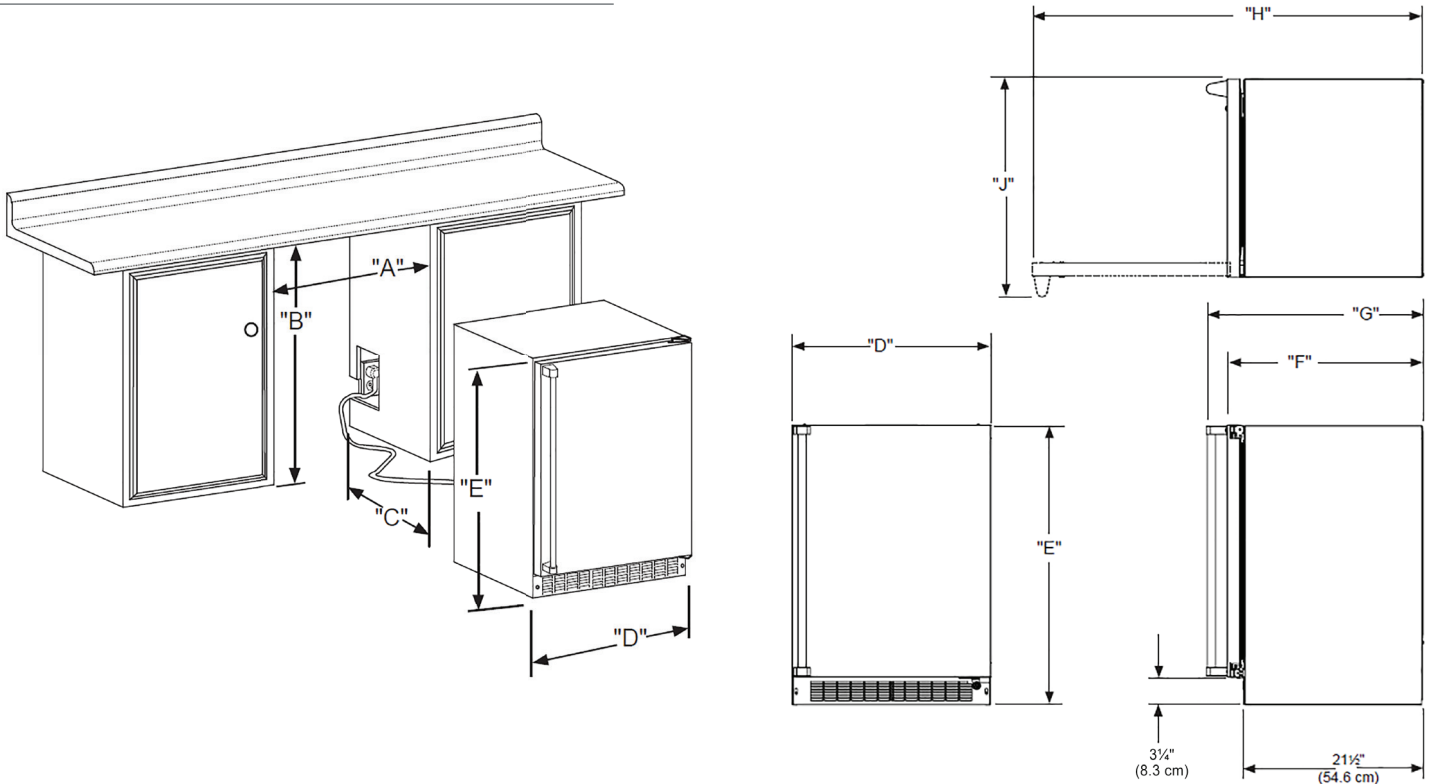
FINISH OPTIONS



DOOR STYLE	MODEL NUMBER
Solid Stainless Steel	MOFZ224-SS31A



DIMENSIONAL DRAWINGS



ROUGH IN DIMENSIONS*

"A"	"B"	"C"
24"	34" to 35"	24"
(61 cm)	(86.4 cm to 88.9 cm)	(61 cm)

CABINET DIMENSIONS*

"D"	"E"	"F"	"G"	"H"	"J"
23-7/8"	33-3/4" to 34-3/4"	23-3/4"	26-1/4"	46-3/8"	26-3/8"
(60.7 cm)	(84.5 cm to 87 cm)	(60.3 cm)	(66.2 cm)	(117.8 cm)	(67 cm)

PRODUCT SPECIFICATIONS

Capacity	4.9 CU. FT.
Cord Length	6 FT.
Electrical Requirements	115V / 60 Hz / 15A
ENERGY STAR	Yes
Refrigerant Type	R600a
Sabbath Mode	Yes
Shipping Dimensions	28" W x 31" D x 37" H
Shipping Weight	160 LBS
Temperature Range	-10°F to 10°F

For comprehensive installation instructions, including panel overlay details, please visit marvelrefrigeration.com to access the owner's guide. All specifications are subject to change without notice.

