

MPCP415

15" CLEAR ICE MACHINE



BrightShield protects against viruses, bacteria, mold and mildew.



MARVEL PROFESSIONAL COLLECTION

MAIN FEATURES

- Models with BrightShield™ antimicrobial lighting create a more hygienic environment for ice
- Produces 3/4" clear ice cubes
- Produces up to 39 pounds of clear ice per day
- Stores up to 28 pounds of clear ice
- Ice scoop included with dedicated holder
- Factory-installed drain pump included
- Door ajar and cleaning alerts
- Temporarily suspend ice making for 3 hours with silent mode
- Adjustable LED theater-style lighting in arctic white or sapphire blue (non-BrightShield models)
- Elegant midnight black interior
- Professional styling: Robust full-length handle and stainless steel accents
- Concealed soft close articulating door hinge
- Reversible door allows for right or left swing
- Panel ready model requires 3/4" or 5/8" custom panel and handle (not supplied by Marvel)

WARRANTY

- 3-year parts and labor warranty with product registration and 5-year sealed system parts warranty (see complete warranty for details)

FINISH OPTIONS



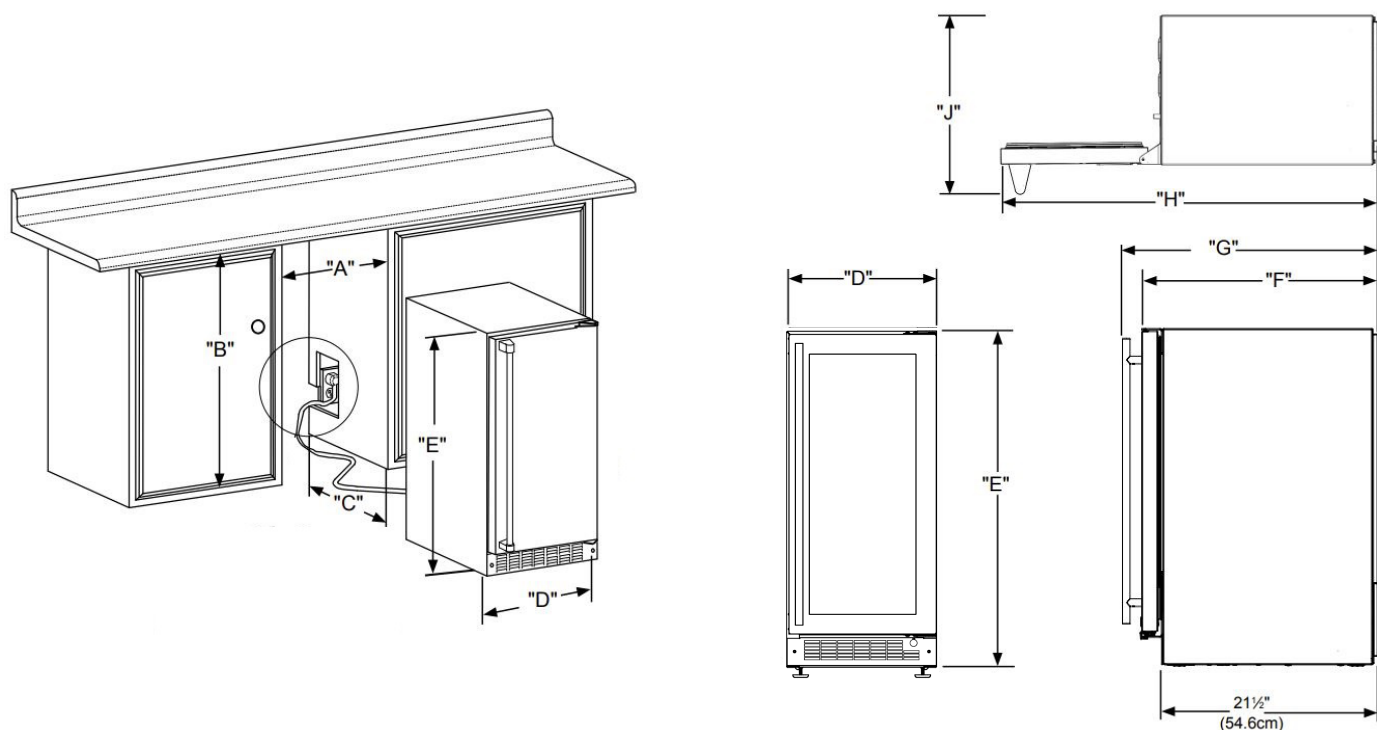
DOOR STYLE	MODEL NUMBER
Stainless Steel Frame Glass	MPCP415-SG01A
Solid Stainless Steel	MPCP415-SS01A
Solid Panel Ready	MPCP415-IS01A

BRIGHTSHIELD™ MODELS	MODEL NUMBER
Stainless Steel Frame Glass	MPCP415-SG81A
Solid Stainless Steel	MPCP415-SS81A
Solid Panel Ready	MPCP415-IS81A





DIMENSIONAL DRAWINGS



ROUGH IN DIMENSIONS*

"A"	"B"	"C"
15"	34" to 35"	24"
(38.1 cm)	(86.4 cm to 88.9 cm)	(61 cm)

CABINET DIMENSIONS*

"D"	"E"	"F"	"G"	"H"	"J"
14-7/8"	33-3/4" to 34-3/4"	23-5/8"*	26-3/8"*	38-7/8"*	17-1/2"*
(37.8 cm)	(85.7 cm to 88.3 cm)	(60 cm)	(67 cm)	(98.7 cm)	(44.5 cm)

*Stainless steel model dimensions only. For panel-ready models, see the owner's guide online at marvelrefrigeration.com.

PRODUCT SPECIFICATIONS

Capacity	28 lbs
Cord Length	6 ft.
Electrical Requirements	115V / 60 Hz / 15A
ENERGY STAR	Yes
Panel Height	30-7/16" (77.3 cm)
Panel Thickness	5/8" (1.6 cm) or 3/4" (1.9 cm)
Panel Type	2-3/4" (7 cm) Solid Panel
Panel Width	14-3/4" (37.5 cm)
Refrigerant Type	R600a

Sabbath Mode	Yes
Shipping Dimensions	19" W x 31" D x 37" H
Shipping Weight	125 lbs

For comprehensive installation instructions, including panel overlay details, please visit marvelrefrigeration.com to access the owner's guide. All specifications are subject to change without notice.

