

MRNP215

15" NUGGET ICE MACHINE

MARVEL CLASSIC COLLECTION



MAIN FEATURES

- Makes 1/2" L x 3/8" H x 5/8" W ice bits
- Produces up to 65 pounds of nugget ice per day
- Stores up to 27 pounds of nugget ice
- Ice scoop included with dedicated holder
- Factory-installed drain pump included
- Digital controls
- Simple 20 minute clean cycle
- Indicator lights show when drain is activated and if water issues are detected
- Arctic white LED lighting
- Arctic white interior
- Concealed soft close articulating door hinge
- Reversible door allows for right or left swing
- Panel ready model requires 3/4" or 5/8" custom panel and handle (not supplied by Marvel) or stainless panel accessory

WARRANTY

- Bonus Warranty through 2025 - 2 years (parts & labor) / 5 year (sealed system). See complete warranty for details.

FINISH OPTIONS

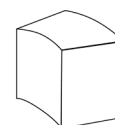


DOOR STYLE	MODEL NUMBER
Solid Stainless Steel	MRNP215-SS01A
Solid Panel Ready	MRNP215-IS01A

ACCESSORY	PART NUMBER
Ice Machine Cleaner (Single 4 oz. Bottle)	S41013789
Pro-Style Stainless Steel Panel	90-17047-ACCY



Pro-Style Stainless Steel Panel

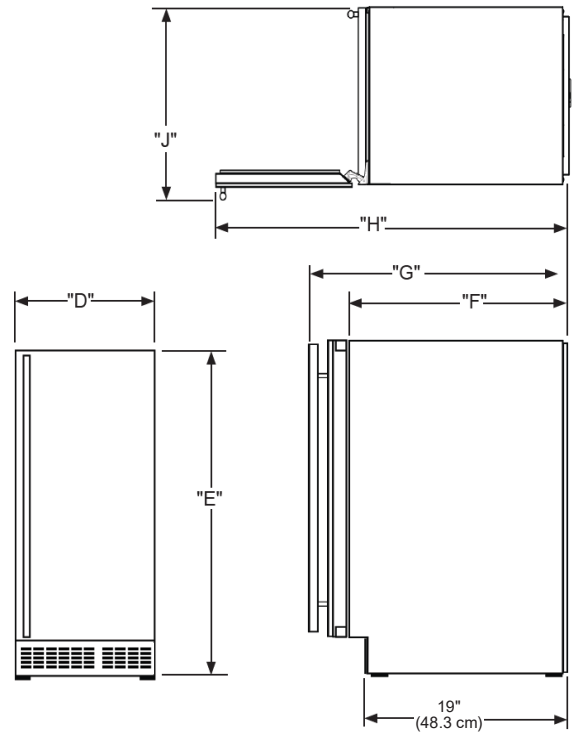
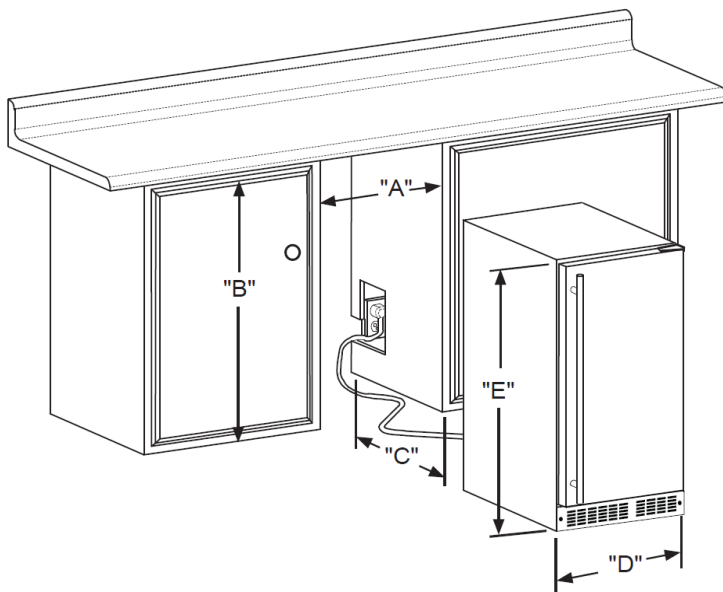


Nugget Ice Cube





DIMENSIONAL DRAWINGS



ROUGH IN DIMENSIONS*

"A"	"B"	"C"
15"	33-3/4" to 34-1/4"	24"
(38.1 cm)	(85.7 cm to 87 cm)	(61 cm)

CABINET DIMENSIONS*

"D"	"E"	"F"	"G"	"H"	"J"
14-7/8"	33-9/16" to 34-1/16"	23"*	25"*	37-3/8"*	17"*
(37.8 cm)	(85.2 cm to 86.5 cm)	(58 cm)	(63.5 cm)	(94.9 cm)	(43.2 cm)

*Stainless steel model dimensions only. For panel-ready models, see the owner's guide online at marvelrefrigeration.com.

PRODUCT SPECIFICATIONS

Capacity	27 lbs
Cord Length	6 ft.
Electrical Requirements	115V / 60 Hz / 15A
ENERGY STAR	Yes
Panel Height	30-1/4" (76.8 cm)
Panel Thickness	5/8" (1.6 cm) or 3/4" (1.9 cm)
Panel Type	2-3/4" (7 cm) Solid Panel
Panel Width	14-3/4" (37.5 cm)
Refrigerant Type	R600a

Shipping Dimensions	19" W x 31" D x 37" H
Shipping Weight	104 lbs

For comprehensive installation instructions, including panel overlay details, please visit marvelrefrigeration.com to access the owner's guide. All specifications are subject to change without notice.

