

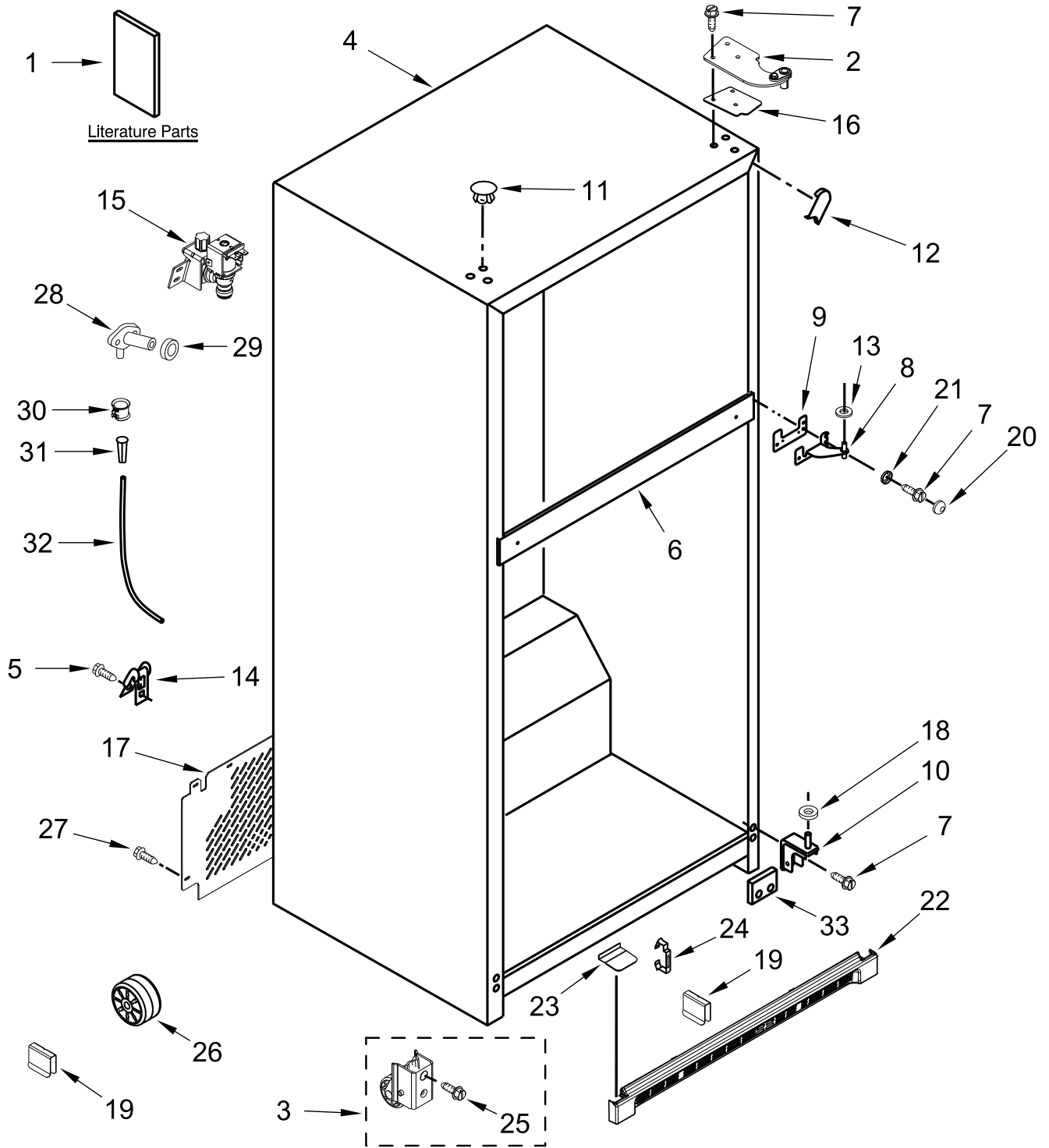


REFRIGERATOR

MODELS:

MRT711SMFZ02 (Stainless)

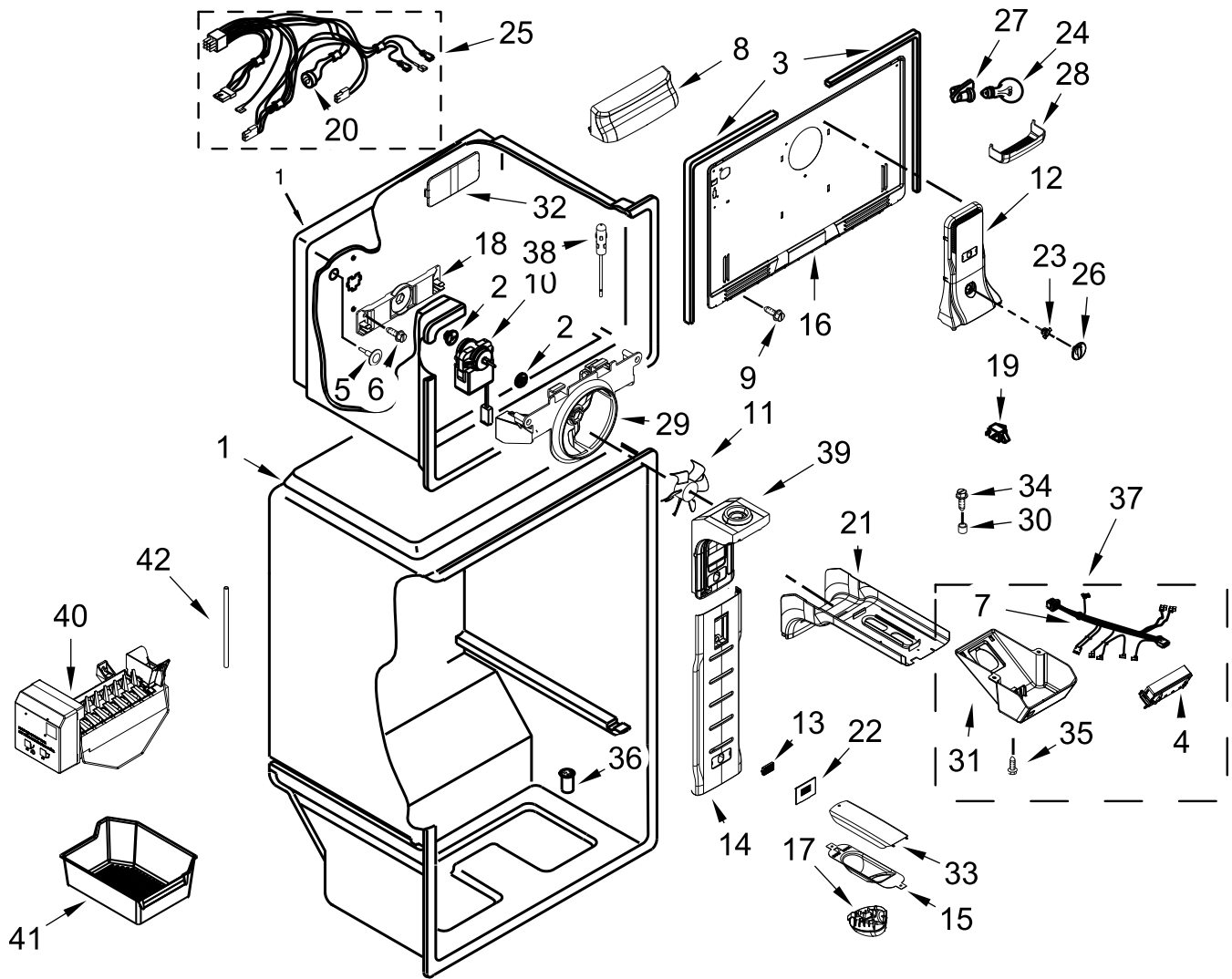
CABINET PARTS



CABINET PARTS

<u>Illus. No.</u>	<u>Part No.</u>	<u>Description</u>	<u>Illus. No.</u>	<u>Part No.</u>	<u>Description</u>	<u>Illus. No.</u>	<u>Part No.</u>	<u>Description</u>
1		Literature Parts	9	2183852	Shim, Hinge Center	21	W10674773	Cap, Washer Dome
	W11511784	Tech Sheet	10	2254473	Hinge, Bottom	22		Grille
	W11507956	Use and Care Guide	11		Plug, Hole		W10592144	Grey
	W11337343	Energy Guide		W10520307	Grey	23		Cover, Toe Grille
	2225623	Icemaker Service Sheet	12		Filler, Wrapper		W10468611	Grey
2	W10300065	Assembly, Top Right Hinge	13	489341	Washer, Plastic	24	2254385	Clip, Grille
3	W10725960	Assembly, Roller	14	W11242280	Clamp, Power Cord	25	W10142287	Screw
4		Cabinet (Not Serviced)	15	W10498995	Valve, Inlet	26	W10475495	Roller
5	489442	Screw	16	W10883637	Shim, Top Hinge	27	2262176	Screw
6		Rail, Center (Not Serviced)	17	W11307290	Cover, Unit	28	W11249272	Fitting, Water Tube
7	489497	Screw	18	487576	Washer, Plastic	29	1106508	Gasket, Seal
8	2254618	Hinge, Center	19	2174706	Clip, Roller	30	W10329003	Clamp, Tube
			20		Cap, Dome	31	2181939	Insert, Tube
				W10679139	Grey	32	2181944	Tube, Water
						33	2201567	Shim, Hinge (Bottom)

LINER PARTS

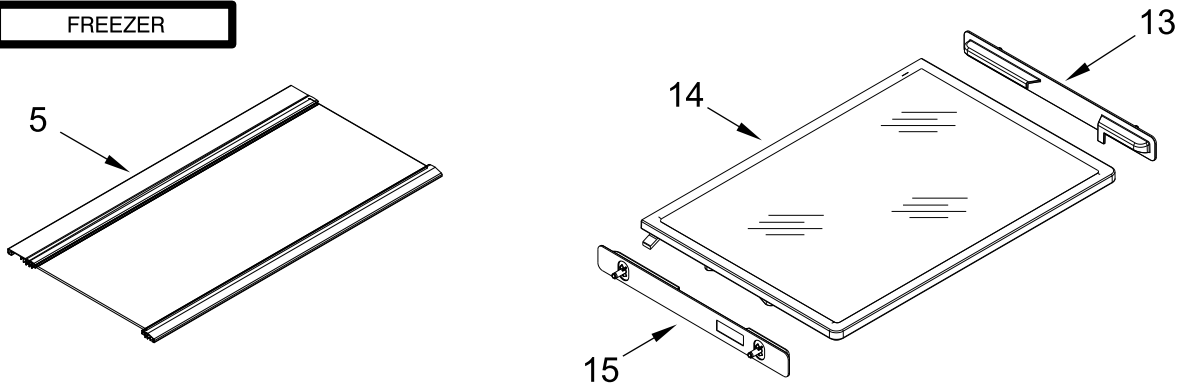


LINER PARTS

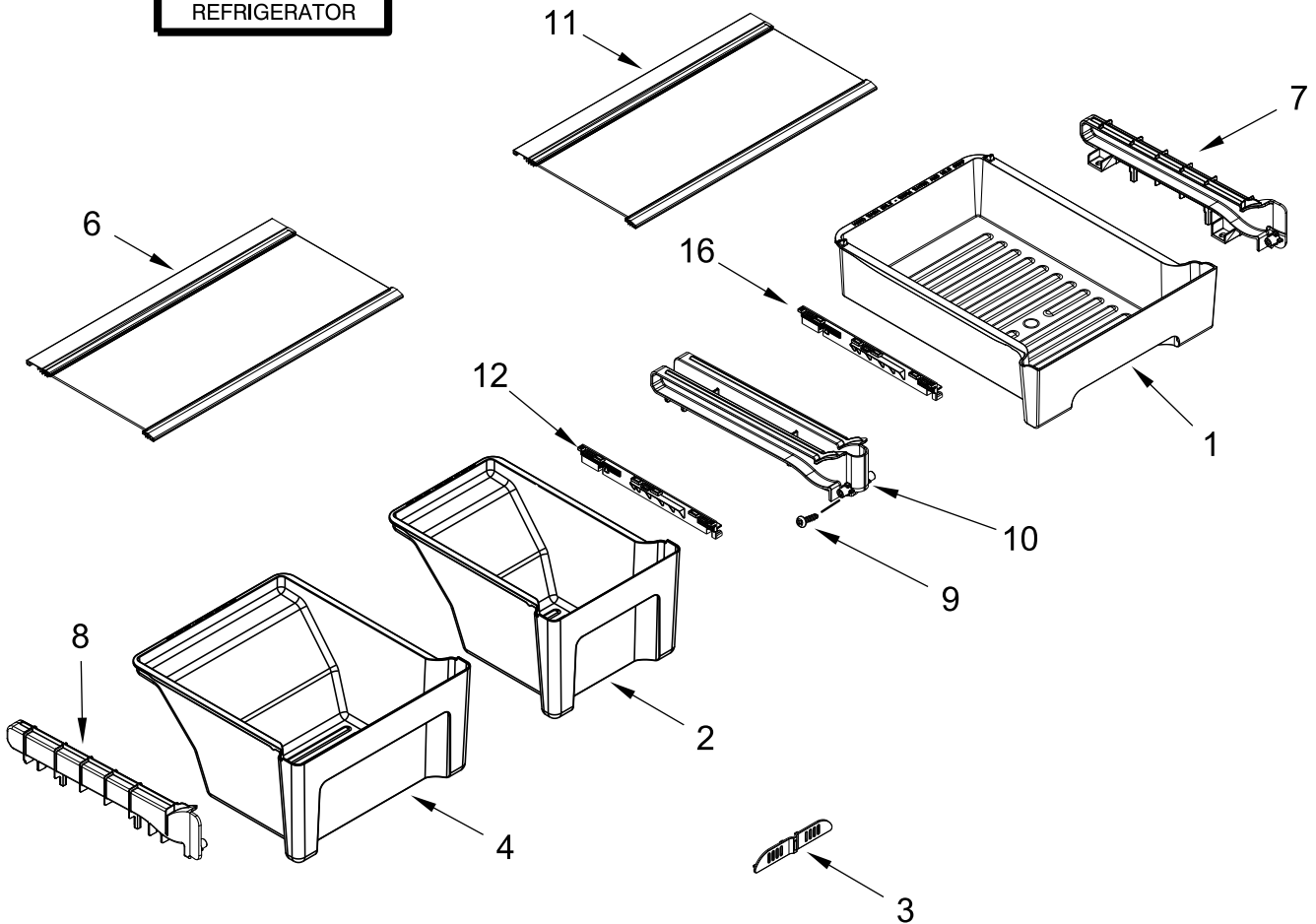
<u>Illus.</u> <u>No.</u>	<u>Part No.</u>	<u>Description</u>	<u>Illus.</u> <u>No.</u>	<u>Part No.</u>	<u>Description</u>	<u>Illus.</u> <u>No.</u>	<u>Part No.</u>	<u>Description</u>
1		Liner (Not Serviced)	16	W10617507	Cover, Evaporator	33	W10348614	Cover, Light
2	2197380	Grommet	17	W11429584	Module, LED	34	W10141596	Screw
3	2254360	Gasket, Evaporator Cover	18	2254454	Bracket, Evaporator Fan Rear	35	489174	Screw
4	W11476563	Control, Adaptive Defrost	19	W10847853	Switch, Light	36	2210509	Valve, Release
5		Hole Plug	20	W10392132	Bi-Metal, Defrost	37	W11476574	Box, Control (Includes Overlay)
	941839	White	21	W10305175	Cover, Air Diffuser	38	W10384183	Thermistor
6	488208	Screw	22	W10330850	Grille, Air Filter Bottom	39	W10885143	Multiflow Assembly
7	W11203362	Assembly, Control Box Wire	23	W10662269	Baffle, Air Manual	40	W11321603	Assembly, Icemaker (Complete)
8	W10313917	Housing, Freezer Lighting	24	W11160686	Lamp, LED	41	W10898951	Pan, Ice Cube
9	W10142283	Screw (White)	25	W11314510	Assembly, Freezer Wire	42	2003812	Tube, Water Inlet
10	2315539	Motor, Evaporator Fan	26	W10570952	Knob, Air Control			
11	2200509	Blade, Fan	27	W10440814	Socket, Light			
12	W10707377	Air Tower, FC	28	W10313918	Lens, Light			
13	W10315189	Filter, Air	29	W10321162	Bracket, Fan Motor			
14	W10705785	Cover, Air Filter	30	W10418502	Spacer			
15	W10300161	Shield, Light	31	W10841668	Box, Control			
			32	W10336009	Cup, Screw			

SHELF PARTS

FREEZER



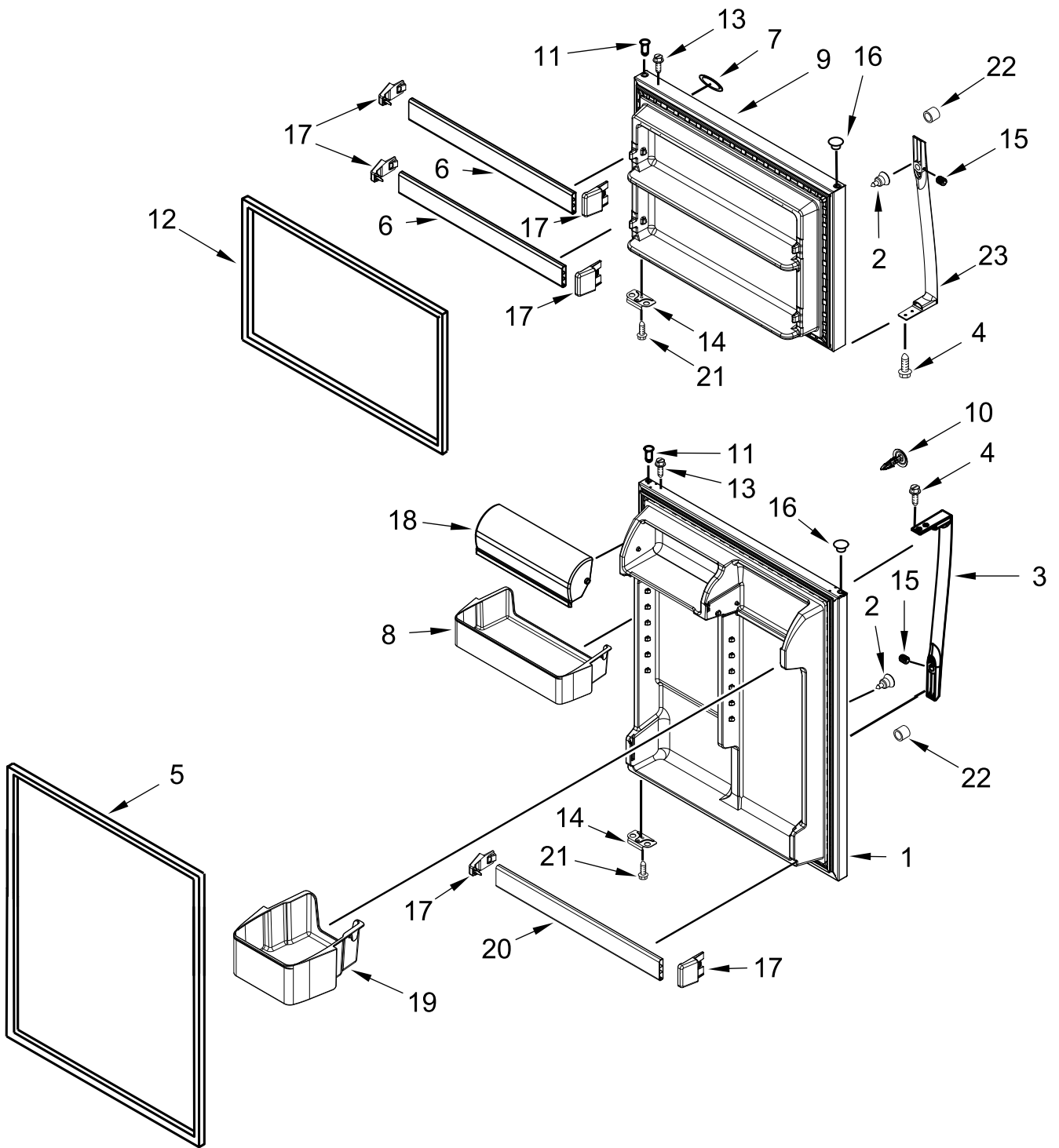
REFRIGERATOR



SHELF PARTS

<u>Illus.</u> <u>No.</u>	<u>Part No.</u>	<u>Description</u>	<u>Illus.</u> <u>No.</u>	<u>Part No.</u>	<u>Description</u>	<u>Illus.</u> <u>No.</u>	<u>Part No.</u>	<u>Description</u>
1	W10308849	Pan, Meat	7	W10694151	Track Rail, Right Hand	13	W11395921	Support, Freezer Shelf (Right Side)
2	W10662133	Pan, Crisper	8	W10694149	Track Rail, Left Hand	14	W10601431	Shelf, Freezer Glass
3	W10356844	Control, Humidity	9	3400065	Screw (Stainless)	15	W11395919	Support, Freezer Shelf (Left Side)
4	W10663427	Pan, Crisper 16"	10	W10694150	Rail, Center Track	16	W10468556	Rail, Track (Right Hand)
5	W11167837	Assembly, Shelf Crisper	11	W10579374	Assembly, Shelf			
6	W11167836	Assembly, Shelf RC	12	W10468555	Rail, Track (Left Hand)			

DOOR PARTS



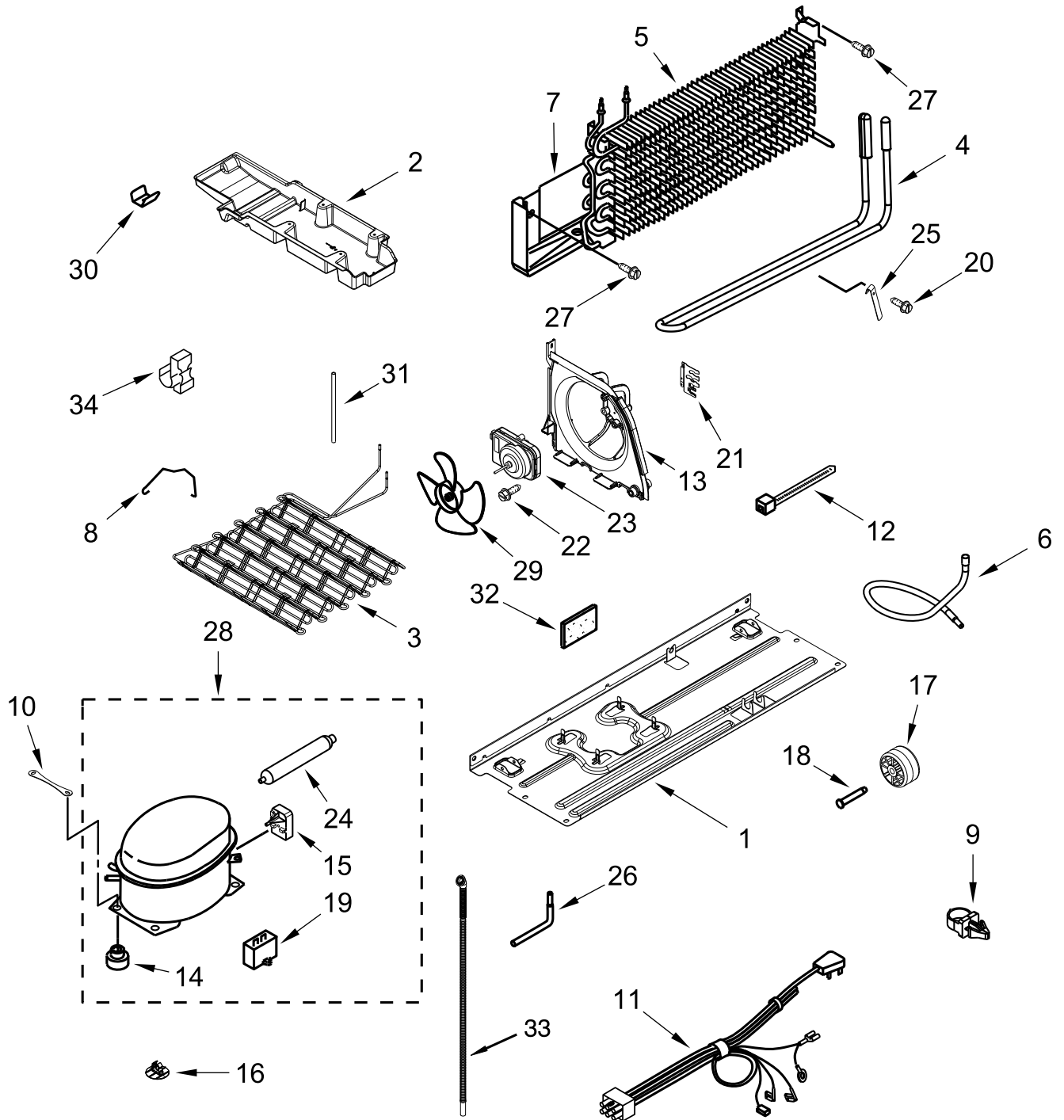
DOOR PARTS

<u>Illus. No.</u>	<u>Part No.</u>	<u>Description</u>
1		Refrigerator Door (Includes Door Gasket)
	W10856289	Stainless
2	489357	Screw
3		Handle, Door (Includes Illus. 15)
	W10840009	Neptune Frost
4	W10170540	Screw
5		Gasket, Door
	W11406600	Grey
6	W10592150	Trim, Door
7	W10612925	Badge

<u>Illus. No.</u>	<u>Part No.</u>	<u>Description</u>
8	W10308868	Bin, Large Door
9		Freezer Door (Includes Door Gasket)
	W10856291	Stainless
10		Plug, Hole
	W10663739	Grey
11		Thimble, Top
	W10334042	Black
12		Gasket, Door
	W11406598	Grey
13	8281206	Screw
14	2189202	Bracket, Door Stop

<u>Illus. No.</u>	<u>Part No.</u>	<u>Description</u>
15	690046	Screw, Set
16		Plug, Hinge Sleeve
	2254517	Grey
17	W10592153	Cap, Trim End
18	W10601425	Compartment, Door
19	W10308869	Bin, Medium
20	W10592148	Trim, Door
21	489276	Screw
22	W10511911	Bushing, Handle
23	W10840010	Neptune Frost

UNIT PARTS



UNIT PARTS

<u>Illus.</u> <u>No.</u>	<u>Part No.</u>	<u>Description</u>	<u>Illus.</u> <u>No.</u>	<u>Part No.</u>	<u>Description</u>	<u>Illus.</u> <u>No.</u>	<u>Part No.</u>	<u>Description</u>
1	W11396825	Baseplate	11	W11425741	Assembly, Unit Wire	25	W11399989	Heat Probe
2	W10802027	Tray, Drain	12	2263990	Tie, Wire	26	2174739	Tube, Process
3	W10609393	Condenser (Also Order the Following Lokring Parts)	13	W11509373	Bracket, Condenser Fan	27	489442	Screw
	W11578570	7/4.5 NR MS 00 (High Side to Condenser)	14	W10806346	Grommet, Compressor	28	W11332033	Compressor (Also Order the Following Lokring Parts)
	W11506624	4 NK MS 00 (Suction Line to Condenser)	15	W11359381	Device, Combination Start (Start Relay and Overload)		W11506619	8 NK MS 00 (Suction Tube to Compressor)
4	W11340898	Heater, Defrost	16	W10815861	Clip, Bottom Cover		W11578570	7/4.5 NR MS 00 (High Pressure Side to Compressor)
5	W11282685	Assembly, Evaporator (Also Order the Following Lokring Parts)	17	W10475495	Roller		W11506619	8 NK MS 00 (Process Tube to Compressor)
	W11504450	4/1.8 NR MS 00 (Capillary Tube to Evaporator)	18	2179826	Axle, Rivet	29	W10817071	Blade, Fan
	W11506619	8 NK MS 00 (Suction Line to Evaporator)	19	W10590083	Capacitor	30	W10248621	Clip, Condenser
6	W11518248	Tube, Suction	20	489478	Screw	31	W10519112	Valve, Drain
7	W11377819	Heat Shield	21	W11340313	Bracket, Evaporator	32	2215468	Insulation, Sound
8	W11495051	Strap, Bale	22	8533961	Screw	33	W11577795	Tube, Drain
9	2219077	Clip, Harness	23	W10909387	Motor, Condenser Fan	34	2326941	Clip, Wire REFRIGERANT CHARGE
10	W10236396	Strap, Compressor	24	W10805035	Drier (Service Drier Without Dye) (Also Order the Following Lokring Parts)			47 grams (R600A)
				W11504445	5/4 NR MS 00 (Heat Loop to Drier)			
				W11504447	5/1.8 NR MS 00 (Capillary Tube to Drier)			

OPTIONAL PARTS

<u>Illus. No.</u>	<u>Part No.</u>	<u>Description</u>	<u>Illus. No.</u>	<u>Part No.</u>	<u>Description</u>	<u>Illus. No.</u>	<u>Part No.</u>	<u>Description</u>
		FOLLOWING PARTS NOT ILLUSTRATED		503695	Cork, Sealer			Important: The spray paint is not to be used where the paint may make contact with the door gaskets.
				8003RP	Kit, Water Inlet			
978941		Insulation, Fiberglass (63 1/2" x 35 1/2" x 2 5/8")			PAINT, TOUCH-UP (1/2oz.)			
212643		Sealer, Gum (4 Feet)		72017	White	W10662124		Door Reversal Kit, White Model
479502		Tape, Vinyl (3/4 x 108")		72032	Black	W10676239		Door Reversal Kit, Black Model
876305		Insulation Kit (14 Pieces, 3" x 24" x 48")	W10134625		Apollo Grey	W10676240		Door Reversal Kit Stainless Model
876370		Insulation (2 Pieces, 3" x 24" x 48")			PAINT, PRESSURIZED SPRAY (12 oz.)			TORX SCREW WRENCH
876029		Kit, Foam Slab (30" x 32 1/2" x 1 1/2")		350942	White Primer	1117510		Torx Key
505587		Sealer, Mastic (1 Qt)		350939	Enamel, Black			
511873		White Porcelain (2 oz.)		350930	White			
542638		Grease, Silicone (1/2 Oz.)		4392901	Biscuit and Bisque			
542639		Cement, Alumilastic (1 1/4 Oz.)			Important: The spray paint is not to be used where the paint may make contact with the door gaskets.			
606755		Bag			PAINT, BULK (1 qt.)			
833938		Kit, Terminal Connector		799344	White (Uncut)			
				4392900	Biscuit/Bisque			