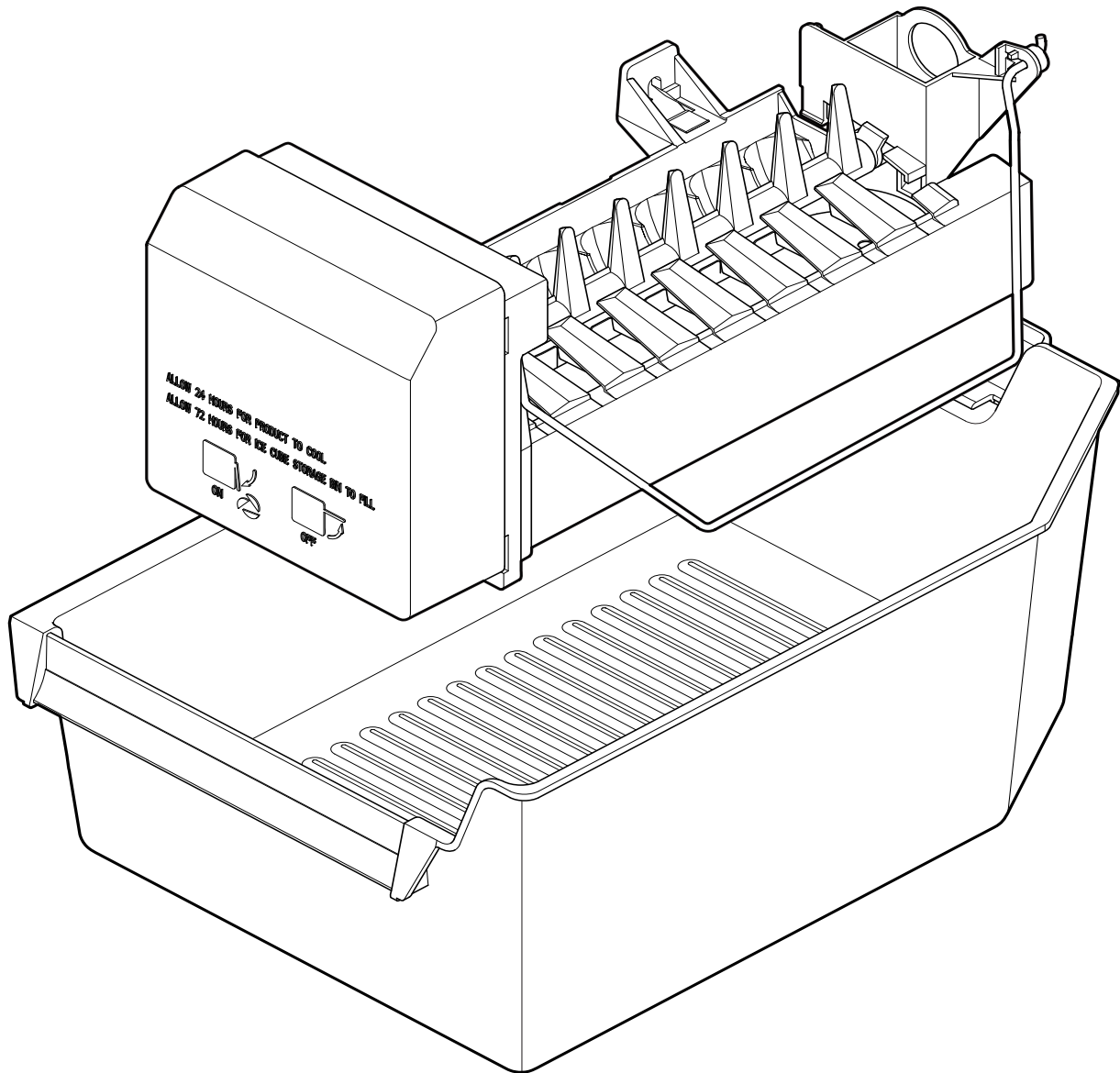


Installation

G U I D E



MODULAR ICE MAKER KIT
MACHINE À GLAÇONS MODULAIRE
JUEGO DE LA FABRICA DE HIELO MODULAR

Table of Contents

	Page		Page
Requesting Assistance or Service.....	2	Mounting the water valve.....	12
Important Information	3	Connecting the water valve tubing	13
Before you Begin.....	4	Mounting the ice maker	14
Tools	4	Connecting the Water Supply	16
Installation notes.....	4	Final Installation	18
Components	5	Installing the access cover and forming the copper tubing.....	18
Component illustrations	5	Connecting the power/ leveling the unit.....	19
Installing the Ice Maker	6	Starting the Ice Maker	20
Making preparations	6	Troubleshooting	21
Side-by-side models	7	Operational notes	21
Top/upright freezer models	9	Troubleshooting chart.....	21
Installing the tubing clips	11		

Table des matières

	Page		Page
Demande d'assistance ou de dépannage.....	2	Montage de l'électrovanne d'admission d'eau.....	31
Informations importantes	22	Raccordement du tube de l'électrovanne d'admission d'eau.....	32
Avant de commencer	23	Montage de la machine à glaçons.....	33
Outils	23	Raccordement à la conduite d'eau.....	35
Remarques concernant l'installation.....	23	Installation finale	37
Composants	24	Installation du couvercle de l'ouverture d'accès et formage du tube de cuivre malléable	37
Illustrations des composants	24	Rétablissement de l'alimentation électrique/réglage de l'aplomb de l'appareil.....	38
Installation de la machine à glaçons	25	Mise en marche de la machine à glaçons.....	39
Opérations préparatoires.....	25	Dépannage	40
Modèle à compartiments juxtaposés	26	Notes sur le fonctionnement de l'appareil	40
Modèles à congélateur en haut/vertical.....	28	Tableau de diagnostic/dépannage.....	40
Installation des agrafes de retenue du tube de cuivre malléable.....	30		

Tabla de contenidos

	Página		Página
Para solicitar ayuda o servicio técnico	2	Para montar la válvula de agua.....	49
Información importante	41	Conexión de la tubería de la válvula de agua	51
Antes de comenzar	42	Montaje de la fábrica de hielo.....	52
Herramientas.....	42	Conexión del suministro de agua	54
Notas sobre la instalación	42	Instalación final	56
Componentes	43	Cómo instalar la cubierta de acceso y dar forma a la tubería de cobre.....	56
Ilustraciones de los componentes	43	Conexión del suministro eléctrico/nivelación de la unidad.....	57
Instalación de la fábrica de hielo	44	Puesta en marcha de la fábrica de hielo.....	58
Pasos de preparación.....	44	Solución de problemas	59
Modelos de dos puertas	45	Notas sobre el funcionamiento	59
Modelos de congelador superior/vertical.....	47	Cuadro de solución de problemas.....	59
Instalación de los clips de la tubería.....	49		

Requesting Assistance or Service

If you need assistance contact your dealer, or call the Whirlpool Customer eXperience Center toll-free, **1-800-253-1301**, 24 hours a day.

Demande d'assistance ou de dépannage

Pour tout besoin d'assistance, contacter le revendeur ou téléphoner sans frais au Centre d'eXperience à la clientèle de Whirlpool au **1-800-253-1301** (accessible 24 heures sur 24).

Para solicitar ayuda o servicio técnico

Si necesita ayuda, comuníquese con el distribuidor o llame sin cargo al Centro para la eXperiencia del cliente de Whirlpool, al **1-800-253-1301**, las 24 horas del día.

Important Information

The following information is used throughout this installation Guide. Read it carefully so you are familiar with it.

Your safety and the safety of others are very important.

We have provided many important safety messages in this manual and on your appliance. Always read and obey all safety messages.



This is the safety alert symbol.

This symbol alerts you to potential hazards that can kill or hurt you and others.

All safety messages will follow the safety alert symbol and either the word "DANGER" or "WARNING."

These words mean:

⚠ DANGER

You can be killed or seriously injured if you don't immediately follow instructions.

⚠ WARNING

You can be killed or seriously injured if you don't follow instructions.

All safety messages will tell you what the potential hazard is, tell you how to reduce the chance of injury, and tell you what can happen if the instructions are not followed.

- This Installation Guide gives you complete instructions on how to install the Ice Maker Kit in your refrigerator-freezer and connect a water line to it. Please read the guide and follow the instructions exactly as described. Also, make sure that you observe all of the "safety" instructions.
- **IMPORTANT:** A qualified service technician must install the water line and ice maker.
- Before you start to install your Ice Maker Kit, you will have to purchase a copper tubing kit that contains a "Regular Valve and Clamp Assembly" (for refrigerators with an automatic ice maker, or self-filling trays). The kit contains all of the hardware necessary to connect your ice maker to the water supply. You can purchase one at most hardware or plumbing supply stores.

NOTE: Do not use piercing-type, or 3/16" shut-off valves. They reduce the flow of water to the ice maker, and are easily clogged. Do not use polyethylene tubing to connect the ice maker to the water line. Use only 1/4" (O.D.) copper tubing.

**CUSTOMER INSTALLATION IS NOT
WARRANTED BY THE REFRIGERATOR
OR ICE MAKER MANUFACTURER.**

Before You Begin

Tools

Gather required tools and parts before starting installation. Read and follow the instructions provided with any tools listed here.

1. Regular screwdriver
2. Phillips screwdriver
3. 7/16" and 1/2" open-end wrenches (or an adjustable wrench)
4. Pliers
5. 1/4" nut driver
6. Small hand level (optional)
7. Ruler

Installation notes

1. Follow the instructions thoroughly. Read through the entire step so that you understand it before you perform it.
2. The illustrations in this Installation Guide are meant to clarify the installation steps you need to perform. For each set of steps shown, refer to the diagram immediately beside or below the text for clarification. Some illustrations also contain "DETAILS." DETAILS are contained in bubbles alongside the larger illustration. A DETAIL shows a close-up illustration of a certain portion of a diagram or an illustration of a specific step you are to perform. DETAILS are labeled A, B, or C and are clearly referenced in each step.
3. When you are instructed to install a part, position the part as shown in the illustration.

Components

Remove the contents from the shipping carton and set them on a table where they can be easily identified and located. Check all of the components in the kit against the following list to help you become familiar with them. When you identify a component, place a check mark (✓) after it. The KEY numbers correspond to the "Component Illustrations."

IMPORTANT: When you remove the water valve and flexible tubing from the styrofoam packing insert, do not remove the tubing from the valve. It has been factory-installed and leak-tested. Do not disturb the compression nut that connects the tubing to the valve, or the valve may leak after you connect it to the water supply.

Do not discard any of the packing material until you account for all of the components.

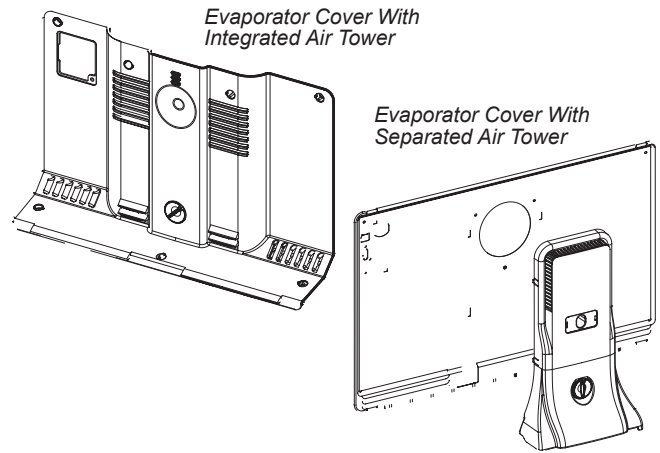
KEY	QTY	DESCRIPTION
1	1	Ice Maker
2	1	Ice bucket with extension
3	1	Water valve with tubing
4	1	Fill tube
5	1	Gasket */** only
6	1	71.6 mm (short) extension tube **
7	1	152.1 mm (long) extension tube *
8	2	Ice maker clips*
9	2	Tubing clips
10	1	Metal water tube insert
11	1	Water valve tubing clamp
12	5	1/2" hex-head sheet-metal screws
13	4	1/2" hex-head machine screws
14	2	3/4" hex-head sheet-metal screws
15	1	63.5 mm extension tube ***/****
16	1	85.7 mm extension tube
17	1	123 mm extension tube
18	1	Condenser grommet**
19	2	Jumper harness
20	1	Water valve bracket*
21	1	Strain relief

* For installation in Side-By-Side Models only.

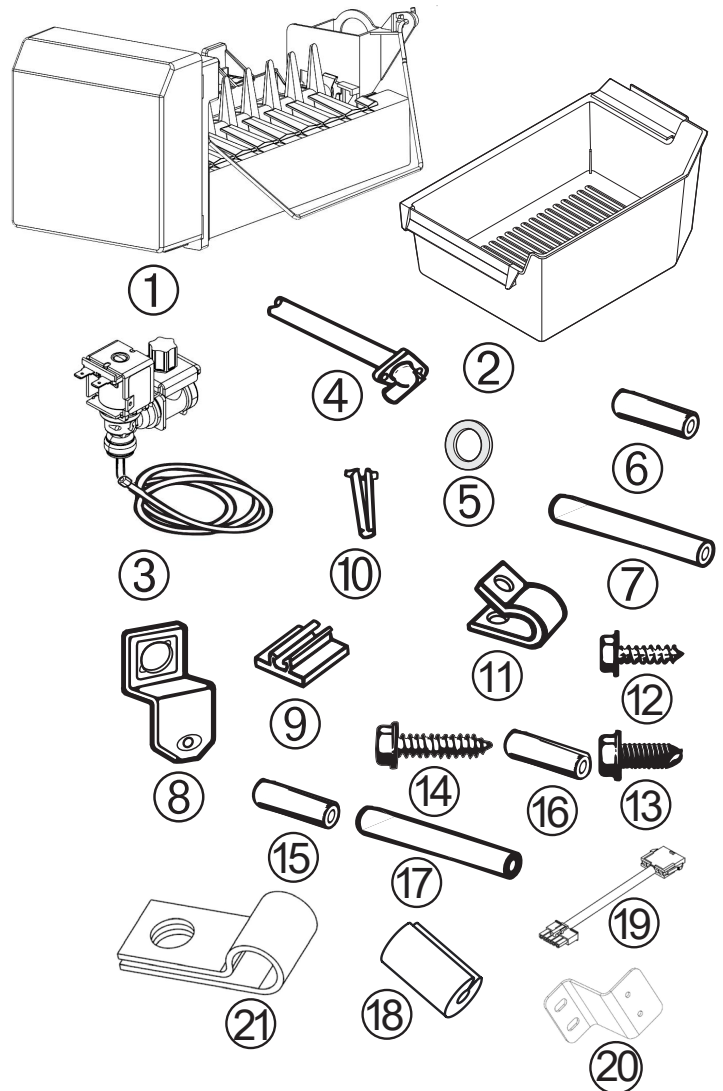
** For installation in 14 to 18 Cubic Foot Top Freezer Models.

*** For installation In 21 cu. ft Top Freezer Models.

****For installation in 14 to 16 cu. ft Top Freezer Models. (evap cover with integrated air tower).



Component Illustrations



Installing the Ice Maker

Making preparations

⚠ WARNING

Excessive Weight Hazard

Use two or more people to move and install refrigerator.

Failure to do so can result in back or other injury.

Refer to the illustration below for the following steps.

1. Pull the refrigerator away from the wall so that you can easily access the rear panel.

⚠ WARNING



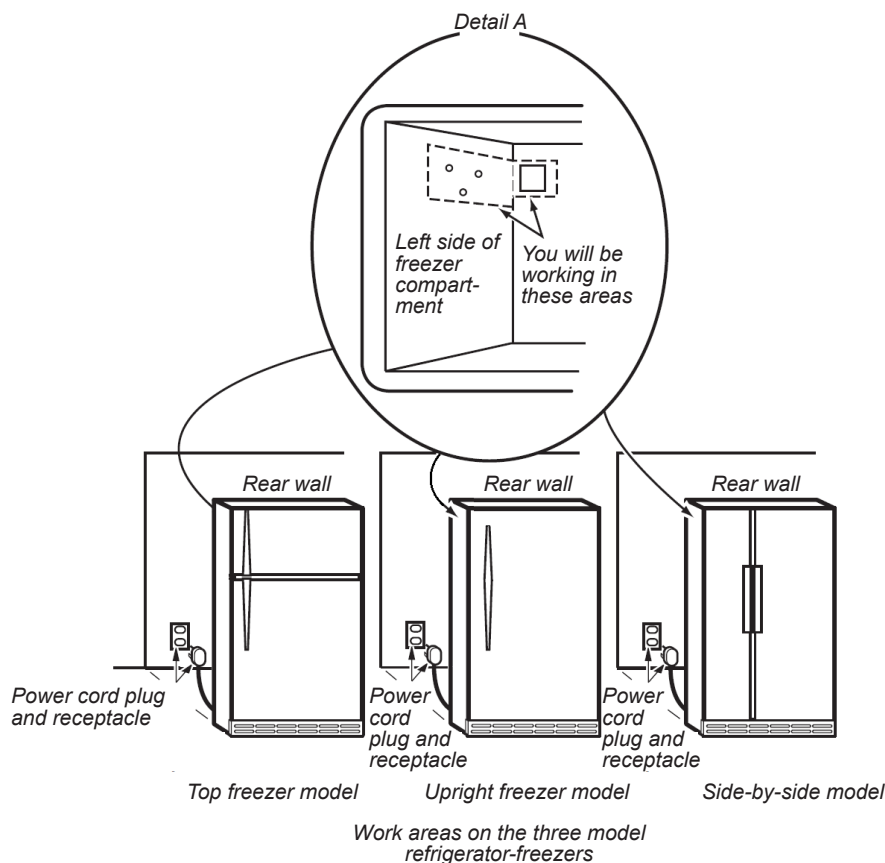
Electrical Shock Hazard

Disconnect power before installing ice maker.

Failure to do so can result in death or electrical shock.

2. Unplug Refrigerator or disconnect power.
IMPORTANT: If you have a side-by-side model refrigerator-freezer, be sure when you open the freezer door to work inside that you do not force the door against the stop at the bottom of the door. If you bend the stop, the door will not close properly.
3. On appliances with a top freezer, open the freezer door and remove all of the food items from inside the freezer compartment.
For side-by-side units, you should only have to remove food items from the top half of the freezer section. This should give you enough room to access the areas to install the ice maker.
4. On top-mount models without a full-width freezer shelf, remove the ice tray shelf. Place the shelf aside, as you will use it later to support the ice bucket. If you have a side-by-side model refrigerator, proceed to "Side-by-side models" on page 7. If you have a refrigerator with a top freezer, or an upright freezer proceed to "Top/Upright freezer models" on page 9.

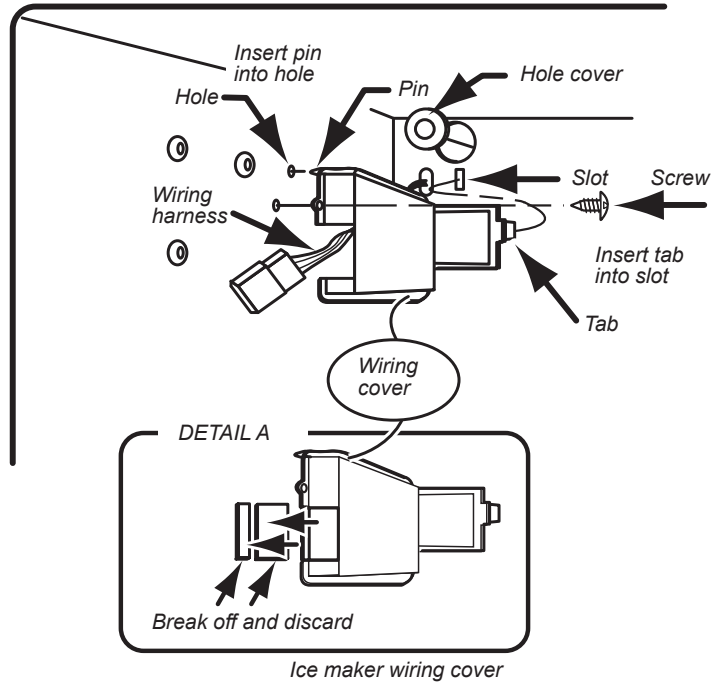
NOTE: The work area for all three model refrigerator-freezers is shown in DETAIL A below.



Side-by-side models

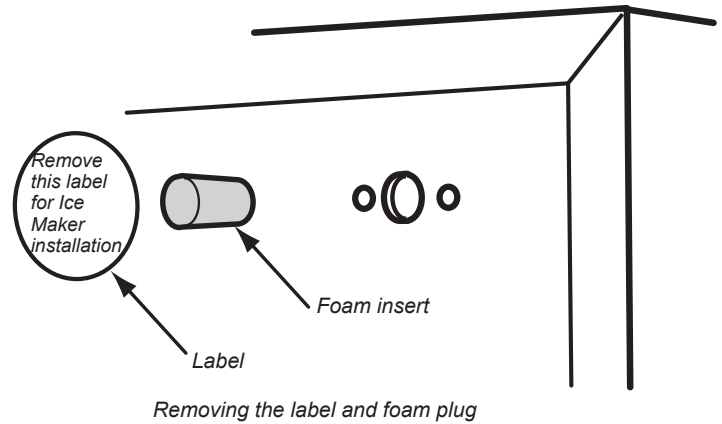
Refer to the side diagram for the following steps. You will be working inside the freezer compartment.

1. Remove the screw from the ice maker wiring cover and remove the cover.
2. Refer to DETAIL A, and with a pair of pliers, break away the tabs from the wiring cover and discard them.
3. Insert the blade of a small screwdriver under the edge of the round hole plug for the fill tube, (located at the back of the freezer liner), and pry it out. You can discard the plug.



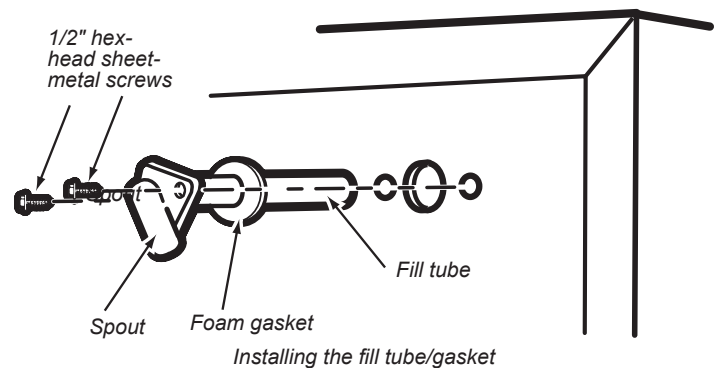
Refer to the side diagram for the following steps. You will be working on the outside at the rear of the cabinet.

1. In the upper right corner of the cabinet, peel off the label that is over the fill tube hole.
2. Pull the foam insert out of the fill tube hole and discard it.



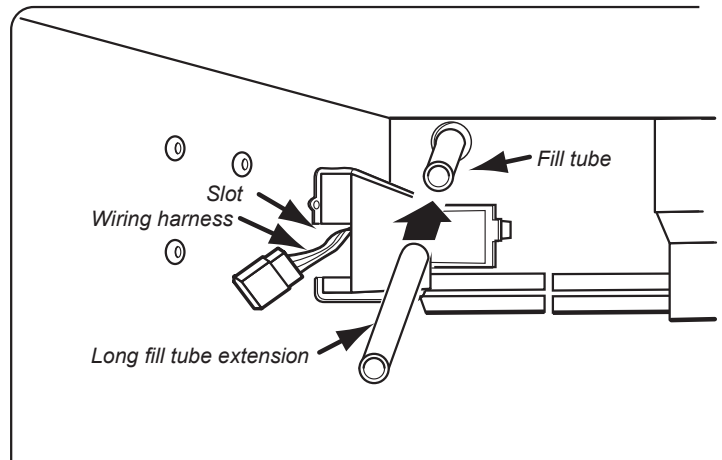
Refer to the side diagram for the following steps.

1. Locate the fill tube and the round foam gasket from the ice maker kit (the gasket may already be installed on the fill tube). If not already done, slide the gasket over the end of the fill tube.
2. Insert the fill tube through the hole in the rear of the refrigerator with the spout facing down, and secure it with two 1/2" hex-head sheet metal screws.



Refer to the side diagram for the following step. You will be working inside the freezer compartment.

1. Install the long plastic extension by sliding it over the fill tube as far as it will go.

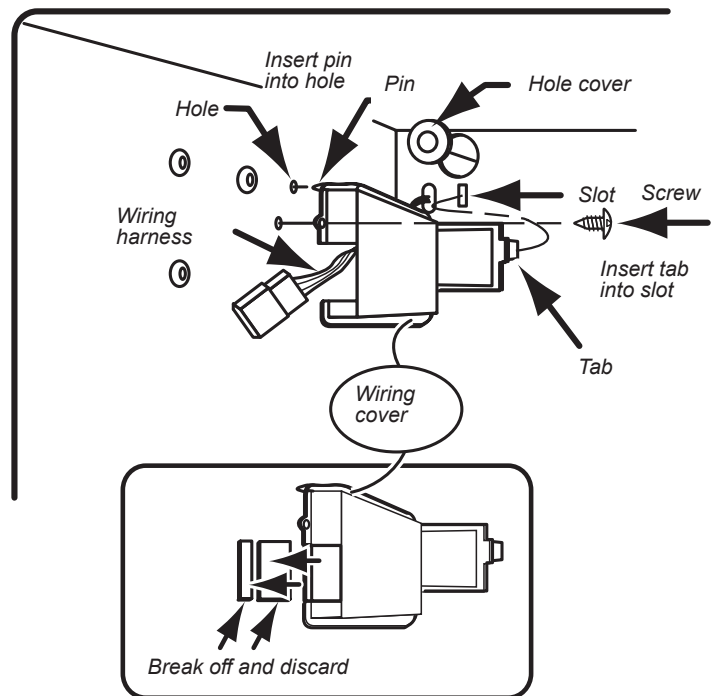


Installing the long fill tube extension

Refer back to the side diagram for the following step.

2. Position the wiring harness so that it is through the slot in the wiring cover. Insert the tab at the back of the wiring cover into the freezer liner slot. Press the pin on the side of the wiring cover into the hole in the side of the freezer liner so it locks into place. Secure the wiring cover with the screw you removed earlier.

Proceed to "Installing the tubing clips" on page 11.

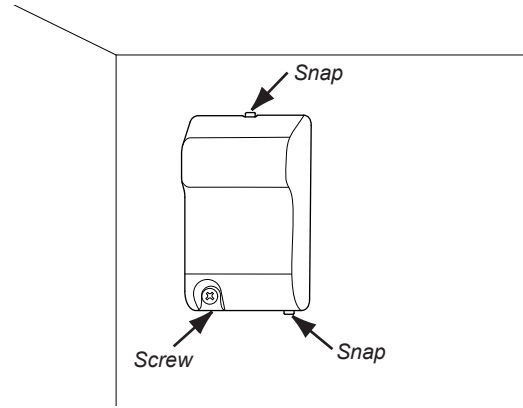


Ice maker wiring cover

Top/Upright freezer models

Refer to the side diagrams for the following 2 steps. You will be working inside the freezer compartment.

- 1. On models with a raised wiring cover:**
Remove the screw from the ice maker wiring cover.
Squeeze top and bottom to loosen snaps.
Remove and discard ice maker wiring cover.

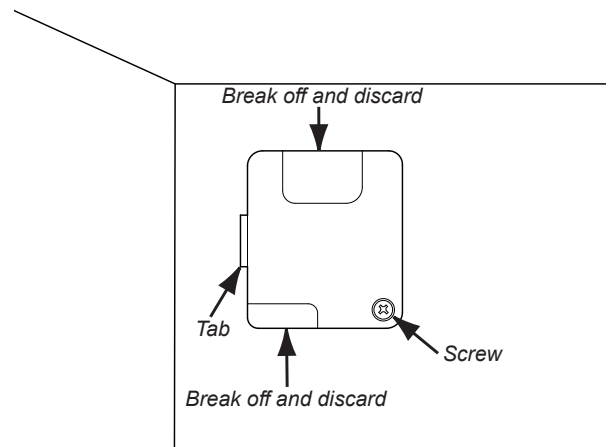


Removing the raised wiring cover

On models with a flat cover:

Remove the screw from the ice maker wiring cover.
Unhook the side tab from the edge of the back cover.
Remove ice maker wiring cover.
Look at the back side of the flat wiring cover and note the grooved lines. Use a pair of pliers and bend the areas inside the grooved lines back and forth until they break away from the wiring cover.

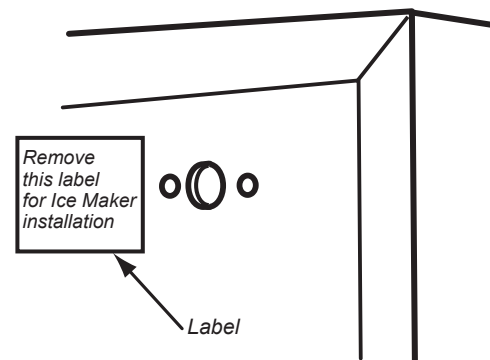
- 2.** Pull the ice maker harness out from behind the freezer's back cover as far as possible, and hang it over the edge of the cutout. Do not remove any other wiring from the cutout.



Removing the flat wiring cover

Refer to the side diagrams for the following step. You will be working on the back of the refrigerator cabinet.

- 1.** On the back of the cabinet, peel off the label that is over the fill tube hole.



Removing the label

Top/Upright freezer models (continued)

Refer to the side diagrams for the following steps.

1. Locate the fill tube and the round foam gasket from the ice maker kit (the gasket may already be installed on the fill tube). If not already done, slide the gasket over the end of the fill tube.

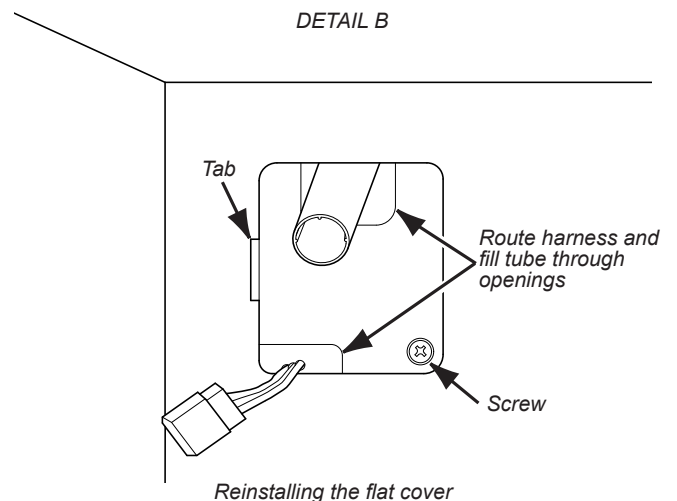
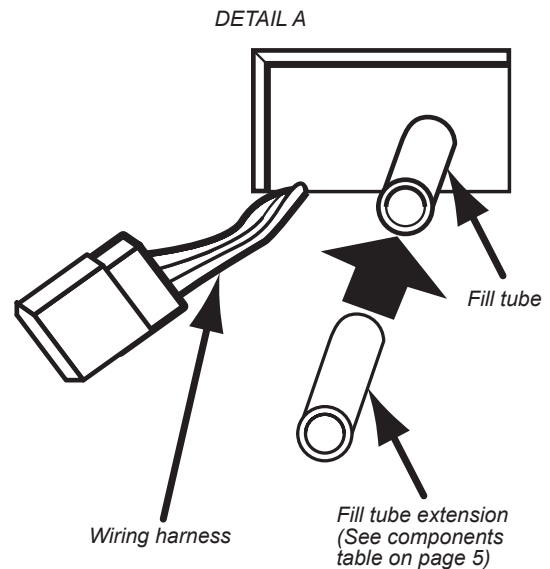
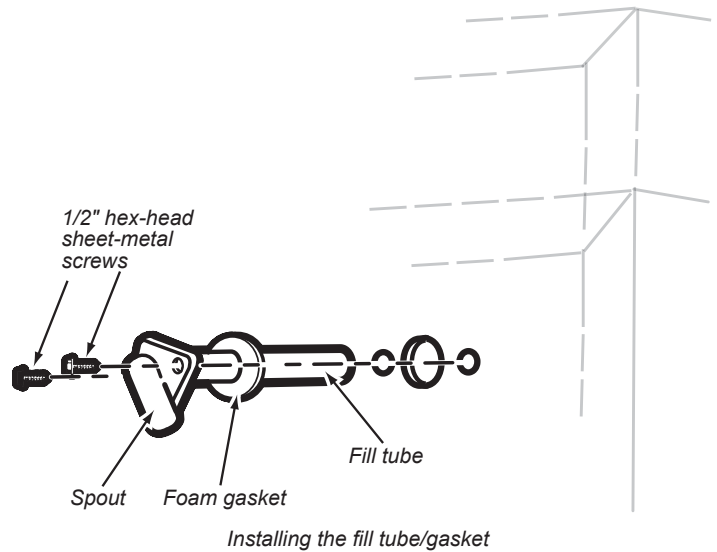
Insert the fill tube through the hole in the rear of the refrigerator with the spout facing down, and secure it with two 1/2" hex-head sheet metal screws.

Refer to the side diagrams for the following steps. You will be working inside the freezer compartment.

1. Slide the plastic fill tube extension (See components table on page 5) over the end of the fill tube as far as it will go (see DETAIL A).

NOTE: The plastic fill tube extension is not required for models with open-top fill tube.

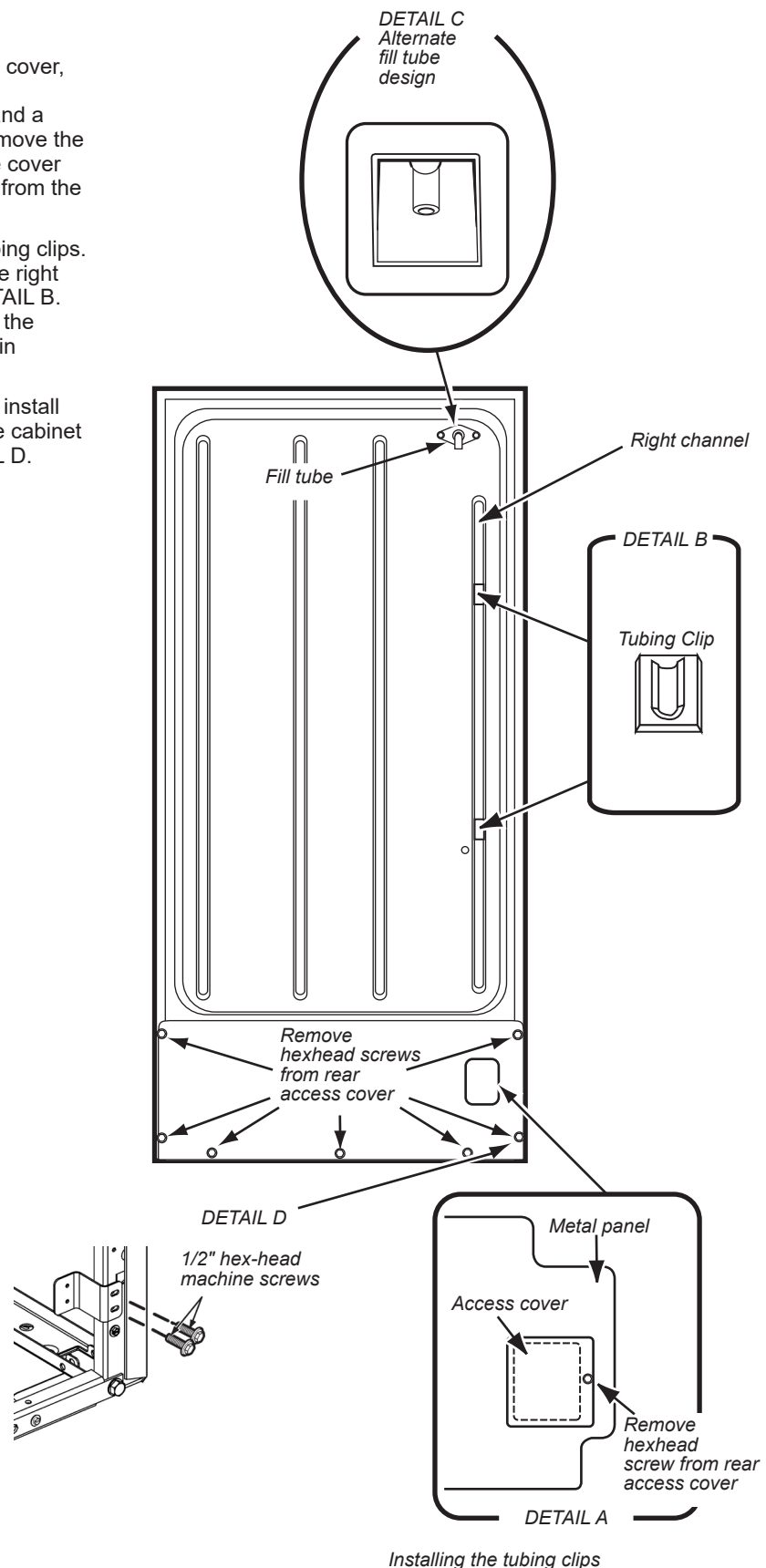
2. **Flat wiring cover:** Install the wiring cover over the fill tube with the wiring harness through the slot. Hook the tab in the side of the wiring cover into the slot in the back cover of the freezer, and secure the cover with the screw you removed earlier (see DETAIL B).



Installing the tubing clips

Refer to the side diagrams for the following steps.

1. Remove the hex-head screws from the rear access cover, then remove the cover and set it aside.
NOTE: If you have a later unit with a metal panel, and a separate, smaller access cover (see DETAIL A), remove the hex-head screw from the access cover. Discard the cover and its screw. Do not remove the hex-head screws from the larger rear access cover.
2. Peel the backing from the adhesive sides of the tubing clips. Press the clips against the back of the cabinet in the right channel at the approximate locations shown in DETAIL B. Center the clips between the fill tube and the top of the access opening. Alternate fill tube design is shown in DETAIL C.
3. For side by side models with a metal access cover, install the water valve bracket to the mounting holes in the cabinet frame using two 1/2" machine screws. See DETAIL D.



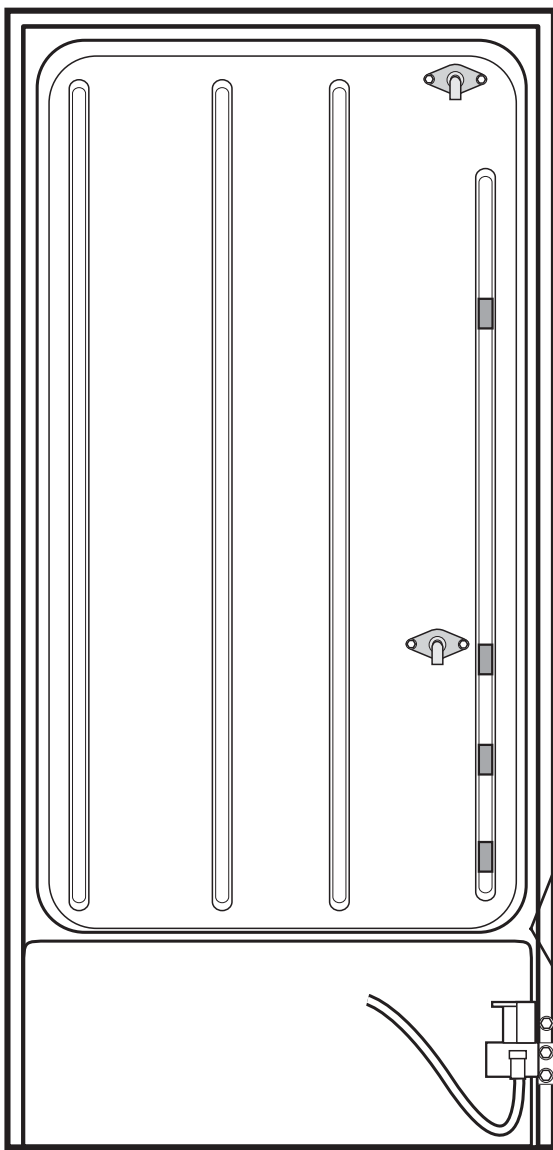
Mounting the water valve

Refer to the diagram below for the following steps.

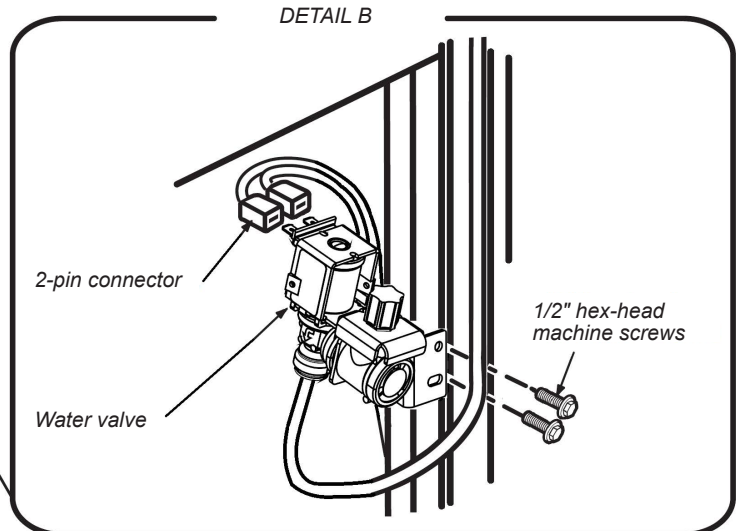
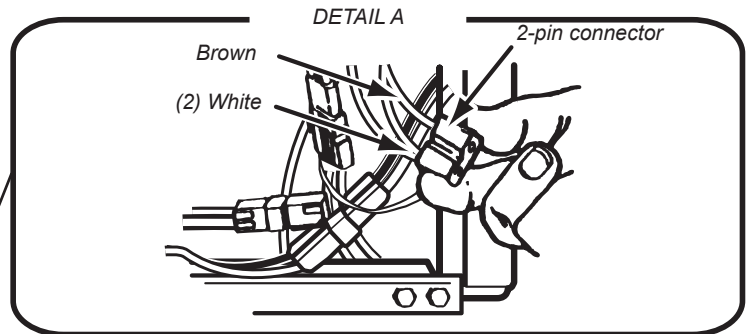
1. Locate the 2-pin water valve solenoid connector (with the brown and two white wires) that is taped to the main wiring harness at the lower right corner of the rear access (see DETAIL A).

2. Refer to DETAIL B and insert the 2-pin connector over the water valve solenoid terminals as far as possible (if the harness is not long enough, break the tape holding it to the main harness). You can position the connector with the wires at either terminal.
3. Refer to DETAIL B and mount the water valve to the mounting holes in the cabinet frame with two 1/2" hex-head machine screws. Make sure that you tighten these two screws securely.

NOTE: For side by side models with a metal access cover, the valve is mounted to the valve bracket previously installed instead of directly to the cabinet.



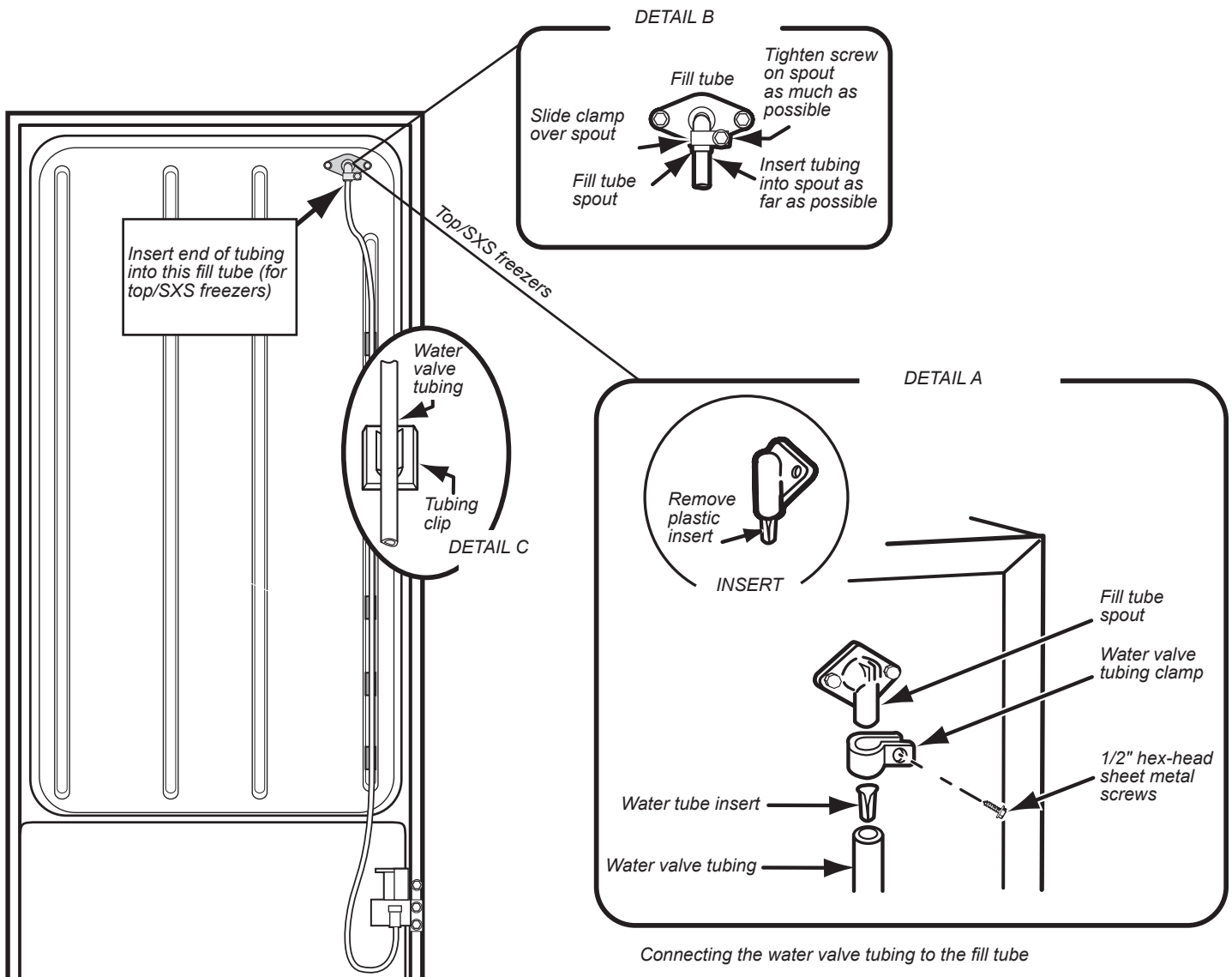
Mounting the water valve



Connecting the water valve tubing

Refer to the diagram below for the following steps.

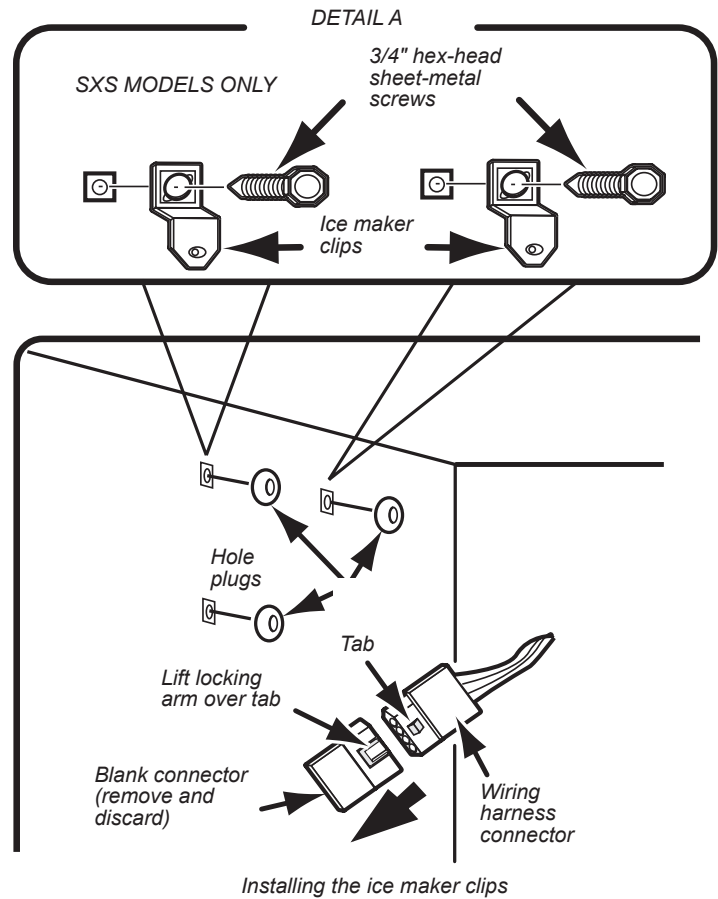
1. Refer to the inset in DETAIL A and pull the plastic insert out of the fill tube spout and discard it.
2. Locate the water valve tubing clamp (from the ice maker kit), and note that one of the flanges is made for a threaded screw and the other side has a round hole. Position this clamp with the round hole side facing up, and slide it over the end of the spout (see DETAILS A, B). Thread a 1/2" hex-head sheet metal screw into the clamp with your fingers as far as possible. You will tighten the screw later.
3. Refer to DETAIL A, and position the metal water tube insert as shown, then press it all the way into the water valve tubing.
4. Refer to DETAIL B, and slide the end of the tubing into the end of the fill tube spout as far as it will go (if the tubing does not reach, pull as much as necessary up through the clips), then tighten the tubing clamp screw as much as possible. Pull on the tubing to make sure that it is secure. If it slides out of the spout, push it back in, and tighten the clamp screw further until the tubing is secure.
5. Press the tubing into the two clips (see DETAIL C) you installed earlier on the back of the cabinet. You will connect the free end of the tubing later.
6. Pull any excess tubing near the fill tube down through the two clamps so it forms a straight line with a loop at the bottom of the water valve.



Mounting the ice maker

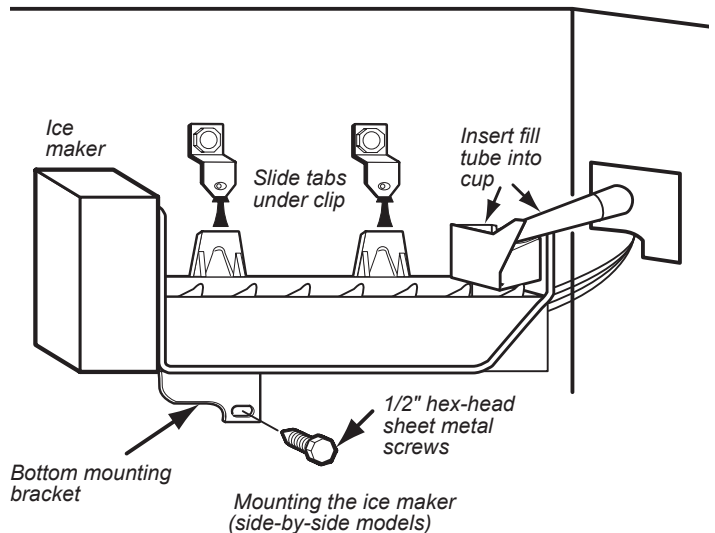
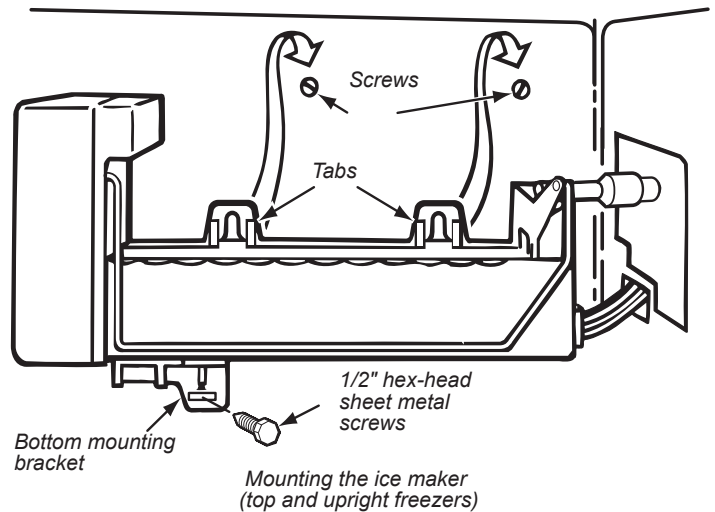
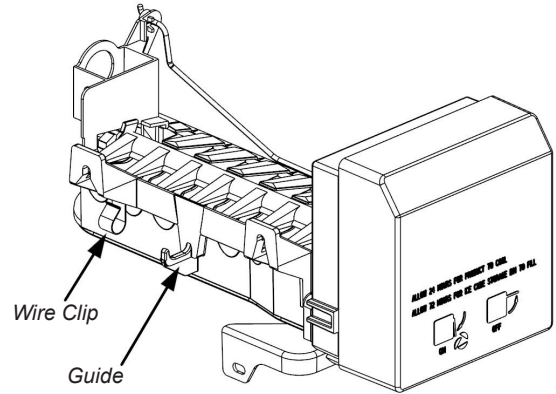
Refer to the side diagram for the following steps.

1. Remove and discard the blank connector from the wiring harness. To remove it, lift the locking arm on the side of the blank connector so it is over the tab of the wiring harness connector, and pull the blank connector off.
2. Insert the end of a small-bladed screwdriver under the edges of each of the three ice maker mounting hole plugs in the side of the freezer liner, and pry them out of their holes. You can discard the plugs.
3. For Top/Upright Freezers Only: Partially install two 3/4" hex-head sheet-metal screws into the two top mounting holes (shown in the diagram) of the freezer liner. You will hang the ice maker over these two screws later, so make sure that they protrude out far enough.
4. For Side-By-Side Models Only: Refer to DETAIL A and mount the two mounting clips (from the ice maker kit) to the top mounting holes of the freezer liner with two 3/4" hex-head sheet-metal screws. Make sure that both clips hang straight down and then tighten the screws.



Refer to the side diagram for the following steps.

1. Take the two jumper harnesses included in the kit and determine which one can connect to the freezer wiring harness. Discard the other jumper.
2. Connect the compatible jumper harness to the ice maker wiring harness. Route the wires over the guide and through the wire clip in the ice maker.
3. Position the ice maker inside the freezer compartment and connect its wiring connector to the jumper harness connector so they lock together. The connectors will fit together only one way.
4. For Top/Upright Freezers Only: Hang the ice maker over the two hex-head screws you installed earlier. Make sure that the bottom mounting bracket hole is aligned with the mounting hole in the freezer liner, then tighten the two top hex head screws. Be sure not to overtighten the screws.
5. For Side-By-Side Models Only: Position the ice maker so that its top and bottom mounting tabs are flat against the side of the freezer liner. Center the top tabs under the two mounting clips, and push the ice maker straight up so that the mounting clips snap over the tabs and lock into place (you should hear them "click" as they lock).
6. Mount the bottom bracket of the ice maker to the freezer liner mounting hole with a 1/2" hex-head sheet-metal screw.
7. Confirm fill tube extension reaches into the fill cup on the ice maker. Install a different extension from the kit if the one previously selected is too long or too short to dispense into the fill cup with the ice maker mounted.



Connecting the Water Supply

Read all directions before you begin.

IMPORTANT:

- Connect to potable water supply only.

Do not use with water that is microbiologically unsafe or of unknown quality without adequate disinfection before or after the system. Systems certified for cyst reduction may be used on disinfected waters that may contain filterable cysts.

- Plumbing must be installed in accordance with the International Plumbing Code and any local codes and ordinances.
- Copper and PEX tubing connections from the household water line to the refrigerator are acceptable and will help avoid off-taste or odor in your ice or water. Check for leaks.
- If PEX tubing is used instead of copper, we recommend the following part numbers: W10505928RP (7 ft [2.14 m] jacketed PEX), 8212547RP (5 ft [1.52 m] PEX), or W10267701RP (25 ft [7.62 m] PEX).
- Install tubing only in areas where temperatures will remain above freezing.

Tools Needed:

Gather the required tools and parts before starting installation.

- Flat-blade screwdriver
- 7/16" and 1/2" open-end wrenches or 2 adjustable wrenches
- 1/4" nut driver

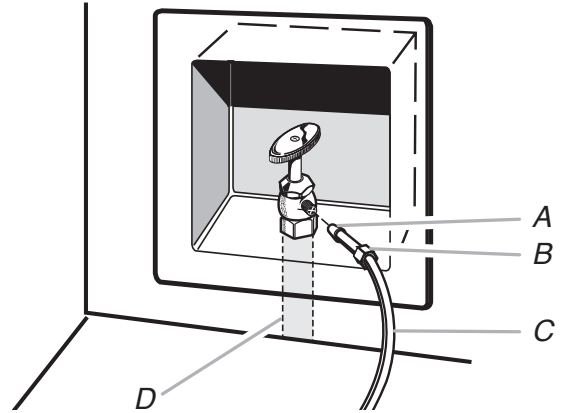
NOTE: Do not use a piercing-type or 3/16" (4.76 mm) saddle valve, which reduces water flow and clogs easier.

Connect to Water Line

IMPORTANT: If you have turned the refrigerator on before the water was connected, turn off the ice maker.

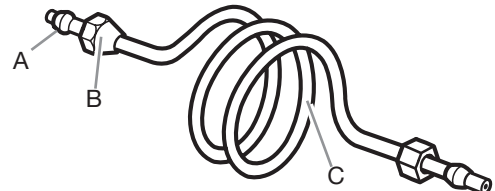
1. Unplug refrigerator or disconnect power.
2. Turn off main water supply. Turn on nearest faucet long enough to reduce water pressure in the water line.
3. Use a quarter-turn shut-off valve or the equivalent, served by a 1/2" household supply line.

NOTE: To allow sufficient water flow to the refrigerator, a minimum 1/2" (12.7 mm) size household supply line is recommended.



A. Sleeve
B. Nut
C. Copper tubing (to refrigerator)
D. Household supply line (1/2" minimum)

4. Now you are ready to connect the copper tubing to the shut-off valve. Use 1/4" (6.35 mm) O.D. (outside diameter) soft copper tubing to connect the shut-off valve and the refrigerator.
5. Ensure that you have the proper length needed for the job. Be sure both ends of the copper tubing are cut square.
6. Slip compression sleeve and compression nut onto copper tubing as shown. Insert end of tubing into outlet end squarely as far as it will go. Screw compression nut onto outlet end with adjustable wrench. Do not overtighten.



A. Compression sleeve
B. Compression nut
C. Copper tubing

7. Place the free end of the tubing into a container or sink and turn on main water supply to flush out tubing until water is clear. Turn off shut-off valve on the water pipe.

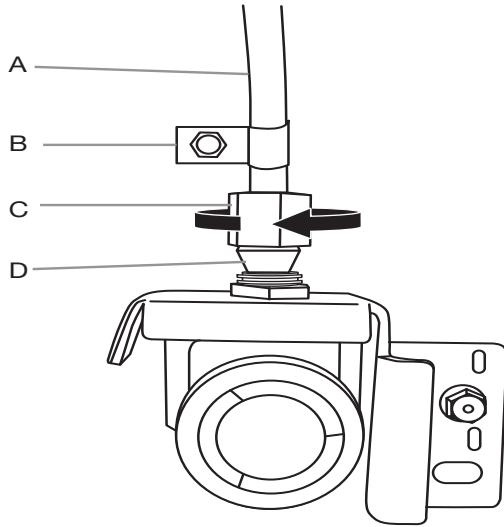
Note: Always drain the water line before making the final connection to the inlet of the water valve to avoid possible water valve malfunction.

8. Bend the copper tubing to meet the water line inlet, located on the back of the refrigerator cabinet as shown. Leave a coil of copper tubing to allow the refrigerator to be pulled out of the cabinet or away from the wall for service.

Connect to Refrigerator

Follow the connection instructions specific to your model.

1. Remove plastic cap from water valve inlet port. Attach the copper tubing to the valve inlet using a compression nut and sleeve as shown. Tighten the compression nut. Do not overtighten. Confirm copper tubing is secure by pulling on copper tubing.
2. Create a service loop with the copper tubing. Avoid kinks when coiling the copper tubing. Secure copper tubing to the rear panel with a "P" clamp, using the original screw in the panel slot above the valve.



A. Copper tubing
B. "P" clamp

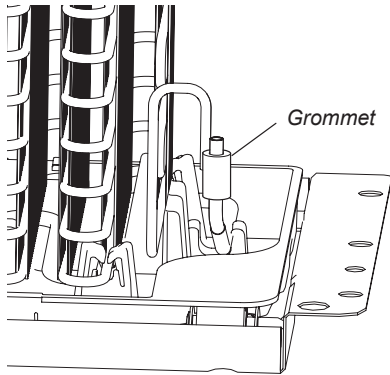
C. Compression nut
D. Compression sleeve

3. Turn on water supply to refrigerator and check for leaks. Correct any leaks.

Final Installation

Installing the access cover and forming the copper tubing

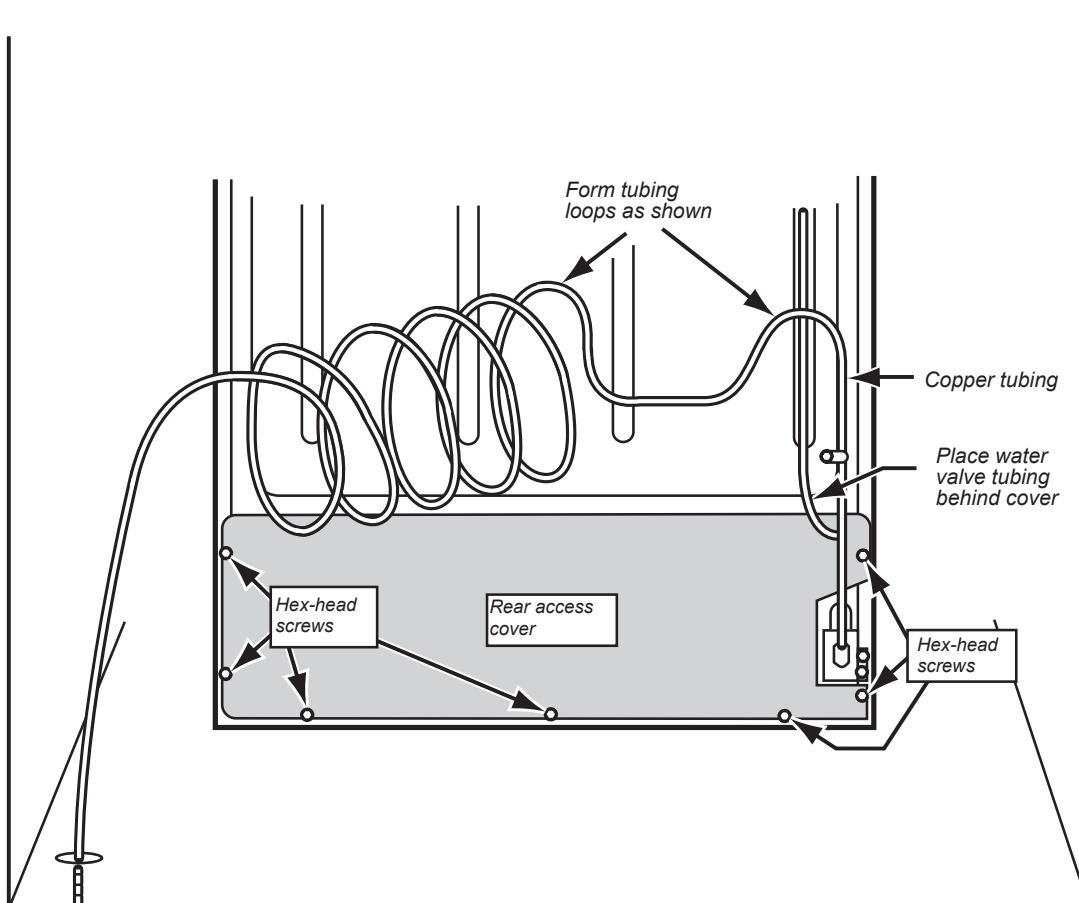
1. Top freezer models only: Add grommet to condenser to avoid contact between valve and condenser area.



2. Reinstall the rear access cover on the refrigerator so the water valve tubing is inside the cover, and the copper water line is outside (see the diagram below), then secure the cover with the hex-head screws you removed earlier.

NOTE: For side by side models, gently route the plastic tubing through the slot in the metal access cover.

3. Loop the copper tubing coming from the water valve as shown. Position the coiled copper tubing near the center of the unit so that it forms an "accordion-fold" (as shown in the diagram below) when it is moved to and from the wall.



Installing the access cover and forming the copper tubing

Connecting the power/ Leveling the unit

⚠ WARNING



Electrical Shock Hazard

Plug into a grounded 3 prong outlet.

Do not remove ground prong.

Do not use an adapter.

Do not use an extension cord.

Failure to follow these instructions can result in death, fire, or electrical shock.

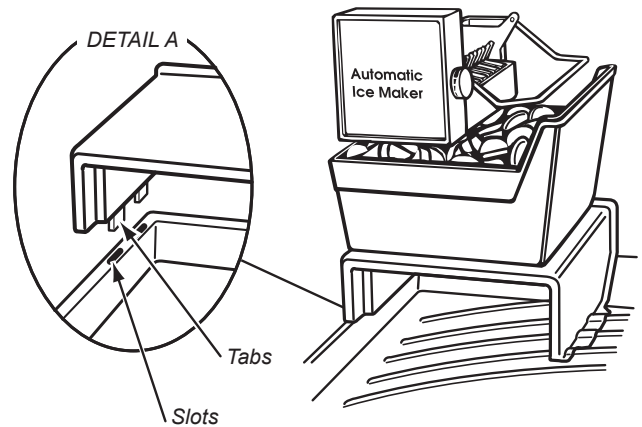
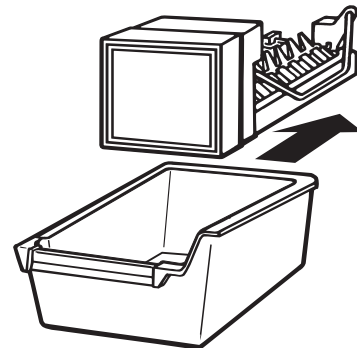
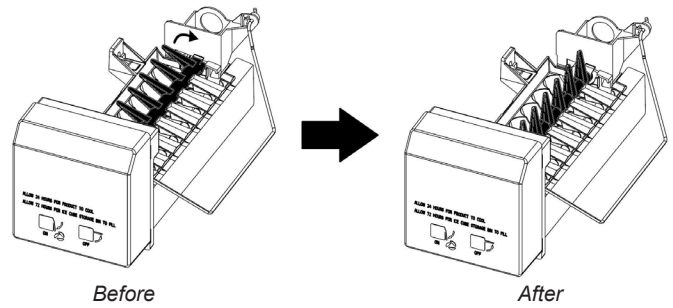
1. Plug the power cord into its AC outlet, and gently push the refrigerator back against the wall.
2. Place a level on top of the cabinet. If you need to re-level the refrigerator, follow the procedure to adjust the front casters, as outlined in your refrigerator's "Owner's Manual."
3. Check the position of the ice maker. If it is crooked and needs to be adjusted, loosen the bottom bracket screw and position the ice maker as desired, then tighten the bracket screw.

Starting the Ice Maker

- 1. IMPORTANT:** Make sure freezer lights are on and freezer door switch remains open when performing this step. Manually rotate ejector fingers 60 degrees towards a vertical orientation. To avoid damaging ice maker, ejector fingers should only be rotated in a clockwise direction (see illustration).
- 2.** Wash out the ice bucket, and then slide it under the ice maker (see the side diagram) as far as it will go. The ice bucket will be sitting on top of the freezer shelf.
IMPORTANT: On top-mount models without a full-width freezer shelf, you will need to place the ice bucket on top of the inverted ice tray shelf. First, position the ice tray shelf face down so that the shorter side is alongside the freezer wall (see DETAIL A). Then insert the tabs on the shorter side of the shelf into the slots on the edge of the freezer floor. This will hold the shelf in position. Next, place the ice bucket on top of the inverted ice tray shelf and slide it under the ice maker (see side diagram). The ice maker will not function properly if the ice bucket is placed directly on the freezer floor.
- 3.** Place the items back into the freezer compartment.
- 4.** Lower the arm on the ice maker (see the side diagram) to its “on” position, and close the freezer door. The ice maker will begin to make ice within 24 hours.

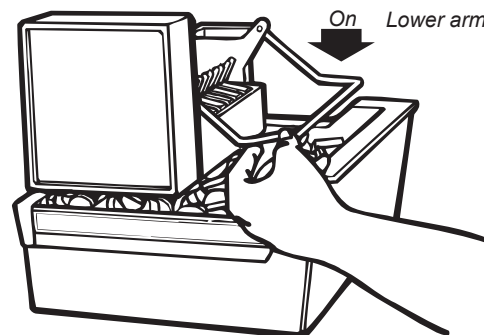
NOTE: It usually takes approximately 24 hours for the ice maker to begin producing ice. Once ice is available, you may notice that it has an “off taste.” If this happens, make two or three batches of ice and discard them. After that, the “off-taste” should be gone. If you have any problems, refer to “Troubleshooting” section.

This completes the installation of your Ice Maker.



↑ Off Raise arm to stop ice

↓ On Lower arm to start it



Troubleshooting

Operational notes

1. The Ice Maker water valve contains a flow washer that acts like a pressure regulator to control the water flow. For the Ice Maker to work properly, the water pressure in your home must be between 20 and 120 pounds per-square-inch (psi). If you encounter problems with your Ice Maker's ability to produce ice, call your water utility company and have the water pressure checked.
2. The Ice Maker's water valve is equipped with two strainers: a plastic basket type and a wire-mesh screen. Both of these can be cleaned by turning off the water and disassembling the water valve (your service center should be able to provide this service). If local water conditions require periodic cleaning, or if you use a well as a water source, you should consider installing a second water strainer in the water line. You can obtain a water strainer from your local appliance dealer.

Troubleshooting chart

The following chart lists several common problems that could occur with your Ice Maker.

PROBLEM	CAUSE
One or more of the following sounds is heard: <ul style="list-style-type: none">■ Buzzing■ Trickling water■ Thud (clatter of ice)	The water valve is operating. Water is entering the Ice Maker fill cup. Ice is being dumped into the ice bin.
Ice tastes stale.	The ice is old. Make a new batch.
Water in Ice Maker overflows.	Refrigerator or Ice Maker is not level. If the Ice Maker still overflows after leveling, turn off the Ice Maker's water supply at the shut-off valve, and raise the Ice Maker's bail arm to the "off" position; then contact your local service center.
Not enough ice.	It will take 72 hours to fill the ice bucket. The ice maker will make ice every 2 to 3 hours. For more ice, adjust the freezer control for a colder setting.
Ice making has stopped.	Be sure that the bail arm is lowered into the ice bucket. Make sure that the water shut-off valve is on. The water shut-off valve or the water valve screen is clogged (contact your local service center).

Informations importantes

Les informations suivantes sont utilisées tout au long de ce guide d'installation. Lire ce guide attentivement pour s'en familiariser.

Votre sécurité et celle des autres est très importante.

Nous donnons de nombreux messages de sécurité importants dans ce manuel et sur votre appareil ménager. Assurez-vous de toujours lire tous les messages de sécurité et de vous y conformer.



Voici le symbole d'alerte de sécurité.

Ce symbole d'alerte de sécurité vous signale les dangers potentiels de décès et de blessures graves à vous et à d'autres.

Tous les messages de sécurité suivront le symbole d'alerte de sécurité et le mot "DANGER" ou "AVERTISSEMENT". Ces mots signifient :

⚠ DANGER

Risque possible de décès ou de blessure grave si vous ne suivez pas immédiatement les instructions.

⚠ AVERTISSEMENT

Risque possible de décès ou de blessure grave si vous ne suivez pas les instructions.

Tous les messages de sécurité vous diront quel est le danger potentiel et vous disent comment réduire le risque de blessure et ce qui peut se produire en cas de non-respect des instructions.

- Ce Guide d'installation présente les instructions complètes d'installation de la machine à glaçons dans le congélateur du réfrigérateur, et les instructions de raccordement entre la conduite d'arrivée d'eau et la machine. Lire le guide et suivre les instructions exactement comme elles sont présentées. S'assurer également de respecter toutes les instructions de « sécurité ».
- **IMPORTANT** : L'installation de la conduite d'eau et de la machine à glaçons doit être effectuée par un technicien de service qualifié.
- Avant d'entreprendre l'installation de la machine à glaçons, il est nécessaire d'acquérir un ensemble « Tube en cuivre malléable », contenant un ensemble robinet d'arrêt ordinaire/bride de prise en charge (pour réfrigérateur avec machine à glaçons automatique ou casiers auto-remplissables). L'ensemble contient tout le matériel nécessaire pour le raccordement de la machine à glaçons à la source d'eau. On peut acheter l'ensemble nécessaire dans la plupart des magasins de quincaillerie ou de fournitures de plomberie.

REMARQUE : Ne pas utiliser de vannes d'arrêt de type perforant ou de 3/16 po. Ils réduisent le débit d'eau vers la machine à glaçons et sont facilement obstrués. Ne pas utiliser de tube en polyéthylène pour connecter la machine à glaçons à la conduite d'eau. Utiliser uniquement des tubes en cuivre de 1/4 po (DE).

**L'INSTALLATION RÉALISÉE PAR LE CLIENT/
UTILISATEUR N'EST PAS GARANTIE PAR LE
FABRICANT DU RÉFRIGÉRATEUR OU DE LA
MACHINE À GLAÇONS.**

Avant de commencer

Outils

Rassembler les outils et composants nécessaires avant d'entreprendre le processus d'installation. Lire et observer les instructions fournies avec chacun des outils de la liste suivante.

1. Tournevis ordinaire
2. Tournevis à tête cruciforme
3. Clés plates de 7/16 po et 1/2 po (ou clé à molette)
4. Pince
5. Tourne-écrou de 1/4 po
6. Petit niveau manuel (facultatif)
7. Règle

Remarques concernant l'installation

1. Suivre les instructions complètement. Lire la totalité de la description de chaque étape pour bien comprendre le processus avant de l'exécuter.
2. Les illustrations présentées dans ce Guide d'installation clarifient la description des étapes de l'installation à exécuter. Pour chaque groupe d'étapes, étudier le schéma présenté juste à côté ou au-dessous du texte, pour tout besoin de clarification. Certaines illustrations contiennent également des « DÉTAILS ». Les DÉTAILS sont contenus dans des bulles à côté de l'illustration plus grande. Un DÉTAIL présente un gros plan d'une certaine partie d'un schéma, ou une illustration d'une étape spécifique à exécuter. Les DÉTAILS par un code alphabétique (A, B ou C), et il y est fait clairement référence dans le texte descriptif de chaque étape.
3. Lorsqu'il est nécessaire d'installer une pièce, positionner la pièce tel que ceci est représenté sur l'illustration.

Composants

Ôter les divers articles de l'emballage d'expédition, et placer ceux-ci sur une table pour pouvoir les identifier facilement. Vérifier la présence de chaque composant de l'ensemble, par comparaison à la liste ; ceci permet également à l'installateur de se familiariser avec les composants. Après avoir identifié un composant, cocher (✓) son nom dans la liste. Les CODES DE REPÉRAGE correspondent à l'« Illustration des composants ».

IMPORTANT : En retirant l'électrovanne d'arrivée d'eau et le tuyau flexible de leur emballage de polystyrène, veiller à ne pas les séparer. Ils ont été montés en usine et sont testés contre les fuites. Ne pas modifier la position de l'écrou de compression qui connecte le tube de cuivre malléable sur l'électrovanne, sinon l'électrovanne pourrait manifester une fuite après le raccordement à la source d'eau.

Ne jeter aucun matériau d'emballage avant d'avoir vérifié la présence de tous les composants.

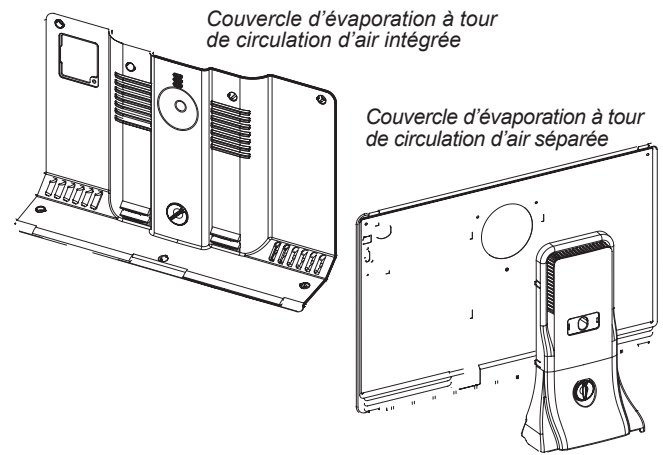
TOUCHE	QTÉ	DESCRIPTION
1	1	Machine à glaçons
2	1	Panier à glaçons avec rallonge
3	1	Électrovanne d'arrivée d'eau et son tuyau
4	1	Tube de remplissage
5	1	Joint */** uniquement
6	1	Tube prolongateur (court) de 71,6 mm **
7	1	Tube prolongateur (long) de 152,1 mm *
8	2	Pattes de retenue de la machine à glaçons *
9	2	Agrafes de retenue du tube malléable
10	1	Élément inséré métallique pour tube malléable
11	1	Bride d'arrimage du tube de l'électrovanne d'admission d'eau
12	5	Vis de tôlerie/à tête hexagonale de 1/2 po
13	4	Vis à métaux/à tête hexagonale de 1/2 po
14	2	Vis de tôlerie/à tête hexagonale de 3/4 po
15	1	Tuyau prolongateur de 63,5 mm ***/****
16	1	Tuyau prolongateur de 85,7 mm
17	1	Tuyau prolongateur de 123 mm
18	1	Oeillet au condensateur**
19	2	Faisceau de cavalier
20	1	Support de l'électrovanne d'eau*
21	1	Serre-câbles

* Pour installation seulement dans un modèle à compartiments juxtaposés (côte à côte).

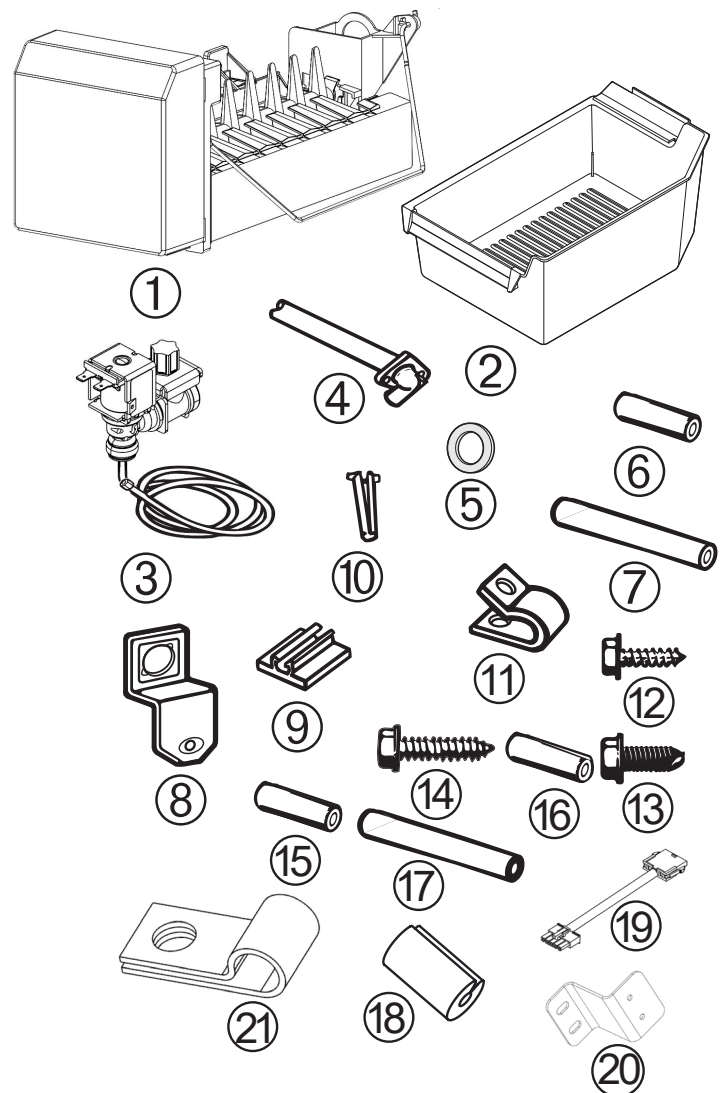
** Pour installation dans un modèle à congélateur en haut (de 14 à 18 pi³).

*** Pour installation dans un modèle à congélateur en haut de 21 pi³.

**** Pour installation dans un modèle à congélateur en haut de 14 à 16 pi³. (couvercle d'évaporation avec tour d'air intégrée).



Illustrations des composants



Installation de la machine à glaçons

Opérations préparatoires

⚠ AVERTISSEMENT

Risque du poids excessif

Utiliser deux ou plus de personnes pour déplacer et installer le réfrigérateur.

Le non-respect de cette instruction peut causer une blessure au dos ou d'autre blessure.

Voir l'illustration ci-dessous au sujet des étapes suivantes.

1. Écarter le réfrigérateur du mur pour pouvoir accéder facilement au panneau arrière.

⚠ AVERTISSEMENT



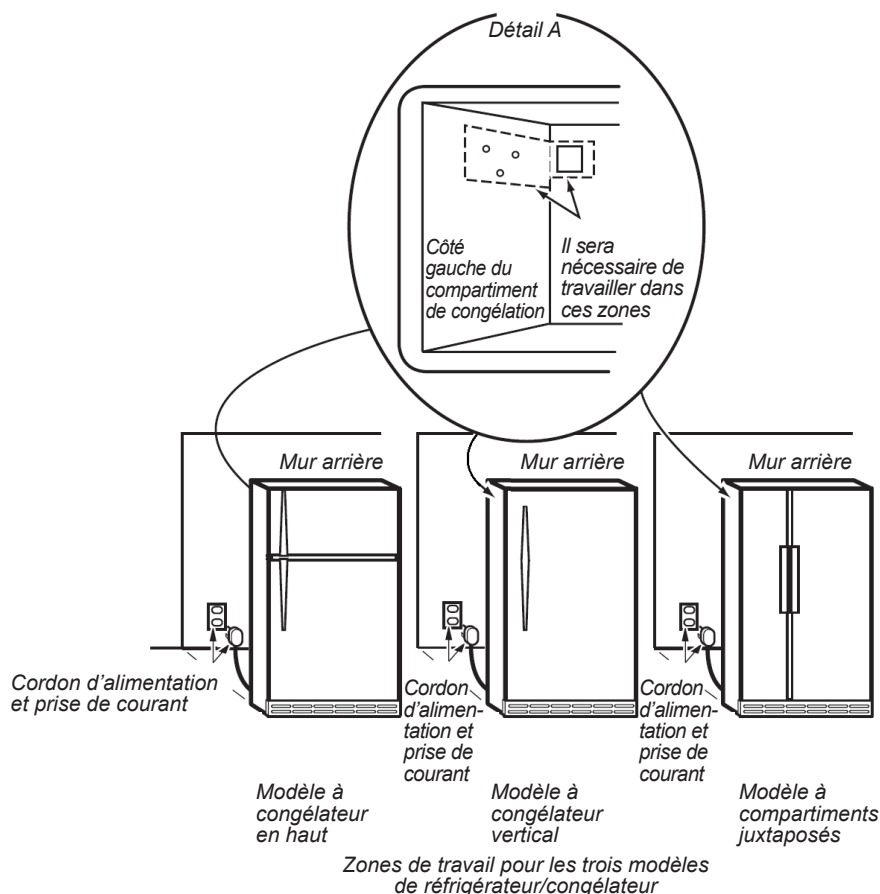
Risque de choc électrique

Déconnecter la source de courant électrique avant l'installation de la machine à glaçons.

Le non-respect de cette instruction peut causer un décès ou un choc électrique.

2. Débrancher le réfrigérateur ou déconnecter la source de courant électrique.
IMPORTANT : Dans le cas d'un appareil congélateur/ réfrigérateur à compartiments juxtaposés (côte à côte), lorsqu'il est nécessaire d'ouvrir la porte du congélateur pour travailler à l'intérieur du compartiment de congélation, veiller à ne pas forcer la porte contre la butée présente en bas de la porte. Si la butée est pliée, la porte ne se fermera pas correctement.
3. Dans le cas d'un réfrigérateur avec congélateur en haut, ouvrir la porte du congélateur et retirer tous les articles alimentaires qui se trouvent à l'intérieur du compartiment de congélation. Dans le cas d'un appareil à compartiments juxtaposés (côte à côte), il suffit de retirer les aliments que de la moitié supérieure de la section du congélateur. Cela devrait permettre suffisamment d'espace pour accéder aux zones d'installation de la machine à glaçons.
4. Pour un appareil à congélateur en haut qui ne comporte pas une tablette pleine largeur dans le congélateur, retirer la tablette de plateau à glaçons. Placer la tablette à part ; elle sera réutilisée comme support du panier à glaçons. Si le réfrigérateur est un modèle à compartiments juxtaposés, passer à la section « Modèle à compartiments juxtaposés » à la page 26. Si le réfrigérateur est un modèle avec un congélateur en haut ou un congélateur vertical, passer à la section « Modèles de congélateur en haut/vertical » à la page 28.

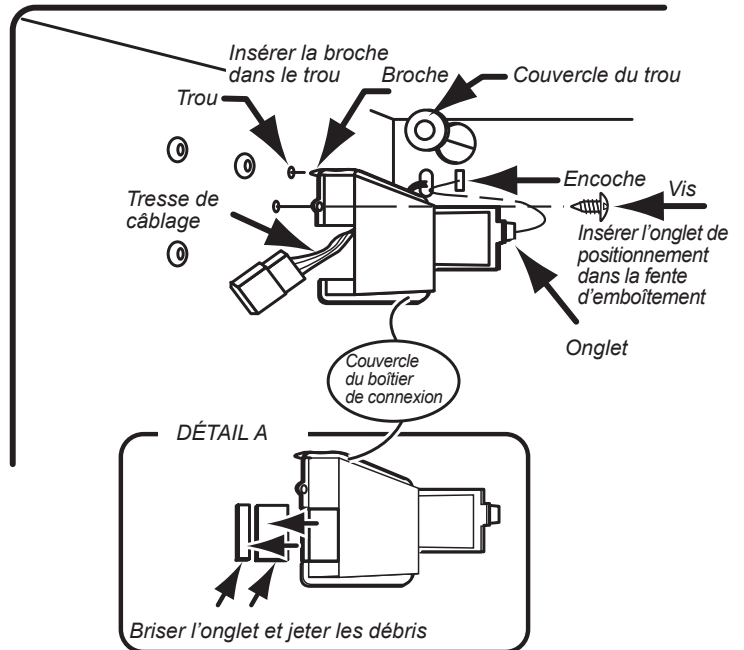
REMARQUE : Pour les trois modèles de réfrigérateur/ congélateur, la zone de travail est identifiée par l'illustration DÉTAIL A ci-dessous.



Modèle à compartiments juxtaposés

Voir le schéma adjacent au sujet des étapes suivantes. Il sera nécessaire de travailler à l'intérieur du compartiment de congélation.

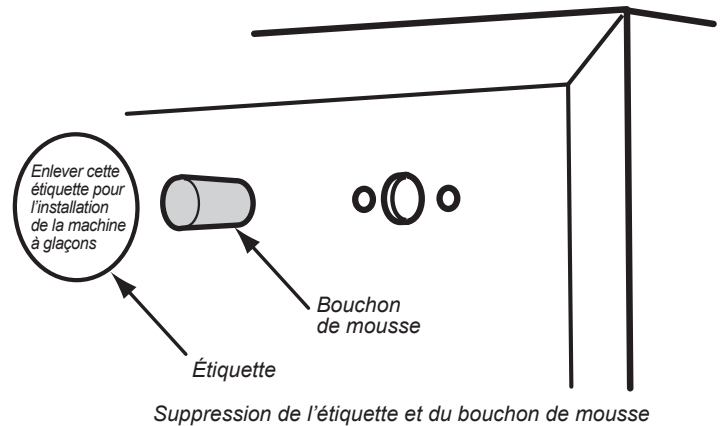
1. Ôter la vis qui retient le couvercle du logement du câblage de la machine à glaçons, et ôter le couvercle.
2. Voir le DÉTAIL A ; avec une pince, briser les onglets du couvercle du câblage ; jeter ces débris.
3. Insérer la lame d'un petit tournevis sous le bord du bouchon du trou de passage du tube de remplissage (à l'arrière de la doublure du congélateur) ; extraire le bouchon. Jeter le bouchon.



Couvercle du logement du câblage de la machine à glaçons

Voir le schéma adjacent au sujet des étapes suivantes. Il sera nécessaire de travailler à l'extérieur à l'arrière de la caisse du réfrigérateur.

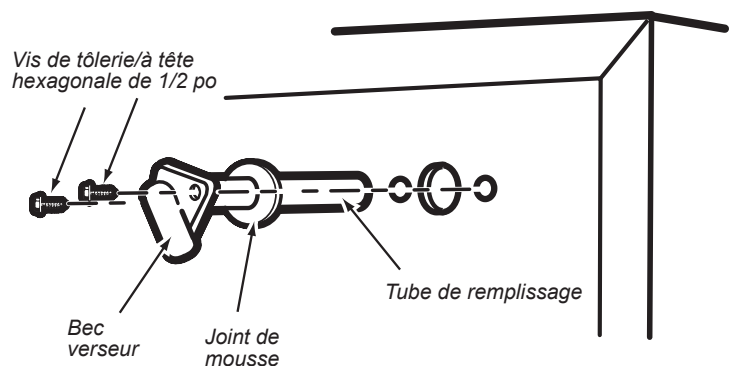
1. Dans l'angle supérieur droit de la caisse du réfrigérateur, décoller l'étiquette placée par-dessus le trou de passage du tube de remplissage.
2. Extraire le bouchon de mousse du trou de passage du tube de remplissage ; jeter le bouchon.



Suppression de l'étiquette et du bouchon de mousse

Voir le schéma adjacent au sujet des étapes suivantes.

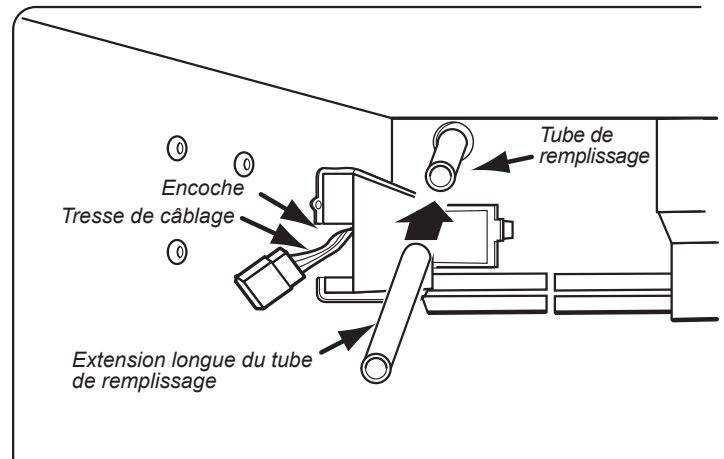
1. Localiser le tube de remplissage et le joint rond en mousse de la trousse de machine à glaçons (le joint peut déjà être installé sur le tube de remplissage). Si ce n'est pas déjà fait, faire glisser le joint sur l'extrémité du tube de remplissage.
2. Insérer le tube de remplissage à travers le trou à l'arrière du réfrigérateur ; le bec verseur doit être orienté vers le bas. Fixer le tube de remplissage avec deux vis de tôlerie à tête hexagonale de 1/2 po.



Installation de l'ensemble tube de remplissage/joint

Voir le schéma adjacent au sujet de l'étape suivante. Il sera nécessaire de travailler à l'intérieur du compartiment de congélation.

1. Installer l'extension de plastique - faire glisser le composant d'extension sur le tube de remplissage, aussi loin qu'il peut aller.

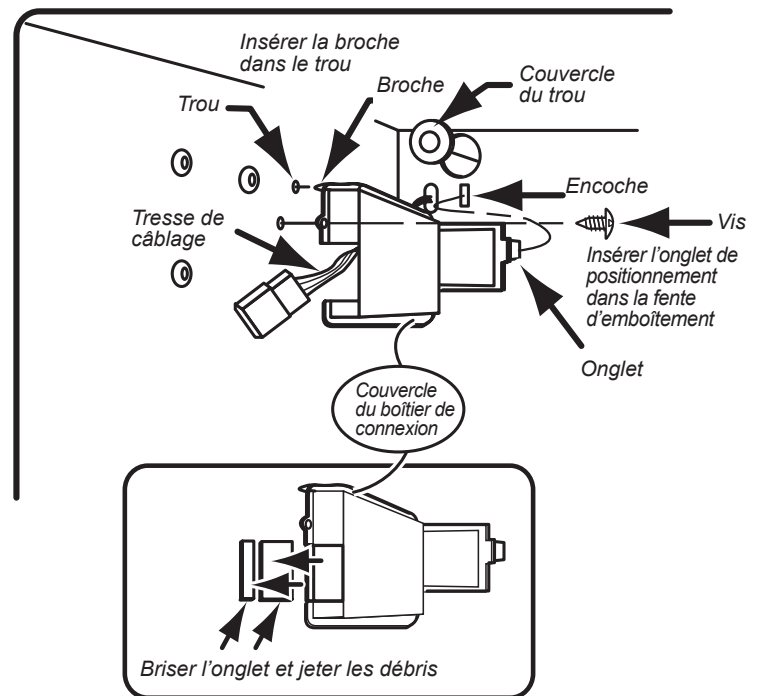


Installation de l'extension longue du tube de remplissage

Voir le schéma adjacent au sujet de l'étape suivante.

2. Positionner la tresse de câblage pour la placer à travers l'ouverture du couvercle du logement du câblage. Insérer l'onglet de positionnement qui se trouve à l'arrière du couvercle du logement du câblage dans la fente d'emboîtement correspondant sur la doublure du congélateur. Enfoncer la broche (sur le côté du couvercle du logement du câblage) dans le trou (sur le côté de la doublure du congélateur); veiller à obtenir un bon emboîtement. Fixer le couvercle du logement du câblage avec la vis qui avait été déposée précédemment.

Passer à la section « Installation des agrafes du tube de cuivre malléable » à la page 30.

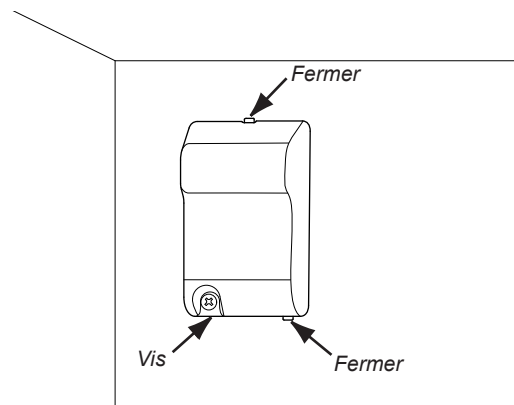


Couvercle du logement du câblage de la machine à glaçons

Modèles à congélateur en haut/vertical

Voir les schémas adjacents au sujet des 2 étapes suivantes. Il sera nécessaire de travailler à l'intérieur du compartiment de congélation.

- Pour un modèle avec couvercle de câblage surélevé :**
Ôter la vis de fixation du couvercle du logement du câblage de la machine à glaçons.
Appuyer en haut et en bas pour libérer et dégager les pattes de positionnement.
Ôter et jeter le couvercle du logement du câblage de la machine à glaçons.

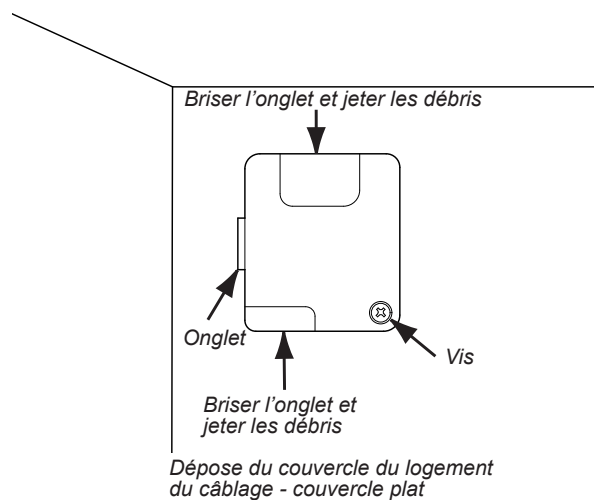


Dépose du couvercle du logement du câblage - couvercle surélevé

Pour un modèle avec couvercle plat :

Ôter la vis de fixation du couvercle du logement du câblage de la machine à glaçons.
Décrocher l'onglet de positionnement du côté du bord du couvercle arrière. Ôter le couvercle du logement du câblage de la machine à glaçons.
Examiner le côté arrière du couvercle plat du logement du câblage, et noter les rainures. Utiliser une pince et exercer des flexions alternées au niveau des rainures pour briser le matériau et détacher la partie amovible.

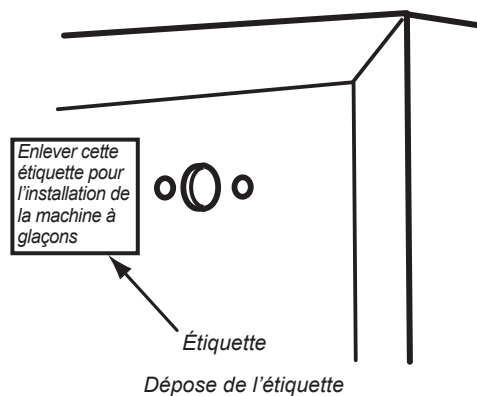
- Tirer le câblage de la machine à glaçons aussi loin que possible depuis le panneau arrière du congélateur, et placer le câblage en suspension sur le bord de l'ouverture découpée. Ne faire sortir aucun autre élément de câblage à travers l'ouverture découpée.



Dépose du couvercle du logement du câblage - couvercle plat

Voir les schémas adjacents au sujet de l'étape suivante. Il sera nécessaire de travailler à l'arrière de la caisse du réfrigérateur.

- À l'arrière de la caisse du réfrigérateur, décoller l'étiquette qui recouvre le trou de passage du tube de remplissage.



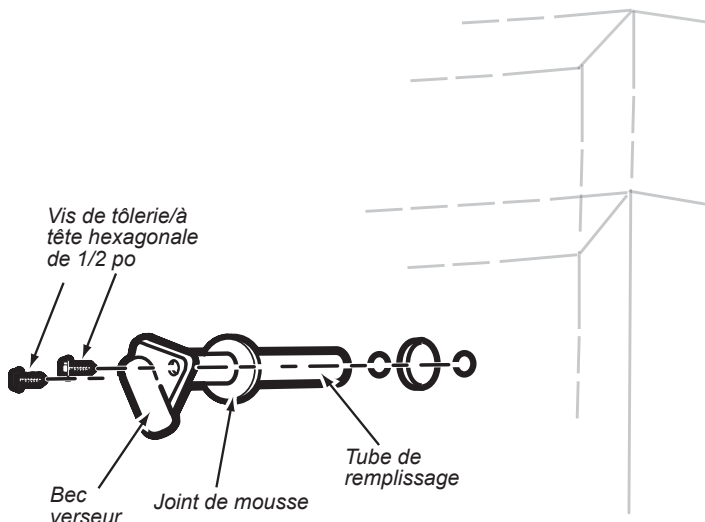
Modèles à congélateur en haut/vertical (suite)

Voir les schémas adjacents au sujet des étapes suivantes.

1. Localiser le tube de remplissage et le joint rond en mousse de la trousse de machine à glaçons (le joint peut déjà être installé sur le tube de remplissage). Si ce n'est pas déjà fait, faire glisser le joint sur l'extrémité du tube de remplissage. Insérer le tube de remplissage à travers le trou à l'arrière du réfrigérateur ; le bec verseur doit être orienté vers le bas. Fixer le tube de remplissage avec deux vis de tôle/à tête hexagonale de 1/2 po.

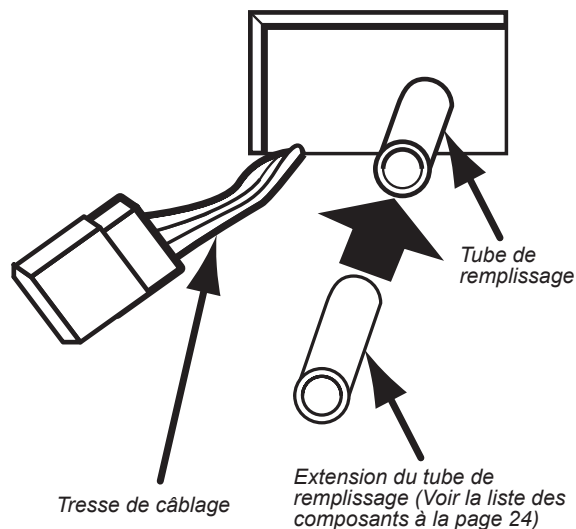
Voir les schémas adjacents au sujet des étapes suivantes. Il sera nécessaire de travailler à l'intérieur du compartiment de congélation.

1. Enfiler l'extension en plastique du tube de remplissage (voir la liste des composants à la page 24) sur l'extrémité du tube de remplissage, aussi loin qu'elle peut aller (voir DÉTAIL A).
REMARQUE : L'extension en plastique du tube de remplissage n'est pas nécessaire pour un modèle avec goulotte de remplissage.
2. **Couvercle du logement du câblage - couvercle plat** : Installer le couvercle du logement du câblage par-dessus le tube de remplissage - faire passer la tresse de câblage à travers l'ouverture de passage. Insérer l'onglet de positionnement sur le côté du couvercle du logement du câblage dans la fente d'emboîtement correspondant dans le panneau arrière du congélateur ; assujettir le couvercle avec la vis déposée précédemment (voir DÉTAIL B).



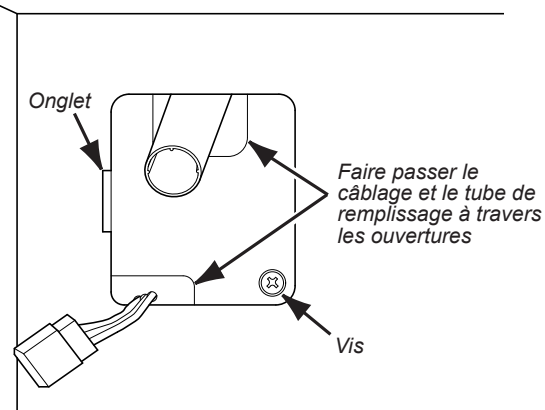
Installation de l'ensemble tube de remplissage/joint

DÉTAIL A



Installation de l'extension du tube de remplissage

DÉTAIL B

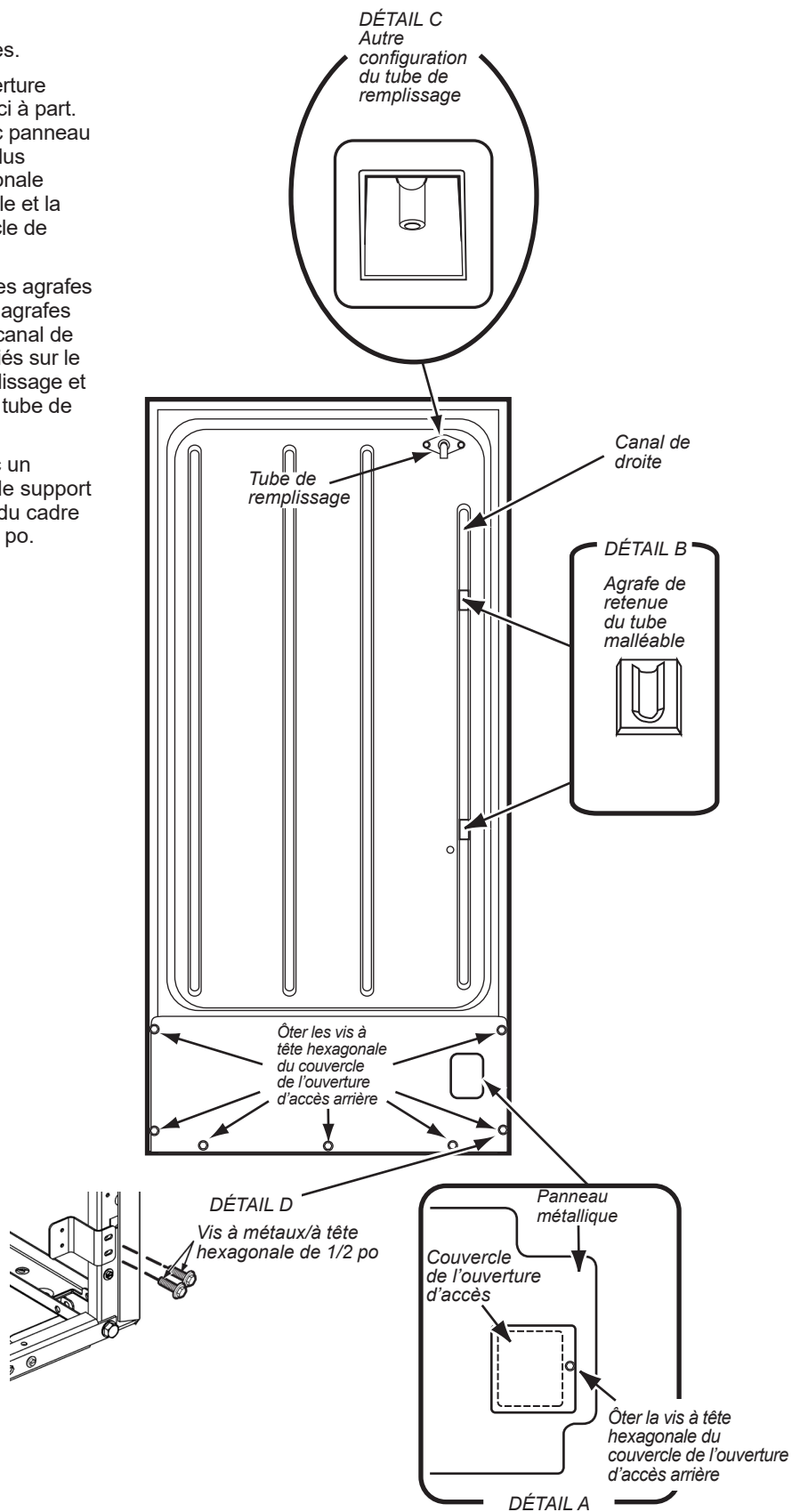


Réinstallation du couvercle plat

Installation des agrafes de retenue du tube de cuivre malléable

Voir les schémas adjacents au sujet des étapes suivantes.

1. Ôter les vis à tête hexagonale du couvercle de l'ouverture d'accès arrière ; ôter le couvercle et conserver celui-ci à part.
REMARQUE : Dans le cas d'un appareil récent avec panneau métallique et d'un couvercle de l'ouverture d'accès plus petit séparé (voir DÉTAIL A), ôter la vis à tête hexagonale du couvercle de l'ouverture d'accès. Jeter le couvercle et la vis. Ne pas ôter les vis à tête hexagonale du couvercle de l'ouverture d'accès de plus grande taille.
2. Ôter la feuille de protection de la surface adhésive des agrafes de retenue du tube de cuivre malléable. Apposer les agrafes contre l'arrière de la caisse du réfrigérateur, dans le canal de droite, approximativement aux emplacements identifiés sur le DÉTAIL B. Centrer les agrafes entre le tube de remplissage et le sommet de l'ouverture d'accès. Une autre type de tube de remplissage est illustrée dans le DÉTAIL C.
3. Pour les modèles à compartiments juxtaposés avec un couvercle de l'ouverture d'accès en métal, installer le support de l'électrovanne d'eau dans les trous de montage du cadre de la caisse au moyen de deux vis à métaux de 1/2 po. Voir DÉTAIL D.



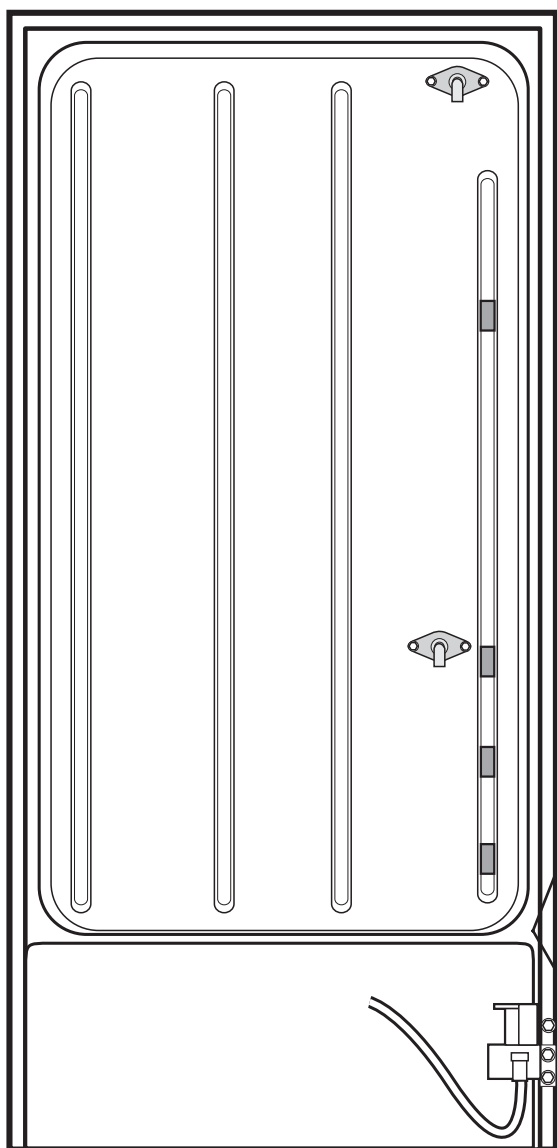
Installation des agrafes de retenue du tube de cuivre malléable

Montage de l'électrovanne d'admission d'eau

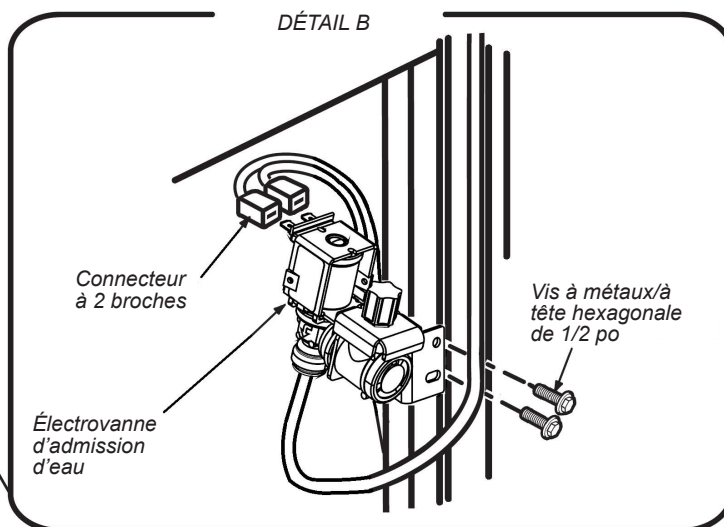
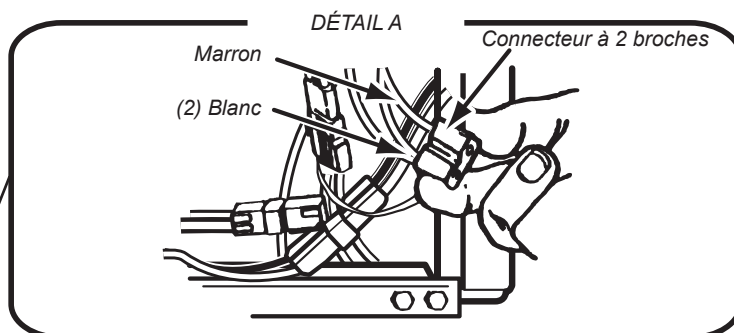
Voir le diagramme ci-dessous au sujet des étapes suivantes.

1. Identifier le connecteur électrique à 2 broches de l'électrovanne d'admission d'eau (avec conducteur marron et deux conducteurs blancs) assujéti avec du ruban adhésif sur la tresse de câblage principale dans l'angle inférieur droit de l'ouverture d'accès arrière (voir DÉTAIL A).
2. Voir le DÉTAIL B - Brancher le connecteur sur les broches de connexion de l'électrovanne d'admission d'eau - enfoncer aussi loin que possible (si la tresse de câblage n'est pas suffisamment longue, briser le ruban adhésif qui l'assujettit à la tresse de câblage principale). On peut placer le connecteur avec les conducteurs à n'importe laquelle des bornes.
3. Voir le DÉTAIL B - Fixer l'électrovanne d'admission d'eau sur la caisse du réfrigérateur, avec deux vis à métaux/à tête hexagonale de 1/2 po - utiliser les trous de montage présents dans le châssis de la caisse du réfrigérateur. Veiller à bien serrer les deux vis de fixation.

REMARQUE : Pour les modèles à compartiments juxtaposés avec un couvercle d'accès en métal, l'électrovanne est montée sur le support de l'électrovanne précédemment installé au lieu d'être directement sur la caisse.



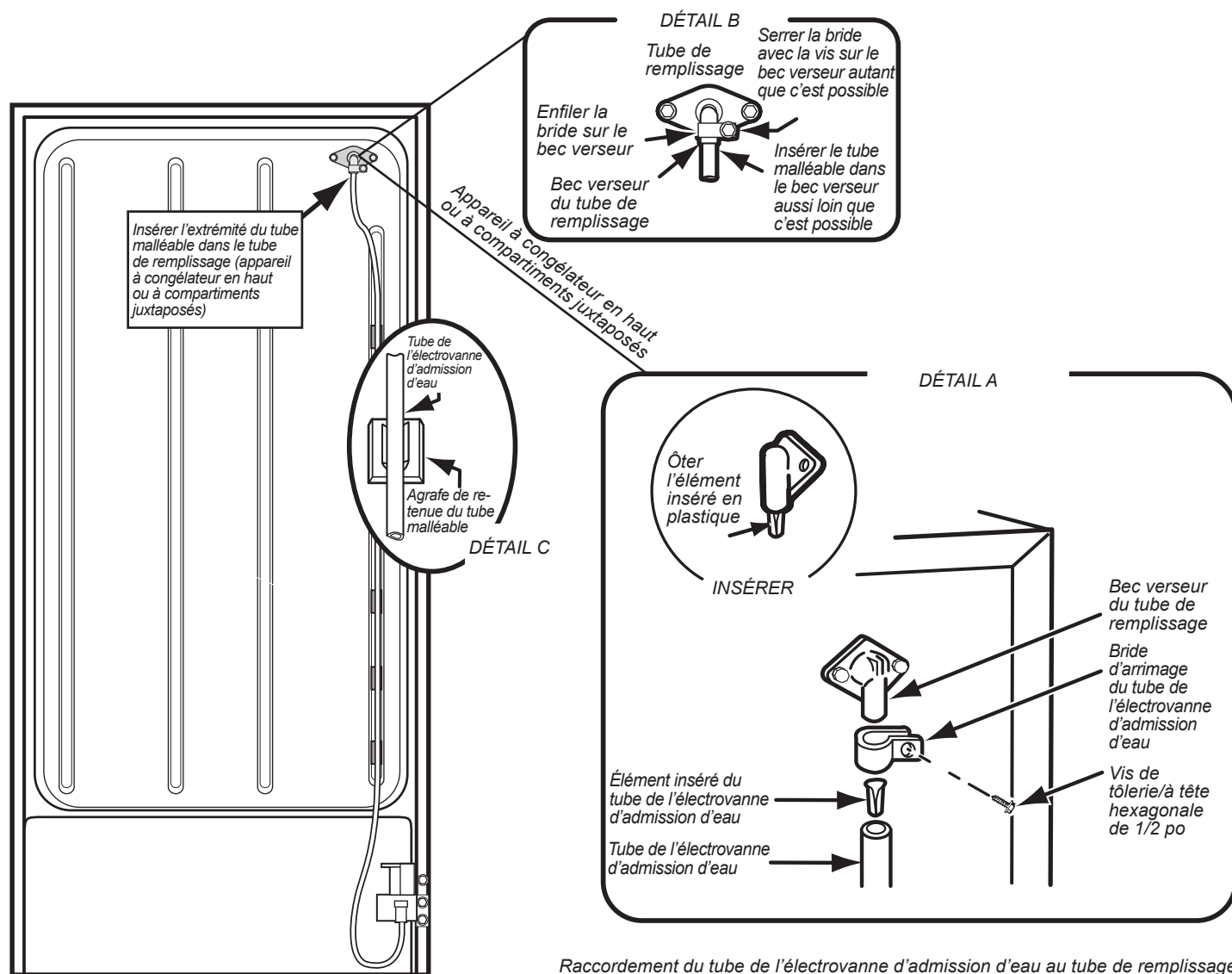
Montage de l'électrovanne d'admission d'eau



Raccordement du tube de l'électrovanne d'admission d'eau

Voir le diagramme ci-dessous au sujet des étapes suivantes.

1. Voir l'illustration DÉTAIL A - Extraire l'élément inséré en plastique du bec verseur du tube de remplissage ; jeter cet élément inséré.
2. Trouver la bride d'arrimage du tube de l'électrovanne d'admission d'eau (dans l'ensemble de la machine à glaçons); noter que l'un des trous est conçu pour recevoir une vis filetée, et que l'autre trou est lisse. Positionner la bride pour que le trou lisse soit orienté vers le haut ; enfilez la bride sur l'extrémité du bec verseur (voir DÉTAILS A et B). Insérer une vis de tôlerie/à tête hexagonale de 1/2 po dans la bride ; visser avec les doigts aussi loin que possible ; on serrera cette vis plus tard.
3. Voir le DÉTAIL A - Positionner l'élément inséré métallique du tube d'arrivée d'eau selon l'indication de l'illustration ; enfoncer complètement l'élément inséré dans le tube de l'électrovanne d'admission d'eau.
4. Voir les DÉTAILS B - Insérer l'extrémité du tube de cuivre malléable dans l'extrémité du bec verseur du tube de remplissage (aussi loin qu'il peut aller) (si le tube de cuivre malléable semble ne pas être suffisamment long, tirer le tube autant que c'est nécessaire à travers les agrafes, puis serrer au maximum la vis de serrage de la bride d'arrimage du tube de cuivre malléable. Tirer fermement sur le tube pour vérifier qu'il est solidement enfoncé. Si le tube glisse hors du bec verseur, réinsérer le tube dans le bec verseur et serrer encore la bride, jusqu'à ce que le tube de cuivre malléable soit solidement fixé.
5. Emboîter le tube de cuivre malléable dans les deux agrafes (voir DÉTAIL C) installées précédemment à l'arrière de la caisse du réfrigérateur. On connectera plus tard l'extrémité libre du tube de cuivre malléable.
6. Tirer tout excès de tube malléable près du tube de remplissage, vers le bas/à travers les deux brides, pour former un segment rectiligne et une boucle en bas de l'électrovanne d'admission d'eau.

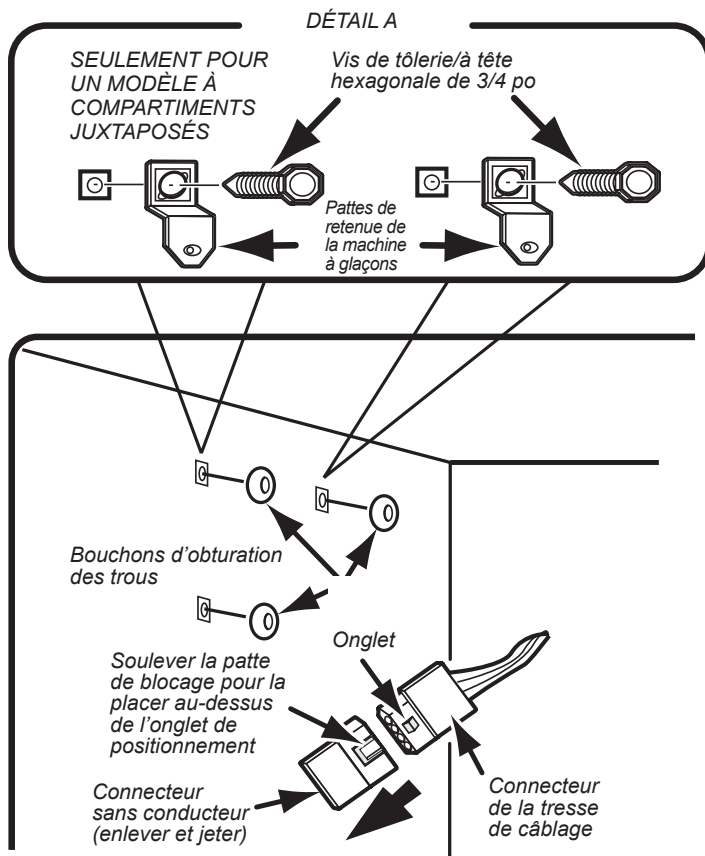


Raccordement du tube de l'électrovanne d'admission d'eau au tube de remplissage

Montage de la machine à glaçons

Voir le schéma adjacent au sujet des étapes suivantes.

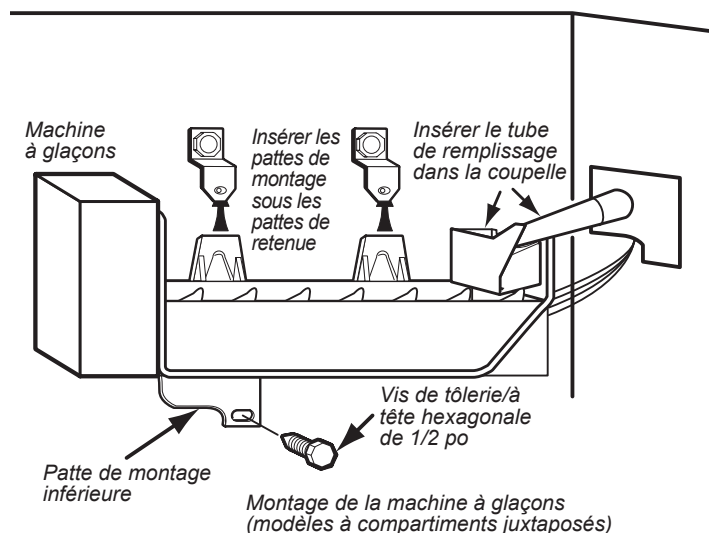
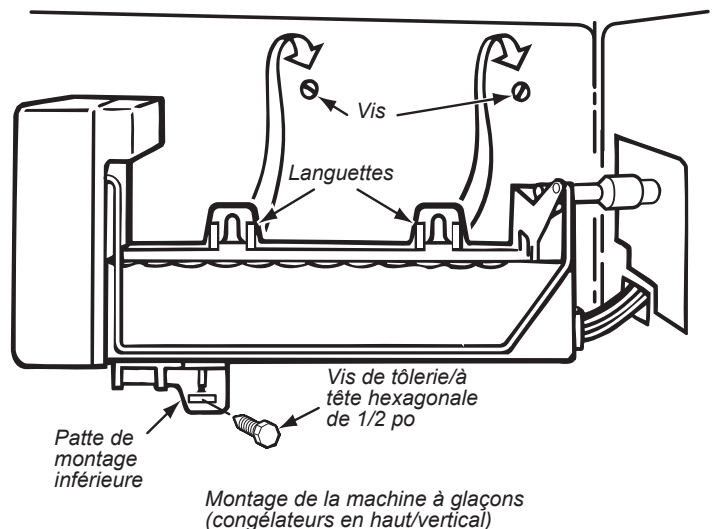
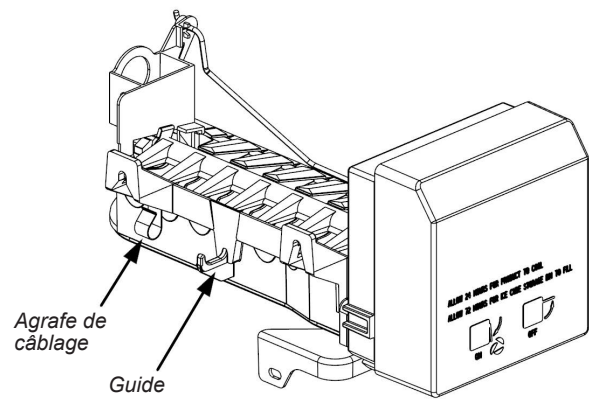
1. Ôter et jeter le connecteur sans conducteur de la tresse de câblage. Pour l'ôter, soulever la patte de blocage sur le côté du connecteur sans conducteur pour la placer au-dessus de l'onglet de positionnement du connecteur de la tresse de câblage, et tirer sur le connecteur sans conducteur pour l'enlever.
2. Insérer l'extrémité d'un petit tournevis à lame plate sous le bord de chaque bouchon dans les trois trous de montage de la machine à glaçons, sur le côté de la doublure du congélateur, et extraire chaque bouchon de son trou. Jeter les bouchons.
3. Seulement pour un modèle à congélateur en haut/vertical : Installer partiellement deux vis à tôle à tête hexagonale de 3/4 po dans les deux trous de montage supérieurs (illustrés sur le schéma) de la paroi interne du congélateur. L'on peut accrocher la machine à glaçons sur ces deux vis plus tard, alors s'assurer qu'elles sont suffisamment en saillie.
4. Seulement pour un modèle à compartiments juxtaposés : Voir le DÉTAIL A ; fixer les deux pattes de retenue de la machine à glaçons (présentes dans l'ensemble de la machine à glaçons); utiliser les trous de montage supérieurs dans la doublure du congélateur, et deux vis de tôlerie à tête hexagonale de 3/4 po. Veiller à ce que les deux pattes de retenue soient correctement orientées vers le bas, puis serrer les vis.



Installation des pattes de retenue de la machine à glaçons

Voir le schéma adjacent au sujet des étapes suivantes.

1. Prendre les deux faisceaux de cavaliers inclus dans la trousse et déterminer lequel peut se connecter au faisceau de câbles du congélateur. Jeter l'autre cavalier.
2. Connecter le faisceau de cavalier compatible au faisceau de câbles de la machine à glaçons. Faire passer les fils sur le guide et à travers l'agrafe de câblage dans la machine à glaçons.
3. Positionner la machine à glaçons à l'intérieur du compartiment de congélation, et raccorder/verrouiller ensemble son connecteur de câblage et le connecteur du faisceau de cavalier. Les connecteurs ne peuvent être raccordés que d'une seule façon.
4. Seulement pour un modèle à congélateur en haut/vertical : Suspendre la machine à glaçons sur les deux vis à tête hexagonale qui ont été installées précédemment. Veiller à ce que le trou de la patte de montage inférieure soit aligné avec le trou de montage dans la doublure du congélateur, puis serrer les deux vis supérieures à tête hexagonale. Veiller à ne pas serrer excessivement les vis.
5. Seulement pour un modèle à compartiments juxtaposés : Positionner la machine à glaçons de telle manière que les pattes de montage supérieure et inférieure soient à plat contre la paroi interne du congélateur. Centrer les pattes de montage supérieures sous les deux pattes de retenue, et pousser la machine à glaçons en ligne droite vers le haut pour emboîter les pattes de montage sur les pattes de retenue et obtenir le blocage approprié sur place (on doit percevoir le déclic lorsque l'emboîtement se produit).
6. Fixer la patte de montage inférieure de la machine à glaçons sur la doublure du congélateur - utiliser le trou de montage dans la doublure de l'appareil et une vis de tôlerie/à tête hexagonale de 1/2 po.
7. Vérifier que l'extension du tube de remplissage d'eau atteint la cuvette de remplissage de la machine à glaçons. Installer une extension différente de la trousse si celle précédemment sélectionnée est trop longue ou trop courte pour distribuer l'eau dans la cuvette de remplissage avec la machine à glaçons montée.



Raccordement à la conduite d'eau

Lire toutes les instructions avant de commencer.

IMPORTANT :

- Brancher sur une alimentation en eau potable uniquement.

Ne pas utiliser pour le filtrage d'une eau microbiologiquement polluée ou de qualité inconnue en l'absence d'un dispositif de désinfection adéquat avant ou après le système. Les systèmes certifiés pour la réduction de kyste peuvent être utilisés pour l'eau désinfectée qui peut contenir des kystes filtrables.

- Réaliser l'installation de plomberie conformément aux prescriptions du International Plumbing Code et des normes et codes locaux en vigueur.
- Il est possible d'utiliser des raccords en cuivre ou en polyéthylène réticulé pour le raccordement de la conduite d'eau du domicile au réfrigérateur ; ils contribuent à éviter que l'eau ait un goût ou une odeur désagréable. Vérifier qu'il n'y a pas de fuites.
- Si on utilise un tube en polyéthylène réticulé au lieu d'un tube en cuivre, nous recommandons les numéros de pièce suivants : W10505928RP (PEX chemisé de 7 pi [2,14 m]), 8212547RP (PEX de 5 pi [1,52 m]), ou W10267701RP (PEX de 25 pi [7,62 m]).
- Installer des tubes seulement là où les températures resteront au-dessus du point de congélation.

Outils requis :

Rassembler les outils et pièces nécessaires avant d'entreprendre l'installation.

- Tournevis à tête plate
- Clés plates de 7/16 po et 1/2 po ou 2 clés à molette
- Tourne-écrou de 1/4 po

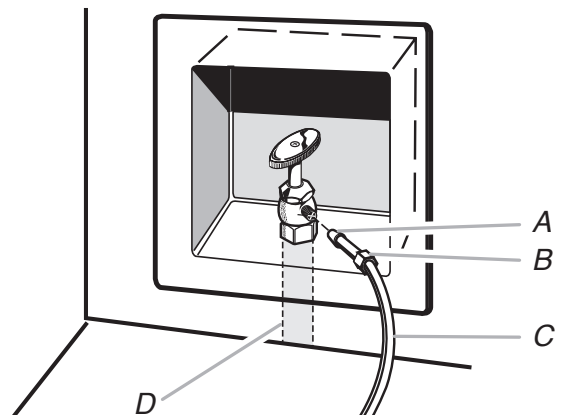
REMARQUE : Ne pas employer de robinet d'arrêt à étrier de 3/16 po (4,76 mm) ou de type à percer, car cela réduit le débit d'eau et augmente le risque d'obstruction.

Raccordement à la conduite d'eau

IMPORTANT : Si le réfrigérateur est mis en marche avant de raccorder la conduite d'eau, mettre la machine à glaçons à l'arrêt.

1. Débrancher le réfrigérateur ou déconnecter la source de courant électrique.
2. Couper l'alimentation principale en eau. Ouvrir le robinet le plus proche suffisamment longtemps pour réduire la pression de l'eau dans la conduite d'eau.
3. Utiliser un robinet d'arrêt quart de tour ou équivalent alimenté par une conduite d'alimentation domestique de 1/2 po.

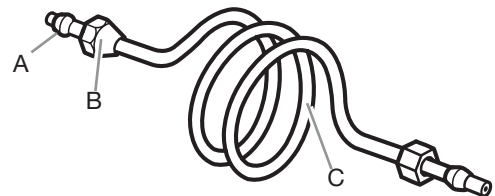
REMARQUE : Pour que le réfrigérateur reçoive un débit d'eau suffisant, on recommande l'emploi d'une conduite d'alimentation domestique en cuivre de 1/2 po (12,7 mm).



A. Manche
B. Écrou

C. Tube en cuivre (jusqu'au réfrigérateur)
D. Conduite d'alimentation du domicile (1/2 po minimum)

4. Il est maintenant possible de connecter le tube en cuivre au robinet d'arrêt. Utiliser un tube en cuivre de 1/4 po (6,35 mm) (diamètre externe) pour raccorder le robinet d'arrêt au réfrigérateur.
5. S'assurer d'avoir la longueur nécessaire pour une installation correcte. Il faut s'assurer que les deux extrémités du tube en cuivre sont bien coupées à angle droit.
6. Installer la bague et l'écrou à compression sur le tube en cuivre comme indiqué. Insérer l'extrémité du tube aussi profondément que possible dans l'extrémité de sortie et à l'équerre. Visser l'écrou de compression sur l'extrémité de sortie du raccord à l'aide d'une clé à molette. Ne pas serrer excessivement.



A. Bague de compression
B. Écrou de compression
C. Tube en cuivre

7. Placer l'extrémité libre du tube dans un contenant ou un évier et rétablir l'alimentation principale en eau pour nettoyer le tuyau jusqu'à ce que l'eau soit limpide. Fermer le robinet d'arrêt sur le tuyau d'alimentation en eau.

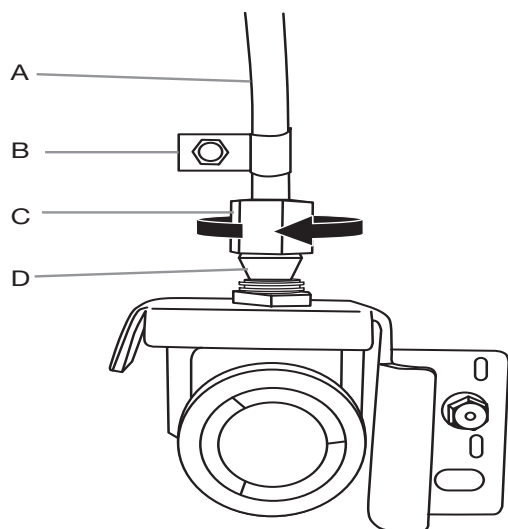
Remarque : Toujours vidanger la conduite d'alimentation en eau avant de faire le raccordement final sur l'entrée du robinet pour éviter tout mauvais fonctionnement éventuel du robinet.

8. Courber le tube en cuivre de façon à le raccorder à l'arrivée de la conduite d'eau située à l'arrière de la caisse du réfrigérateur, comme illustré. Laisser une partie du tube en cuivre enroulée pour permettre de dégager le réfrigérateur de la caisse ou du mur en cas de dépannage.

Raccordement au réfrigérateur

Suivre les instructions relatives au modèle utilisé pour le raccordement.

1. Ôter le bouchon de plastique de l'orifice d'entrée d'eau. Raccorder le tube en cuivre au robinet d'arrivée d'eau à l'aide d'un écrou et d'une bague de compression, comme illustré. Serrer l'écrou de compression. Ne pas serrer excessivement. Vérifier la solidité du raccordement en tirant sur le tube en cuivre.
2. Créer une boucle de service avec le tube en cuivre. Éviter de déformer le tube en cuivre en l'enroulant. Fixer le tube en cuivre au panneau arrière avec une pince en « P », en utilisant la vis d'origine dans la fente du panneau au-dessus de l'électrovanne.



A. Tube en cuivre

B. Bride en « P »

C. Écrou à compression

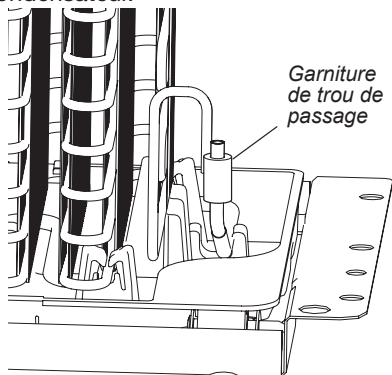
D. Bague de compression

3. Ouvrir l'arrivée d'eau alimentant le réfrigérateur et vérifier l'absence de fuites. Éliminer toute fuite détectée.

Installation finale

Installation du couvercle de l'ouverture d'accès et formage du tube de cuivre malléable

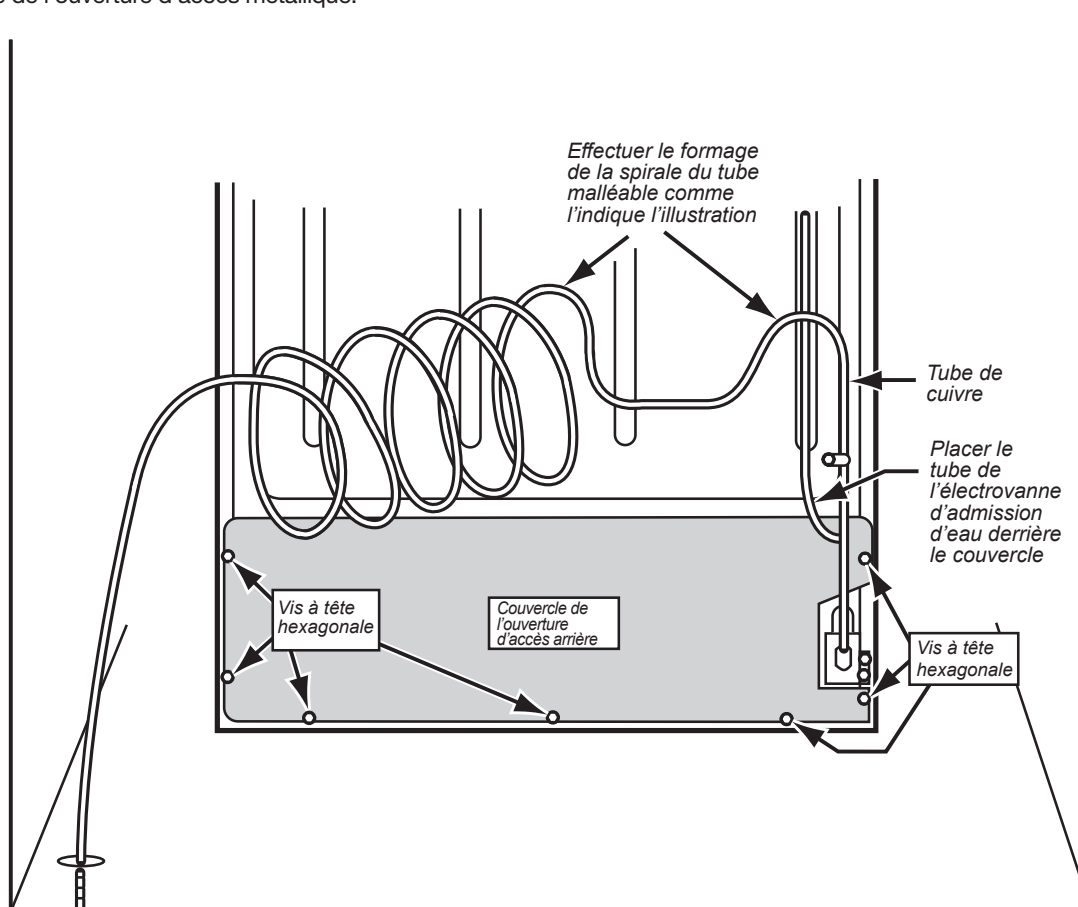
1. Modèles de congélateur en haut seulement : Ajouter l'œillet au condensateur pour éviter le contact entre la valve et la zone du condensateur.



2. Réinstaller le couvercle de l'ouverture d'accès arrière sur le réfrigérateur – il faudra que le tube de l'électrovanne d'admission d'eau soit à l'intérieur sous le couvercle, et que la conduite d'arrivée d'eau en cuivre soit à l'extérieur (voir le diagramme ci-dessous); fixer ensuite le couvercle avec les vis à tête hexagonale qui ont été déposées précédemment.

REMARQUE : Pour les modèles à compartiments juxtaposés, faire passer doucement le tube en plastique à travers la fente du couvercle de l'ouverture d'accès métallique.

3. Former une spirale avec le tube de cuivre malléable, à partir de l'électrovanne d'admission d'eau, comme on le voit sur l'illustration. Positionner la spirale de tube de cuivre malléable près du centre de l'appareil, pour que la spirale puisse se déployer et se contracter en « accordéon » (voir le diagramme ci-dessous) lorsqu'on écarte l'appareil du mur et lorsqu'on le rapproche du mur.



Installation du couvercle de l'ouverture d'accès et formage du tube de cuivre malléable

Rétablissement de l'alimentation électrique/ réglage de l'aplomb de l'appareil

⚠ AVERTISSEMENT



Risque de choc électrique

Brancher sur une prise à 3 alvéoles reliée à la terre.

Ne pas enlever la broche de liaison à la terre.

Ne pas utiliser un adaptateur.

Ne pas utiliser un câble de rallonge.

Le non-respect de ces instructions peut causer un décès, un incendie ou un choc électrique.

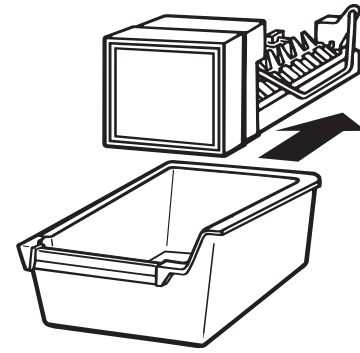
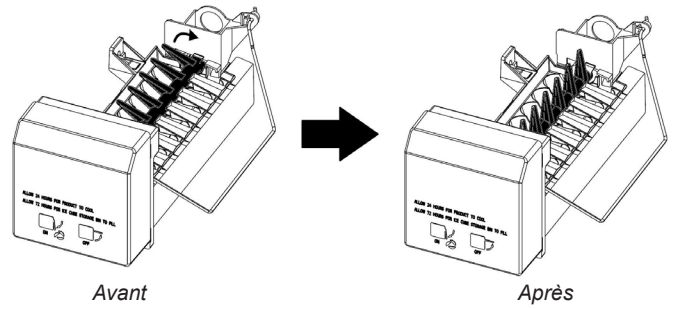
1. Brancher le cordon d'alimentation sur la prise de courant CA et pousser doucement le réfrigérateur contre le mur.
2. Placer un niveau au sommet de la caisse. S'il est nécessaire d'ajuster l'aplomb du réfrigérateur, employer le processus de réglage des roulettes avant, décrit dans le « Guide d'utilisation ».
3. Vérifier la position de la machine à glaçons. Si l'appareil n'est pas d'aplomb et doit être ajusté, desserrer la vis du support inférieur et positionner la machine à glaçons à votre guise, puis serrer la vis du support.

Mise en marche de la machine à glaçons

1. **IMPORTANT** : S'assurer que la lampe du congélateur est allumée et que la porte du congélateur reste ouverte avant d'effectuer cette étape. Faire pivoter manuellement les doigts d'éjection de 60 degrés vers une orientation verticale. Pour éviter d'endommager la machine à glaçons, les doigts d'éjection ne doivent être tournés que dans le sens horaire (voir l'illustration).

2. Laver le panier à glaçons, et faire glisser le bac sous la machine à glaçons (voir le schéma adjacent) aussi loin qu'il peut aller. Le panier à glaçons reposera sur le sommet de la tablette du congélateur.

IMPORTANT : Dans le cas d'un appareil à congélateur en haut, sans étagère de pleine largeur dans le congélateur, il sera nécessaire de placer le panier à glaçons au sommet de l'étagère inversée des casiers à glaçons. Tout d'abord, positionner l'étagère du casier à glaçons face vers le bas, pour que le côté le plus court soit placé le long de la paroi du congélateur (voir DÉTAIL A). Insérer ensuite les onglets de positionnement (sur le côté le plus court de l'étagère) dans les fentes d'emboîtement sur le bord du plancher du congélateur ; ceci permettra de maintenir la tablette à la bonne position. Ensuite, placer le panier à glaçons au sommet de la tablette inversée des plateaux à glaçons et faire glisser le panier sous la machine à glaçons (voir le schéma adjacent). La machine à glaçons ne peut pas fonctionner correctement si le panier à glaçons est placé directement sur le plancher du congélateur.



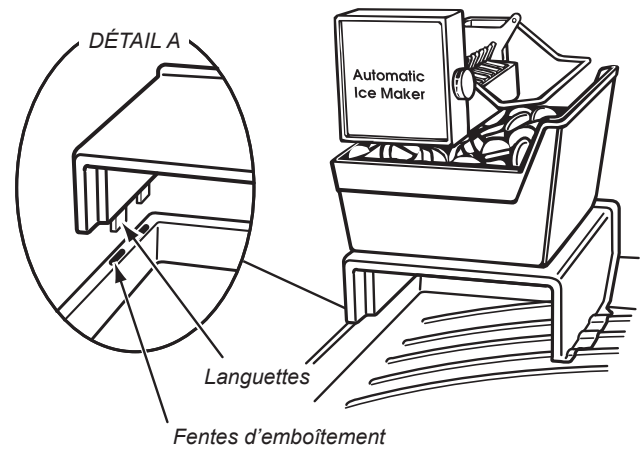
Installation du panier à glaçons

3. Remettre dans le compartiment de congélation les articles alimentaires qui avaient été retirés précédemment.

4. Abaisser le bras de commande de la machine à glaçons (voir le diagramme adjacent) à sa position de fonctionnement (On) et fermer la porte du congélateur. La machine à glaçons commencera à produire des glaçons dans les 24 heures.

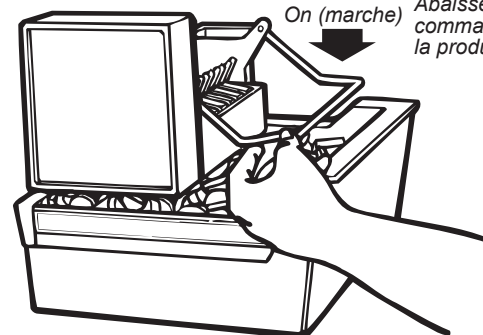
REMARQUE : Il faut généralement attendre environ 24 heures pour que la machine à glaçons commence à produire des glaçons. Lorsque de la glace est disponible, on remarquera peut-être une « saveur inhabituelle » ; si c'est le cas, jeter les deux ou trois premiers lots de glaçons produits ; après cela, la « saveur inhabituelle » observée devrait disparaître. En cas de problème, consulter la section « Dépannage ».

Ceci termine le processus d'installation de la machine à glaçons.



↑
Off (arrêt) Lever le bras de commande pour provoquer l'arrêt de la génération de glaçons

↓
On (marche) Abaisser le bras de commande pour amorcer la production de glaçons



Mise en marche de la machine à glaçons

Dépannage

Notes sur le fonctionnement de l'appareil

1. L'électrovanne de la machine à glaçons comporte un dispositif qui tient lieu de régulateur de pression et contrôle ainsi le débit d'eau. Pour que la machine à glaçons fonctionne correctement, il faut que la pression de l'eau dans le circuit de la résidence soit d'environ 20 à 120 livres par pouce carré (lb/po²). En cas de problème affectant la capacité de la machine à glaçons à produire de la glace, contacter la compagnie locale de distribution d'eau pour demander un contrôle de la pression de distribution.
2. L'électrovanne d'admission d'eau de la machine à glaçons est équipée de deux crépines : une crépine en plastique en forme de panier, et un tamis métallique ; pour le nettoyage des deux éléments de filtrage, fermer l'arrivée d'eau et démonter l'électrovanne d'admission d'eau (ce travail peut être confié à un centre de service après-vente local). Si la qualité de l'eau distribuée localement nécessite l'exécution d'un nettoyage périodique, ou si l'eau utilisée provient d'un puits, il pourra être utile d'installer un second dispositif de filtrage de l'eau dans la conduite d'arrivée d'eau. On peut acquérir un dispositif de filtrage de l'eau chez un revendeur local d'appareils ménagers.

Tableau de diagnostic/dépannage

Le tableau qui suit décrit quelques problèmes usuels qui peuvent survenir et affecter la machine à glaçons.

PROBLÈME	CAUSE
Bruit perceptible (un ou plusieurs des bruits suivants) : <ul style="list-style-type: none">■ Bourdonnement■ Écoulement d'eau lent■ Claquement (émanant des glaçons)	Fonctionnement de l'électrovanne d'admission d'eau. L'eau pénètre dans la coupelle de remplissage de la machine à glaçons. Déversement des glaçons dans le tiroir à glaçons.
Saveur de « pas frais » des glaçons.	Les glaçons sont vieux. Préparer un nouveau lot de glaçons.
Débordement d'eau dans la machine à glaçons.	Défaut d'aplomb du réfrigérateur ou de la machine à glaçons. Si on observe encore un débordement dans la machine à glaçons après le réglage de l'aplomb, fermer l'arrivée d'eau de la machine à glaçons (au niveau du robinet d'arrêt), et soulever le bras de commande de la machine à glaçons à la position d'arrêt « off » ; contacter ensuite le centre de dépannage local.
Quantité de glaçons insuffisante.	Le délai de remplissage du panier à glaçons est d'environ 72 heures. La machine à glaçons produit des glaçons à intervalles de 2 à 3 heures. Pour augmenter la production de glace, régler le thermostat du congélateur pour une plus basse température.
Arrêt de la production de glace.	Veiller à abaisser le bras de commande dans le panier à glaçons. Vérifier que le robinet d'arrêt de la conduite d'eau est ouvert. Le robinet d'arrêt de la conduite d'eau ou le tamis de filtrage de l'électrovanne d'admission d'eau est obstrué (contacter le centre local de service après-vente).

Información importante

La siguiente información se aplica a lo largo de toda la Guía de instalación. Léala detenidamente para familiarizarse con ella.

Su seguridad y la seguridad de los demás es muy importante.

Hemos incluido muchos mensajes importantes de seguridad en este manual y en su electrodoméstico. Lea y obedezca siempre todos los mensajes de seguridad.



Este es el símbolo de alerta de seguridad.

Este símbolo le llama la atención sobre peligros potenciales que pueden ocasionar la muerte o una lesión a usted y a los demás.

Todos los mensajes de seguridad irán a continuación del símbolo de advertencia de seguridad y de la palabra "PELIGRO" o "ADVERTENCIA". Estas palabras significan:

 **PELIGRO**

Si no sigue las instrucciones de inmediato, usted puede morir o sufrir una lesión grave.

 **ADVERTENCIA**

Si no sigue las instrucciones, usted puede morir o sufrir una lesión grave.

Todos los mensajes de seguridad le dirán el peligro potencial, le dirán cómo reducir las posibilidades de sufrir una lesión y lo que puede suceder si no se siguen las instrucciones.

- Esta Guía de instalación le provee las instrucciones completas sobre cómo instalar el juego de la fábrica de hielo en su refrigerador-congelador con fábrica de hielo y sobre cómo conectar la línea de agua en esta. Lea la guía y siga las instrucciones al pie de la letra. También asegúrese de observar todas las instrucciones de seguridad.
- **IMPORTANTE:** La línea de agua y la fábrica de hielo deben ser instaladas por un técnico de servicio calificado.
- Antes de comenzar a instalar el juego de la fábrica de hielo, deberá comprar un juego de tubería de cobre que incluya un "Conjunto de válvula común y abrazadera" (para los refrigeradores que tengan una fábrica de hielo automática o bandejas de llenado automático). El juego incluye todas las piezas de ferretería necesarias para conectar su fábrica de hielo al suministro de agua. Lo puede adquirir en cualquier ferretería o tienda de artículos de plomería.

NOTA: No use una válvula perforadora ni una válvula de cierre de 3/16". Estas reducen el flujo de agua a la fábrica de hielo y se obstruyen fácilmente.

No use tubería de polietileno para conectar la fábrica de hielo a la línea de agua. Use solamente tubería de cobre de 1/4" de diámetro externo.

LA INSTALACIÓN POR PARTE DEL CLIENTE NO ESTÁ GARANTIZADA POR EL FABRICANTE DEL REFRIGERADOR NI EL DE LA FÁBRICA DE HIELO.

Antes de comenzar

Herramientas

Reúna las herramientas y piezas necesarias antes de comenzar la instalación. Lea y siga las instrucciones provistas con cualquiera de las herramientas detalladas aquí.

1. Destornillador común
2. Destornillador Phillips
3. Llaves de extremo abierto de 7/16" y 1/2" (o una llave ajustable)
4. Pinzas
5. Llave para tuercas de 1/4"
6. Nivel pequeño manual (opcional)
7. Regla

Notas sobre la instalación

1. Siga las instrucciones detenidamente. Lea cada paso por completo para que lo entienda bien antes de realizarlo.
2. Las ilustraciones en esta Guía de instalación se han incluido para aclarar los pasos que debe realizar para la instalación. Consulte el diagrama que se muestra justo al lado o debajo del texto de cada uno de los pasos si requiere clarificación. Algunas ilustraciones también incluyen "DETALLES". Los DETALLES se incluyen en globos al lado de la ilustración más grande. Un DETALLE muestra una ilustración en primer plano de una porción en particular de un diagrama o de una ilustración de un paso específico que debe realizar. Los DETALLES están marcados como A, B o C y están claramente referenciados en cada paso.
3. Cuando se le indique que instale una pieza, colóquela como se muestra en la ilustración.

Componentes

Saque el contenido de la caja de envío y coloque los artículos sobre una mesa, en donde se puedan identificar y ubicar fácilmente. Revise que todos los componentes en el juego se encuentren en la lista a continuación para ayudarlo a familiarizarse con ellos. Cuando identifique un componente, ponga una palomita al lado (✓). Los números CLAVE corresponden a las "Ilustraciones de los componentes".

IMPORTANTE: Cuando retire la válvula de agua y el tubo flexible del empaque de espuma de poliestireno, no retire el tubo de la válvula. Se instaló de fábrica y es a prueba de fugas. No mueva la tuerca de compresión que conecta la tubería a la válvula, o la válvula puede tener fugas después de conectarla al suministro de agua.

No deseche el material de empaque hasta que haya confirmado que se incluyeron todos los componentes.

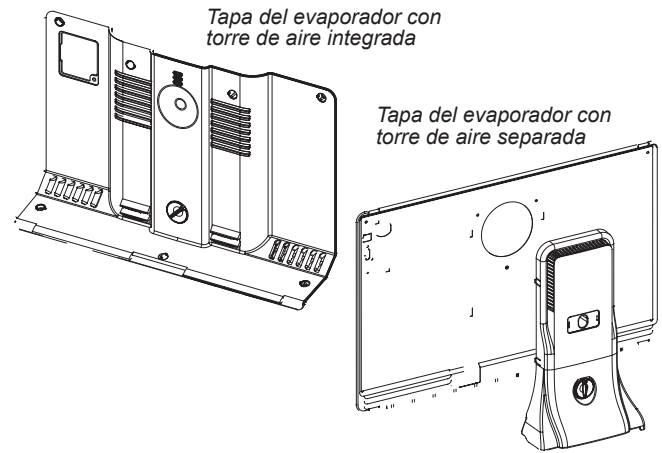
TECLA	CANT.	DESCRIPCIÓN
1	1	Fábrica de hielo
2	1	Balde de hielo con extensión
3	1	Válvula de agua con tubería
4	1	Tubo de llenado
5	1	Junta */** solo
6	1	Tubo de extensión de 71,6 mm (corto) **
7	1	Tubo de extensión de 152,1 mm (largo)*
8	2	Clips de la fábrica de hielo*
9	2	Clips de la tubería
10	1	Inserto de metal para la tubería de agua
11	1	Abrazadera para tubería de la válvula de agua
12	5	Tornillos de hoja de metal de cabeza hexagonal de 1/2"
13	4	Tornillo de cabeza hexagonal para máquina de 1/2"
14	2	Tornillos de hoja de metal de cabeza hexagonal de 3/4"
15	1	Tubo de extensión de 63,5 mm***/****
16	1	Tubo de extensión de 85,7 mm
17	1	Tubo de extensión de 123 mm
18	1	Ojal del condensador**
19	2	Arnés de puente
20	1	Abrazadera de la válvula de agua*
21	1	Protector de cables

* Para instalación en modelos de dos puertas únicamente.

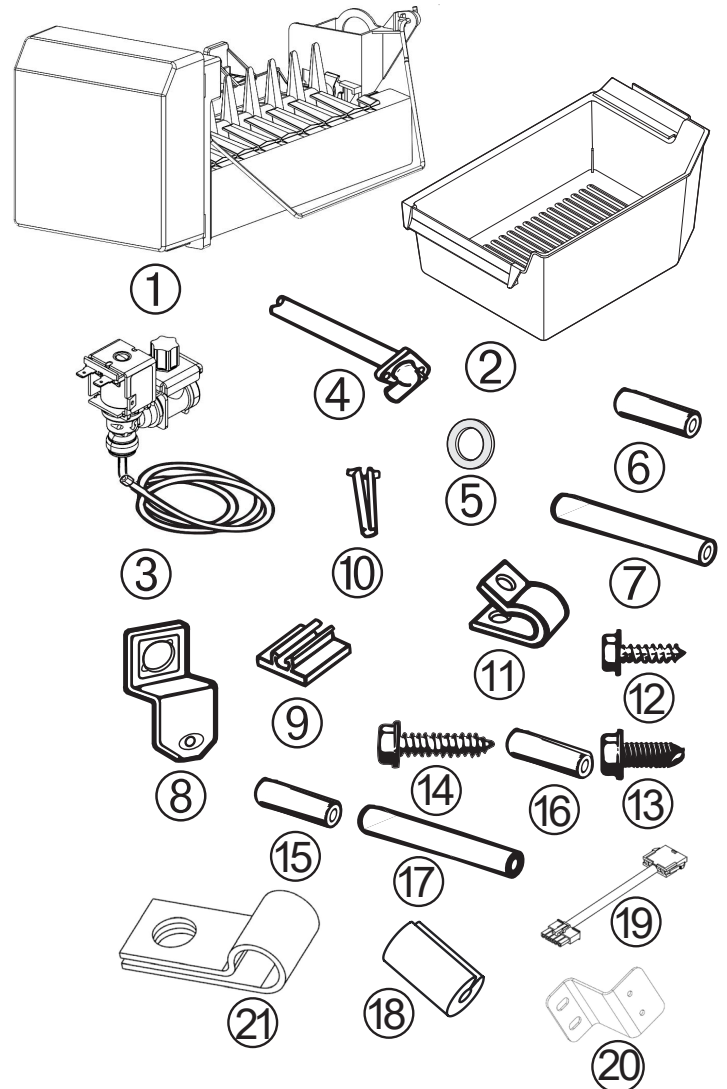
** Para instalación en modelos de congelador superior de 14 a 18 pies cúbicos.

*** Para instalación en modelos de congelador superior de 21 pies cúbicos.

**** Para instalación en modelos de congelador superior de 14 a 16 pies cúbicos. (Cubierta del evaporador con torre de aire integrada).



Ilustraciones de los componentes



Instalación de la fábrica de hielo

Pasos de preparación

⚠ ADVERTENCIA

Peligro de Peso Excesivo

Use dos o más personas para mover e instalar el refrigerador.

No seguir esta instrucción puede ocasionar una lesión en la espalda u otro tipo de lesiones.

Consulte la ilustración a continuación para los siguientes pasos.

1. Aleje el refrigerador de la pared para que pueda acceder fácilmente al panel posterior.

⚠ ADVERTENCIA



Peligro de Choque Eléctrico

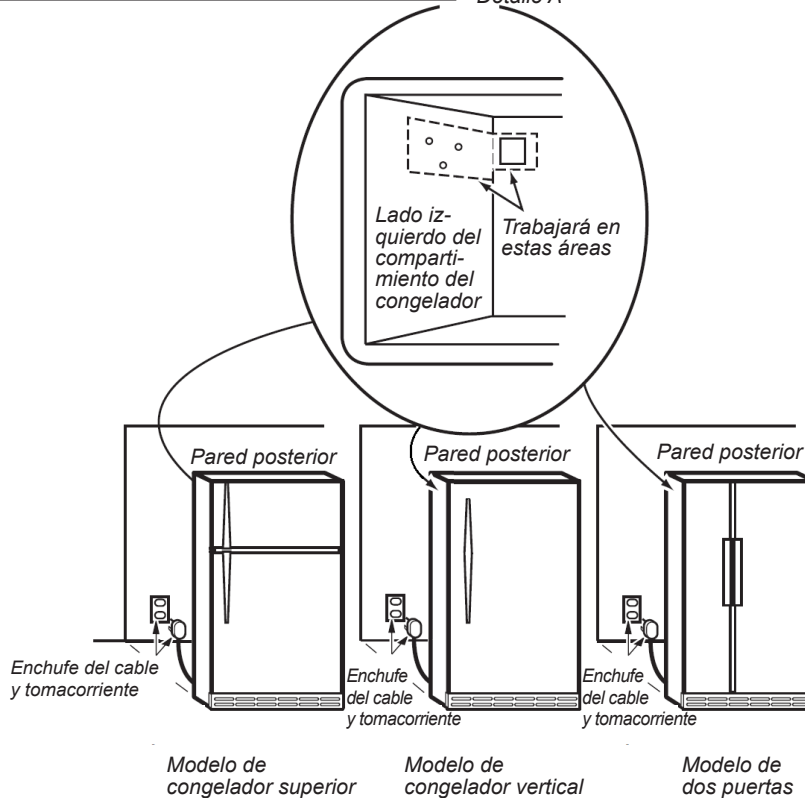
Desconecte el suministro de energía antes de instalar la fábrica de hielo.

No seguir esta instrucción puede ocasionar la muerte o choque eléctrico.

2. Desenchufe el refrigerador o desconecte el suministro de energía.
IMPORTANTE: Si tiene un refrigerador-congelador de modelo de dos puertas, asegúrese de que cuando abra la puerta del congelador para trabajar en el interior no fuerce la puerta contra el tope en la parte inferior de la puerta. Si dobla el tope, la puerta no cerrará adecuadamente.
3. En electrodomésticos con congelador superior, abra la puerta del congelador y saque todos los alimentos del compartimiento interior del congelador.
Para las unidades de dos puertas, solo tiene que quitar los alimentos de la mitad superior de la sección del congelador. Esto debe darle suficiente espacio para acceder a las áreas para instalar la fábrica de hielo.
4. En aquellos modelos con congelador en la parte superior, sin estante de ancho completo en el congelador, saque el estante de la bandeja para hielo. Coloque el estante a un lado; lo va a utilizar más adelante para apoyar el balde para hielo. Si tiene un refrigerador de dos puertas, proceda hasta "Modelos de dos puertas" en la página 45. Si tiene un refrigerador con un congelador en la parte superior o un congelador vertical, proceda hasta "Congelador modelo superior/vertical" en la página 47.

NOTA: El área de trabajo para los tres modelos de refrigerador-congelador se muestra en el DETALLE A a continuación.

Detalle A

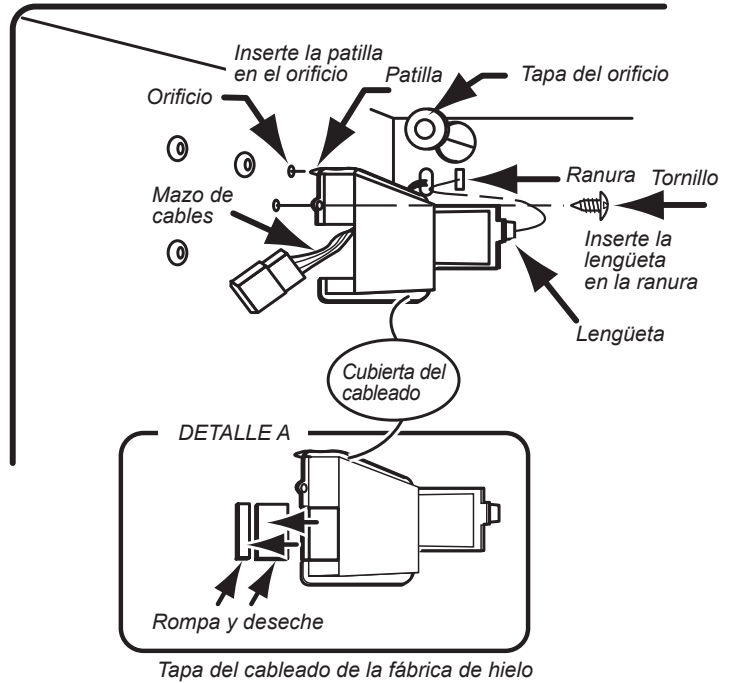


Áreas de trabajo en los tres modelos de refrigerador-congelador

Modelos de dos puertas

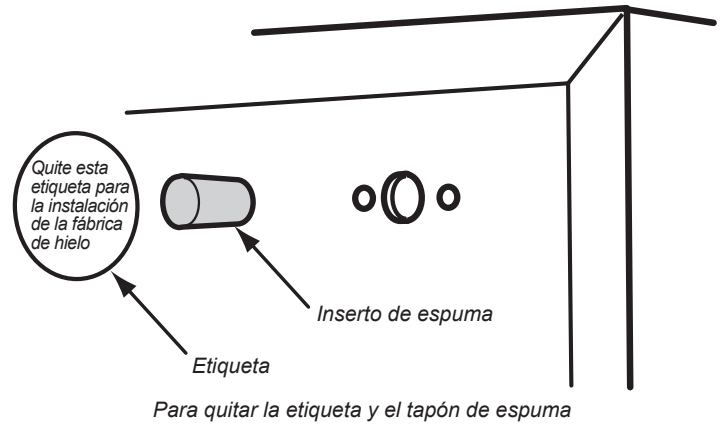
Consulte el diagrama lateral para los siguientes pasos.
Trabaja dentro del compartimiento del congelador.

1. Quite el tornillo de la tapa del cableado de la fábrica de hielo y quite la tapa.
2. Consulte el DETALLE A, y con un par de alicates, separe las lengüetas de la tapa del cableado y deséchelas.
3. Inserte la punta de un destornillador pequeño debajo del borde del tapón del orificio redondo para el tubo de llenado (ubicado en la parte posterior del revestimiento del congelador) y sáquelo haciendo palanca. Puede desechar el tapón.



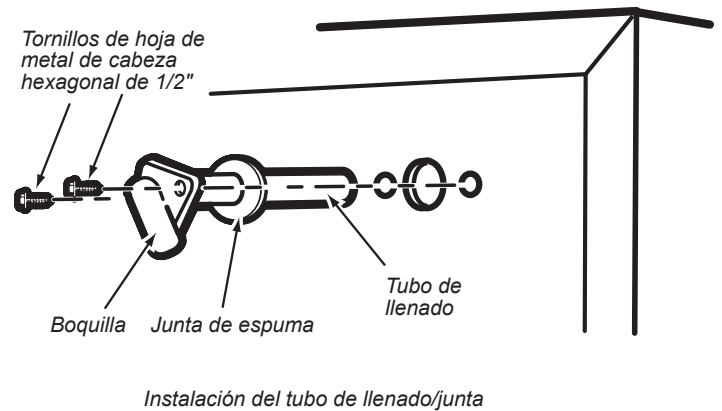
Consulte el diagrama lateral para los siguientes pasos.
Trabaja en el exterior en la parte trasera de la carcasa.

1. En la esquina superior derecha de la carcasa, quite la etiqueta que está sobre el orificio del tubo de llenado.
2. Saque el inserto de espuma del orificio del tubo de llenado y deséchelo.



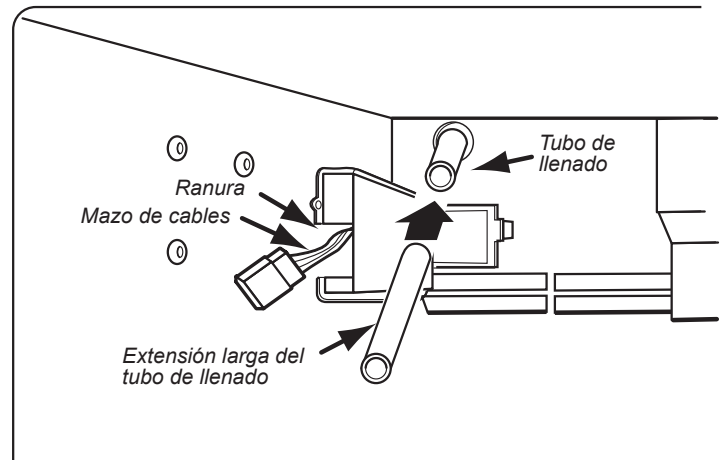
Consulte el diagrama lateral para los siguientes pasos.

1. Localice el tubo de llenado y la junta de espuma redonda del kit de la fábrica de hielo (es posible que la junta ya esté instalada en el tubo de llenado). Si no lo ha hecho, deslice la junta sobre el extremo del tubo de llenado.
2. Inserte el tubo de llenado a través del orificio en la parte trasera del refrigerador con el pico hacia abajo, y asegúrelo con dos tornillos de hoja de metal de cabeza hexagonal de 1/2".



Consulte el diagrama lateral para los siguientes pasos.
Trabaja dentro del compartimiento del congelador.

1. Instale la extensión de plástico larga deslizándola sobre el tubo de llenado tanto como sea posible.

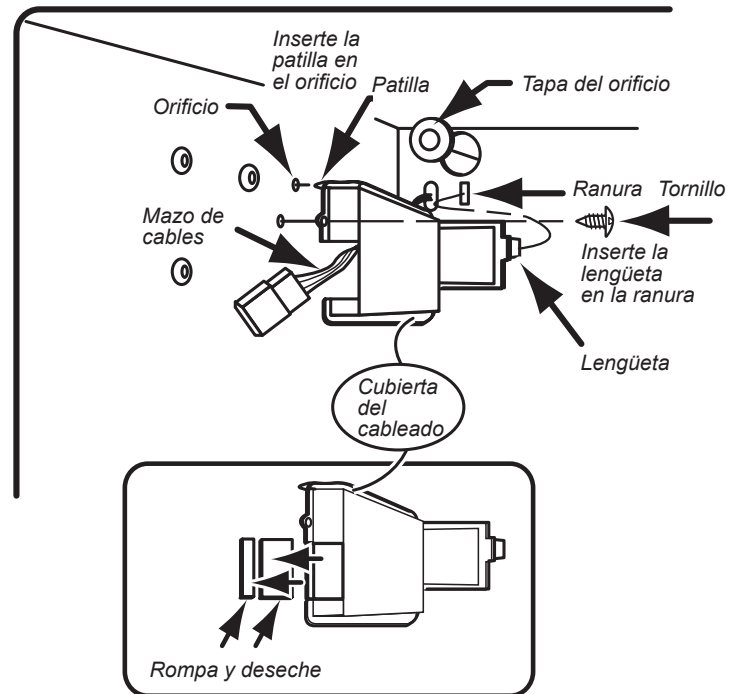


Instalación de la extensión larga del tubo de llenado

Vuelva a consultar el diagrama lateral para ver los pasos siguientes.

2. Coloque el mazo de cables de manera que pase a través de la ranura de la cubierta del cableado. Inserte la lengüeta en la parte posterior de la cubierta del cableado en la ranura del revestimiento del congelador. Oprima la patilla en el lado de la tapa del cableado en el orificio en el lado del revestimiento del congelador de manera que se traben en su lugar. Asegure la cubierta del cableado con el tornillo que quitó antes.

Proceda con la "Instalación de los clips de la tubería" en la página 49.

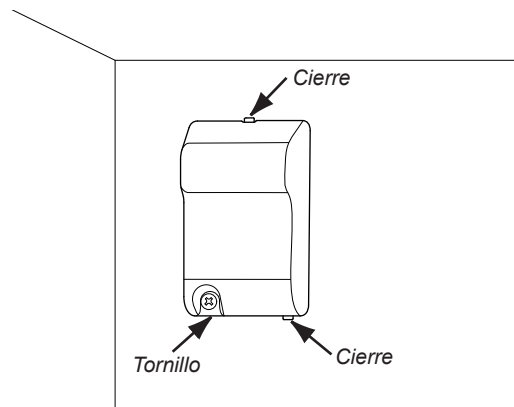


Tapa del cableado de la fábrica de hielo

Modelos de congelador superior/vertical

Consulte los diagramas laterales para ver los siguientes dos pasos. Trabaja dentro del compartimiento del congelador.

- 1. En los modelos con una cubierta de cableado elevada:**
Quite el tornillo de la cubierta del cableado de la fábrica de hielo.
Apriete la parte superior e inferior para aflojar los broches.
Retire y deseche la cubierta del cableado de la fábrica de hielo.

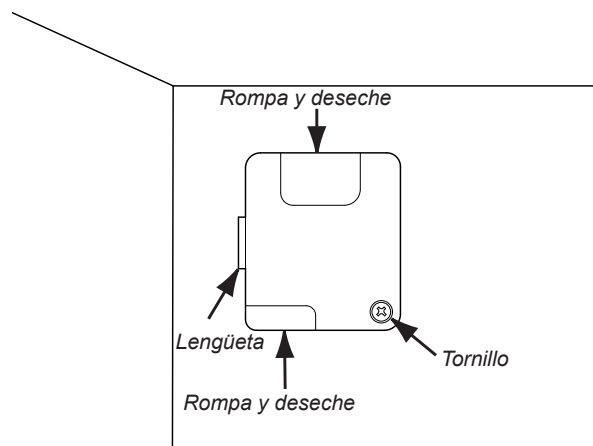


Para quitar cubierta elevada del cableado

En los modelos con una cubierta plana:

Quite el tornillo de la cubierta del cableado de la fábrica de hielo. Desenganche la lengüeta lateral del borde de la cubierta trasera. Retire la cubierta del cableado de la fábrica de hielo. Mire la parte posterior de la cubierta plana del cableado y observe las líneas ranuradas. Use un par de alicates y doble las áreas dentro de las líneas ranuradas hacia adelante y hacia atrás hasta que se desprendan de la cubierta del cableado.

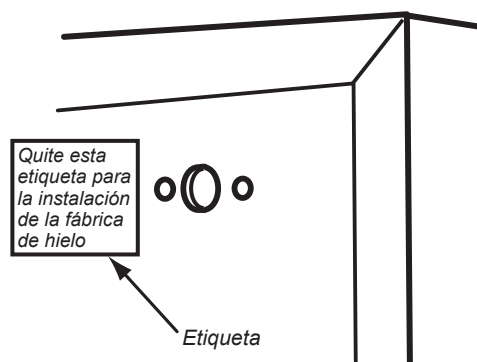
- 2.** Saque el mazo de la máquina de hielo de detrás de la tapa trasera del congelador tanto como sea posible y cuélguelo sobre el borde del corte. No quite ningún otro cableado del corte.



Para quitar cubierta plana del cableado

Consulte los diagramas laterales para ver los siguientes pasos. Trabaja en la parte trasera de la carcasa del refrigerador.

- 1.** En la parte de atrás de la carcasa, quite la etiqueta que está sobre el orificio del tubo de llenado.



Para quitar la etiqueta

Modelos de congelador superior/vertical (Continuación)

Consulte los diagramas laterales para ver los siguientes pasos.

1. Localice el tubo de llenado y la junta de espuma redonda del kit de la fábrica de hielo (es posible que la junta ya esté instalada en el tubo de llenado). Si no lo ha hecho, deslice la junta sobre el extremo del tubo de llenado.

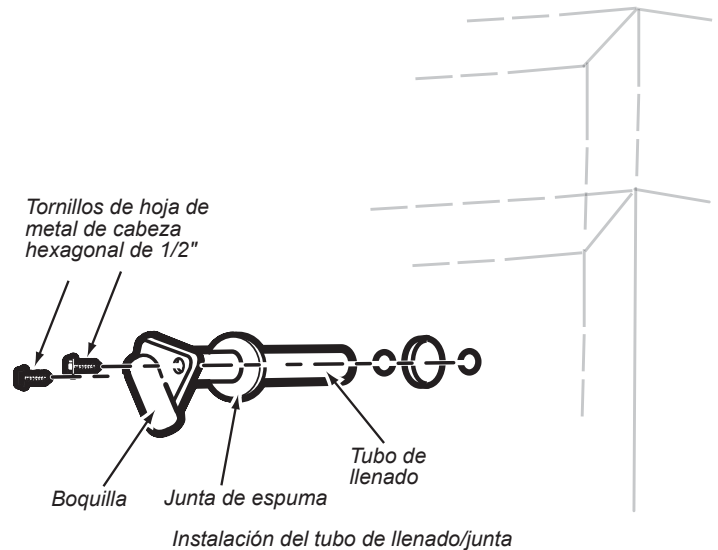
Inserte el tubo de llenado a través del orificio en la parte trasera del refrigerador con el pico hacia abajo, y asegúrelo con dos tornillos de hoja de metal de cabeza hexagonal de 1/2".

Consulte los diagramas laterales para ver los siguientes pasos. Trabaja dentro del compartimiento del congelador.

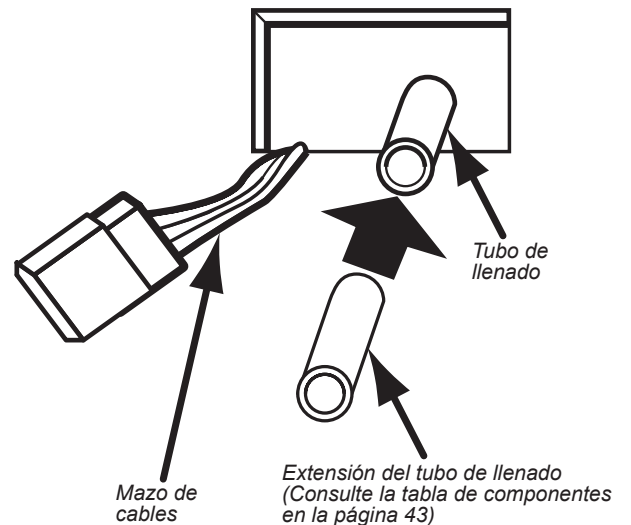
1. Deslice la extensión del tubo de llenado de plástico (consulte la tabla de componentes en la página 43) sobre el extremo del tubo de llenado hasta donde llegue (consulte el DETALLE A).

NOTA: La extensión del tubo de llenado de plástico no es necesaria para los modelos con tubo de llenado con la parte superior abierta.

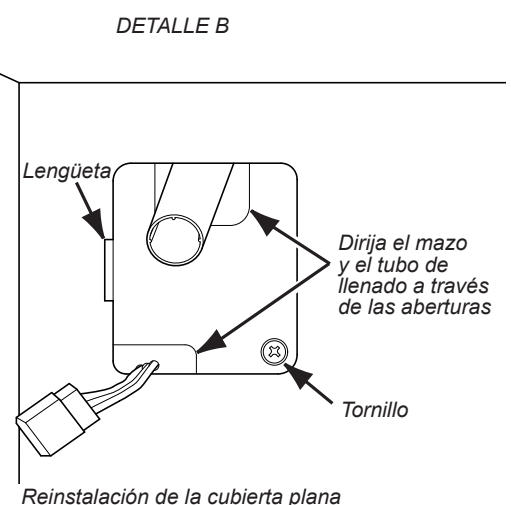
2. **Cubierta plana del cableado:** Instale la cubierta del cableado sobre el tubo de llenado con el mazo de cables a través de la ranura. Enganche la lengüeta del costado de la cubierta del cableado en la ranura de la cubierta posterior del congelador y asegúrela con el tornillo que quitó anteriormente (consulte el DETALLE B).



DETALLE A



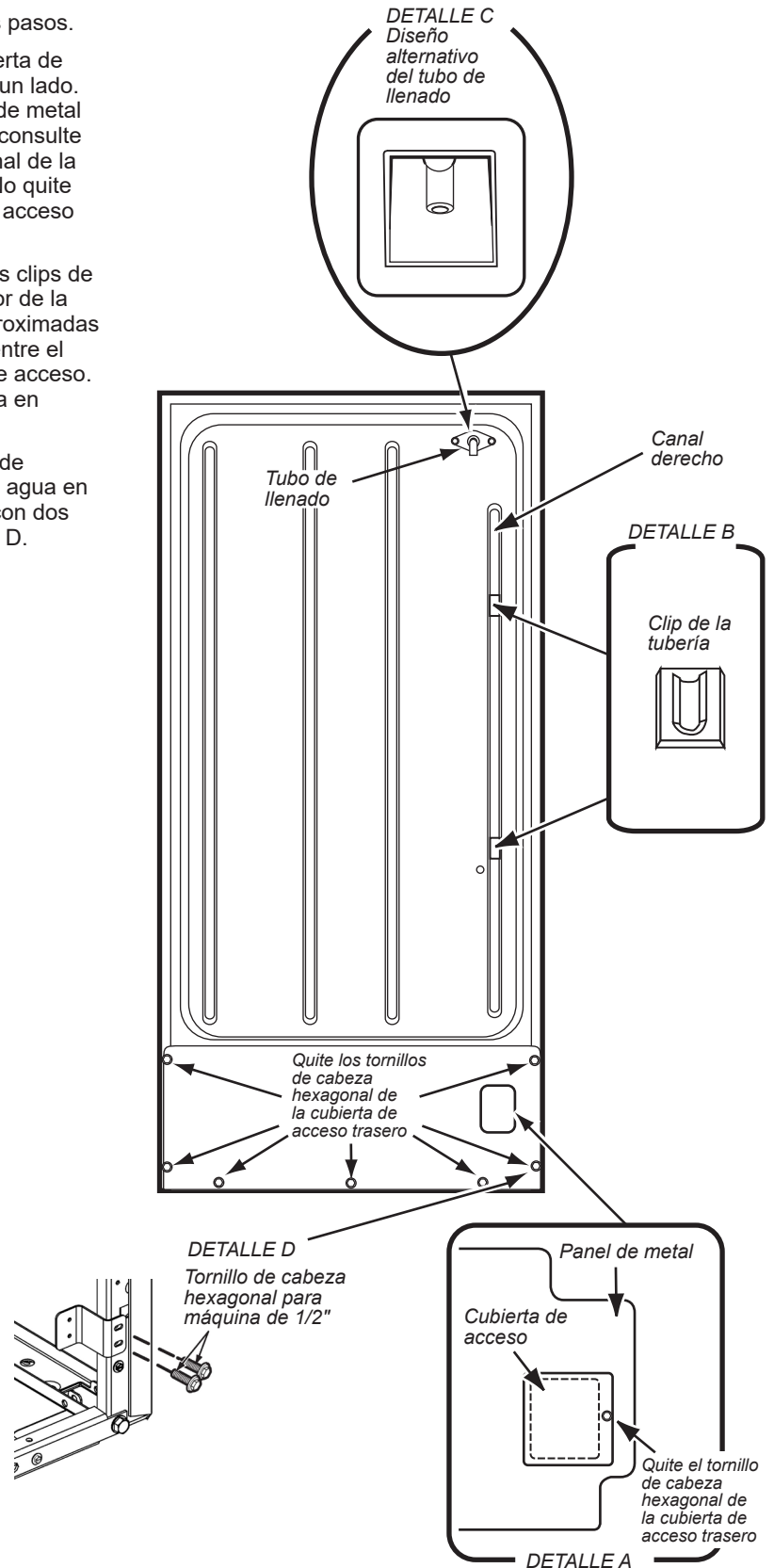
DETALLE B



Instalación de los clips de la tubería

Consulte los diagramas laterales para ver los siguientes pasos.

1. Retire los tornillos de cabeza hexagonal de la cubierta de acceso posterior, luego retire la cubierta y déjela a un lado. **NOTA:** Si tiene una unidad posterior con un panel de metal y una cubierta de acceso más pequeña separada (consulte el DETALLE A), retire el tornillo de cabeza hexagonal de la cubierta de acceso. Deseche la tapa y su tornillo. No quite los tornillos de cabeza hexagonal de la cubierta de acceso posterior más grande.
2. Despegue el respaldo de los lados adhesivos de los clips de los tubos. Presione los clips contra la parte posterior de la carcasa en el canal derecho en las ubicaciones aproximadas que se muestran en DETALLE B. Centre los clips entre el tubo de llenado y la parte superior de la abertura de acceso. El diseño alternativo del tubo de llenado se muestra en DETALLE C.
3. Para los modelos de dos puertas con una cubierta de acceso de metal, instale el soporte de la válvula de agua en los orificios de montaje en el marco de la carcasa con dos tornillos de máquina de 1/2". Consulte el DETALLE D.



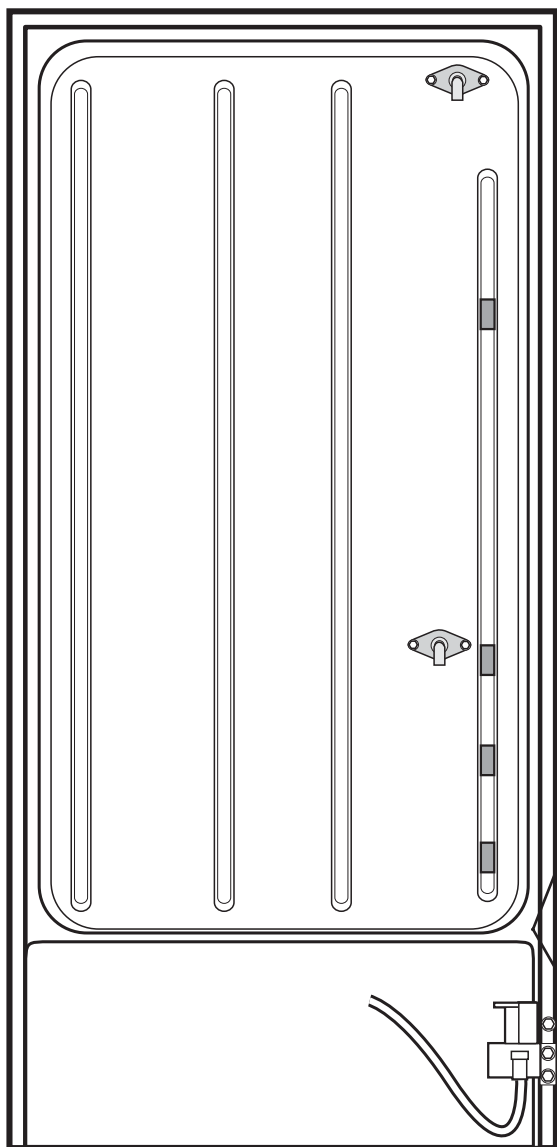
Instalación de los clips de la tubería

Para montar la válvula de agua

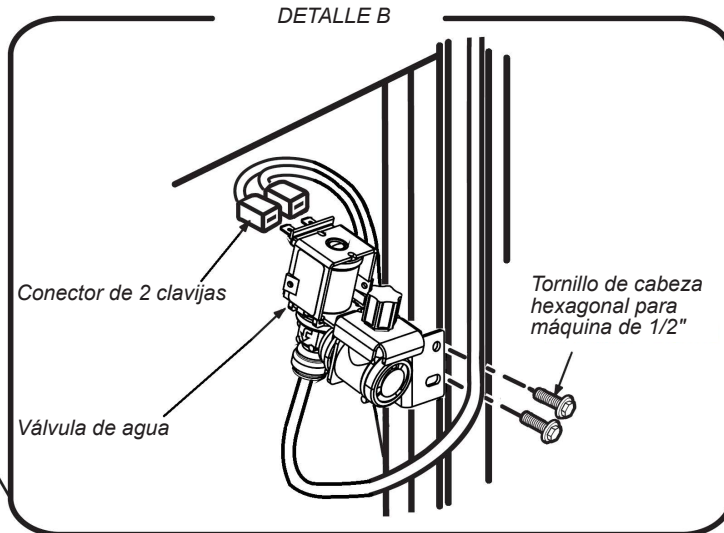
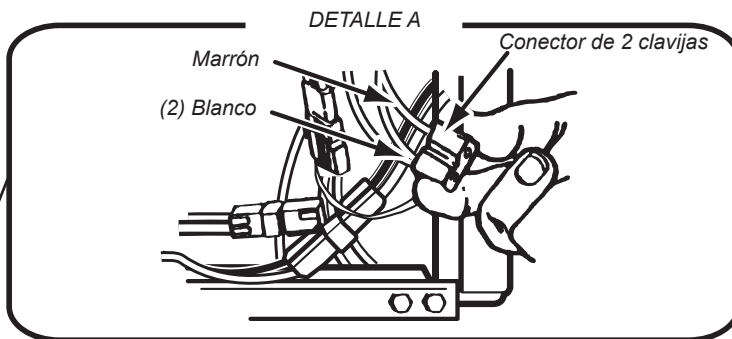
Consulte el diagrama a continuación para los siguientes pasos.

1. Localice el conector del solenoide de la válvula de agua de 2 clavijas (con los cables marrón y dos blancos) que está pegado al mazo de cables principal en la esquina inferior derecha del acceso trasero (consulte el DETALLE A).

2. Consulte el DETALLE B e inserte el conector de 2 clavijas sobre los terminales del solenoide de la válvula de agua tanto como sea posible (si el mazo no es lo suficientemente largo, rompa la cinta que lo sujeta al mazo principal). Puede colocar el conector con los cables en cualquier terminal.
3. Consulte el DETALLE B y monte la válvula de agua en los orificios de montaje en el marco de la carcasa con dos tornillos para metal de cabeza hexagonal de 1/2". Asegúrese de apretar firmemente estos dos tornillos.
NOTA: Para los modelos de dos puertas con una cubierta de acceso de metal, la válvula se monta en el soporte de la válvula previamente instalado en lugar de directamente en la carcasa.



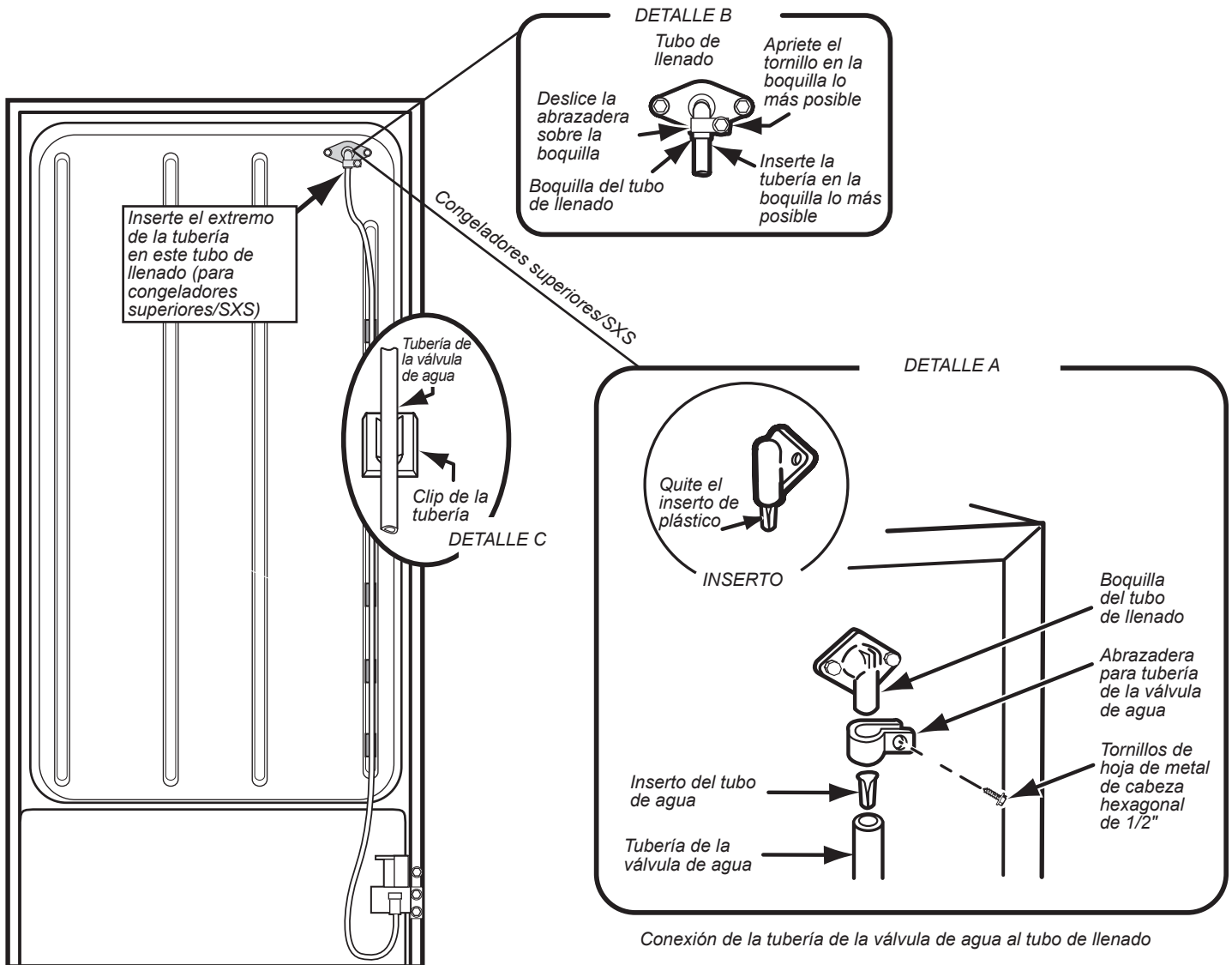
Para montar la válvula de agua



Conexión de la tubería de la válvula de agua

Consulte el diagrama a continuación para los siguientes pasos.

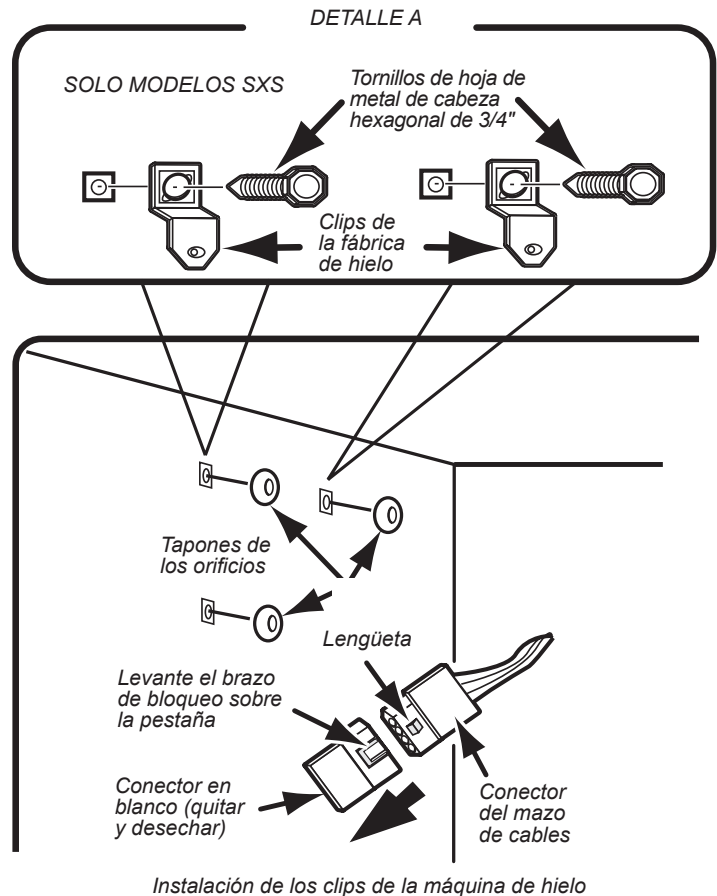
1. Consulte el recuadro en el DETALLE A, extraiga el inserto de plástico de la boquilla del tubo de llenado y deséchelo.
2. Ubique la abrazadera para tubería de la válvula de agua (del kit de la máquina de hielo) y observe que una de las bridas está hecha para un tornillo roscado y el otro lado tiene un orificio redondo. Coloque esta abrazadera con el lado del orificio redondo hacia arriba y deslícela sobre el extremo de la boquilla (consulte los DETALLES A, B). Enrosque un tornillo de hoja de metal de cabeza hexagonal de 1/2" en la abrazadera con los dedos tanto como sea posible. Apretará el tornillo después.
3. Consulte el DETALLE A y coloque el inserto metálico del tubo de agua como se muestra, luego presiónelo hasta el fondo en el tubo de la válvula de agua.
4. Consulte el DETALLE B y deslice el extremo del tubo en el extremo de la boquilla del tubo de llenado todo lo que pueda (si el tubo no llega, tire tanto como sea necesario hacia arriba a través de los clips), luego apriete el tornillo de la abrazadera del tubo tanto como sea posible. Tire del tubo para asegurarse de que esté seguro. Si se desliza fuera de la boquilla, empújelo hacia adentro y apriete más el tornillo de la abrazadera hasta que el tubo esté seguro.
5. Presione el tubo en los dos clips (consulte el DETALLE C) que instaló anteriormente en la parte posterior de la carcasa. Conectará el extremo libre del tubo más tarde.
6. Jale el exceso de tubería cerca del tubo de llenado hacia abajo a través de las dos abrazaderas para que forme una línea recta con un bucle en la parte inferior de la válvula de agua.



Montaje de la fábrica de hielo

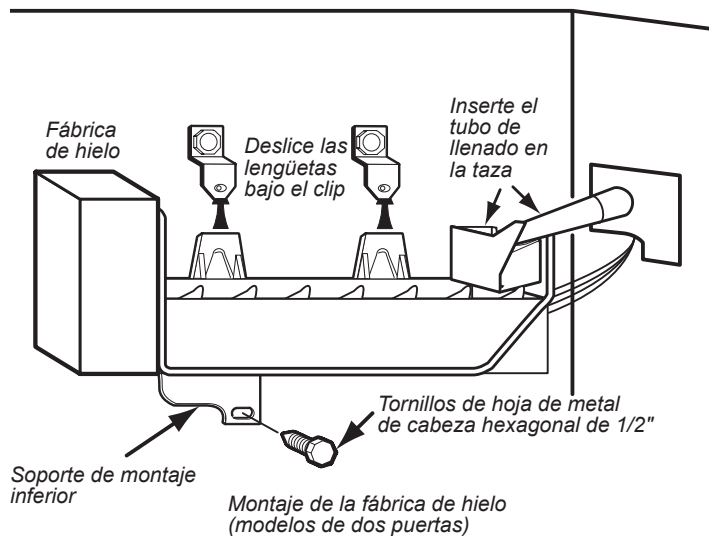
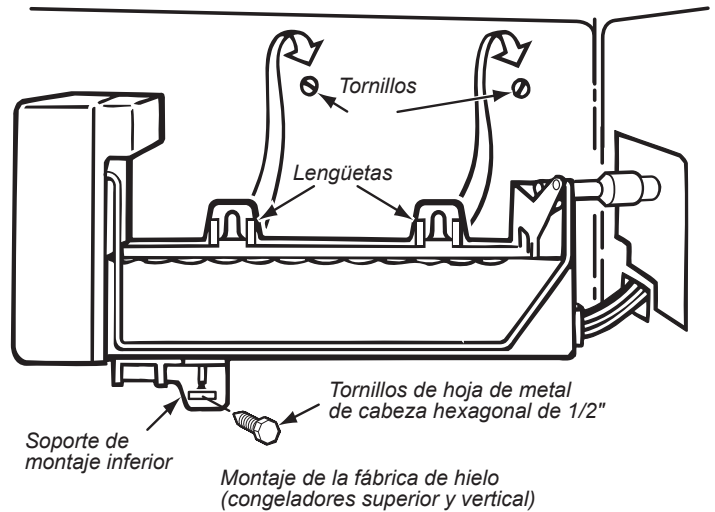
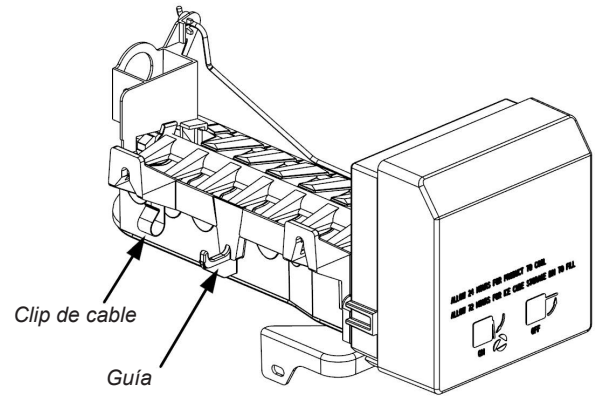
Consulte el diagrama lateral para los siguientes pasos.

1. Retire y deseche el conector en blanco del mazo de cables. Para quitarlo, levante el brazo de bloqueo en el lado del conector en blanco de modo que esté sobre la lengüeta del conector del mazo de cables y extraiga el conector en blanco.
2. Inserte el extremo de un destornillador de punta pequeña debajo de los bordes de cada uno de los tres tapones de los orificios de montaje de la máquina de hielo en el costado del revestimiento del congelador y sáquelos de sus orificios. Puede desechar los tapones.
3. Solo para congeladores superiores/verticales: Instale parcialmente dos tornillos de hoja de metal de cabeza hexagonal de 3/4" en los dos orificios de montaje superiores (que se muestran en el diagrama) del revestimiento del congelador. Luego colgará la máquina de hielo sobre estos dos tornillos, así que asegúrese de que sobresalgan lo suficiente.
4. Solo para modelos de dos puertas: Consulte el DETALLE A y monte los dos clips de montaje (del kit de la máquina de hacer hielo) en los orificios de montaje superiores del revestimiento del congelador con dos tornillos de hoja de metal de cabeza hexagonal de 3/4". Asegúrese de que ambos clips cuelguen hacia abajo y luego apriete los tornillos.



Consulte el diagrama lateral para los siguientes pasos.

1. Tome los dos arneses de puente que se incluyen en el kit y determine cuál puede conectarse al mazo de cables del congelador. Deseche el otro.
2. Conecte el arnés de puente compatible al mazo de cables de la fábrica de hielo. Pase los cables sobre la guía y a través del clip de alambre en la fábrica de hielo.
3. Coloque la máquina de hielo dentro del compartimiento del congelador y conecte su conector de cableado al conector del arnés del puente para que se traben juntos. Los conectores encajarán juntos de un solo modo.
4. Solo para congeladores superiores/verticales: Cuelgue la fábrica de hielo sobre los dos tornillos de cabeza hexagonal que instaló anteriormente. Asegúrese de que el orificio del soporte de montaje inferior esté alineado con el orificio de montaje en el revestimiento del congelador, luego apriete los dos tornillos de cabeza hexagonal superiores. Cerciórese de no apretar de más.
5. Solo para modelos de dos puertas: Coloque la fábrica de hielo de modo que las lengüetas de montaje superior e inferior queden planas contra el costado del revestimiento del congelador. Centre las lengüetas superiores debajo de los dos clips de montaje y empuje la máquina de hielo hacia arriba para que los clips de montaje encajen sobre las lengüetas y se sujeten en su lugar (debería escuchar un "clic" cuando se abrochen).
6. Monte el soporte inferior de la fábrica de hielo en el orificio de montaje del revestimiento del congelador con un tornillo de hoja de metal de cabeza hexagonal de 1/2".
7. Confirme que la extensión del tubo de llenado llegue a la taza de llenado de la fábrica de hielo. Instale una extensión diferente del kit si la que seleccionó anteriormente es demasiado larga o demasiado corta para dispensar en el vaso de llenado con la fábrica de hielo montada.



Conexión del suministro de agua

Lea todas las instrucciones antes de comenzar.

IMPORTANTE:

- Conecte solamente al suministro de agua potable.

No use con agua que no sea microbiológicamente segura o que sea de calidad desconocida sin desinfectarla adecuadamente antes o después del sistema. Pueden usarse sistemas certificados para la reducción de quistes en aguas desinfectadas que puedan contener quistes filtrables.

- La plomería se debe instalar de acuerdo con el Código internacional de plomería y cualquier norma y ordenanza local.
- Las conexiones de tuberías de cobre y polietileno reticulado (PEX) de la línea de agua doméstica al refrigerador son aceptables y ayudarán a evitar el mal sabor o mal olor en el hielo o el agua. Revise si hay fugas.
- Si se usa tubería de PEX en lugar de cobre, recomendamos los siguientes números de pieza: W10505928RP (7 ft [2,14 m] de PEX revestido), 8212547RP (5 ft [1,52 m] de PEX) o W10267701RP (25 ft [7,62 m] de PEX).
- Instale la tubería solo en áreas donde la temperatura va a permanecer por encima del punto de congelación.

Herramientas necesarias:

Reúna las herramientas y las piezas necesarias antes de comenzar la instalación.

- Destornillador de cabeza plana
- Llaves de extremo abierto de 7/16" y 1/2" o 2 llaves ajustables
- Llave para tuercas de 1/4"

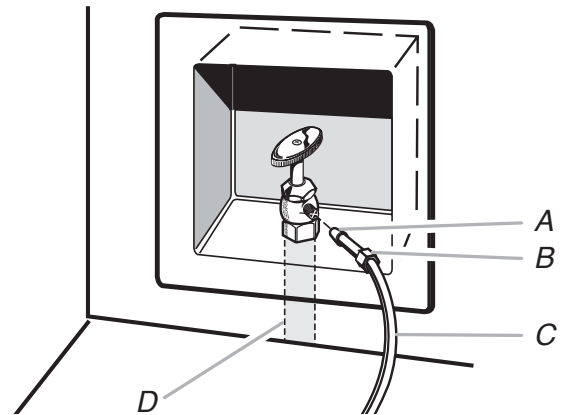
NOTA: No use una válvula perforadora o una válvula de montura de 3/16" (4,76 mm) que reduce el flujo de agua y se obstruye con mayor facilidad.

Cómo conectar a la línea de agua

IMPORTANTE: Si encendió el refrigerador antes de conectar el agua, apague la fábrica de hielo.

1. Desenchufe el refrigerador o desconecte el suministro de energía.
2. Cierre el suministro principal de agua. Encienda el grifo más cercano el tiempo suficiente para reducir la presión de agua en la línea de agua.
3. Use una válvula de cierre de un cuarto de vuelta o una equivalente, abastecida por una línea de suministro doméstica de 1/2".

NOTA: Para que el flujo de agua al refrigerador sea suficiente, se recomienda una línea de suministro doméstica de 1/2" (12,7 mm) como mínimo.



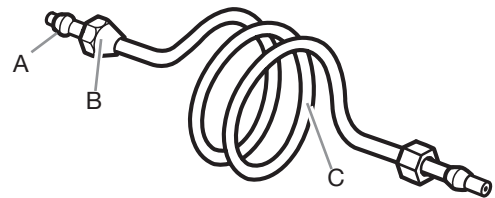
A. Manguito

B. Tuerca

C. Tubería de cobre (al refrigerador)

D. Línea de suministro doméstica (1/2" como mínimo)

4. Ahora está listo para conectar la tubería de cobre a la válvula de cierre. Use tubos de cobre de 1/4" (6,35 mm) diámetro externo (DE) para conectar la válvula de cierre y el refrigerador.
5. Asegúrese de tener la longitud adecuada necesaria para el trabajo. Asegúrese de que ambos extremos de la tubería de cobre tengan un corte recto.
6. Deslice el manguito y la tuerca de compresión sobre la tubería de cobre como se muestra. Inserte el extremo de la tubería en el extremo de salida tan recto como sea posible. Atornille la tuerca de compresión al extremo de salida con una llave ajustable. No ajuste demasiado.



A. Manguito de compresión

B. Tuerca de compresión

C. Tubería de cobre

7. Coloque el extremo libre de la tubería en un recipiente o un fregadero, abra el suministro principal de agua y deje correr el agua por la tubería hasta que el agua salga limpia. Cierre la válvula de cierre del tubo de agua.

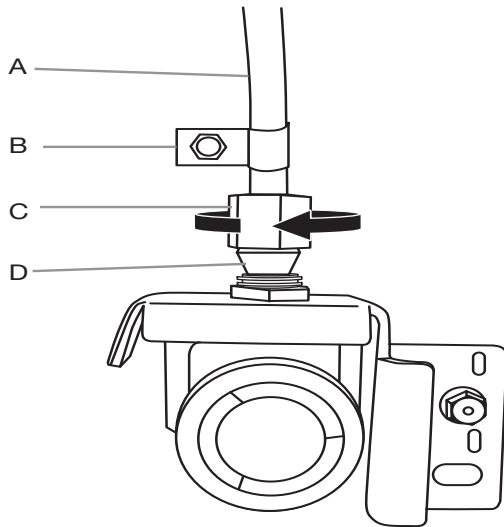
NOTA: Siempre desagüe la línea de agua antes de efectuar la conexión final al orificio de entrada de la válvula de agua para evitar un probable mal funcionamiento de la válvula de agua.

8. Doble la tubería de cobre para que alcance la entrada de la línea de agua, la cual está ubicada en la parte posterior del gabinete del refrigerador, como se muestra. Deje una sección de tubería de cobre enrollada para que el refrigerador se pueda extraer del gabinete o alejar de la pared para realizar trabajos de servicio.

Cómo conectar al refrigerador

Siga las instrucciones de conexión que sean específicas para su modelo.

1. Saque la tapa de plástico del puerto de entrada de la válvula de agua. Fije el tubo de cobre a la entrada de la válvula con una tuerca y un manguito de compresión, como se muestra. Ajuste la tuerca de compresión. No ajuste demasiado. Jale la tubería de cobre para comprobar que esté firme.
2. Haga un lazo de servicio con la tubería de cobre. Evite las torceduras cuando enrolle la tubería de cobre. Asegure la tubería de cobre al panel trasero con una abrazadera "P", con el tornillo original en la ranura del panel sobre la válvula.



A. Tubería de cobre
B. Abrazadera en "P"

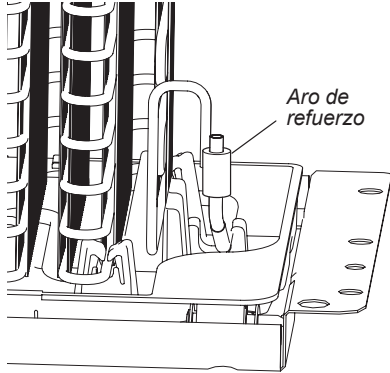
C. Tuerca de compresión
D. Manguito de compresión

3. Abra el suministro de agua al refrigerador y revise si hay fugas de agua. Corrija cualquier fuga que encuentre.

Instalación final

Cómo instalar la cubierta de acceso y dar forma a la tubería de cobre

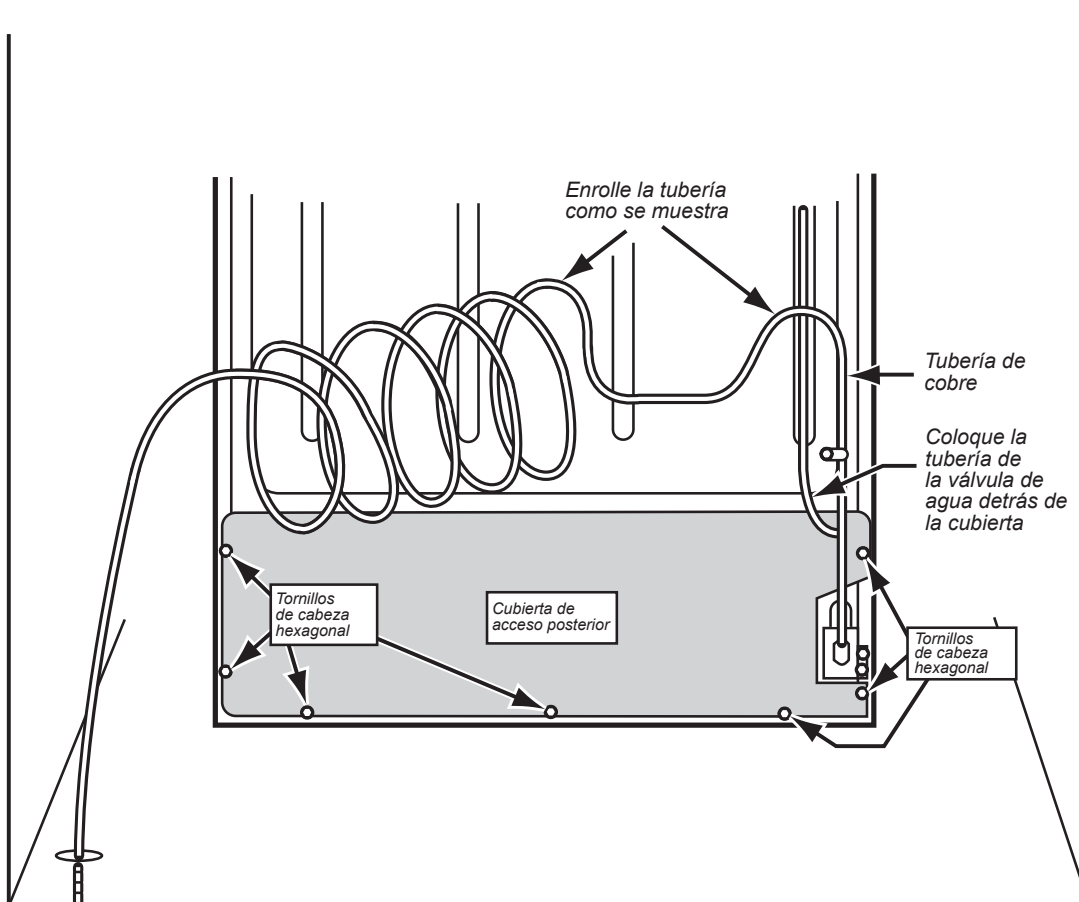
1. Solo modelos de congelador superior: Agregue la arandela de goma al condensador para evitar el contacto entre el área de la válvula y el condensador.



2. Vuelva a instalar la cubierta de acceso posterior en el refrigerador, de modo que la tubería de la válvula de agua esté dentro de la cubierta, y la línea de agua de cobre esté afuera (vea el diagrama abajo). Luego asegure la cubierta con los tornillos de cabeza hexagonal que quitó anteriormente.

NOTA: Para los modelos de dos puertas, dirija suavemente la tubería de plástico a través de la ranura en el cubierta metálica de acceso.

3. Enrolle la tubería de cobre que sale de la válvula de agua como se muestra. Coloque la tubería de cobre enrollada cerca del centro de la unidad, de modo que forme un "doble de acordeón" (como se muestra en el diagrama abajo) cuando se aleje o acerque a la pared.



Cómo instalar la cubierta de acceso y dar forma a la tubería de cobre

Conexión del suministro eléctrico/nivelación de la unidad

⚠ ADVERTENCIA



Peligro de Choque Eléctrico

Conecte a un contacto de pared de conexión a tierra de 3 terminales.

No quite la terminal de conexión a tierra.

No use un adaptador.

No use un cable eléctrico de extensión.

No seguir estas instrucciones puede ocasionar la muerte, incendio o choque eléctrico.

1. Enchufe el cable en el tomacorriente de CA y empuje suavemente el refrigerador hacia atrás, contra la pared.
2. Coloque un nivel encima del gabinete. Si necesita volver a nivelar el refrigerador, siga el procedimiento para ajustar las ruedas frontales, como se describe en el "Manual del propietario" de su refrigerador.
3. Verifique la posición de la fábrica de hielo. Si está torcida y necesita ajustarse, afloje el tornillo del soporte inferior y coloque la fábrica de hielo como desee, luego apriete el tornillo del soporte.

Puesta en marcha de la fábrica de hielo

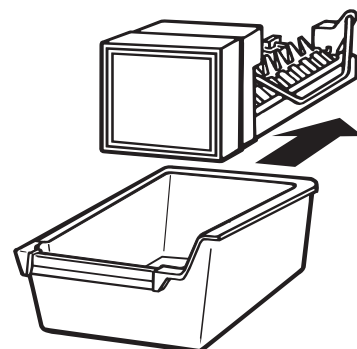
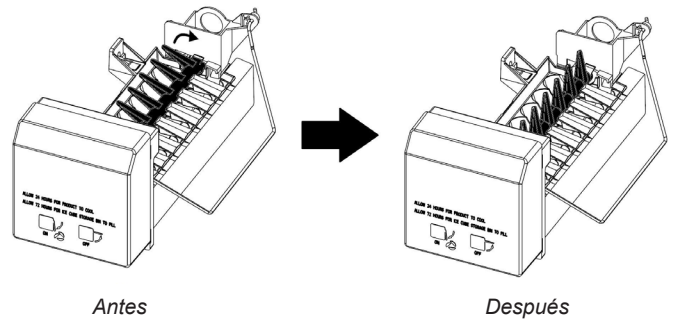
- 1. IMPORTANTE:** Asegúrese de que las luces del congelador estén encendidas y que el interruptor de la puerta del congelador permanezca abierto al realizar este paso. Gire manualmente los dedos del eyector 60 grados hacia una orientación vertical. Para evitar dañar la fábrica de hielo, los dedos del eyector solo deben girarse en el sentido de las agujas del reloj (consulte la ilustración).
2. Lave el balde para hielo y luego deslícela debajo de la fábrica de hielo (vea el diagrama lateral) hasta que haga tope. El balde para hielo quedará ubicado sobre el estante del congelador.

IMPORTANTE: Para los modelos con congelador en la parte superior que no tengan un estante de ancho completo en el congelador, deberá colocar el balde para hielo sobre el estante de la bandeja para hielo que está invertida. Primero coloque el estante para la bandeja de hielo mirando hacia abajo, de modo que el lado más corto esté a lo largo de la pared del congelador (vea el DETALLE A). Luego inserte las lengüetas en el lado más corto del estante dentro de las ranuras que están en el borde del piso del congelador. Esto sostendrá el estante en su lugar. A continuación, coloque el balde para hielo sobre el estante de la bandeja para hielo que está invertida y deslícelo debajo de la fábrica de hielo (vea el diagrama lateral). La fábrica de hielo no funcionará correctamente si el balde para hielo se coloca justo sobre el piso del congelador.

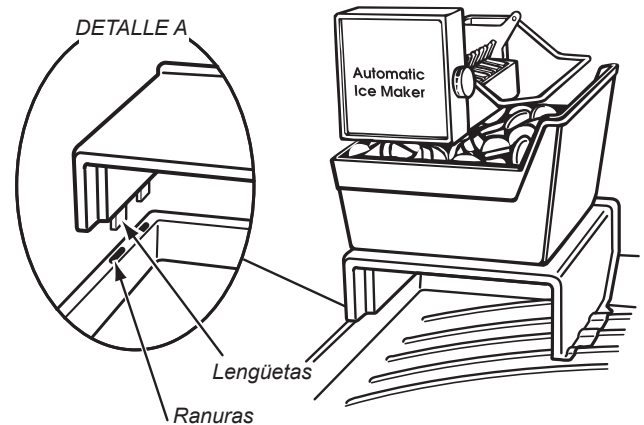
3. Vuelva a colocar los artículos en el compartimiento del congelador.
4. Baje el brazo en la fábrica de hielo (vea el diagrama lateral) a su posición de "encendido" y cierre la puerta del congelador. La fábrica de hielo comenzará a fabricar hielo en un plazo de 24 horas.

NOTA: Por lo general la fábrica de hielo toma aproximadamente 24 horas para comenzar a producir hielo. Una vez que el hielo esté disponible, notará que no tiene buen sabor. Si esto ocurre, haga dos o tres lotes de hielo y deséchelos. Después de hacerlo, el hielo deberá tener un sabor normal. Si tiene algún problema, consulte la sección "Solución de problemas".

Con este paso se termina la instalación de su fábrica de hielo.



Cómo instalar el balde de hielo



↑ Apagado Levante el brazo para detener el hielo

↓ Encendido Baje el brazo para encenderla



Cómo encender la fábrica de hielo

Solución de problemas

Notas sobre el funcionamiento

1. La válvula de agua de la fábrica de hielo incluye una arandela de flujo que funciona como regulador de presión para controlar el flujo de agua. Para que la fábrica de hielo funcione bien, la presión del agua de su hogar debe ser entre 20 y 120 libras por pulgada cuadrada (psi). Si la fábrica de hielo presenta problemas para producir hielo, llame a su compañía de agua y solicite que se revise la presión del agua.
2. La válvula de agua de la fábrica de hielo incluye dos filtros: uno tipo canasta de plástico y uno con malla de alambre. Para limpiarlos, cierre el agua y desensamble la válvula de agua (su centro de servicio técnico debe poder proveer este servicio). Si las condiciones del agua local requieren que se realice una limpieza periódica, o si usted utiliza un pozo como fuente de agua, deberá considerar instalar un segundo filtro de agua en la línea de agua. Puede solicitar un filtro de agua a su distribuidor de electrodomésticos de su localidad.

Cuadro de solución de problemas

El siguiente cuadro muestra varios problemas comunes que podrían ocurrir con su fábrica de hielo.

PROBLEMA	CAUSA
Se escucha uno o más de los siguientes sonidos: <ul style="list-style-type: none">■ Zumbido■ Agua goteando■ Ruido sordo (traqueteo de hielo)	Está funcionando la válvula de agua. El agua está entrando al recipiente de llenado de la fábrica de hielo. Se está descargando hielo dentro del depósito de hielo.
El hielo no sabe fresco.	El hielo es viejo. Haga un nuevo lote.
El agua en la fábrica de hielo se desborda.	El refrigerador o la fábrica de hielo no están nivelados. Si la fábrica de hielo sigue desbordándose después de nivelar, cierre el suministro de agua de la fábrica de hielo en la válvula de cierre y levante el brazo de sujeción de la fábrica de hielo a la posición de apagado; luego comuníquese con su centro de servicio local.
No hay suficiente hielo.	El balde para hielo demorará 72 horas en llenarse. La fábrica de hielo producirá hielo cada 2 a 3 horas. Para producir más hielo, regule el control del congelador a un ajuste más frío.
Se ha detenido la producción de hielo.	Asegúrese de haber bajado el brazo de alambre dentro del balde. Asegúrese de que esté abierta la válvula de cierre del agua. La válvula de cierre del agua o el filtro de la válvula de agua está obstruido (póngase en contacto con su centro de servicio local).

NOTES

NOTES

NOTES

NOTES

