

WASHER INSTALLATION & CARE INSTRUCTION MANUAL MANUEL D'INSTRUCTION D'INSTALLATION ET D'ENTRETIEN DE LA LAVEUSE MANUAL DE INSTRUCCIONES PARA LA INSTALACIÓN Y EL CUIDADO DE LA LAVADORA

Table of Contents

WASHER SAFETY	2
INSTALLATION REQUIREMENTS.....	3
Tools and parts	3
Location Requirement	4
Drain System	4
Electrical Requirements	5
INSTALLATION INSTRUCTIONS.....	5
Connect Drain Hose.....	6
Connect Inlet Hoses	7
Level Washer	8
Complete Installation Checklist.....	9
WASHER MAINTENANCE AND CARE	9
Water Inlet Hoses.....	9
Washer Care	9
Non-Use And Vacation Care	10
Cleaning Your Dispenser	10
Winter Storage Care	11
Transporting Your Washer.....	11
Reinstalling/Using Washer Again	11

Table des matières

SÉCURITÉ DE LA LAVEUSE	12
EXIGENCES D'INSTALLATION	13
Outils et pièces.....	13
Exigences d'emplacement.....	14
Système de vidange.....	14
Spécifications électriques.....	15
INSTRUCTIONS D'INSTALLATION	15
Raccordement du tuyau de vidange	16
Raccordement des tuyaux d'alimentation.....	17
Mise à niveau de la laveuse	18
Liste de vérification pour installation terminée...	19
ENTRETIEN ET RÉPARATION DE LA LAVEUSE.....	19
Tuyaux d'arrivée d'eau.....	19
Entretien de la laveuse	19
Non utilisation et entretien en période de vacances.....	20
Nettoyage du distributeur	20
Entretien pour entreposage hivernal.....	21
Transport de la laveuse	21
Réinstallation/réutilisation de la laveuse	21

Índice

SEGURIDAD DE LA LAVADORA.....	22
REQUISITOS DE INSTALACIÓN	23
Herramientas y piezas	23
Requisitos de ubicación	24
Sistema de desagote	24
Requisitos eléctricos	25
INSTRUCCIONES DE INSTALACIÓN	26
Conecte la manguera de desagote	27
Conexión de las mangueras de entrada	27
Nivelación de la lavadora	28
Lista de control de la instalación terminada	29
MANTENIMIENTO Y CUIDADO DE LA LAVADORA .	30
Mangueras de entrada de agua.....	30
Cuidado de la lavadora.....	30
Cuidado durante períodos sin uso y en las vacaciones.....	31
Limpieza del depósito.....	31
Cuidado para el almacenamiento durante el invierno.....	31
Transporte de la lavadora.....	31
Cómo reinstalar o usar la lavadora nuevamente ...	32

WASHER SAFETY

Your safety and the safety of others are very important.

We have provided many important safety messages in this manual and on your appliance. Always read and obey all safety messages.



This is the safety alert symbol.

This symbol alerts you to potential hazards that can kill or hurt you and others.

All safety messages will follow the safety alert symbol and either the word "DANGER" or "WARNING."

These words mean:

⚠ DANGER

You can be killed or seriously injured if you don't immediately follow instructions.

⚠ WARNING

You can be killed or seriously injured if you don't follow instructions.

All safety messages will tell you what the potential hazard is, tell you how to reduce the chance of injury, and tell you what can happen if the instructions are not followed.

IMPORTANT SAFETY INSTRUCTIONS

WARNING: To reduce the risk of fire, electric shock, or injury to persons when using the washer, follow basic precautions, including the following:

- Read all instructions before using the washer.
- Do not wash articles that have been previously cleaned in, washed in, soaked in, or spotted with gasoline, dry-cleaning solvents, other flammable, or explosive substances as they give off vapors that could ignite or explode.
- Do not add gasoline, dry-cleaning solvents, or other flammable, or explosive substances to the wash water. These substances give off vapors that could ignite or explode.
- Under certain conditions, hydrogen gas may be produced in a hot water system that has not been used for 2 weeks or more. **HYDROGEN GAS IS EXPLOSIVE.** If the hot water system has not been used for such a period, before using the washing machine, turn on all hot water faucets and let the water flow from each for several minutes. This will release any accumulated hydrogen gas. As the gas is flammable, do not smoke or use an open flame during this time.
- Do not allow children to play on or in the washer. Close supervision of children is necessary when the washer is used near children.
- Before the washer is removed from service or discarded, remove the door or lid.
- Do not reach into the washer if the drum, tub or agitator is moving.
- Do not install or store the washer where it will be exposed to the weather.
- Do not tamper with controls.
- Do not repair or replace any part of the washer or attempt any servicing unless specifically recommended in this manual or in published user-repair instructions that you understand and have the skills to carry out.
- See Installation Instructions for grounding instructions.

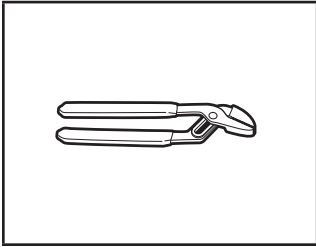
SAVE THESE INSTRUCTIONS

INSTALLATION REQUIREMENTS

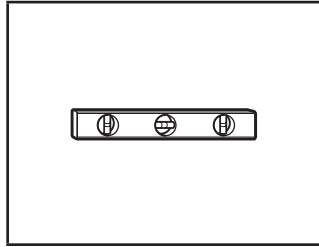
Tools and Parts

Gather required tools and parts before starting installation.

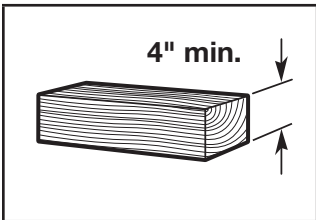
Tools needed



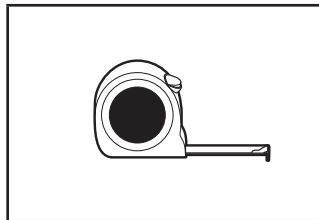
Pliers that open to 1 3/4"



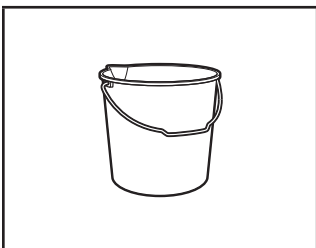
Level



Wood Block



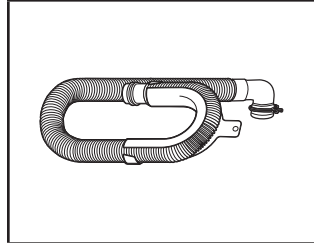
Ruler or measuring tape



Bucket

Parts supplied:

NOTE: All parts supplied for installation are in cardboard insert in the top of the washer.



Drain hose with clamp, U-form, and cable tie

Parts needed (Not supplied with washer):



Inlet hoses with flat washers

Location Requirement

Select proper location for your washer to improve performance and minimize noise and possible "washer walk". Install your washer in a basement, laundry room, closet, or recessed area.

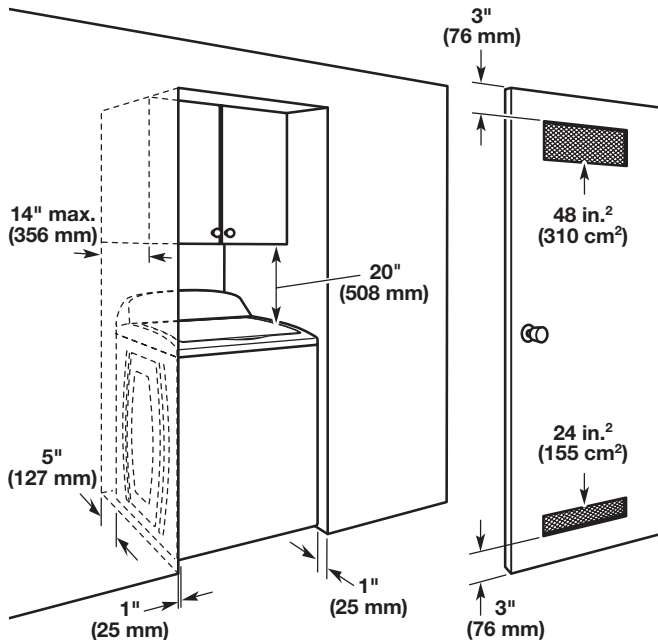
You will need

- A water heater set to 120°F (49°C).
- A grounded electrical outlet located within 4 ft. (1.2 m) of power cord on back of washer.
- Hot and cold water faucets located within 3 ft. (0.9 m) of hot and cold water fill valves on washer, and water pressure of 20-100 psi (138-690 kPa).
- A level floor with maximum slope of 1" (25 mm) under entire washer. Installing on carpet is not recommended.
- Floor must support washer's total weight (with water and load) of 315 lbs (143 kgs).

IMPORTANT: Do not install, store, or operate washer where it will be exposed to weather or in temperatures below 32°F (0°C). Water remaining in washer after use may cause damage in low temperatures. See the "Winter Storage Care" section for winterizing information.

Proper installation is your responsibility.

Recessed area or closet installation

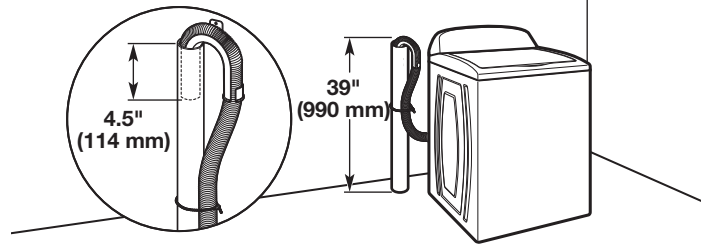


Dimensions show recommended spacing allowed, except for closet door ventilation openings which are minimum required. This washer has been tested for installation with spacing of 0" (0 mm) clearance on the sides. Consider allowing more space for ease of installation and servicing, and spacing for companion appliances and clearances for walls, doors, and floor moldings. Add spacing of 1" (25 mm) on all sides of washer to reduce noise transfer. If a closet door or louvered door is installed, top and bottom air openings in door are required.

Drain System

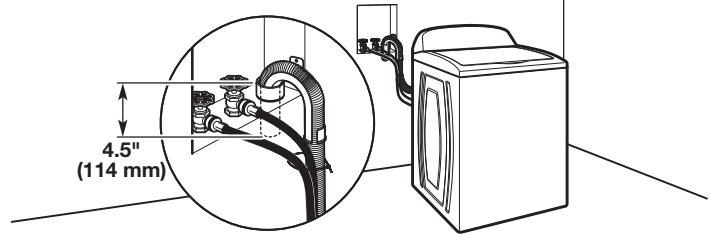
Drain system can be installed using a floor drain, wall standpipe, floor standpipe, or laundry tub. Select method you need.

Floor standpipe drain system



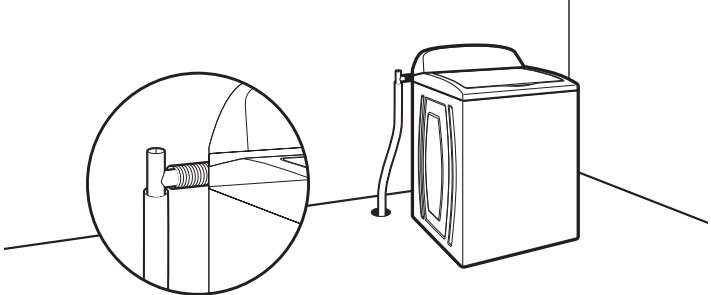
Minimum diameter for a standpipe drain: 2" (51 mm). Minimum carry-away capacity: 17 gal. (64 L) per minute. Top of standpipe must be at least 39" (990 mm) high; install no higher than 96" (2.44 m) from bottom of washer. If you must install higher than 96" (2.44 m), you will need a sump pump system.

Wall standpipe drain system



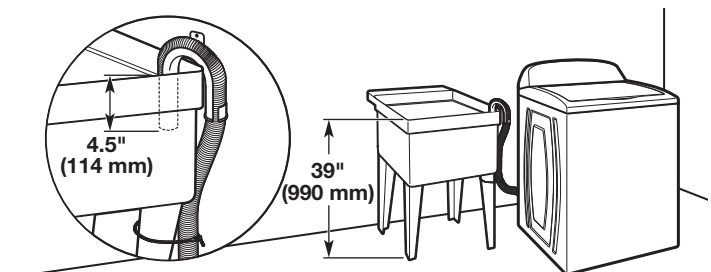
See requirements for floor standpipe drain system.

Floor drain system



Floor drain system requires a Siphon Break Kit (Part Number 285834), 2 Connector Kits (Part Number 285835), and an Extension Drain Hose (Part Number 285863) that may be purchased separately. To order, please see toll-free phone numbers in "Assistance or Service" section. Minimum siphon break: 28" (710 mm) from bottom of washer. (Additional hoses may be needed.)

Laundry tub drain system



Minimum capacity: 20 gal. (76 L). Top of laundry tub must be at least 39" (990 mm) above floor; install no higher than 96" (2.44 m) from bottom of washer.

IMPORTANT: To avoid siphoning, no more than 4.5" (114 mm) of drain hose should be inside standpipe or below the top of wash tub. Secure drain hose with cable tie.

Electrical Requirements

⚠ WARNING



Electrical Shock Hazard

Plug into a grounded 3 prong outlet.

Do not remove ground prong.

Do not use an adapter.

Do not use an extension cord.

Failure to follow these instructions can result in death, fire, or electrical shock.

- A 120 V, 60 Hz., AC only, 15 or 20 A, fused electrical supply is required. A time-delay fuse or circuit breaker is recommended. It is recommended that a separate circuit breaker serving only this appliance be provided.
- This washer is equipped with a power supply cord having a 3 prong grounding plug.
- To minimize possible shock hazard, the cord must be plugged into a mating, 3 prong, grounding-type outlet, grounded in accordance with local codes and ordinances. If a mating outlet is not available, it is the personal responsibility and obligation of the customer to have the properly grounded outlet installed by a qualified electrician.
- If codes permit and a separate ground wire is used, it is recommended that a qualified electrician determine that the ground path is adequate.
- Do not ground to a gas pipe.
- Check with a qualified electrician if you are not sure the washer is properly grounded.
- Do not have a fuse in the neutral or ground circuit.

GROUNDING INSTRUCTIONS

For a grounded, cord-connected washer:

This washer must be grounded. In the event of a malfunction or breakdown, grounding will reduce the risk of electrical shock by providing a path of least resistance for electric current. This washer is equipped with a cord having an equipment-grounding conductor and a grounding plug. The plug must be plugged into an appropriate outlet that is properly installed and grounded in accordance with all local codes and ordinances.

WARNING: Improper connection of the equipment-grounding conductor can result in a risk of electric shock. Check with a qualified electrician or serviceman if you are in doubt as to whether the appliance is properly grounded.

Do not modify the plug provided with the appliance – if it will not fit the outlet, have a proper outlet installed by a qualified electrician.

For a permanently connected washer:

This washer must be connected to a grounded metal, permanent wiring system, or an equipment grounding conductor must be run with the circuit conductors and connected to the equipment-grounding terminal or lead on the appliance.

INSTALLATION INSTRUCTIONS

⚠ WARNING

Excessive Weight Hazard

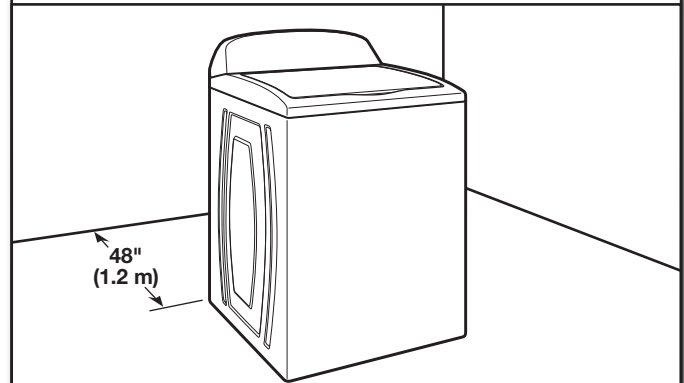
Use two or more people to move and install washer.

Failure to do so can result in back or other injury.

Before you start: Remove shipping materials.

It is necessary to remove all shipping materials for proper operation and to avoid excessive noise from washer.

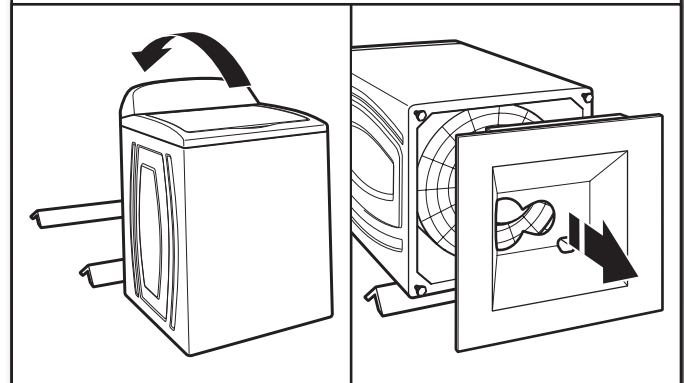
1. Move washer



Move washer to within 4 ft. (1.2 m) of its final location; it must be in a fully upright position.

NOTE: To avoid floor damage, set washer onto cardboard before moving it and make sure lid is taped shut.

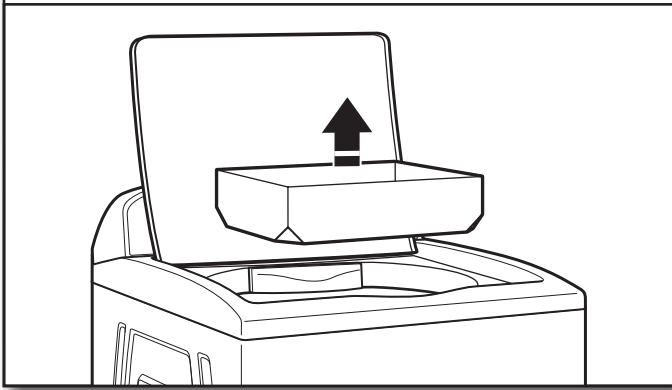
2. Remove shipping base



To avoid damaging floor, place cardboard supports from shipping carton on floor behind washer. Tip washer back and place on cardboard supports. Remove shipping base. Set washer upright.

IMPORTANT: Removing shipping base is necessary for proper operation. If your washer includes a sound shield, please refer to the instructions included with the sound shield to install it at this time.

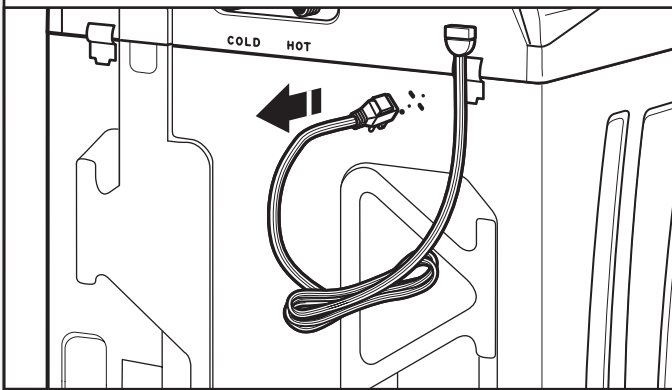
3. Remove packing tray from tub



Remove tape from washer lid, open lid, and remove cardboard packing tray from tub. Remove all other packaging materials from washer tub. Be sure to remove all parts from tray.

NOTE: Keep tray in case you need to move washer later.

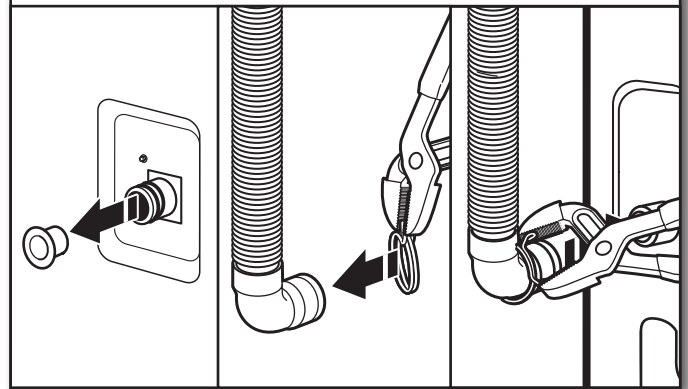
4. Free power cord



Firmly grasp power cord plug and pull to free from rear panel. Gently place power cord over console to allow free access to back of washer.

Connect Drain Hose

5. Attach drain hose to drain port



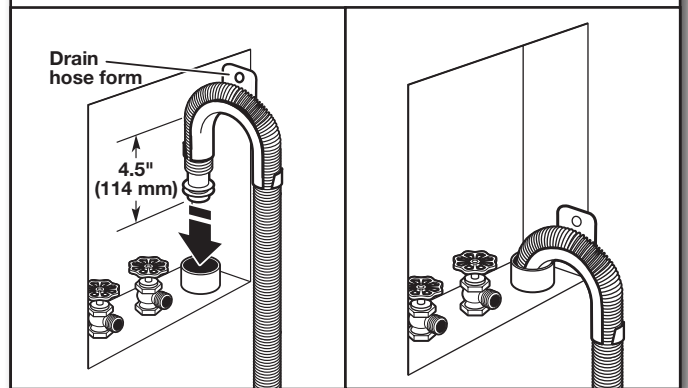
Remove the red plastic plug from the black drain port on the back of the washer.

If clamp is not already in place on elbow end of drain hose, slide it over end as shown. Squeeze clamp with pliers and slide black elbow end of drain hose onto black drain port and secure with clamp.

For a laundry tub or standpipe drain, go to step 6.

For a floor drain, remove the preinstalled drain hose form as shown in Step 7. You may need additional parts with separate directions. See the "Tools and Parts" section.

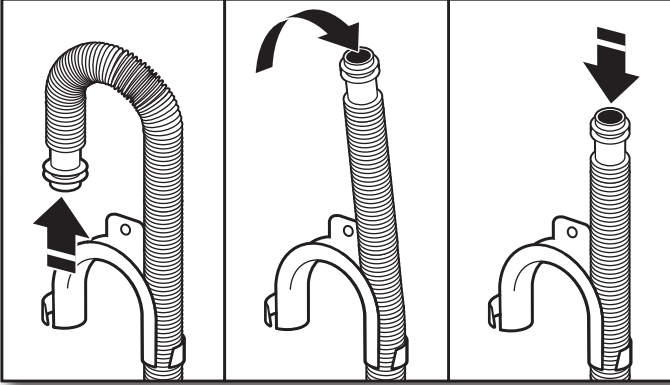
6. Place drain hose in standpipe



Place hose into standpipe (shown in picture) or over side of laundry tub.

IMPORTANT: 4.5" (114 mm) of drain hose should be inside standpipe; do not force excess hose into standpipe or lay on bottom of laundry tub. Drain hose form must be used.

7. Remove drain hose form (floor drain installations only)



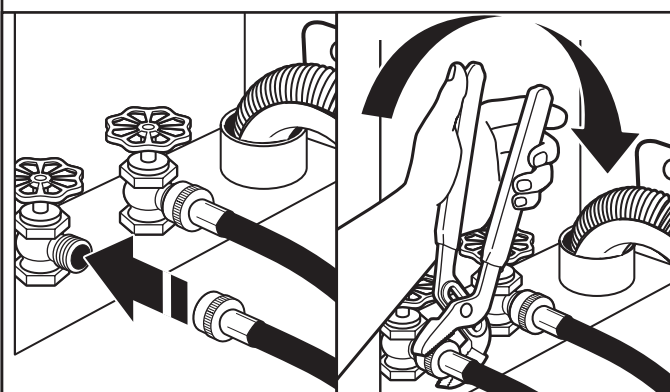
For floor drain installations, you will need to remove the drain hose form from the end of the drain hose. You may need additional parts with separate directions. See the “Tools and Parts” section.

Connect Inlet Hoses

Washer must be connected to water faucets with new inlet hoses with flat washers (not provided). Do not use old hoses.

NOTE: Both hoses must be attached and have water flowing to inlet valves. If you are only connecting to a cold water faucet, you must use a Y-adapter (not provided).

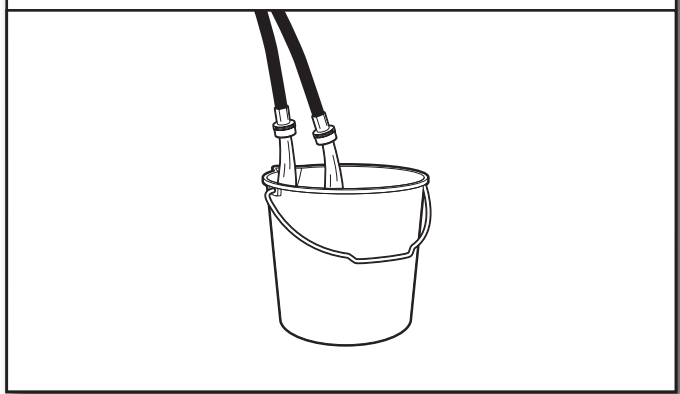
8. Connect inlet hoses to water faucets



Attach hose to hot water faucet. Screw on coupling by hand until it is seated on washer. Use pliers to tighten couplings an additional two-thirds turn. Repeat this step with second hose for cold water faucet.

IMPORTANT: Do not overtighten or use tape or sealants on valve when attaching to faucets or washer. Damage can result.

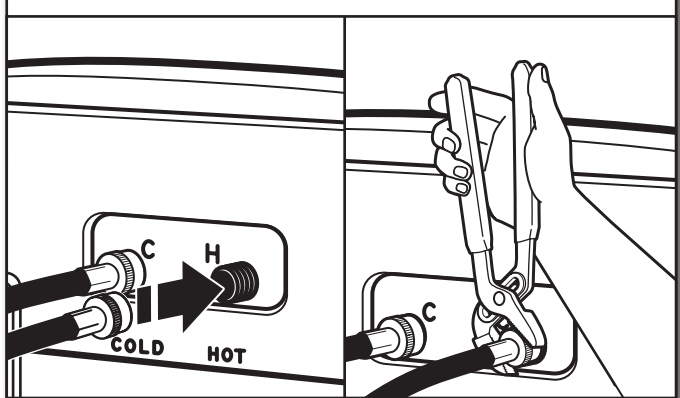
9. Clear water lines



Run water for a few seconds through hoses into a laundry tub, drainpipe, or bucket to avoid clogs. Water should run until clear.

Make note of which hose is connected to hot water to help in attaching hoses to washer correctly.

10. Connect inlet hoses to washer

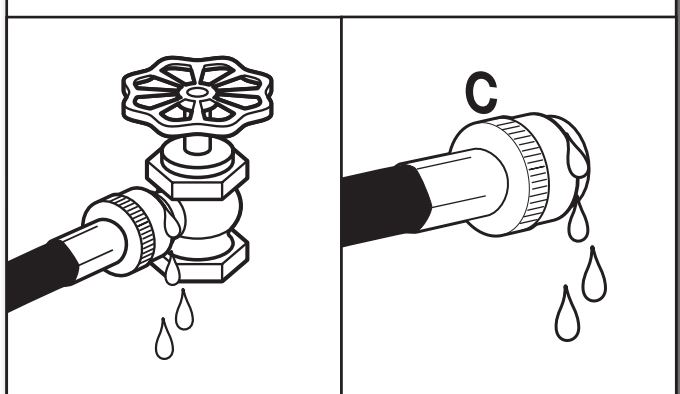


Attach hot water hose to hot water inlet valve marked with a red ring. Screw coupling by hand until it is snug. Use pliers to tighten couplings an additional two-thirds turn. Repeat with cold water inlet valve.

IMPORTANT: To reduce risk of hose failure, replace the hoses every five years. Record hose installation or replacement dates for future reference.

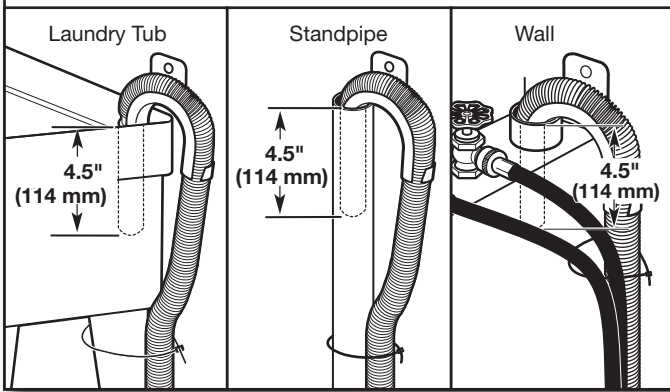
■ Periodically inspect and replace hoses if bulges, kinks, cuts, wear, or leaks are found.

11. Check for leaks



Turn on water faucets to check for leaks. A small amount of water may enter washer. It will drain later.

12. Secure drain hose

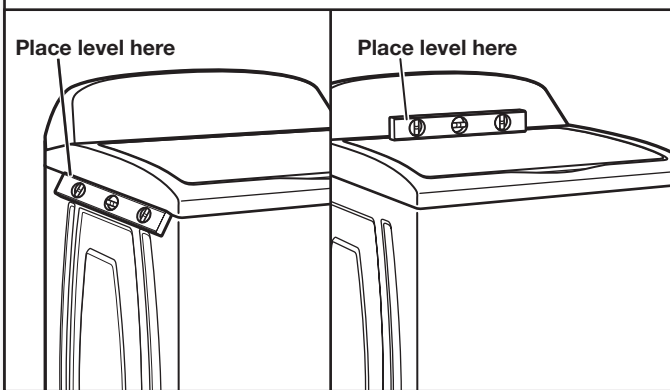


Secure drain hose to laundry tub leg, drain standpipe, or inlet hoses for wall standpipe with cable tie.

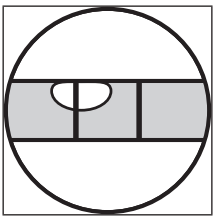
Level Washer

IMPORTANT: Level washer properly to reduce excess noise and vibration.

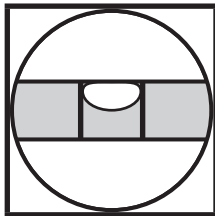
13. Check levelness of washer



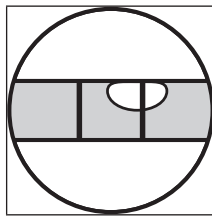
Move the washer to its final location. Place a level on top edges of washer. Use side seam as a guide to check levelness of sides. Check levelness of front using lid, as shown. Rock washer back and forth to make sure all four feet make solid contact with floor. If washer is level, skip to step 15.



Not Level

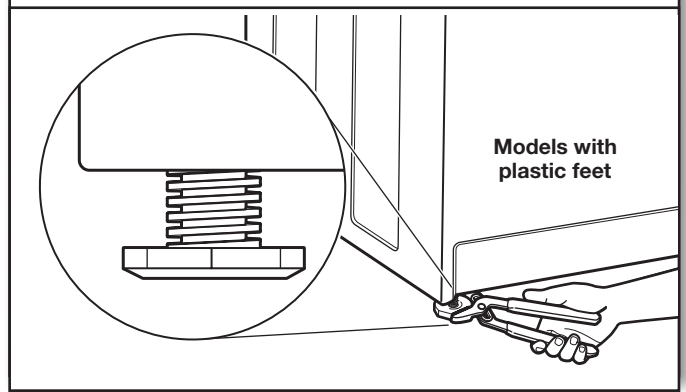


LEVEL



Not Level

14. Adjust leveling feet



If washer is not level:

Use adjustable pliers to turn the plastic leveling foot counterclockwise to lower the washer or clockwise to raise the washer. On all models, recheck levelness of washer and repeat as needed.

HELPFUL TIPS:

- You may need to adjust two different feet to level your unit. Ensure each foot remains secured to the washer's base.
- You may want to prop up the front of the washer about 4" (102 mm) with a wood block or similar object that will support the weight of the washer when making the adjustments.

⚠ WARNING



Electrical Shock Hazard

Plug into a grounded 3 prong outlet.

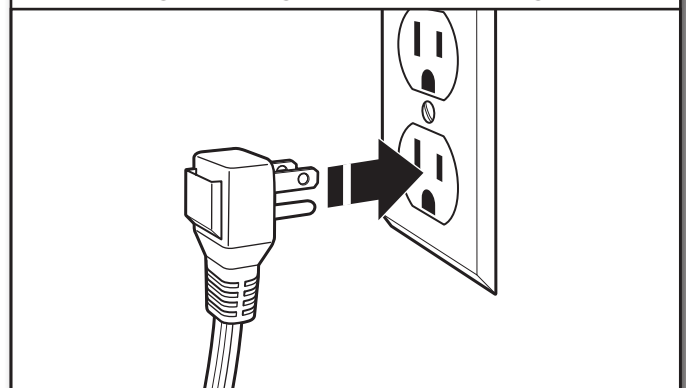
Do not remove ground prong.

Do not use an adapter.

Do not use an extension cord.

Failure to follow these instructions can result in death, fire, or electrical shock.

15. Plug into a grounded 3 prong outlet



Complete Installation Checklist

- Check electrical requirements. Be sure you have correct electrical supply and recommended grounding method.
- Check that all parts are now installed. If there is an extra part, go back through steps to see what was skipped.
- Check that you have all of your tools.
- Check that shipping materials were completely removed from washer.
- Check that the washer is level.
- Check that water faucets are on.
- Check for leaks around faucets and inlet hoses.
- Remove protective film from console and any tape remaining on washer.
- Check that washer is plugged into a grounded 3 prong outlet.
- Dispose of/recycle all packaging materials.
- Read the "Washer Care" section in this book.
- To test and clean your washer, measure 1/2 of normal recommended amount of powdered or liquid detergent and pour it into washer basket or detergent dispenser (on some models). Close lid. Select any cycle. Start washer and allow to complete full cycle.

WASHER MAINTENANCE AND CARE

WATER INLET HOSES

Replace inlet hoses after 5 years of use to reduce the risk of hose failure. Periodically inspect and replace inlet hoses if bulges, kinks, cuts, wear, or leaks are found.

When replacing your inlet hoses, mark the date of replacement on the label with a permanent marker.

NOTE: This washer does not include inlet hoses. See the "Installation & Care Instructions Manual" for more information.

WASHER CARE

Recommendations to Help Keep Your Washer Clean and Performing at its Best

1. Always use High Efficiency (HE) detergents and follow the HE detergent manufacturer's instructions regarding the amount of HE detergent to use. Never use more than the recommended amount because that may increase the rate at which detergent and soil residue accumulate inside your washer, which in turn may result in undesirable odor.
2. Use warm and hot wash water settings sometimes (not exclusively cold water washes), because they do a better job of controlling the rate at which soils and detergent accumulate.
3. Always leave the washer lid open between uses to help dry out the washer and prevent the buildup of odor-causing residue.

Cleaning Your Top Loading Washer

Read these instructions completely before beginning the routine cleaning processes recommended below. This Washer Maintenance Procedure should be performed, at a minimum, once per month or every 30 wash cycles, whichever occurs sooner, to control the rate at which soils and detergent may otherwise accumulate in your washer.

Cleaning the Inside of the Washer

To keep your washer odor-free, follow the usage instructions provided above, and use this recommended monthly cleaning procedure:

Clean Washer Cycle

This washer has a special cycle that uses higher water volumes in combination with affresh® Washer Cleaner or liquid chlorine bleach to clean the inside of the washer.

Begin procedure

1. affresh® Washer Cleaner Cycle Procedure (Recommended for Best Performance):

- a. Open the washer lid and remove any clothing or items.
- b. Place an affresh® Washer Cleaner tablet in the bottom of the washer basket.
- c. Do not place an affresh® Washer Cleaner tablet in the detergent dispenser.
- d. Do not add any detergent or other chemical to the washer when following this procedure.
- e. Close the washer lid.
- f. Select the CLEAN WASHER cycle.
- g. Touch and hold the START/PAUSE button to begin the cycle. The Clean Washer Cycle Operation is described below.

NOTE: For best results, do not interrupt cycle. If cycle must be interrupted, touch POWER. After the Clean Washer cycle has stopped, run a RINSE & SPIN cycle to rinse cleaner from washer.

WASHER CARE (cont.)

2. Chlorine Bleach Procedure (Alternative):

- a. Open the washer lid and remove any clothing or items.
- b. Add 1 cup (236 mL) of liquid chlorine bleach to the bleach compartment.

NOTE: Use of more liquid chlorine bleach than is recommended above could cause washer damage over time.

- c. Close the washer lid.
- d. Do not add any detergent or other chemical to the washer when following this procedure.
- e. Select the CLEAN WASHER cycle.
- f. Touch and hold the START/PAUSE button to begin the cycle. The Clean Washer Cycle Operation is described below.

NOTE: For best results, do not interrupt cycle. If cycle must be interrupted, touch POWER. After the Clean Washer cycle has stopped, run a RINSE & SPIN cycle to rinse cleaner from washer.

Description of Clean Washer Cycle Operation:

1. This cycle will fill to a water level higher than in normal wash cycles to provide rinsing at a level above the water line for normal wash cycle.
2. During this cycle, there will be some agitation and spinning to increase the removal of soils.

After this cycle is complete, leave the lid open to allow for better ventilation and drying of the washer interior.

Cleaning the Dispensers

After a period of using your washer, you may find some residue buildup in the washer's dispensers. To remove residue from the dispensers, wipe them with a damp cloth and towel dry. Do not attempt to remove the dispensers or trim for cleaning. The dispensers and trim are not removable. If your model has a dispenser drawer, however, remove the drawer and clean it before or after you run the Clean Washer cycle. Use an all purpose surface cleaner, if needed.

Cleaning the Outside of the Washer

Use a soft, damp cloth or sponge to wipe away any spills. Use only mild soaps or cleaners when cleaning external washer surfaces.

IMPORTANT: To avoid damaging the washer's finish, do not use abrasive products.

NON-USE AND VACATION CARE

Operate your washer only when you are home. If moving, or not using your washer for a period of time, follow these steps:

1. Unplug or disconnect power to washer.
2. Turn off water supply to washer, to avoid flooding due to water pressure surge.

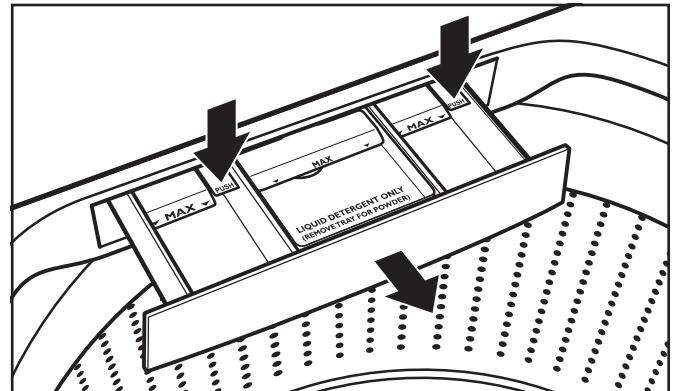
CLEANING YOUR DISPENSER

(*Varies according to model)

You may find laundry product residue leftover in your dispenser drawer or in bulk dispenser. To remove residue, follow below recommended cleaning procedures:

Dispenser Drawer

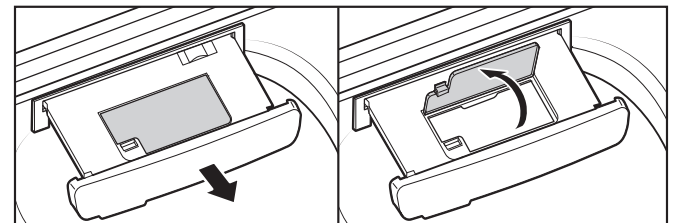
1. Pull drawer out until you feel resistance.
2. Push 2 tabs downward, and then continue pulling out.
3. Wash in warm, soapy water, using a mild detergent.
4. Rinse with warm water.
5. Air dry, or dry with a towel, then place back into slot.



IMPORTANT: Dispenser drawer and tray are not dishwasher safe.

Bulk Dispenser

1. Pull drawer completely out.
2. Open dispenser lid.
3. Rinse with warm water.
4. Air dry or dry with a towel, then place back into slot.



IMPORTANT: Bulk dispenser and tray are not dishwasher safe.

WINTER STORAGE CARE

IMPORTANT: To avoid damage, install and store washer where it will not freeze. Because some water may stay in hoses, freezing can damage washer. If storing or moving during freezing weather, winterize your washer.

To winterize washer:

1. Shut off both water faucets; disconnect and drain water inlet hoses.
2. Put 1 qt. (1 L) of R/V/-type antifreeze into empty basket.
3. Unplug washer or disconnect power.

TRANSPORTING YOUR WASHER

1. Shut off both water faucets. Disconnect and drain water inlet hoses.
2. If washer will be moved during freezing weather, follow WINTER STORAGE CARE directions before moving.
3. Disconnect drain hose from drain system and drain any remaining water into a pan or bucket. Disconnect drain hose from back of washer.
4. Unplug power cord.
5. Place inlet hoses and drain hose inside washer basket.
6. Drape power cord over edge and into washer basket.
7. Place packing tray from original shipping materials back inside washer. If you do not have packing tray, place heavy blankets or towels into basket opening. Close lid and place tape over lid and down front of washer. Keep lid taped until washer is placed in new location. Transport washer in upright position.

⚠️ WARNING



Electrical Shock Hazard

Plug into a grounded 3 prong outlet.

Do not remove ground prong.

Do not use an adapter.

Do not use an extension cord.

Failure to follow these instructions can result in death, fire, or electrical shock.

REINSTALLING/USING WASHER AGAIN

To reinstall washer after non-use, vacation, winter storage, or moving:

1. Refer to "Installation & Care Instructions Manual" to locate, level, and connect washer.
2. Before using again, run washer through the following recommended procedure:

To use washer again:

1. Flush water pipes and hoses. Reconnect water inlet hoses. Turn on both water faucets.
2. Plug in washer or reconnect power.
3. Run washer through BEDDING cycle to clean washer and remove antifreeze, if used. Use only HE (High Efficiency) detergent. Use ½ the manufacturer's recommended amount for a medium-size load.

SÉCURITÉ DE LA LAVEUSE

Votre sécurité et celle des autres est très importante.

Nous donnons de nombreux messages de sécurité importants dans ce manuel et sur votre appareil ménager. Assurez-vous de toujours lire tous les messages de sécurité et de vous y conformer.



Voici le symbole d'alerte de sécurité.

Ce symbole d'alerte de sécurité vous signale les dangers potentiels de décès et de blessures graves à vous et à d'autres.

Tous les messages de sécurité suivront le symbole d'alerte de sécurité et le mot "DANGER" ou "AVERTISSEMENT". Ces mots signifient :

⚠ DANGER

Risque possible de décès ou de blessure grave si vous ne suivez pas immédiatement les instructions.

⚠ AVERTISSEMENT

Risque possible de décès ou de blessure grave si vous ne suivez pas les instructions.

Tous les messages de sécurité vous diront quel est le danger potentiel et vous disent comment réduire le risque de blessure et ce qui peut se produire en cas de non-respect des instructions.

IMPORTANTES INSTRUCTIONS DE SÉCURITÉ

AVERTISSEMENT : Pour réduire les risques d'incendie, de choc électrique ou de blessures lors de l'utilisation de la laveuse, suivre les précautions fondamentales dont les suivantes :

- Lire toutes les instructions avant d'utiliser la laveuse.
- Ne pas laver des articles qui ont été nettoyés ou lavés avec de l'essence ou imbibés d'essence, solvants de nettoyage à sec, ou autres substances inflammables ou explosives; ces substances peuvent émettre des vapeurs susceptibles de s'enflammer ou d'exploser.
- Ne pas ajouter d'essence, solvant de nettoyage à sec ou autre produit inflammable ou explosif dans l'eau de lavage. Ces substances peuvent émettre des vapeurs susceptibles de s'enflammer ou d'exploser.
- Dans certaines conditions, de l'hydrogène gazeux peut se former dans un circuit d'eau chaude qui n'a pas été utilisé pendant 2 semaines ou plus. **LE GAZ HYDROGÈNE EST EXPLOSIBLE.** Si le circuit d'eau chaude n'a pas été utilisé pendant une telle période, avant d'utiliser la laveuse, ouvrir tous les robinets d'eau chaude et laisser l'eau s'écouler pendant plusieurs minutes par chaque robinet. Ceci permettra l'évacuation de l'hydrogène gazeux accumulé. Comme ce gaz est inflammable, ne pas fumer ou utiliser une flamme nue au cours de cette période.
- Ne pas laisser des enfants jouer sur ou à l'intérieur de la laveuse. Bien surveiller les enfants lorsque la laveuse est utilisée à proximité d'enfants.
- Avant de mettre la laveuse au rebut ou hors de service, enlever la porte ou le couvercle.
- Ne pas tenter d'atteindre un article à l'intérieur de la cuve de la laveuse lorsque le tambour, la cuve ou l'agitateur est en mouvement.
- Ne pas installer ou remiser cette laveuse à un endroit où elle serait exposée aux intempéries.
- Ne pas modifier les organes de commande.
- Ne pas réparer ou remplacer un composant quelconque de la laveuse, ni entreprendre une opération de service, si ce n'est spécifiquement recommandé dans ce manuel ou dans un manuel d'instructions de réparations destiné à l'utilisateur; il est alors essentiel que la personne concernée comprenne ces instructions et soit compétente pour les exécuter.
- Pour les instructions de liaison à la terre, voir instructions d'installation.

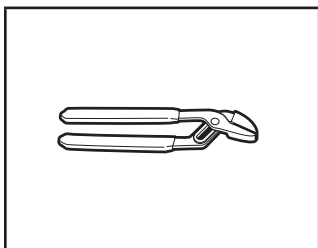
CONSERVEZ CES INSTRUCTIONS

EXIGENCES D'INSTALLATION

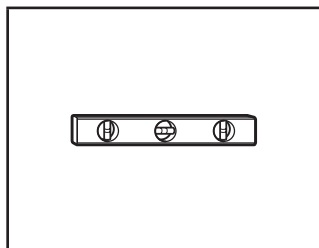
Outils et pièces

Rassembler les outils et composants nécessaires avant d'entreprendre le processus d'installation.

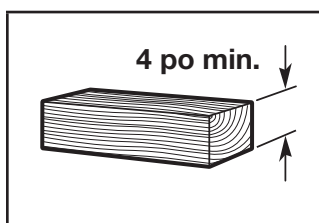
Outils nécessaires



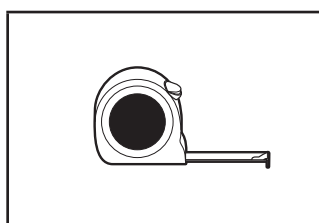
Pince multiprise (ouverture jusqu'à 1 3/4 po)



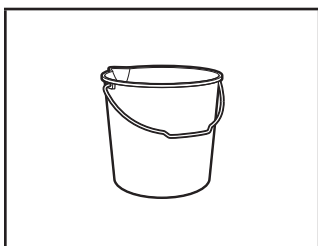
Niveau



Bloc en bois



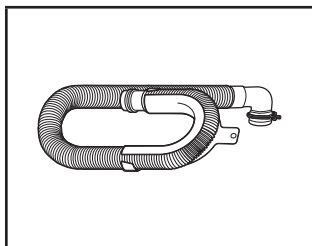
Règle ou mètre ruban



Seau

Pièces fournies :

REMARQUE : Toutes les pièces fournies pour l'installation se situent dans des emballages de carton, dans le haut de la laveuse.



Tuyau d'évacuation avec bride, forme en U et serre-câbles

Pièces nécessaires (non fournies avec la laveuse) :



Tuyaux d'arrivée d'eau avec rondelles plates

Exigences d'emplacement

Le choix d'un emplacement approprié pour la laveuse améliore le rendement et réduit au minimum le bruit et le « déplacement » possible de la laveuse. La laveuse peut être installée dans un sous-sol, une salle de buanderie, un placard ou un encastrement.

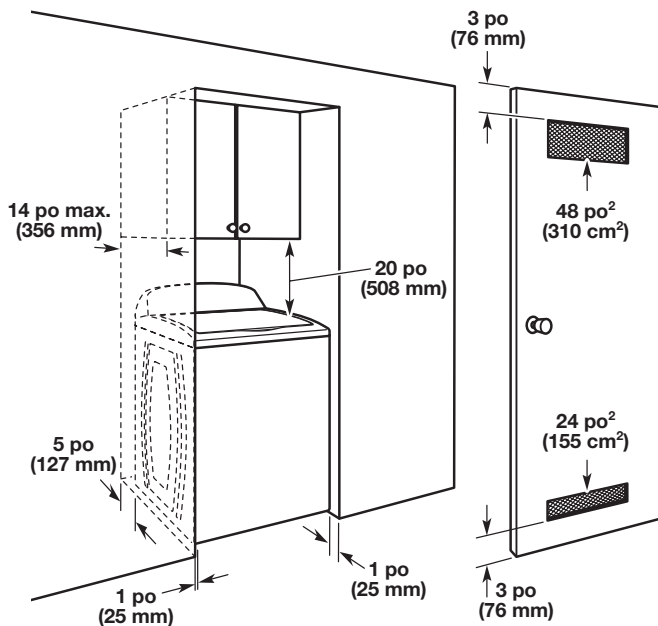
Il vous faudra

- Un chauffe-eau réglé à 120 °F (49 °C).
- Une prise électrique reliée à la terre et située à moins de 4 pi (1,2 m) du cordon d'alimentation à l'arrière de la laveuse.
- Des robinets d'eau chaude et d'eau froide situés à moins de 3 pi (0,9 m) des électrovannes de remplissage d'eau chaude et d'eau froide sur la laveuse, et une pression d'eau de 20-100 lb/po² (138 à 690 kPa).
- Un plancher de niveau avec une pente maximale de 1 po (25 mm) sous l'ensemble de la laveuse. L'installation sur du tapis n'est pas recommandée.
- Un plancher capable de supporter le poids total de 315 lb (143 kg) de la laveuse (eau et charge comprises).

IMPORTANT : Ne pas installer, remiser ou faire fonctionner la laveuse à un emplacement où elle sera exposée aux intempéries ou à des températures inférieures à 32 °F (0 °C). De l'eau restée dans la laveuse après utilisation peut causer des dommages à basse température. Voir la section « Entretien pour entreposage hivernal » pour plus d'informations sur l'hivernisation.

C'est à l'utilisateur qu'incombe la responsabilité de réaliser une installation correcte.

Installation dans un encastrement ou placard

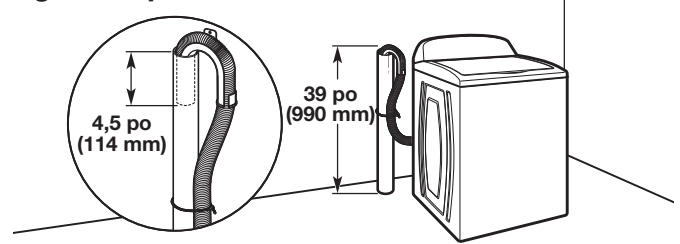


Les dimensions représentent les dégagements recommandés permis, hormis pour les ouvertures de ventilation de la porte de l'armoire qui correspondent aux dimensions minimales nécessaires. Cette laveuse a été testée pour une installation avec dégagement de 0 po (0 mm) sur les côtés. On peut éventuellement laisser davantage de dégagement pour faciliter l'installation et l'entretien, ainsi que des distances de séparation pour les appareils ménagers voisins et des dégagements pour les murs, portes et plinthes. Ajouter un espace supplémentaire de 1 po (25 mm) de tous les côtés de la laveuse pour réduire le transfert de bruit. Si l'on installe une porte de placard ou une porte à persiennes, des ouvertures d'aération au sommet et au bas de la porte sont nécessaires.

Système de vidange

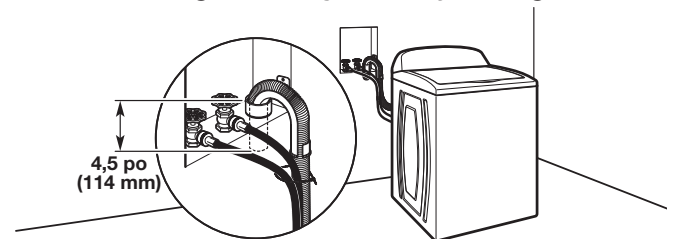
Le système de vidange peut être installé à l'aide d'un conduit d'évacuation au plancher, un tuyau rigide de rejet à l'égout mural, un tuyau rigide de rejet à l'égout au plancher ou un évier de buanderie. Sélectionner la méthode à utiliser.

Système de vidange avec tuyau de rejet à l'égout au plancher



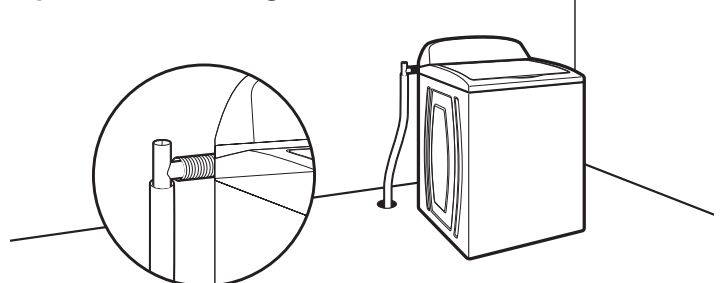
Diamètre minimal pour un tuyau de rejet à l'égout : 2 po (51 mm). Capacité minimale d'acheminement : 17 gal (64 L) par minute. Le sommet du tuyau de rejet à l'égout doit avoir une hauteur d'au moins 39 po (990 mm); ne pas l'installer à plus de 96 po (2,44 m) du bas de la laveuse. Si l'on doit l'installer à plus de 96 po (2,44 m) de hauteur, un système de pompe de puisard est nécessaire.

Système de vidange avec tuyau de rejet à l'égout mural



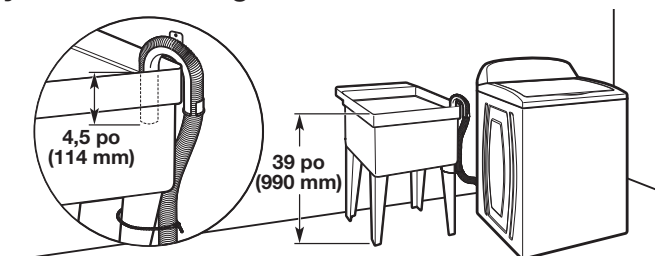
Voir les exigences pour le système de vidange avec tuyau de rejet à l'égout au plancher.

Système de vidange au sol



Le système de vidange au plancher nécessite un ensemble brise-siphon (numéro de pièce 285834), deux ensembles de raccordement (numéro de pièce 285835) et une rallonge de tuyau de vidange (numéro de pièce 285863) qui peuvent être achetés séparément. Pour commander, consulter les numéros de téléphone sans frais de la section « Assistance ou Service ». Dimension minimale pour le brise-siphon : 28 po (710 mm) à partir du fond de la laveuse. (Des tuyaux supplémentaires peuvent être requis.)

Système de vidange dans un évier de buanderie



Capacité minimale : 20 gal (76 L). Le sommet de l'évier de buanderie doit se trouver à au moins 39 po (990 mm) du plancher; ne pas l'installer à plus de 96 po (2,44 m) du fond de la laveuse.

IMPORTANT : Pour éviter un effet de siphon, ne pas introduire plus de 4,5 po (114 mm) de tuyau de vidange à l'intérieur du tuyau de rejet à l'égout ou sous la partie supérieure de la cuve de lavage. Immobiliser le tuyau de vidange avec le serre-câbles.

Spécifications électriques

⚠ AVERTISSEMENT



Risque de choc électrique

Brancher sur une prise à 3 alvéoles reliée à la terre.

Ne pas enlever la broche de liaison à la terre.

Ne pas utiliser un adaptateur.

Ne pas utiliser un câble de rallonge.

Le non-respect de ces instructions peut causer un décès, un incendie ou un choc électrique.

- Une source d'alimentation de 120 V CA à 60 Hz uniquement et protégée par fusible de 15 ou 20 A est nécessaire. On recommande d'utiliser un fusible ou un disjoncteur temporisé. Il est recommandé de raccorder l'appareil sur un circuit distinct exclusif à cet appareil.
- Cette laveuse comporte un cordon d'alimentation électrique à trois broches pour liaison à la terre.
- Pour minimiser les risques de décharge électrique, on doit brancher le cordon sur une prise de courant de configuration correspondante, à 3 alvéoles, reliée à la terre et installée conformément aux codes et règlements locaux. Si une prise de courant de configuration correspondante n'est pas accessible, le client a la responsabilité et l'obligation de faire installer par un électricien qualifié une prise de courant correctement reliée à la terre.
- Si les codes le permettent et si on utilise un conducteur distinct de mise à la terre, il est recommandé qu'un électricien qualifié vérifie la qualité de la mise à la terre.
- Ne pas utiliser une tuyauterie de gaz pour le raccordement à la terre.
- En cas de doute quant à la qualité de la mise à la terre de la laveuse, consulter un électricien qualifié.
- Ne pas installer un fusible dans le conducteur neutre ou le circuit de liaison à la terre.

INSTRUCTIONS DE LIAISON À LA TERRE

Pour une laveuse reliée à la terre et connectée par un cordon :

Cette laveuse doit être reliée à la terre. En cas d'anomalie de fonctionnement ou de panne, la liaison à la terre réduira le risque de choc électrique en offrant au courant électrique un itinéraire d'évacuation de moindre résistance. Cette laveuse est alimentée par un cordon électrique comportant un conducteur relié à la terre et une fiche de branchement munie d'une broche de liaison à la terre. La fiche doit être branchée sur une prise de courant appropriée qui est bien installée et reliée à la terre conformément à tous les codes et règlements locaux.

AVERTISSEMENT : Le raccordement incorrect de cet appareil au conducteur de liaison à la terre peut susciter un risque de choc électrique. En cas de doute quant à la qualité de la liaison à la terre de l'appareil, consulter un électricien ou technicien d'entretien qualifié.

Ne pas modifier la fiche de branchement fournie avec l'appareil – si la fiche ne correspond pas à la configuration de la prise de courant, demander à un électricien qualifié d'installer une prise de courant convenable.

Pour une laveuse raccordée en permanence :

Cette laveuse doit être raccordée à un système de câblage permanent en métal relié à la terre ou un conducteur relié à la terre doit être en fonction avec les conducteurs de circuit et raccordés à la borne de liaison à la terre ou la borne sur l'appareil ménager.

INSTRUCTIONS D'INSTALLATION

⚠ AVERTISSEMENT

Risque du poids excessif

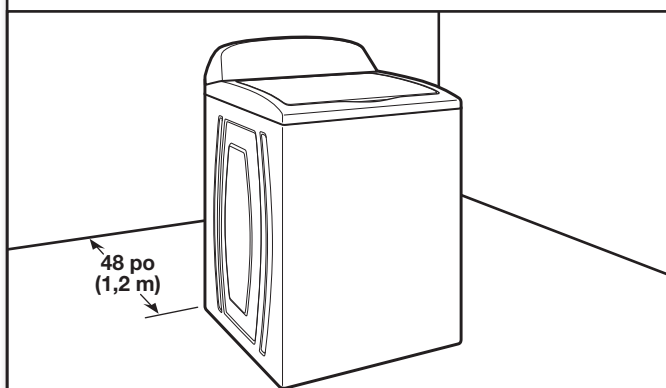
Utiliser deux ou plus de personnes pour déplacer et installer la laveuse.

Le non-respect de cette instruction peut causer une blessure au dos ou d'autre blessure.

Avant de commencer : Enlever les matériaux d'expédition.

Il est nécessaire de retirer tout le matériel d'expédition pour un fonctionnement correct et pour éviter que la laveuse ne fasse trop de bruit.

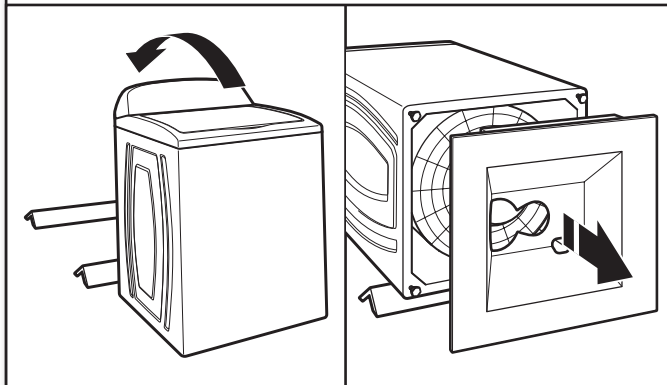
1. Déplacer la laveuse



Déplacer la laveuse à moins de 4 pi (1,2 m) de son emplacement final; elle doit être en position complètement verticale.

REMARQUE : Pour éviter d'endommager le plancher, placer la laveuse sur du carton avant de la déplacer et s'assurer que le couvercle est bien fermé à l'aide de ruban collant.

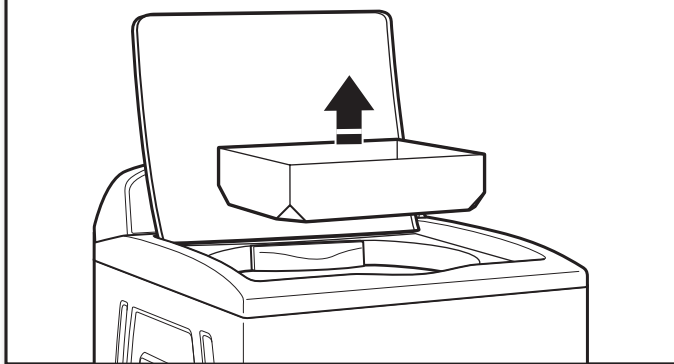
2. Enlever la base d'expédition



Afin d'éviter d'endommager le plancher, placer les supports en carton du carton d'expédition sur le plancher, derrière la laveuse. Incliner la laveuse vers l'arrière et la placer sur les supports en carton. Enlever la base d'expédition. Redresser la laveuse en position verticale.

IMPORTANT : Le retrait de la base d'expédition est nécessaire au bon fonctionnement de l'appareil. Si la laveuse comprend une plaque d'insonorisation, consulter les instructions fournies avec la plaque d'insonorisation pour l'installer maintenant.

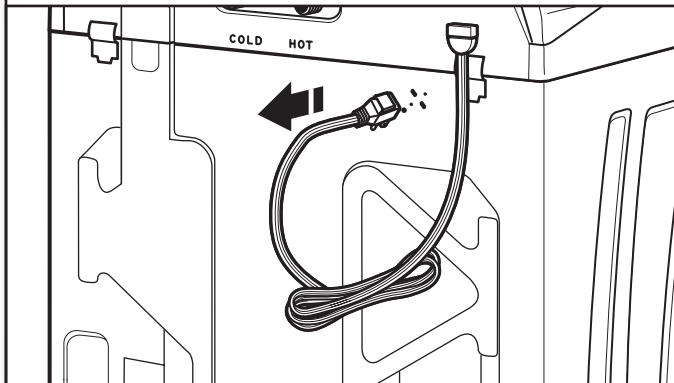
3. Retrait du carton plat du tambour



Retirer le ruban adhésif du couvercle de la laveuse, ouvrir le couvercle et retirer le carton plat d'emballage de la cuve. Retirer tous les matériaux d'emballage de la cuve de la laveuse. Veiller à retirer toutes les pièces du carton plat.

REMARQUE : Conserver le carton plat au cas où il faudrait déplacer la laveuse ultérieurement.

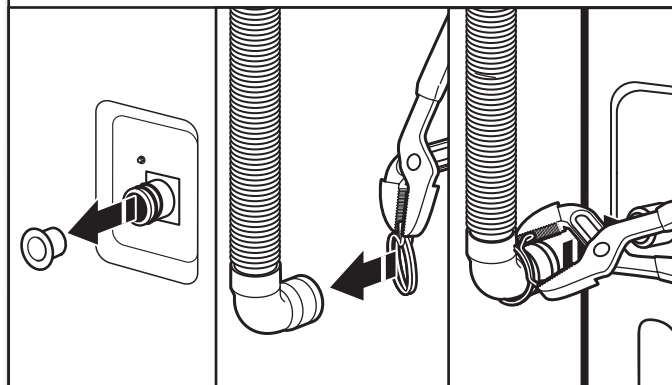
4. Libérer le cordon d'alimentation



Saisir fermement le cordon d'alimentation et le tirer pour le libérer du panneau arrière. Placer délicatement le cordon d'alimentation par dessus la console pour permettre le libre accès à l'arrière de la laveuse.

Raccordement du tuyau de vidange

5. Fixation du tuyau de vidange à l'orifice de vidange



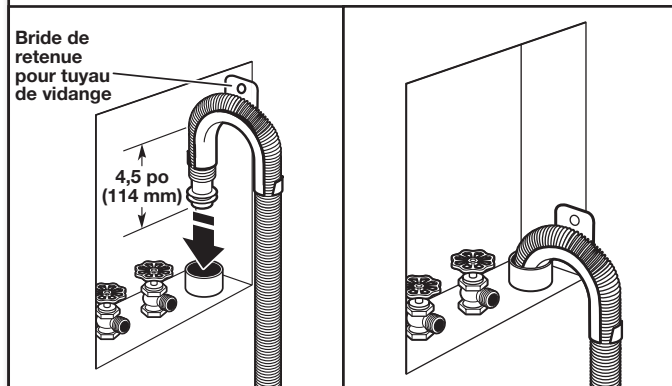
Retirer le bouchon en plastique rouge de l'orifice de vidange noir situé à l'arrière de la laveuse.

Si la bride n'est pas déjà installée sur l'extrémité coudée du tuyau de vidange, la faire glisser sur l'extrémité comme indiqué. Serrer la bride avec une pince et faire glisser à nouveau l'extrémité coudée du tuyau de vidange sur l'orifice de vidange noir, puis fixer avec la bride.

Pour un évier de buanderie ou un tuyau de rejet à l'égout rigide, passer à l'étape 6.

Pour une vidange au plancher, retirer la bride retenue pour tuyau de vidange préinstallée, comme indiqué à l'étape 7. Des pièces supplémentaires avec des directives distinctes seront peut-être nécessaires. Voir la section « Outils et pièces ».

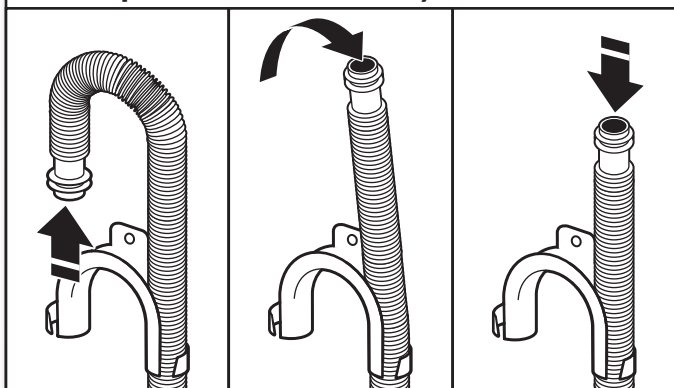
6. Placer le tuyau de vidange dans le tuyau de rejet à l'égout



Placer le tuyau dans le tuyau de rejet à l'égout (illustré à l'image) ou par-dessus le côté de l'évier de buanderie.

IMPORTANT : 4,5 po (114 mm) de tuyau de vidange soit se trouver à l'intérieur du tuyau de rejet à l'égout; ne pas forcer l'excédent de tuyau dans le tuyau de rejet à l'égout ni le placer dans l'évier de buanderie. On doit utiliser la bride de retenue pour tuyau de vidange.

7. Enlever la bride de retenue pour tuyau de vidange (installations avec vidange au plancher seulement)



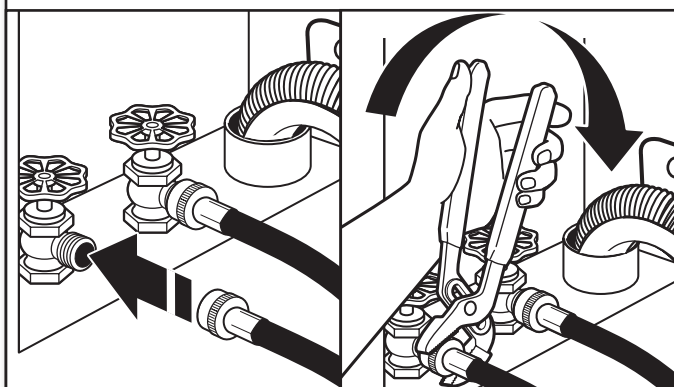
Pour les installations avec vidange au plancher, il faut retirer la bride de retenue pour tuyau de vidange de l'extrémité du tuyau de vidange. Des pièces supplémentaires avec des directives distinctes seront peut-être nécessaires. Voir la section « Outils et pièces ».

Raccordement des tuyaux d'alimentation

La laveuse doit être raccordée aux robinets d'eau à l'aide des tuyaux d'arrivée d'eau et des rondelles neufs (non compris). Ne pas utiliser de tuyaux usagés.

REMARQUE : Les deux tuyaux doivent être fixés et l'eau doit pénétrer dans les robinets d'arrivée d'eau. Si l'on effectue un raccordement uniquement à un robinet d'eau froide, on doit utiliser un adaptateur en Y (non fourni).

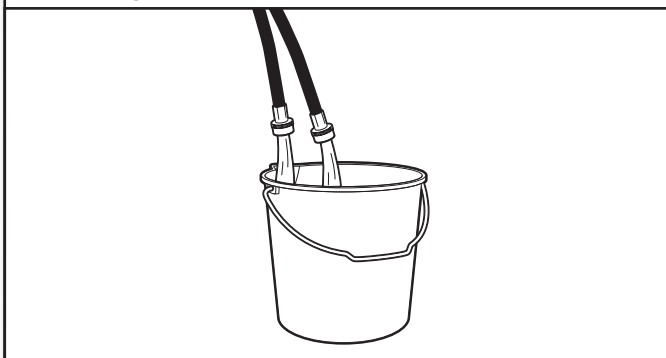
8. Connecter les tuyaux d'arrivée d'eau aux robinets



Fixer le tuyau au robinet d'eau chaude. Visser le raccord à la main pour qu'il repose sur la rondelle. Serrer les raccords de deux tiers de tour supplémentaires à l'aide d'une pince. Répéter cette étape avec le deuxième tuyau pour le robinet d'eau froide.

IMPORTANT : Ne pas serrer excessivement ni utiliser de ruban adhésif ou de dispositifs d'étanchéité lors de la fixation des robinets ou de la machine. Cela pourrait entraîner des dommages.

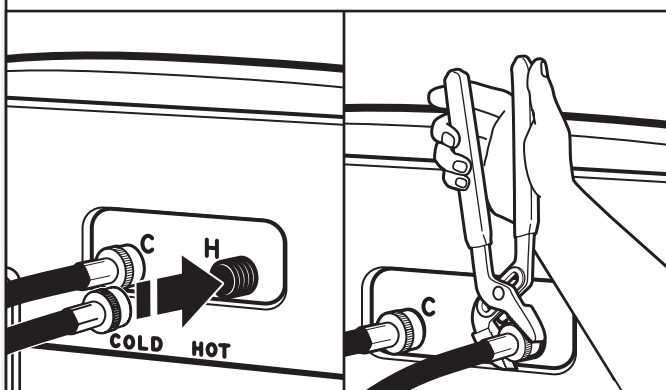
9. Purger les canalisations d'eau



Faire couler de l'eau dans les tuyaux de l'évier de buanderie, le tuyau rigide de rejet à l'égout ou le seau pendant quelques secondes pour éviter toute obstruction. On doit laisser couler l'eau jusqu'à ce qu'elle soit limpide.

Repérer quel tuyau est raccordé à l'eau chaude pour permettre une fixation correcte des tuyaux à la machine.

10. Connecter les tuyaux d'arrivée d'eau à la laveuse

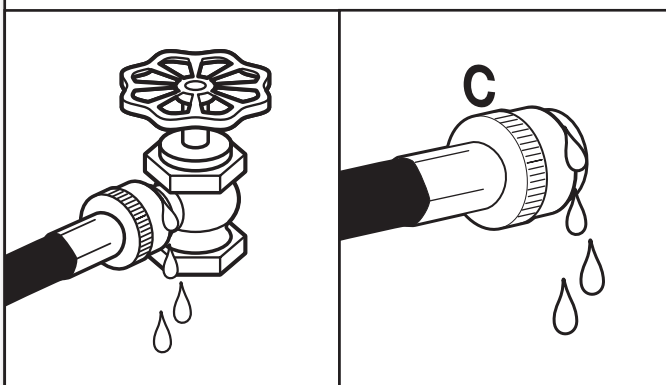


Fixer le tuyau d'eau chaude à la vanne marquée d'un anneau de valve rouge. Visser le raccord à la main jusqu'à ce qu'il soit bien serré. Serrer les raccords de deux tiers de tour supplémentaires à l'aide d'une pince. Répéter pour le robinet d'eau froide.

IMPORTANT : Pour réduire le risque de défaillance des tuyaux, remplacer les tuyaux tous les 5 ans. Inscrire la date d'installation ou de remplacement des tuyaux pour référence ultérieure.

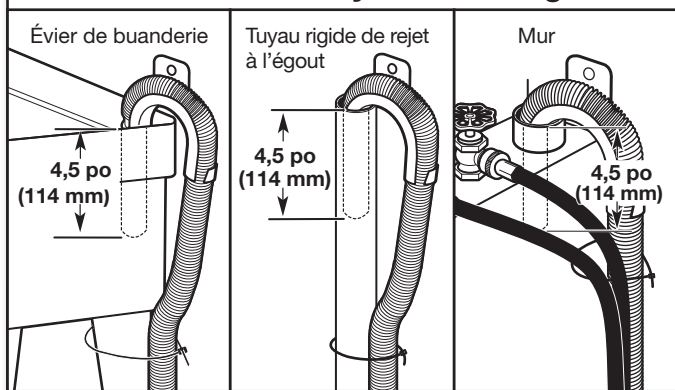
■ Inspecter périodiquement les tuyaux et les remplacer en cas de renflement, de déformation, de coupure, d'usure ou de fuite.

11. Recherche de fuites



Ouvrir les robinets d'eau pour vérifier qu'il n'y a pas de fuites. Une petite quantité d'eau peut entrer dans la laveuse. Elle s'évacuera plus tard.

12. Immobiliser le tuyau de vidange

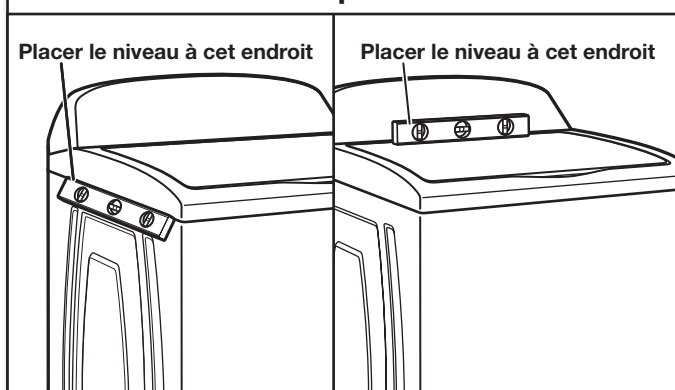


Fixer le tuyau de vidange avec le serre-câbles au pied de l'évier de buanderie, au tuyau rigide de rejet à l'égout ou aux tuyaux d'arrivée d'eau pour le tuyau de rejet à l'égout mural rigide.

Mise à niveau de la laveuse

IMPORTANT : Mettre la laveuse à niveau pour réduire le niveau sonore et les vibrations excessifs.

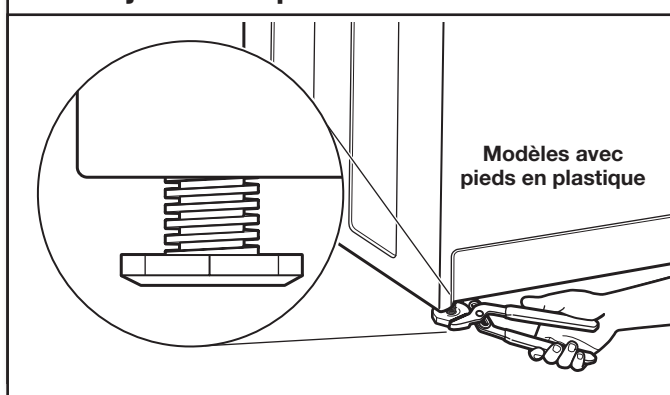
13. Vérifier le bon aplomb de la laveuse



Déplacer la laveuse à son emplacement final. Placer un niveau sur les bords supérieurs de la laveuse. Utiliser une rive latérale comme guide pour déterminer l'aplomb des côtés. Vérifier l'aplomb de l'avant à l'aide du couvercle, comme indiqué. Faire bouger la machine d'avant en arrière pour s'assurer que les quatre pieds sont bien en contact avec le plancher. Si la laveuse est d'aplomb, passer à l'étape 15.



14. Ajuster les pieds de nivellement



Si la laveuse n'est pas d'aplomb :

Utiliser des pinces réglables pour tourner le pied de nivellement en plastique dans le sens antihoraire pour abaisser la laveuse ou dans le sens horaire pour la soulever. Sur tous les modèles, contrôler à nouveau l'aplomb de la laveuse et répéter au besoin.

CONSEILS UTILES :

- Il pourrait être nécessaire de régler deux différents pieds pour mettre l'unité au niveau. S'assurer que le pied reste bien fixé à la base de la laveuse.
- Il serait judicieux de soulever l'avant de la laveuse d'environ 4 po (102 mm) à l'aide d'une cale en bois ou d'un objet similaire qui soutiendra le poids de la laveuse pendant l'ajustement.

⚠ AVERTISSEMENT



Risque de choc électrique

Brancher sur une prise à 3 alvéoles reliée à la terre.

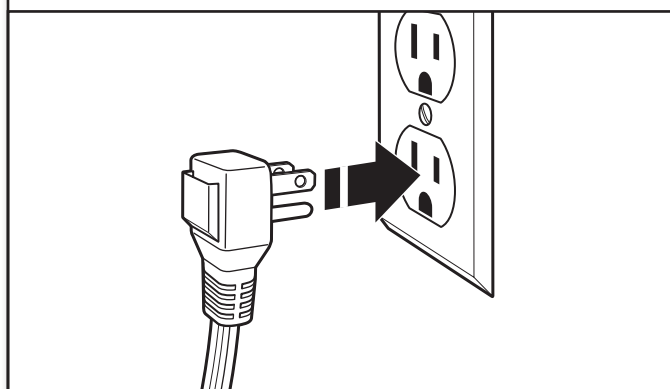
Ne pas enlever la broche de liaison à la terre.

Ne pas utiliser un adaptateur.

Ne pas utiliser un câble de rallonge.

Le non-respect de ces instructions peut causer un décès, un incendie ou un choc électrique.

15. Brancher l'appareil sur une prise à 3 alvéoles reliée à la terre



Liste de vérification pour installation terminée

- Consulter les spécifications électriques. S'assurer de disposer d'une source d'électricité appropriée, et d'une liaison à la terre conforme à la méthode recommandée.
- Vérifier que toutes les pièces sont maintenant installées. S'il reste une pièce, passer en revue les différentes étapes pour découvrir laquelle aurait été oubliée.
- Vérifier la présence de tous les outils.
- Vérifier que tout le matériel d'expédition a été retiré de la laveuse.
- Vérifier que la laveuse est de niveau.
- Vérifier que les robinets d'eau sont ouverts.
- Vérifier qu'il n'y a pas de fuite autour des robinets et des tuyaux d'arrivée d'eau.
- Ôter la pellicule protectrice de la console et tout ruban adhésif resté sur la laveuse.
- Vérifier que la laveuse est branchée sur une prise de courant à 3 alvéoles reliée à la terre.
- Éliminer/recycler tous les matériaux d'emballage.
- Lire la section « Entretien de la laveuse » de ce livret.
- Pour tester et nettoyer la laveuse, mesurer la moitié de la quantité normale recommandée de détergent en poudre ou liquide et la verser dans le panier de la laveuse ou le distributeur de détergent (sur certains modèles). Fermer le couvercle. Sélectionner n'importe quel programme. Mettre la laveuse en marche et la laisser exécuter un programme complet.

ENTRETIEN ET RÉPARATION DE LA LAVEUSE

TUYAUX D'ARRIVÉE D'EAU

Remplacer les tuyaux d'arrivée d'eau après 5 ans d'utilisation pour réduire le risque de défaillance intempestive. Inspecter périodiquement les tuyaux; les remplacer en cas de renflement, de déformation, de coupure et d'usure ou de fuite.

Lorsque vous remplacez les tuyaux d'arrivée d'eau, noter la date de remplacement au marqueur indélébile sur l'étiquette.

REMARQUE : Cette laveuse ne comprend pas de tuyaux d'arrivée d'eau. Voir le « manuel d'instruction d'installation et d'entretien » pour plus de renseignements.

ENTRETIEN DE LA LAVEUSE

Recommandations pour une laveuse propre et pour un niveau de performance optimal

1. Utiliser toujours un détergent HE (haute efficacité) et employer la quantité de détergent recommandée par le fabricant du détergent HE. Ne jamais utiliser plus que la quantité recommandée de détergent, car ceci peut augmenter le taux d'accumulation de résidus de détergent et de souillures à l'intérieur de la laveuse, ce qui pourrait entraîner la formation d'odeurs indésirables.
2. Exécuter périodiquement des lavages avec de l'eau tiède ou chaude (et non pas exclusivement des lavages à l'eau froide), car l'eau chaude permet de contrôler plus efficacement la vitesse à laquelle les saletés et les résidus de détergent s'accumulent.
3. Veiller à toujours laisser le couvercle de la laveuse ouvert entre deux utilisations pour qu'elle puisse sécher, et pour éviter l'accumulation de résidus générateurs d'odeurs.

Nettoyage de la laveuse à chargement par le dessus

Lire complètement ces instructions avant d'entreprendre les opérations de nettoyage de routine recommandées ci-dessous. Le processus d'entretien de la laveuse doit être exécuté au moins une fois par mois ou à intervalles de 30 lavages (selon la période la plus courte des deux); ceci permettra de contrôler la vitesse à laquelle les résidus de détergent et les souillures s'accumulent dans la laveuse.

Nettoyage de l'intérieur de la laveuse

Pour que l'intérieur de la laveuse reste libre de toute odeur, suivre les instructions d'utilisation indiquées ci-dessus et effectuer la procédure de nettoyage mensuelle recommandée suivante :

Programme Clean Washer (nettoyage de la laveuse)

Cette laveuse comporte un programme spécial qui utilise un volume d'eau plus important en conjonction avec le nettoyant pour laveuse affresh® ou un agent de blanchiment liquide au chlore pour nettoyer l'intérieur de la laveuse.

Début de la procédure

1. Procédure de nettoyage avec le nettoyant pour laveuse affresh® (recommandé pour une performance optimale) :
 - a. Ouvrir le couvercle de la laveuse et retirer tous les vêtements ou articles présents dans la laveuse.
 - b. Placer une pastille de nettoyant pour laveuse affresh® dans le fond du panier de la laveuse.
 - c. Ne pas placer de pastille de nettoyant pour laveuse affresh® dans le distributeur à détergent.
 - d. Ne pas ajouter de détergent ou autre composé chimique dans la laveuse lors de l'exécution de cette procédure.
 - e. Fermer le couvercle de la laveuse.

ENTRETIEN DE LA LAVEUSE (suite)

- f. Sélectionner le programme CLEAN WASHER (nettoyage de la laveuse).
- g. Toucher et maintenir enfoncé le bouton START/PAUSE (MISE EN MARCHÉ/PAUSE) pour démarrer le programme. Le processus du programme de nettoyage de la laveuse est décrit ci-dessous.

REMARQUE : Pour de meilleurs résultats, ne pas interrompre le programme. Si l'on doit interrompre le programme, appuyer sur POWER (mise sous tension). Une fois le programme de nettoyage de la laveuse terminé, effectuer un programme RINSE & SPIN (rinçage et essorage) pour rincer le nettoyant de la laveuse.

2. Méthode avec agent de blanchiment au chlore (autre option) :

- a. Ouvrir le couvercle de la laveuse et retirer tous les vêtements ou articles présents dans la laveuse.
- b. Verser 1 tasse (236 mL) d'agent de blanchiment liquide au chlore dans le distributeur d'agent de blanchiment.

REMARQUE : L'emploi d'une quantité d'eau de Javel supérieure à ce qui est recommandé ci-dessus pourrait endommager la laveuse avec le temps.

- c. Refermer le couvercle de la laveuse.
- d. Ne pas ajouter de détergent ou d'autre composé chimique dans la laveuse lors de l'exécution de cette procédure.
- e. Sélectionner le programme CLEAN WASHER (nettoyage de la laveuse).
- f. Toucher et maintenir enfoncé le bouton START/PAUSE (MISE EN MARCHÉ/PAUSE) pour démarrer le programme. Le processus du programme de nettoyage de la laveuse est décrit ci-dessous.

REMARQUE : Pour de meilleurs résultats, ne pas interrompre le programme. Si l'on doit interrompre le programme, appuyer sur POWER (mise sous tension). Une fois le programme de nettoyage de la laveuse terminé, effectuer un programme RINSE & SPIN (rinçage et essorage) pour rincer le nettoyant de la laveuse.

Description de l'utilisation du programme de nettoyage de la laveuse (CLEAN WASHER):

1. Ce programme remplit la laveuse à un niveau supérieur à celui des programmes de lavage ordinaires afin que le niveau de l'eau de rinçage soit supérieur à celui d'un programme de lavage ordinaire.
2. Ce programme comporte une agitation et un essorage pour améliorer l'élimination des souillures.

Une fois ce programme terminé, laisser le couvercle ouvert pour permettre une meilleure ventilation et pour que l'intérieur de la laveuse puisse sécher.

Nettoyage des distributeurs

Après avoir utilisé la laveuse pendant longtemps, on peut parfois constater une accumulation de résidus dans les distributeurs de la laveuse. Pour éliminer les résidus des distributeurs, les essuyer avec un chiffon humide et les sécher avec une serviette. Ne pas tenter de retirer les distributeurs ou la garniture pour le nettoyage. Les distributeurs et la garniture ne peuvent pas être retirés. Cependant, si votre modèle comporte un tiroir distributeur, retirer le tiroir et le nettoyer avant ou après avoir effectué le programme de nettoyage de la laveuse. Si nécessaire, utiliser un nettoyant tout usage.

Nettoyage de l'extérieur de la laveuse

Utiliser une éponge ou un chiffon doux et humide pour essuyer les renversements éventuels. Utiliser uniquement des savons ou nettoyants doux pour nettoyer la surface externe de la laveuse.

IMPORTANT : Afin d'éviter d'endommager le revêtement de la laveuse, ne pas utiliser de produits abrasifs.

NON UTILISATION ET ENTRETIEN EN PÉRIODE DE VACANCES

Faire fonctionner la laveuse seulement lorsqu'on est présent. Lors d'un déménagement ou si la laveuse n'est pas utilisée pendant longtemps, suivre les étapes suivantes :

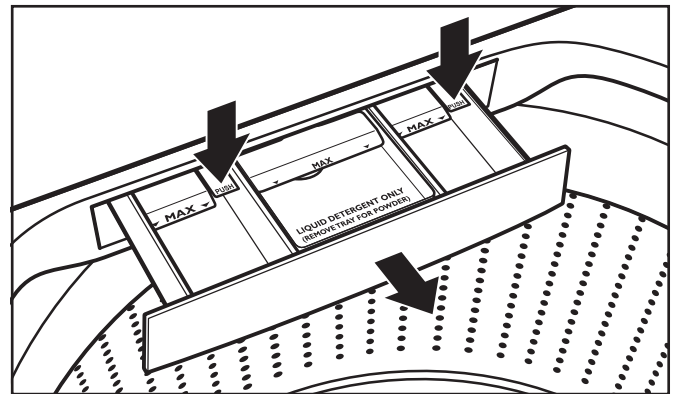
1. Débrancher la laveuse ou déconnecter la source de courant électrique.
2. Fermer l'alimentation en eau à la laveuse pour éviter toute inondation due à une surpression.

NETTOYAGE DU DISTRIBUTEUR (*varie selon le modèle)

On trouvera peut-être des traces de produits de lessive dans le tiroir du distributeur ou le distributeur de vac. Pour éliminer ces traces, suivre les procédures de nettoyage recommandées ci-après :

Tiroir du distributeur

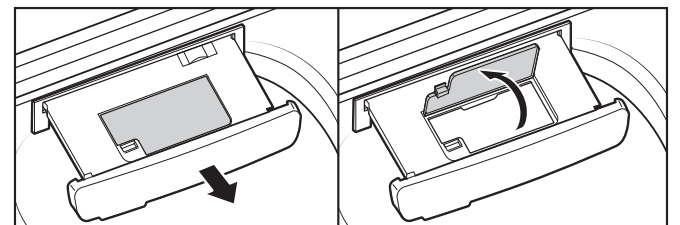
1. Tirer le tiroir jusqu'à ce que l'on sente une résistance.
2. Appuyer sur les 2 onglets, et continuer à tirer.
3. Laver dans une eau tiède et savonneuse avec un détergent doux.
4. Rincer à l'eau tiède.
5. Sécher à l'air ou avec une serviette, puis le replacer dans son logement.



IMPORTANT : Le tiroir et le plateau du distributeur ne sont pas lavables au lave-vaisselle.

Distributeur de vac

1. Sortir complètement le tiroir.
2. Ouvrir le couvercle du distributeur.
3. Rincer à l'eau tiède.
4. Sécher à l'air ou avec une serviette, puis le replacer dans son logement.



IMPORTANT : Le distributeur de vac et le tiroir ne sont pas lavables au lave-vaisselle.

ENTRETIEN POUR ENTREPOSAGE HIVERNAL

IMPORTANT : Pour éviter tout dommage, installer et remettre la laveuse à l'abri du gel. L'eau qui peut rester dans les tuyaux risque d'abîmer la laveuse en temps de gel. Si la laveuse doit faire l'objet d'un déménagement ou d'un entreposage au cours d'une période de gel, hivériser la laveuse.

Hivérissation de la laveuse :

1. Fermer les deux robinets d'eau; déconnecter et vidanger les tuyaux d'arrivée d'eau.
2. Verser 1 pte (1 L) d'antigel pour véhicule récréatif dans le panier vide.
3. Débrancher la laveuse ou déconnecter la source de courant électrique.

TRANSPORT DE LA LAVEUSE

1. Fermer les deux robinets d'eau. Débrancher et vidanger les tuyaux d'arrivée d'eau.
2. Si l'on déplace la laveuse pendant une période de gel, suivre les instructions de la section ENTRETIEN POUR ENTREPOSAGE HIVERNAL avant de la déplacer.
3. Déconnecter le tuyau d'évacuation du système de vidange et vider l'eau qui reste dans un bac ou un seau. Déconnecter le tuyau d'évacuation de l'arrière de la laveuse.
4. Débrancher le cordon d'alimentation.
5. Placer les tuyaux d'arrivée d'eau et le tuyau d'évacuation dans le panier de la laveuse.
6. Faire passer le cordon d'alimentation par dessus le bord et le mettre dans le panier de la laveuse.
7. Replacer le support d'emballage de l'appareil à l'intérieur de la laveuse. Si vous ne possédez plus le support d'emballage de l'appareil, placer des couvertures lourdes ou des serviettes dans l'ouverture du panier. Fermer le couvercle et placer du ruban adhésif sur le couvercle et jusqu'à la partie inférieure avant de la laveuse. Laisser le couvercle fermé par l'adhésif jusqu'à ce que la laveuse soit installée à son nouvel emplacement. Déplacer la laveuse en position verticale.

⚠ AVERTISSEMENT



Risque de choc électrique

Brancher sur une prise à 3 alvéoles reliée à la terre.

Ne pas enlever la broche de liaison à la terre.

Ne pas utiliser un adaptateur.

Ne pas utiliser un câble de rallonge.

Le non-respect de ces instructions peut causer un décès, un incendie ou un choc électrique.

RÉINSTALLATION/RÉUTILISATION DE LA LAVEUSE

Pour réinstaller la laveuse après une période de non-utilisation, de vacances, de remisage pour l'hiver ou après un déménagement :

1. Consulter le « manuel d'instructions d'installation et d'entretien » pour choisir l'emplacement, régler l'aplomb de la laveuse et la raccorder.
2. Avant de réutiliser la laveuse, exécuter la procédure recommandée suivante :

Remise en marche de la laveuse :

1. Vidanger les canalisations d'eau et les tuyaux. Reconnecter les tuyaux d'arrivée d'eau. Ouvrir les deux robinets d'eau.
2. Brancher la laveuse ou reconnecter la source de courant électrique.
3. Faire exécuter à la laveuse le programme BEDDING (litière) pour nettoyer la laveuse et éliminer l'antigel, le cas échéant. Utiliser uniquement du détergent HE (haute efficacité). Utiliser la moitié de la quantité recommandée par le fabricant pour une charge de taille moyenne.

SEGURIDAD DE LA LAVADORA

Su seguridad y la seguridad de los demás es muy importante.

Hemos incluido muchos mensajes importantes de seguridad en este manual y en su electrodoméstico. Lea y obedezca siempre todos los mensajes de seguridad.



Este es el símbolo de alerta de seguridad.

Este símbolo le llama la atención sobre peligros potenciales que pueden ocasionar la muerte o una lesión a usted y a los demás.

Todos los mensajes de seguridad irán a continuación del símbolo de advertencia de seguridad y de la palabra "PELIGRO" o "ADVERTENCIA". Estas palabras significan:

 **PELIGRO**

Si no sigue las instrucciones de inmediato, usted puede morir o sufrir una lesión grave.

 **ADVERTENCIA**

Si no sigue las instrucciones, usted puede morir o sufrir una lesión grave.

Todos los mensajes de seguridad le dirán el peligro potencial, le dirán cómo reducir las posibilidades de sufrir una lesión y lo que puede suceder si no se siguen las instrucciones.

INSTRUCCIONES IMPORTANTES DE SEGURIDAD

ADVERTENCIA: Para reducir el riesgo de incendio, choque eléctrico o lesiones a personas al usar su lavadora, siga las precauciones básicas, incluyendo las siguientes:

- Lea todas las instrucciones antes de usar la lavadora.
- No lave artículos que hayan sido previamente limpiados, lavados, remojados o humedecidos con gasolina, solventes para lavar en seco, u otras sustancias inflamables o explosivas ya que éstas emanan vapores que podrían encenderse o causar una explosión.
- No agregue gasolina, solventes para lavar en seco, u otras sustancias inflamables o explosivas al agua de lavado. Estas sustancias emanan vapores que podrían encenderse o causar una explosión.
- En ciertas condiciones, puede generarse gas hidrógeno en un sistema de agua caliente que no se haya usado por dos semanas o un período mayor. EL GAS HIDRÓGENO ES EXPLOSIVO. Si no se ha usado el agua caliente durante dicho período, antes de usar la lavadora, abra todos los grifos de agua caliente y deje que corra el agua por varios minutos. Esto liberará todo el gas hidrógeno que se haya acumulado. Debido a la inflamabilidad de dicho gas, no fume ni use una llama abierta durante este lapso.
- No permita que los niños jueguen encima o dentro de la lavadora. Es necesario una supervisión cuidadosa de los niños toda vez que se use la lavadora cerca de ellos.
- Antes de poner la lavadora fuera de servicio o desecharla, quítele la puerta o la tapa.
- No introduzca las manos en la lavadora si el tambor, la tina, o el agitador están funcionando.
- No instale ni almacene esta lavadora donde pudiese estar sometida a la intemperie.
- No trate de forzar los controles.
- No repare ni cambie pieza alguna de la lavadora ni intente realizar tarea alguna de servicio técnico, excepto cuando así se le indique específicamente en este manual o en instrucciones de reparación para el usuario publicadas, que usted entienda y para cuya ejecución cuente con la habilidad necesaria.
- Para obtener información respecto a las instrucciones de conexión a tierra, consulte "Requisitos eléctricos" en las instrucciones de instalación.

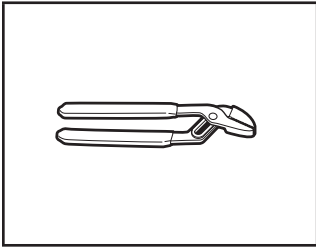
GUARDE ESTAS INSTRUCCIONES

REQUISITOS DE INSTALACIÓN

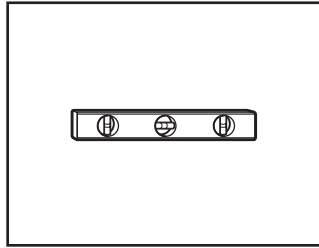
Herramientas y piezas

Reúna las herramientas y piezas necesarias antes de comenzar la instalación.

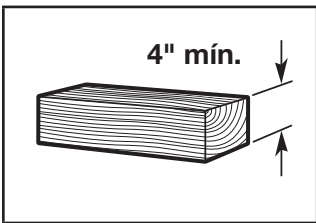
Herramientas necesarias



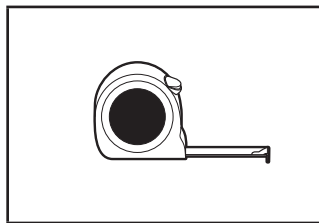
Pinzas que se abran a 1 3/4"



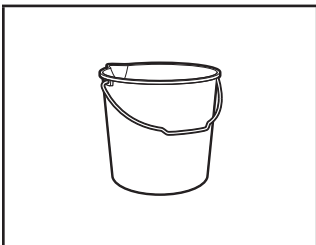
Nivel



Bloque de madera



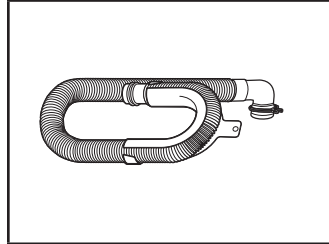
Regla o cinta para medir



Cubeta

Piezas suministradas:

NOTA: Todas la piezas suministradas para la instalación están en una caja de cartón separada, en la parte superior de la lavadora.



Manguera de desagote con abrazadera, molde en forma de U y atadura para cables

Piezas necesarias (no se suministran con la lavadora):



Mangueras de entrada con arandelas planas

Requisitos de ubicación

Seleccione una ubicación apropiada para su lavadora, para realzar el rendimiento y reducir al mínimo el ruido y la posible "caminata" de la lavadora. Instale su lavadora en un sótano, cuarto para lavar, clóset o un lugar empotrado.

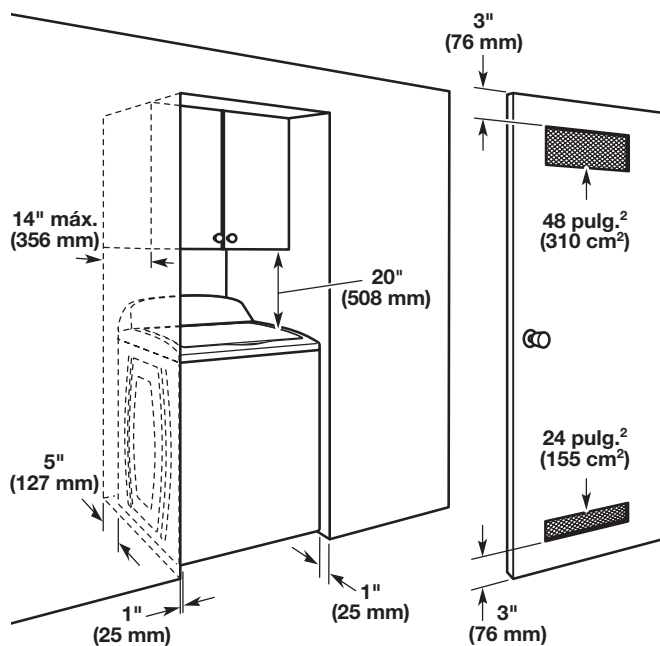
Usted necesitará

- Un calentador de agua en 120 °F (49 °C).
- Un tomacorriente con conexión a tierra ubicado a no más de 4 pies (1,2 m) del cable eléctrico detrás de la lavadora.
- Grifos de agua caliente y de agua fría ubicados a una distancia de no más de 3 pies (0,9 m) de las válvulas de llenado del agua caliente y fría de la lavadora, y una presión de agua de 20 - 100 psi (138 - 690 kPa).
- Un piso nivelado con un declive máximo de 1" (25 mm) debajo de la lavadora completa. No se recomienda la instalación sobre alfombra.
- El piso debe sostener el peso total de la lavadora (con el agua y la carga) de 315 lb (143 kg).

IMPORTANTE: No instale, guarde ni utilice la lavadora en donde quede expuesta a la intemperie o a temperaturas por debajo de 32 °F (0 °C). En temperaturas bajas, el agua que quede dentro de la lavadora luego del uso podría ocasionar daños. Consulte la sección "Cuidado para el almacenamiento durante el invierno" para obtener información al respecto.

La instalación correcta es su responsabilidad.

Instalación en área empotrada o en clóset

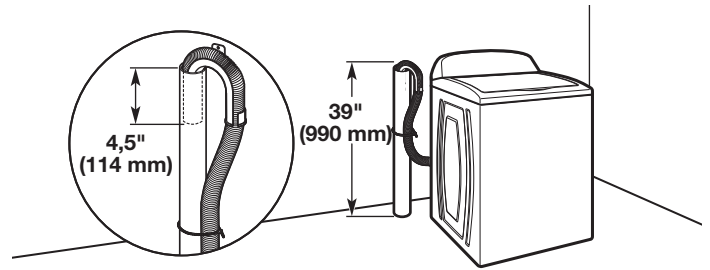


Las dimensiones muestran los espacios permitidos recomendados, excepto por las aberturas de ventilación para clósets, las cuales son las mínimas necesarias. Esta lavadora ha sido puesta a prueba para la instalación en espacios de 0" (0 mm) en los costados. Considere dejar más espacio para facilitar la instalación y el servicio técnico, así como espacio para electrodomésticos que la acompañen y espacios libres para las paredes, puertas y molduras del piso. Agregue un espacio adicional de 1" (25 mm) en todos los lados de la lavadora para reducir la transferencia de ruido. Si se instala una puerta de clóset o tipo persiana, es necesario que tenga aberturas para el aire en la parte superior e inferior de la puerta.

Sistema de desagote

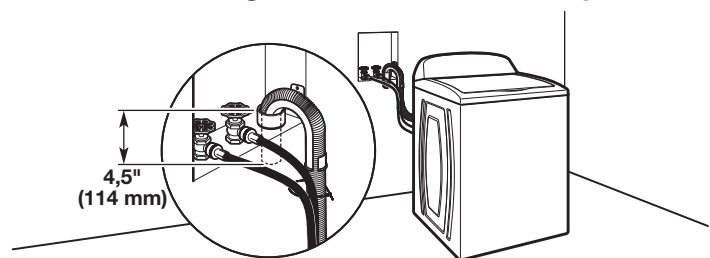
El sistema de desagote se puede instalar utilizando un desagote de piso, tubo vertical de pared, tubo vertical de piso o tina de lavadero. Seleccione el método que necesita.

Sistema de desagote de tubo vertical de piso



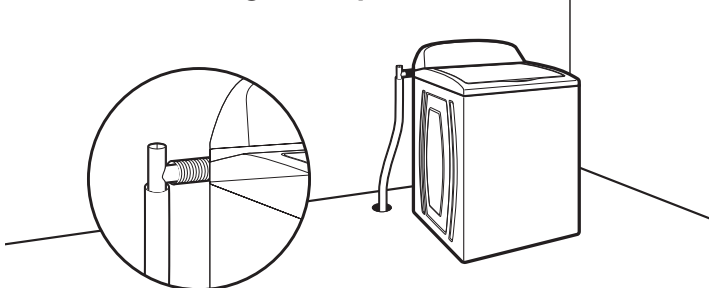
Diámetro mínimo para el desagote de tubo vertical: 2" (51 mm). Capacidad de desplazamiento mínima: 17 gal. (64 L) por minuto. La parte superior del tubo vertical debe estar a 39" (990 mm) de altura como mínimo; instálela a no más de 96" (2,44 m) de la base de la lavadora. Si debe instalar a más de 96" (2,44 m), necesitará un sistema de bomba de sumidero.

Sistema de desagote de tubo vertical de pared



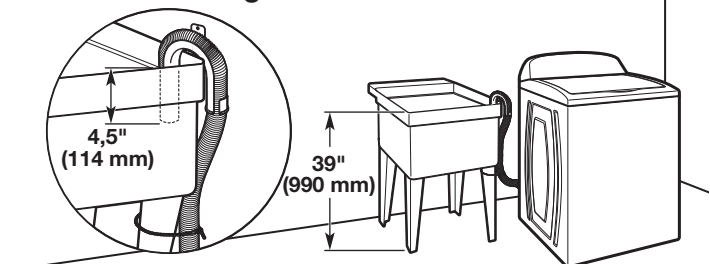
Vea los requisitos para el sistema de desagote de piso de tubo vertical.

Sistema de desagote de piso



Un sistema de desagote de piso requiere de un juego de desviación de sifón (pieza número 285834), 2 juegos de conectores (pieza número 285835) y una manguera de desagote de extensión (pieza número 285863), que puede comprarse por separado. Para hacer un pedido, consulte los números gratuitos en la sección "Ayuda o servicio técnico". Desviación de sifón mínima: 28" (710 mm) de la base de la lavadora. (Se pueden necesitar mangueras adicionales.)

Sistema de desagote de tina de lavadero



Capacidad mínima: 20 gal. (76 L). La parte superior de la tina de lavadero debe estar a 39" (990 mm) del piso como mínimo; instálela a no más de 96" (2,44 m) de la base de la lavadora.

IMPORTANTE: Para evitar el efecto de sifón, no debe haber más de 4,5" (114 mm) de manguera de desagote dentro del tubo vertical o debajo de la parte superior de la tina de lavado. Ajuste la manguera de desagote con la atadura para cables.

Requisitos eléctricos

⚠ ADVERTENCIA



Peligro de Choque Eléctrico

Conecte a un contacto de pared de conexión a tierra de 3 terminales.

No quite la terminal de conexión a tierra.

No use un adaptador.

No use un cable eléctrico de extensión.

No seguir estas instrucciones puede ocasionar la muerte, incendio o choque eléctrico.

- Se requiere un suministro eléctrico de 120 V, 60 Hz., CA solamente, con fusibles de 15 o 20 A. Se recomienda un fusible retardador o un disyuntor. Asimismo se recomienda usar un cortacircuitos independiente que preste servicio únicamente a este aparato.
- Esta lavadora viene equipada con un cable eléctrico que tiene un enchufe de 3 patas con conexión a tierra.
- Para reducir al mínimo el peligro de posibles choques eléctricos, el cable debe estar enchufado en un tomacorriente de 3 terminales, conectado a tierra de acuerdo con los códigos y las ordenanzas locales. Si no hay disponible un tomacorriente equivalente, es responsabilidad y obligación personal del cliente el hacer instalar un tomacorriente debidamente conectado a tierra por un electricista calificado.
- Si los códigos lo permiten y se emplea un cable de conexión a tierra separado, se recomienda que un electricista calificado determine si la trayectoria de descarga a tierra es adecuada.
- No conecte la descarga a tierra a un tubo de gas.
- Si no está seguro de que la conexión a tierra de la lavadora sea la adecuada, verifíquela con un electricista competente.
- No coloque un fusible en el circuito neutro o de conexión a tierra.

INSTRUCCIONES PARA LA CONEXIÓN A TIERRA

Para una lavadora conectada a tierra con cable eléctrico:

Esta lavadora debe conectarse a tierra. En caso de funcionamiento defectuoso o avería, la conexión a tierra reducirá el riesgo de choque eléctrico al proporcionar una vía de menor resistencia para la corriente eléctrica. Esta lavadora viene equipada con un cable eléctrico que tiene un conductor de conexión a tierra del equipo y un enchufe con conexión a tierra. El enchufe debe conectarse en un contacto de pared apropiado que haya sido debidamente instalado y conectado a tierra de conformidad con todos los códigos y ordenanzas locales.

ADVERTENCIA: La conexión incorrecta de la terminal de conexión a tierra del equipo puede ocasionar un riesgo de choque eléctrico. Consulte con un electricista o técnico en reparaciones calificado si tiene duda alguna en cuanto a la conexión a tierra correcta del electrodoméstico.

No modifique el enchufe provisto con el electrodoméstico. Si éste no encaja en el contacto de pared, pida a un electricista calificado que le instale un contacto de pared apropiado.

Para una lavadora con contacto eléctrico permanente:

Esta lavadora debe estar conectada a un sistema de cableado de metal permanente, conectado a tierra, o se debe tender un conducto para la conexión a tierra del equipo con los conductores de circuito y conectado a la terminal de tierra del equipo o al conductor de suministro del electrodoméstico.

INSTRUCCIONES DE INSTALACIÓN

⚠️ ADVERTENCIA

Peligro de Peso Excesivo

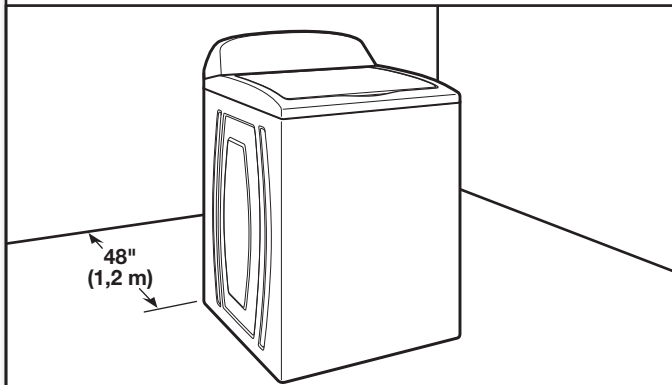
Use dos o más personas para mover e instalar la lavadora.

No seguir esta instrucción puede ocasionar una lesión en la espalda u otro tipo de lesiones.

Antes de comenzar: Retire los materiales de transporte.

Es necesario quitar todos materiales de transporte para obtener un funcionamiento adecuado y para evitar el ruido excesivo de la lavadora.

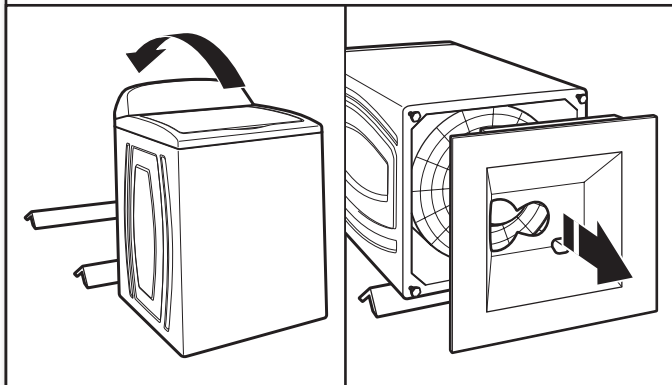
1. Mueva la lavadora



Mueva la lavadora a 4 pies (1,2 m) de su ubicación final; debe estar en posición vertical.

NOTA: Para evitar daños en el piso, coloque la lavadora sobre un cartón antes de moverla y asegúrese de que la tapa esté cerrada con cinta adhesiva.

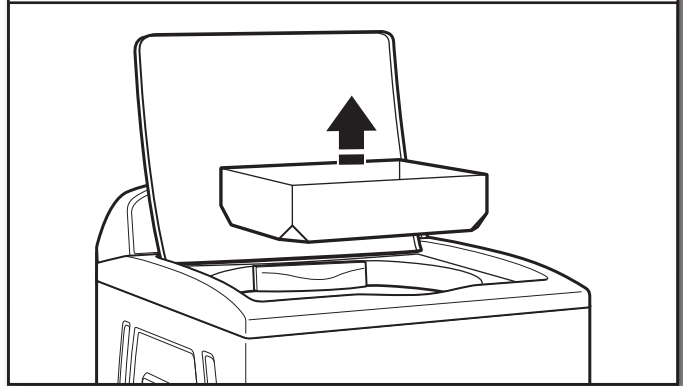
2. Saque la base de transporte



Para evitar dañar el piso, coloque soportes de cartón hechos con el cartón del embalaje en el piso debajo de la lavadora. Incline la lavadora hacia atrás y colóquela sobre los soportes de cartón. Retire la base del envío. Deje la lavadora en posición vertical.

IMPORTANTE: Para un funcionamiento adecuado es necesario quitar la base de transporte. Si su lavadora incluye un aislador de sonido, consulte las instrucciones incluidas con el aislador de sonido para instalarlo en este momento.

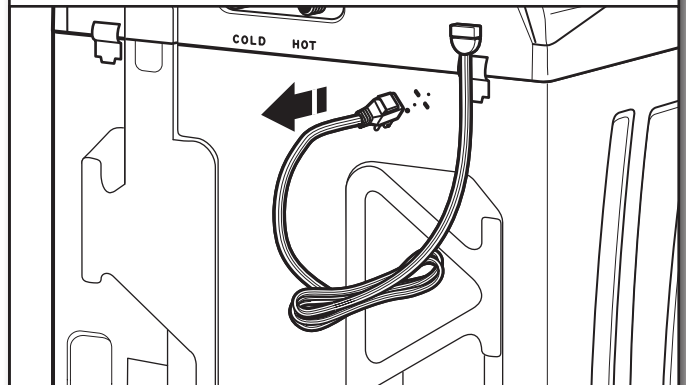
3. Saque la bandeja de empaque de la tina



Quite la cinta adhesiva de la tapa de la lavadora, abra la tapa y saque la bandeja de empaque de cartón de la tina. Retire todos los demás materiales de empaque de la tina de la lavadora. Asegúrese de retirar todas las piezas de la bandeja.

NOTA: Guarde la bandeja por si necesita mover la lavadora más tarde.

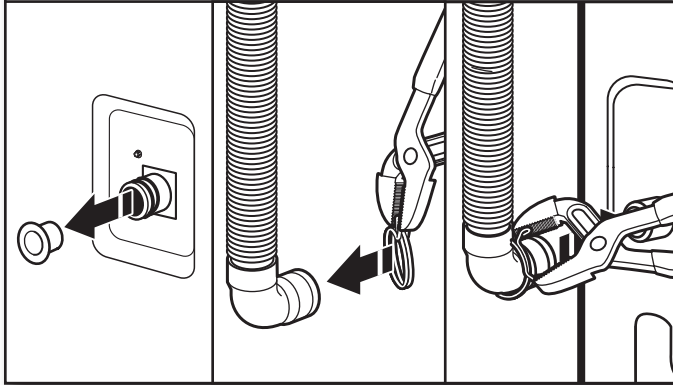
4. Libere el cable eléctrico



Sujete con firmeza el cable eléctrico y tire para liberarlo por completo del panel posterior. Coloque el cable eléctrico con cuidado sobre la consola para permitir un acceso sin obstrucciones a la parte posterior de la lavadora.

Conecte la manguera de desagote

5. Sujete la manguera de desagote al puerto de desagote



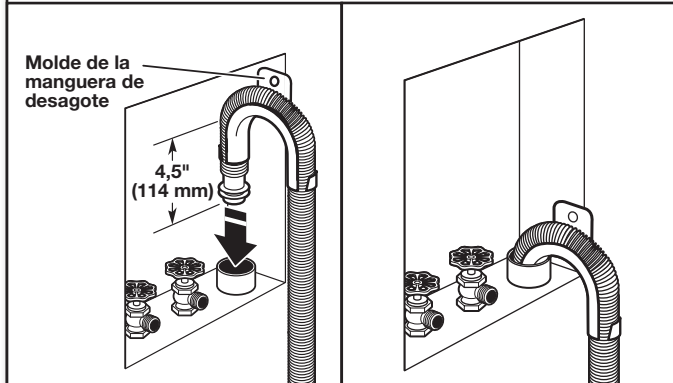
Retire el tapón rojo de plástico del puerto negro de desagote que se encuentra en la parte posterior de la lavadora.

Si la abrazadera no está en su lugar, sobre el extremo del codo de la manguera de desagote, deslícela sobre el extremo como se muestra. Apriete la abrazadera con unas pinzas y deslice el extremo de la manguera de desagote con el codo negro sobre el puerto de desagote negro. Asegúrelo con la abrazadera.

Para una tina de lavandería o una tubería vertical, vaya al paso 6.

Para el desagote de piso, quite el molde de la manguera de desagote preinstalado como se indica en el Paso 7. Puede ser que necesite piezas adicionales con instrucciones por separado. Consulte la sección "Herramientas y piezas".

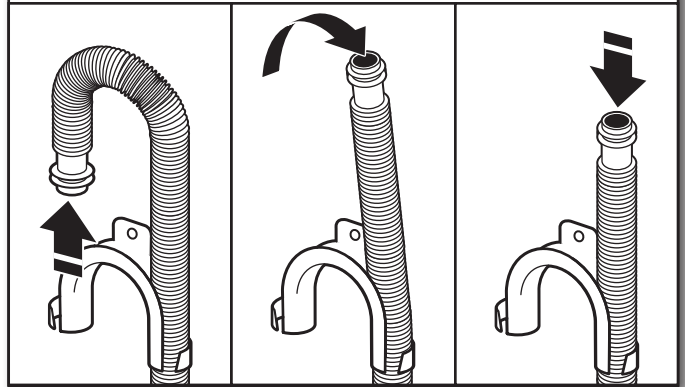
6. Coloque la manguera de desagote en el tubo vertical



Coloque la manguera dentro del tubo vertical (se muestra en la ilustración) o sobre el lado de la tina de lavadero.

IMPORTANTE: Deberá haber 4,5" (114 mm) de manguera de desagote dentro del tubo vertical; no fuerce el exceso de la manguera dentro del tubo vertical, ni lo coloque en el fondo de la tina de lavadero. Se debe usar el molde de la manguera de desagote.

7. Saque el molde de la manguera de desagote (solo para instalaciones con desagote por piso)



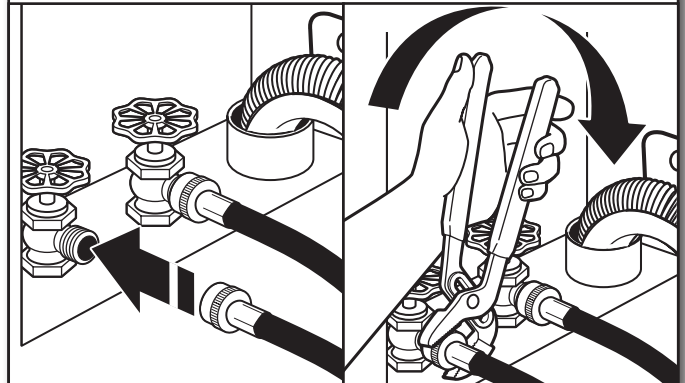
Para las instalaciones con desagote por el piso, necesitará quitar el molde de la manguera de desagote del extremo de la misma. Puede ser que necesite piezas adicionales con instrucciones por separado. Consulte la sección "Herramientas y piezas".

Conexión de las mangueras de entrada

La lavadora debe estar conectada a los grifos de agua con mangueras de entrada nuevas y arandelas planas (no provistas). No use mangueras viejas.

NOTA: Deberán sujetarse ambas mangueras y tener flujo de agua a las válvulas de entrada. Si solo va a conectar un grifo de agua fría, deberá utilizar un adaptador en Y (no provisto).

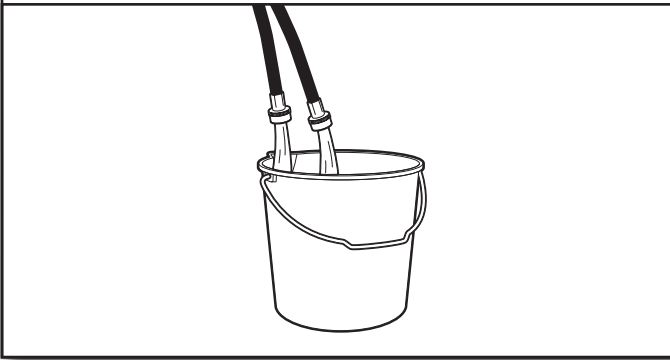
8. Conecte las mangueras de entrada a los grifos de agua



Conecte la manguera al grifo de agua caliente. Enrosque el acoplamiento con la mano hasta que quede asentado en la arandela. Use pinzas para apretar los acoplamientos dos tercios de vuelta adicionales. Repita este paso con la segunda manguera para el grifo de agua fría.

IMPORTANTE: No apriete en exceso ni use cinta o selladores en la válvula cuando la sujete a los grifos o a la lavadora. Se pueden producir daños.

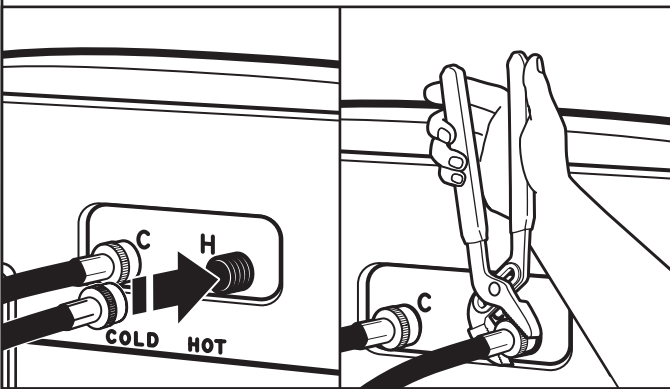
9. Vacíe las líneas de agua



Deje correr agua por algunos segundos por las mangueras, a una tina de lavadero, tubo de desagote o cubeta para evitar que se obstruya. El agua debe correr hasta que salga limpia.

Para ayudar a conectar las mangueras a la lavadora correctamente, tome nota de cuál de las mangueras está conectada al agua caliente.

10. Conecte las mangueras de entrada a la lavadora

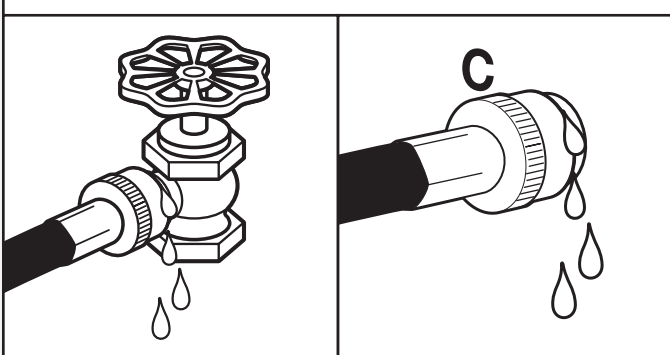


Conecte la manguera de agua caliente a la válvula de entrada de agua caliente, marcada con un aro rojo. Enrosque el acoplamiento a mano hasta que quede firme. Use pinzas para apretar los acoplamientos dos tercios de vuelta adicionales. Repítalo con la válvula de entrada del agua fría.

IMPORTANTE: Para reducir el riesgo de falla de las mangueras, reemplácelas cada cinco años. Para consultas futuras, anote en las mangueras la fecha de instalación o la fecha de reposición.

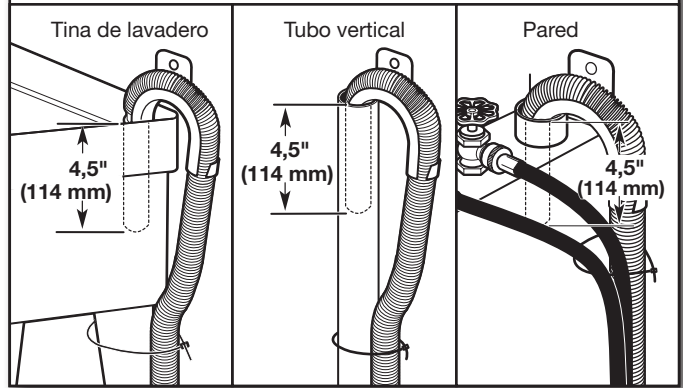
- Inspeccione periódicamente y reemplace las mangueras si aparecen bultos, torceduras, cortaduras, desgaste o filtraciones de agua.

11. Revise si hay fugas



Abra los grifos del agua para revisar si hay fugas de agua. Es posible que entre a la lavadora una pequeña cantidad de agua, que se desaguará más tarde.

12. Asegure la manguera de desagote

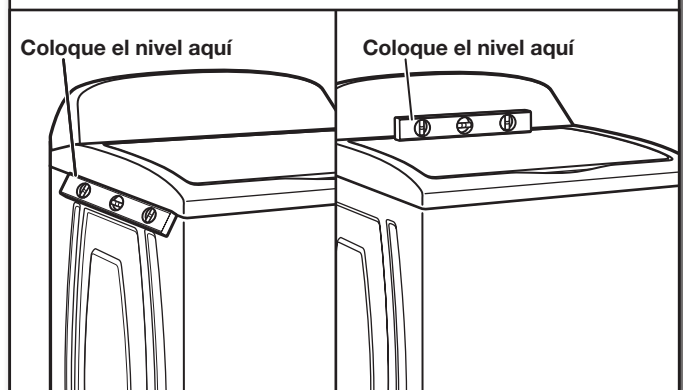


Asegure la manguera de desagote a la pata de la tina del lavadero, al tubo vertical de desagote o a las mangueras de entrada para el tubo vertical de pared, utilizando una atadura de cable.

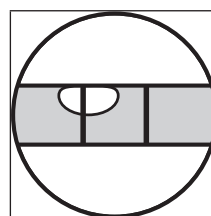
Nivelación de la lavadora

IMPORTANTE: Nivele la lavadora correctamente para reducir el exceso de ruido y vibración.

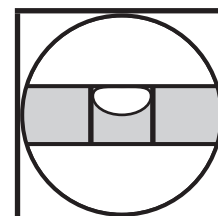
13. Revise la nivelación de la lavadora



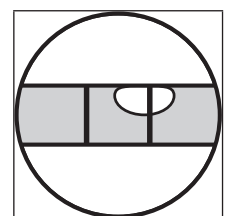
Mueva la lavadora a su ubicación final. Coloque un nivel sobre los bordes superiores de la lavadora. Use la hendidura lateral como una guía para revisar la nivelación de los lados. Revise la nivelación del frente usando la tapa, como se muestra. Balancee la lavadora hacia adelante y hacia atrás para asegurarse de que los 4 pies hagan contacto firme con el piso. Si la lavadora está nivelada, saltee al paso 15.



No está nivelada

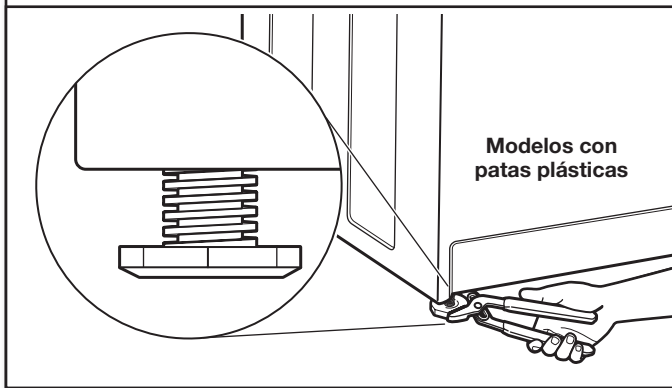


NIVELADA



No está nivelada

14. Ajuste de la patas niveladoras



Si la lavadora no está nivelada:

Use pinzas regulables para girar la pata niveladora de plástico hacia la izquierda para bajar la lavadora o hacia la derecha para levantarla. En todos los modelos revise la nivelación de la lavadora nuevamente y repita el procedimiento según sea necesario.

CONSEJOS ÚTILES:

- Es posible que deba regular dos patas distintas para nivelar la unidad. Asegúrese de que cada pata permanezca fija en la base de la unidad.
- Puede apuntalar el frente de la lavadora aproximadamente 4" (102 mm) con un bloque de madera u objeto similar que sostenga el peso de la lavadora cuando esté haciendo los ajustes.

⚠ ADVERTENCIA



Peligro de Choque Eléctrico

Conecte a un contacto de pared de conexión a tierra de 3 terminales.

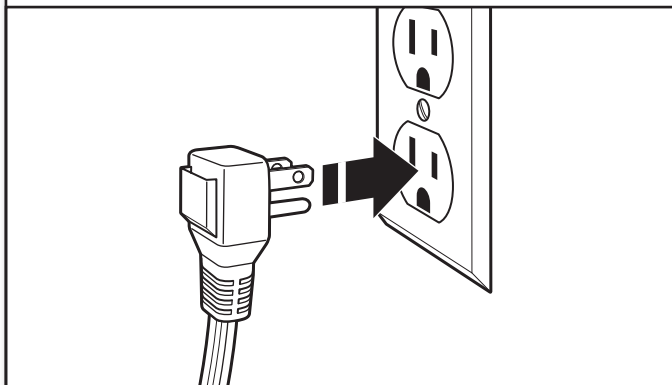
No quite la terminal de conexión a tierra.

No use un adaptador.

No use un cable eléctrico de extensión.

No seguir estas instrucciones puede ocasionar la muerte, incendio o choque eléctrico.

15. Enchufe en un tomacorriente de 3 terminales con conexión a tierra



LISTA DE CONTROL DE LA INSTALACIÓN TERMINADA

- Revise los requisitos eléctricos. Asegúrese de contar con la fuente de electricidad correcta y el método recomendado de conexión a tierra.
- Verifique que todas las piezas estén ahora instaladas. Si sobra alguna pieza, vuelva a revisar todos los pasos para ver qué se omitió.
- Verifique que tenga todas las herramientas.
- Revise que los materiales de transporte se hayan quitado por completo de la lavadora.
- Verifique que la lavadora esté nivelada.
- Verifique que los grifos de agua estén abiertos.
- Verifique si hay fugas alrededor de los grifos y de las mangueras de entrada.
- Quite la película protectora de la consola y la cinta que quede en la lavadora.
- Revise que la lavadora esté conectada en un contacto de 3 terminales con conexión a tierra.
- Deseche o recicle todo el material de embalaje.
- Lea la sección "Cuidado de la lavadora" de este manual.
- Para probar y limpiar su lavadora, mida 1/2 de la cantidad normal recomendada de detergente en polvo o líquido y viértalo en la canasta de la lavadora o en el depósito de detergente (en algunos modelos). Cierre la tapa. Seleccione cualquier ciclo. Ponga en marcha la lavadora y deje que termine un ciclo completo.

MANTENIMIENTO Y CUIDADO DE LA LAVADORA

MANGUERAS DE ENTRADA DE AGUA

Reemplace las mangueras de entrada después de 5 años de uso para reducir el riesgo de que fallen. Inspeccione periódicamente y cambie las mangueras de entrada si encuentra protuberancias, torceduras, cortes, desgaste o fugas de agua.

Cuando reemplace las mangueras de entrada de agua, anote la fecha del reemplazo en la etiqueta con un marcador permanente.

NOTA: Esta lavadora no incluye mangueras de entrada. Para obtener más información, vea el "Manual de instrucciones de instalación y cuidado".

CUIDADO DE LA LAVADORA

Recomendaciones para ayudar a mantener la lavadora limpia y con óptimo rendimiento

1. Use siempre detergentes de alto rendimiento (HE) y siga las instrucciones del fabricante de detergente HE acerca de la cantidad de detergente HE a usar. Nunca use más de la cantidad recomendada, ya que puede acelerar la acumulación de residuos de detergente y suciedad en la lavadora, lo que puede causar un olor no deseado.
2. A veces, use lavados con agua tibia y caliente (no solamente lavados con agua fría), ya que pueden controlar mejor el ritmo en el cual se acumulan la suciedad y el detergente.
3. Deje siempre la tapa de la lavadora abierta entre un uso y otro, para ayudar a que la máquina se termine de secar y evitar la acumulación de residuos causantes de olores.

Limpieza de la lavadora de carga superior

Lea estas instrucciones por completo antes de comenzar el proceso de limpieza de rutina que se recomienda a continuación. El procedimiento de mantenimiento de la lavadora deberá efectuarse como mínimo una vez al mes o cada 30 ciclos de lavado, lo primero que ocurra, para controlar el ritmo de acumulación de suciedad y detergente en la lavadora.

Cómo limpiar el interior de la lavadora

Para mantener la lavadora libre de olores, siga las instrucciones de uso antes detalladas y utilice este procedimiento mensual de limpieza que recomendamos a continuación:

Ciclo Clean Washer (Limpiar la lavadora)

Esta lavadora tiene un ciclo especial que utiliza un mayor volumen de agua, junto con el limpiador para lavadoras affresh® o blanqueador líquido con cloro, para limpiar el interior de la lavadora.

Comience el procedimiento

1. **Procedimiento del ciclo con limpiador para lavadora affresh® (se recomienda para un mejor desempeño):**
 - a. Abra la tapa de la lavadora y saque las prendas o los artículos.
 - b. Coloque una pastilla de limpiador para lavadora affresh® en el fondo de la canasta de la lavadora.
 - c. No coloque la pastilla del limpiador para lavadora affresh® en el depósito del detergente.
 - d. No agregue ningún detergente ni sustancia química a la lavadora cuando siga este procedimiento.
 - e. Cierre la tapa de la lavadora.
 - f. Seleccione el ciclo CLEAN WASHER (Limpiar la lavadora).
 - g. Mantenga presionado el botón START/PAUSE (Inicio/Pausa) para comenzar el ciclo. A continuación se describe cómo funciona el ciclo Clean Washer (Limpiar la lavadora).

CUIDADO DE LA LAVADORA (cont.)

NOTA: Para obtener mejores resultados, no interrumpa el ciclo. Si debe interrumpir el ciclo, toque POWER (Encendido). Una vez que se haya detenido el ciclo Clean Washer (Limpiar la lavadora), ponga en marcha el ciclo RINSE & SPIN (Enjuague y centrifugado) para enjuagar el limpiador de la lavadora.

2. **Procedimiento con blanqueador con cloro (alternativo):**
 - a. Abra la tapa de la lavadora y saque las prendas o los artículos.
 - b. Agregue 1 taza (236 mL) de blanqueador líquido con cloro al compartimiento del blanqueador.

NOTA: Con el tiempo, el uso de una mayor cantidad de blanqueador líquido con cloro de la que se recomienda puede dañar la lavadora.

 - c. Cierre la tapa de la lavadora.
 - d. No agregue ningún detergente ni sustancia química a la lavadora cuando siga este procedimiento.
 - e. Seleccione el ciclo CLEAN WASHER (Limpiar la lavadora).
 - f. Mantenga presionado el botón START/PAUSE (Inicio/Pausa) para comenzar el ciclo. A continuación se describe cómo funciona el ciclo Clean Washer (Limpiar la lavadora).

NOTA: Para obtener mejores resultados, no interrumpa el ciclo. Si debe interrumpir el ciclo, toque POWER (Encendido). Una vez que se haya detenido el ciclo Clean Washer (Limpiar la lavadora), ponga en marcha el ciclo RINSE & SPIN (Enjuague y centrifugado) para enjuagar el limpiador de la lavadora.

Descripción del funcionamiento del ciclo de limpieza de la lavadora (CLEAN WASHER):

1. Este ciclo llenará la lavadora de agua hasta un nivel de agua más alto que los ciclos normales de lavado para enjuagar a un nivel por encima de la línea de agua de un ciclo normal.
2. Durante este ciclo, habrá algo de agitación y centrifugado para eliminar mejor la suciedad.

Una vez que haya finalizado el ciclo, deje la tapa abierta para que haya una mejor ventilación y secado del interior de la lavadora.

Limpieza de los depósitos

Después de usar la lavadora durante cierto tiempo, es posible que encuentre acumulación de residuos en los depósitos. Para quitar los restos de los depósitos, límpielos con un paño húmedo y seque con una toalla. No intente sacar los depósitos ni el borde para la limpieza. Los depósitos y el borde no se pueden desmontar. Si su modelo tiene un cajón de depósito, sin embargo, saque el cajón y límpielo antes o después de poner en marcha el ciclo CLEAN WASHER (Limpiar la lavadora). Use un limpiador multiuso para superficies si es necesario.

Cómo limpiar el exterior de la lavadora

Use un paño suave y húmedo o una esponja para limpiar cualquier derrame. Use sólo limpiadores o jabones suaves para limpiar las superficies externas de la lavadora.

IMPORTANTE: Para evitar dañar el acabado de la lavadora, no use productos abrasivos.

CUIDADO DURANTE PERÍODOS SIN USO Y EN LAS VACACIONES

Ponga a funcionar la lavadora únicamente cuando esté en casa. Si va a mudarse o no va a usar la lavadora durante cierto tiempo, siga esos pasos:

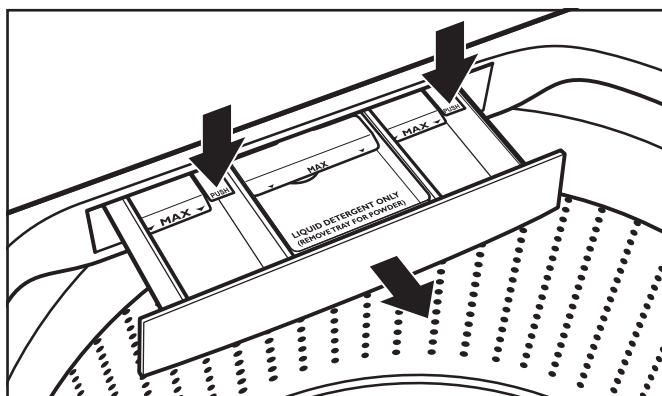
1. Desenchufe o desconecte el suministro de energía a la lavadora.
2. Cierre el suministro de agua a la lavadora para evitar inundaciones debidas a aumentos en la presión del agua.

LIMPIEZA DEL DEPÓSITO (*Varía según el modelo)

Es posible que queden restos de productos de lavandería en el cajón de depósito o en el dosificador automático. Para eliminar los residuos, siga los siguientes procedimientos de limpieza recomendados:

Cajón de depósito

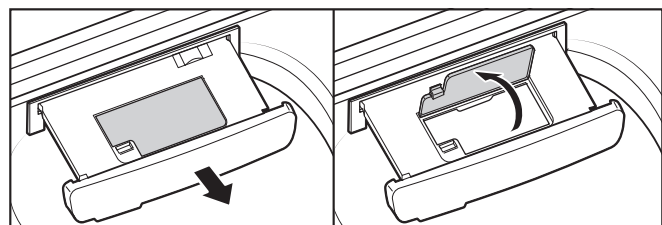
1. Tire el cajón hacia fuera hasta sentir resistencia.
2. Presione dos lengüetas hacia abajo y luego continúe tirando hacia afuera.
3. Lave en agua tibia jabonosa usando un detergente suave.
4. Enjuague con agua tibia.
5. Déjelo secar o séquelo con una toalla, luego vuelva a colocarlo dentro de la ranura.



IMPORTANTE: El cajón de depósito y la bandeja no son aptos para lavavajillas.

Dosificador automático

1. Saque el cajón completamente.
2. Abra la tapa del dosificador.
3. Enjuague con agua tibia.
4. Déjelo secar o séquelo con una toalla, luego vuelva a colocarlo dentro de la ranura.



IMPORTANTE: El dosificador automático y la bandeja no son aptos para lavavajillas.

CUIDADO PARA EL ALMACENAMIENTO DURANTE EL INVIERNO

IMPORTANTE: Para evitar daños, instale y almacene la lavadora en un lugar donde no se congele. Debido a que puede quedar un poco de agua en las mangueras, el congelamiento puede dañar la lavadora. Si va a almacenar o mover la lavadora durante una temporada de temperaturas de congelamiento, acondiciónela para el invierno.

Para acondicionar la lavadora para el invierno:

1. Cierre ambos grifos de agua, desconecte y vacíe las mangueras de entrada de agua.
2. Vierta 1 cuarto (1 L) de anticongelante tipo R.V. en la canasta vacía.
3. Desenchufe la lavadora o desconecte el suministro de energía.

TRANSPORTE DE LA LAVADORA

1. Cierre ambos grifos de agua. Desconecte y vacíe las mangueras de entrada de agua.
2. Si va a trasladar la lavadora durante una temporada de frío riguroso, siga las instrucciones descritas en CUIDADO PARA EL ALMACENAMIENTO DURANTE EL INVIERNO antes de la mudanza.
3. Desconecte la manguera de desagote del sistema de desagote y vacíe el agua restante en una olla o cubeta. Desconecte la manguera de desagote de la parte posterior de la lavadora.
4. Desenchufe el cable eléctrico.
5. Coloque las mangueras de entrada y la manguera de desagote en el interior de la canasta de la lavadora.
6. Pase el cable eléctrico sobre el borde y colóquelo dentro de la canasta de la lavadora.
7. Coloque la bandeja de empaque de los materiales de envío originales nuevamente en el interior de la lavadora. Si no tiene la bandeja de empaque, coloque frazadas o toallas pesadas en la abertura de la canasta. Cierre la tapa y coloque cinta adhesiva sobre la tapa y por el frente de la lavadora. Mantenga la tapa pegada con cinta adhesiva hasta que se coloque la lavadora en su nueva ubicación. Transporte la lavadora en posición vertical.

⚠ ADVERTENCIA



Peligro de Choque Eléctrico

Conecte a un contacto de pared de conexión a tierra de 3 terminales.

No quite la terminal de conexión a tierra.

No use un adaptador.

No use un cable eléctrico de extensión.

No seguir estas instrucciones puede ocasionar la muerte, incendio o choque eléctrico.

CÓMO REINSTALAR O USAR LA LAVADORA NUEVAMENTE

Para reinstalar la lavadora después de la falta de uso, las vacaciones, el almacenamiento durante el invierno o una mudanza:

1. Consulte el “Manual de instrucciones de instalación y cuidado” para ubicar, nivelar y conectar la lavadora.
2. Antes de usar la lavadora nuevamente, póngala a funcionar según el procedimiento recomendado a continuación:

Para volver a usar la lavadora:

1. Deje correr agua por los tubos y las mangueras. Vuelva a conectar las mangueras de entrada de agua. Abra ambos grifos de agua.
2. Enchufe la lavadora o reconecte el suministro de energía.
3. Ponga a funcionar la lavadora en el ciclo BEDDING (Ropa de cama) para limpiarla y para quitar el anticongelante, de haberlo usado. Use solamente un detergente de alto rendimiento (HE). Use la mitad de la cantidad recomendada por el fabricante para una carga de tamaño mediano.