



MODEL NUMBER

MVWHS636BG – 36"W. Wall Hood Slim Design

DESIGN AND INSTALLATION FEATURES

- Style complements Viking RVL cooking products
- Electronic touch controls with blue LED back lighting
- Remote control
- Two LED lights brighten cooking area
- Includes telescopic stainless steel duct cover for up to 10' ceilings
- Optional telescopic stainless steel duct cover available for up to 12' ceilings
- Installs easily in standard size cabinet openings
- Exhausts out the top with a 7" round discharge

CLEANING

- Dishwasher safe commercial baffle filters are easily removed for quick cleaning
- Functional design is easy to clean and eliminates grease traps

QUIET OPERATION

- No unsightly screws to clean around
- Rubber-mounted motor & large, squirrel-cage blower reduce sound and vibration
- 3-speed motor control reduces blower and air movement sound
- Large, oversized filters reduce air movement sound

ENDURING QUALITY

- Internal motor models deliver 390 CFM (code compliant)
- Commercial grade stainless steel
- Two oversized 14" x 15" stainless steel baffle filters improve performance
- Two LED lights brighten cooking area
- Performance tested for CFM



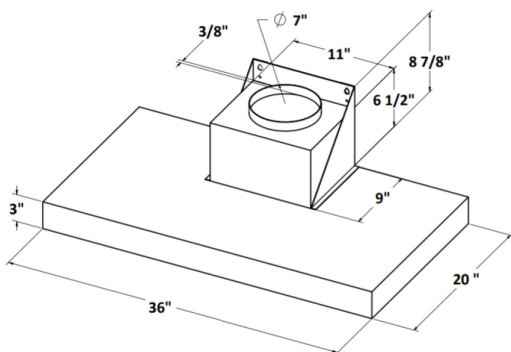
ACCESSORIES

- MVDC636SS – Duct Cover for ceilings 10'-12'

WARRANTY

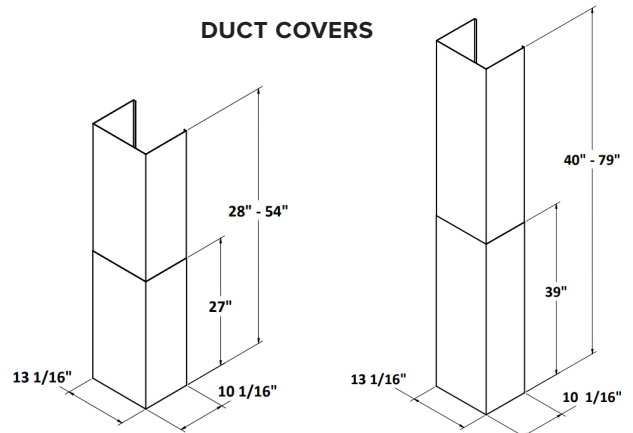
- 2-year full – complete product
- 90-day full – cosmetic parts such as glass, painted items and decorative items
- 5-year limited – ventilator motors

HOOD DIMENSIONS



DIMENSIONS			
Model	Width	CFM	Duct Opening
MVWHS636	36"	390	7"

DUCT COVERS



Standard (shipped with product for ceilings from 8' to 10')

Accessory MVDC636SS (sold separately for ceilings from 10' to 12')

NOTE: Use of duct cover is optional. Unit can be installed alone to be placed under any cabinet.

FIND YOUR LOCAL DEALER AT VIKINGRANGE.COM
FOR PRODUCT INFORMATION, CALL 1-888-845-4641 OR VISIT OUR WEBSITE