

MW 1801

Monolith Wine - Fully Integrated,
panel ready

LIEBHERR

Refrigeration and Freezing



home.liebherr.com



MW 1801

Energy consumption (kWh / y)	150
Sound rating dB(A) ¹	38
Total capacity cu.ft. (l)	8.2 (232)
Max. No. of Bordeaux bottles	75
Number of shelves	9
Shelves on telescopic rails	9
Shelf material	Aluminum / Beech
InfinityBoard	Yes
Electronic control	InfinitySwipe
Refrigerator temperature range °F (°C)	+41°F to +68°F (+5°C to +20°C)
Temperature zones	2
Temperature alarm	Visual and Acoustic
Interior light	InfinityLight
Door alarm	Acoustic
Safety Thermostat	Yes
Activated Charcoal Filter	Yes
Door type	Insulated glass door
Door hinges ²	Left, reversible
Product dimensions	
in inch (H / W / D)	83 3/4" / 17 3/4" / 24 1/16"
in cm (H / W / D)	212.6 / 45 / 61
Cut out dimensions	
in inch (H / W / D)	84" / 18" / 25"
in cm (H / W / D)	213.4 / 45.7 / 63.5
Net weight lbs. (kg)	295.4 (134)
Voltage V / Hz	115/60

¹Noise output - according to EN 60704-3.

²Please contact your Liebherr Authorized Dealer for door reversal.

Subject to modification. For up-to-date information, visit home.liebherr.com. Specifications are for planning purposes only. For more detailed information, refer to installation instructions or Design Guide.

Not recommended for installation or use at altitude greater than 5000 feet above sea level.

Accessories

Stainless-steel door panel wine 18"	9901 535
Monolith brushed aluminum square handle	9901 461
Monolith stainless steel round handle	9901 489
Monolith brushed aluminum soft-edge handle	9901 492
Stainless-steel Toe Kick 18"	9901 493
FreshAir Activated Charcoal Filter	9096 342
Reverse door kit	9902 399

Accessories for Side-by-Side installation

Side-by-Side kit (includes wall heater)	9901 428
Other stainless-steel Toe Kicks for Side-by-Side installation, please visit home.liebherr.com/monolith or refer to the accessory section on the Design Guide for more information.	

Features

InfinitySwipe: Intuitive electronic touch-control panel features a full-color 3.5-inch touch & swipe screen that allows you to control every function.

InfinityProtection: To protect wines from high temperature fluctuations, Monolith wine columns utilize two temperature sensors in each compartment to help maintain precise temperatures.

Customized Labeling: Located on each wine shelf trim, erasable labels allow you to identify and customize your wine collection, making sure each bottle is right where you want it.

FreshAir Activated Charcoal Filter: Monolith's FreshAir filter features independent compartment filters which help to protect and preserve wine from contaminants and damaging odors.

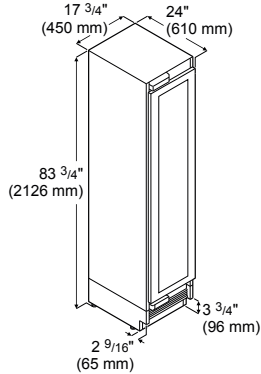
Flexible Shelves on Telescopic Rails: Monolith's flexible shelves allow for custom configurations to hold larger wine and champagne bottles.

InfinityBoard: The unique design of the Monolith wine column features a board that can be pulled out as a temporary shelf to hold bottles while organizing and adding to your wine collection.

This unit is also available as MW 1800 with right door hinges.

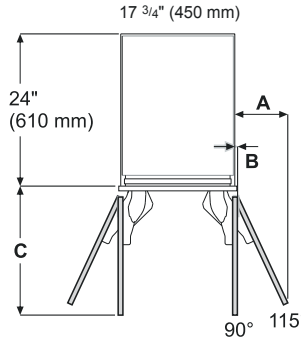
Diagrams

Product Dimensions



IMPORTANT!
Stated minimum height dimensions include when the leveled feet are fully inserted.

Height can be increased by a maximum of 1" (26 mm) by turning the adjustable feet. When the appliance is fitted in the recess, the appliance must be raised by turning the adjustable feet so that the appliance top has contact with the anti-tipping bracket. This results in a 4" (102 mm) Toe Kick height.



Inset

A = 8 1/4" (210 mm)
B = 1/2" (12.5 mm)
C = 19 7/8" (505 mm)

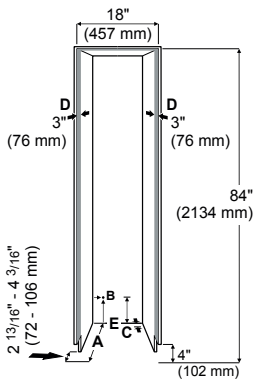
Frameless

A = 8 1/2" (216 mm)
B = 1/2" (12.5 mm)
C = 20 3/8" (517 mm)

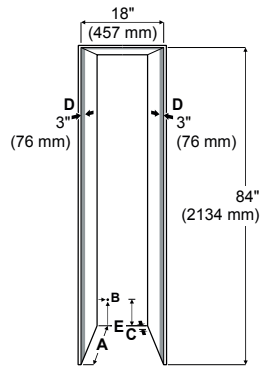
Dimension A = without mounted door handle

Cutout Dimensions

Continuous Toe Kick



Individual Toe Kick



A

Cabinet depth frameless installation style = 25" (635 mm)
Cabinet depth inset installation style = 25" (635 mm) + panel thickness

B

At this point the power cord exits from the appliance rear. 3/4" (19 mm) from the left and 5" (127 mm) from the floor. Free length of the power cord is 98" (2.5 m). We recommend the power outlet to be placed outside of the appliance opening. A 15 or 20A, 110-120 VAC circuit grounded and protected by a circuit breaker or fuse is required.

C

The appliance has a recess in this area for cable and waterline laying. 1" (25 mm) in depth and 5 1/2" (140 mm) in height over the whole width of the appliance.

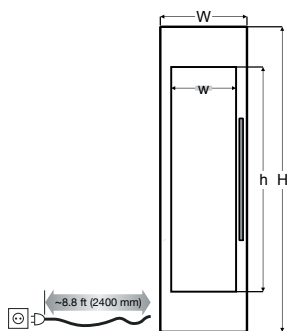
D

This surface is visible when the appliance door is open. Designed finish is required.

E

The anti-tipping bracket is positioned at the base of the appliance and must be secured to the wall or to the floor, please refer to the installation manual for more information.

Door Panel Dimensions and dimensions of free length for power



18" recess

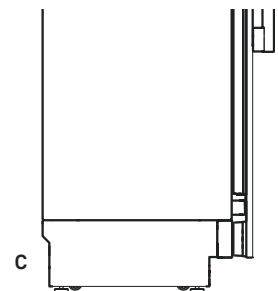
Inset installation style

H = 79 7/8" (2029 mm) / h = 58 7/8" (1495 mm)
W = 17 3/4" (451 mm) / w = 11" (280 mm)

Frameless installation style

H = 80" (2032 mm) Add overlapping dimension to the panel on the top.
W = 18" (457 mm) Add overlapping dimension to the panel on both sides.

Panel thickness: Min. 5/8" (16 mm)* / Max. 1" (25.4 mm)
Panel and handle weight: Max. 52 lbs. (24 kg)



* If a shaker style panel is used, which is thinner than the minimum panel thickness, shorter screws than those supplied in the accessory pack must be used.